



*Rosita Bisani*  
SPECIALTY FOOD SERVICES EQUIPMENT

Rotary Gas-Fired Oven  
Cupola Dome Basic - CB  
FGR150 Morello Forni



**STANDARD FEATURES**

- Gas Cupola Basic Dome Oven with rotating cooking bedplate chamber.
- Constructed from high refractory premium grade alumina.
- Oven walls average 7" thickness with completely sealed wall enclosures.
- Double gas burner system in stainless steel.
- Internal dome burner and under bedplate gas burner system.
- Thermal insulation made of mineral fibre with high insulating properties; minimum 6" from top to bottom requiring 3" clearance to combustible materials.
- INTELTOUCH-MF10 Touch Screen Electronic Control System.
- Independent intuitive digital safety controls.
- Programmable time, speed, temperature and flame control system.
- Optimized performance and large productivity.
- Emergency Stop push button.
- 220/60/1

ITEM:

---

PROJECT:

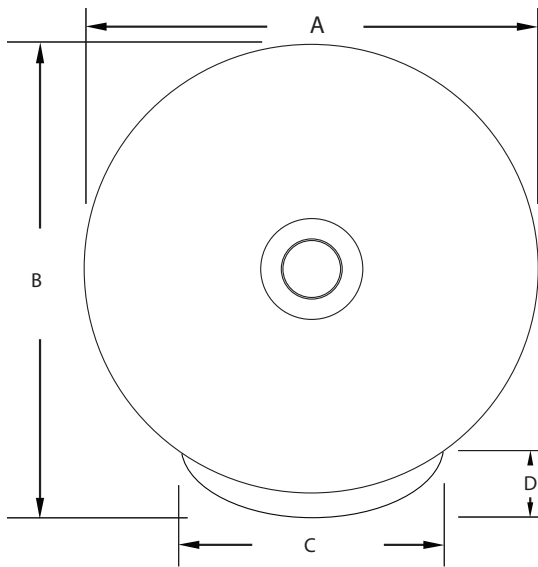
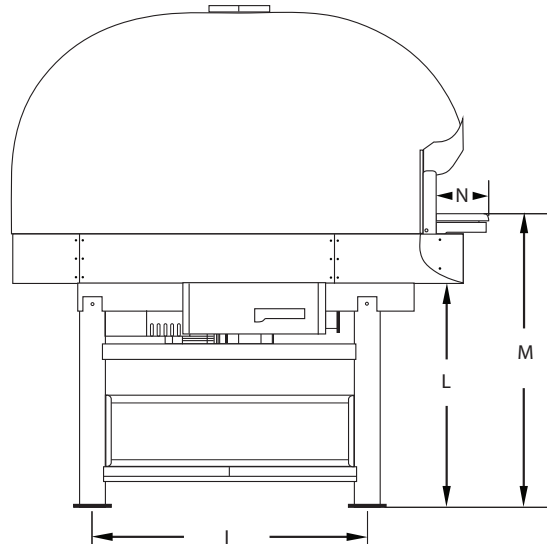
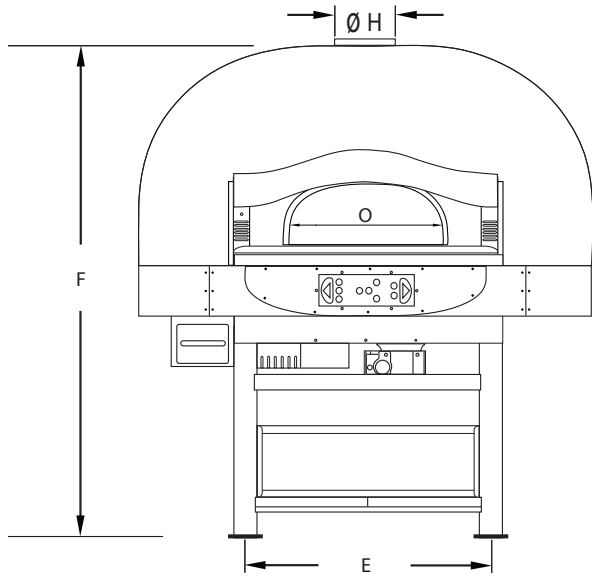
---

DATE:

---

**Rotary Gas-Fired Oven  
Cupola Dome Basic - CB  
FGR150**

# Rotary Gas-Fired Oven Cupola Dome Basic - CB FGR150 Morello Forni



#### FLUE CONNECTION

All ovens are provided with an exhaust flue collar 1/2" or 2 1/2" in height and 8" or 10" nominal diameter depending on model. The flue collar (ØH) is located on oven top to provide a secure connection to the chimney. The oven flue collar is designed to be connected to chimney listed to UL-103HT. When working on gas only ovens, the oven is suitable for connection to Type B Gas Vent when used with the draft hood. When burning wood, an independent Flue evacuation system is required.

#### ELECTRICAL CONNECTION

Verify the power supply has the same rating as the oven.

#### AIR SUPPLY

These ovens require make-up air to replace combustion air and excess air taken out by the flue. Always check for adequate openings to allow required make-up air flow in. Check table included in operations manual.

Model/ Specifications	FGR150 (59)	Cooking Time	
		Capacity	(14) x 11"
Power	220/60/1	Individual Pizza	2 ~ 3 minutes
Gas Fitting (inches)	3/4	Pan Pizza	4 ~ 6 minutes
BTU	169,000		
Weight (lbs.)	6,173		

Model/ Dimension (inches)	A	B	C	D	E	F	ØH	I	L	M	N	O
FGR-150 (59)	83.5	83.5	48	12	45	81	10	49.5	32.5	48	10	29.5



**Rosito Bisani Imports, Inc.**  
940 South La Brea Avenue, Los Angeles CA, 90036  
Tel: 323-937-1888 • Fax: 323-938-0728 • Toll Free: 1-800-848-4444  
E-mail: sales@rosito-bisani.com

[www.rosito-bisani.com](http://www.rosito-bisani.com)

530 South Henderson Road, Suite F, King of Prussia PA, 19406  
Tel: 610-265-5950 • Fax: 888-576-8524

