



Rasita Bisani

SPECIALTY FOOD SERVICE EQUIPMENT

Fork Dough Mixer
FC-60 DUS



STANDARD FEATURES

- Commercial electric fork dough mixer.
- Heavy duty construction.
- Stainless steel frame.
- Stainless steel bowl.
- Dual speed.
- Forked kneading with stainless steel spiral fork.
- Rotating parts on ball bearings.

ITEM:

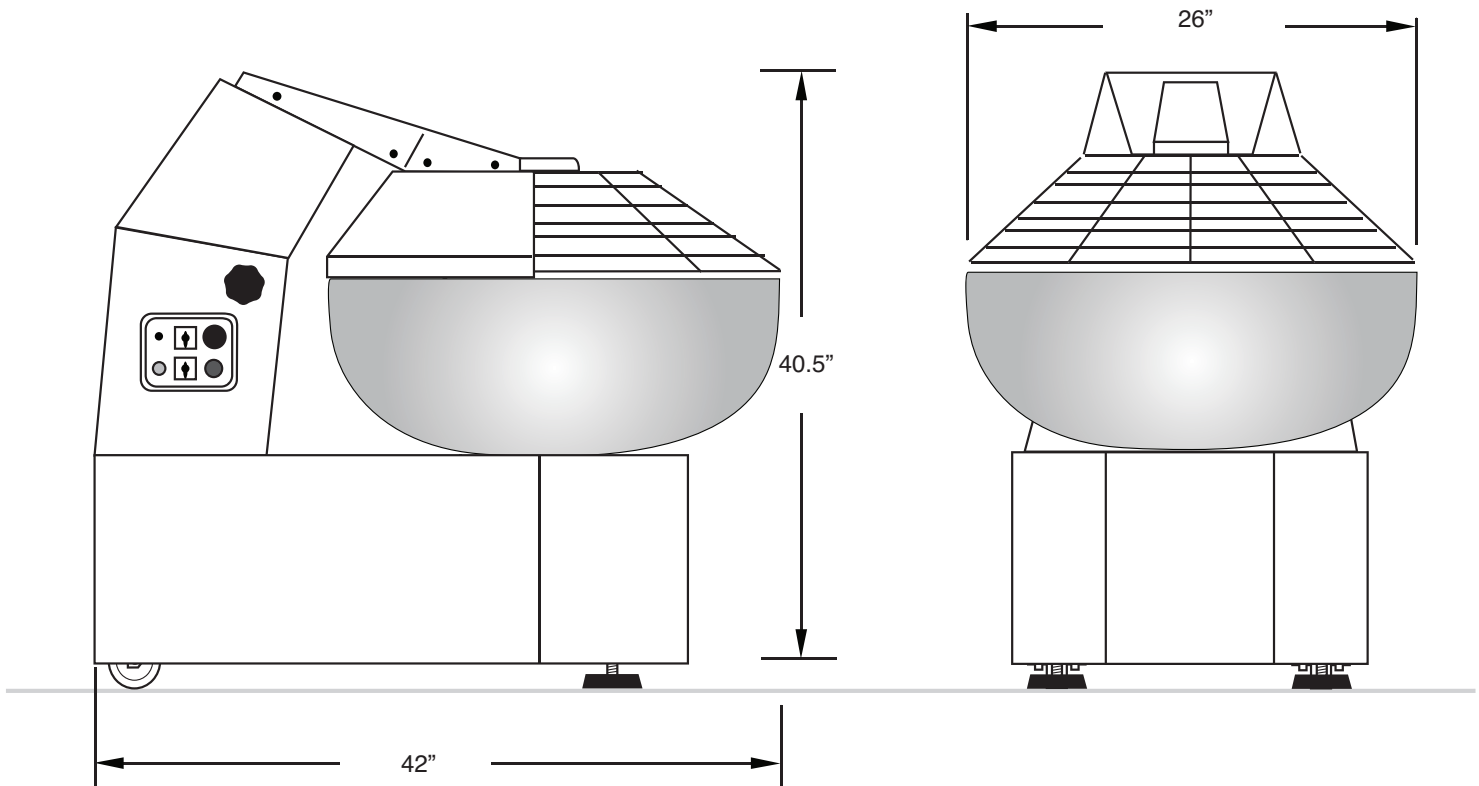
PROJECT:

DATE:

Fork Dough Mixer
FC-60 DUS



Fork Dough Mixer FC-60 DUS



Model	Flour Capacity	Kneading Capacity	Volume Capacity	Dimensions (Inches) WxDxH	Weight	Power V/hz/ph
FC-60 DUS	88 lbs.	132 lbs.	74 qts.	26 x 42 x 40.5	530 lbs.	220/60/3



Intertek

Rosito Bisani Imports, Inc.
 940 South La Brea Avenue, Los Angeles CA, 90036
 Tel: 323-937-1888 • Fax: 323-938-0728 • Toll Free: 1-800-848-4444
 E-mail: sales@rosito-bisani.com
www.rosito-bisani.com

530 South Henderson Road, Suite F, King of Prussia PA, 19406
 Tel: 610-265-5950 • Fax: 888-576-8524



Rosito and Bisani Imports reserve the right to make changes in design specifications and/or to make additional improvements in its products without imposing any obligations upon itself to install them on products previously manufactured. © 2013.