

Item# _____
Project: _____
Qty: _____

Electric Thermostatic Griddles

ETG-16



ETG-24



ETG-30



**ETG-36
(not shown)**

Features

- Heavy duty stainless steel construction
- 4" Heavy duty stainless steel legs adjust from 3½" - 5½"
- 150° - 570° F temperature control
- 3" Steel side and back splash guards
- Fully removable grease pan
- Excellent for quickly preparing foods: Meats, vegetables, eggs, etc.
- Fully welded griddle plate
- Quick heating ½" steel cooking surface (ETG-16 / ETG-24 / ETG-30)
- Heavy duty 1" steel cooking surface (ETG-36)
- Power on and heat indicator lights
- ETL sanitation and CE listed
- 1 Year replacement part only warranty

Serv-Ware



Serv-Ware
www.servware.com

Phone:(800).768.5953

Revised 5/18

Fax:(800).976.1299



Intertek



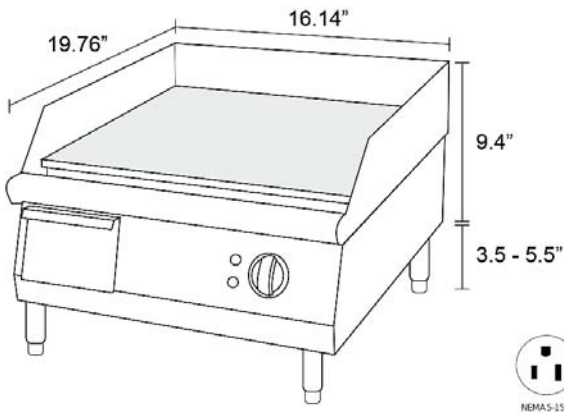
Item# _____

Project: _____

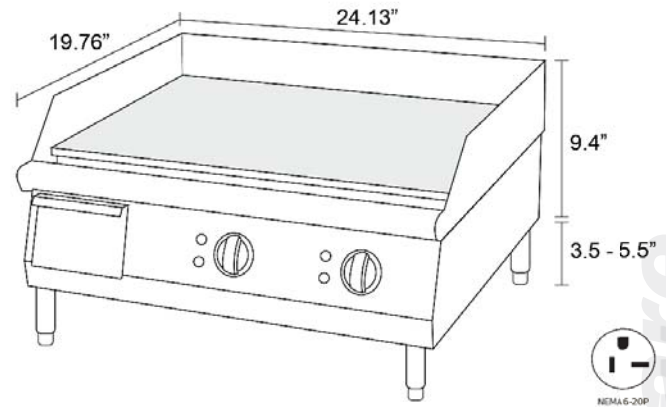
Qty: _____

Electric Thermostatic Griddles

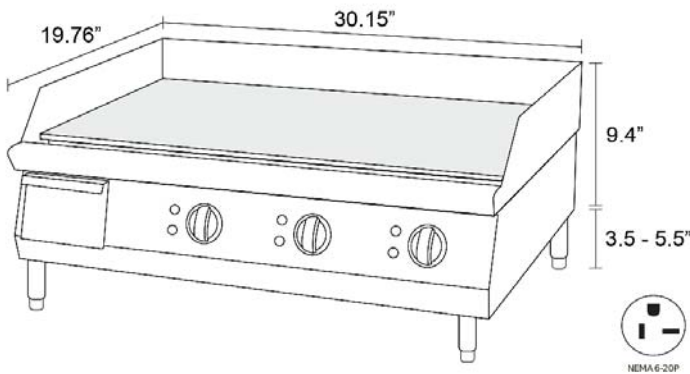
ETG-16



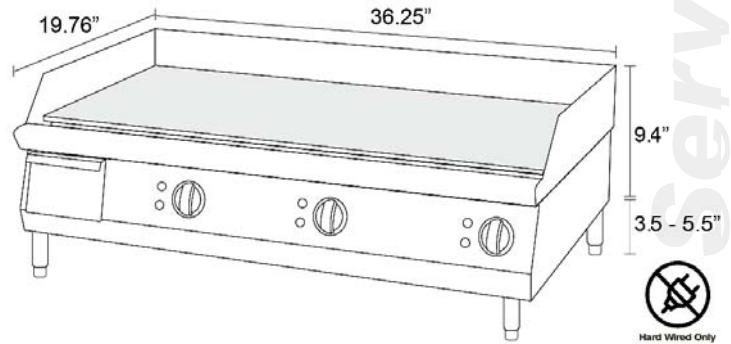
ETG-24



ETG-30



ETG-36



Model	Electrical	Cooking Plate Dimensions (W x D)	Outside Dimensions (W x D x H)	Weight (Shipping)
ETG-16	1750W/120V	16" x 15.5"	16.14" x 19.76" x 9.40"	65 lbs.
ETG-24	3560W/208V	24" x 15.5"	24.13" x 19.76" x 9.40"	92 lbs.
ETG-30	4500W/208V	30" x 15.5"	30.15" x 19.76" x 9.40"	111 lbs.
ETG-36	10,080W/208V	36" x 15.5"	36.25" x 19.76" x 9.40"	144 lbs.



Serv-Ware
www.servware.com
Phone: (800).768.5953

Revised 5/18
Fax: (800).976.1299



Intertek