

Item# _____
Project: _____
Qty: _____

Hot Food Table

EST5-2



Serv-Ware

Features

- Stainless heating elements
- Adjustable stainless steel feet
- Designed to hold pre-cooked foods at safe hot food holding temperature
- 5 independent infinite controls
- 5 Bays, open well accommodates standard size pans (**NOT Included*)
- Includes a 430 series stainless under shelf and a 201 series stainless legs
- Removable cutting board
- 3750w/220-240v
- 6' cord



Serv-Ware
www.servware.com

Phone:(800).768.5953

Fax:(800).976.1299

Revised 11/18



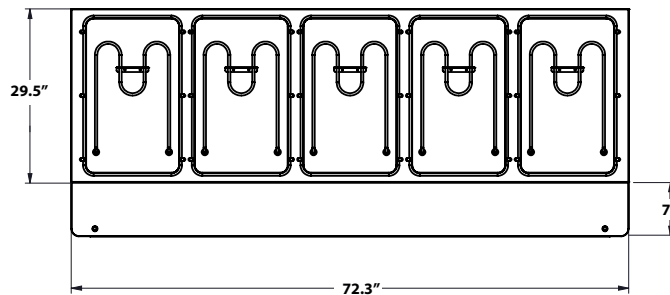
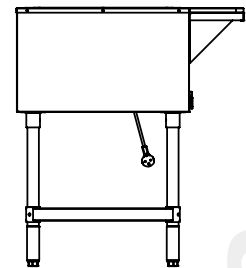
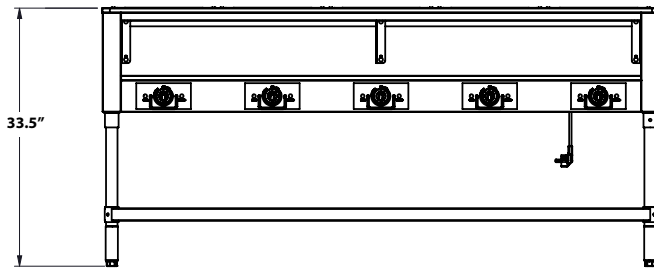
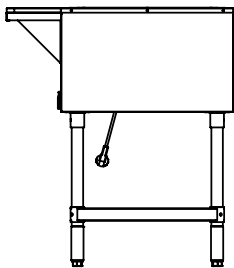
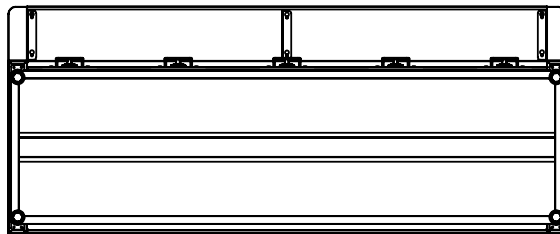
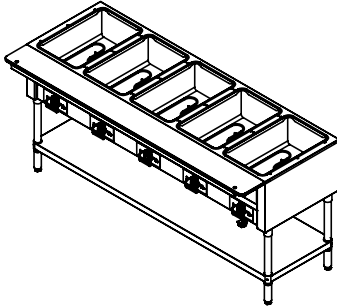
Item# _____

Project: _____

Qty: _____

Hot Food Table

EST5-2



Model

Description

Dimensions

Weight / lbs.

EST5-2

5 Bays, open well hot food table

(H x W x D)

33.5" H X 72.3" W X 29.5" D

(Shipping)

135 lbs.



Serv-Ware
www.servware.com

Phone: (800).768.5953

Fax: (800).976.1299

Revised 11/18

