

Item# _____
Project: _____
Qty: _____

Hot Food Table

EST4-1



Serv-Ware

Features

- Stainless heating elements
- Adjustable stainless steel feet
- Designed to hold pre-cooked foods at safe hot food holding temperature
- 4 independent infinite controls
- 4 Bays, open well accommodates standard size pans (**NOT Included*)
- Includes a 430 series stainless under shelf and a 201 series stainless legs
- Removable cutting board
- 2000w/120v
- 6' cord



Serv-Ware
www.servware.com

Phone:(800).768.5953

Fax:(800).976.1299

Revised 11/18

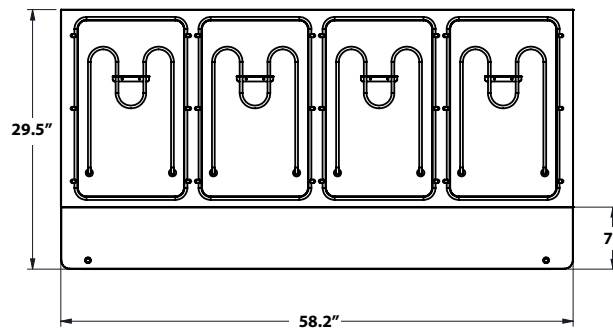
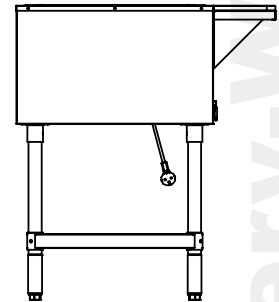
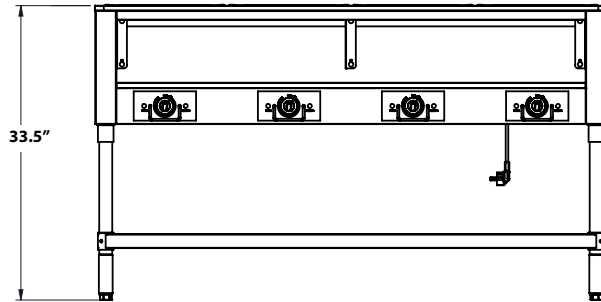
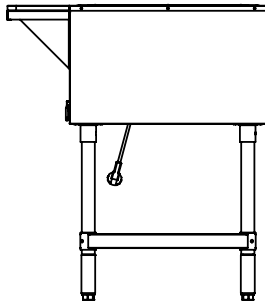
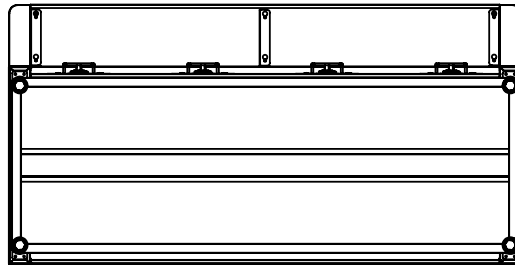
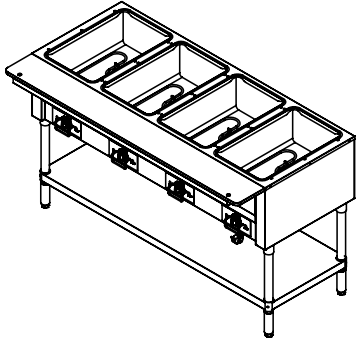
Item# _____

Project: _____

Qty: _____

Hot Food Table

EST4-1



Serv-Ware

Model

Description

Dimensions

Weight / lbs.

(H x W x D)

(Shipping)

EST4-1 4 Bays, open well hot food table 33.5" H X 58.2" W X 29.5" D 108 lbs.



Serv-Ware
www.servware.com

Phone: (800).768.5953

Fax: (800).976.1299

Revised 11/18

