



# VECTAIRE™ Half-Size Electric Convection Oven

Item No. \_\_\_\_\_

Project \_\_\_\_\_

Quantity \_\_\_\_\_

## EK8 Series



Model EK8(O)A

MODEL-DOOR SWING-PAN/RACK GUIDE:							
✓	Model No.	Ovens	Door Swing	Pan Loading	Racks/Positions	Rack Spacing	
						5-racks	9-racks
	EK8(N)A	single	left	Lengthwise	5/9	3-3/8" (86mm)	1-1/2" (38mm)
	EK8(O)A	single	right	Lengthwise	5/9	3-3/8" (86mm)	1-1/2" (38mm)

18" x 13" (457 x 330mm) size pans

### EXTERIOR CONSTRUCTION FEATURES:

- Ball bearing mounted single door
- Double pane thermal viewing window
- Tubular grab-bar handle with insulated comfort grip
- Durable, adjustable door gasket
- Satin finish stainless front, sides, top and back

### CONTROL FEATURES (EACH DECK):

- Power/fan speed control (two speed fan)
- Snap-action electric thermostat with 200-500°F (93-260°C) range
- Power indicator light
- 60-minute electric countdown timer with alarm
- Moisture vent

### AGENCY APPROVALS

- NSF Listed
- UL Listed (ANSI/UL-197)

### SHORT/BID SPECIFICATION

Convection oven(s) shall be a Montague **Vectaire** half-size electric Model [Specify one]:

- EK8(N)A** a single countertop unit with left door swing
- EK8(O)A** a single countertop unit with right door swing

...with three tubular heating elements (per section); a stainless steel oven interior with two speed fan, nine rack positions, five bright nickel racks with rack stops and no-tip guides standard; ball bearing mounted single door with double pane viewing window; plus all the features listed and options/accessories checked:

### OVEN INTERIOR CONSTRUCTION:

- All stainless steel oven interior
- Nine-position bright nickel rack guides
- Five bright nickel pan racks, with rack-stop and no-tip guides standard
- 4" (102mm) of insulation compressed to 2" (51mm) with metal sheathing

### HEATING ELEMENTS & BLOWER SYSTEM:

- Three 2.6-kW heating elements
- Blower with 1/2 horsepower single speed motor



VCO-9 [Rev. 1/13]

Item No. \_\_\_\_\_

Project \_\_\_\_\_

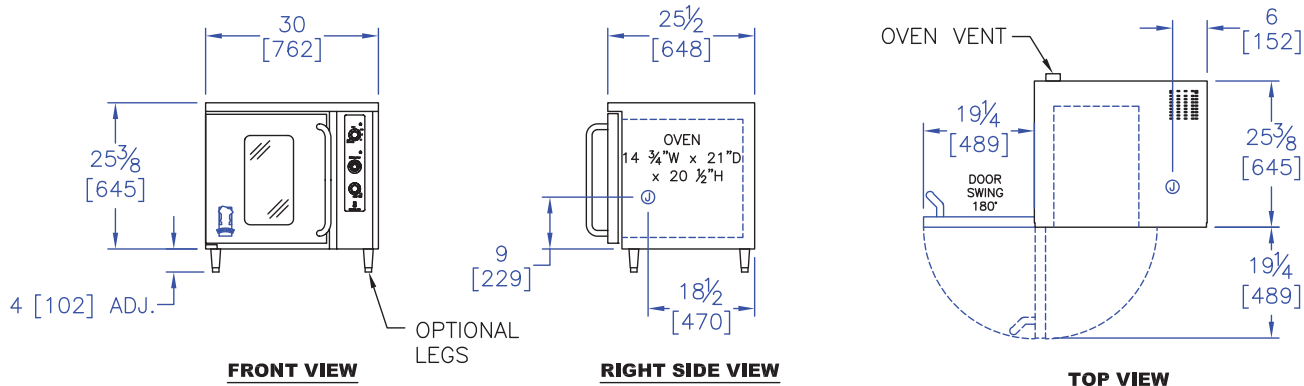
Quantity \_\_\_\_\_

# VECTAIRE™ Half-Size Electric Convection Oven

## EK8

Dimensions in brackets are millimeters

⊙ DENOTES TERMINAL BLOCK FOR FIELD SUPPLY CONNECTION



### OPTIONS GUIDE:

#### Installation Alternatives:

- Set of four 4" (102mm) stainless steel legs

#### Electric, Control & Motor Alternatives:

- Two speed fan motor [208/240]

#### Finish:

- Stainless steel back

#### Racks & Security:

- Extra Racks: \_\_\_\_\_ ea.
- Rack guide for Gastronome Pans GN 1/1
- Solid Doors [in place of windows]
- Security Options [Consult Factory]
- 11-position rack guides
- Stainless Steel Drip Tray

### INSTALLATION REQUIREMENTS & SHIPPING INFORMATION

- Oven must be installed in accordance with local codes or in their absence with the National Electric Code: ANSI/NFPA 70. Compliance with codes is the responsibility of the Owner and Installer.
- An adequate ventilation system is required. Refer to National Fire Protection Association Standard No. 96, "Vapor Removal from Cooking Equipment."
- This appliance is intended for commercial use by professionally trained personnel. NOT intended for Residential Use.

Minimum Clearances	Combustible Construction	Noncombustible Construction
From Back Wall	0"	0"
Left & Right Side*	0"	0"
*With or without 4" (102mm) legs, EK8 Models on non-combustible tables or counters only.		

#### Electric Requirements\* — All Models — Per Oven/Deck

Voltage	Phase	Hz	Total kW	Nominal AMP/Line			Minimum Circuit Capacity
				L1	L2	L3	
208	1	60	7.9	38			48
240	1	60	7.9	33			48
208	3	60	7.9	26	26	24	33
240	3	60	7.9	23	23	21	33

\*Other Voltage/Hz models available. Consult factory.

#### Shipping Information:

Models	Weight	Shipping Class	Cube (Crated) ft <sup>3</sup> /m <sup>3</sup>
EK8 [all]	229lbs (104 kg)	70	15/.4
Entry clearance 26" (660mm) uncrated			

Due to continuous product improvements, specifications are subject to change without notice.



## THE MONTAGUE COMPANY

1830 Stearman Avenue, Hayward, CA 94545  
 800 345-1830 • Fax: 510 785-3342  
 www.montaguecompany.com



VCO-9 [Rev. 1/13]