

Item# _____
Project: _____
Qty: _____

Gas Charbroilers

SCB-24



SCB-36
Not Pictured

SCB-48
Not Pictured

Features

- 35,000 BTUs per burner provide intense heat
- Durable, attractive stainless steel construction
- Front edge is cool to the touch for safe cooking
- Stainless steel U-style burner optimizes heat control & distribution
- Heavy-duty 10-gauge stainless steel radiant for maximum heat distribution
- Cast iron grates can be adjusted for three different grilling positions
 - Perfect for a variety of food on one unit
- Reversible cast iron grates make for varied grill marks
- Easily adjustable pilots with front access for quick lighting
- Back & side splashes offer protection against nasty spills
- Unit serviceable from the front
- Stainless steel legs have adjustable non-skid feet
- Ships ready for natural gas, LP conversion kit included

One Year - Parts & Labor on entire unit. Valid in United States



Serv-Ware
www.servware.com

Phone:(800).768.5953

Revised 2/17

Fax:(800).976.1299



SANITATION
NSF / ANSI4



Serv-Ware

Item# _____

Project: _____

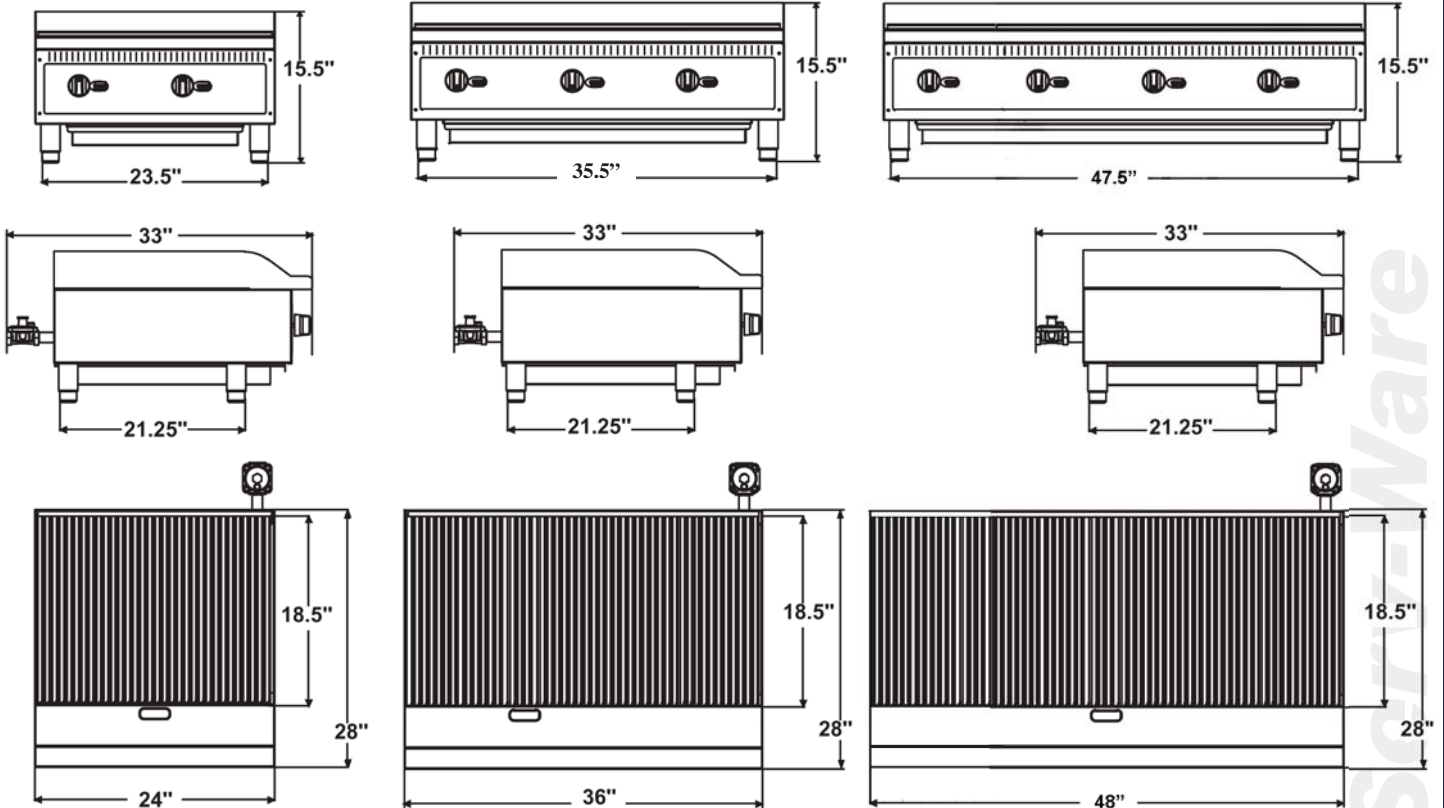
Qty: _____

Gas Charbroilers

SCB-24

SCB-36

SCB-48



Model

Description

Dimensions

Weight / lbs.

SCB-24

2 Burner

(H x W x D)
15.5" x 24" x 33"

(Shipping)
143 lbs.

SCB-36

3 Burner

15.5" x 36" x 33"

209 lbs.

SCB-48

4 Burner

15.5" x 48" x 33"

269 lbs.



Serv-Ware
www.servware.com

Phone: (800).768.5953

Revised 2/17

Fax: (800).976.1299



SANITATION
NSF / ANSI4

