



APR-67-NY 2 DOOR PIZZA PREP TABLE

INCLUDE 3 YEAR PARTS + LABOR / 5 YEAR COMPRESSOR WARRANTY

Dimensions

Exterior Dimensions (WxDxH)	67" x 36.57" x 41.96"
Interior Dimensions Top (WxDxH)	
Interior Dimensions Bottom (WxDxH)	
Cutting Board Dimensions (WxDxH)	
Capacity (cu. ft.)	20.2 cu. ft.
Weight	367 lbs
Packaging Dimensions (WxDxH)	

Construction

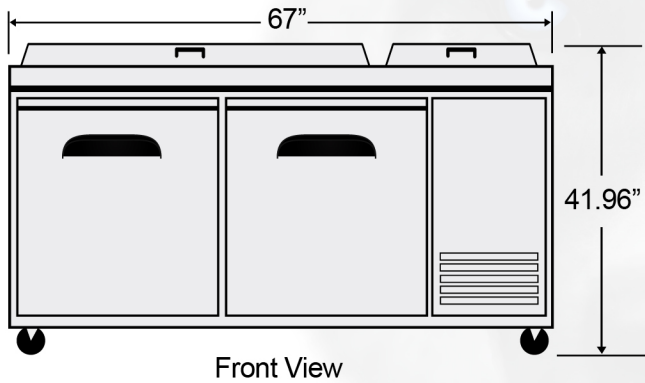
Exterior Material	
Interior Material	
Insulation Material	
Shelf Material	
Shelf Load Capacity	
# Shelves	4

Cooling

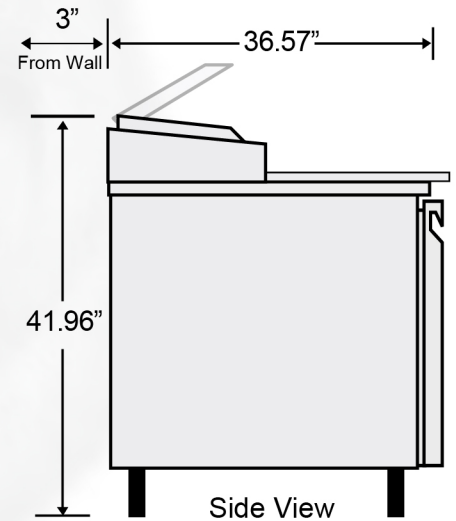
Temperature Range	32° - 41° F
Refrigerant	R290
Maximum Ambient Temperature Rating	
Defrosting	Automatic
Temperature Display	Yes
Temperature Controller	Digital
H/P	3/8

Electrical

Voltage	115
Amps	
Hz	
Phase	



Front View



Side View



Top View

