



## APR-44-NY 1 DOOR PIZZA PREP TABLE

INCLUDE 3 YEAR PARTS + LABOR / 5 YEAR COMPRESSOR WARRANTY

### Dimensions

Exterior Dimensions (WxDxH)	44.4" x 36.57" x 41.96"
Interior Dimensions Top (WxDxH)	
Interior Dimensions Bottom (WxDxH)	
Cutting Board Dimensions (WxDxH)	
Capacity (cu. ft.)	11.3 cu. ft.
Weight	287 lbs
Packaging Dimensions (WxDxH)	

### Cooling

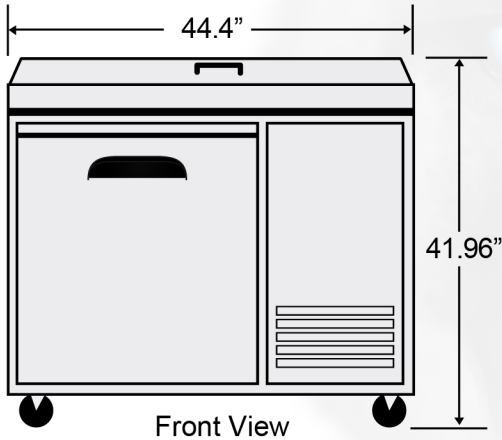
Temperature Range	32° - 41° F
Refrigerant	R290
Maximum Ambient Temperature Rating	
Defrosting	Automatic
Temperature Display	Yes
Temperature Controller	Digital
H/P	3/8

### Construction

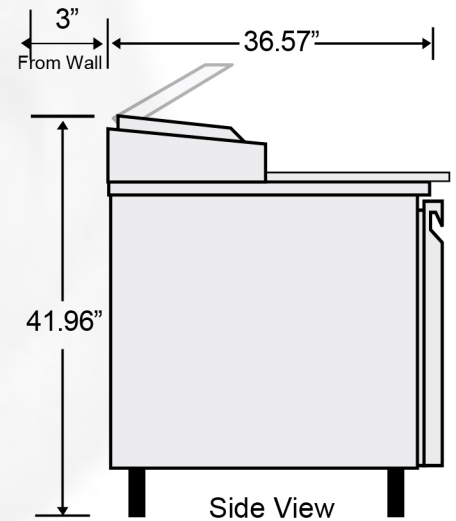
Exterior Material	
Interior Material	
Insulation Material	
Shelf Material	
Shelf Load Capacity	
# Shelves	2

### Electrical

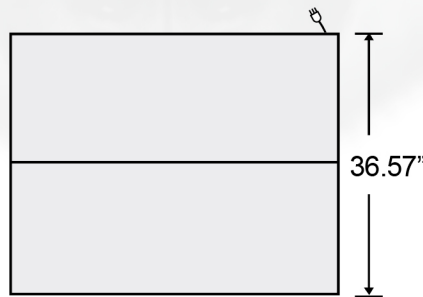
Voltage	115
Amps	
Hz	
Phase	



Front View



Side View



Top View

