



ABC-36 36" BOTTLE COOLER

INCLUDE 3 YEAR PARTS + LABOR / 5 YEAR COMPRESSOR WARRANTY

Dimensions

Exterior Dimensions (WxDxH)	36.77" x 28.46" x 33.43"
Interior Dimensions (WxDxH)	
Weight	128 lbs
Packaging Dimensions (WxDxH)	
Capacity Cans	519
Capacity Bottles	229
Capacity (L)	280

Cooling

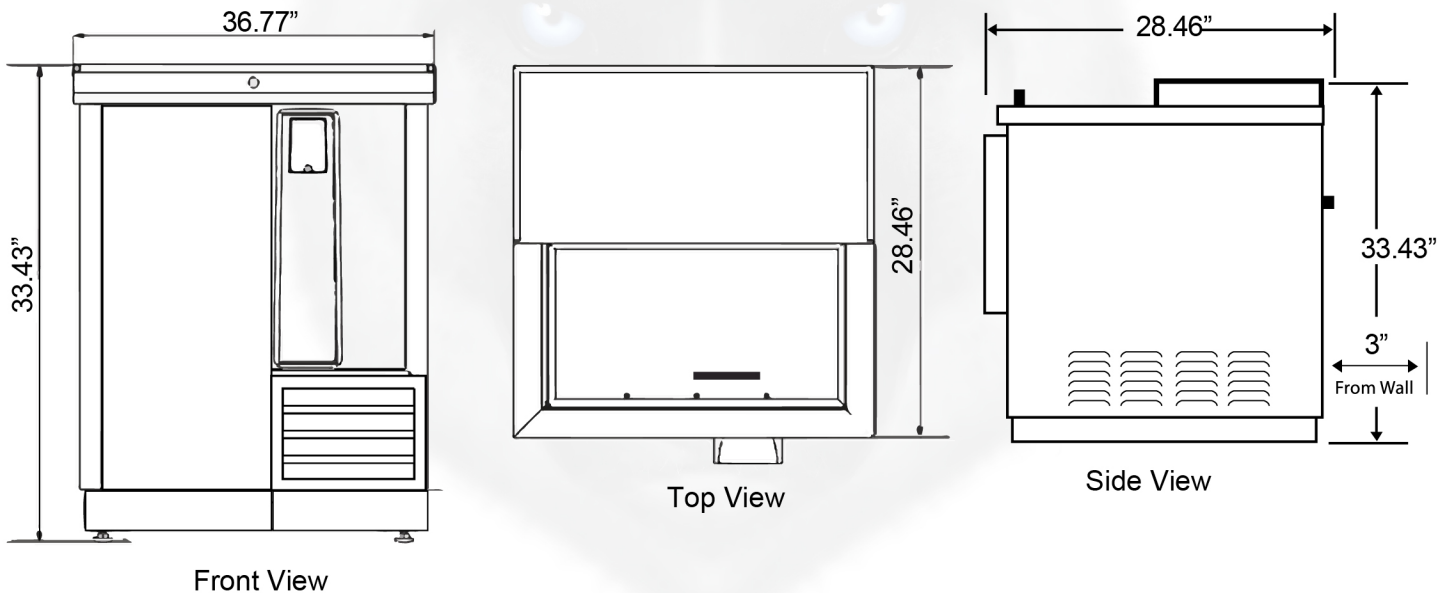
Temperature Range	32° - 41° F
Refrigerant	R290
Maximum Ambient	95° F
Temperature Rating	N Class
Defrosting	Automatic
Temperature Display	No
Temperature Controller	Thermostat
H/P	1/4

Construction

Exterior Material	EGI(Electro Galvanized Iron) + Black Embossed Painting
Insulation Material	Cyclopentane
Shelf Material	SWRM-B + PE Coating
Shelf Load Capacity	Divide
# Shelves	2

Electrical

Voltage	115
Amps	3.0A
Hz	60
Phase	1



Intertek