

MODEL: IRT-MR119EN
**UNDERCOUNTER:
Pizza Prep Tables**

General Strengths

- ✓ **Energy efficiency higher.** R290 refrigerant with electric fans and evaporative tray without electric resistances
- ✓ **Sanitation.** The interior cabinet is built with rounded corners (extensive radius for easy cleaning). Quick ability to take off shelves and slides for interior cleaning. Each cabinet has a drain at the bottom of the unit. When cleaning the unit make sure the drain hose is routed to a floor drain.
- ✓ **Doors & Drawers.** Self-closing door system with permanent pressure. Stay open feature included when door remains open after 95 degrees. All doors include triple chamber door gaskets, easy to remove and snap in.
- ✓ **Control systems.** Greater ability for the adjustment of temperature range as per the end user's requirements.
- ✓ **100% Tested.** All condenser units are 100% tested, in helium chambers for refrigerant leak detections.
- ✓ **Certified.** Audited and Certified by INTERTEK for compliance with UL 471 and NSF 7. AENOR audited and certified by internationally recognized firm. ISO 9001:2015 (Quality); ISO 14001:2015 (Environmental); OSHAS 18001:2007 (Prevention and Worker Safety)



DOE COMPLIANT

MODEL	Dimensions (inches) (mm)			Nº Doors /Pans	Nº Shelves/ Lids	Ref.	Ref. Weight (Lbs.) (gr.)	Temp. Range (°F) (°C)	Capacity (Cu. Ft.) (L)	Cond. Unit. H.P.	Case Amps 115 V.	Crated Weight (Lbs.) (Kg.)
	W	D	H									
IRT-MR119EN	119-1/4	32-5/8	40-3/8	4 / 16	8 / 3	R290	0.29	35°F/41°F	37	3/4	6.9	800
	3030	830	1025									

FTL LISTED TO UL471 STANDARD AND SANITATION CLASSIFIED TO NSF7 - WE RESERVE THE RIGHT TO CHANGE SPECIFICATIONS WITHOUT PRIOR NOTICE

MODEL: IRT-MR119EN

**UNDERCOUNTER:
Pizza Prep Tables**

STANDARD FEATURES

➤ **Exterior**

- AISI 304 Stainless Steel Top,
- AISI 430 Stainless Steel.

➤ **Interior**

- AISI 430 Stainless Steel,
- Internal drain plug for easy cleaning,
- Sealed interior floors and rounded cabinet corners.

➤ **Insulation**

- CFC-Free polyurethane insulation, entire cabinet structure is foamed-in place using a high-density polyurethane insulation,
- Low GWP & Zero ODP effect.

➤ **Doors**

- Polyurethane insulated doors,
- Self closing doors with stay open feature,
- Stainless Steel heavy-duty hinges,
- Triple chamber snap in door gaskets for easy removal and cleaning,
- Field reversible doors,
- Door locks,
- Full-height door opening: 21-5/8"x20-5/8" (550x523 mm).

➤ **Casters**

- 4" diameter casters,
- Locks provided on front set.

➤ **Salad Top**

- Stainless Steel insulated lid,
- Top includes 1/3 size polycarbonate food pans, (16) pans,
- Pan divider bars included,
- Removable sanitary polyethylene cutting board included.

➤ **Shelving**

- (2) Plastic coated wire shelves per section,
- Set of Stainless-Steel shelf brackets,
- Easy remove for cleaning,
- Dimensions WxD: 20-7/8"x25-5/8" (GN 2/1) (530x650 mm),
- Compatible with 18"x26" (457x660 mm) sheet pans.

➤ **Refrigeration**

- Digital temperature controller with automatic defrost system,
- Evaporative pan,
- Forced air refrigeration system,
- Extractable condensing unit for easy service,
- Evaporator coil coated with anti-corrosion material 100% Polyester,
- Refrigeration capacity: 3153 Btu/h (14°F) / 924 W (-10°C).



➤ **Electrical**

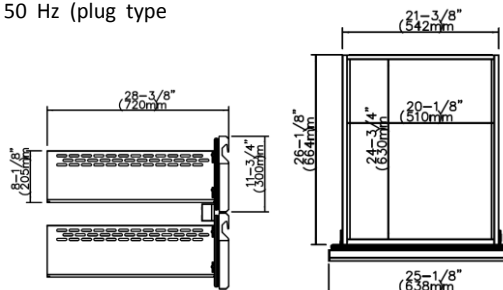
- Cord and NEMA 5-15P plug,
- Electrical connection is 115V / 1ph / 60 Hz.



➤ **ETL Listed to UL471 Standard and Sanitation classified to NSF7.**

OPTIONAL FEATURES

- ✓ Set of 6" legs, height adjustable from 5" to 8",
- ✓ Electrical connection is: 220-230 V / 1ph / 50 Hz (plug type varies),
- ✓ Stainless Steel wire shelves,
- ✓ Additional slide kits,
- ✓ Single Overshelf,
- ✓ Double Overshelf,
- ✓ Drawer kit: 25-1/8"x28-3/8"x11-3/4" (638x720x300 mm).

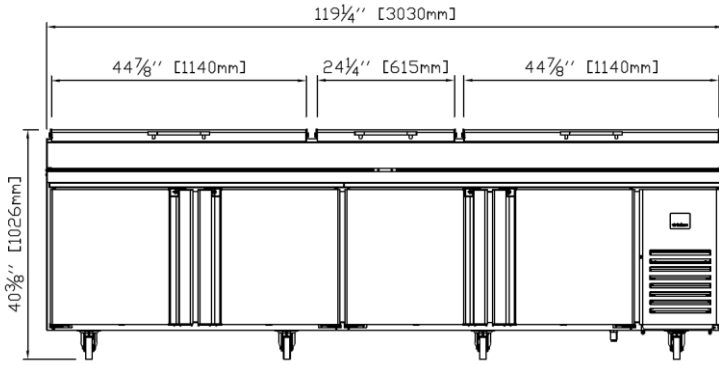


ETL LISTED TO UL471 STANDARD AND SANITATION CLASSIFIED TO NSF7 - WE RESERVE THE RIGHT TO CHANGE SPECIFICATIONS WITHOUT PRIOR NOTICE

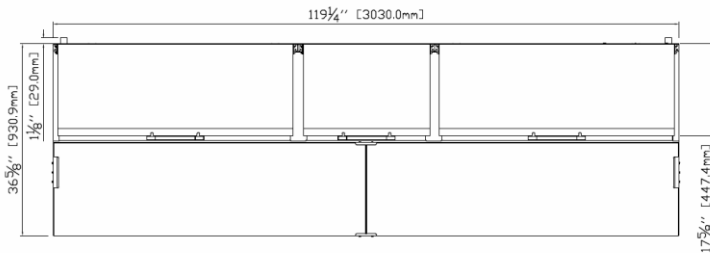
MODEL: IRT-MR119EN **UNDERCOUNTER:**
Pizza Prep Tables

PLAN VIEW

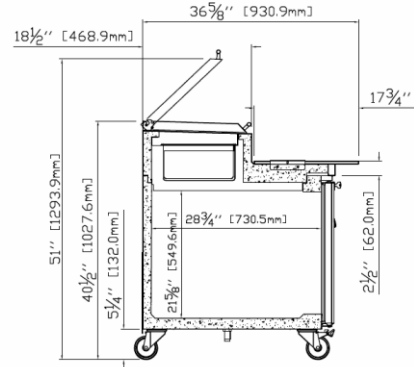
ELEVATION



PLAN VIEW



RIGHT VIEW



FTL LISTED TO UL471 STANDARD AND SANITATION CLASSIFIED TO NSF7 - WE RESERVE THE RIGHT TO CHANGE SPECIFICATIONS WITHOUT PRIOR NOTICE



Infrico USA Corp.
1409 N.W. 84th Avenue
Doral, FL 33126
1.305.777.9599 Office
1.305.777.9598 Fax

www.infrico.us
sales@infrico.com

APPROVALS: _____ AVAILABLE AT: _____