

## STEP 1

### SET UP MOONSHADE®



Start by setting up MoonShade. Next, tie guylines to each corner of MoonShade that is attached to an upright support pole. Stake the guylines away from MoonShade. Guylines placed parallel with the vehicle may help reduce sag in the MoonShade once MoonWall is attached.

NOTE: The long MoonWall can be used in either orientation - it can attach to the long or short side of MoonShade.

## STEP 4

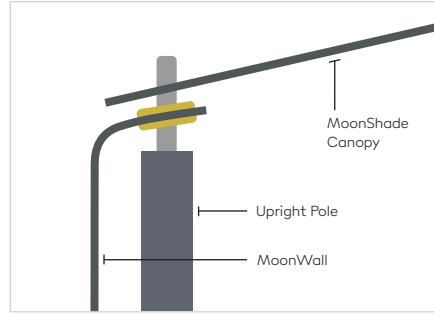
### STAKE & SECURE



Grab one unused stake. Insert the pointed end of the stake into one of the bottom cordage loops of the MoonWall. Choose the desired angle for MoonWall to hang, anywhere between vertical and 45° outward from MoonShade. Secure MoonWall in place by driving the stake into the ground at a 45° angle, until the stake's hook is lodged in the ground. Repeat with an unused stake on the second bottom grommet.

## STEP 2

### CONNECT MOONWALL™ TO MOONSHADE®



Orient MoonWall to match the side where you are installing it. Lift MoonShade canopy off of one upright support pole. Place the appropriate adjustable grommet tab of MoonWall onto the support pole post, and replace MoonShade canopy grommet over MoonWall grommet.

Repeat this on the second corner of MoonWall. Tighten both grommet tabs until MoonWall is taut.

## STEP 5

### TIGHTEN GROMMETS

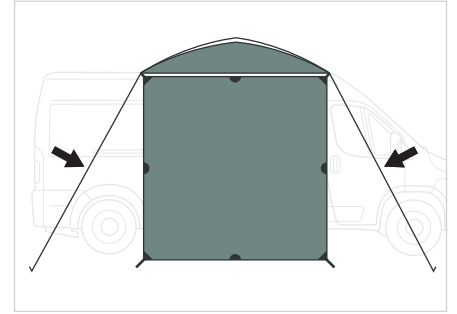


Once both bottom corners of MoonWall are staked, tighten MoonWall's grommet slides until MoonWall is taut. You may need to adjust the position of the stakes to achieve the best position and tautness for MoonWall.

NOTE: MoonWall corners can be secured using other styles of stakes or ground anchors. You may need to add your own cordage to attach alternative ground anchor styles to MoonWall's bottom grommets.

## STEP 3

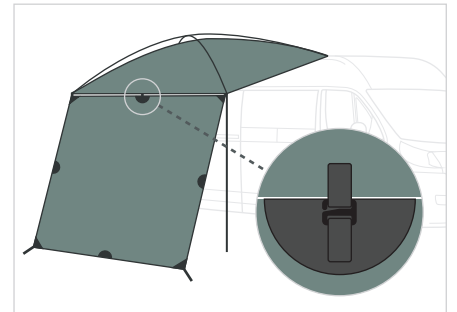
### TIGHTEN MOONSHADE® GUYLINES



If MoonShade begins to dip down after MoonWall is attached, tighten MoonShade guylines.

## STEP 6

### CONNECT G-HOOK



Connect MoonWall's top G-hook to the loop on MoonShade's edge closest to the G-hook for more continuous shade.

## YOUR MOONWALL™ IS SET!

Insert chair and cold beverages.  
Relax and enjoy.

More detailed instructions including videos, set-up tips, and FAQs can be found at [moonfab.com/setup](http://moonfab.com/setup)