

RANGE HOOD Pixie Air™ Series

UQS3001 UQG3002

Use and Care | Installation Guidance P7-P21

CAMPANA EXTRACTORA Serie Pixie Air™

UQS3001 UQG3002

Uso y cuidado | Manual de instalación P31-P46

吸油烟机 Pixie Air™ 灵风系列

UQS3001 UQG3002

使用与保养 | 安装指导 P55-P66

THANK YOU FOR MAKING FOTILE A PART OF YOUR HOME

Thank you for purchasing the series of products elaborately designed and manufactured by FOTILE!

Before use and installation, please read through this manual carefully and follow the instructions as directed. This is of great importance to maintain excellent working conditions of the products and also enables satisfactory experience for you.

It is recommended that you contact FOTILE Service Center any time you need advice, repair or maintenance services so that we can be of service promptly.

FOTILE
Happiness Starts In Your Kitchen!

Table of Contents

Safety Instructions	02
Use and Care	07
Product Specifications	07
Operation Guidance	07
Care and Clean	09
Troubleshooting	11
Customer Services	12
Installation Guidance	13
Safety Instructions	13
Tools and Accessories	16
Specifications	17
Installation Steps	18
CFM Adjustment Technology	21
Explosive View	22

Safety Instructions

To ensure the safe and efficient use of your FOTILE product, please note the highlighted information in the product manual as follows:

- * **Warning:** Indicating a risk of serious bodily injury or death if precautions are not observed.
- * **Notice:** Indicating possible minor personal injury or product damage if instructions are not followed.
- * **Important:** Emphasizing information of critical importance.

Safety Instructions

Please be sure to read these safety instructions before using the product.

Please be sure to properly keep these safety instructions.

This product is for indoor use only.

To avoid any accidental risks and damage to the range hood, please read this product manual carefully before the installation and use. Only in this way can you operate this product safely and correctly and reduce the risks of fire, electric shock, personal injury, etc. Please properly keep this product manual for future use or for subsequent users.

Warning

● Risk of Electric Shock

A defective appliance may cause electric shock. Never switch on a defective appliance. Unplug the appliance from the mains or switch off the circuit breaker in the fuse box in case of problems, and contact our authorized service center.

- The range hood should be connected to a standard power socket with safe grounding. Midway connection, prolonged electric line or multi-socket wiring may cause electric shock, overheating and, in some cases, result in a fire. Installation of the range hood should be performed by professional electricians in strict accordance with electricity standards and regulations of the local area. Before connecting the rod, turn off the power source and take appropriate measures to prevent auto closing of the power switch.
- In order to prevent electric shock and/or other bodily injuries to persons, do not exceed 125V AC input.
- Do not install the range hood in a bathroom and/or a humid area, as this will significantly increase the risk of electric shock.
- If a wire is damaged or defective, contact an authorized service provider or a qualified technician (provided by FOTILE) to replace the wire.
- Do not change, stretch, knot, pressure or squeeze the wire as any resulting damage can result in electrical and/or fire hazards.
- Prevent water from coming into contact with the range hood's electrical components, such as the motor, switch and connector. Do not rinse the appliance with water. Do not use the appliance if it is

wet, as electric leakage and/ or electric shock may occur.

- Do not attempt to change the range hood's internal wiring system. Improper modifications and/or repairs to the internal wiring can result in bodily injuries to persons, electric shock and/or a fire.
 - In order to avoid electric shock, remember to turn off the appliance's power source before installation, cleaning and/or maintenance service.
 - Avoid using high-pressure detergents and/or steam cleaners on the appliance, as they may result in electric shock.
 - Do not touch the plug or switch with wet hands, as an electric shock may occur.
- #### ● Grounding Instructions
- This appliance must be grounded. In the event of an electrical short circuit, grounding reduces the risk of electric shock by providing an escape wire for the electric current. This appliance is equipped with a cord having a grounding wire with a grounding plug. The plug must be plugged into an outlet that is properly installed and grounded.
 - Improper grounding can result in electric shock.
 - Consult a qualified electrician if the grounding instructions are not completely understood, or if doubt exists as to whether the appliance is properly grounded.
 - Do not use an extension cord. If the power supply cord is too short, have a qualified electrician install an outlet near the appliance.

● Risk of Fire

- In order to reduce the risk of fire and to properly exhaust air, we recommend duct the air outside. Do not vent exhaust air into spaces within walls, ceilings, attics, crawl spaces and/ or garages.
- In order to prevent the risk of fire, the range hood should be operated and maintained in accordance to the instructions.
- Hot oils may ignite and burn quickly. Never leave hot oils unattended.
- Clean the hood's oil cup at regular intervals, as leftover grease deposits may ignite.
- Never operate the range hood without the filter.
- Never work with naked flames close to the appliance. Do not install the appliance near a heat-producing appliance for solid fuel (e.g. wood or coal) .There must be no flying sparks.
- Avoid cooking with food products that produce flames under the range hood.
- To Reduce Risk of Cooktop Grease Fire:
 1. Never leave the burners work unattended. Overflowing cause smoking and greasy spillovers that may ignite. Heat oils slowly on low or medium settings.
 2. Always turn the hood on during cooking.
 3. Cooking grease may stick on the surface of the kitchen floor, cabinet, vent duct, etc. Better clean regularly to avoid fire risk.
 4. Use proper pan size. Always use cookware appropriate for the size of the pan support.
- To Reduce the Risk of Injury to persons in the event of cooktop fire, observe the following:
 1. Smother flames with lid, cookie sheet,

or metal tray, then turn off the burner. Be careful to prevent burns. If the flames do not go out immediately, evacuate and call the fire department.

2. When the cooking utensil catches fire, switch off the range hood immediately. Effective extinguishing measures must be taken at once, such as covering the open flame with metal cover, turning off the master gas valve and keeping flammable substance from the open flame etc.

3. Never pick up a flaming pan—you may be burned.

4. Do not use water, including wet dishcloths or towels—a violent steam explosion will result.

■ Use an Extinguisher Only If:

1. You know you have a class ABC extinguisher and you already know how to operate it.

2. The fire is small and contained in the area where it started.

3. The fire department is being called.

4. You can fight the fire with your back to an exit.

● Risk of Injury

■ This appliance is not intended for use by persons (including children) with reduced physical, sensory or mental capabilities, or lack of experience and knowledge, unless they have been given supervision or instruction concerning use of the appliance by a person responsible for their safety. Children should be supervised to ensure that they do not play with the appliance.

■ The range hood may have sharp edges. Be careful to avoid cuts and abrasions during installation and cleaning. Do wear qualified protective gloves.

■ The accessible parts become very hot when in operation. Never touch hot parts. Keep children at a safe distance.

■ Do not touch lamps during or soon after operation. Burns may occur.

■ Do not insert your limbs and/or foreign objects into the impeller while the range hood is in operation, as that action might cause injury.

■ This appliance is not intended for operation with an external clock timer or a remote control.

■ Incorrect repairs are dangerous. Repairs may only be carried out and damaged power cables replaced by one of our trained aftersales technicians.

■ If any abnormalities and/or defects occur while operating the range hood, immediately turn off the appliance and unplug the appliance from the mains or switch off the circuit breaker in the fuse box. Then, contact our authorized service center. Abnormal operation and defects may cause hazardous situations, such as electric shocks and fires.

■ This product contains chemicals known to the State of California to cause cancer, and birth defects or other reproductive harm. For more information, please go to: www.P65Warnings.ca.gov

● Risk of Suffocation

■ Packaging material is dangerous to children. Never allow children to play with packaging material, which may cause suffocation. Keep all packing material out of proximity to children. Please remember that packaging materials should not be treated as toys.

● Risk of Death

■ Risk of poisoning from flue gases that are drawn back in. Always ensure adequate fresh air in the room if the appliance is

being operated in exhaust air mode at the same time as room air-dependent heat-producing appliance is being operated. Exhaust gases through the flue (chimney) of fuel burning equipment to prevent back drafting. FOTILE is not responsible for injuries caused by improper and/or incorrect operation of the range hood.

Notice 

● When applicable local regulations comprise more restrictive installation and/or certification requirements, the aforementioned requirements will prevail, and installation personnel must conform to these requirements.

● The operating temperature of the range hood should not exceed 104 °F (40°C).

● Please do not place anything on top of the product. Anything placed on top may fall off or incline. For example, if you place seasoning bottles on top, the inclination may cause liquid to flow inside the product, resulting in damaged electrified components and therefore unnecessary risks. Our company will not bear the responsibility for free repair in case of product damage due to the above reason.

● Clean the oil cup frequently to prevent overflow. The resulting grease is inedible! Please do not place flammable materials in the oil cup, such as plastic wrap, paper towels, etc.

● When cutting or drilling into the wall or ceiling, be careful not to damage electrical wiring, water pipes, gas lines, or other hidden utilities.

● Adhere to the heating equipment manufacturer's guidelines and safety standards, such as those published by the National Fire Protection Association (NFPA), the American Society for Heating, Refrigeration and Air Conditioning Engineers (ASHRAE) and the local code authorities. Meanwhile, conform to the

safety standards issued by such administrative departments as fire department.

● When gas burners are in operation without any cookware placed on them, they can build up a lot of heat. A ventilation appliance installed above the cooker may become damaged or catch fire. Only operate the gas burners with cookware on them.

● Adhere to the voltage and frequency settings listed in this manual to avoid possible damages to the range hood.

● Please use standard accessories provided by our company to prevent the range hood from falling down accidentally. The hole drilled in the wall should precisely match the size of the expansion pipe, otherwise, the range hood may loose and fall down.

● Tempered glass is applied to the products of the company and the tempering treatment of the glass determines the extremely little possibility of spontaneous explosion. If the occurrence of spontaneous explosion is not due to improper use, our company promises free replacement of the accessories. The possibility of tempered glass breaking can be significantly increased in the following situations, which should be avoided: For instance, hitting the glass, especially the corners of the glass, with cooking utensils or other hard objects; The glass is impacted when you open a cabinet door around the Range Hood; Put the glass in an extremely hot or cold environment or an environment where heat and cold are excessively alternated.

● Unauthorized modification of this product can lead to risks.

Important

- This appliance is intended for indoor home cooking only; it cannot be used for outdoor cooking. Please use this product only according to the manufacturer's instructions. FOTILE assumes no responsibility if you use it in special environment. Please contact a FOTILE authorized service center if you encounter any problem.
- Check the appliance for damage after unpacking it. If you detect any obvious damage to the product, do not proceed with the installation. Please contact our authorized service center immediately.
- Avoid placing gypsum powder, construction dust, etc. within close proximity of the range hood.
- Operate the range hood only in the manner outlined in this product manual. When operating the range hood, do not leave the appliance unattended. If you have any questions and/or concerns, please contact our authorized service center.
- Operate, clean and maintain the range hood in accordance to the instructions outlined in this manual.
- Clean the metal grease filter according to the instructions.
- The range hood's motor has a thermal overload function, which automatically turns off the motor when it overheats. Once the motor cools down, the range hood will automatically restart. If the motor, continually turns off and restarts, please contact our authorized service center.
- If the range hood has not been in operation for an extended period of time, unplug the appliance.

- Please make sure correct installation and maintenance of the appliance. Installation work and electrical wiring must be done by qualified person(s), in accordance with all applicable codes and standards, including fire-rated construction codes and standards. The installation personnel should be responsible for normal operation of the appliance at the installed position.
- Please install the damper according to the national or local codes if you need.
- For general exhausting only. Do not use this range hood to exhaust hazardous and /or explosive materials or gas.
- The product itself is nonflammable.
- In order to reduce the risk of fire, all exhaust pipes, flues and devices should be nonflammable. Use only metal duct cover and metal duct pipes. Never cover the hood with flammable plastic film or paper.
- Services guaranteed under warranty must be performed by FOTILE certified service provider or personnel. The warranty is not effective for products removed for repair without authorization.
- Please read the specification label on the range hood for further information and requirements.
- Please install a supplementary air device if you install the high-power Range Hood in an airtight room. Due to the configuration of the FOTILE Range Hood, it is recommended for users with an airtight new house to install a supplementary air device. Please comply with relevant regulations to install corresponding supplementary air device if there are relevant regulations in your state or region.
- This product is for use in the U.S. and Canada only.

Use and Care

Product Specifications

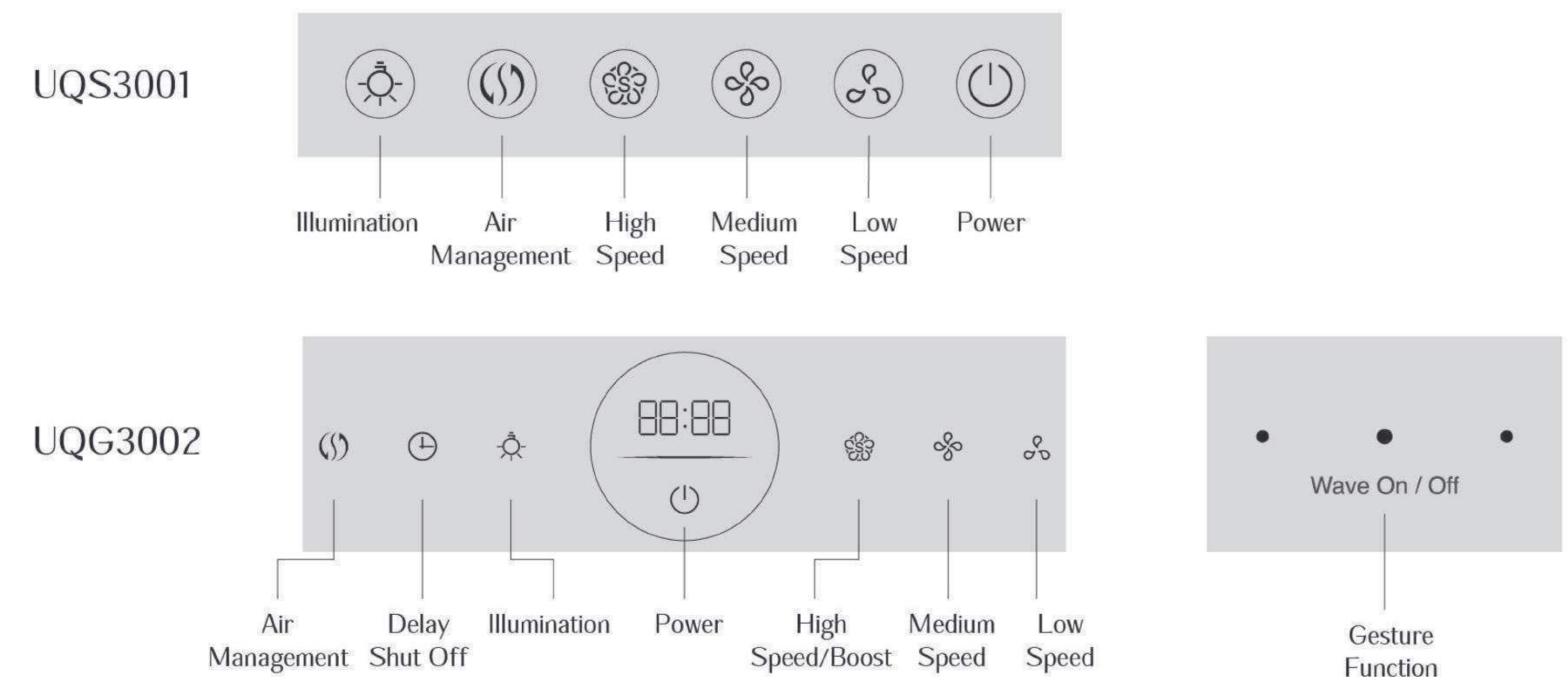
		Pixie Air	
Model		UQS3001	UQG3002
Certification		ETL	ETL
Product Size	Width	29 13/16inches (757mm)	29 13/16inches (757mm)
	Depth	22 1/16inches (560mm)	22 1/16inches (560mm)
	Height	8 5/16inches (210mm)	8 5/16inches (210mm)
Voltage/Frequency		120V/60Hz	120V/60Hz
Power		256W	260W
Led Lights		3W×2(LED)	3W×2(LED)

Operation Guidance

Warning




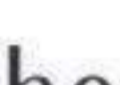









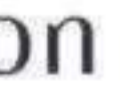


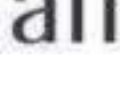
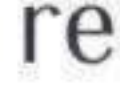
- Avoid sudden or violent button operation.
- Avoid empty burning of the stove that directly bake the range hood.
- Avoid disassembly with power on or against the instructions.
- Avoid the overflow of the capture-shield plates (integrated oil cups).
- Avoid disassembly and inspection by non-professional personnel.


Operation Interface







Operation Guidance

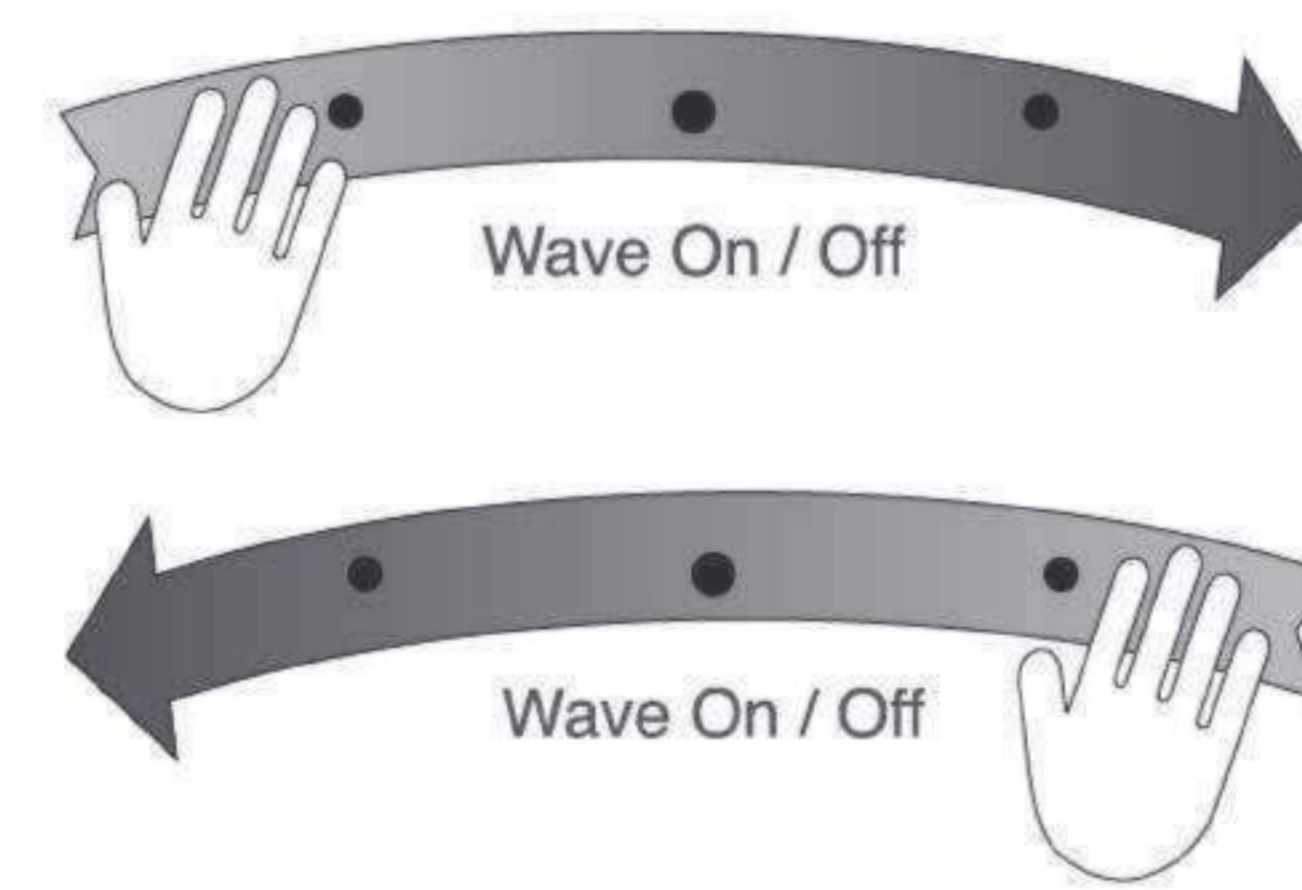
UQS3001

1.  Power: By pressing it briefly when the range hood is off, the hood enters the standby mode,  the power indicator is fully lit; by pressing it briefly when the range hood is on, all the functions are off, the key indicator is off, and the range hood is in off state.
(If no operation is made for 2 minutes in standby state, the range hood will be off automatically)
2.  High: By pressing it briefly, the fan is started, the  High indicator is fully lit, the range hood operates at High speed; by pressing it briefly again, the motor stops running, and the  High indicator is off.
3.  Medium: By pressing it briefly, the fan is started, the  Medium indicator is fully lit, the range hood operates at Medium speed; by pressing it briefly again, the motor stops running, and the  Medium indicator is off.
4.  Low: By pressing it briefly, the fan is started, the  Low indicator is fully lit, the range hood operates at Low speed; by pressing it briefly again, the motor stops running, and the  Low indicator is off.
5.  Illumination: By pressing it briefly, the LED lights are on, the  illumination indicator is fully lit; by pressing it briefly again, the LED lights are off, and the  illumination indicator is off.
6.  Air Management: By pressing it briefly, the  Air Management indicator blinks in green, and the range hood enters the state of intelligent detection of air quality. If the air quality is excellent, the  indicator is constantly on in green, if the air quality is relatively poor, the  Air Man-








agement indicator is constantly on in pink. The range hood operates at Low speed; if the air quality is poor, the  Air Management indicator is constantly on in red, the range hood operates at High speed.

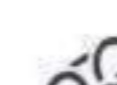
















UQG3002

1. Gesture Function: In off state, wave  swiftly before the sensor in the upper right, the range hood operates at  High speed. The  LED lights are on to full brightness. In any state other than off state, wave  swiftly before the sensor, all the functions of the range hood are off, all the displays are out, and the range hood is off.









Ps:

- (1) The distance between hand and the function area should be no more than 5in.
 - (2) During cooking, please turn on the range hood. Otherwise, steam/smoke passing through the sensor area may trigger the gesture function.
2.  Power: By pressing it lightly when the range hood is off, the hood enters the standby mode, the  large light ring and the  power indicator are fully lit, and all buttons (except the delay-off) are slightly lit; by pressing it lightly when the range hood is on, all displays are off, the key indicator is off, and the range hood is in off state.
 3.  High/Boost: By pressing it lightly, the fan is started, the  indicator is fully lit, and the range hood operates at High speed; then by pressing  it again, the motor stops running, the  indicator is slightly lit.

- By pressing and holding, the  indicator is constantly on in green, the range hood operates at Boost; operate the same again, the range hood returns to High speed, the  indicator is fully lit.
4.  Medium: By pressing it lightly, the fan is started, the  Medium indicator is fully lit, the range hood operates at Medium speed; by pressing  it lightly again, the motor stops running, and the  Medium indicator is slightly lit again.
5.  Low: By pressing it lightly, the fan is started, the  Low indicator is fully lit, the range hood operates at Low speed; by pressing  it lightly again, the motor stops running, and the  Low indicator is slightly lit again.
6.  Illumination: By pressing it lightly, the LED lights are half lit, the  indicator is also half lit; by pressing it lightly again, the LED lights are fully on and the  indicator is fully lit; then by pressing it lightly the third time, the lights are off, the  indicator is slightly lit again.
7.  Delay Shut Off: When the range hood is in operation, that is, at least one function (fan, Air Management, illumination) is activated, by pressing the button lightly, the  Delay indicator is fully lit, the range hood enters the 5-minute delay mode; then by pressing it light again, the range hood enters the 15-minute delay mode; by pressing the button the third time, the range hood exits the delay mode, the  Delay indicator is slight lit again, and the range hood maintains current working conditions.
When the range hood is in Delay mode, the screen displays the remaining time. After the delay time expires, all functions are closed, all displays are out, and the range hood is switched off.

The Delay function is invalid when the range hood doesn't work.

8.  Air Management: By pressing it lightly, the  indicator is fully lit, the  large light ring blinks in white, and the range hood enters the state of intelligent detection of air quality. If the air quality is excellent, the  ring turns green, if the air quality is relatively poor, the  ring turns yellow. The range hood operates at Low speed; if the air quality is poor, the ring  is red. The range hood operates at High speed.

Care and Clean

Warning

- Failure to clean as specified in this instruction manual may result in risk of electric shock, fire, personal injury, etc.
- Protect electrical components such as motors and control buttons from water during cleaning. Moisture entering the circuit may result in product damage or personal danger.
- Do not clean the range hood with gasoline, acids, benzene, solvents, or any other chemicals.
- Do not clean with rough materials such as cleaning balls or rough cloths, and please do not use strong or abrasive detergents to prevent scratching the machine.
- Electric shock hazard
 - Moisture penetration may result in electric shock. Before cleaning and maintaining the range hood, disconnect the power supply to avoid electric shock.
 - Do not use any high-pressure cleaning machines or steam cleaning devices that could result in electric shock.

● Fire hazard

- Grease deposits on the capture-shield plates (integrated oil cups) may catch fire.
- Do not place flammable materials such as plastic wrap and kitchen paper in the capture-shield plates (integrated oil cups).

● Personal injury hazard

- The range hood may have extremely sharp edges, and when cleaning and maintaining the range hood, wear certified protective gloves to prevent injury.
- When the fan is in operation, do not put the hands into the operation area of the fan to avoid injury.
- When the product is in operation, the top metal surface and LED lights may become hot, so please do not touch the corresponding area to avoid burns.

Notes 

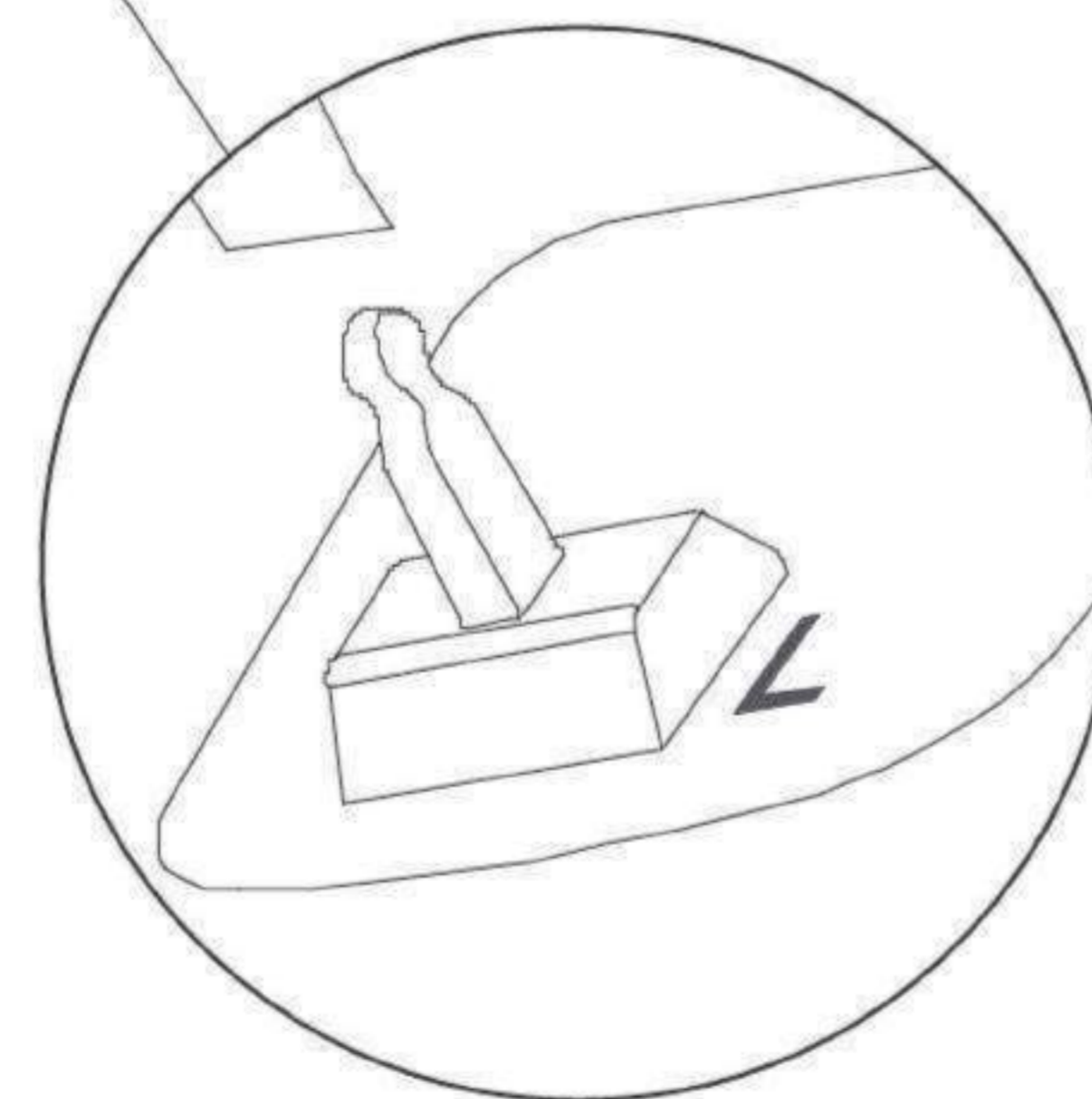
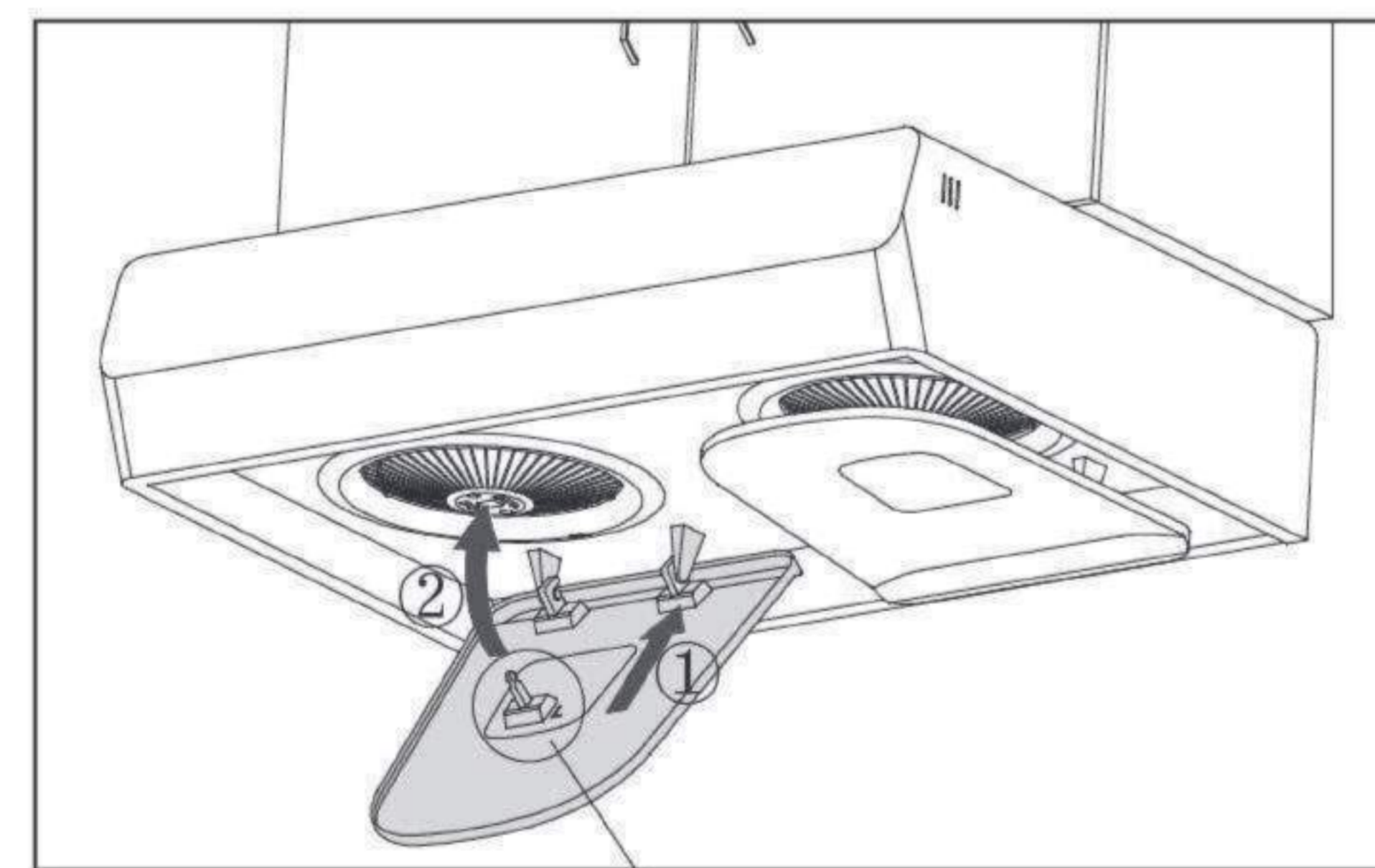
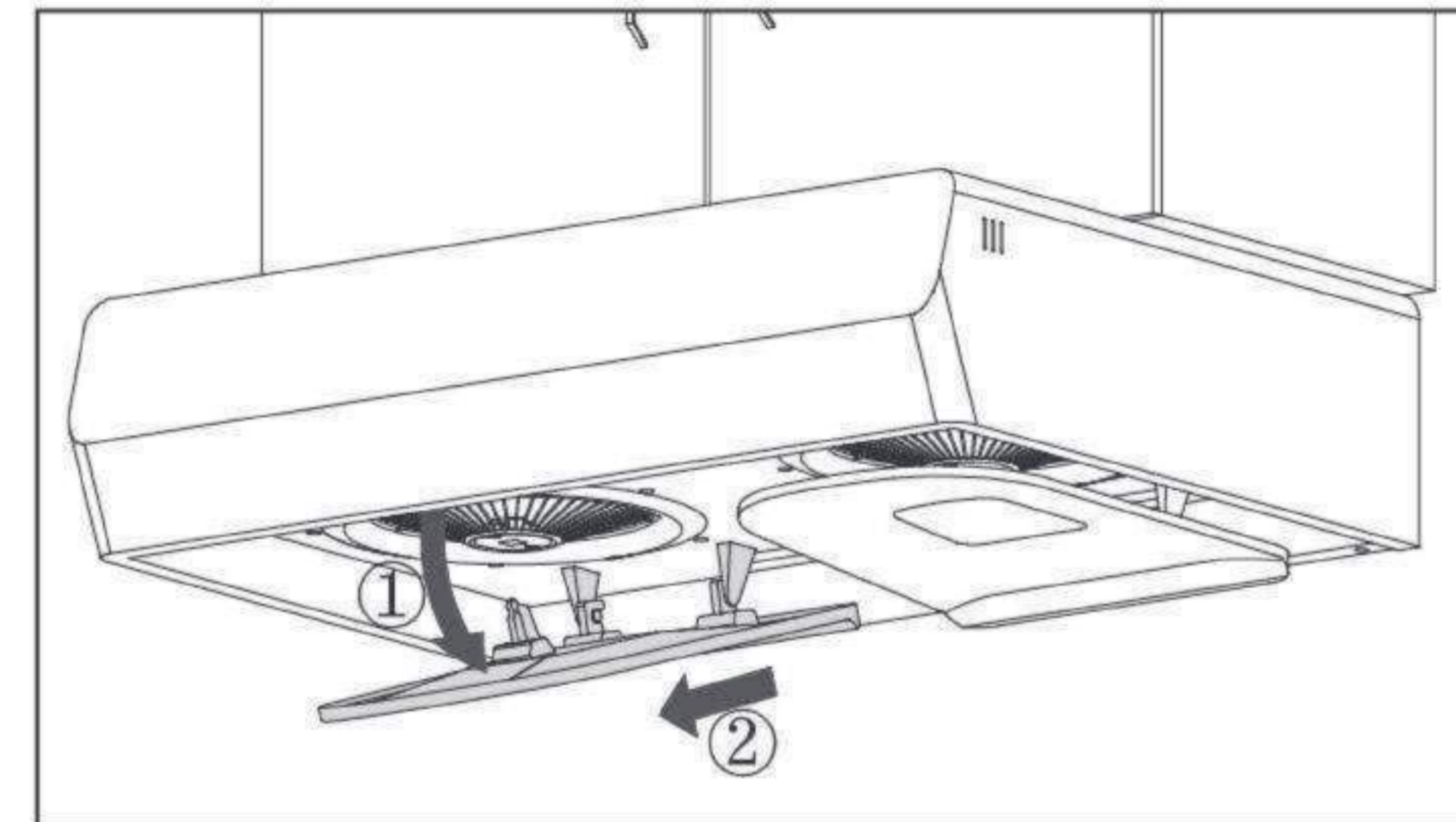
- Corrosion (including condensed liquids from not opening the hood while cooking) can result in damage.
- Please clean only along the texture of the stainless steel surface to avoid surface damage.
- Do not use any stainless steel cleaner to clean the buttons or other control components to avoid surface damage.

Important 

- Be sure to install the capture-shield plates (integrated oil cups) in place after each cleaning.
- Do not use the range hood without capture-shield plates. It may pose a safety hazard.

Recommended Cleaning Methods

- Tempered Glass: Use soft cloth to wipe the surface, better with the neutral detergent.
- Stainless Steel: Use soft cloth to wipe the surface, better with the neutral detergent or a stainless steel cleaner or polish.
- Capture-shield plates: After cooking, use the kitchen towel to wipe. Take down the plates with your hands (avoid excessive tilting to prevent spillage), then soak with hot water, rinse and clean. Or just put into your dishwasher.
- If you need other maintenance service, please contact FOTILE service.



Disassembling and assembling of the capture-shield plate (integrated oil cup)

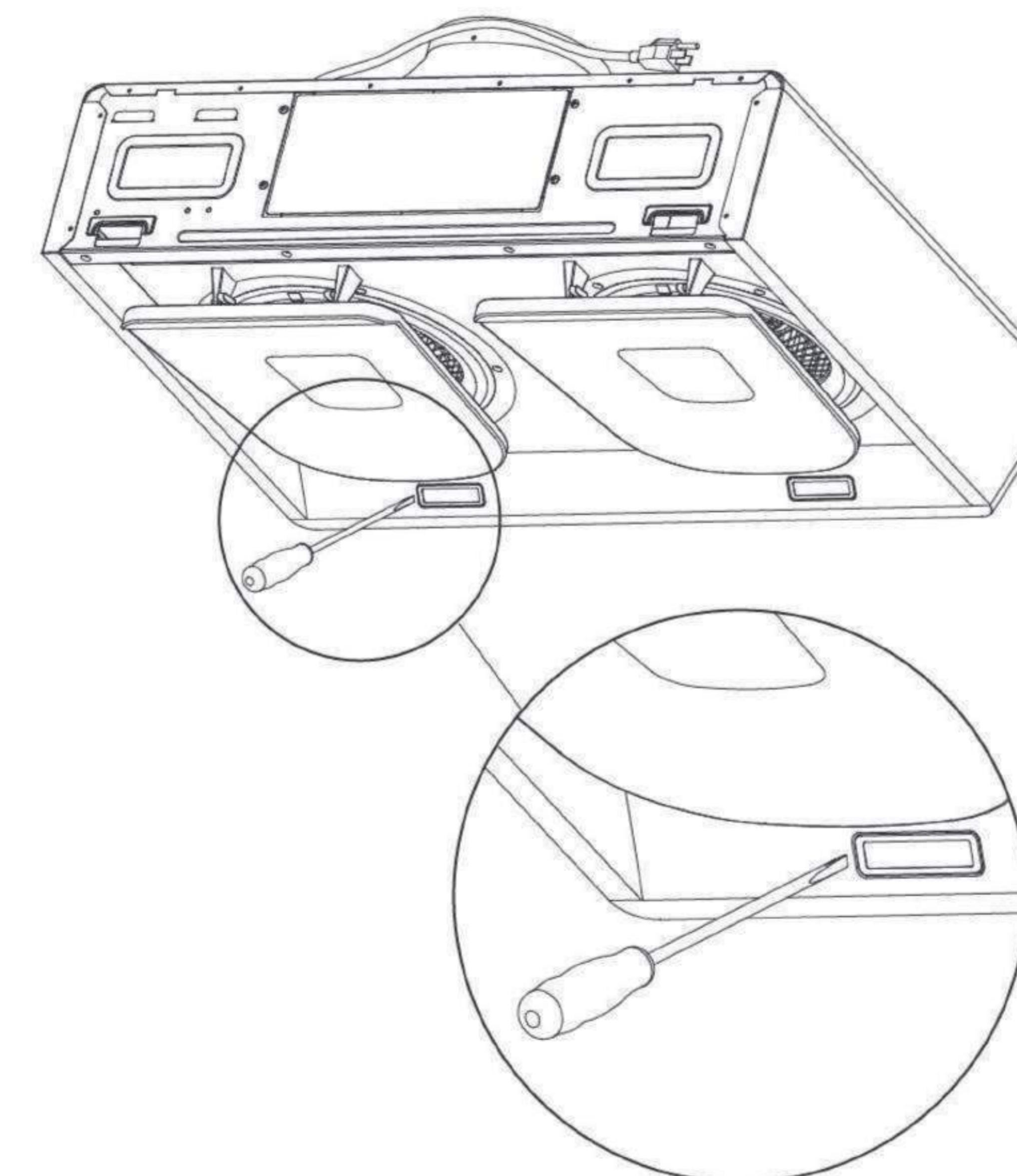
Troubleshooting

Troubleshooting Tips Before you call for service

Troubleshooting		
Problem	Problem Cause	What To Do
The range hood doesn't work.	The power is not on.	Please confirm that the power cord is connected, and the power is on.
	The power line of the switch or control panel becomes loose.	Contact a professional technician or consult FOTILE customer service.
The indicators are normal. However, the fan doesn't work.	Power board failure.	Contact a professional technician or consult FOTILE customer service.
	Capacitor failure.	Contact a professional technician or consult FOTILE customer service.
The range hood shakes sometimes in working.	The impellers may become loose.	Contact a professional technician or consult FOTILE customer service.
	The range hood is not firmly secured with the cabinet.	Tighten the screws at the bottom of the cabinet to ensure that the hood is tight against the cabinet.
The fan works, but the light won't be lit.	Loose wiring	Contact a professional technician or consult FOTILE customer service.
	LED light failure	Contact a professional technician or consult FOTILE customer service.
Ventilation is weak.	The range hood is installed too high.	Refer to the installation instruction manual, and ensure that the bottom of the hood is 24in - 28in from the cooktop.
	Airflow from open windows, doors or air condition interferes with the operation of the range hood.	Reduce airflow fluctuations when using the range hood.
	Blocked ducts or vents.	Check the ducts and vents, remove the objects, if any.
	There is a headwind in the direction of the outlet.	Adjust the direction of the air outlet, or install a rain shield to reduce the effect of the wind.
	The diameter of the duct is smaller than the ideal size.	Adjust the size of the duct.

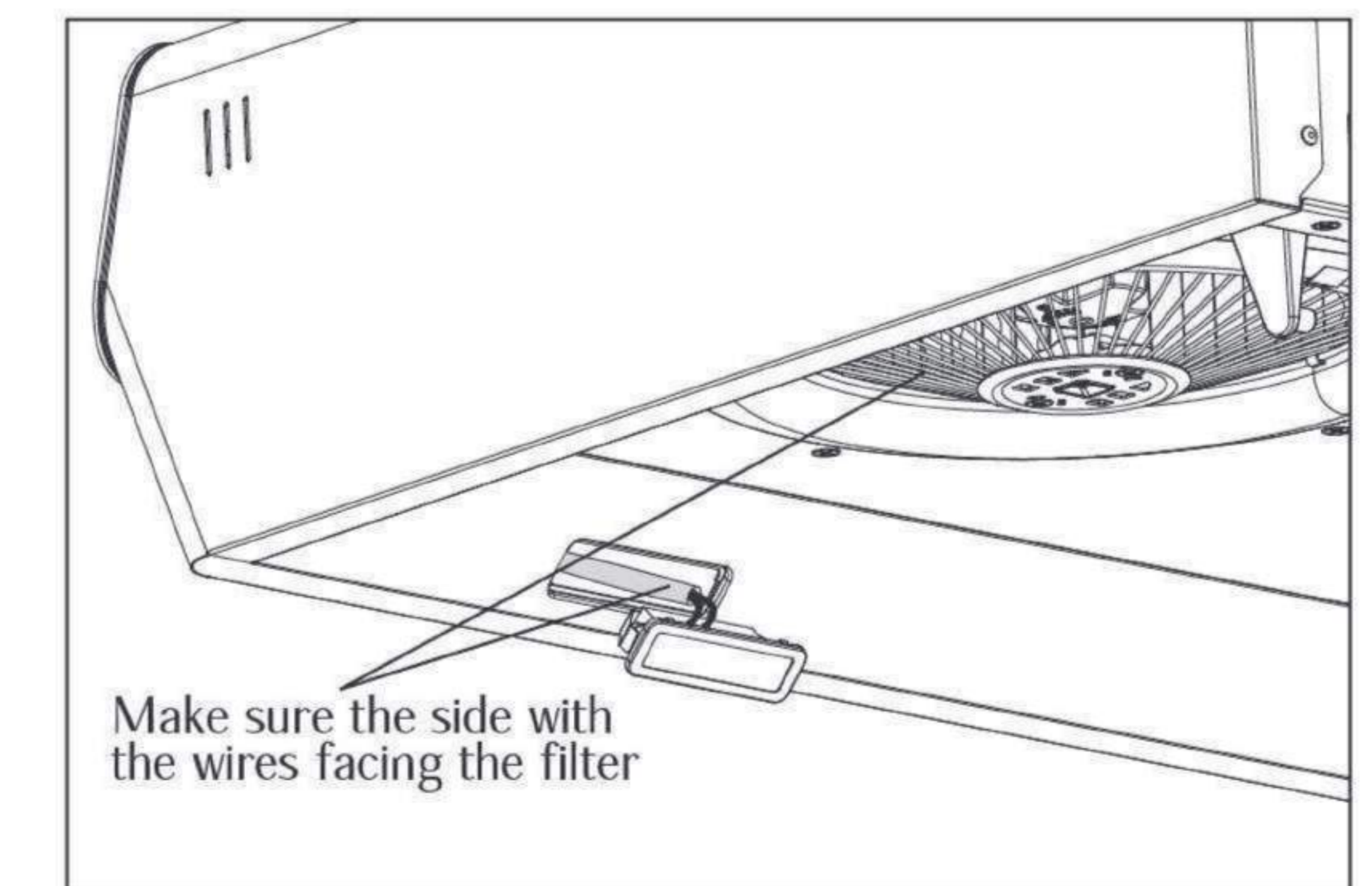
How to replace the LED light:

1. Unplug the range hood.
2. Slightly insert the edge of the LED light with a small word screwdriver and pry the LED light down.



3. Disassemble LED light cable and replace with a new one.

Note: When inserting the LED light, please make sure the side with the wires facing the filter.



Customer Services

It is recommended that you read the following warranty terms first in case that services are required.

Warranty for Range Hood:

For range hood purchases made on or after 11/15/2019,

FOTILE is offering (from the date of purchase) five years limited warranty on range hood, life time limited warranty on motors.

TWO (2) YEARS FULL WARRANTY ON ALL FOTILE RANGE HOOD PARTS AND LABOR AND THREE (3) YEARS LIMITED WARRANTY ON ALL PARTS OF FOTILE RANGE HOOD PRODUCTS*

*Please visit <https://www.fotileglobal.com/us/Service%EF%B%86Support.html> to read the full warranty terms.

What FOTILE America will not cover under Warranty:

- Service trips to your home to provide tutorials on the use and maintenance knowledge.
- Improper installation, delivery or maintenance.
- Failure of the product if it is abused, misused, modified or used for other purpose or used commercially.
- Damage to the product caused by improper clean.
- Damage to the product caused by accident, fire, floods or acts of God.
- Damage to the product caused by use beyond normal conditions, eg. Higher voltage.
- Product without registration or wrong information according to the registration.

Exclusion of Implied Warranties:

This warranty is extended to the original purchaser and any succeeding owner for products purchased for home use within the USA. If the product is located in an area where service by a FOTILE Appliances Authorized Service Technician is not available, you may be responsible for a trip charge or you may be required to bring the product to an authorized FOTILE Service location for service. In Alaska and Hawaii, the warranty excludes the cost of shipping or service calls to your home. Some states do not allow the exclusion or limitation of incidental or consequential damages. This warranty gives you specific legal rights, and you may also have other rights which vary from state to state. To know what your legal rights are, consult you local or state consumer affairs office or your state's Attorney General.

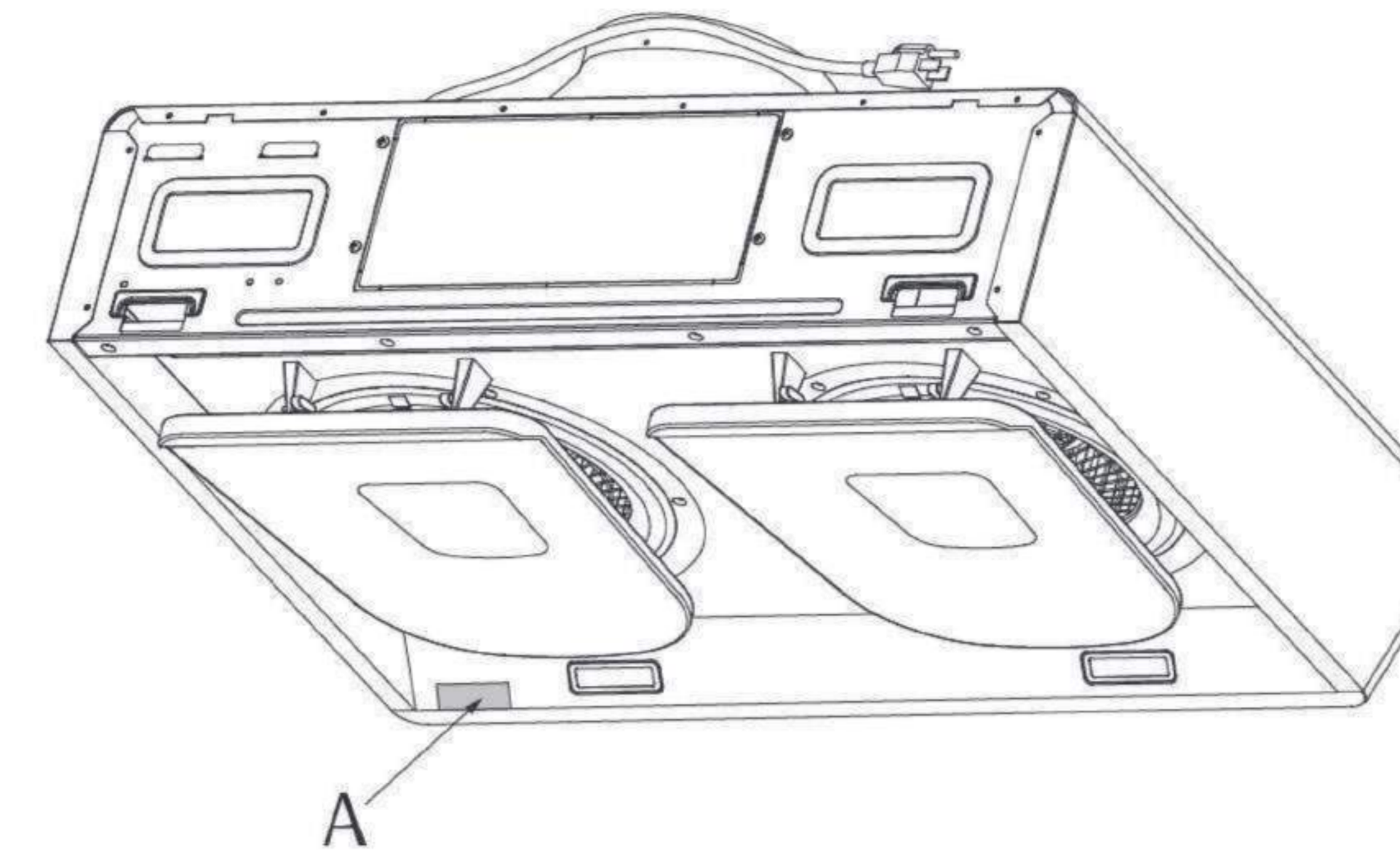
Product Registration

● If you have purchased a FOTILE range hood, please register your product as soon as possible. This allows us to communicate with you and provide you with services in a timely manner upon your request. You may register your product in two ways as follows:

- A printed registration card is enclosed in the product package. You may fill in the information and mail it to FOTILE.
- Visit the official website of FOTILE for product registration:
<https://shop.fotileglobal.com/register-today-for-product-support>

● If you have purchased a FOTILE range hood, please inform us of the model and serial number of the product when you communicate with us so that we can serve you better.

You can find such information at the location shown below:



- To order accessories, you may:
 - Visit the official online store of FOTILE: <https://shop.fotileglobal.com/>, to find information and place orders.
 - Call Toll Free of FOTILE: 1(888)-315-0366, to seek for consultations and place orders.
 - Contact FOTILE authorized stores (visit the FOTILE website to find an authorized store in your city) for inquiries and purchases at <https://www.fotileglobal.com/us/>
- In case of other services you need, you may contact FOTILE at:
 - Toll Free: 1(888)315-0366
 - Customer Service Email: serviceusa@fotile.com (Please leave your phone number available for contact during the daytime)
 - Mail Address: 6 Campus Dr, Suite 210, Parsippany, NJ 07054

Installation Guidance

Safety Instructions

To ensure the safe and efficient use of your FOTILE product, please note the highlighted information in the product manual as follows:

- * **Warning:** Indicating a risk of serious bodily injury or death if precautions are not observed.
- * **Notice:** Indicating possible minor personal injury or product damage if instructions are not followed.
- * **Important:** Emphasizing information of critical importance.

Safety Instructions

Please be sure to read these safety instructions before using the product.

Please be sure to properly keep these safety instructions.

This product is for indoor use only.

Warning ⚡ ⚠

- In order to reduce the risk of fire, electric shock, or injury to persons, please carefully read the following:
 - The installation and wiring of the appliance should only be carried out by a professional electrician in accordance with current national or local electric safety regulations, including fire-rated construction. Non-professional personnel should not conduct installation. Proper installation is the responsibility of the installer. Product failure due to improper installation is not covered under the FOTILE warranty.
 - Please use standard installation equipment and tools provided by FOTILE to ensure safe installation. Make sure to use the expansion tube and expansion bolt provided by our company, in case the range hood falls down accidentally. The hole drilled into the wall should precisely match the size of the expansion tube, otherwise the range hood will not be properly secured to the wall and may fall down.
 - The range hood should be connected to a standard power socket with safe grounding. The midway connection, prolonged electric line or multi-socket wiring may cause electric shock, overheating and even fire. Power off before wiring and make sure proper measures have been taken to avoid unexpected connection.
 - During the installation, switch off the circuit breaker in the fuse box during installation. If the supply cord is damaged, it must be replaced by a special cord or assembly available from the manufacturer or its service agent.

- The appliance should only be installed, removed and maintained by qualified technicians to prevent risks like electric shocks, falling or fires from occurring.

● Risk of Injury:

- Unplug the appliance from the mains or switch off the circuit breaker in the fuse box before installation, cleaning, maintenance and repair in order to avoid electric shock.
- The range hood may have sharp edges. Be careful to avoid cuts and abrasions during installation and cleaning. Do wear qualified protective gloves.

● Warning Before Installation

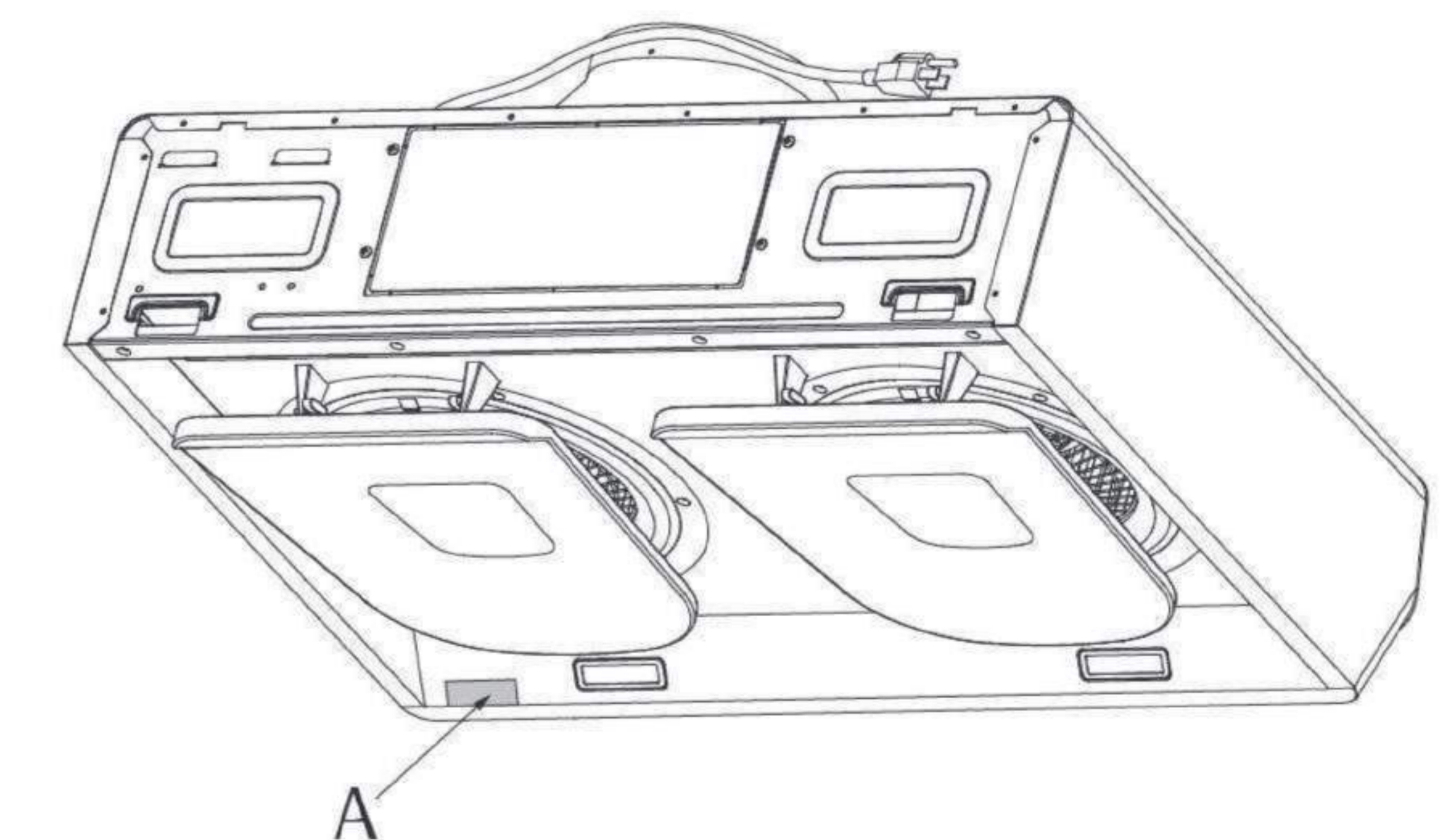
- Prior to installation, ensure that the exhaust outlet is free of debris, as they may damage the range hood.
- A straight and short ducting run will ensure high performance of the range hood.
- A curving and long ducting run should be avoided, as it will lower the performance of the range hood.
- Strictly seal the connection between the duct and duct hole with duct tape. Ensure that the connection between the duct and the duct cover is secure, and seal it with aluminum tape.
- A small duct hole will lower the performance of the range hood. Therefore, it is highly recommended that your duct hole equal to or larger than 7" (178mm) of the size.
- The bolts used in this product are metric-size bolts, please do not apply any unqualified bolts.

Notice ⚠

- Please carefully read all instructions prior to installation. Please give special consideration to the following items:
 - If you are renovating your kitchen, be careful to not expose the exterior of the range hood. Building materials, dust, paint, coating, and gases will corrode and tarnish the surface of the range hood. It is recommended that you install the range hood after all renovations are completed.
 - If you need to remove your gas burner before installation, please turn off the main gas valve first.
 - Do not connect the range hood duct to a duct used to exhaust hot air or fumes from another appliance.
 - Two installers are recommended due to the large size and heavy weight of the range hood. Since the installation is complex and the appliance is heavy, professional installers are required to install the appliance as outlined in this manual.
 - After the appliance fixed, the plug should be accessible.
 - Make sure to keep the appliance horizontally.
 - Ensure that the appliance functions normally after the installation is complete.

Important ⚠

- Prior to installation, please read the FOTILE Range Hood Installation carefully and save it for the local inspector's future reference.
- This appliance must be installed in accordance with National Electrical Codes, as well as all state, municipal and local codes.
- The appliance must be equipped with safe circuit breaker and installed with safe grounding.
- The correct voltage, frequency and amperage must be supplied to the appliance according to the proper voltage, frequency and amperage ratings listed on the product rating plate.
- This installation must be completed by FOTILE authorized service center, or certified installers.
- Please record the model and serial number before installing the range hood. Position of plaque can be referred to in figure A as follows:





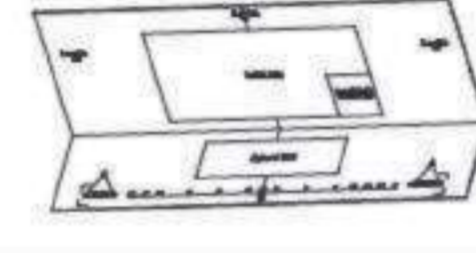
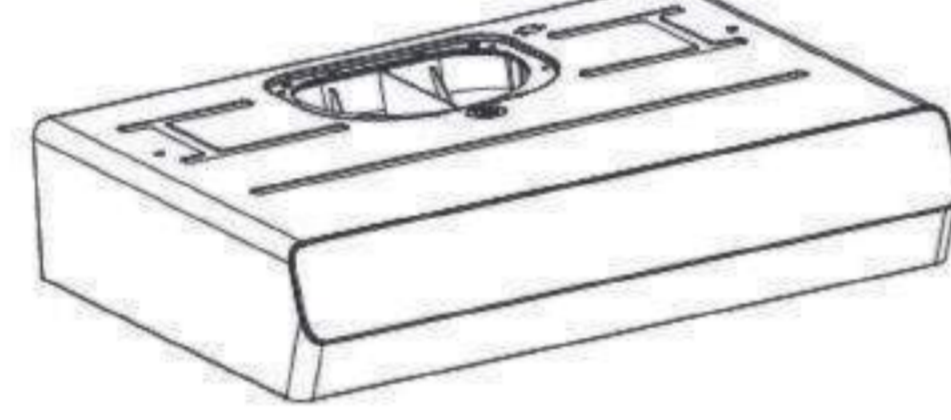
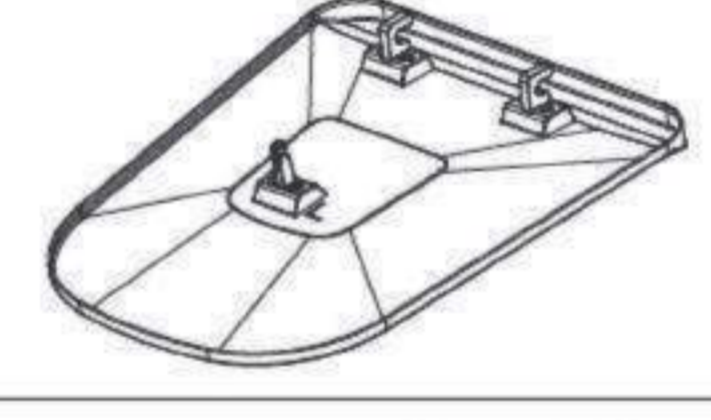
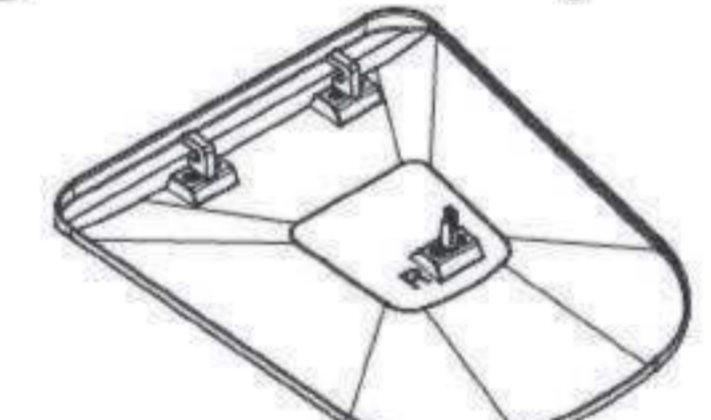



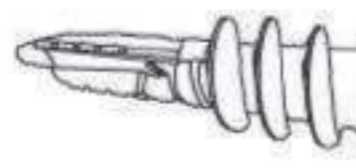
Tools and Accessories






Tools and Materials Required (NOT SUPPLIED)

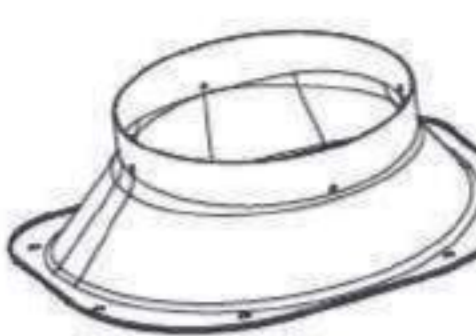
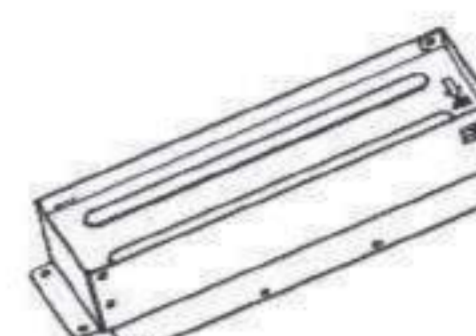

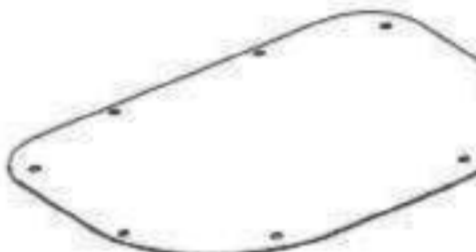


Accessories

Packing List

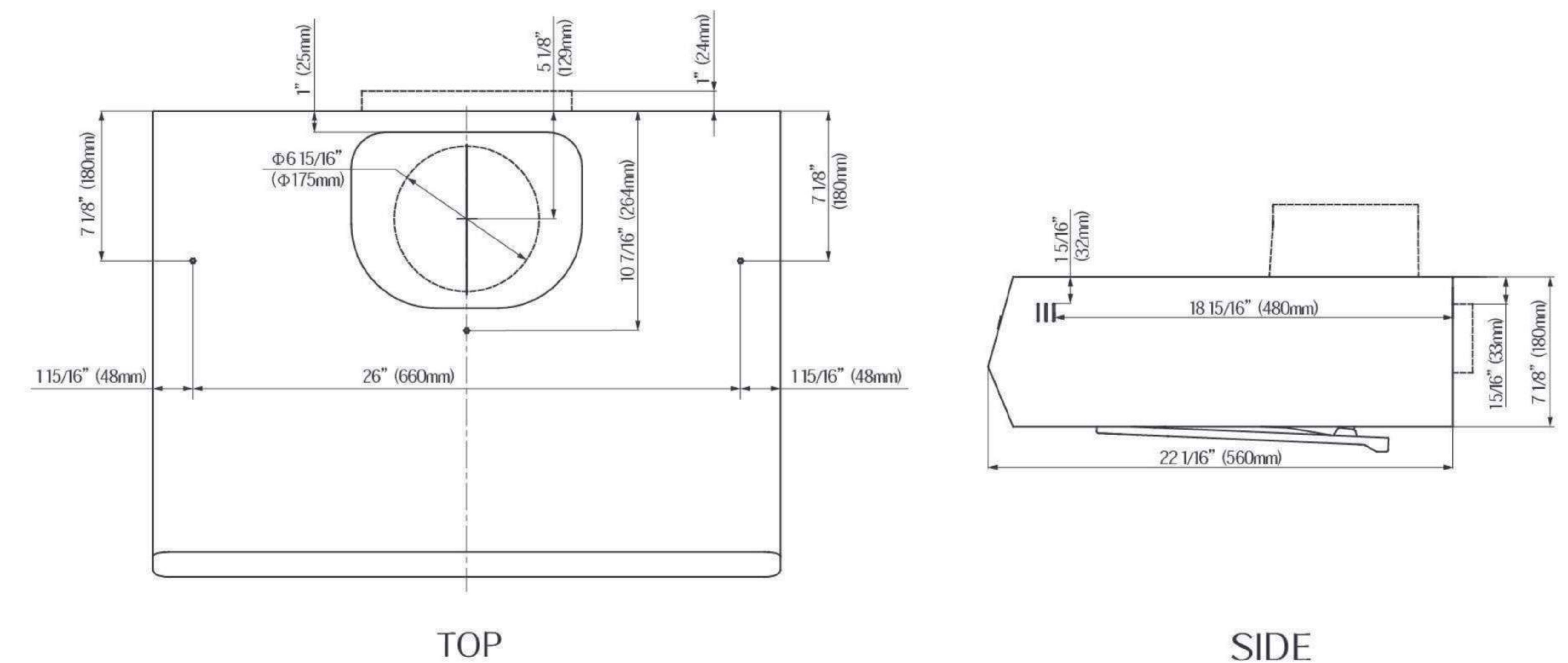
Parts with rang hood		
manual book 	1	
warranty card 	1	
mounting paper 	1	
range hood 	1	
capture-shield plate (integrated oil cup) (left) 	1	
capture-shield plate (integrated oil cup) (right) 	1	
mounting bracket 	1	
vent duct gasket 	1	
plastic anchors (for tile) Φ1/4" × 1 5/16" (Φ5.3×32mm) 	4	
plastic anchors (for drywall) Φ3/16" × 1 5/8" (Φ4×40mm) 	4	

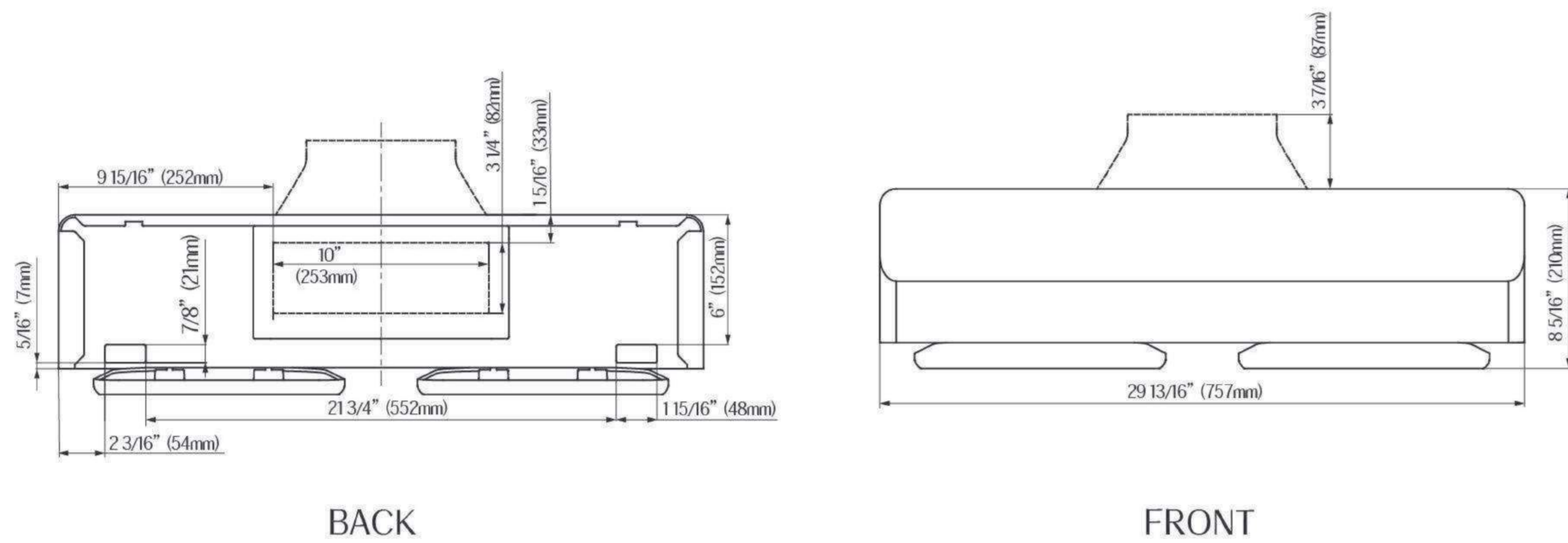
bracket screws #8×1 7/16" (ST4.2×36mm) 	4
wood screws #10×2 9/16" (ST5×65mm) 	4
screws for vent duct #8×3/4" (M4×18mm) 	8
fixing screws #10×2 13/16" (M5×70mm) 	4 (1 for spare)
fixing-screw washers Φ1 5/16" (Φ32mm) 	4 (1 for spare)

Vertical Duct Parts with rang hood	
vent duct 	1
Horizontal Duct Parts with rang hood	
square vent duct 	1
rubber pad 	1
vertical cover plate 	1

Specifications

		Pixie Air	
Model		UQS3001	UQG3002
Product Size	Width	29 13/16inches (757mm)	29 13/16inches (757mm)
	Depth	22 1/16inches (560mm)	22 1/16inches (560mm)
	Height	8 5/16inches (210mm)	8 5/16inches (210mm)
Voltage/Frequency		120V/60Hz	120V/60Hz
Power		256W	260W

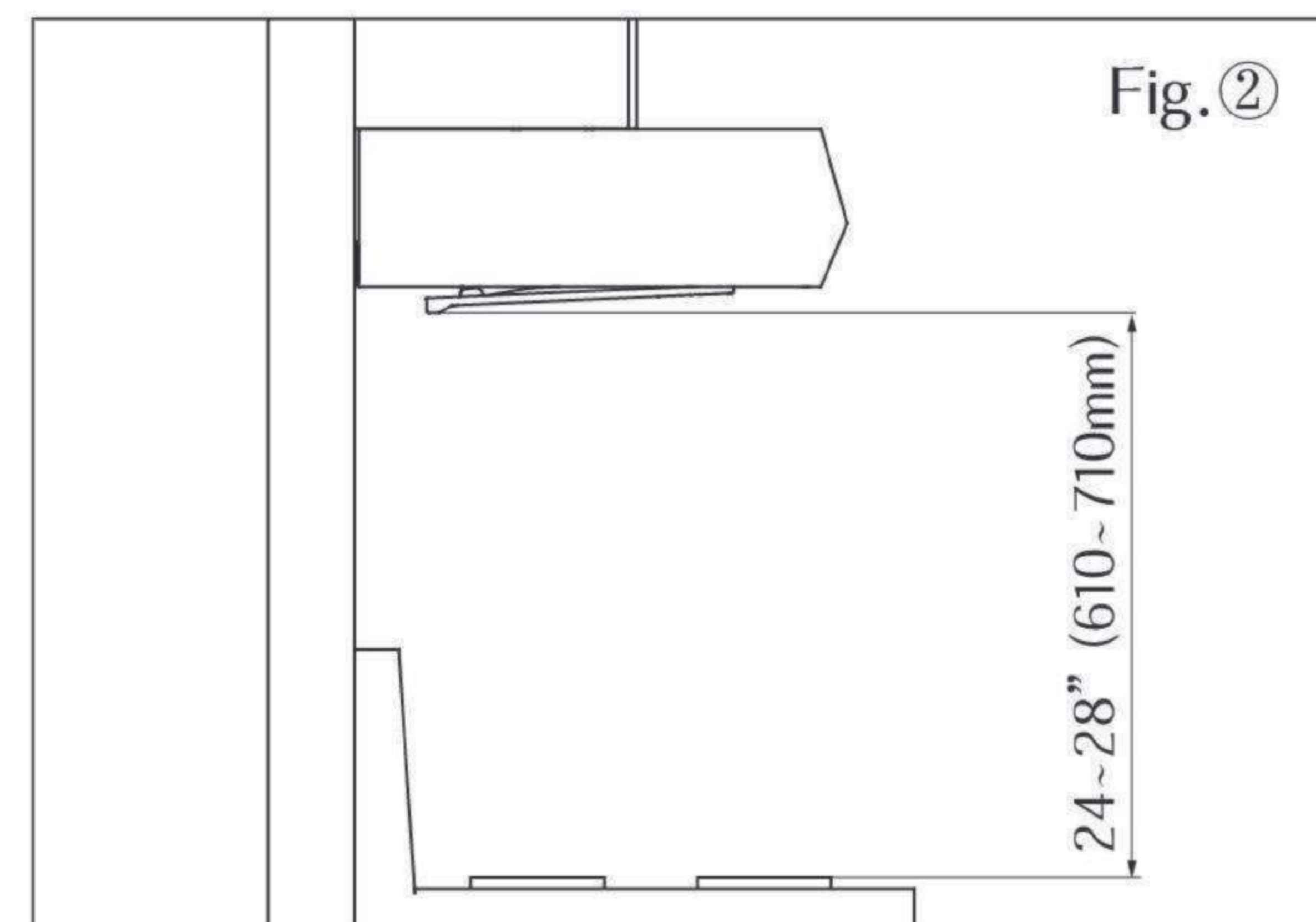
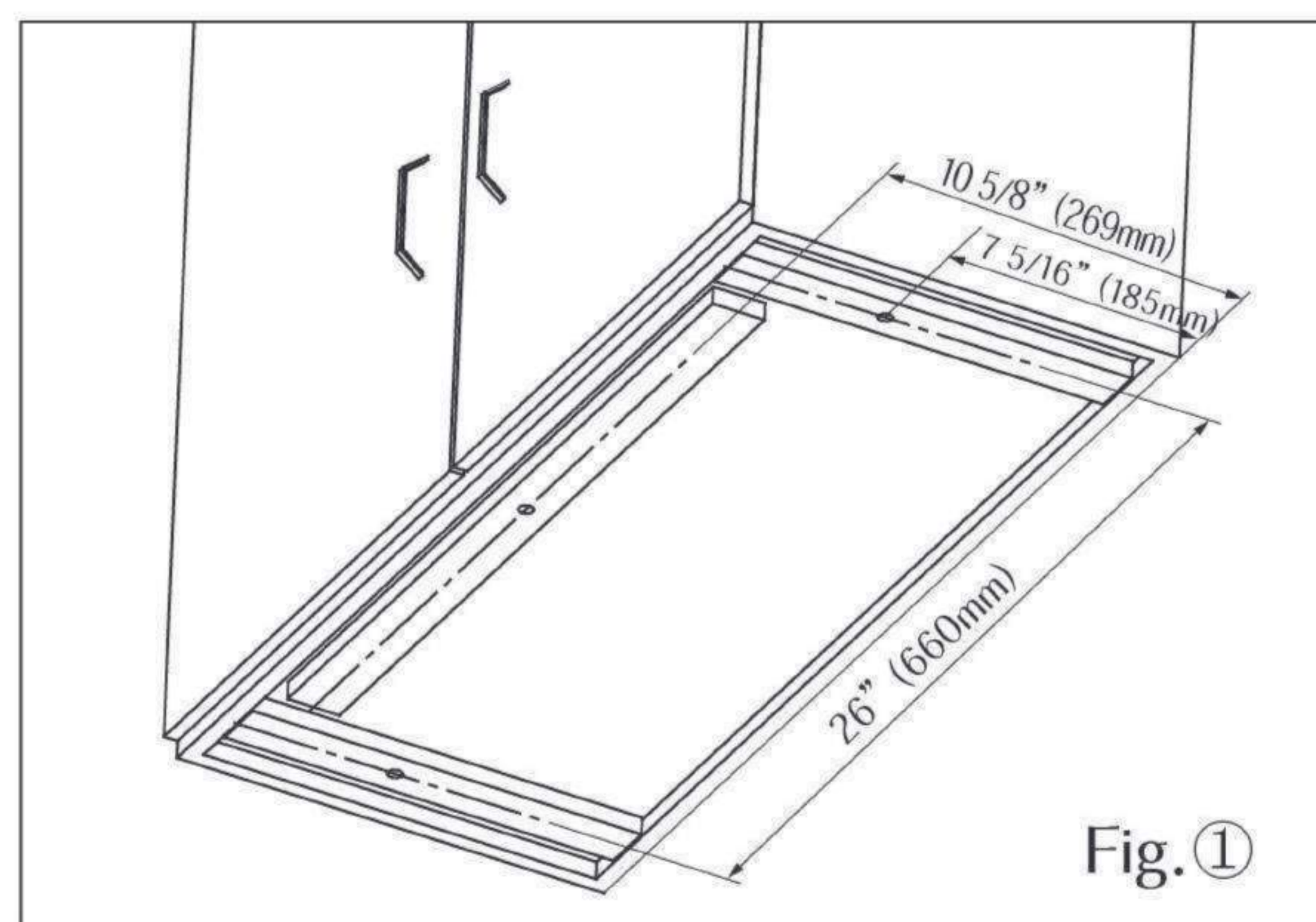




Installation Steps

Cabinet Requirements

In order to secure the safe use of the range hood and maximize its ability to ventilate cooking fumes, the installation height is suggested as follows: The distance from the countertop of the gas stove to the top board of the range hood shall not be less than 24" (610mm) and shall not be more than 28" (710mm). Where there are relevant laws stipulating the mounting height of range hood in the state or region, the laws shall prevail (Included but not limited to architecture and firefighting regulations and standards). However, the effect of cooking fumes ventilation might be affected.



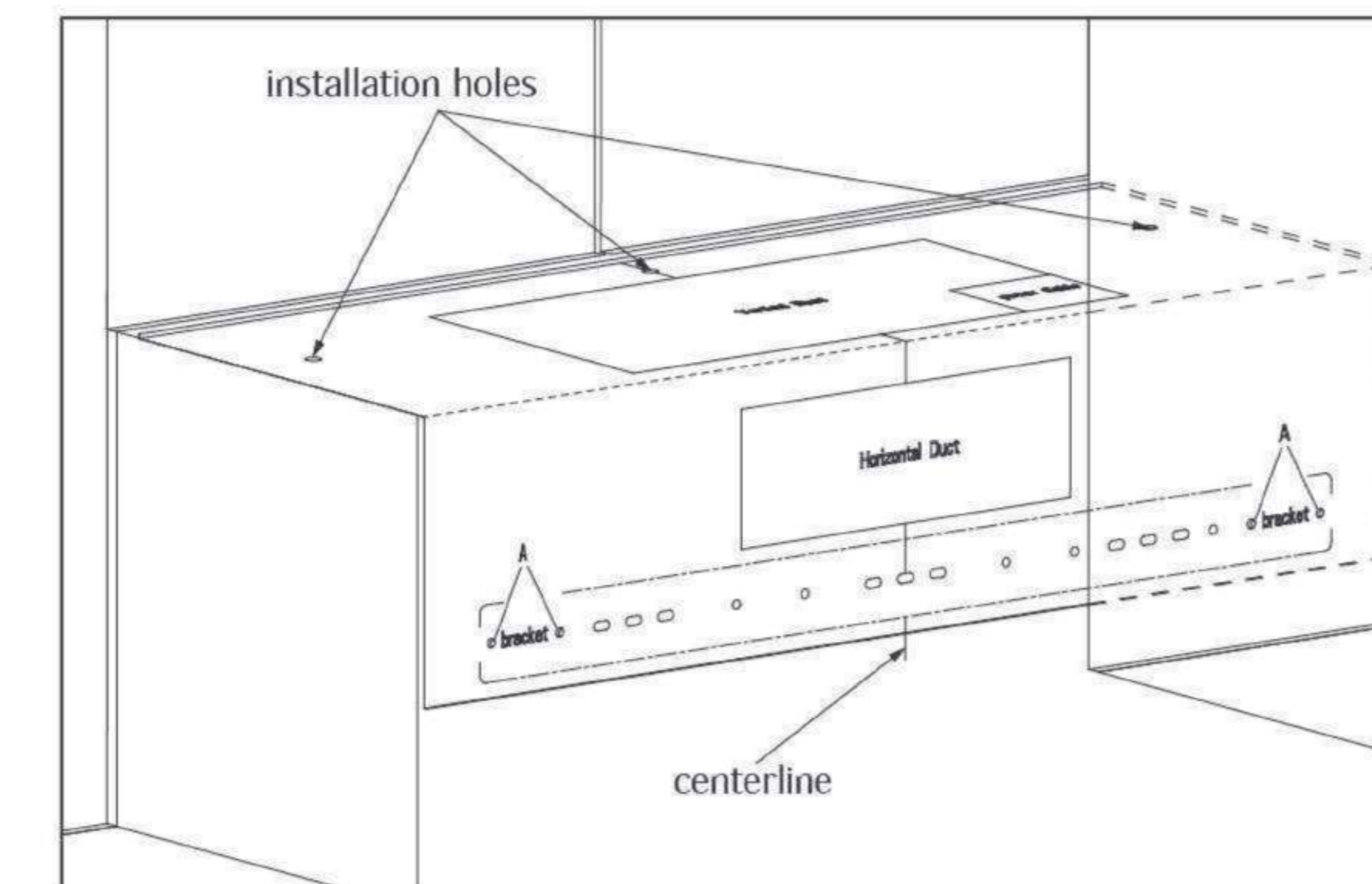
As shown in Fig. ①.

For cabinets with recessed bottoms, to install FOTILE under-cabinet range hood of 30in, please fill the bottom of the cabinet with 3 strips of wood (to be purchased separately, recommended width 1in-1 1/2in), making sure the bottom fixed with range hood is flat.

As shown in Fig. ②.

The minimum distance above the cooktop or range must not be less than 24". A maximum of 28" above the cooktop or range is highly recommended for best capture of cooking impurities.

Installation Guide



1. Unpack and confirm packing list and check product appearance.
2. Measure and mark the centerline of the wall on which the range hood will be installed.
3. Locate and mark the wooden posts within the installation wall with professional tools
4. Fold the mounting paper along the dotted line to 90° .
5. Fix the mounting paper: stick the back side of "Horizontal Duct" to the back wall, align the centerline with the wall centerline. Make sure the back side of "Vertical Duct" is close tightly to the bottom surface of the upper cabinet.
6. Finish openings of the 3 installation holes and bracket holes.
7. Finish openings of the corresponding duct area.

Note: If the upper cabinet is with recessed bottom, please follow the operation of the Fig. ① shown above.

Note: There' re 4 holes marked with A located on both ends in the bracket, they must be opened.

Note: If it' s horizontal duct, please make sure finish the opening for the electric wire on the bottom of the upper cabinet.

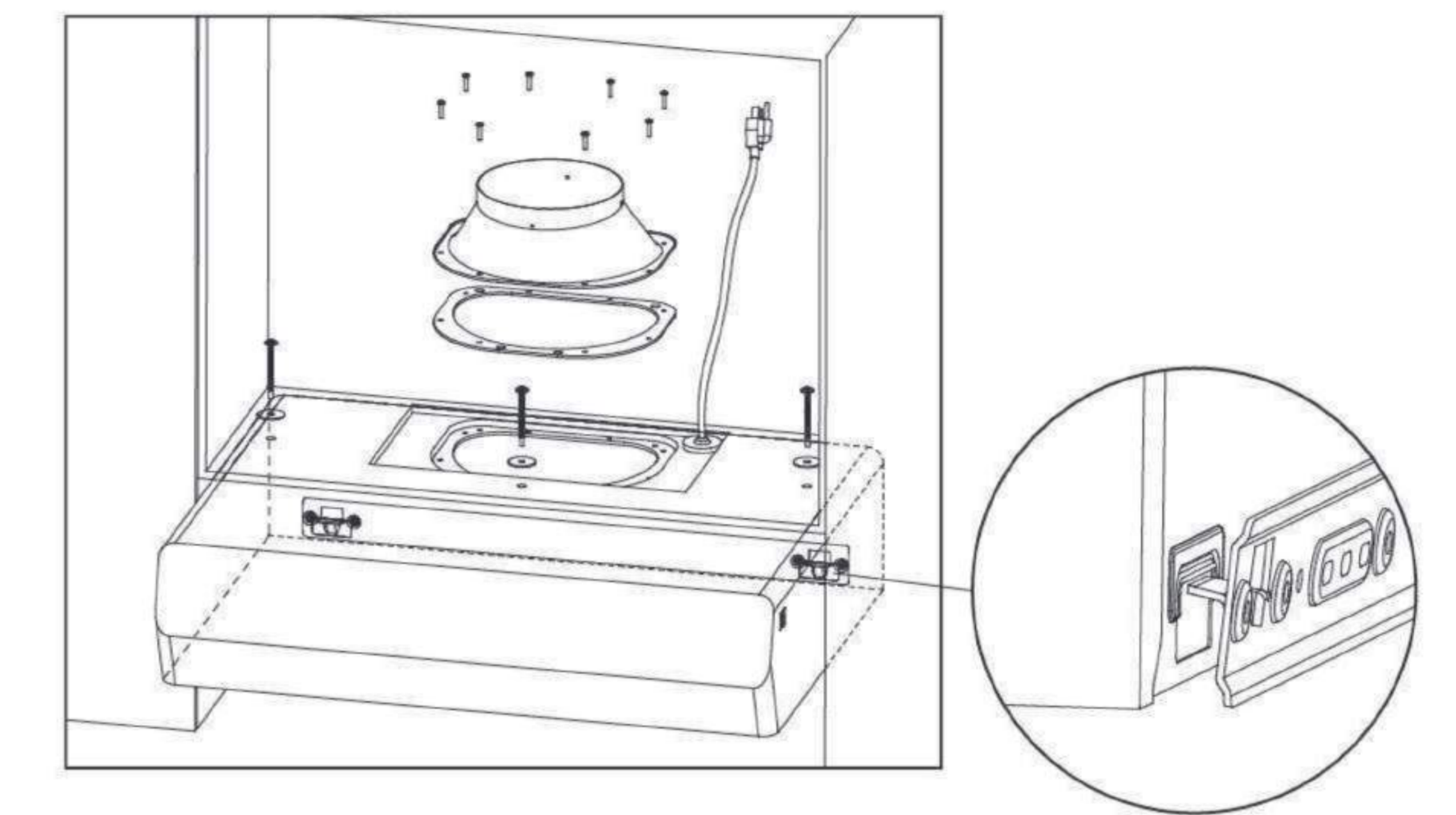
8. Remove the mounting paper and install the bracket.

Note:

- Please choose the appropriate fixing screws according to the wall material.
- The 4 holes marked with A must be screwed.
- There must be at least 1 wood screw (#10x2 9/16" or ST5*65mm) to fix the mounting bracket to the wooden post in the back wall to support the load.

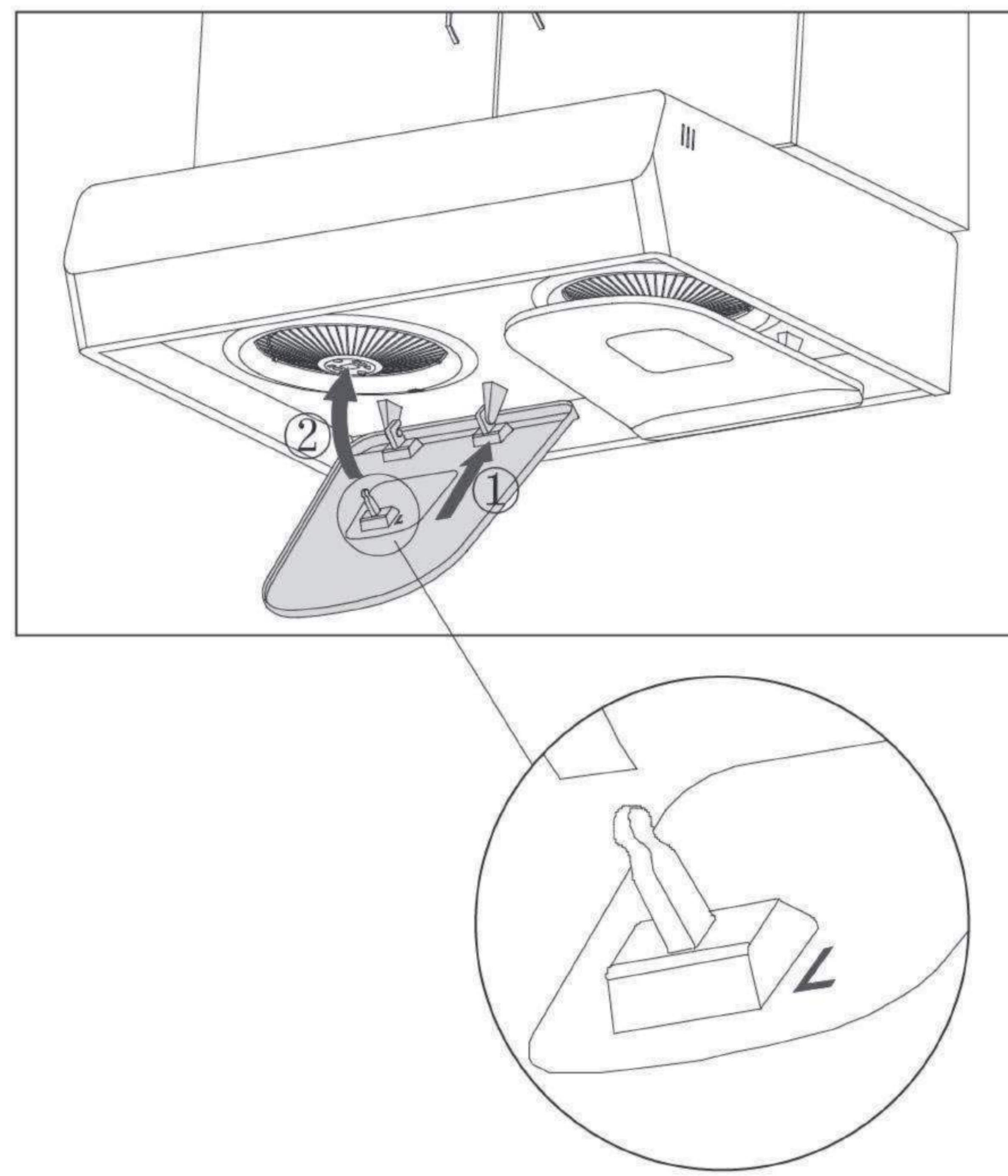
9. Install the range hood.

◇Vertical Duct

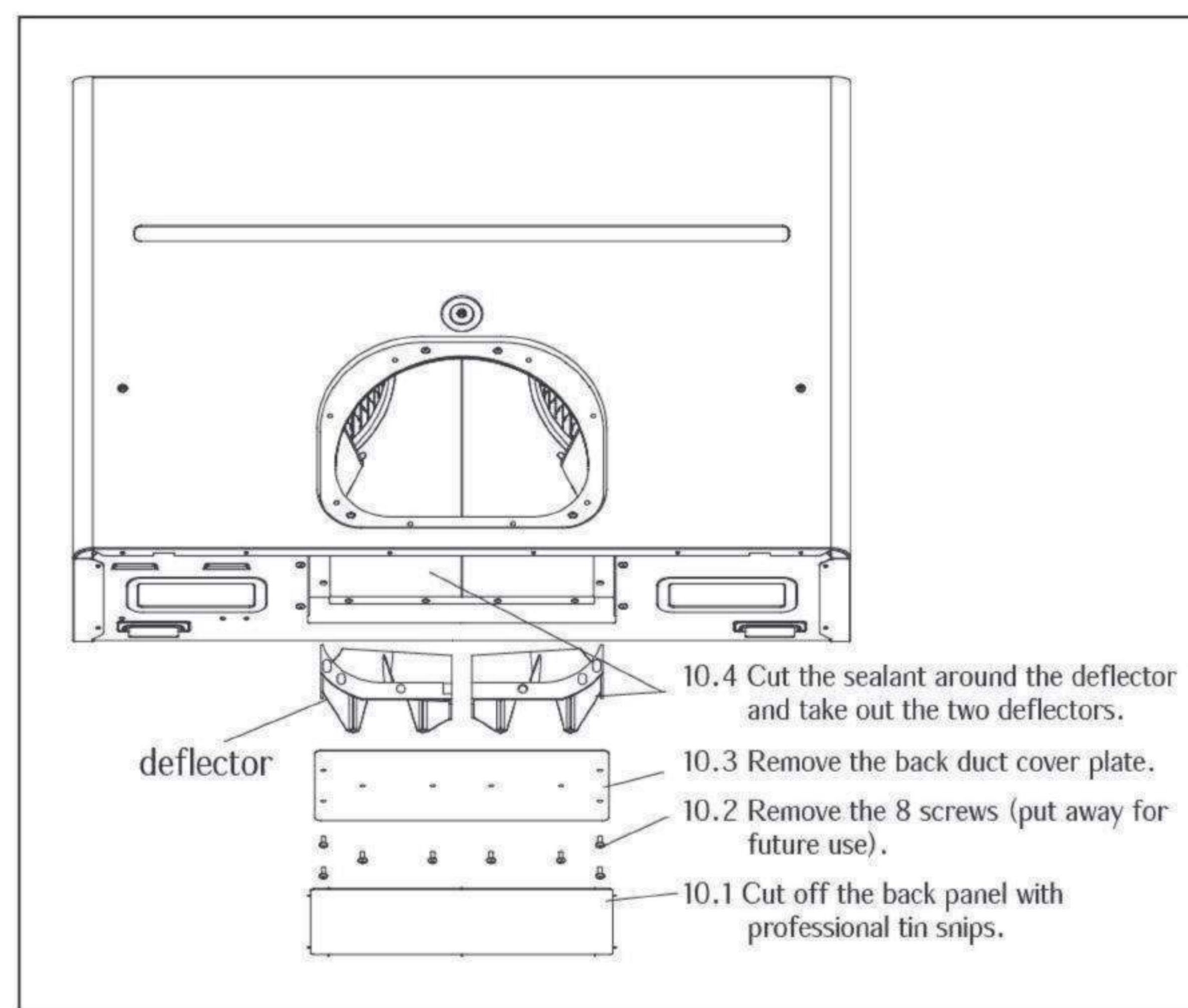


- 9.1 Lift the hood and insert mounting bracket into the back holes of the product.
- 9.2 Hold the hood up against the bottom of the cabinet and secure with 3 screws (#10x2 13/16" or M5*70mm) and gaskets (Φ1 5/16" or Φ32mm).
- 9.3 Place the vent duct gasket on the air outlet.
- 9.4 Fix the vent duct with #8x3/4" or M4x18mm screws.
- 9.5 Attach the pipe and seal it with professional sealing tape.
- 9.6 Connect the power wire.
- 9.7 Peel off the protection film from the capture-shield plates (integrated oil cups) and install them in places.

Note: Do not confuse the left and right capture-shield plates (integrated oil cups).



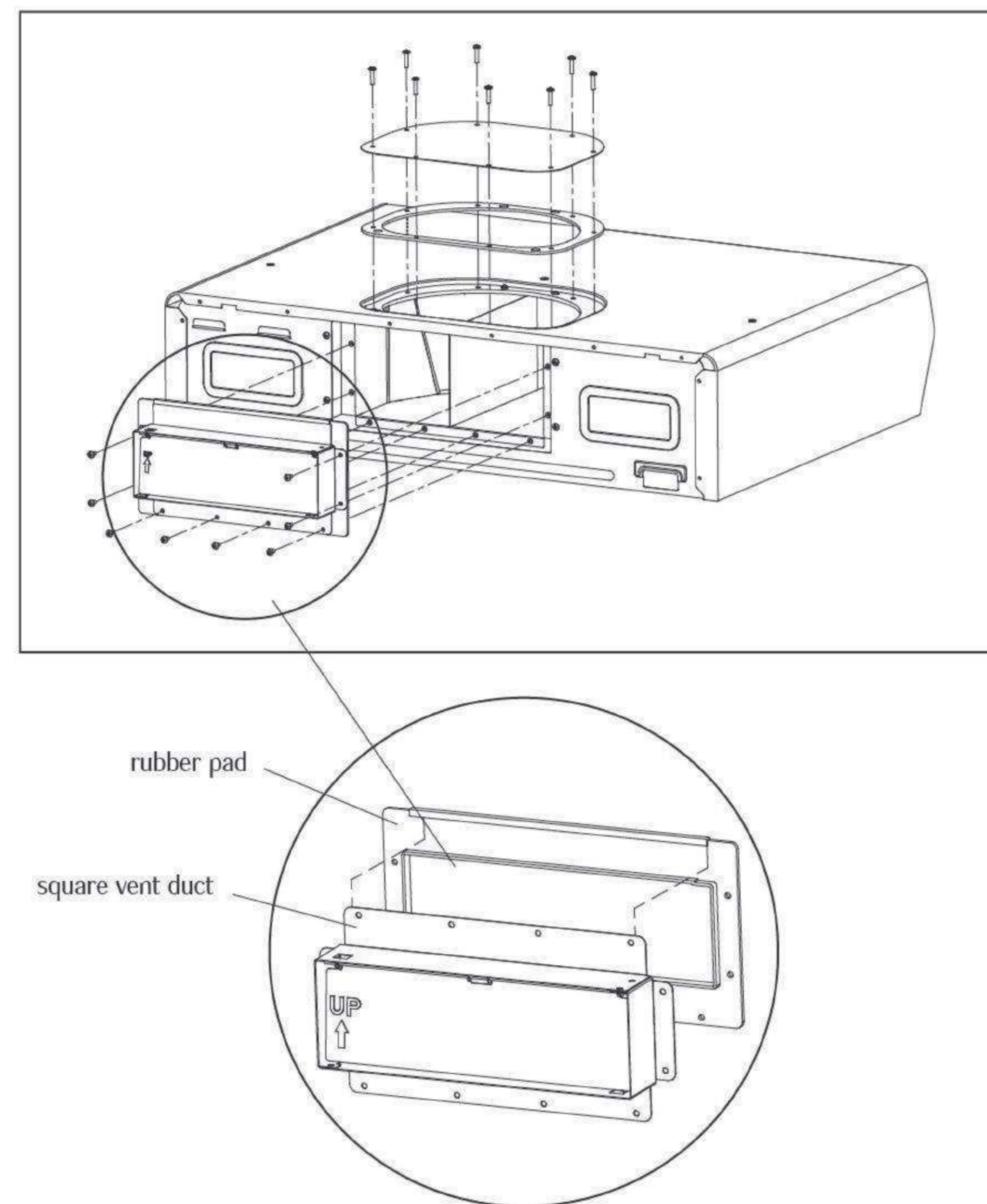
◇Horizontal Duct



Step 10.1-10.4, please refer to the Figure above.

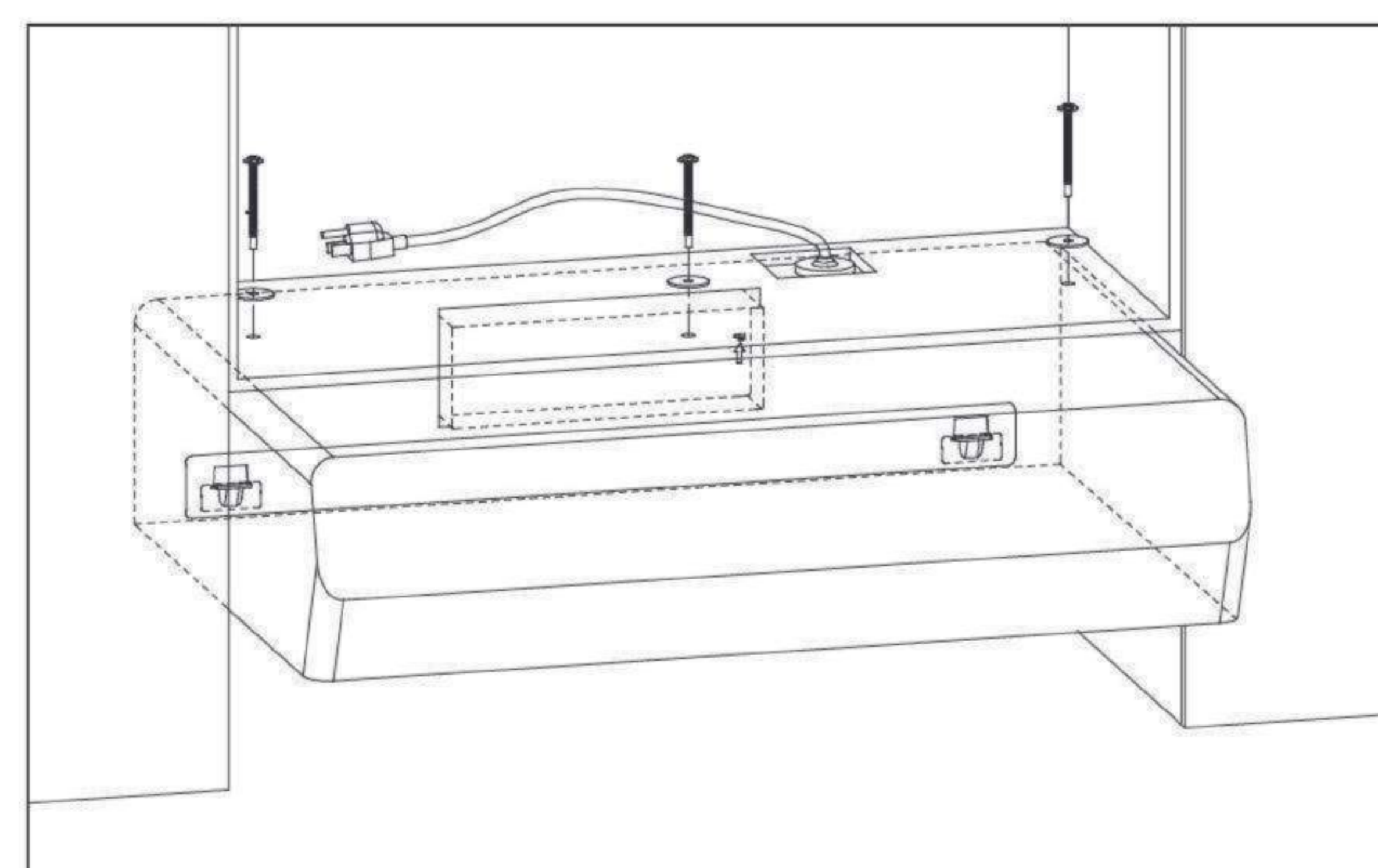
10.5 Hang the rubber pad onto the edge of the square vent duct and fix the duct to the back of the hood with the 8 screws that are collected previously.

10.6 Place the vent duct gasket on the air outlet with the gap facing down and then fix the vertical cover plate with 8 long screws #8x3/4" or M4x18mm.



10.7 Lift the hood. Firstly, run the power wire through the pre-drilled hole, then push the hood horizontally until it is pressed firmly against the back wall.

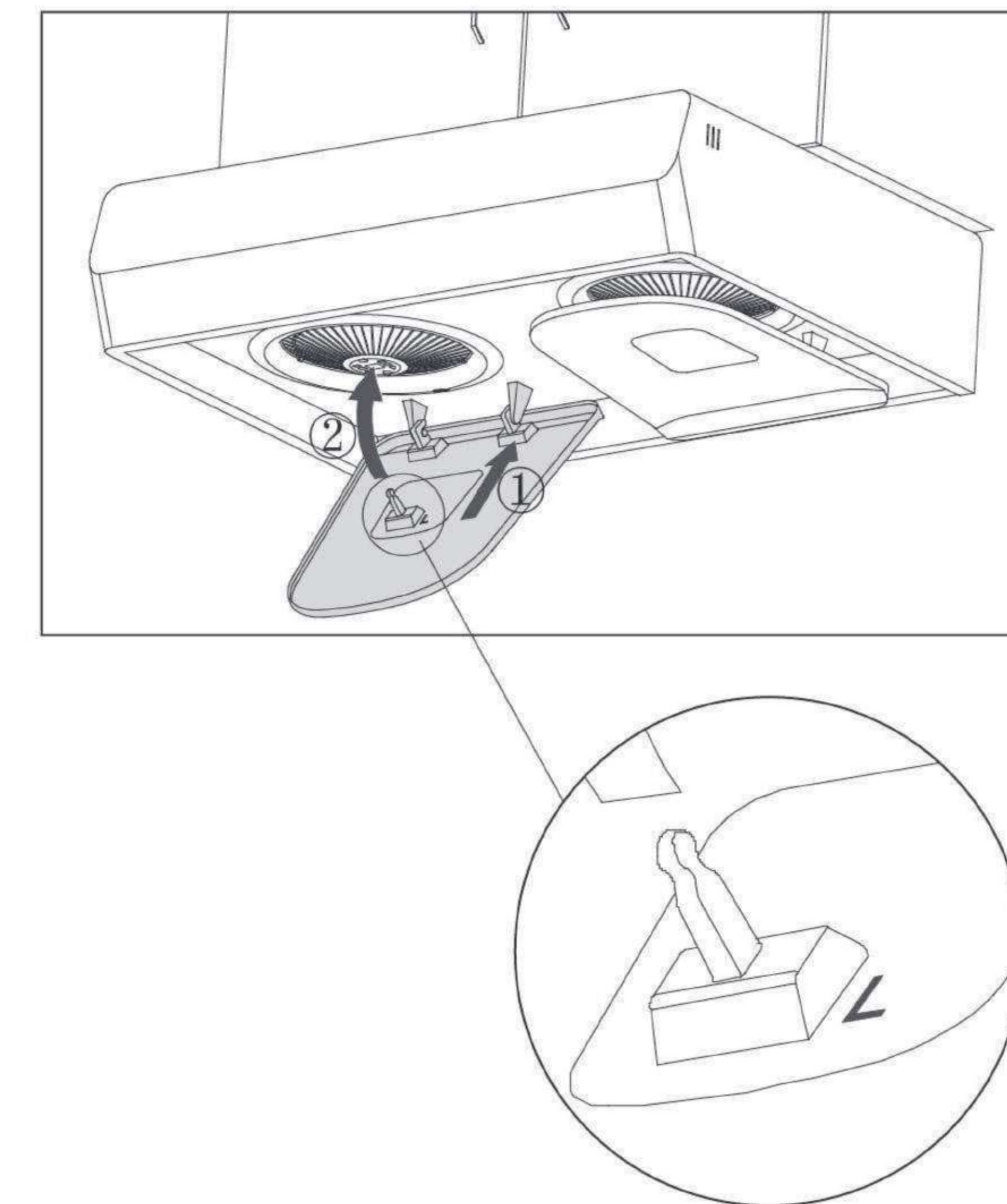
10.8 Hold the hood up against the bottom of the cabinet and secure with 3 screws (#10x2 13/16" or M5*70mm) and gaskets (Φ1 5/16" or Φ32mm).



10.9 Connect the power wire.

10.10 Peel off the protection film from the capture-shield plates (integrated oil cups) and install them in places.

Note: Do not confuse the left and right capture-shield plates (integrated oil cups).



CFM Adjustment Technology

CFM Adjustment Technology (CAT)

Some local codes or regulations have limits on CFMs. FOTILE CAT function of Pixie Air series enables the builders/installers/contractors to set the maximum CFM no more than 400CFM. Or the consumers may prefer to enjoy more effective ventilation with a make-up air system.

Under CAT state and normal state (i.e., ex-factory state), the motor speeds corresponding to the airflow are as follows:

Air Flow	Speeds corresponding to different conditions	
	CAT Status	Normal Status
Boost	Function Failure	P4
High	P2	P3
Medium	P2	P2
Low	P1	P1

Operation Instructions:

1. Under normal state with the product in OFF state, press and hold the ☼ Illumination and (S) Air Management, the indicators are constantly on.

* For UQG3002, please turn on the power first and use mark pen to mark the icon ☼ and (S) slightly.

2. Press ⚙ High Speed and hold for 3 seconds in 10s and the buzzer will sound a long beep: If it's UQS3001, the (S) Air Management indicator turns green. If it's UQG3002, the ○ Light Ring is displayed in green.

3. All indicators are out after 2s, the product will be in off mode.

4. The range hood is with CAT function. That is, the speed related to ⚙ High/Boost is switched to P2 (the same speed as Medium, less than 400CFM).

* If no operation with the combination buttons in 10s, the range hood returns to the factory-set off state.

CAT Self-examination:

If you want to check whether the range hood is with CAT or not,

1. Under normal state with the product in OFF state, press and hold the ☼ Illumination and (S) Air Management, the buttons are constantly on.

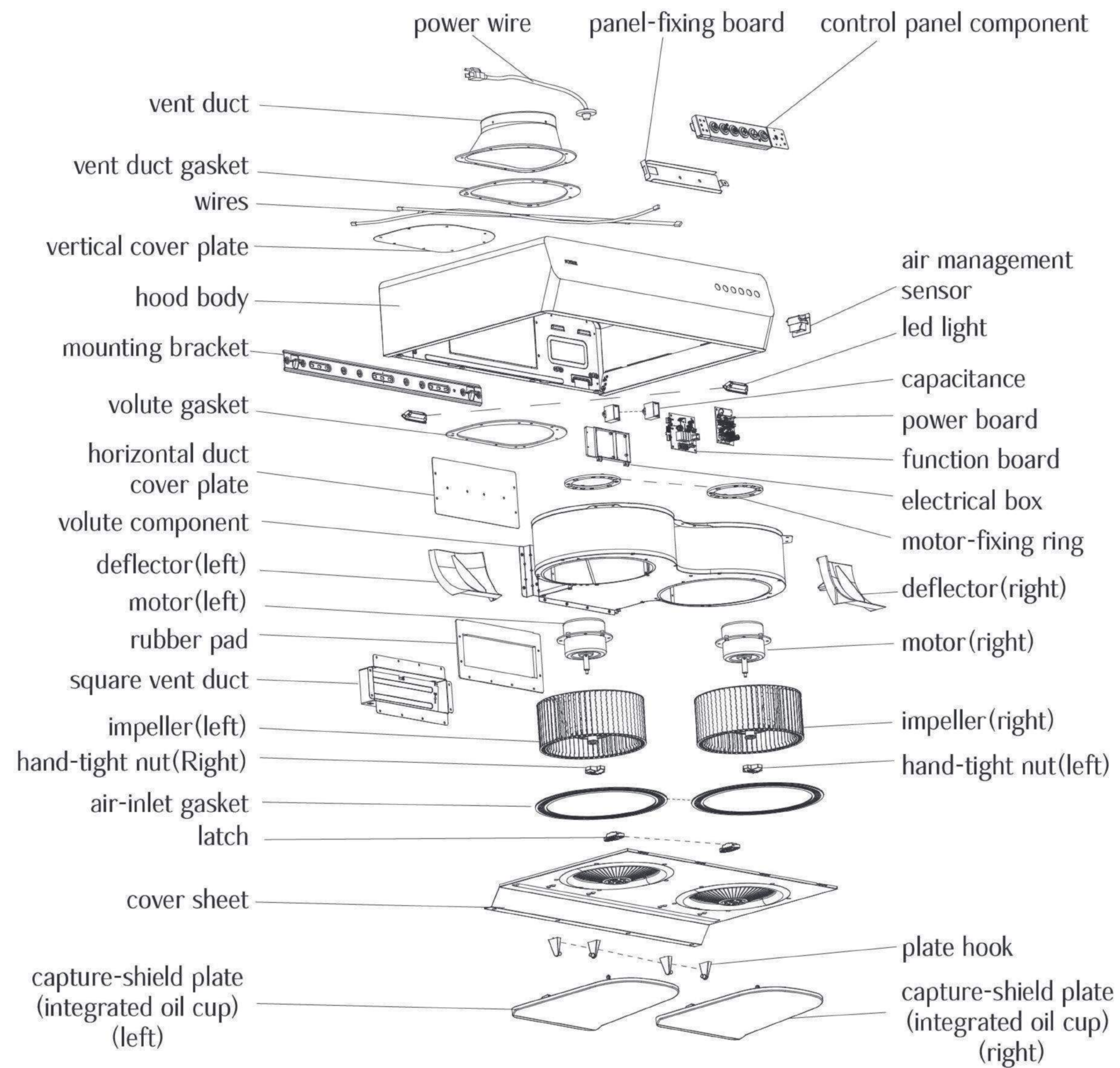
2. In case of CAT state: For UQS3001, the (S) Air Management is constantly on in green, and the other indicators are constantly in white.

For UQG3002, the ○ Light Ring is constantly on in green, and the other indicators are constantly in white.

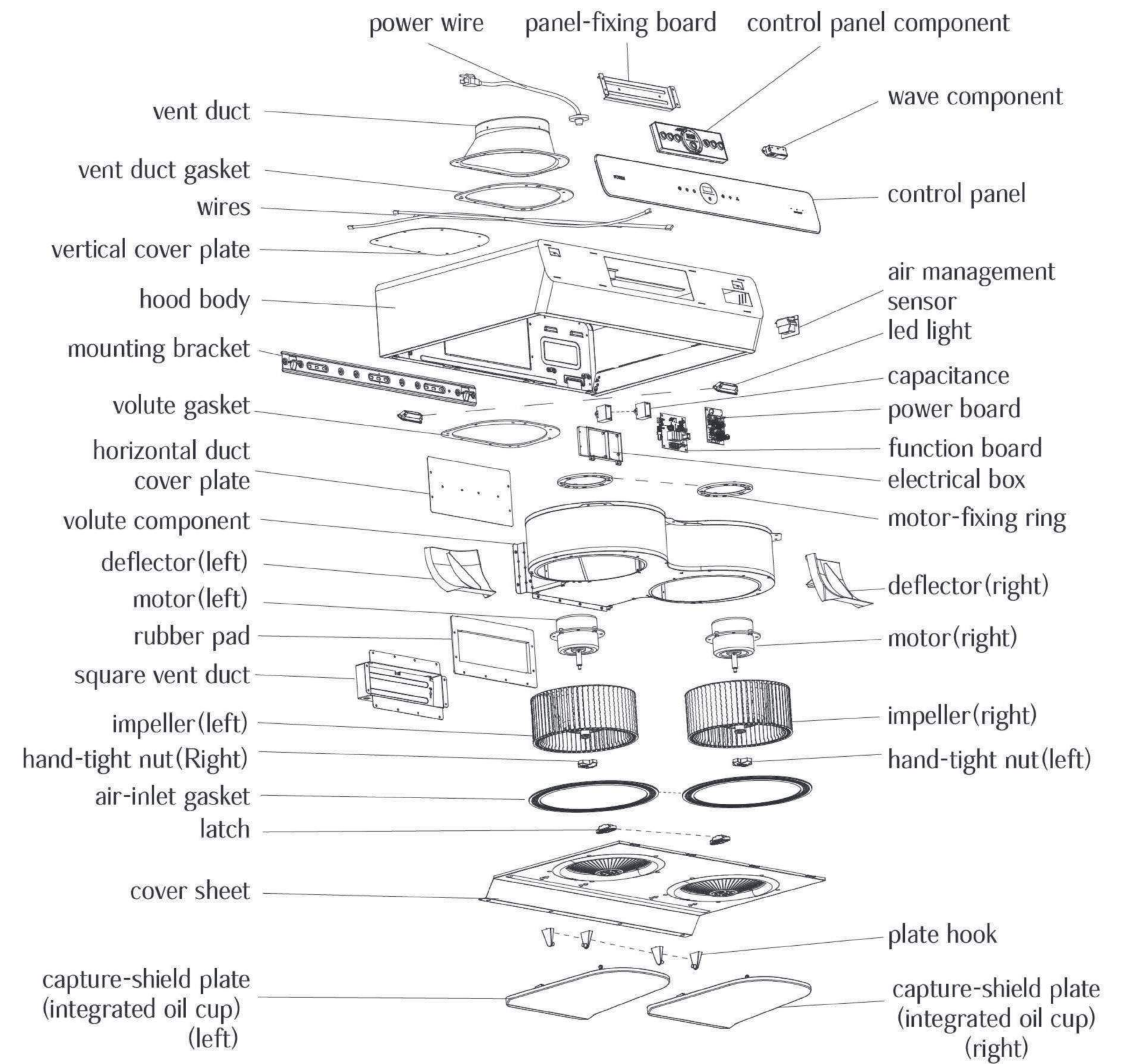
3. In case of a non-CAT state, the indicators are constantly on in white. After 2s, all indicators are out, and the product is in off mode.

Explosive View

UQS3001



UQG3002



尊敬的用户，您好！

感谢您选购方太公司为您精心制造的方太系列产品。

使用和安装前，请您务必认真阅读此说明书相应内容并遵从要求操作。这对于维持产品的良好工作状况十分重要，也有助于您获得满意的下厨体验。

我们建议您，任何时候如有需要维修或服务时，请与方太公司服务中心联系，以便我们能及时为您服务。

方太厨电，全球厨房的幸福选择！

目 录

安全须知	52
使用与保养	55
产品参数	55
操作指导	55
清洁保养	57
故障排除	58
客户服务	59
安装指导	60
安全须知	60
工具配件	61
产品尺寸	63
安装示意	64
风量控制	66
爆炸图	67

安全须知

为确保方太产品的安全和高效使用，请注意产品说明书中以下突出显示信息：

* 警告：标明如不遵守预防措施则可能导致严重人身伤害或死亡等危险。

* 注意：表示如不遵守指导说明则可能出现轻微人身伤害或产品损坏。

* 重要：强调非常重要的信息。

安全须知

请确保在使用产品前阅读此安全须知

请务必保留此安全须知信息

本产品仅限室内家用

为避免任何对油烟机的意外风险和损害，请在开始安装和使用前仔细阅读此产品说明书。只有这样您才能安全正确地操作此产品，降低火灾、电击或者人身伤害等风险。请保留此产品说明书，以供今后使用或后续用户使用。



● 触电危险

有缺陷的产品可能引起电击，绝不启动有缺陷的产品。如发现问题请将此产品从电源上拔下或切断总电源，并请联系方太授权的服务中心。

■ 此产品应使用专用电源插座，并且专用电源插座应有可靠接地，因为电源线中途连接、使用延长线以及多口配线器时易发生触电、插头插座发热以及火灾。请确保由专业电工在严格按照所在国家和地方的电力法规进行操作，接线以前，请先关闭电源并采取合理措施防止电源开关自动闭合。

■ 禁止使用 125V 以上的交流电，以免引起危险。

■ 禁止将此产品安装在浴室或湿度高的场所，这样容易造成触电。

■ 如果电源线损坏，请联系授权服务提供商或合格技术人员进行更换。

■ 请不要对电源线进行改制、拉伸结扣以及施加重物、挤压等，否则易导致电源线破损而发生触电和火灾。

■ 严禁电机、开关、接插件等电器部件沾水，禁止用水冲洗油烟机。油烟机被水淋湿后，请不要使用，如果使用会导致漏电、触电。

■ 禁止私自改动产品内部布线，否则有可能发生异常动作导致人体受伤。不当修理可能发生触电、火灾等危险。

■ 在清洗产品、提供安装或维修服务之前，必须切断电源，以免触电。

■ 请不要使用任何可能导致电击的高压清洁剂或蒸汽清洗器。

■ 请不要用潮湿的手触摸电源插头电器部件以及操作电源开关，否则易发生触电。

● 接地说明

■ 此产品必须接地。如果发生短路，接地可以降低电击的危险。此产品配有接地插头的电源线。插头必须插在合理安装并接地的电源插座上。

■ 不合理接地会导致电击危险。

■ 如并未完全理解接地说明或者对产品是否已合理接地存在疑虑，请咨询合格电工。

■ 请不要使用延长线。如果电源线过短，请合格电工在产品附近安装电源插座。

● 火灾危险

■ 为降低火灾危险并合理排气，请优先外排。请不要将废气排到墙体、天花板、阁楼、窄小空间或车库中。

■ 如果不按本说明书规定的方法清洗，油烟机有起火的危险。

■ 热油和油脂会快速点燃，绝不让热油或油脂处于无人看管状态。

■ 油网中油脂沉淀物可能着火，请定期清洗油网。

■ 请勿在无油网的情况下操作此产品。

■ 油网中的油脂沉淀物可能着火，绝不在此产品附近使用明火。请不要在使用固体燃料（比如木头或煤）的加热设备附近安装此产品。禁止有飘飞的火花。

■ 请避免在烟机下方使用会产生火焰的食品。

■ 为降低灶台油火风险：

1. 绝不使灶台表面的器具在无人看管下高档位运行。溢锅造成冒烟和可能起火的油脂外溢，请在低档或中档设置下缓慢加热油脂。

2. 烹饪时请总是开启烟机。

3. 烹饪产生的油脂可能分布在环境中，如地面、橱柜、油烟机表面和排烟管路等，请定期清洁降低起火风险。

4. 请使用合适尺寸的锅具。请总是使用与灶台表面的器具尺寸吻合的炊具。

■ 为降低灶烤一体机上方油火对人身伤害的危险，请遵守以下说明：

1. 用合身的锅盖、烤板或金属托盘扑灭火焰，然后关闭灶具。注意谨防烫伤。如果火焰未立即熄灭，请疏散并报警。

2. 油锅着火时，请立即关闭油烟机（油烟机的运行会助燃火势）。立即采用有效的灭火措施，如用金属封盖盖住明火、关闭燃气总阀、使易燃物远离明火等。

3. 绝不拿起着火的锅具，您可能被烫伤。

4. 请勿用水，包括湿抹布或毛巾灭火，这样会导致猛烈的蒸汽喷发。

■ 仅在以下条件使用灭火器：

1. 当您上过基础的灭火器课程，并且已经知道如何操作；

2. 当火较小并且控制在火源处；

3. 当您已打火警电话；

4. 当您背向出口时可救火。

● 人身伤害危险

■ 此产品不适用于（包括儿童在内）身体、感知或精神能力减弱或缺乏经验或知识的人群，除非在对其安全负责的人监督或指导如何安全使用此产品的情况下。孩童应受监管，确保其不玩弄此产品。

■ 油烟机可能有非常锋利的边，在进行安装、清洁或修理时，谨防被油烟机内金属板快口等划伤和擦伤。应佩戴合格的防护手套。

■ 操作中可触及部分会变得很烫。绝不触摸变烫的部分。保持儿童在安全距离以外。

■ 请勿触摸已经开启或刚关闭不久的灯，以免烫伤。

■ 油烟机叶轮运转时，禁止将手指或其他物品放入其中，以免造成伤害。

■ 此产品不应和外部钟表计时器或遥控器配合使用。

■ 不正确的维修很危险。仅合格的售后服务技师才可进行维修。

■ 出现异常现象时，请关闭产品电源，拔下电源插头或者切断总电源，马上与方太授权的服务中心联系。异常状态下连续运转易发生触电、火灾等危险。

■ 本产品可能会使您暴露于化学物质，加利福尼亚州已知该化学物质可致癌和出生缺陷或其他生殖危害。如需了解更多信息，请访问：

www.P65Warnings.ca.gov

● 窒息危险：

■ 包装材料对儿童有危险。绝不允许儿童玩弄包装材料，这可能会产生窒息事故，所以请让包装材料远离儿童，包装材料不是玩具。

● 死亡危险：

■ 烟道倒灌有中毒危险。当此产品在排气模式下运行，同时依赖于房内空气的加热设备也在运行时，请总是确保屋内有充足空气保证充足燃烧和排气。请通过烟道（烟囱）排放废气，防止废气倒灌。

因使用不当或误操作造成的伤害厂商不负责任。

注意

- 若当地适用的法规包含更为严格的安装和认证要求，上述要求优先于此文档中相应的要求，并且安装人员同意遵守这些要求。
- 油烟机使用环境的温度不能超过104°F (40°C)。
- 请不要在此产品上放置任何物品，产品上放置的东西可能跌落或倾倒。例如把调料瓶放置在油烟机顶部，倾倒后可能造成液体流入产品内部，导致带电部件损坏，造成不必要风险。若因此造成的产品损坏，本公司不承担免费保修责任。
- 请及时清理油杯中的废油，防止溢出。油杯中所收集的废油请勿食用！请不要在油杯中放置易燃物，如保鲜膜、厨房纸等。
- 当在墙上或天花板上开凿或钻孔时，请注意不要损坏电线、水管、燃气管道以及其他隐藏的设备。
- 请遵照加热设备厂商的指导方针和安全标准，如美国消防协会，美国采暖、制冷和空调工程师协会和地方法规指定当局发布的指导方针和安全标准。同时要遵照消防等管理部门颁布的安全标准。当燃气灶在空烧时，会产生大量热量，安装在其上方的油烟机可能会受损或着火，请仅在有用锅具时操作燃气灶。
- 为避免任何可能对产品的损害，请确保实际电压和频率与本说明书中阐明的一致。
- 请确保使用我司提供的标准配件，以防油烟机意外跌落；墙上开的洞应精准符合膨胀管的尺寸，否则，油烟机可能松动跌落。
- 本公司产品上使用了钢化玻璃，玻璃的钢化机理决定这种玻璃存在极小概率的自爆。一旦发生非使用不当的自爆，我公司承诺免费更换该配件。钢化玻璃在以下情况，发生破裂的几率可能会大大提高，请避免发生：例如用炊具或其他硬物敲击玻璃，特别是敲击玻璃四个角部；打开油烟机周围橱柜门时撞击到玻璃；玻璃处于过冷和过热、冷热交替严重的环境等情况。
- 擅自改装此产品会产生风险。

重要

- 本产品仅用于家庭室内使用，不可用于室外。仅按照制造商的方式使用本产品，若您在室外或特殊场合使用本产品，方太将不承担任何责任。如果您有任何问题，请联系方太授权的服务中心。
- 使用此新产品之前请开封检查此产品是否受损，如果发现此产品有明显的损坏，请勿安装使用，请您立即联系方太授权的服务中心。
- 请保持此油烟机远离石膏板粉末、建筑尘埃等物质。
- 请仅以本说明书指定的方式使用。请不要在无人看管情况下运行此产品。如有疑问，请联系方太授权的服务中心。
- 作为使用者，您对家中的油烟机负有清洁保养和正确使用使用的责任。
- 根据实际条件清理金属油网。
- 油烟机电机有热过载功能，此功能在电机过热时会自动关闭电机，当电机冷却下来后会重新启动，如果电机不断关闭、重启，请联系方太授权的服务中心。
- 油烟机若长期不用，请拨下电源插头。
- 请确保此产品正确的安装和维修。此产品必须符合所有适用的规范和标准，包括防火建筑的规范和标准，由合格技师进行正确安装和接地。安装人员负责确保此产品在其安装位置正常工作。
- 请按照当地法律法规要求安装止逆阀。
- 仅用于一般排气使用。请不要使用此油烟机排放有害或爆炸性材料和气体。
- 产品自身不可燃。
- 为降低火灾危险，所有排烟管、烟道和设备应是不可燃的，请仅使用金属管道。绝不可燃塑料或纸张覆盖油烟机。
- 保修服务须由方太公司认可的服务机构或人员执行。如私自拆机维修，产品将不享受保修。
- 请阅读油烟机上的规格标签，以便了解更多信息和要求。
- 如用户房屋密封，安装有大功率烟机，建议安装补充空气装置。方太油烟机的配置，建议密封性高的新房用户安装补充空气装置。如所属州或地区有相关法律规定要求，请遵守相关法律规定要求安装相应补充空气装置。
- 本产品仅限于美国和加拿大使用。

使用与保养

产品参数

		Pixie Air	
型号		UQS3001	UQG3002
认证		ETL	ETL
产品尺寸	宽度	29 13/16inches (757mm)	29 13/16inches (757mm)
	深度	22 1/16inches (560mm)	22 1/16inches (560mm)
	高度	8 5/16inches (210mm)	8 5/16inches (210mm)
电源		120V/60Hz	120V/60Hz
功率		256W	260W
灯功率		3W×2(LED)	3W×2(LED)

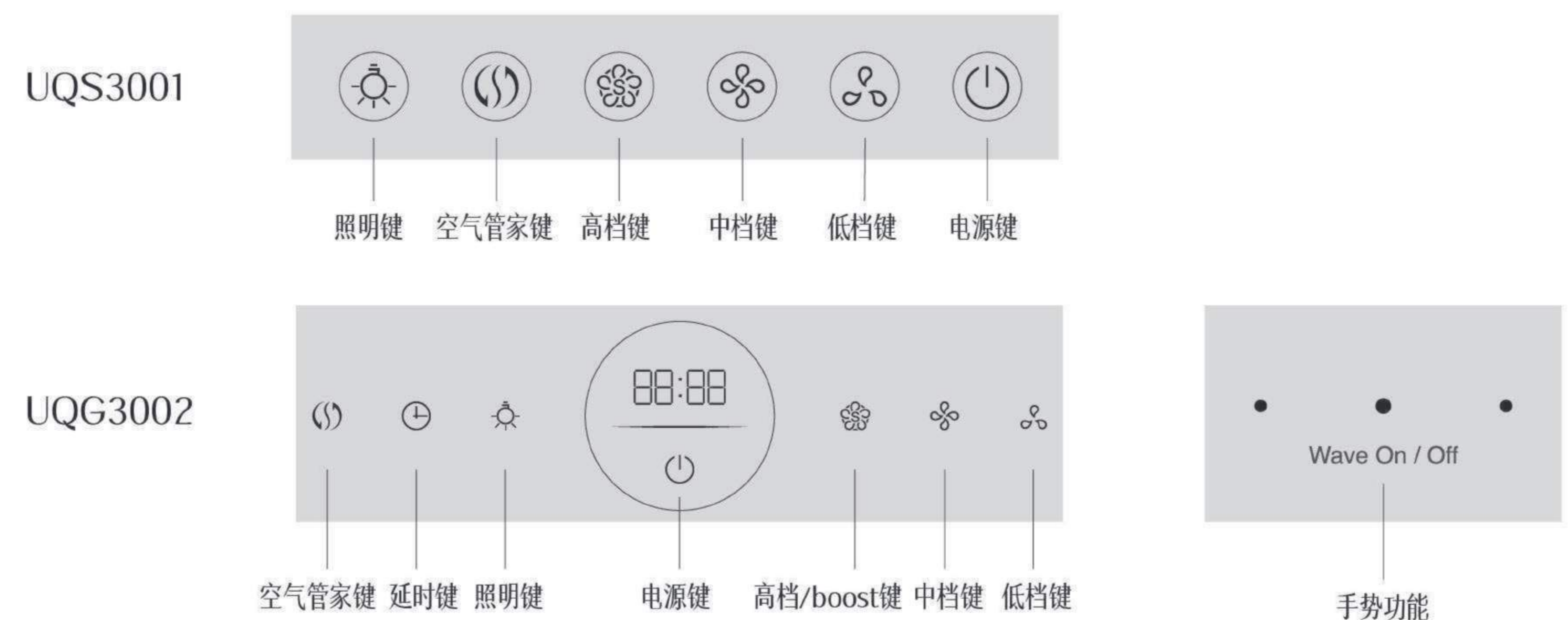
操作指导

警告

- 防过猛过重操作按键。
- 防灶具空烧，直接烘烤油烟机。
- 防通电拆卸和违嘱拆卸。
- 防蝶翼板（一体式油杯）油满外溢。
- 防非专业人员拆检。

操作

1. 操作界面



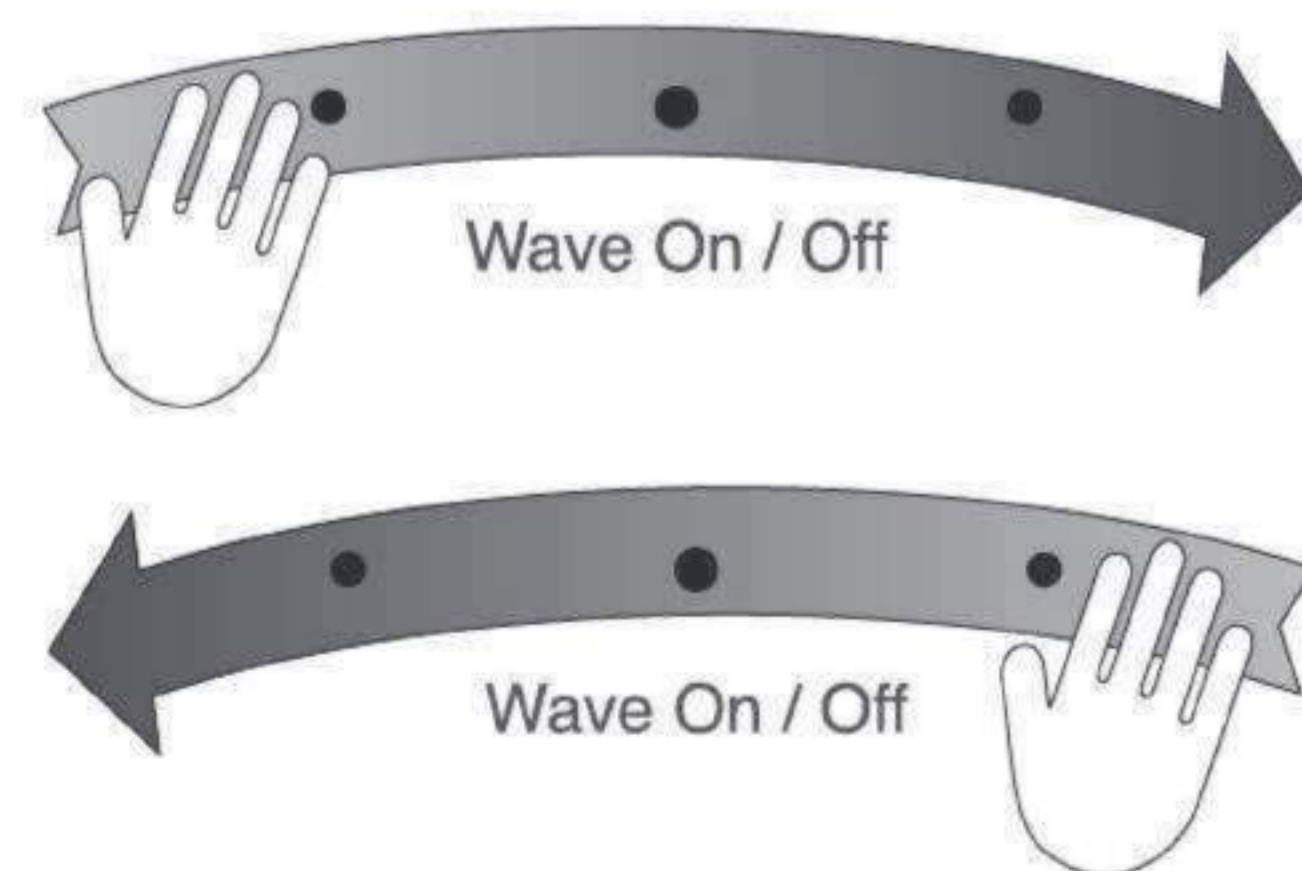
2. 操作指导

UQS3001

1. 电源键：在关机时短按一下，油烟机进入待机状态，电源键指示灯全亮；在工作状态下短按一下，所有功能关闭，按键灯熄灭，油烟机处于关机状态。（待机状态下才可开启以下功能，若2分钟内无操作，则自动关机）
2. 高档键：短按一下，风机启动，高档指示灯全亮，油烟机在高档运行；再短按一下高档键，电机停止运转，高档指示灯熄灭。
3. 中档键：短按一下，风机启动，中档指示灯全亮，油烟机在中档运行；再短按一下中档键，电机停止运转，中档指示灯熄灭。
4. 低档键：短按一下，风机启动，低档指示灯全亮，油烟机在低档运行；再短按一下低档键，电机停止运转，低档指示灯熄灭。
5. 照明键：短按一下，照明灯打开，照明指示灯全亮；再短按一下，照明灯关闭，照明指示灯熄灭。
6. 空气管家键：短按一下，空气管家键指示灯绿色呼吸闪烁，油烟机进入智能检测空气质量状态；检测到空气质量好时，空气管家键指示灯显示为绿色，风机不运转；检测到空气质量较差时，空气管家键指示灯显示为粉红色，油烟机在低档运行；检测到空气质量差时，空气管家键指示灯显示为红色，油烟机在高档运行。

UQG3002

1. 手势功能：关机状态下挥手快速经过右上端感应窗口，油烟机在高档运行，高档指示灯全亮，照明灯打开至全亮，照明指示灯全亮；非关机状态下挥手快速经过右上端感应窗口，油烟机所有功能关闭，所有显示熄灭，油烟机处于关机状态。



注：

(1) 挥手距离（手与感应区间距）≤5"。

(2) 建议蒸煮时开启油烟机，否则较多水蒸气经过感应区可能触发手势功能。

2. 电源键：在关机时轻触一下，油烟机进入待机状态，大光圈和电源键指示灯全亮，所有按键（除延时键）指示灯微亮；在工作状态下轻触一下，所有功能关闭，所有显示熄灭，油烟机处于关机状态。（待机状态下才可开启以下功能，若2分钟内无操作，则自动关机）
3. 高档/boost键：轻触一下，风机启动，高档/boost档指示灯全亮，油烟机在高档运行；再轻触一下高档/boost键，电机停止运转，高档/boost档指示灯恢复至微亮。长按高档/boost键，高档/boost档指示灯全亮绿色，油烟机在boost档运行；再次长按高档/boost键，油烟机退回到高档运行，高档/boost档指示灯全亮；再轻触一下高档/boost键，电机停止运转，高档/boost档指示灯恢复至微亮。
4. 中档键：轻触一下，风机启动，中档指示灯全亮，油烟机在中档运行；再轻触一下中档键，电机停止运转，中档指示灯恢复至微亮。
5. 低档键：轻触一下，风机启动，低档指示灯全亮，油烟机在低档运行；再轻触一下低档键，电机停止运转，低档指示灯恢复至微亮。
6. 照明键：轻触一下，LED灯打开至低档亮度，照明指示灯半亮；再轻触一下，LED灯打开至高档亮度，照明指示灯全亮；再轻触一下，LED灯关闭，照明指示灯恢复至微亮。
7. 延时键：在油烟机工作状态下，即风机、空气管家、照明至少一个功能开启时，轻触一下，延时指示灯全亮，油烟机进入5分钟延时状态；再轻触一下，油烟机进入15分钟延时状态；再轻触一下，油烟机进入30分钟延时状态；再次轻触一下，吸油烟机退出延时状态，延时指示灯恢复至微亮，油烟机保持当前工作状态。油烟机在延时状态时，数码管显示剩余时间，延时间到后，所有功能关闭，所有显示熄灭，油烟机关机。当油烟机不工作时，延时键无效。
8. 空气管家键：轻触一下，空气管家键指示灯全亮，大光圈白色呼吸闪烁，油烟机进入智能检测空气质量状态；检测到空气质量好时，大光圈显示为绿色，风机不运转；检测到空气质量较差时，大光圈显示为黄色，油烟机在低档运行；检测到空气质量差时，大光圈显示为红色，油烟机在高档运行。

清洁保养

警告

- 如果不按此说明书规定的方法清洗，可能有触电、火灾、人身伤害等危险。
- 清洁时应防止电机、各控制键等电气部件进水。水气进入电路会造成产品损坏或人身危险。
- 切勿使用汽油、酸性物质、苯、溶剂或任何其他化学药剂清洗油烟机。
- 请不要使用清洁球、粗布等粗糙物清洁，请不要用强效或磨砂类清洁剂，防止划伤机器。
- 电击危险
 - 渗透的水气可能导致电击。清洁保养油烟机前，请切断电源，以免触电。
 - 请不要使用任何可能造成电击的高压清洗机或蒸汽清洁装置。
- 火灾危险
 - 蝶翼板（一体式油杯）中的油脂沉积物可能着火。
 - 请不要在蝶翼板（一体式油杯）中放置易燃物，如保鲜膜、厨房纸等。
- 人身伤害危险
 - 油烟机可能有非常锋利的边缘，在清洁保养时，应佩戴合格的防护手套，以防受伤。
 - 当风机工作时，禁止将手放入风机运转区域以防受伤。
 - 产品工作时，顶部金属表面、LED灯可能会发热，请不要触摸相应区域以免烫伤。

注意

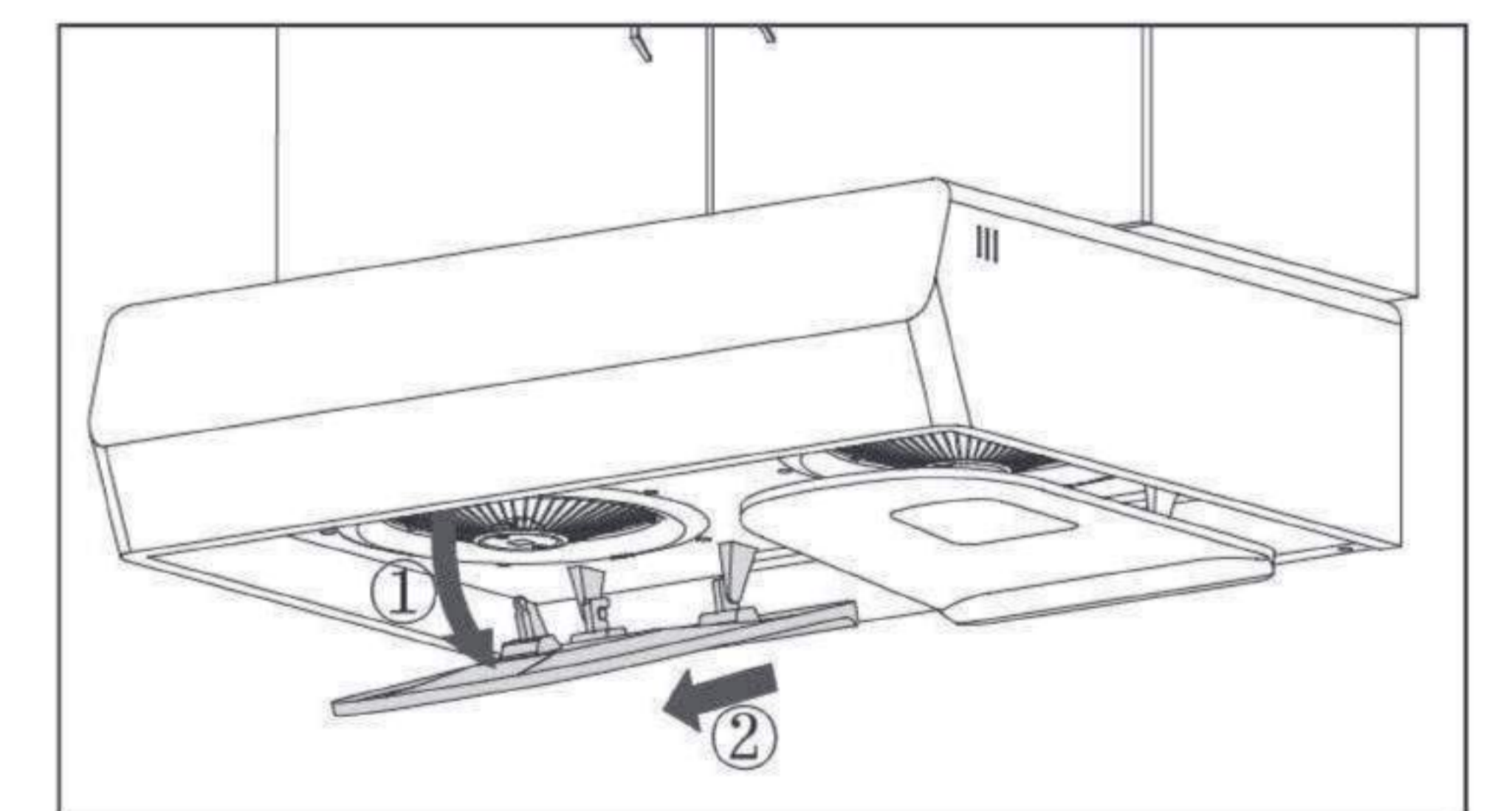
- 腐蚀（包括烹饪时未打开油烟机造成的冷凝液体），会造成损坏。
- 请仅沿不锈钢表面纹路进行清洁，避免造成表面损坏。
- 请不要使用任何不锈钢清洁剂，清洁按键或其它控制部件，避免造成表面损坏。

重要

- 每次清洁后，请务必将蝶翼板（一体式油杯）安装到位。
- 请勿在没有蝶翼板（一体式油杯）蝶翼板的情况下使用油烟机，可能会有安全隐患。

清洁步骤建议

- 玻璃表面：用柔软抹布配合中性洗涤剂擦拭，随后用干抹布擦干即可。
- 不锈钢表面：用柔软抹布配合中性洗涤剂擦拭，用干抹布擦干，如有需要，可用不锈钢清洁剂保养。
- 蝶翼板（一体式油杯）：烹饪结束后，用厨房湿纸巾擦拭表面即可。若需深度清洁，请双手取下蝶翼板（一体式油杯），避免过度倾斜以防止倾洒。可手洗（热水浸泡后冲淋）或直接放入洗碗机清洗。清洗过程中，如有需要，可加入中性洗涤剂，能更好地去除油污。
- 若需深度维保，请联系方太公司客服。



蝶翼板（一体式油杯）拆装示意图

故障排除

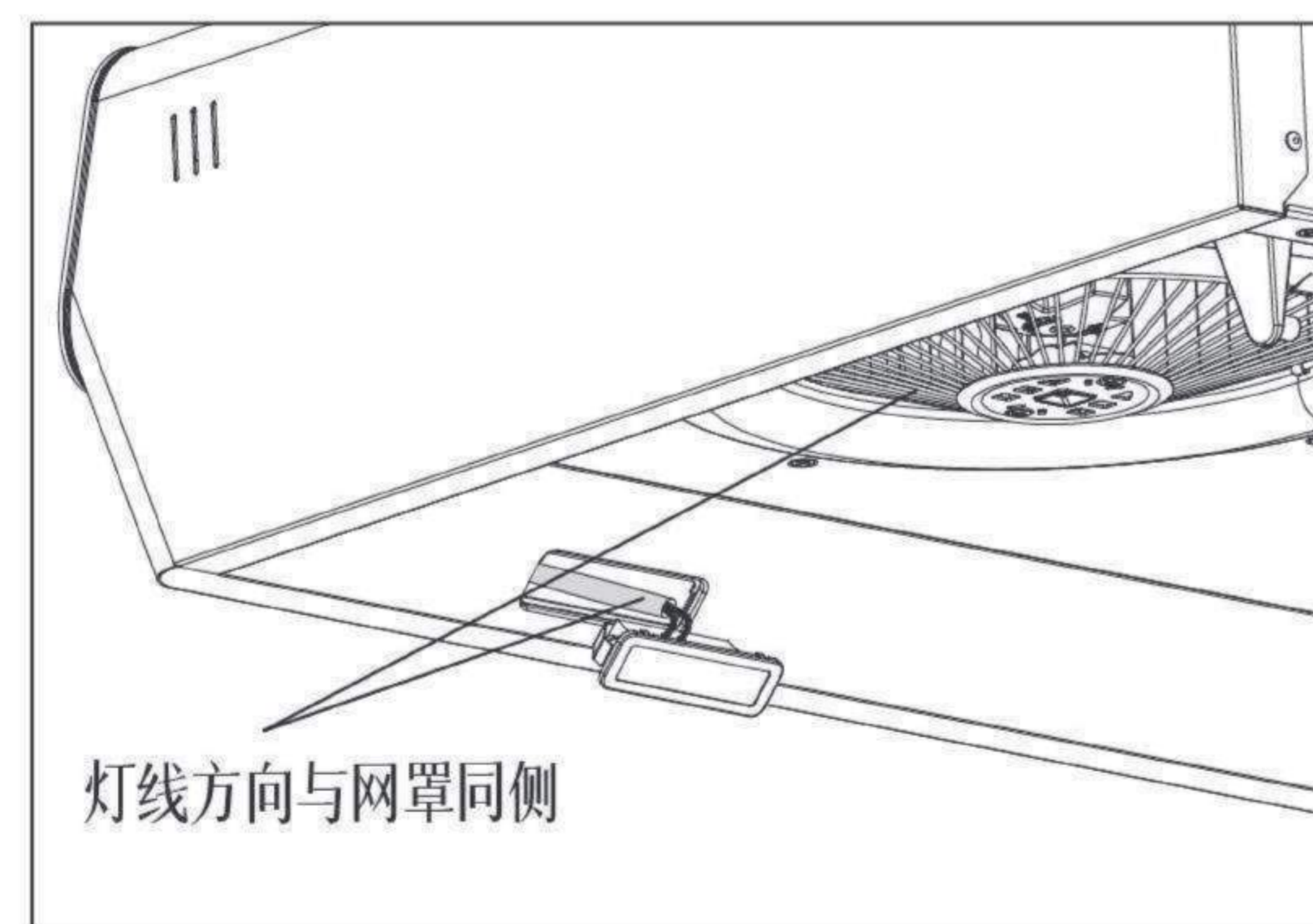
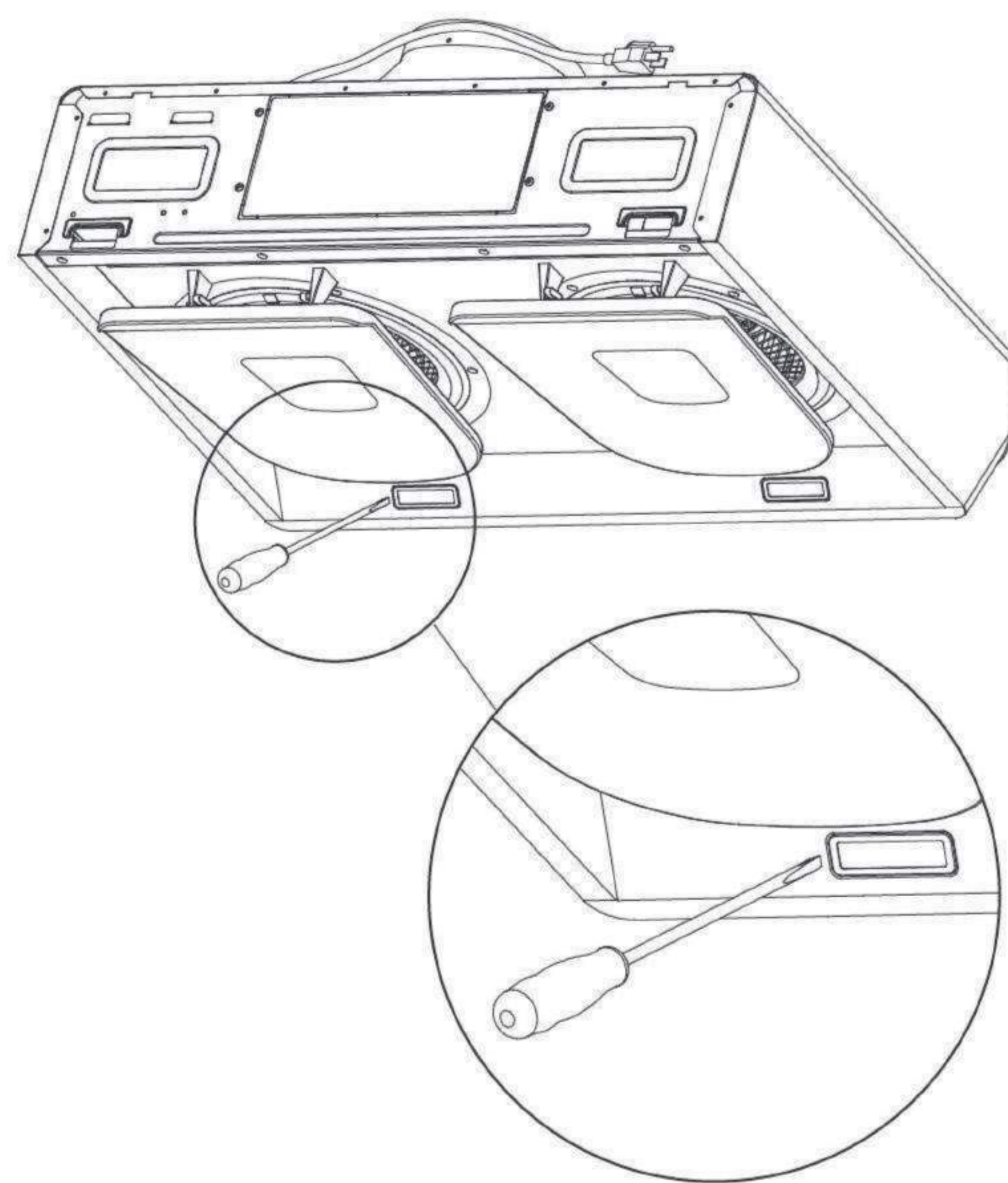
故障排除		
问题	原因	措施
油烟机不工作	电源没有开启	请确认电源线已连接，总电源已开启
	开关或控制板电源线松动	联系专业人士检修或咨询方太公司客服
按键和灯正常发亮，但是风机不工作	电源板或电容故障	联系专业人士检修或咨询方太公司客服
	电机故障	联系专业人士检修或咨询方太公司客服
烟机工作时抖动	叶轮可能有松动	联系专业人士检修或咨询方太公司客服
	烟机和橱柜没有充分固定	拧紧橱柜底部螺丝，确保烟机贴紧橱柜
风机工作，但是灯不会亮	接线松动	联系专业人士检修或咨询方太公司客服
	灯发生故障	联系专业人士检修或咨询方太公司客服
吸油烟效果不理想	油烟机安装得太高	参考安装指导手册，确保油烟机底部，距离灶具面24in-28in
	来自打开的窗户、门或空调的气流，干扰了烟机工作	使用烟机时，减少环境气流波动
	排风管或排烟口有堵塞	查检排风管道和排烟口，清除堵塞物
	出风口方向有逆风	调整出风口方向，或安装挡雨罩减弱逆风影响
	使用的排风管直径小于出风口	调整排风管尺寸

LED灯更换:

1. 拔掉或切断油烟机电源;
2. 用小型一字螺丝刀轻微插入LED灯边缘，撬下LED灯;

3. 拆开LED灯连接线，更换新的LED灯。

注：安装时灯线须朝油烟机内侧进风口方向。



客户服务

- 如果您需要服务，建议您先阅读以下保修条款

保修条款:

方太所有油烟机产品，享有五年零件有限质保，电机终身有限质保。

自购买日期起:

第一年和第二年人工和配件免费。

第三年到第五年配件免费（不包含人工）。

电机配件终身免费（不包含人工）。

本条款适用于2019年11月15日或之后购买的油烟机。

以下情况不在保修条款覆盖范围内:

- 免费上门，确认安装条件，或指导如何使用产品等。
- 用户自行运输、安装或维护不当。
- 因产品被滥用、误用、修改或用于其他目的或商业用途，导致产品故障。
- 未按照说明书要求进行清洁保养，导致损伤。
- 事故、火灾、洪水或不可抗力等因素造成的产品损坏。
- 超出正常使用条件，强行使用本产品造成的故障和损伤，如电压不符合。
- 购买凭证和产品的保修注册信息不符。

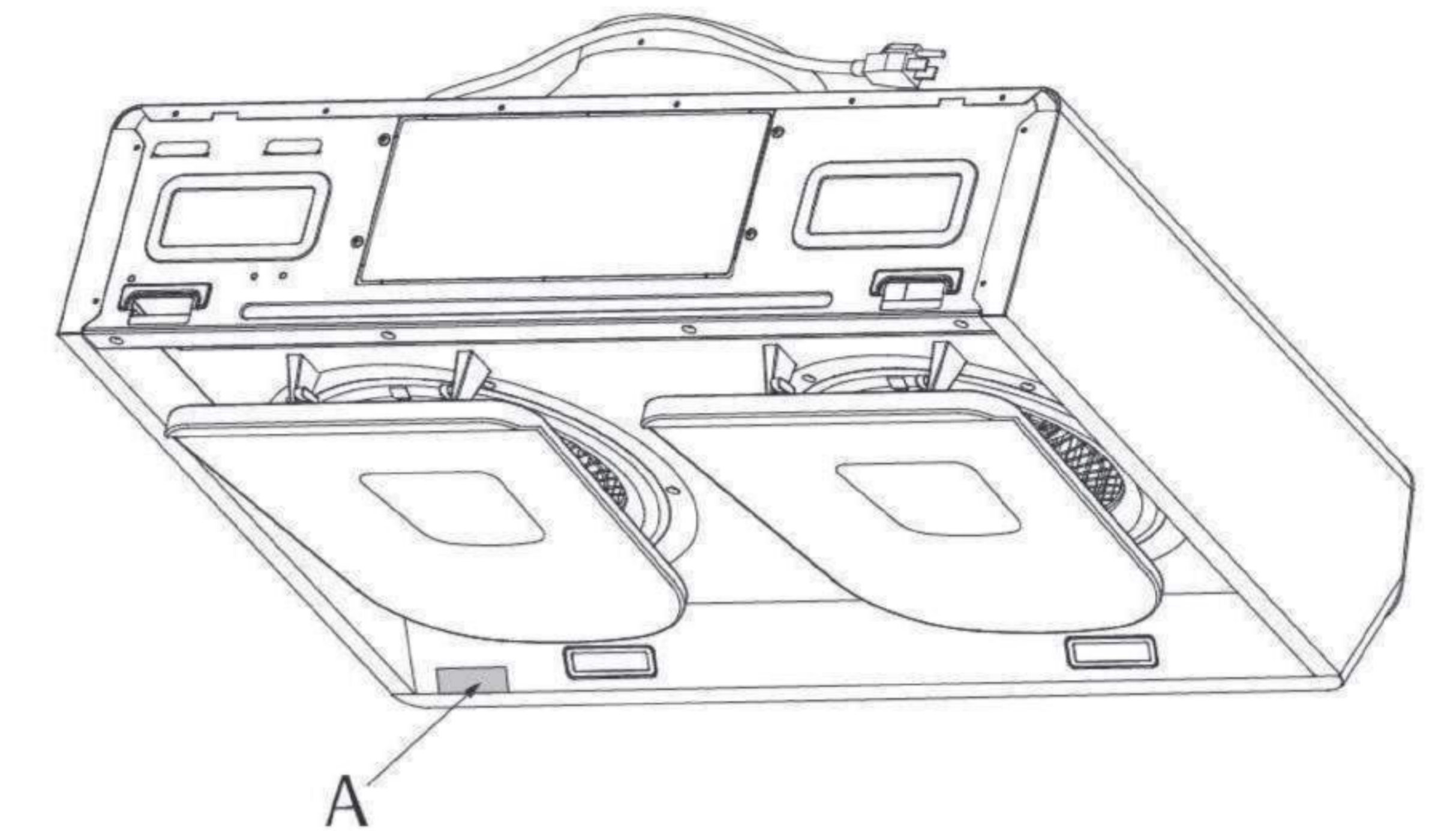
本保修范围覆盖在美国购买产品的原始购买者以及任何继任所有者。如产品位于方太公司授权服务不可到达之处，则需要由您负责支付相应交通费用，或者您可能需将产品带至授权服务处，进行维修保养。

- 如果您已购买方太吸油烟机产品，请尽快进行产品注册。以便在您有需要时，我们可及时与您沟通并提供服务。您有如下两种方式进行产品注册:

- 本产品包装内附有纸质版产品注册卡，您可填写信息后邮寄至方太公司
- 登录方太官方网站进行产品注册：
<https://shop.fotileglobal.com/register-today-for-product-support>

- 如果您已购买方太吸油烟机产品，在沟通时告知该产品型号、序列号，可以帮助我们更好地为您服务。

您可以在图示A位置找到这些信息:



- 如果您需要购买配件，您可以有如下选择:

- 访问方太官方商城：<https://shop.fotileglobal.com/>，进行了解和购买
- 致电方太公司免费中英文服务热线：1(888)-315-0366，进行咨询和购买
- 联系方太公司官方授权门店（可通过访问方太官网<https://www.fotileglobal.com/us/> 查询您所在城市的授权门店），进行咨询和购买
- 如果您需要其它服务，您可以通过以下方式联系方太公司:
 - 免费中英文热线电话：1(888)315-0366
 - 客服邮箱：serviceusa@fotile.com（请您留下方便日间联系的电话号码）
 - 收信地址：6 Campus Dr, Suite 210, Parsippany, NJ 07054

安装指导

安全须知

为确保方太产品的安全和高效使用，请注意产品说明书中以下突出显示信息：

警告：标明如不遵守预防措施则可能导致严重人身伤害或死亡等危险。

注意：表示如不遵守指导说明则可能出现轻微人身伤害或产品损坏。

重要：强调非常重要的信息。

安全须知

请确保在使用产品前阅读此安全须知

请务必保留此安全须知信息

本产品仅限室内家用

警告

- 为降低火灾、电击或人身伤害危险，请注意以下事项：
 - 油烟机的安装以及电路的设置必须要由有经验的专业人员进行，非专业人员请勿安装。在安装时要遵守所有相关的法规、标准，包括与火灾有关的说明。正确安装是安装人员的责任。由于安装不当导致的产品故障不包括在方太保修范围内。
 - 为确保安全和安装顺利，请使用随机附件进行安装；安装膨胀管时，膨胀管与墙孔的配合一定要紧密，严禁钻孔过大，以免膨胀管松动，造成意外跌落！
 - 油烟机应使用专用电源插座，并且专用电源插座应有可靠接地。因电源线中途连接、使用延长线以及多口配线器时易发生触电、插头插座发热以及火灾。装电线前请切断电源，请确保采取合理措施避免意外电源接通。
 - 安装时不能接通电，应在主电源箱中关闭电源。如果电源线损坏，必须由制造厂商或其服务代理提供的单独特配电源线或套件进行替换。
 - 用户自行安装易发生触电、脱落、起火等危险。非专业人员请勿拆卸、安装及维修油烟机。

人身伤害危险：

- 在移动油烟机进行安装、清洁或者修理前，务必切断电源，以免触电。
- 2. 油烟机可能有非常锋利的边，在进行安装、清洁或修理时，应佩戴合格的防护手套，以防被油烟机内金属板快口等划伤和擦伤。

安装前的警告：

- 为了不对油烟机造成损害，请确保不要让杂物等进入排风口。
- 直线、较短的出风管布置将使得油烟机的排烟更加顺畅。
- 尽量避免使用过长以及有较多弯道的出风管，使用这些管道将影响油烟机的排烟效果。
- 出风管与墙孔的连接处使用管道胶严格进行密封。必须确保出风管与出风罩连接牢固，并用铝箔胶带密封。

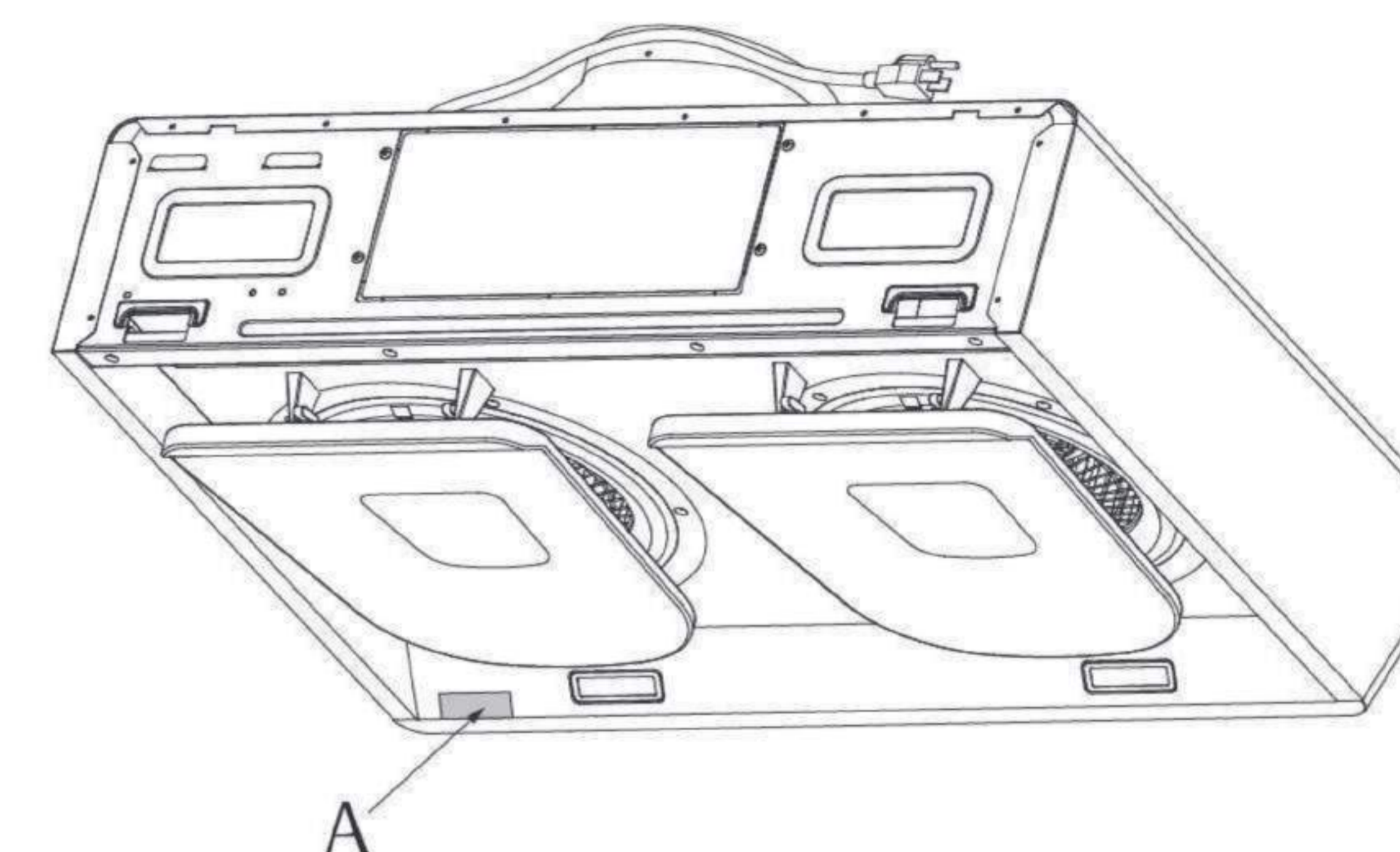
- 墙洞过小会影响排烟效果，在保证安全的前提下，建议扩孔至7”（178mm）或以上。
- 本产品上使用的都为公制尺寸螺钉，请不要随意使用不符合规格要求的螺钉。

注意

- 在安装以前，请仔细阅读所有的说明。特别请注意以下事项：
 - 如果您正在对您的厨房进行装修，请勿将油烟机暴露在外。因为建筑材料、灰尘、油漆、涂料以及它们所挥发的的气体，会使油烟机表面产生腐蚀以及失去光泽。建议在厨房装修完毕后再安装油烟机。
 - 如果在安装油烟机前，需要移动燃气灶，则在移动燃气灶之前，请先关闭燃气总阀门。
 - 油烟机排出的废气不能排放到用于排出燃烧燃气或其他燃料的烟雾使用的热烟道中。
 - 因油烟机的尺寸较大和重量较重，建议两位安装人员安装。由于本油烟机的安装程序复杂，因此需要专业安装维修人员按照此说明书进行安装。
 - 产品固定后，插头应在可接触位置。
 - 安装时须保证机身水平。
 - 安装完毕，请确认油烟机运转无异常现象。

重要

- 请在安装前阅读所有安装指导，保存此说明书以备当地巡检参考和日后参阅。
- 此产品安装必须遵守国家电力法，也要遵守各个州、市政和地方的法规。
- 请为此产品配备合适的断路器，并在安装时将产品可靠接地。
- 必须根据产品铭牌上提供的电压、频率和安培给产品配备合适的电压、频率和安培额定值。
- 此安装必须由方太授权的服务中心或其认可的安装人员完成。
- 安装油烟机前请记录下产品型号和序列号。产品型号和序列号请参考以下图示A说明。



工具配件

所需工具



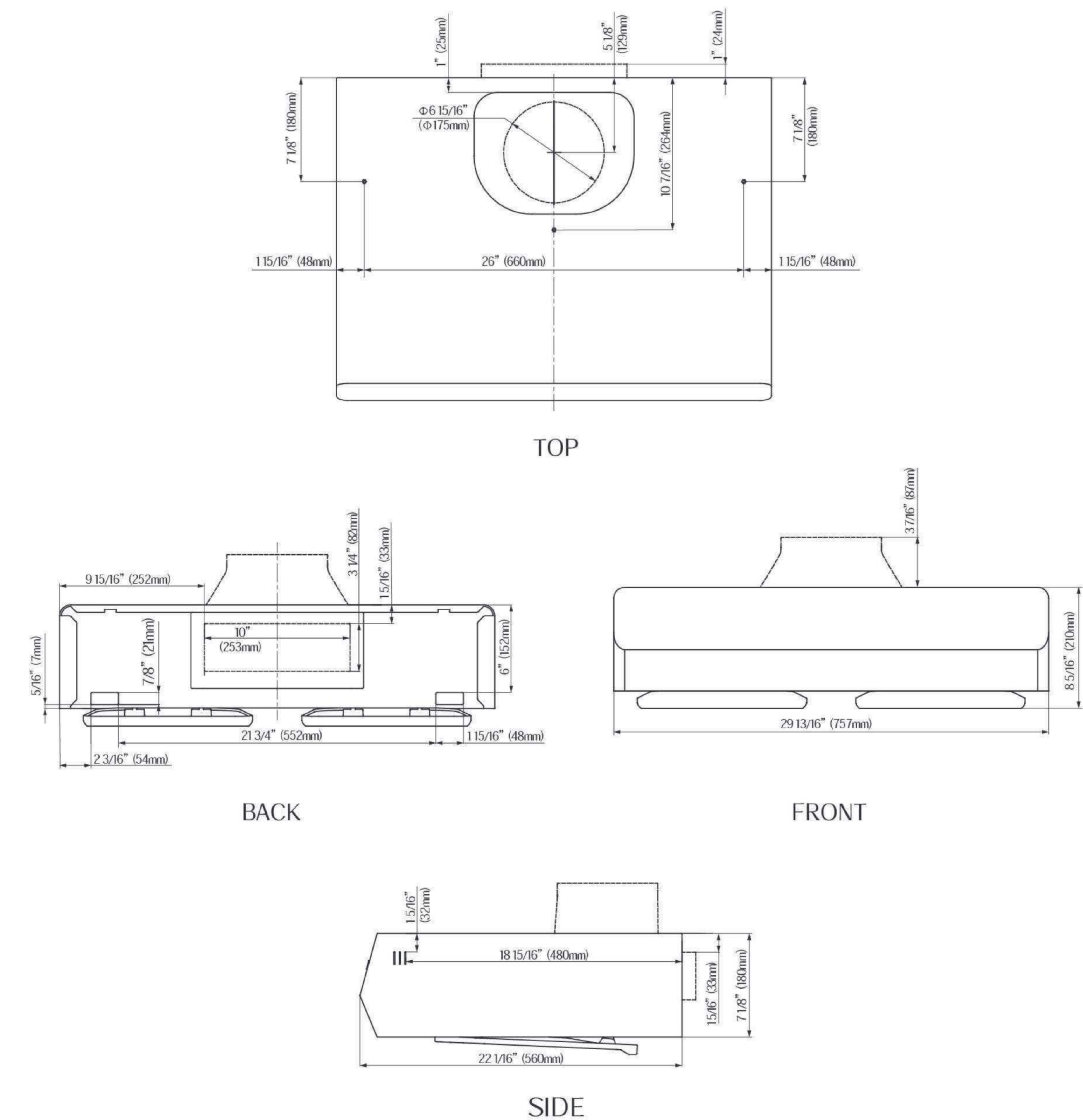
随货配件
装箱单

标准配置	
产品使用说明书 	1本
保修卡 	1张
开孔尺寸纸 	1张
主机 	1台
左蝶翼板(一体式油杯) 	1个
右蝶翼板(一体式油杯) 	1个
主机挂钩 	1个
出风口密封垫 	1个
瓷砖膨胀管 $\Phi 1/4" \times 1 5/16"$ ($\Phi 5.3 \times 32\text{mm}$) 	4个
灰板膨胀管 $\Phi 3/16" \times 1 5/8"$ ($\Phi 4 \times 40\text{mm}$) 	4个

挂钩螺钉 $\#8 \times 1 7/16"$ (ST4.2 \times 36mm) 	4颗
木螺钉 $\#10 \times 2 9/16"$ (ST5 \times 65mm) 	4颗
出风罩螺钉 $\#8 \times 3/4"$ (M4 \times 18mm) 	8颗
上柜板固定螺钉 $\#10 \times 2 13/16"$ (M5 \times 70mm) 	4颗 (其中1颗备用)
上柜板固定螺钉垫圈 $\Phi 1 5/16"$ ($\Phi 32\text{mm}$) 	4个 (其中1个备用)
标准配置——顶出风配件	
出风罩 	1个
标准配置——背出风配件	
方形出风罩 	1个
方形出风罩橡胶垫 	1个
顶出风盖板 	1个

产品尺寸

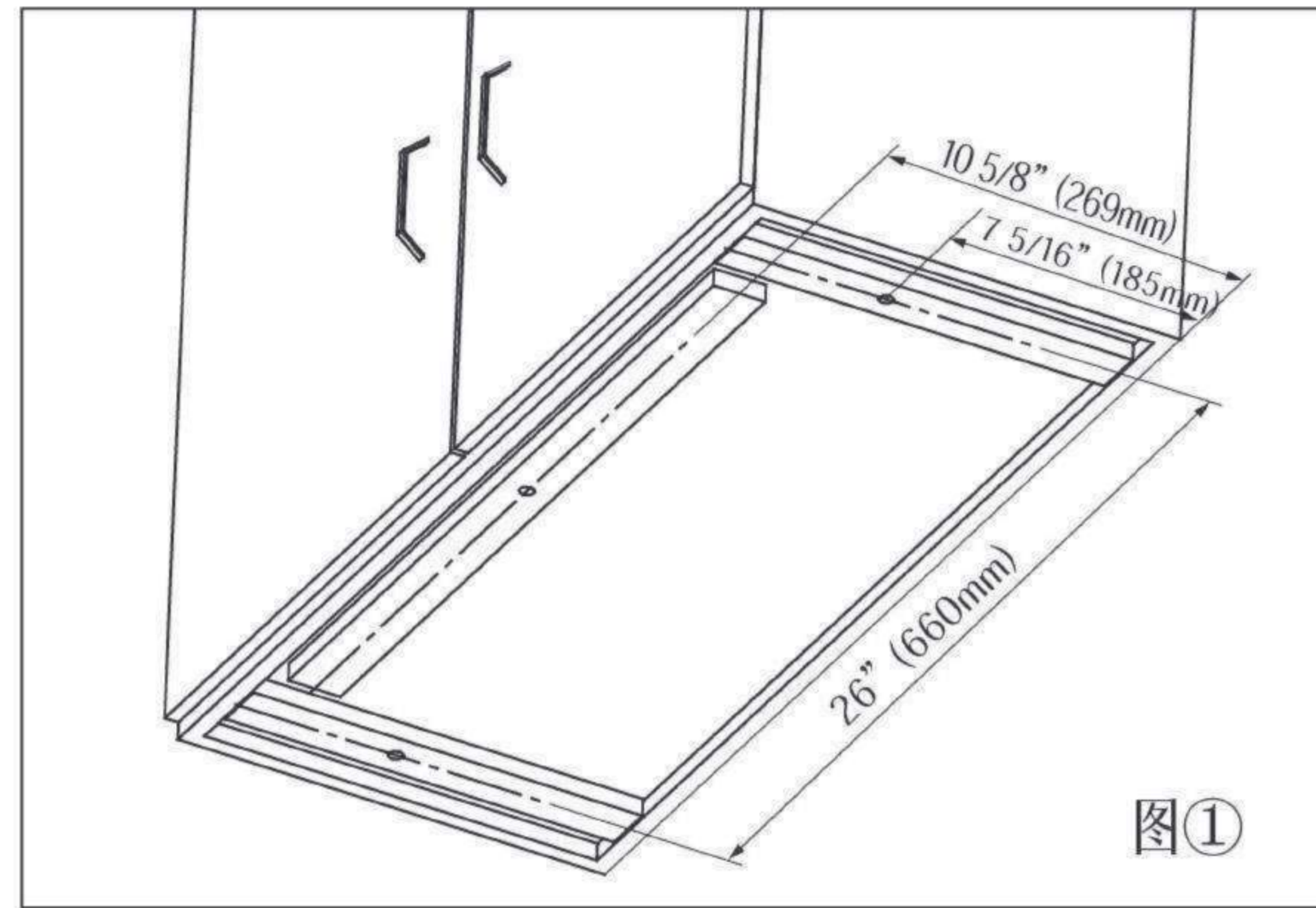
		Pixie Air	
型号		UQS3001	UQG3002
产品尺寸	宽度	29 13/16inches (757mm)	29 13/16inches (757mm)
	深度	22 1/16inches (560mm)	22 1/16inches (560mm)
	高度	8 5/16inches (210mm)	8 5/16inches (210mm)
电源	120V/60Hz	120V/60Hz	
功率	256W	260W	



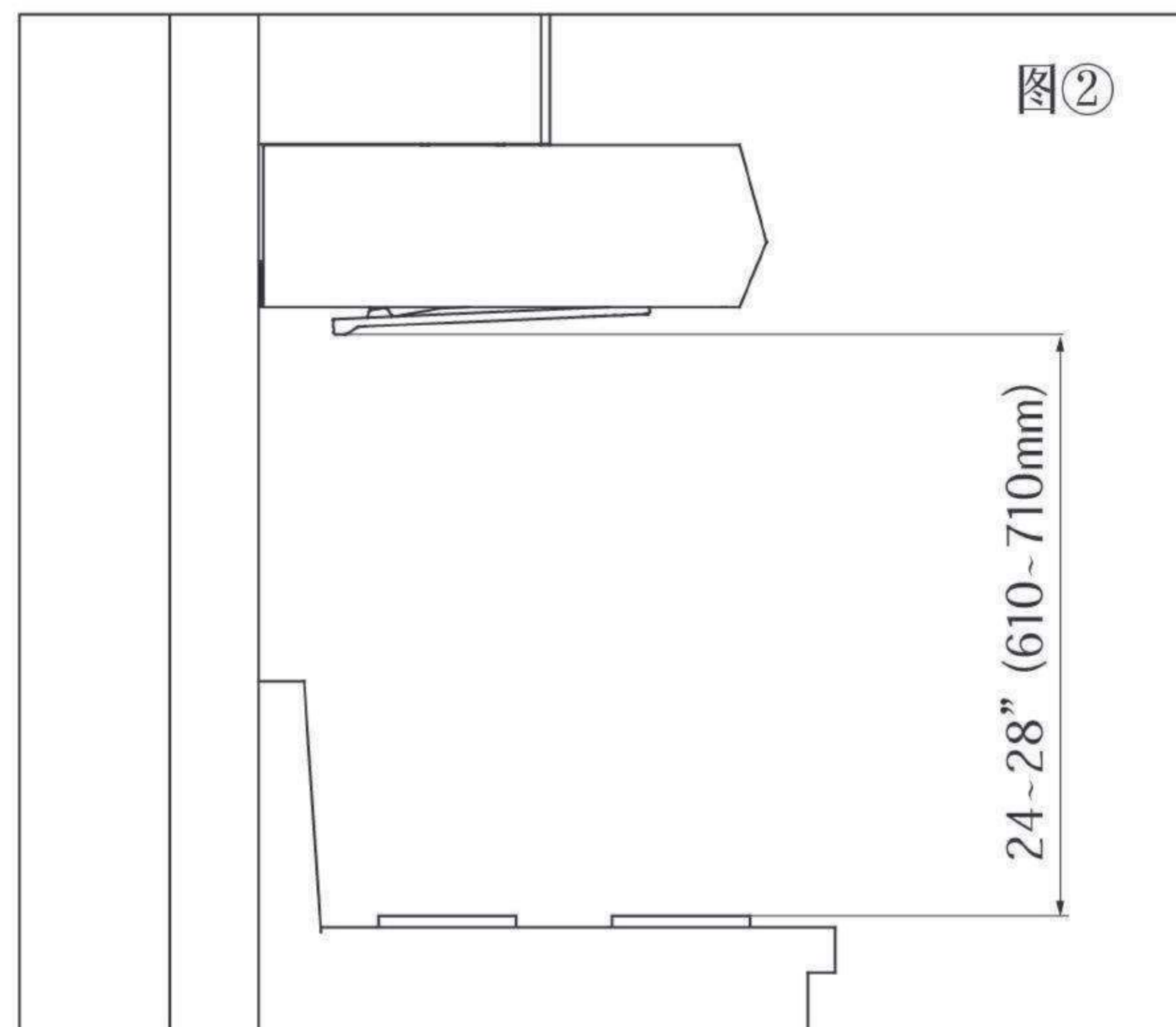
安装示意

安装要求

为保证油烟机使用安全和最佳吸油烟效果，建议安装高度：从台面到油烟机顶部不得低于24" (610mm)，最高不要超过28" (710mm)。如所属州或地区有相关法律规定油烟机安装高度，建议遵守相关法律（包括但不限于建筑物和消防法规和标准），但产品的吸油烟效果可能会受到较大影响。



图①



图②

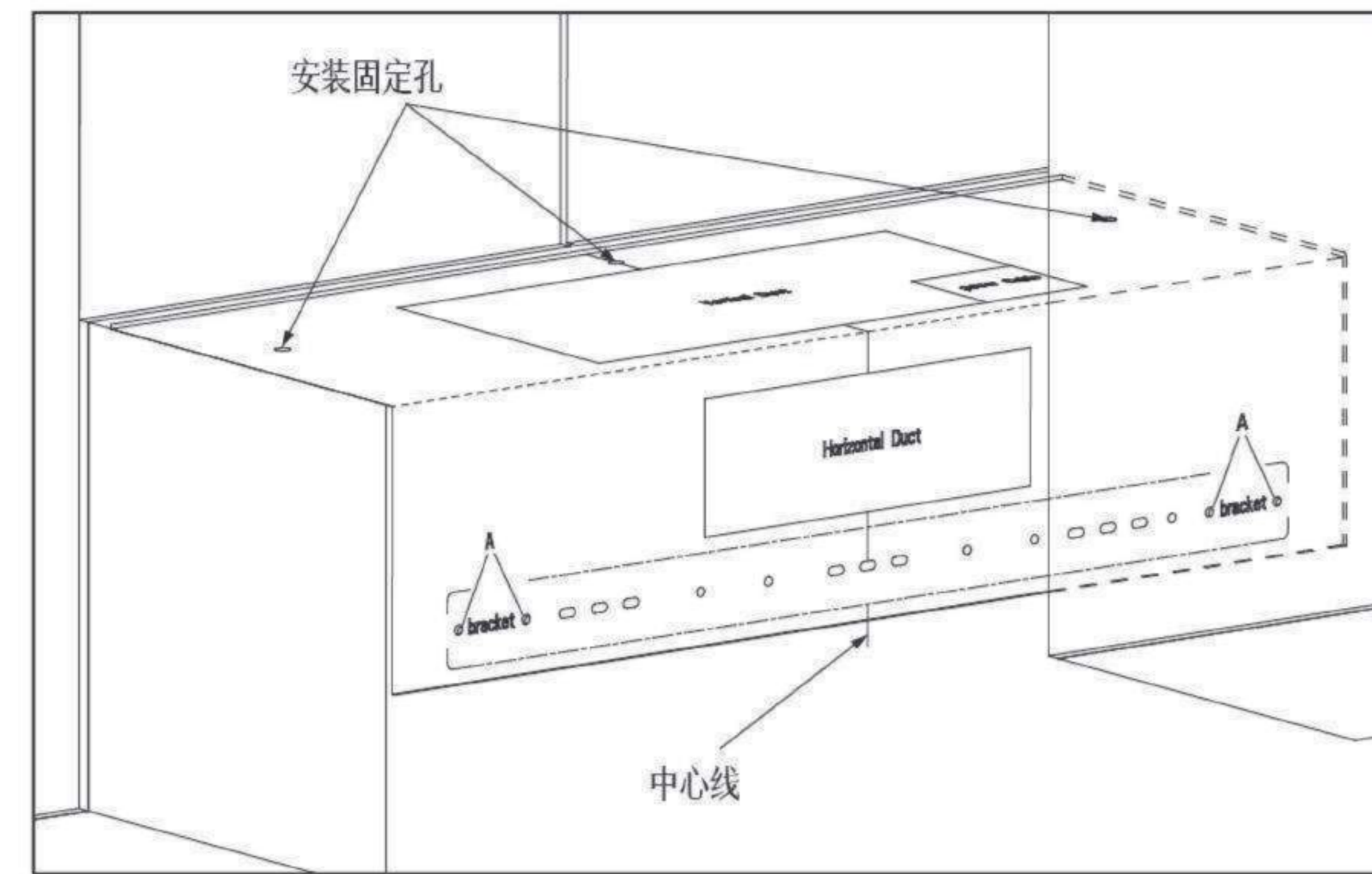
如图①所示：

对于底部有凹陷的橱柜，如需安装30in的方太柜下式油烟机，请在橱柜底部填充3根木条（需自备，木条宽度建议为1-1 1/2in），确保底部平整。

如图②所示：

油烟机最佳安装高度建议：从炉具烹饪面最高点到油烟机最低点24-28in。

安装步骤



1. 开箱确认装箱清单及检查产品外观；
2. 测量并标注油烟机安装墙面的中心线；
3. 用专业工具找到安装墙面内的木柱，并做好标识；
4. 沿着安装纸所标注虚线，将安装纸折成90度角；
5. 固定安装纸：将安装纸“Horizontal Duct”背面贴紧背墙，中心线与墙面中心线对齐，确保“Vertical Duct”背面紧贴橱柜最底部平面；

注：若上柜底部有边缘凸出，请参考安装要求中图①所示处理。

6. 完成安装纸上三个安装固定孔、挂钩孔的开孔；

注：挂钩两端的4个孔，如图A所示，必须钻孔。

7. 根据出风方式，完成安装纸相应出风口开孔；

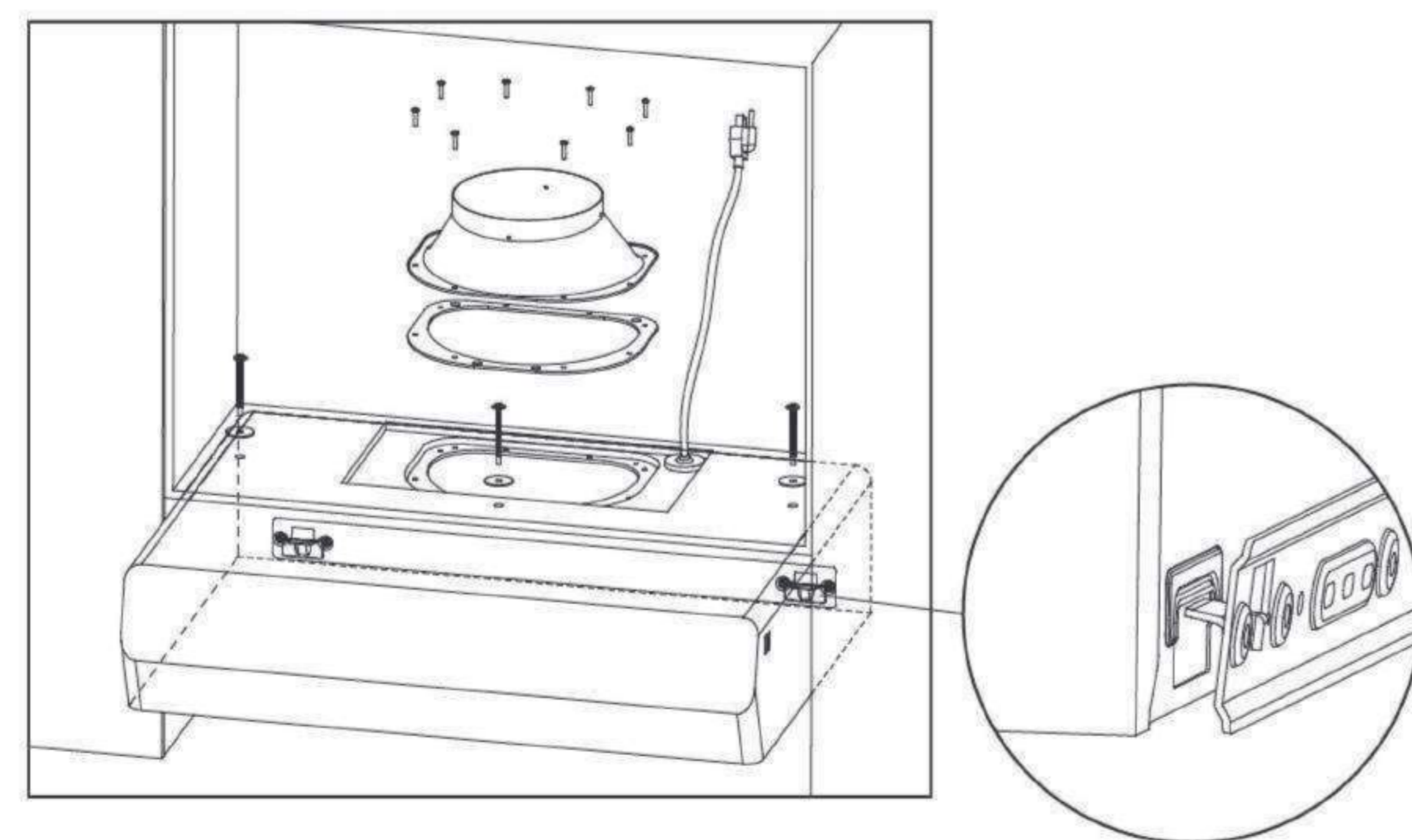
注：若为背出风方式，需增加橱柜底部的电源线开孔。

8. 取下安装纸，完成挂钩安装；

注：① 根据不同墙面材质选择合适的固定螺钉；
② 支架两端的孔A必须固定；
③ 除A之外，至少有一颗#10×2 9/16" (ST5×65mm)木螺钉，将挂钩与背墙木柱固定以承重。

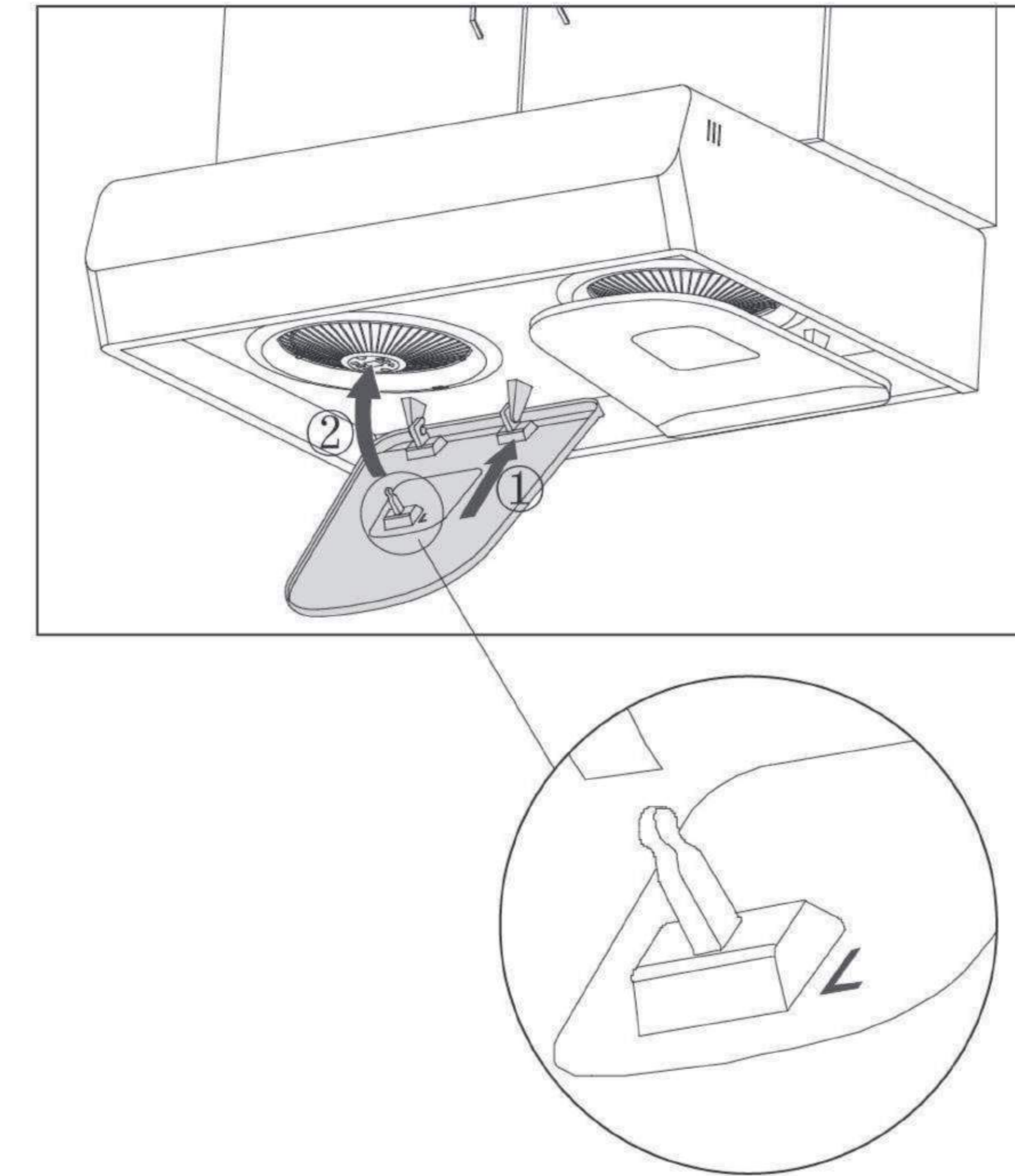
9. 安装油烟机

◇顶出风方式(Vertical Duct)

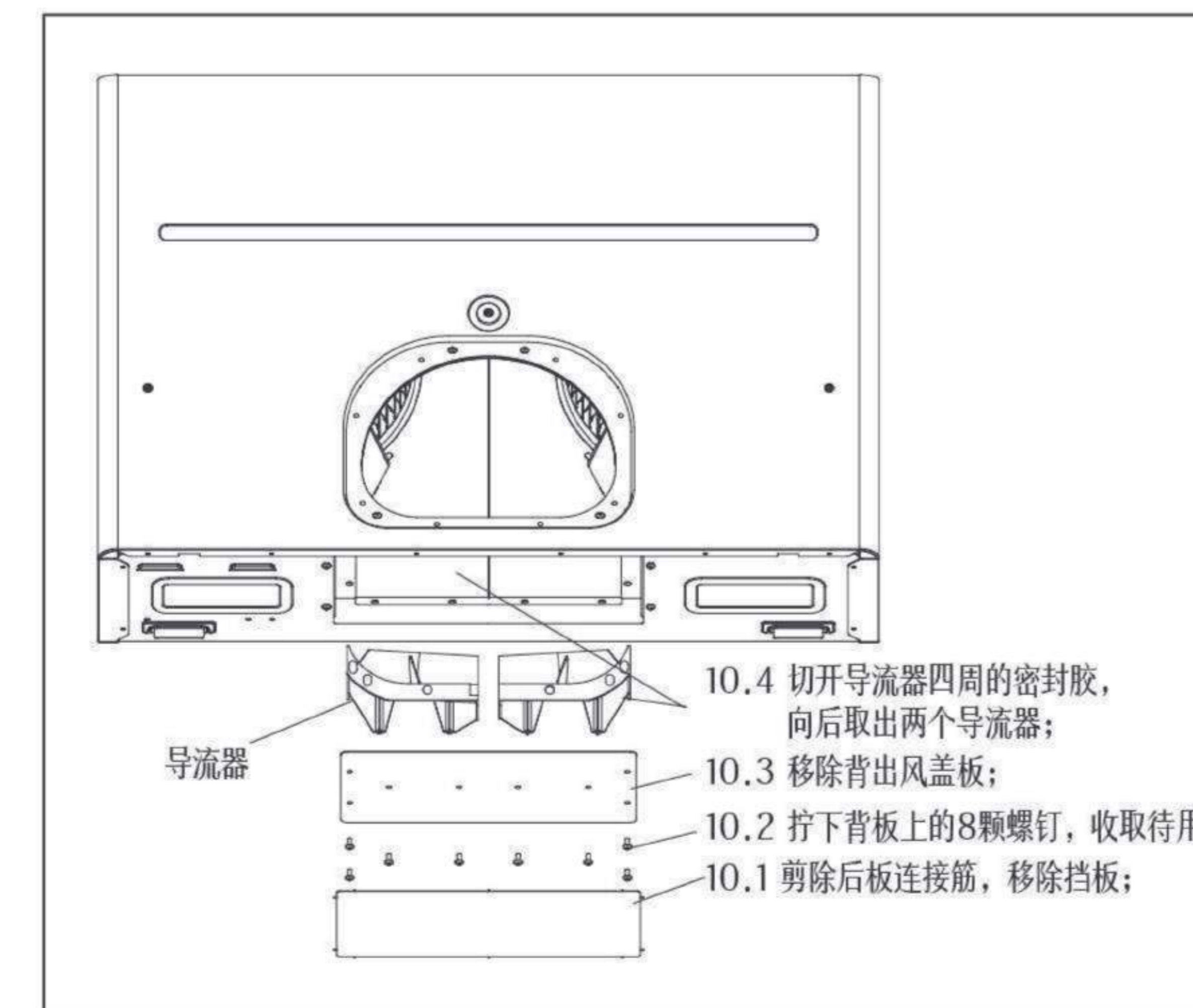


- 9.1 抬起油烟机，将机器背部挂钩孔插入挂钩；
- 9.2 扶住油烟机紧贴橱柜底部，并用上柜板固定螺钉#10×2 13/16" (M5×70mm)和上柜板固定螺钉垫圈Φ1 5/16" (Φ32mm)固定；
- 9.3 把出风口密封垫放在出风口上；
- 9.4 用8颗出风罩螺钉#8×3/4" (M4×18mm)固定出风罩；
- 9.5 连接烟管，并用专业烟管密封胶带密封；
- 9.6 连接电源；
- 9.7 撕除蝶翼板（一体式油杯）保护膜并安装到位。

注：左右蝶翼板（一体式油杯）请勿混淆。



◇背出风方式 (Horizontal Duct)

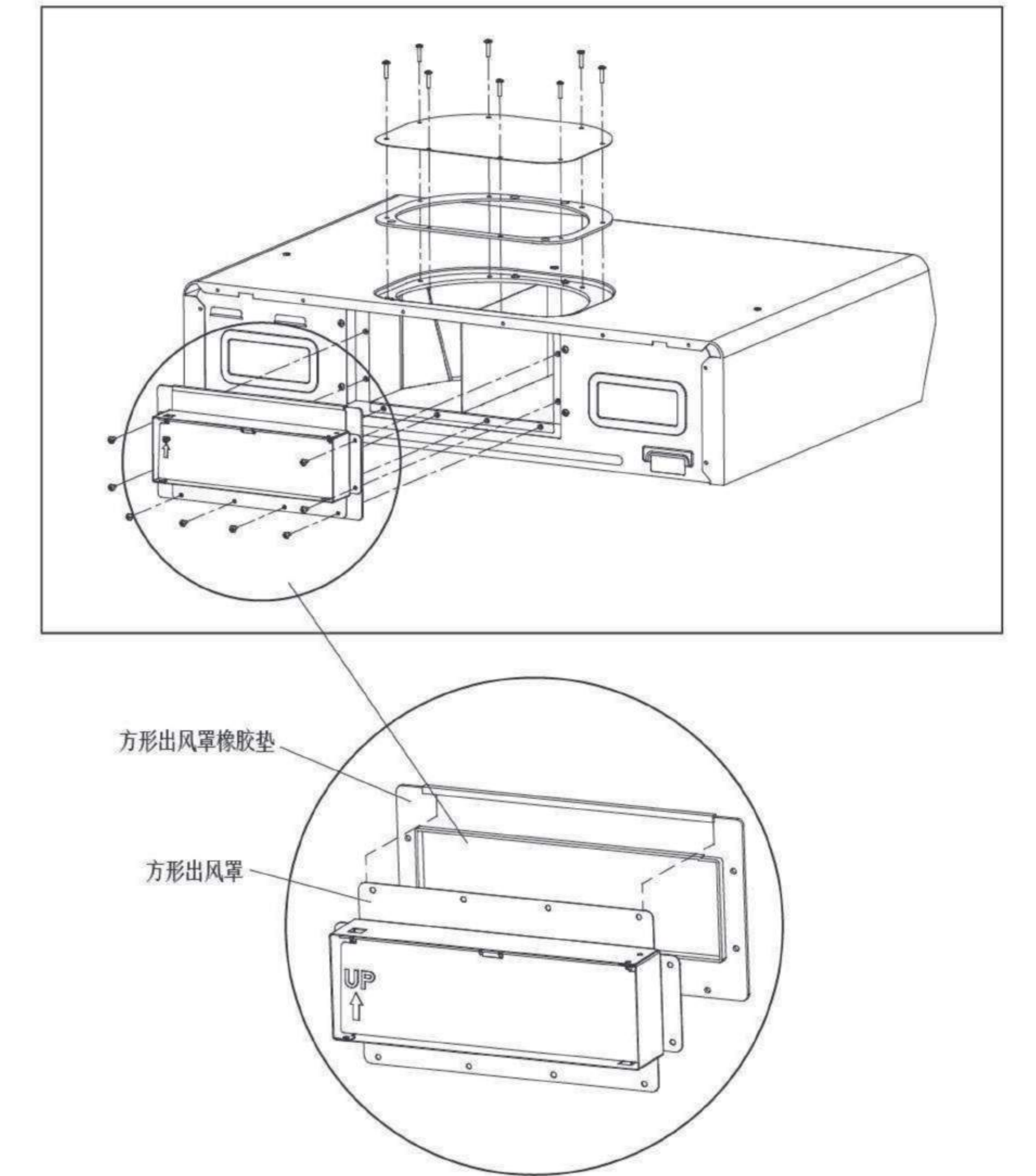


- 10.1 剪除后板连接筋，移除挡板；
- 10.2 拧下背板上的8颗螺钉，收取待用；
- 10.3 移除背出风盖板；
- 10.4 切开导流器四周的密封胶，向后取出两个导流器；

10.1-10.4步骤见上图所示；

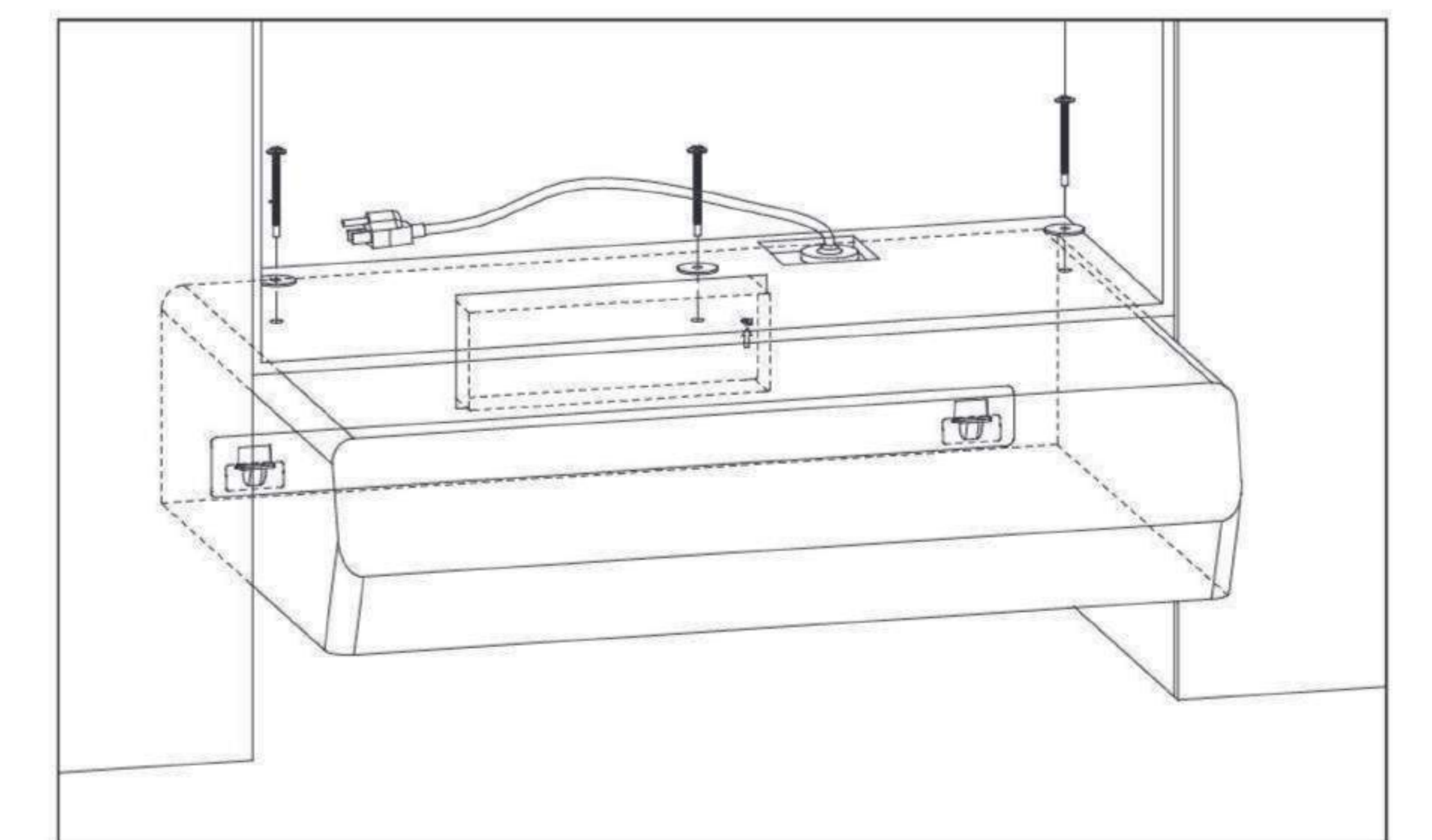
10.5 将方形出风罩橡胶垫预挂在方形出风罩上，用收取的8颗螺钉将其锁紧在油烟机背部；

10.6 将出风口密封垫放置于油烟机顶部出风口处，将顶出风盖板用8颗出风罩螺钉#8×3/4" (M4×18mm)锁紧；



10.7 抬起油烟机，预先将电源线从橱柜底部电源线孔穿出，把方形出风罩和机器背部挂钩孔水平插入对应位置；

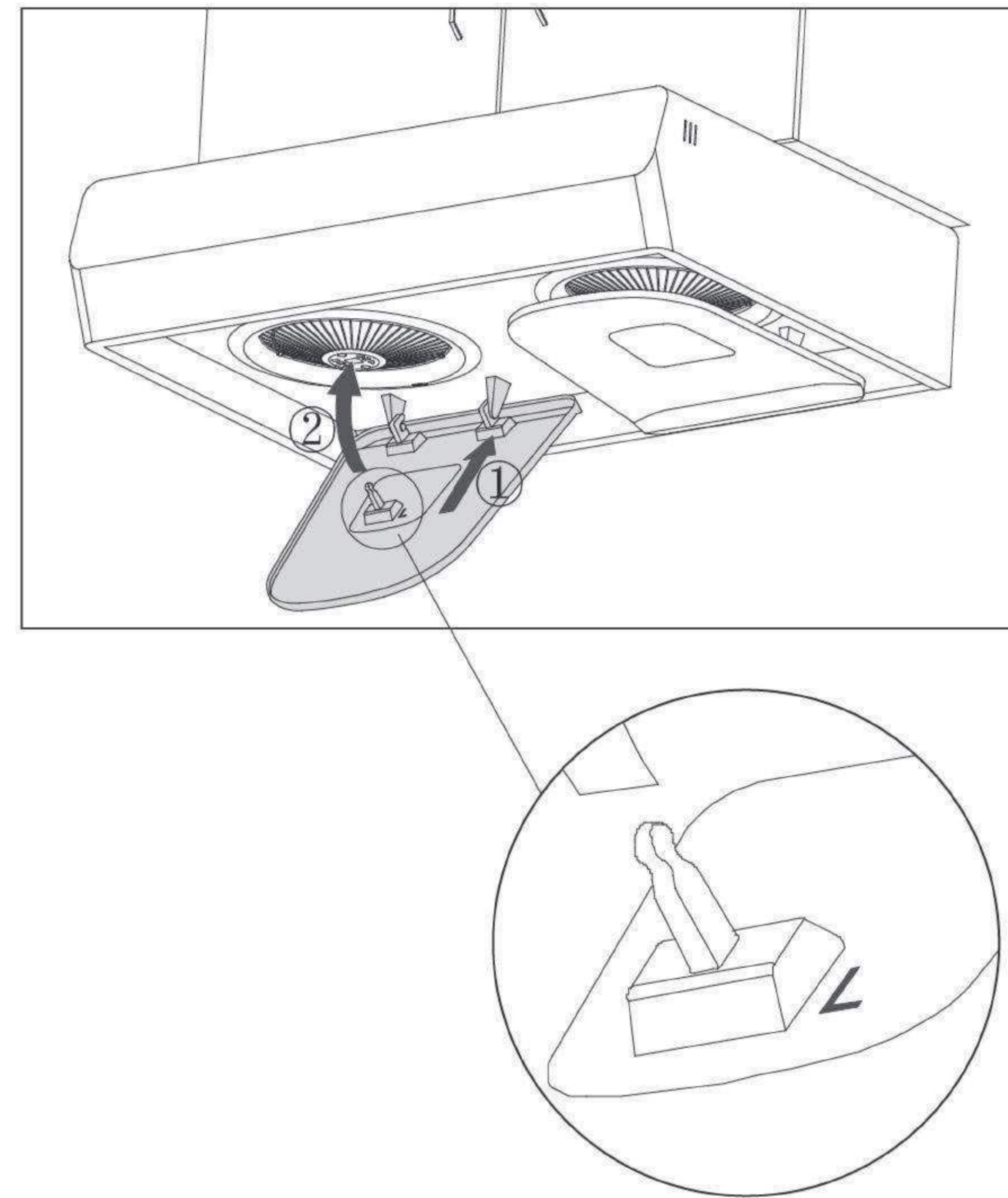
10.8 扶住油烟机紧贴橱柜底部，并用上柜板固定螺钉#10×2 13/16" (M5×70mm)和上柜板固定螺钉垫圈Φ1 5/16" (Φ32mm)固定；



10.9 连接电源;

10.10 撕除蝶翼板(一体式油杯)保护膜并安装到位。

注:左右蝶翼板(一体式油杯)请勿混淆。



风量控制

风量控制CAT(CFM Adjustment Technology)

此功能只针对部分对油烟机最高风量小于400CFM区域。其中, CAT状态和正常状态(即出厂状态)下, 风量键对应的电机档位如下表:

风量键	不同状态下对应的电机档位	
	CAT状态	正常状态
Boost	失效	P4
高档	P2	P3
中档	P2	P2
低档	P1	P1

操作说明:

产品接通电源但处于关机状态时,

1. 长按照明键 \odot 和空气管家键 S , 按键常亮。

注: 若为UQG3002, 则先开机, 确认照明键 \odot 和空气管家键 S 位置, 并做好标记

2. 按键常亮后, 请在10s内长按高档/boost键 S 3秒, 蜂鸣器长鸣一声:

此时, 若为UQS3001, 则空气管家按键 S 显示绿色。

此时, 若为UQG3002, 则大光圈 \bigcirc 显示为绿色。

3. 蜂鸣器长鸣2s后, 所有按键灯熄灭, 机器进入关机状态。

4. 完成CAT 状态设置, 此时高档/boost键 S 对应的电机档位变为P2档。

* 若步骤1之后的10s内无操作, 则油烟机按键灯熄灭, 回到出厂设置的关机状态。

CAT自查:

温馨提醒, 若要确认产品是否在CAT状态, 可进行如下操作。

1. 在正常状态且关机时, 长按照明键 \odot 和空气管家键 S , 按键常亮。

2. 此时,

* 若机器处于CAT状态, 则:

UQS3001, 空气管家键 S 绿色常亮, 其它按键灯白色全亮。

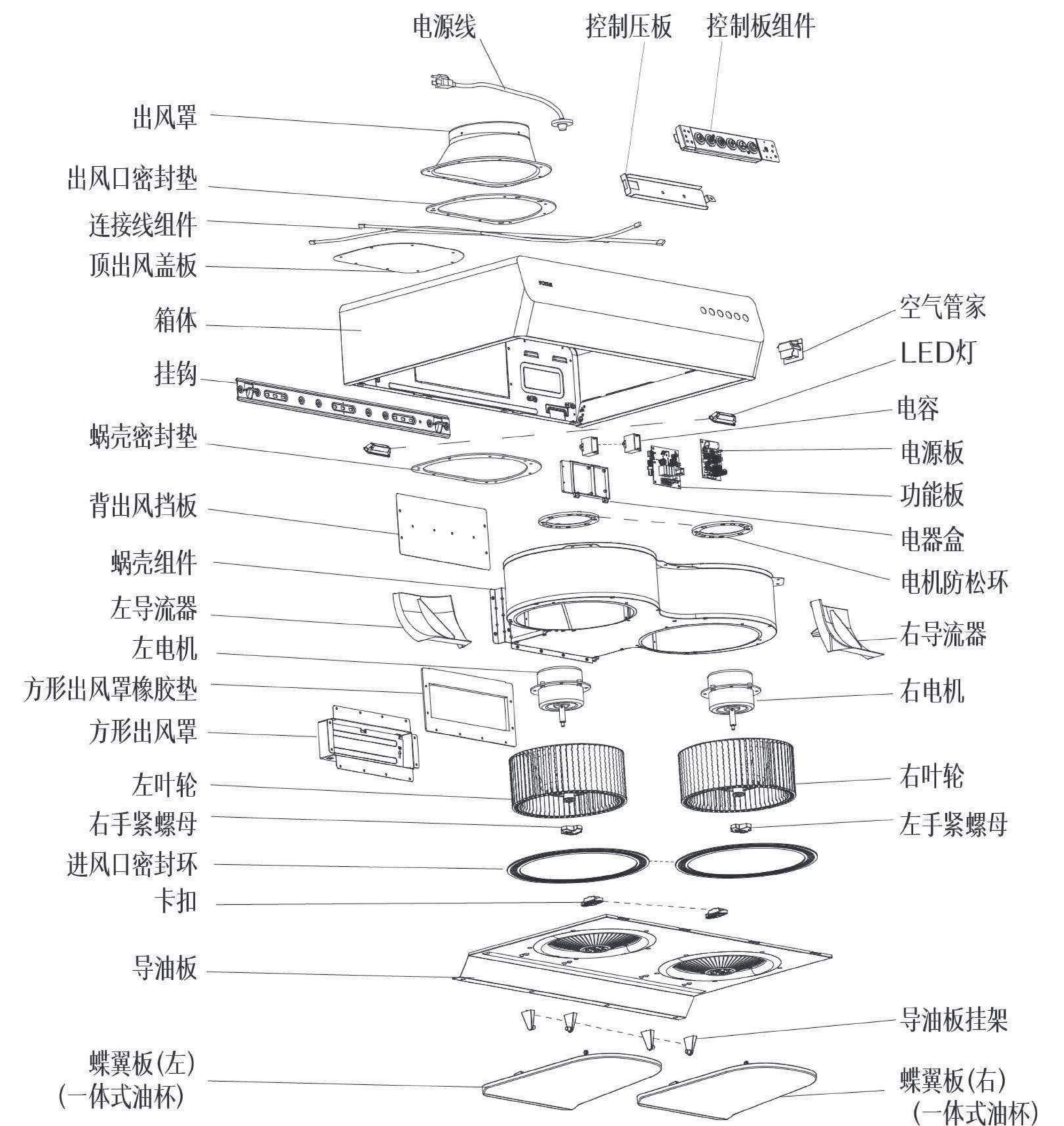
UQG3002, 大光圈 \bigcirc 绿色常亮, 其他按键灯白色全亮。

* 若机器不处于CAT状态, 则按键均为白色全亮, 无绿色状态。

3. 按键常亮后2s, 所有按键灯熄灭, 机器进入关机状态。

爆炸图

UQS3001



UQG3002

