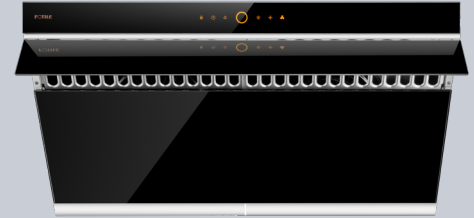


Slant Vent Series Range Hoods JQG9006/JQG9006-W Spec Sheet

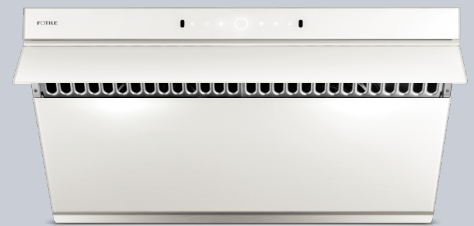
FOTILE

A BREATH OF FRESH ENGINEERING®

FOTILE JQG9006 and JQG9006-W 36" Slant Vent Range Hoods are both powerful and sleek looking. With versatile mounting options whether under cabinet or wall mount, the powerful certified Range Hoods offer superior smoke, grease, and odor extraction with their unique design, dual DC centrifugal motors, and 90 degree angle automatic open Capture Shields. Not only do they offer excellent venting performance, they are also exceptionally quiet so you can have a casual conversation as you are preparing a meal. Best of all, you can operate the range hoods using touch free motion gesture control for easy and safe operation. Available in Onyx Black Tempered Glass and White SCHOTT Glass.



JQG9006



JQG9006-W



Key Features



90° Automatic Open Capture Shield to Prevent Smoke From Spreading



Dual DC Motors for Smoother and Stronger Ventilation



Stir-fry Mode to Provide Even Stronger Extraction Power

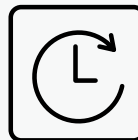


Motion Detection for Hands Free Operation

Additional Features



Extra Wide Smoke Inlet
Covers 7.2 ft² of Cooking Area (5-6 Burners)



Auto Delay Shutoff
Extracts Lingering Odors After Cooking



Dual Oil Filters
Detachable and Dishwasher Safe



Dual Grease Collection Cups
Detachable and Dishwasher Safe

Slant Vent Series Range Hoods JQG9006/JQG9006-W Spec Sheet

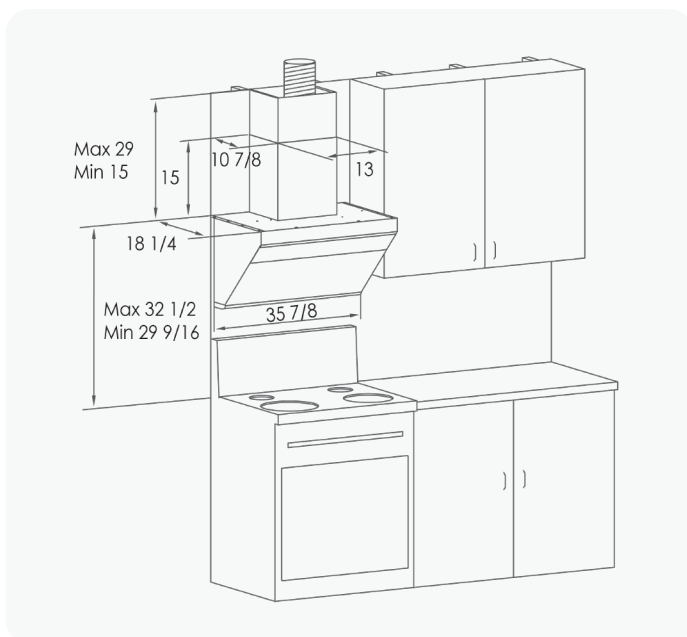
FOTILE

A BREATH OF FRESH ENGINEERING®

Specifications Table

Model	JQG9006 JQG9006-W
Certification	ETL, HVI, CEC
Width(inch)	35 7/8
Material	Onyx Black Tempered Glass White SCHOTT Glass
Installation	Under Cabinet/Wall Mount (Decorative Cover Required)
Speed Setting	4
CFM(HVI)	220 / 410 / 520 / 580
Max Static Pressure(Pa)	540
Power Supply(V/Hz)	120/60
Noise Level(sones)	1.2 / 4 / 6.5 / 7.5
Noise Level(dB)	37.8 / 48.5 / 54.1 / 56.6
Illumination(W)	3W × 2 (LED)
Motor	Dual DC Motors
Operation Type	Motion Activation & Touchscreen
Delay Shutoff	2min
Screen Lock	Y
Grease Filtration Rate	95%
Odor Reduction Rate	98%
Warranty	Labor: 2 Years Parts: 5 Years(Limited) Motors: Lifetime Limited Warranty

Installation Dimensions



Installation Examples

