

# FOTILE

A BREATH OF FRESH ENGINEERING®



01 SERIES


05 SERIES


02 SERIES



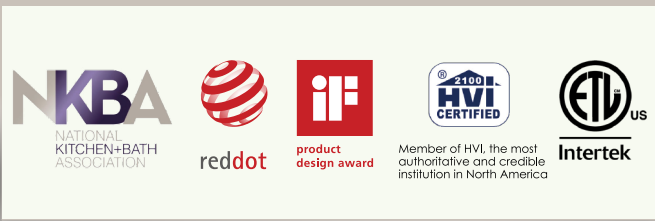
## SLANT VENT SERIES RANGE HOODS

 Sold in over **30** countries around the world, and chosen by **17 million** families

 Serving the U.S. market for **9** years

 **3,500** service technicians in the U.S.

 Earned **5,500** kitchen appliance patents including over **1,100** invention patents



### Powerful Smoke Extraction

Close proximity to cooking area, wide smoke inlet with 6 sq.ft. coverage area



### Efficient DC Motors \*

Provide extraordinary power and smooth ventilation



### Dual Centrifugal Blowers

Extract smoke quickly and prevent it from escaping



### Motion Activation \*

Convenient hand wave ON/OFF operation



### Easy and Fast Installations

Wall-mount or under-cabinet



**98%** Odor Reduction Rate

**95%** Grease Separation Rate

\* 05 Series Only

### INDUSTRY LEADING WARRANTY:

PARTS	5-YEAR (LIMITED)
LABOR	2-YEAR
MOTOR	LIFETIME GUARANTEE (LABOR NOT INCLUDED)

Toll Free: 888-315-0366  
Address: 6 Campus Dr, Suite 210,  
Parsippany, NJ 07054  
Official Website: [us.fotileglobal.com](http://us.fotileglobal.com)  
Email: [serviceusa@fotile.com](mailto:serviceusa@fotile.com)



YouTube



@fotileamerica



@fotile\_usa

# FOTILE

A BREATH OF FRESH ENGINEERING®



	05 series	01 series		02 series
Width	30in	36in	30in	30in
Model Options	JQG7505 / JQG7505-W	JQG9001	JQG7501 / JQG7501.G	JQG7502 / JQG7502.G
Motor	Dual DC Motors	Dual AC Motors		Dual AC Motors
Max. EQUIV. CFM	1000	850		850
Max. Static Pressure	540Pa	400Pa		400Pa
Operation	Motion + Touch Screen	Touch Screen		Push Buttons
Number of Speed Settings	3 + Stir-Fry Mode	3		3
Capture Shield	Automatically Opens to 90°	Automatically Opens to 90°		Fixed Open at 90°
Delay Shutoff	2 min.	2 min.		/
Easy to Clean	Tempered Glass; Dishwasher Safe Oil Filter	Tempered Glass; Dishwasher Safe Oil Filter		Tempered Glass; Dishwasher Safe Oil Filter
Min. Noise Level	38dB	39dB		39dB
Color Options	Onyx Black / Elegant White	Onyx Black / Silver Grey		Onyx Black / Silver Grey

## 5-year limited warranty

2-year full warranty. 5-year limited warranty on all parts.  
Lifetime warranty on motor.

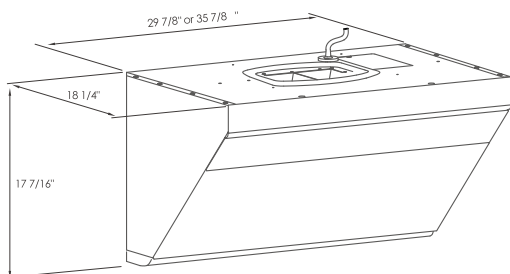


JQG7505-W

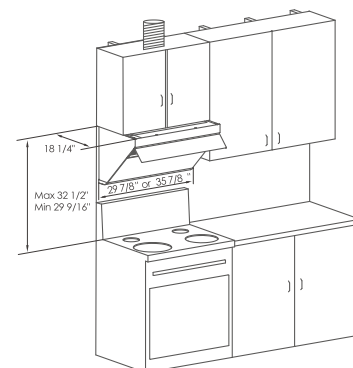


JQG7501

Unit: in



▲ Product Dimensions



▲ Installation Dimensions

\* Product Width: 29 7/8 inch = JQG7505/JQG7505-W/JQG7501/JQG7501.G/JQG7502/JQG7502.G  
Product Width: 35 7/8 inch = JQG9001