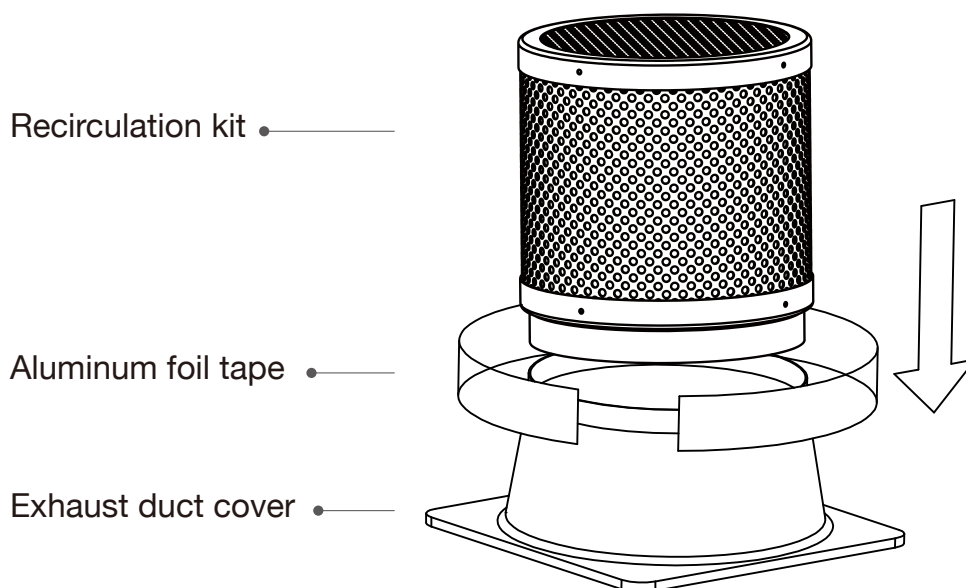


RECIRCULATION KIT USER AND INSTALLATION MANUAL



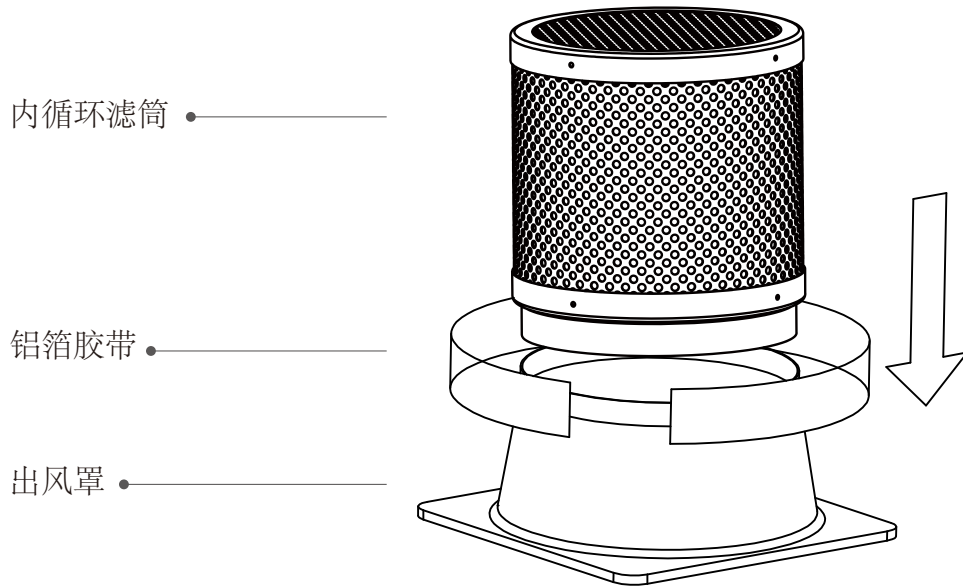
USER INSTRUCTIONS

- Please confirm the interior height of the upper cabinet before installing
 - a. If the height is greater than 15 inches, please use the 4 inch exhaust duct cover included in the range hood package
 - b. If the height is between 12-14 inches, you will need a 1 inch exhaust duct cover, which can be purchased at <https://us.fotileglobal.com/collections/range-hoods-accessories>
 - c. If the height is less than 12 inches, please consult with our customer service team
- Remember to disconnect power to the Range Hood before installing this Recirculation Kit
- Do not try to clean the carbon filter in the recirculation kit. Please replace the charcoal filter every 4-6 months (depending on usage). You can purchase replacement carbon filters at <https://us.fotileglobal.com/collections/range-hoods-accessories>
- It is recommended to keep the upper cabinet door open during usage
- Please wear gloves when replacing the carbon filters

INSTALLATION STEPS

- Install the exhaust duct cover first
- Insert the recirculation kit into the exhaust duct cover at a 45 degrees angle, and seal the bottom of the kit to the exhaust duct cover with aluminum foil tape

内循环滤筒用户安装手册



安装指导

- 安装前请确认油烟机上方橱柜的内部高度
 - a. 如高度高于15英寸，则使用常规型号出风罩（已包含在您的油烟机包装中）
 - b. 如高度为12~14英寸，则使用短出风罩，可在<https://us.fotileglobal.com/collections/range-hoods-accessories>网址购买
 - c. 如高度小于12英寸，请垂询方太客服
- 在安装此内循环滤筒之前务必记得切断厨房油烟机电源
- 请不要试图清洗内循环滤筒上的碳布，但请每4~6个月更换一次碳布（可根据使用油烟机的频次来决定更换周期）。

您可在<https://us.fotileglobal.com/collections/range-hoods-accessories>网址购买用以更换的碳布
- 建议在使用内循环滤筒时打开上方橱柜门
- 请在更换碳布或清理油烟机时戴好手套

安装步骤

- 首先安装油烟机出风罩
- 将内循环滤筒插入出风罩内，再用铝箔胶带把内循环滤筒跟出风罩密封固定