

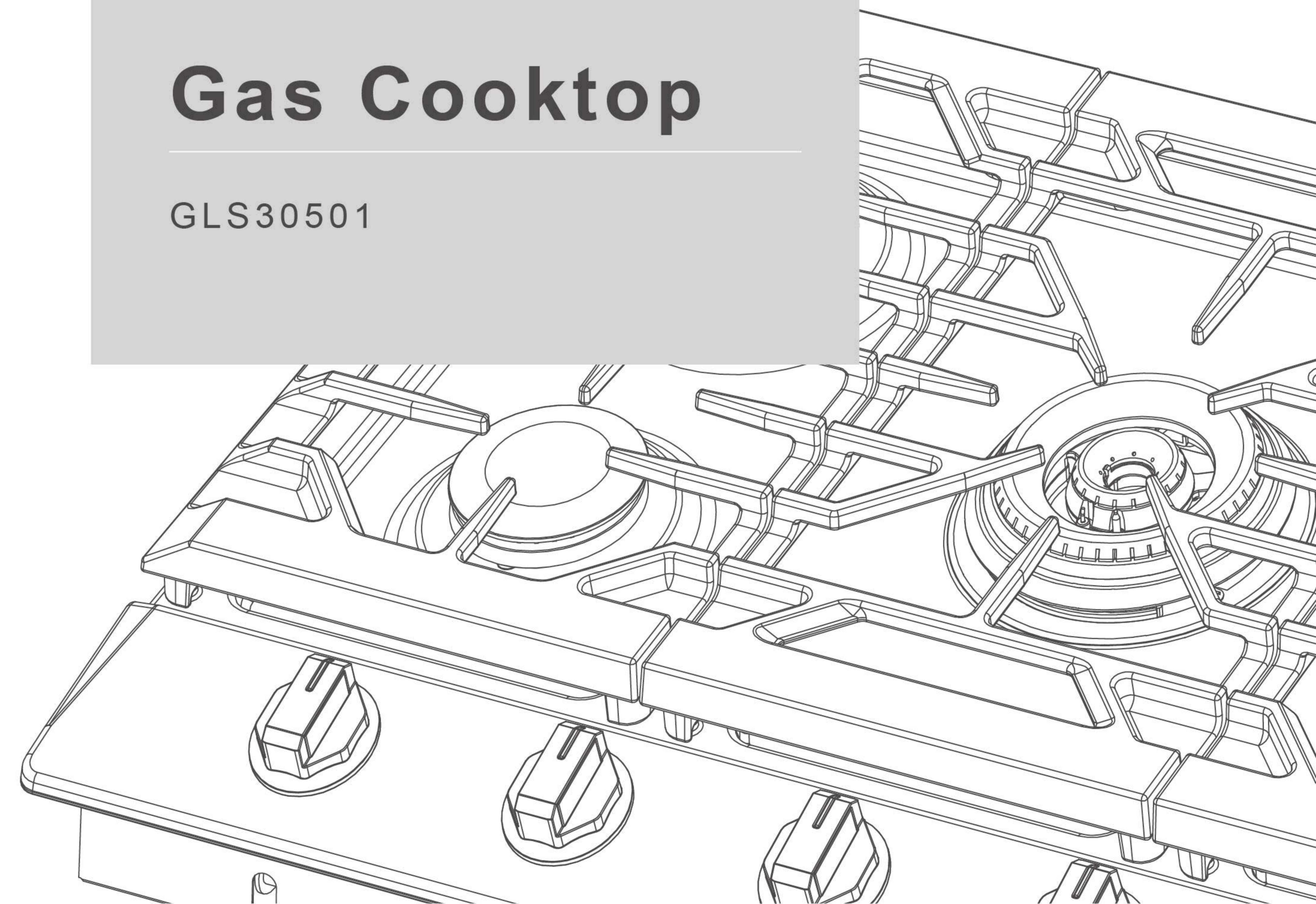
FOTILE

INSTALLATION MANUAL

Read all instructions before
using this appliance

Gas Cooktop

GLS30501



Every effort has been made to ensure that the information given in this manual is correct at the time of printing. However, due to the continuous product improvement, FOTILE reserves the right to make changes to the products and technical data without prior notice.

Manufacture: Ningbo Fotile Kitchenware Co., Ltd.

No.218 Binhai 2 Road, Hangzhou Bay New District, Cixi, Zhejiang, China

USA HQ : FOTILE AMERICA LLC.

6 Campus Dr, Suite 210, Parsippany, NJ 07054

Website : WWW.FOTILEGLOBAL.COM

1102002504910/20200805

Contents

Important Safety Information	2
Packing List And Tools	6
Before You Begin	7
Product Dimensions	7
Clearance Dimensions	8
Installation Requirements	9
Installation Instructions	11
Installing The Cooktop	11
Connecting The Cooktop To Gas Supply	12
Electrical Connections	13
Burner Components And Grate Installation	13
Check The Ignition And Flame Quality	16
LP Conversion Instructions	18

Important safety information

Read all instructions before using this appliance
Save this manual. Please do not discard.

Your safety and the safety of others are very important

We have provided many important safety messages in this manual and on your appliance. Always read and obey all safety messages.



This is the safety alerts symbol. This symbol alerts you to potential hazards that can kill or hurt you and others. All safety messages will follow the safety alerts symbol and either the word "DANGER" or "WARNING."

These words mean:



DANGER

You can be killed or seriously injured if you do not immediately follow instructions.



WARNING

You can be killed or seriously injured if you do not follow instructions.

All safety messages will tell you what the potential hazard is, tell you how to reduce the chance of injury, and tell you what can happen if the instructions are not followed.



WARNING

If the information in this manual is not followed exactly, a fire or explosion may result causing property damage, personal injury or death.

–Do not store or use gasoline or other flammable vapors and liquids in the vicinity of this or any other appliance.

– WHAT TO DO IF YOU SMELL GAS:

- Do not try to light any appliance.
- Do not touch any electrical switch.
- Do not use any phone in your building.
- Immediately call your gas supplier from a neighbor's phone. Follow the gas supplier's instructions.
- If you cannot reach your gas supplier, call the fire department.

– Installation and service must be performed by a qualified installer, service agency or the gas supplier.

Important safety information

WARNING

Gas leaks cannot always be detected by smell.
Gas suppliers recommend that you use a gas detector approved by UL or CSA.
For more information, contact your gas supplier.

WARNING

Never operate the top surface cooking section of this appliance unattended.

- Failure to follow this warning statement could result in fire, explosion, or burn hazard that could cause property damage, personal injury, or death.
- If a fire should occur, keep away from the appliance and immediately call your fire department. DO NOT attempt to extinguish an oil/grease fire with water.

IMPORTANT

Do not install a ventilation system that blows air downward toward this gas cooking appliance. This type of ventilation system may cause ignition and combustion problems with this gas cooking appliance resulting in personal injury or unintended operation.

STATE OF CALIFORNIA PROPOSITION 65 WARNINGS

WARNING

This product contains one or more chemicals known to the State of California to cause cancer, birth defects or other reproductive harm.

Gas appliances can cause low-level exposure to some of these substances, including benzene, carbon monoxide, formaldehyde and soot, caused primarily by incomplete combustion of natural gas or propane fuels.

Exposure to these substances can be minimized by opening a window or using a ventilation fan or hood.

STATE OF MASSACHUSETTS

In the State of Massachusetts, the following installation instructions apply:

- Installations and repairs must be performed by a qualified or licensed contractor, plumber, or gasfitter qualified or licensed by the State of Massachusetts.
- If using a ball valve, it shall be a T-handle type.
- A flexible gas connector, when used, must not exceed 3 feet.

Important safety information

INSTALLATION PRECAUTIONS

WARNING



Electrical shock hazard
Failure to do so could result in electrical shock or death.



Cut hazard
Take care-panel edges are sharp.
Failure to use caution could result in injury or cuts .

■ Important safety precautions

- Particular attention shall be given to the relevant requirements regarding ventilation.
- Please make this information available to the person installing the appliance as it could reduce your installation costs.
- This appliance is to be installed and connected to gas supply only by an authorised person.
- Installation must comply with your local building and local gas authority codes and electricity regulations.
- Failure to install the appliance correctly could invalidate any warranty or liability claims.
- This gas appliance is suitable for connection to natural gas and can convert to LPG only. If in doubt, refer to the local gas network operator or gas supplier to confirm gas type at installation site.

■ Before you install the appliance, please make sure that

- The local distribution conditions (nature of gas and pressure) and the adjustment of the appliance are compatible. For adjustment conditions for this appliance check data plate for relevant gas information.
- The supply connection point (gas shut-valve) is accessible after installation. The regulator supplied with Natural gas appliances must be fitted to the appliance inlet.

■ When you install the appliance

- We do not recommend the use of a down-draught extractor fan with the appliance, as it may distort the flame pattern, causing uneven heating and reduced cooking performance.
- Where this appliance is installed in marine craft or in caravans, it shall not be used as a space heater. Only models fitted with the flame failure device can be fitted in marine craft. No combustible material or products should be placed on this appliance at any time.
- Do not spray aerosols in the vicinity of this appliance while it is in operation.
- If, after following the instructions given, the appliance cannot be adjusted to perform correctly, please refer to the Service & Warranty book for warranty details and your nearest Authorised Service Centre, or contact FOTILE Customer Care at serviceusa@fotile.com or at 1-888-315-0366.

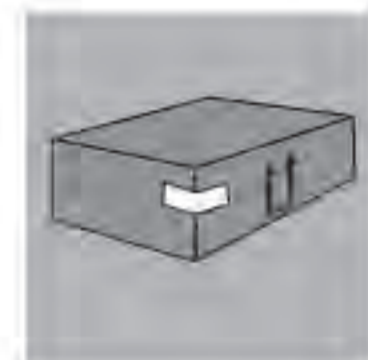
Important safety information

PACKAGE DISPOSAL INSTRUCTIONS - ENVIRONMENT POLICY

Our products are only packaged using non-pollutant, environment-friendly, recyclable materials. We urge you to cooperate by disposing of the packaging properly. Contact your local dealer or the competent local organizations for the addresses of collection, recycling and disposal facilities.

Never leave all or part of the packaging lying around. Packaging parts, and especially plastic bags, may represent a suffocation hazard for children.

Your old appliance must also be disposed of properly. Important: deliver the appliance to your local organization authorized to collect scrapped appliances. Proper disposal allows the intelligent recovery of valuable materials.



Never leave packaging residues unattended in the house. Separate waste packaging materials by type and consign them to the nearest separate disposal centre.

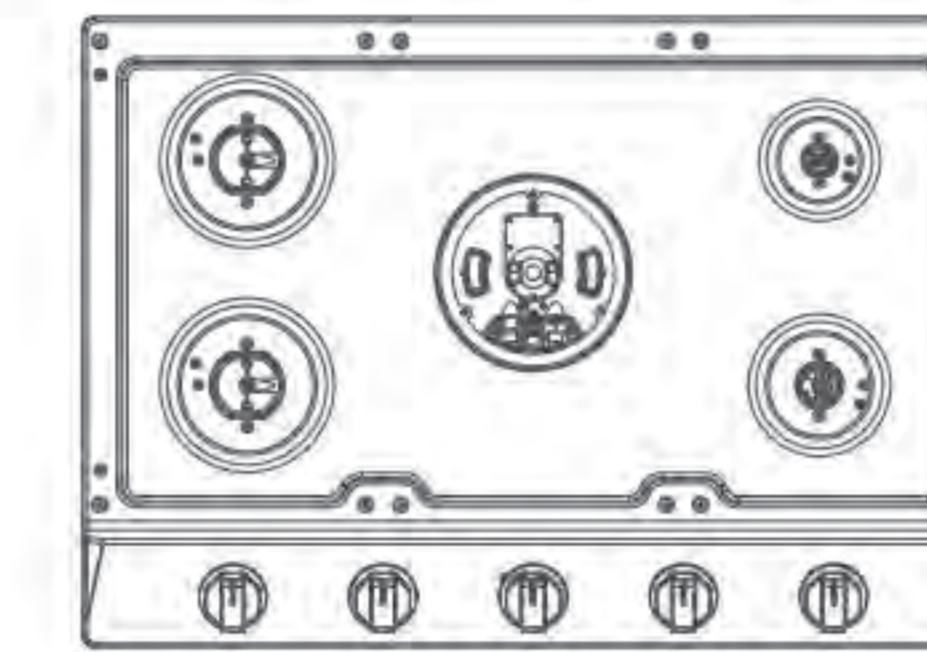


The inside of the appliance should be cleaned to remove all manufacturing residues.

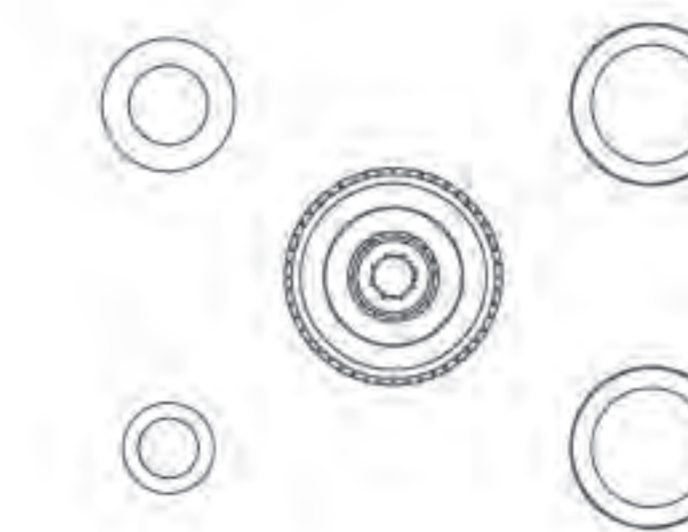
Packing List And Tools

WHAT'S INCLUDED

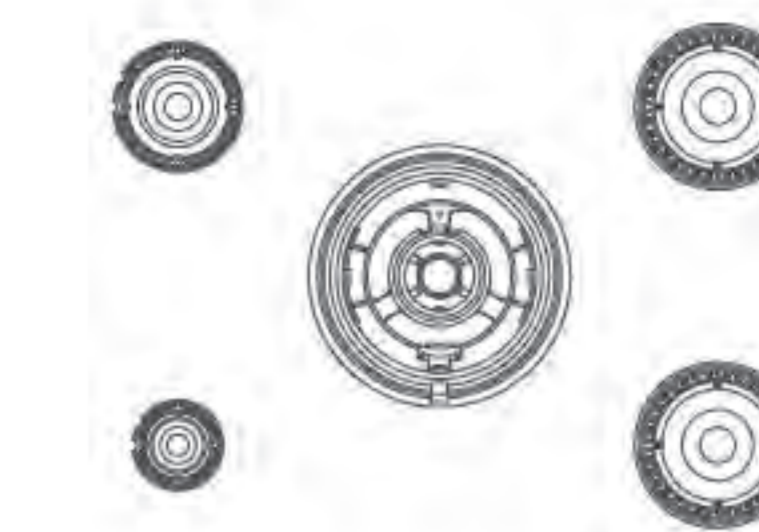
■ Packing list and tools



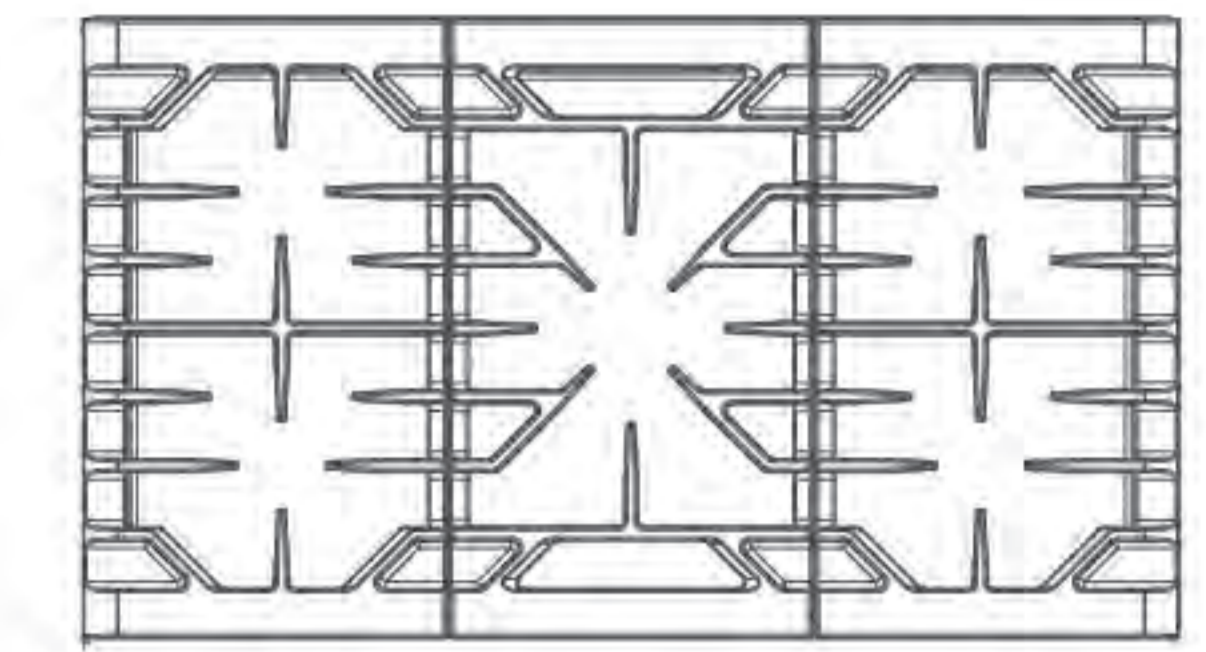
Cooktop (1)



Burner Caps (6)



Burner Heads (5)



Grates (3)



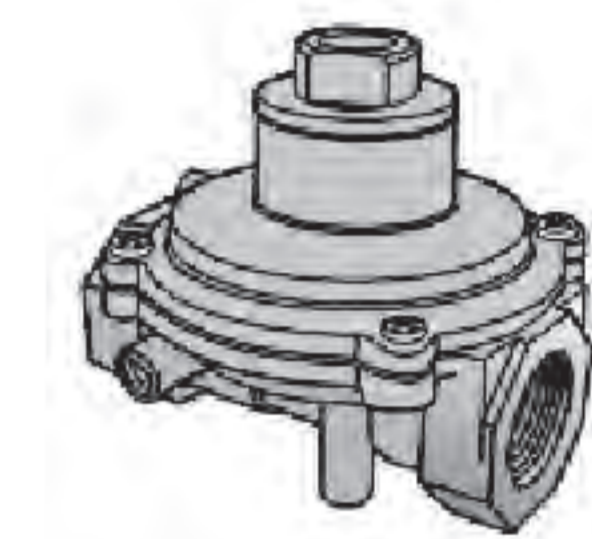
User Manual (1)



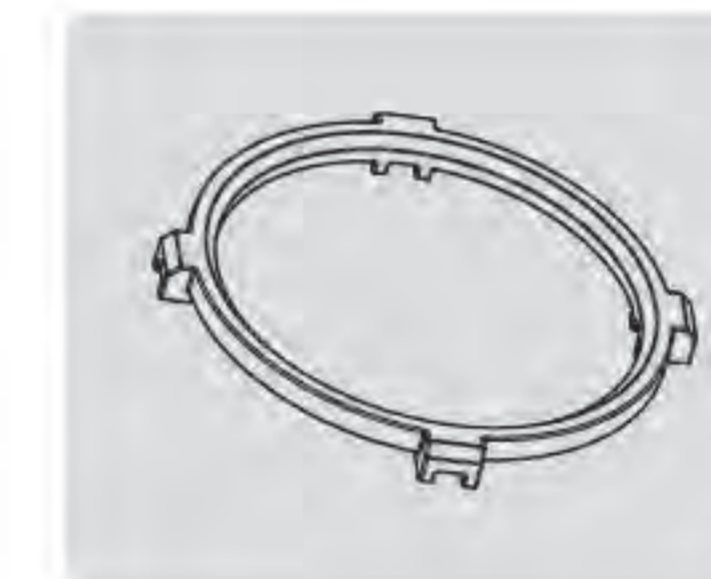
Installation Manual (1)



Warranty Card (1)



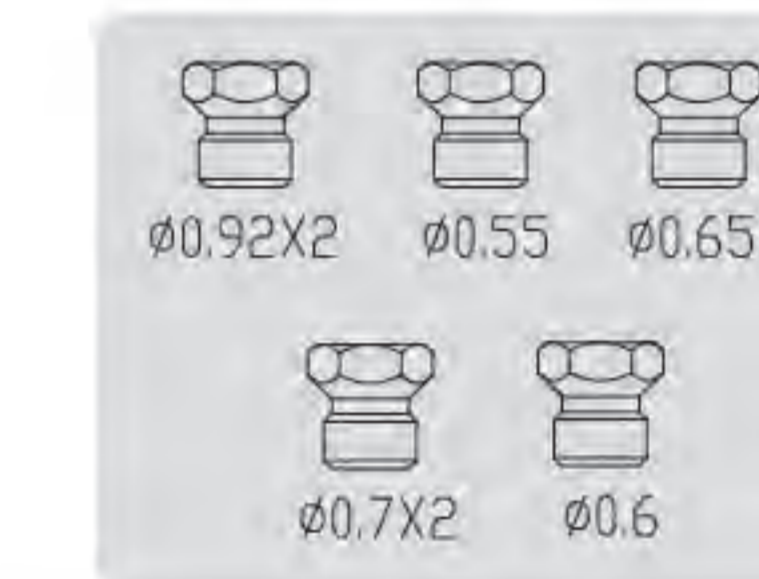
Pressure regulator (1)



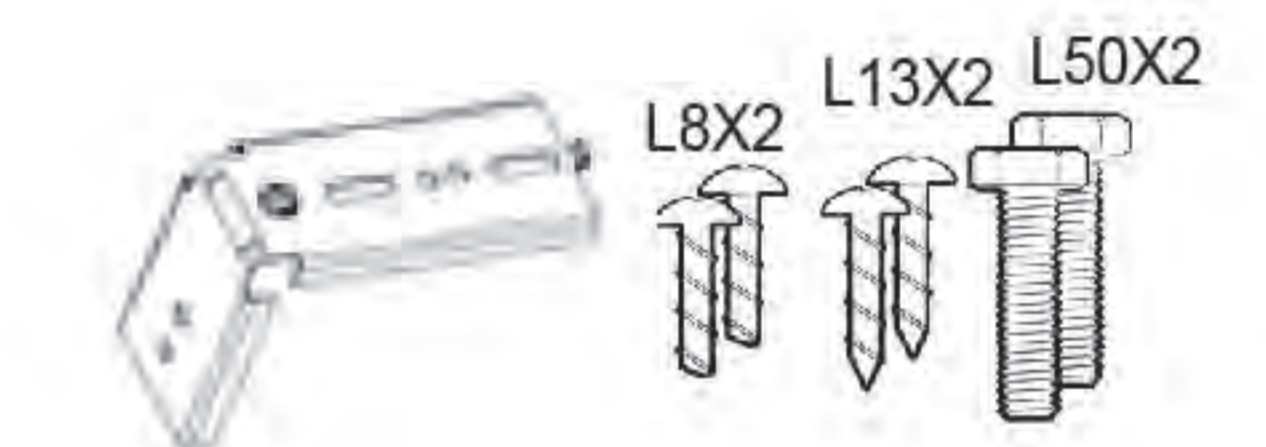
Wok Grate (1)



Cover Sheet (1)



Nozzles for LPG (7)



Panel mounting brackets (2)
Screws (6)

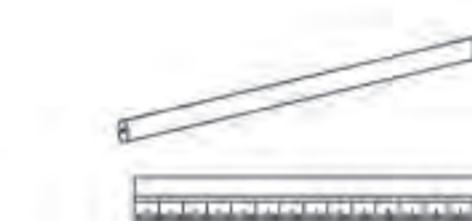
■ Tools You Will Need



Phillips screwdriver



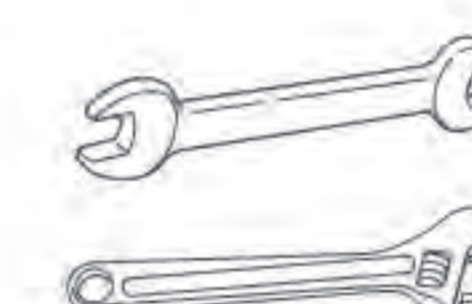
3/16" Flat-blade screwdriver



Pencil and ruler



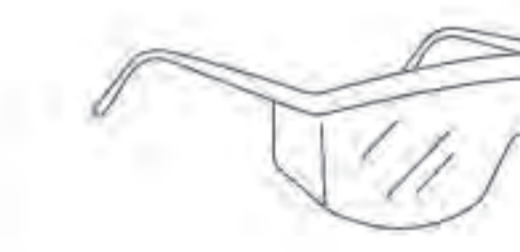
Saber Saw



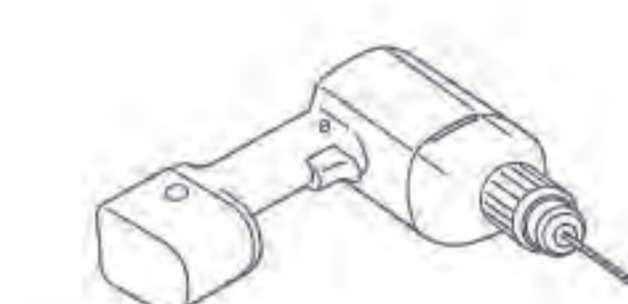
Open-end or adjustable wrench



Pipe wrenches(2)
(one for backup)



Safety Glasses



1/8" Drill Bit & Electric or Hand Drill

■ Materials You May Need

- Gas line shut-off valve
- Professional gas pipeline sealing materials that resists action of natural and propane gases
- Flexible metal appliance connector (3/8 NPT).
A 5-foot length is recommended for ease of installation but other lengths are acceptable.
Never use an old connector when installing a new cooktop.
- Flare union adapter for connection to gas supply line (3/4 or 1/2 NPT × 3/8 NPT).
- Flare union adapter for connection to pressure regulator on cooktop (1/2 NPT x 3/8 NPT).
- Liquid leak detector or soapy water.

Before you begin

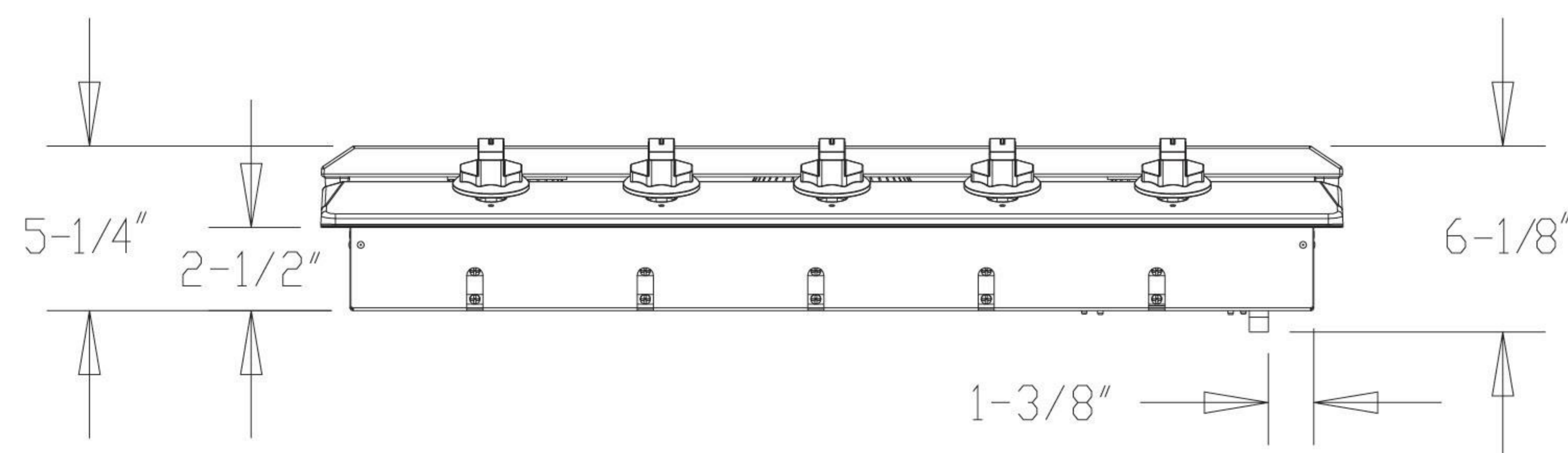
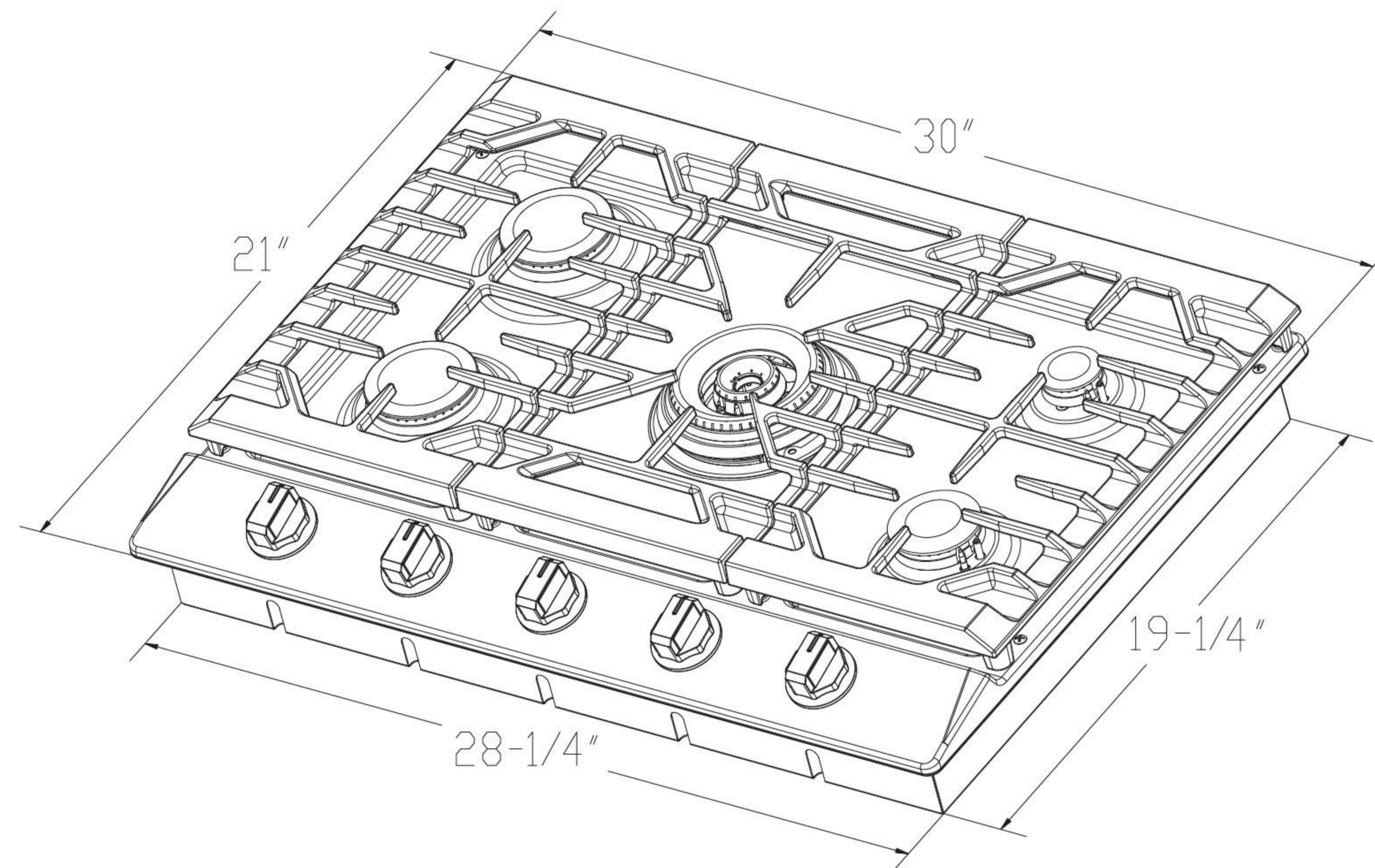
1. Remove packing materials from the cooktop.
2. Make sure you have received all of the supplied parts shown above in the parts list.
3. Check that the cooktop is in good condition without damage during unpacking.
4. Check the dimensions and clearances (shown below), make sure the inside of the cabinet and the cooktop do not interfere with each other.

If your cooktop was damaged during shipping or you do not have all of the supplied parts, contact Fotile Service at: serviceusa@fotile.com or 1-888-315-0366.

Product Dimensions

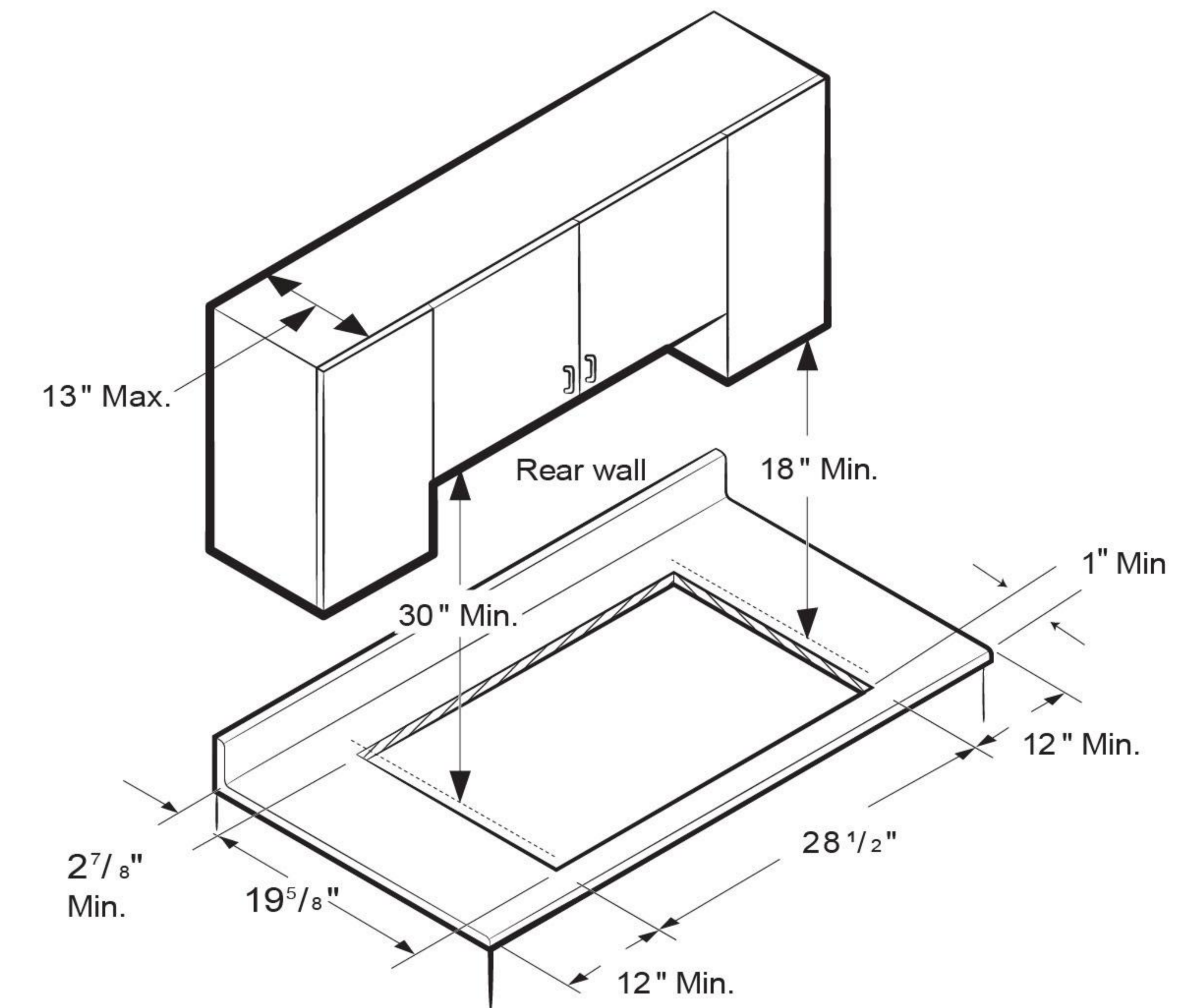
Product Dimensions (W x D x H) (inch):
30 x 21 x 5 1/4

Cut-out Dimensions (W x D) (inch):
(Min 28 1/2 - Max 29) x (Min 19 5/8 - Max 20 1/8)



Before you begin

Clearance Dimensions



Safety distances

Above the cooktop

The minimum safety distance given by the hood manufacturer must be maintained between the cook top and the hood above it. See the installation instructions of the hood for these safety measurements. If the hood manufacturer's instructions are not available or if flammable objects are installed over the cook top (e.g. cabinets, utensil rail, etc.), a minimum safety distance of 30" (760 mm) must be maintained.

Minimum vertical clearances of 18 inches from top surface unit to side cabinets. Minimum horizontal distance(s) from sides and back of appliance to adjacent vertical combustible walls extending above the top panel, 12 inches from the left side, 12 inches from right side, 12 inches from rear wall. Minimum clearance to combustible construction centered above cooking surface: vertical 30 inches, horizontal 30 inches. The unit overhead cabinet maximum depth: 13 inches. Minimum horizontal distance from front edge of counter to front side of appliance, 1 inches.

If there are several appliances beneath a hood, and they have different minimum safety distances always observe the largest distance.

Below the cooktop

All gas cooktop models require 7/16" free area below cooktop height to combustible material.

Installation requirements

■ Gas supply requirements

⚠ WARNING



Explosion Hazard

Use a new CSA/ETL International approved gas supply line.
Install a shut-off valve.
Securely tighten all gas connections.
If connected to LP, have a qualified person make sure gas pressure does not exceed 14” (36cm) water column.
Examples of qualified person include:
Licensed heating personnel
Authorized gas company personnel, and
Authorized service personnel.
Failure to do so can result in death, explosion, or fire.

⚠ WARNING

The pressure regulator located at the inlet of the cooktop manifold must remain in the supply line regardless of whether natural or LP gas is being used.

Provide adequate gas supply

This cooktop is designed to operate at a pressure of 4in (10cm) of water column on natural gas or 10in (25cm) of water column on LP gas.

Make sure you are supplying your cooktop with the type of gas for which it is designed. Do not attempt to convert the appliance from the gas specified in this manual to a different gas without consulting the gas supplier.

This cooktop is convertible for use on natural or propane gas. If you decide to use this cooktop on LP gas, conversion must be made by a qualified LP installer before attempting to operate the cooktop.

For proper operation, the pressure of natural gas supplied to the regulator must be between 4in and 10in (10cm and 25cm) of water column.

For LP gas, the pressure supplied must be between 10in and 13in (25cm and 33cm) of water column. When checking for proper operation of the regulator, the inlet pressure must be at least 1in (2.5cm) greater than the operating (manifold) pressure as given.

Installation requirements

■ Electrical requirement

⚠ WARNING



Electrical Shock Hazard

Plug into a grounded 3 prong outlet.
Do not remove ground prong.
Do not use an adapter.
Do not use an extension cord.
Failure to follow these instructions can result in death, fire, or electrical shock.

Electrical outlet 12” (30.5 cm) minimum below countertop

All gas models are equipped with a power cord with an equipment-grounding conductor and a grounding plug.

A 120-Volt, 60-Hz, AC, approved electrical service with 20-amp circuit breaker or time-delay fuse is required for all U.S. and Canadian models.

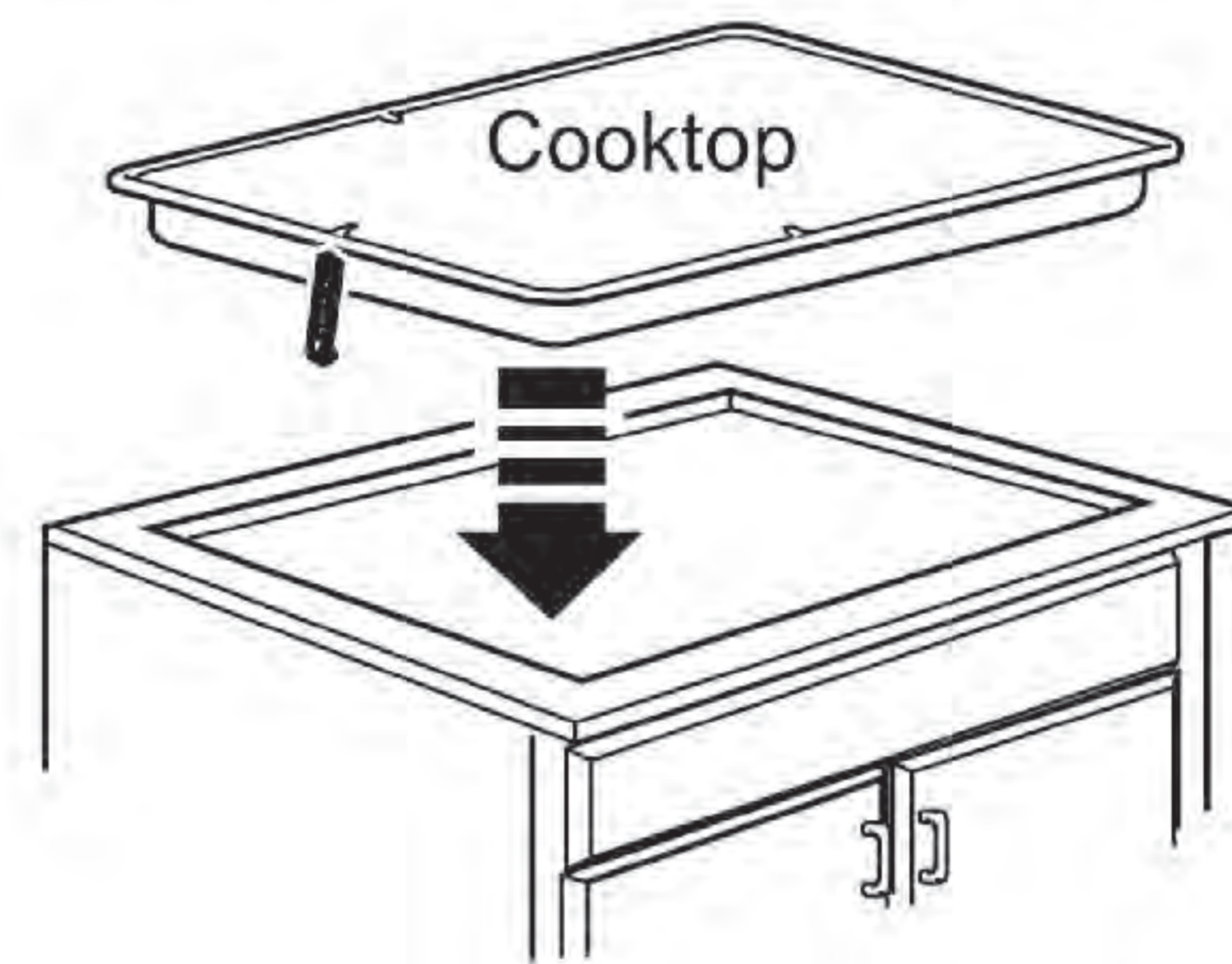
The plug must be firmly plugged into a three-prong outlet that is properly installed and grounded in accordance with all local codes and ordinances. In the event of a malfunction or breakdown, grounding will decrease the risk of electrical shock by providing a path for the electric current.

⚠ WARNING

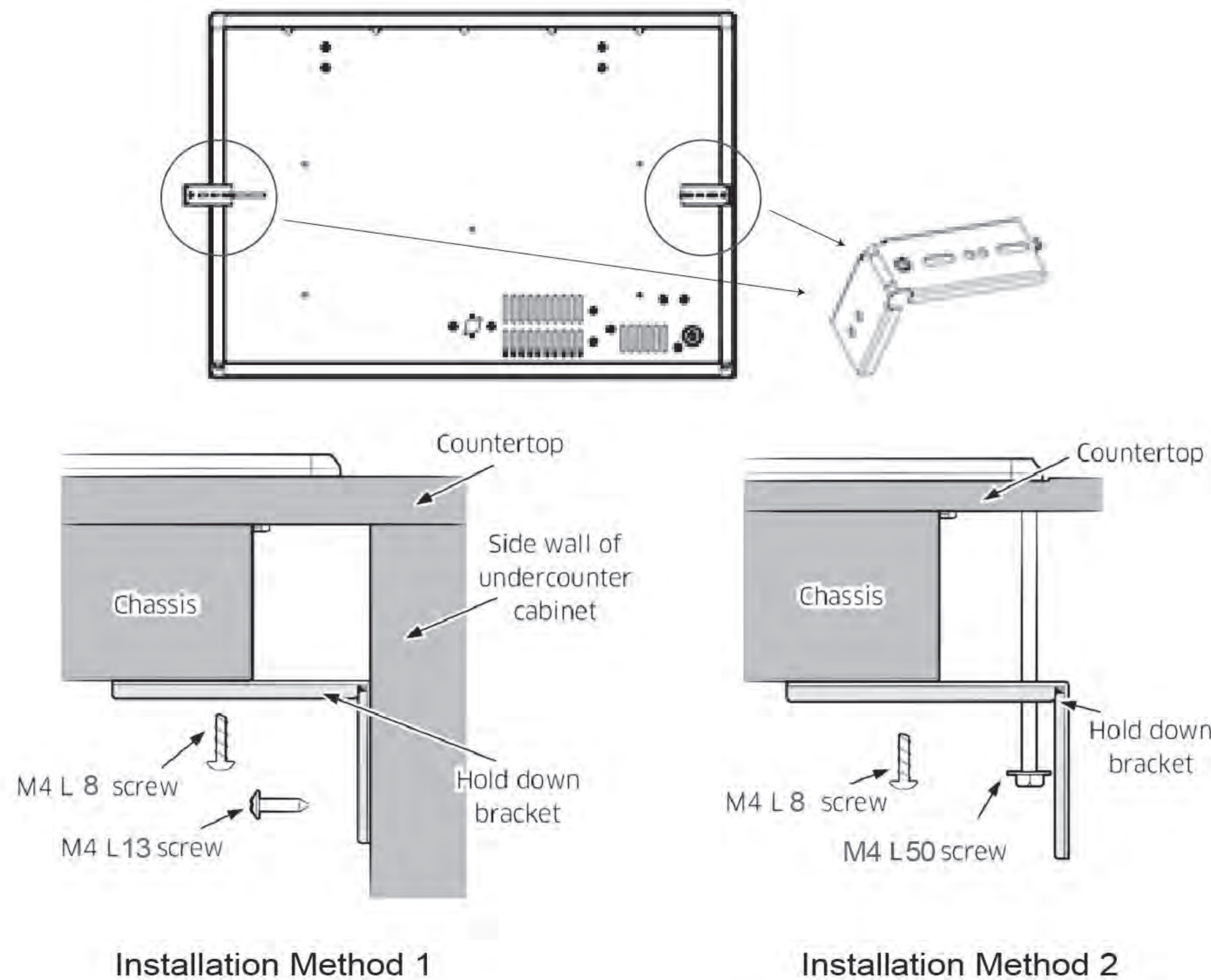
Please read the following instructions, as well as the Important Safety Instructions section at the front of this manual, completely and carefully BEFORE installing and/or operating the gas cooktop. Improper installation, adjustment, service, or maintenance can cause personal injury or property damage.

■ Step 1: Installing the cooktop

- Locate electrical outlet and gas shut-off valve beneath the cabinet.
- Insert the cooktop centered into the cutout opening. Make sure the front edge of the countertop is parallel to the cooktop. Make final check that all required clearances are met.
- * Be careful that the ignition needle/thermocouple is not damaged by inserting.



- Choose installation method 1 or method 2 shown below to secure the cooktop to the countertop using the two provided hold-down brackets as shown.



■ Step 2: Connecting the cooktop to gas supply

⚠ WARNING

Shut off the main gas supply valve before disconnecting the old cooktop and leave it off until the new hookup has been completed. Don't forget to relight the burner on other gas appliances when you turn the gas back on.

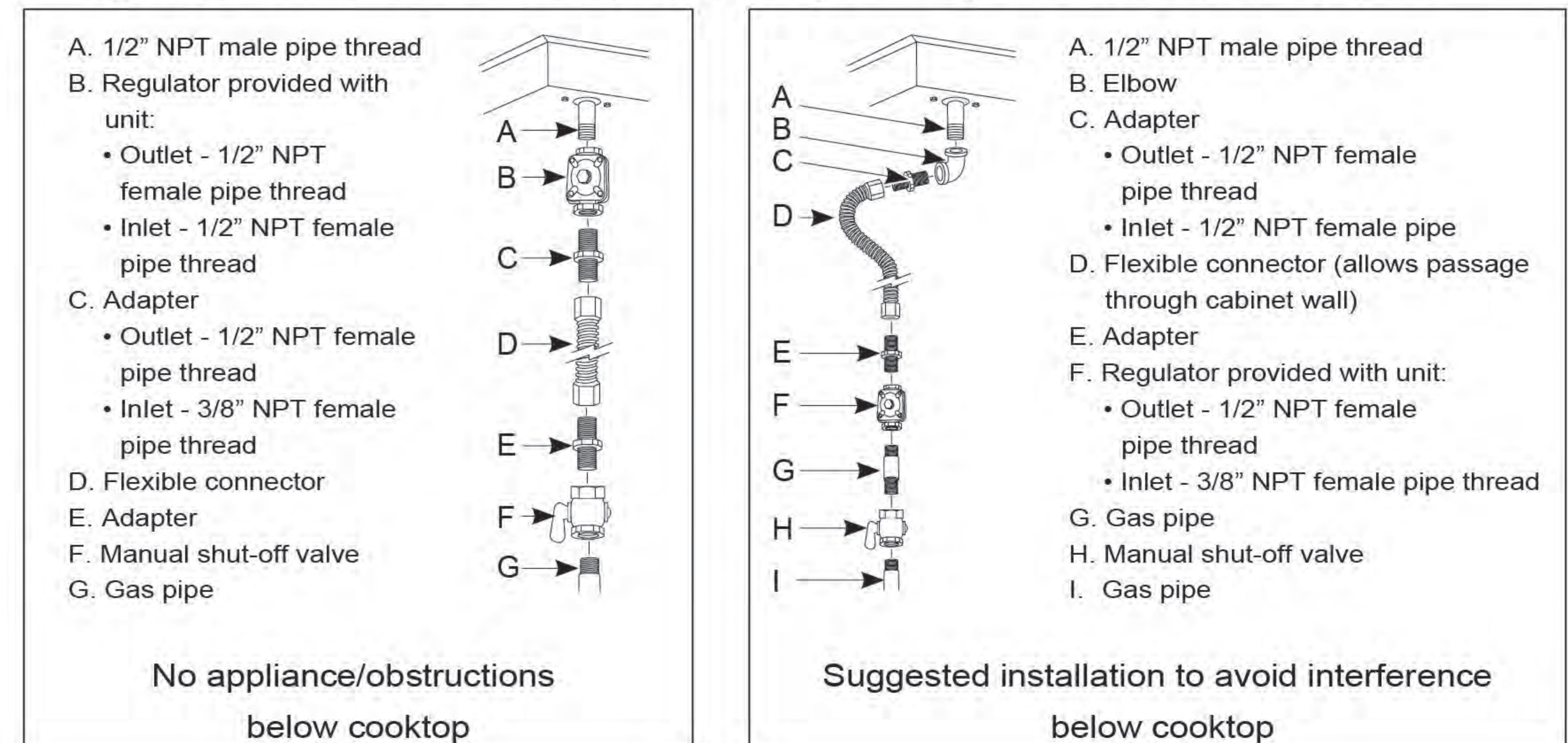
Because hard piping restricts movement of the cooktop, the use of a CSA International-certified flexible metal appliance connector is recommended unless local codes require a hard-piped connection.

Never use an old connector when installing a new cooktop. If the hard-piping method is used, you must carefully align the pipe; the cooktop cannot be moved after the connection is made.

Tighten all connections if necessary to prevent gas leakage in the cooktop or supply line.

Check for gas leaks: To prevent death, personal injury, explosion, and/or fire hazard, DO NOT use a flame to check for gas leaks. When using test pressures greater than 1/2 psig to pressure-test the gas supply system of the residence, disconnect the cooktop and individual shut-off valve from the gas supply piping. When using test pressures of 1/2 psig or less to test the gas supply system, simply isolate the cooktop from the gas supply system by closing the individual shut-off valve.

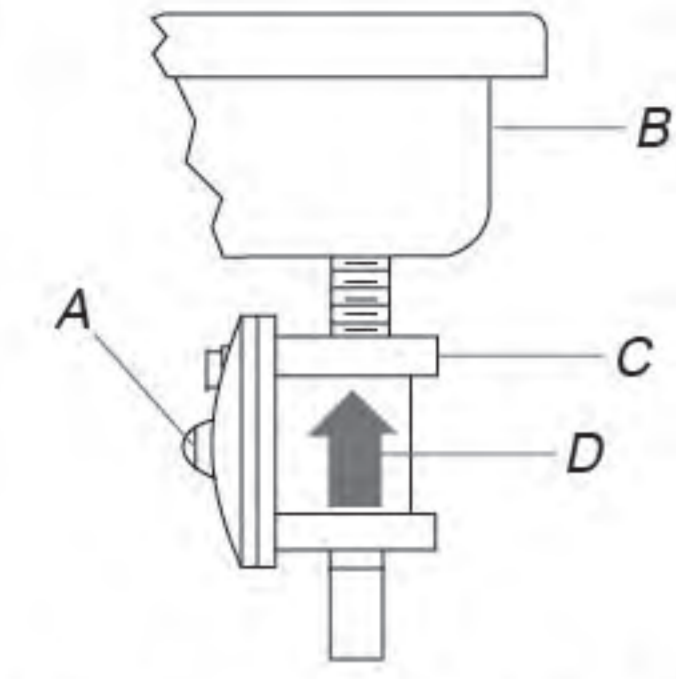
- FOTILE gas cooktops are manufactured and shipped to be used with natural gas. If you want to use LPG, please convert before using.
- To prevent gas leaks, please use professional gas pipe sealing materials on all male (external) pipe threads.
- Attach the gas pressure regulator (included with the cooktop) to the cooktop pipe nipple inlet. For tight installations, the regulator may be installed upstream from the pipe nipple, anywhere between the shut-off valve and the cooktop. For best performance, minimize gas pressure loss by attaching the regulator as close as possible to the cooktop gas inlet.
- When all connections have been made, make sure all cooktop controls are in the off position and turn on the main gas supply valve.
- Use Soap-suds at all joints and connections to check for leaks in the system.
- Tighten all connections if necessary to prevent gas leakage in the cooktop or supply line.



Installation instructions

• Pressure regulator installation

Install the pressure regulator with the arrow pointing in the direction toward the bottom of the cooktop base and in a position where you can reach the regulator access cap.



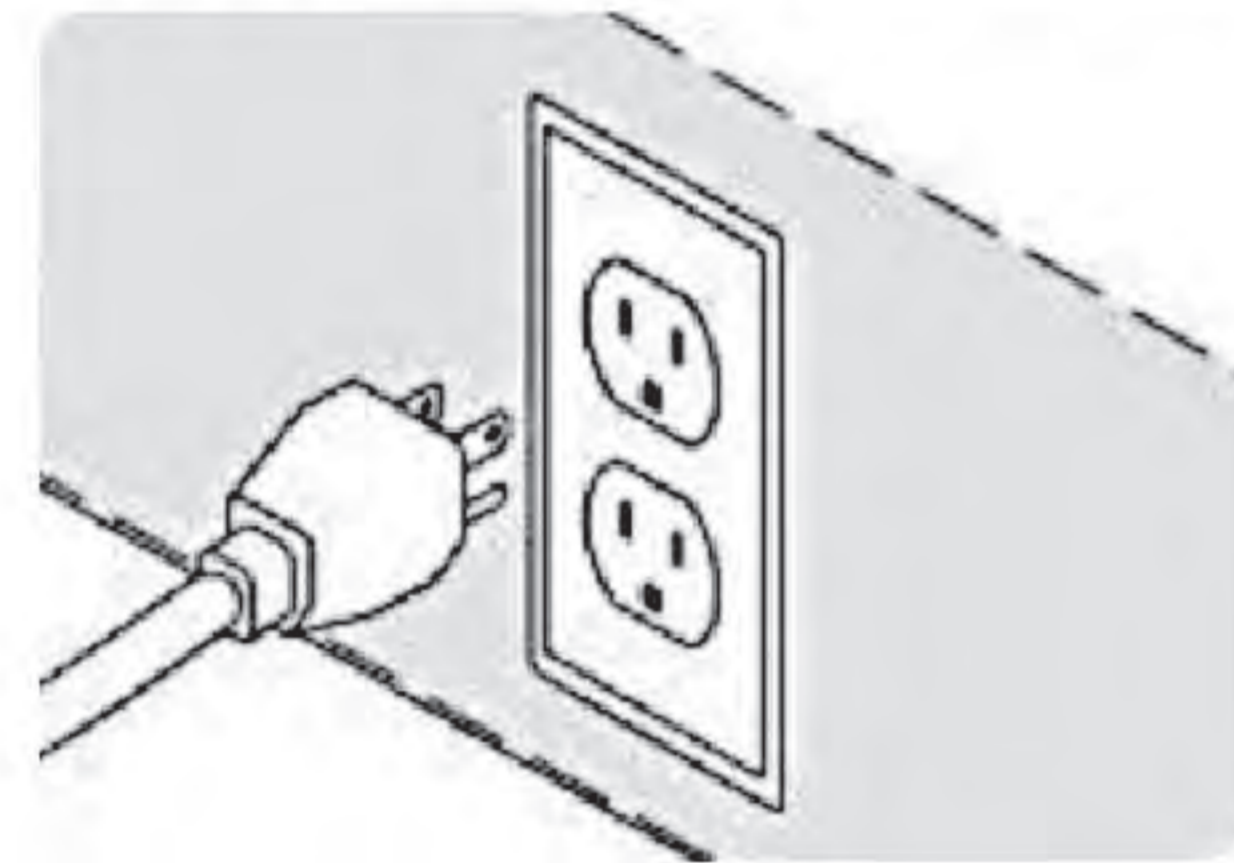
- A. Access cap
- B. Rear of cooktop
- C. Gas pressure regulator
- D. Up arrow. The arrow is on the bottom of the pressure regulator.

■ Step 3: Electrical connections

⚠ WARNING

The electrical system, including the power cord, is preinstalled and prewired at the factory. Altering any part of this system may result in a short or overload.

- All gas cooktops come with a power cord. The power cord is connected to the bottom of the cooktop
- Plug in the power cord. Make sure the outlet meets local or national electrical codes



■ Step 4: Burner components and grate installation



Outer Burner Cap Burner Head Inner Burner Cap

Center: 21000BTU, Versatile Tri-Ring Burner



Burner CapΦ90 Burner Head

LF/LR:13000BTU,Rapid Burner



Burner CapΦ75 Burner Head

RF:6000BTU,Semi Rapid Burner



Burner CapΦ50 Burner Head

RR:3000BTU Simmer Burner

Installation instructions

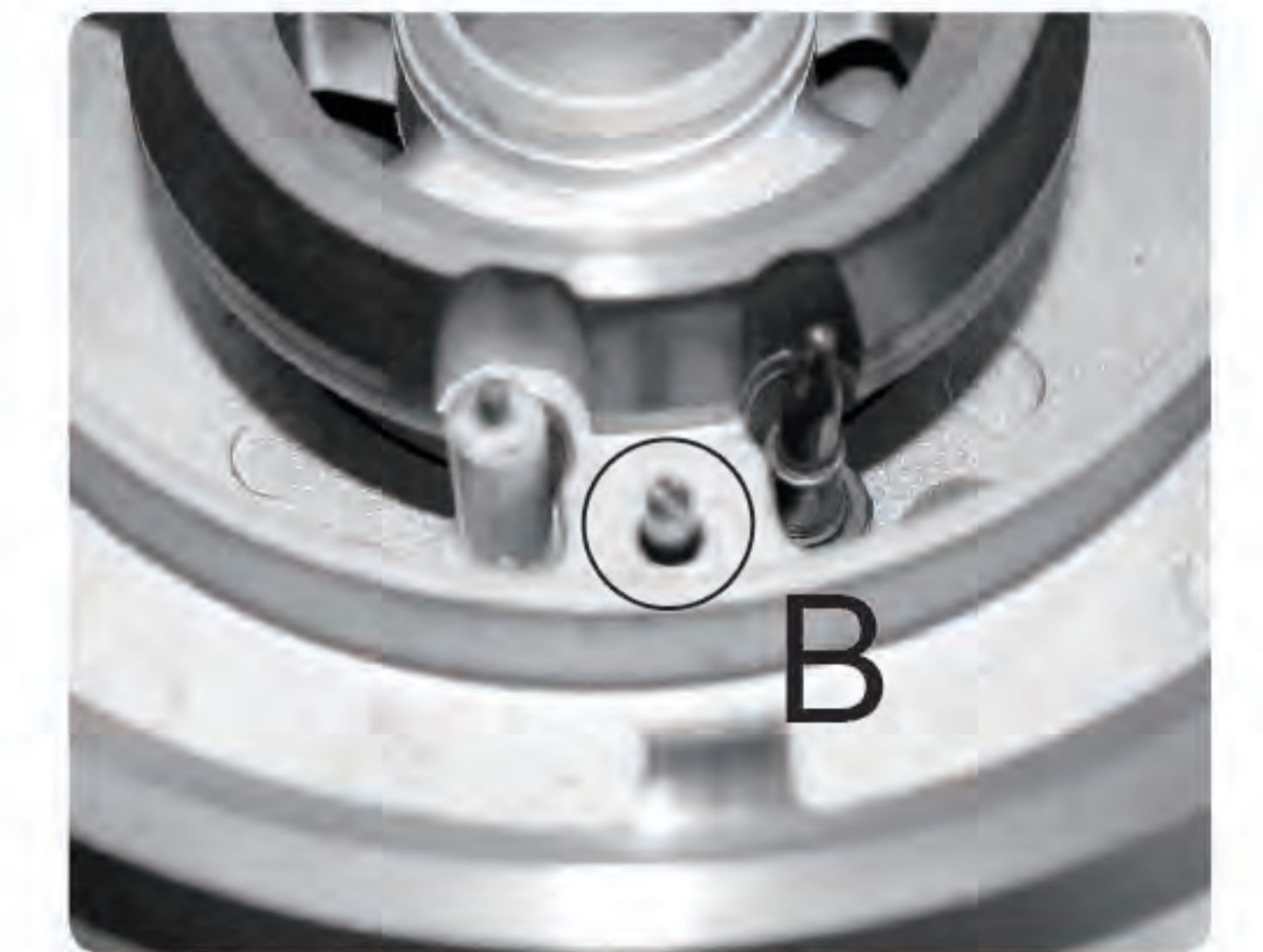
Burner components installation

Center versatile Tri-Ring burner assembly:

1. Hold the burner head so the shiny silver side is facing down. Find the small hole in the burner head as noted in this picture.



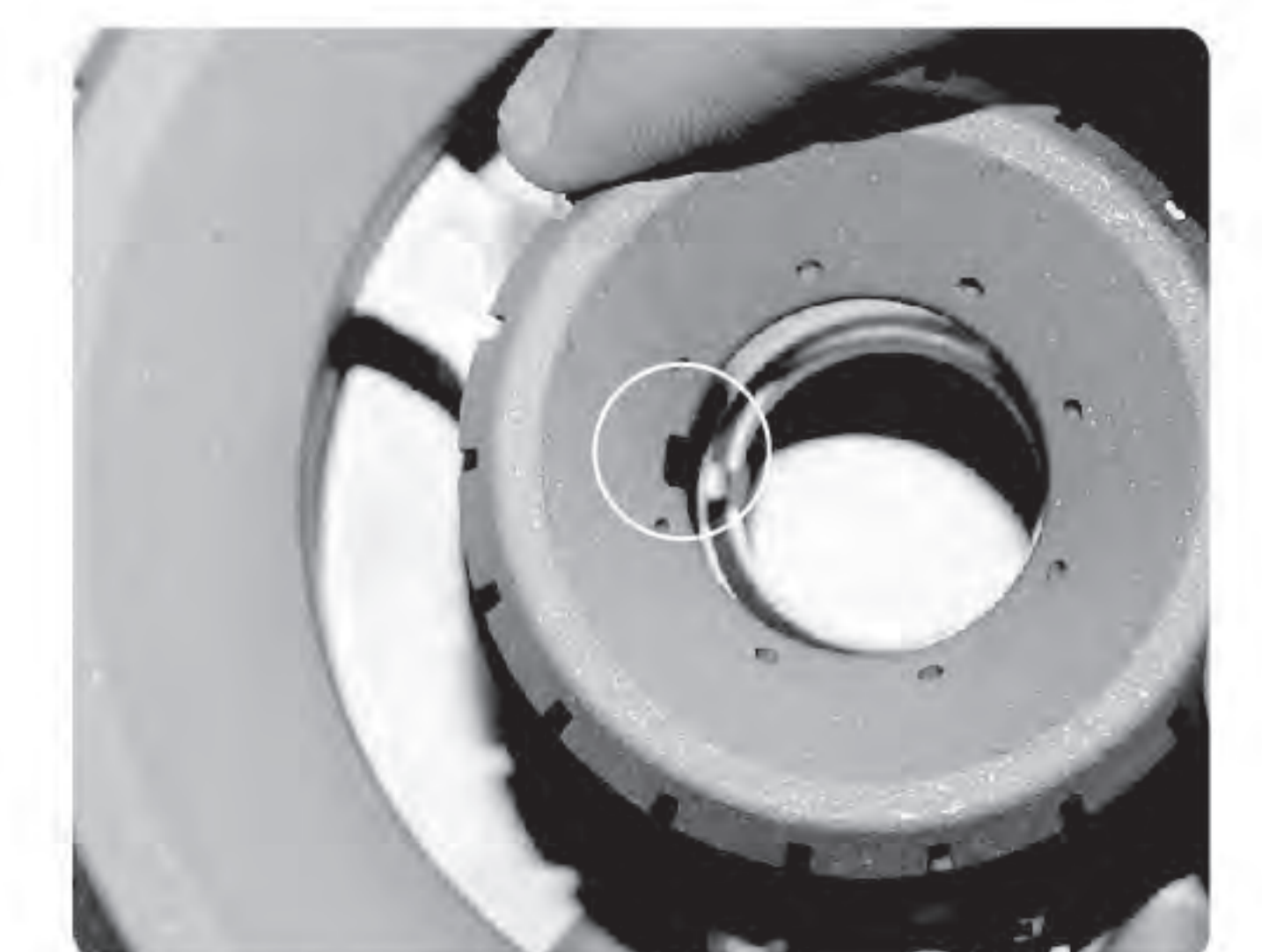
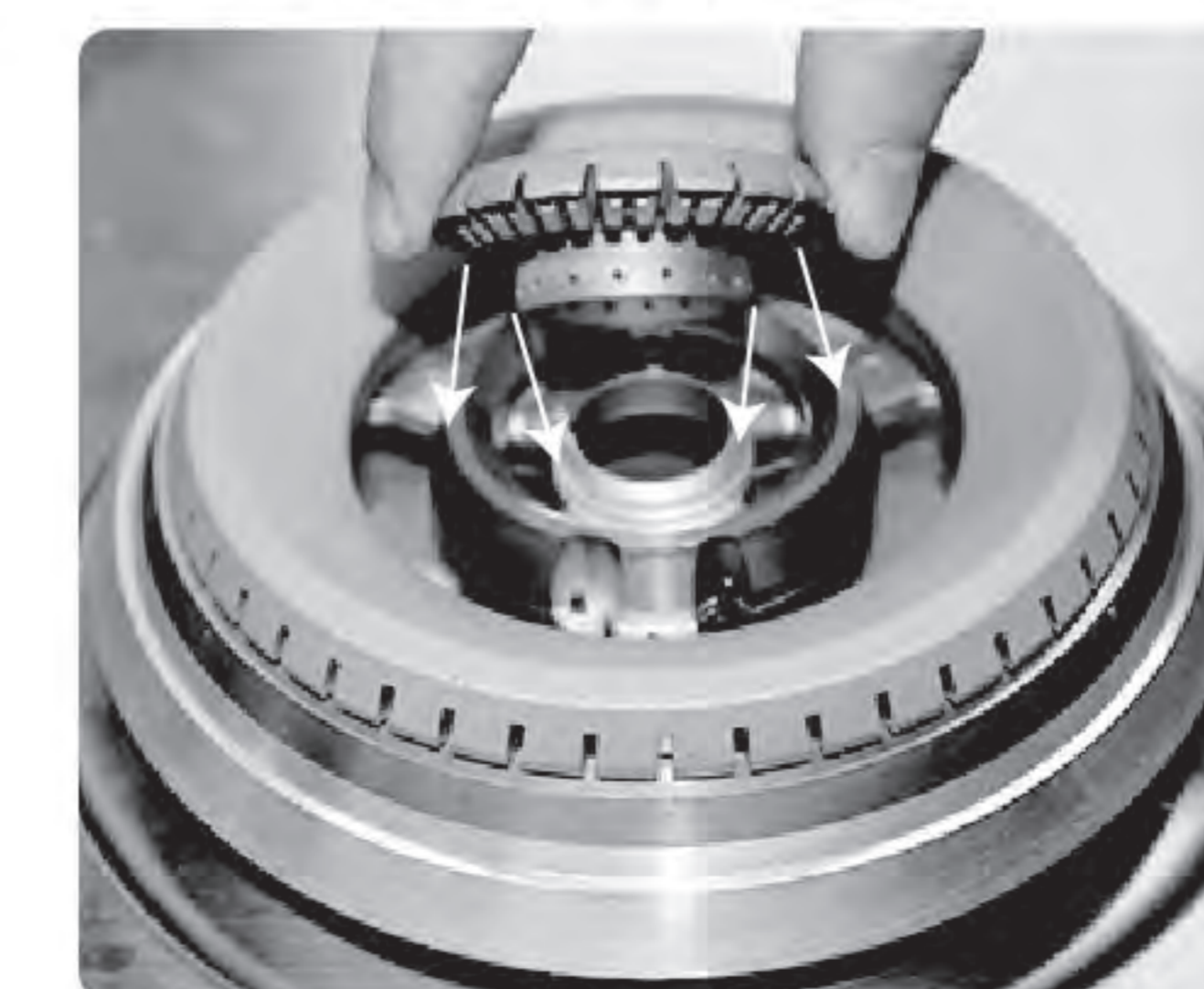
2. Place the burner head onto the cooktop surface so that "hole A" gets inserted into "pin B" on the cooktop. Make sure "Pin B" is firmly seated into "hole A" on the Burner Head. If not, remove the burner head and try it again. Please refer to the pictures below for this step.



3. Place the lined part of outer burner cap to fit in the lined part of the burner head. Shake the outer burner cap gently to check if it is firmly seated (you will be able to rotate the outer burner cap, but it should be firmly seated in the burner head.)



4. Next, place the inner burner cap on the burner head and make sure it is firmly set by gently sliding it from side to side.



Installation instructions

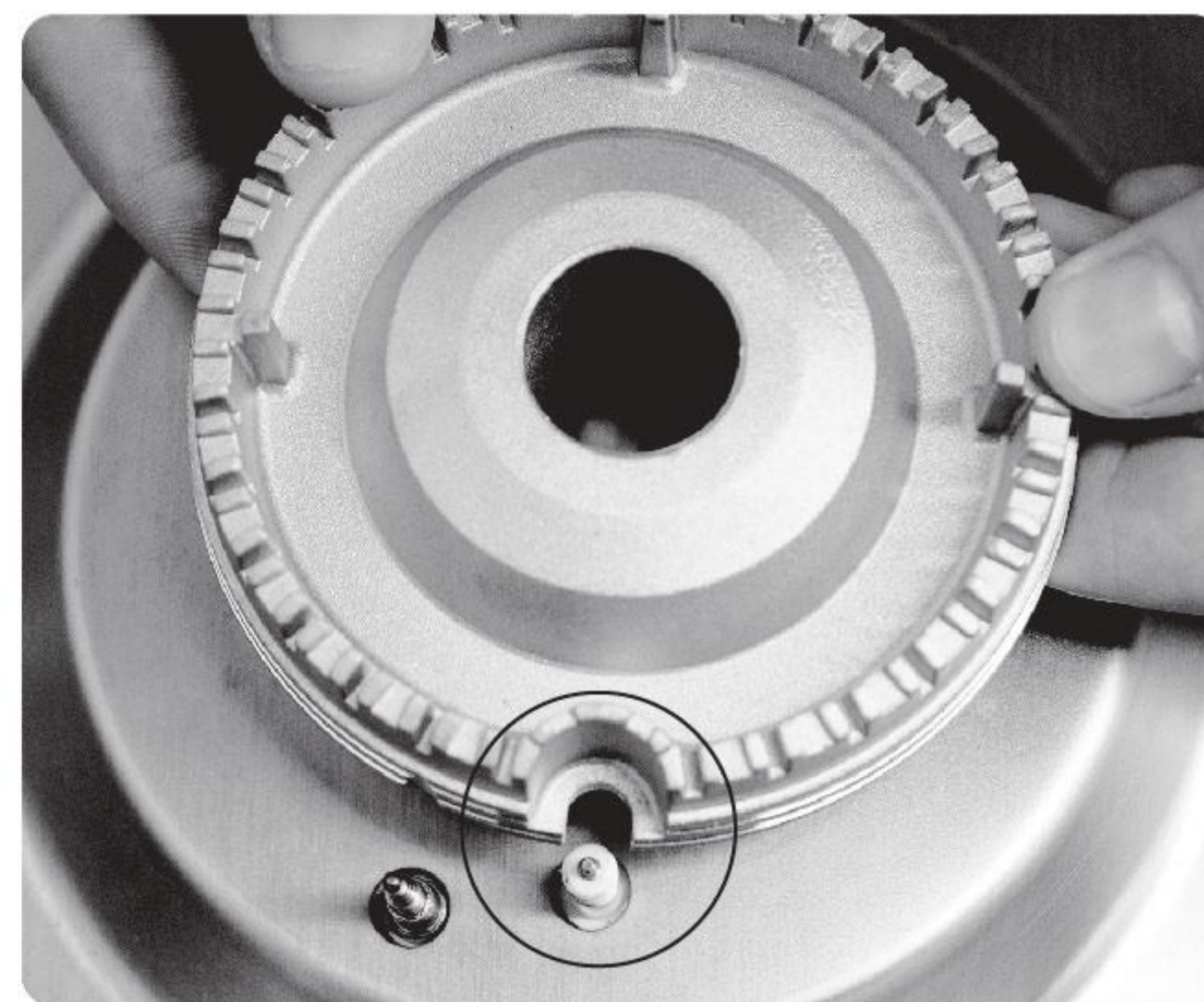
5. Check if the burner head/burner cap is firmly seated. If the burner head/cap is not level or is unstable, you must take it off, and reinsert it again.

Other burner assembly:

1. Identify 13000BTU/6000BTU/3000BTU burner head and burner cap by size.
2. Hold the burner head, then find the gap "C" and ignition needle "D", make it on the same side.



3. Place the burner head with the gap "C" next to the ignition needle "D" and make sure the burner head is firmly seated.



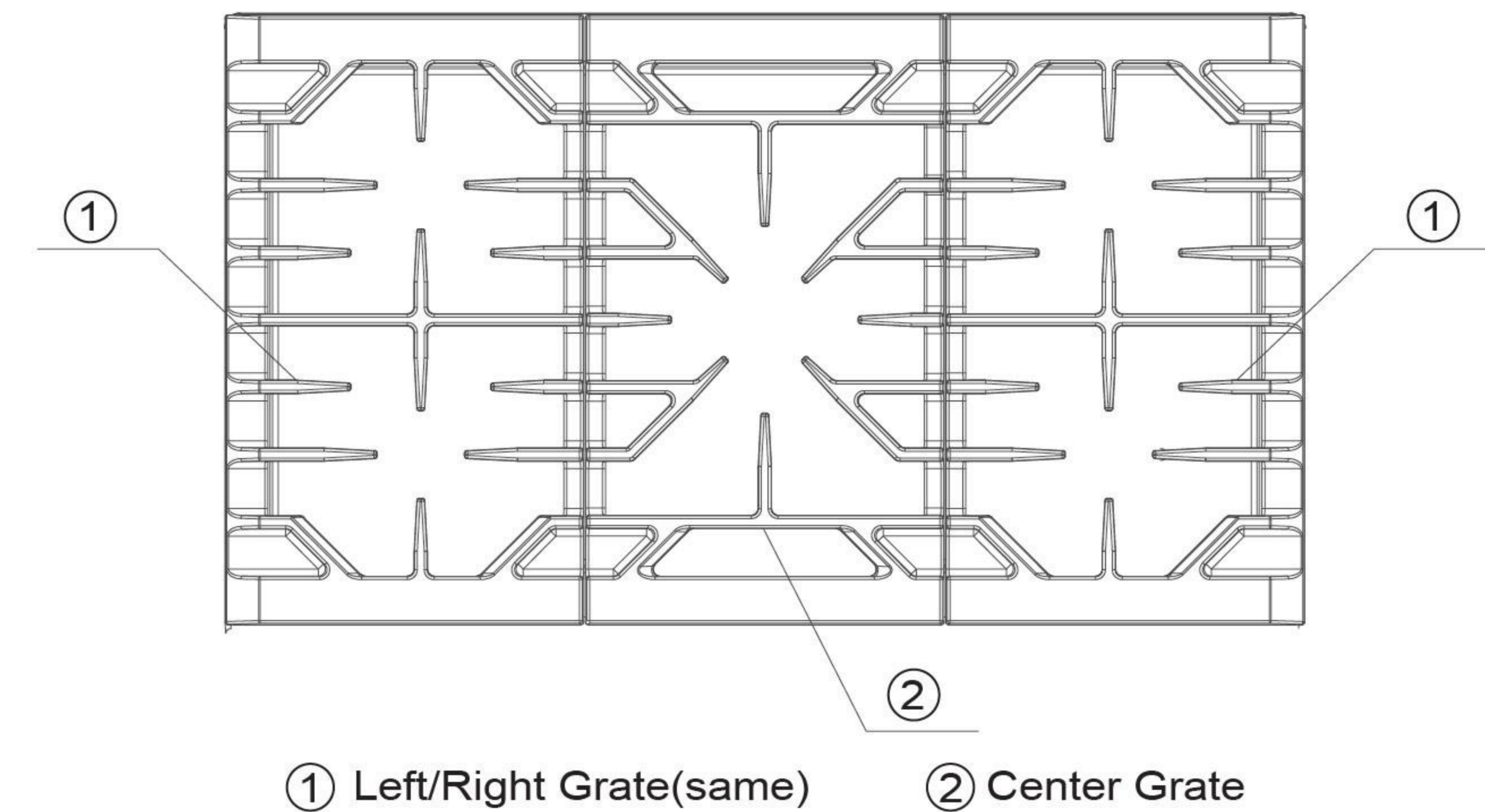
4. Place the lined part of burner cap to fit in the lined part of the burner head. Shake the burner cap gently to check if it is firmly seated.



5. Check if the burner head/burner cap is firmly seated. If the burner head/cap is not level or is unstable, you must take it off, and reinsert it again.

Installation instructions

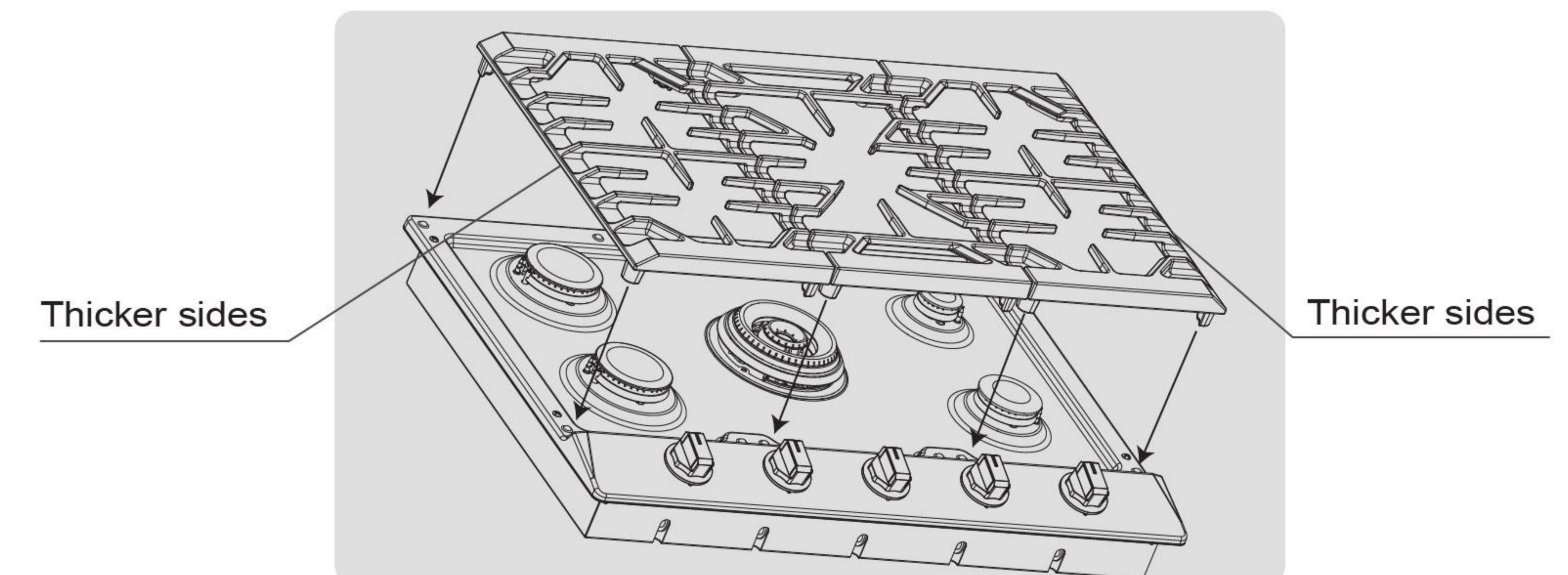
Install the grates



The three cooktop grates are designed to fit in specific positions on the cooktop. For maximum stability, these grates should only be used in their proper positions.

To properly setup your cooking grates, please follow these steps:

1. Take out the three grates and find the center grate first. Note, the left and right grids are exactly the same.
2. Gently lower the legs of the center grate so they rest in the center grate dimples of the cooktop.
3. Take the other two grates and make sure the thicker sides of the grates face the outer left and right sides of the cooktop.
4. Gently lower the legs of the grates into the dimples of the cooktop. When properly installed, neither grate will make contact with the overhangs of the center grate.



Step 5: Check the ignition and flame quality

⚠ WARNING

If it does not light within the first 15 seconds, turn the knob to OFF and wait for 60 seconds before attempting to light it again.

When the knob is released, the igniter will continue to maintain the ignition state for 1 to 3 seconds, which provides better ignition rate.

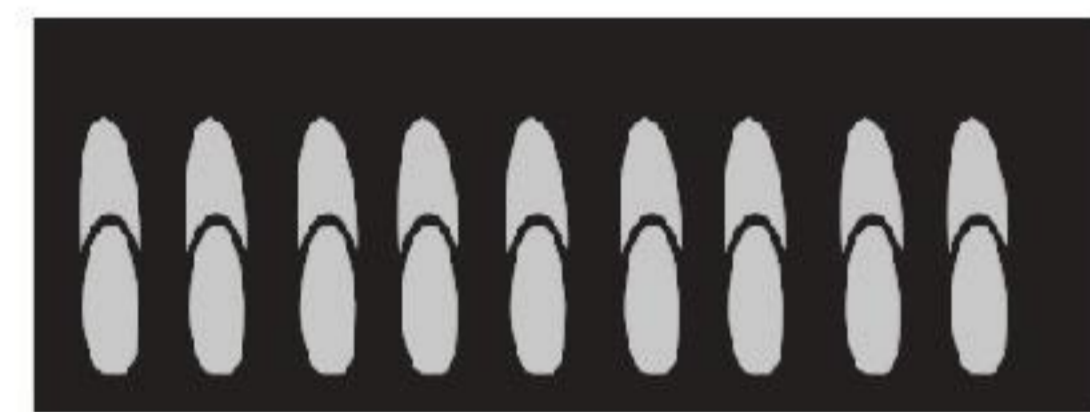
Installation instructions

Check the ignition

- This appliance is equipped with an electronic ignition device. Simply press the knob downward and turn it counterclockwise to HI. Then, you will hear clicking sounds, which indicates proper operation of the ignition system.
- Once air is purged from the supply line, the burner should light within 3-5 seconds, and the clicking sounds will stop.
- After the burner lights, rotate the knob to your desired position.
- Try each burner in succession until all burners have been checked.

Check the flame quality

- Determine the quality of flames visually. Normal burner flames should look like following 2 pictures.
- Long, bright yellow flames are not normal. Normal flames may show signs of an orange tint when well heated or signs of flickering orange due to particles in the gas or air.



(A) Soft blue flames—
Normal for natural gas

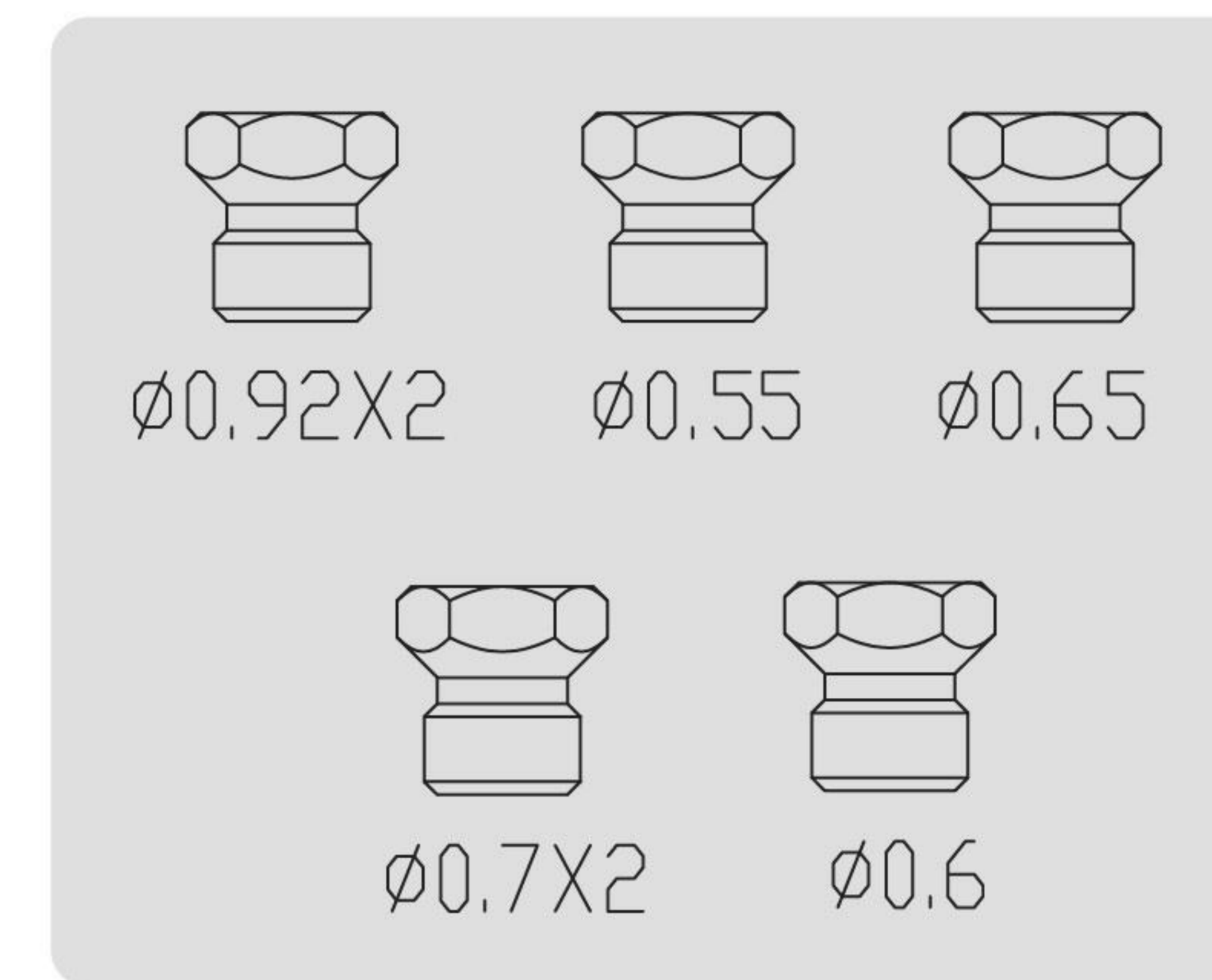


(B) Yellow tips on
outer cones—
Normal for propane gas

LP Conversion Instructions

All FOTILE gas cooktops are manufactured and shipped to be used with natural gas. The cooktop are also shipped with LP Conversion Kits (a set of properly-sized burner orifices, the pressure regulator could use for both natural gas and LP), so the cooktop can be converted to be used with LP gas. Please follow instruction when converting.

LP Conversion Kits



BURNER ORIFICE SIZES AND OUTPUT RATINGS (LP Gas [Propane] 10 in WCP)		
BURNER LOCATION	BTU RATE	Orifice size [mm]
RF	4500	0.65
LF	9000	0.92
RR	3000	0.55
LR	9000	0.92
CENTER	15000	In:0.6/Out:0.7(2 pcs)

■ Required tools



Adjustable wrench



9/32" open-end wrench



Nut drivers:9/32"or 7mm



Phillips screwdriver



3/16" Flat-blade screwdriver

To convert your cooktop for use with LP gas, perform the following steps and procedures:

1. Disconnect electrical power to the cooktop. Unplug the cooktop power cord, trip the circuit breaker, or remove the fuse from the fuse box.
2. Shut off the gas supply to the cooktop. Close the manual shut-off valve to the cooktop.

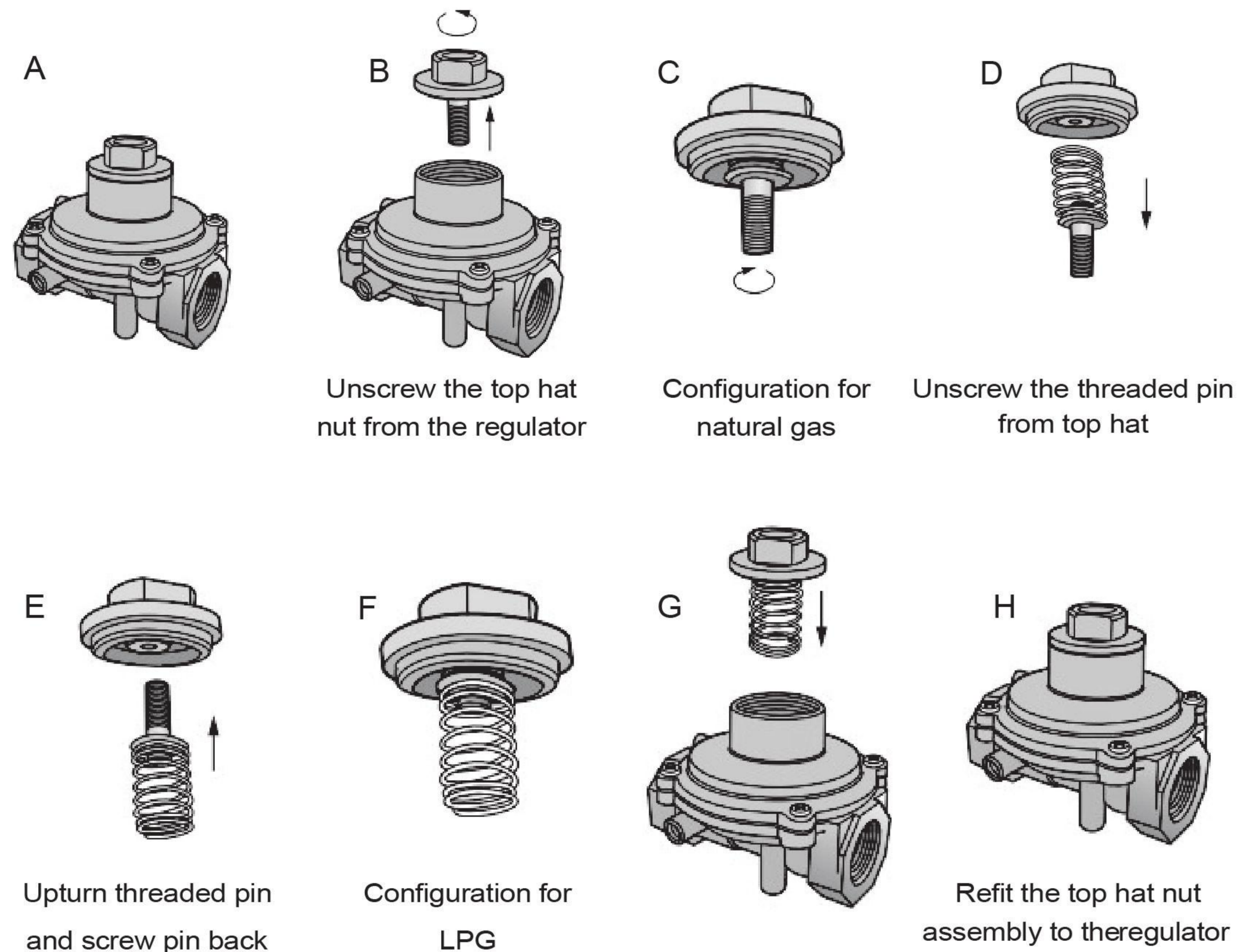
LP Conversion Instructions

⚠ WARNING

Do not operate the cooktop burners when using LP gas before converting the pressure regulator and burner orifices for LP gas use. Failure to do so could cause high flames and toxic fumes which can result in serious injury.

This conversion must be performed by a qualified installer or gas supplier in accordance with the manufacturer's instructions and all codes and requirements of the authority having jurisdiction. Failure to follow ALL instructions could result in serious injury or property damage.

■ 1. Following below instruction to change pressure regulator from natural gas to LP

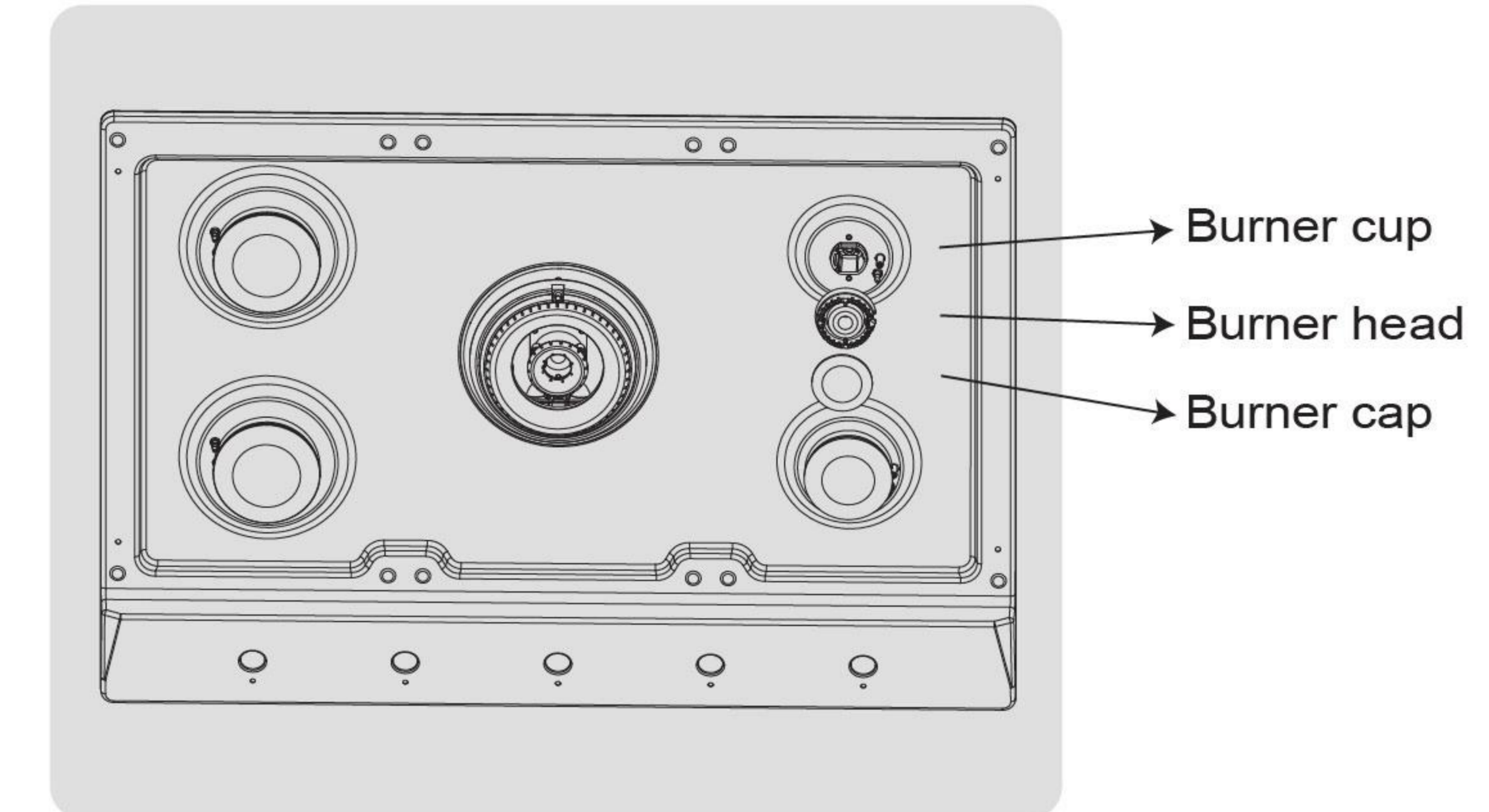


LP Conversion Instructions

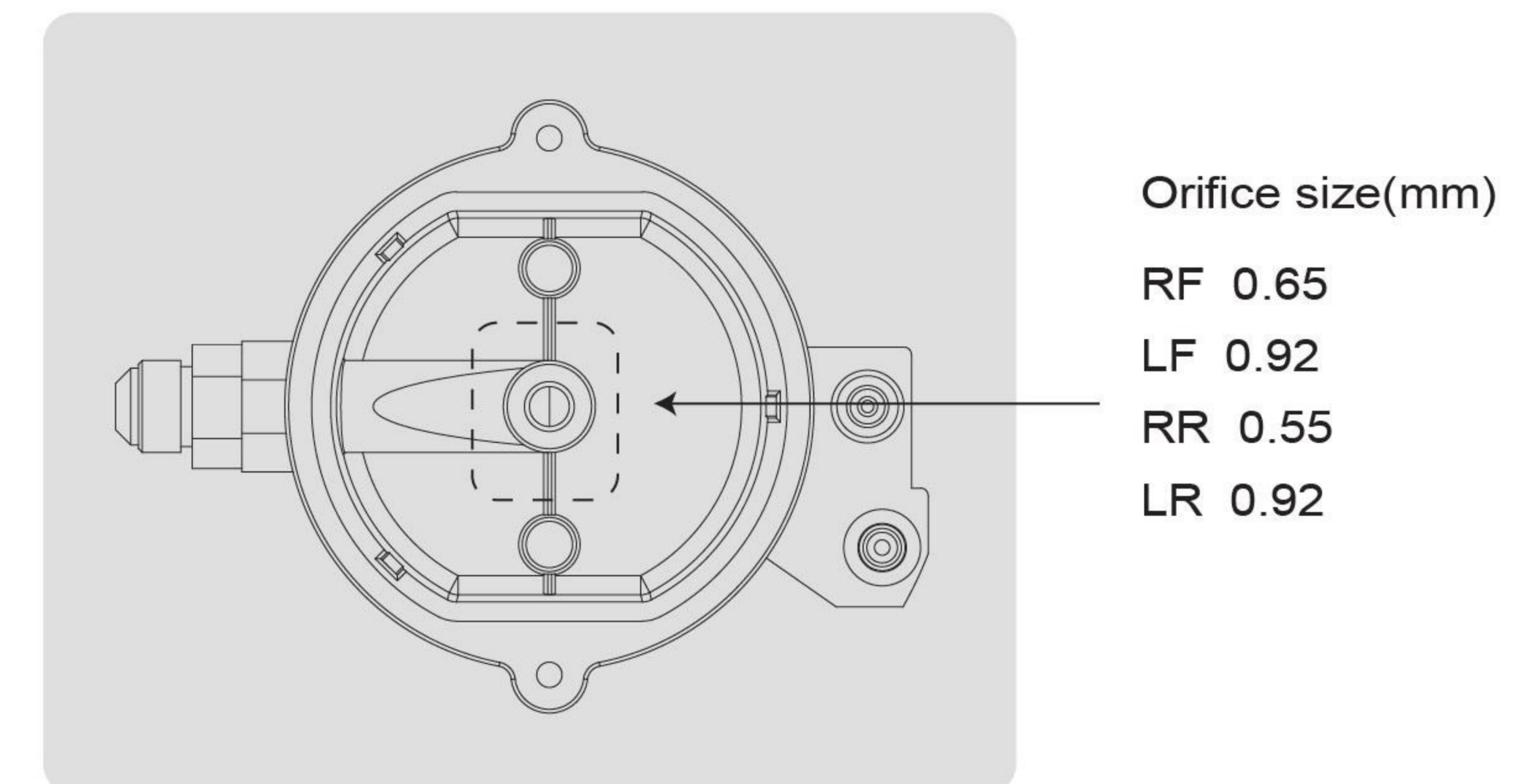
■ 2. Follow the instructions below to change the burner orifices from Natural Gas to LP

Save these orifices and note their positions for future conversions back to natural gas.

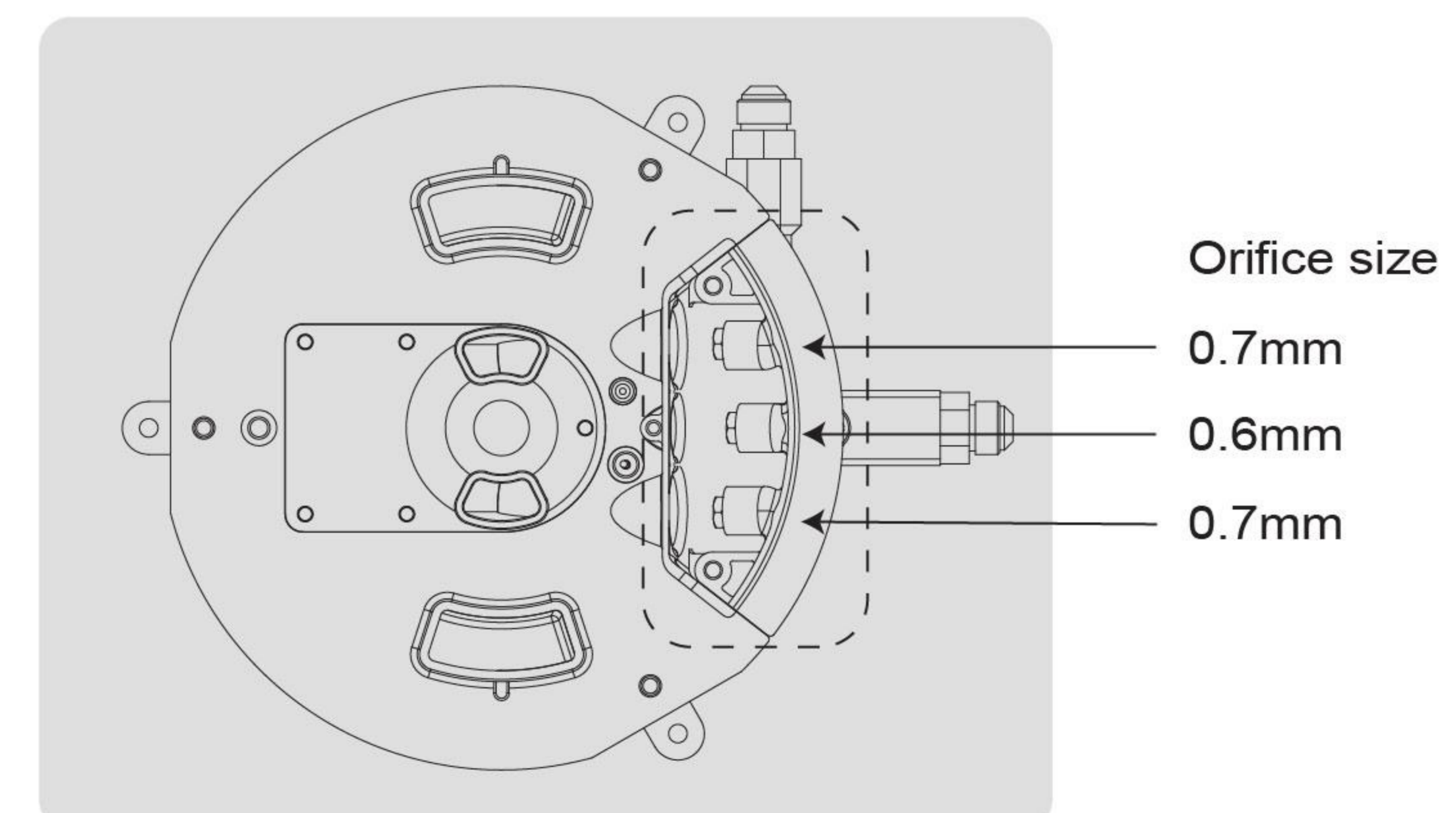
Step 1: Lift off the burner caps and burner heads from the cooktop burner manifold cups.



Step 2: Using a 9/32" or 7mm nut driver, remove the burner orifice from the bottom of the 13000BTU/6000BTU/3000BTU burner manifold cup. And replace with the LP burner nozzles, then screw up clockwise.

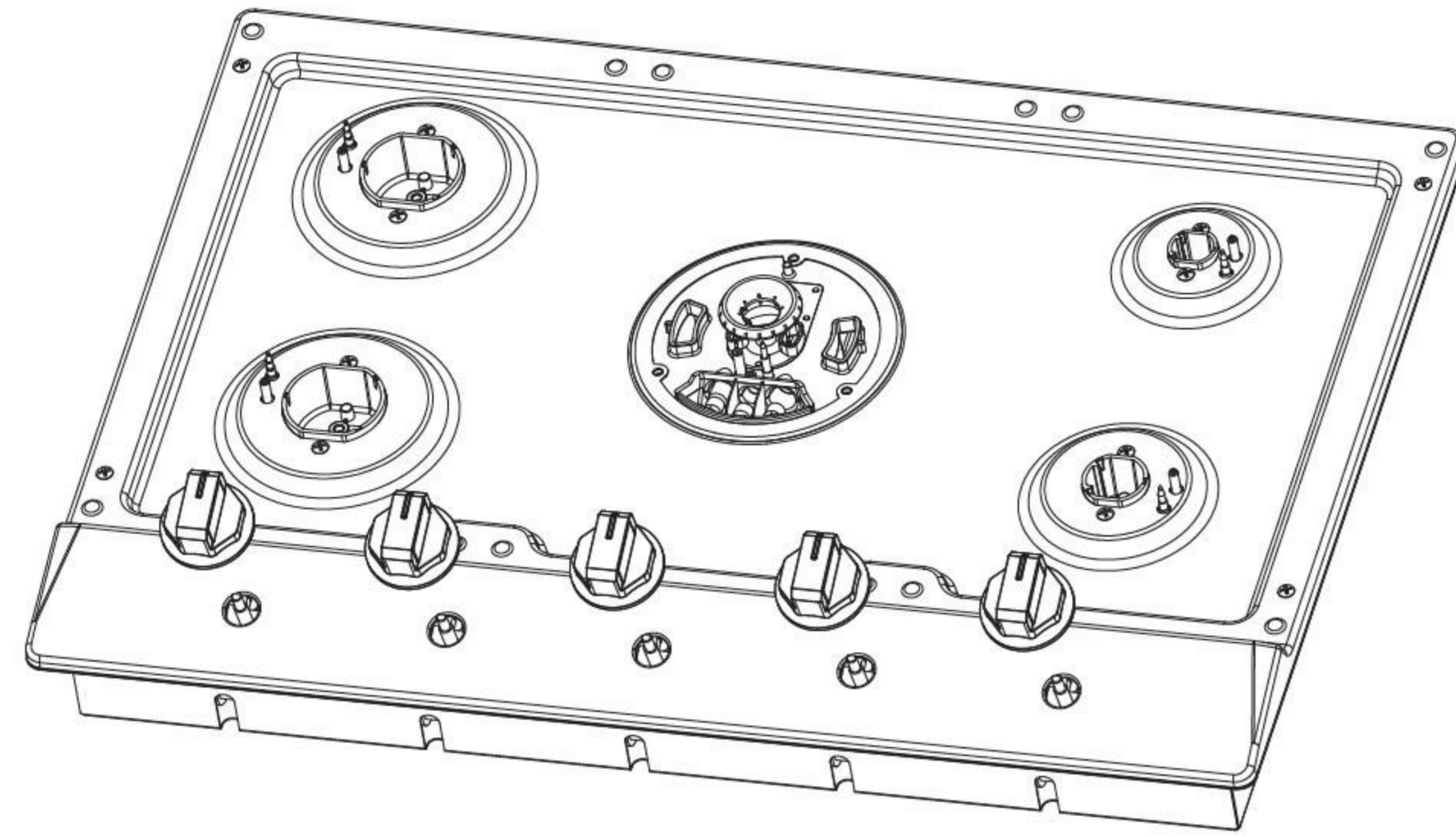


Step 3: Using Phillips screwdriver take off the bracket, then using a 9/32" or 7mm open-end wrench, remove the burner orifice from the bottom of center burner manifold cup. And replace the LP burner nozzles.



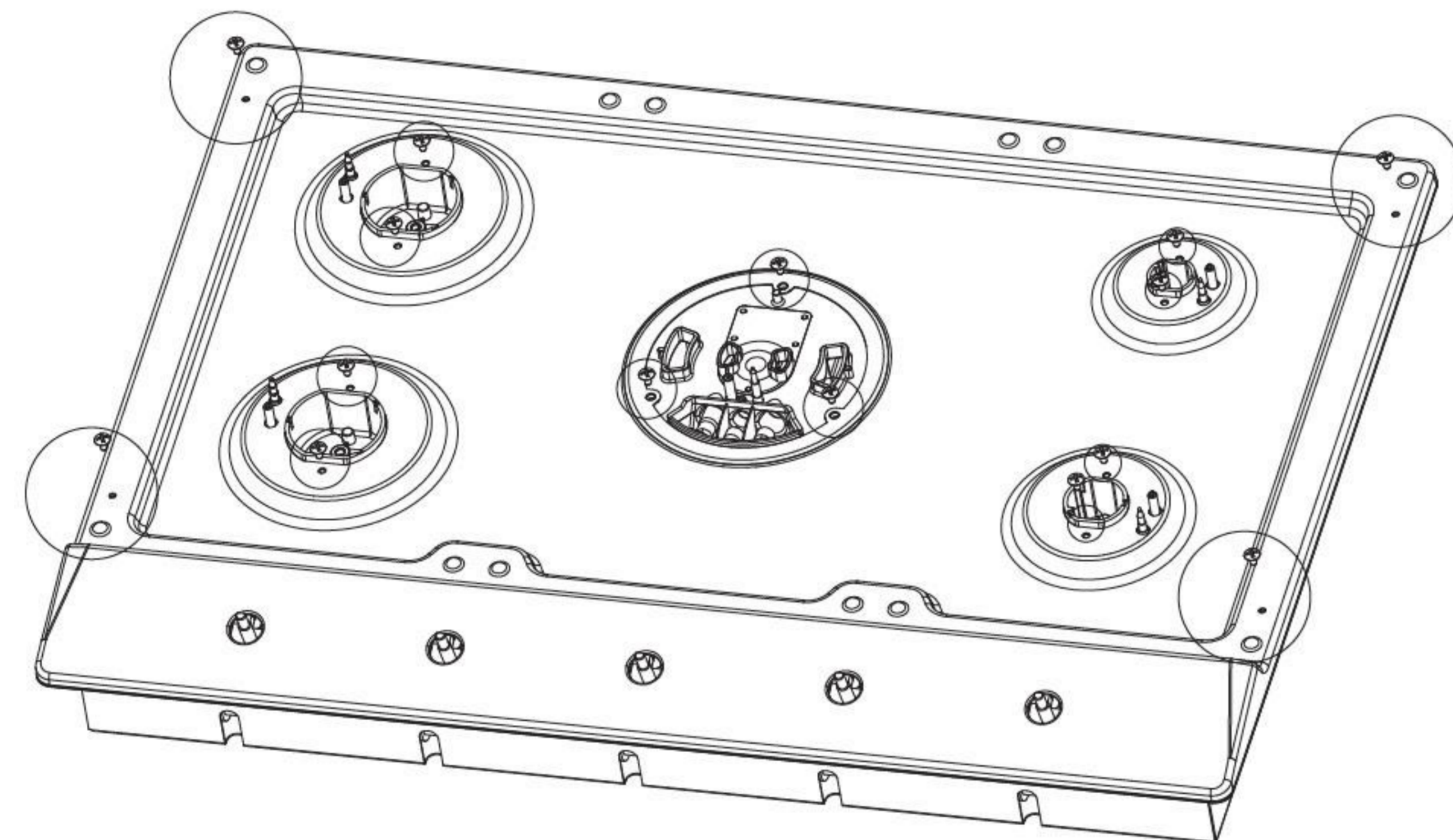
LP Conversion Instructions

Step 4: Take off all the knobs.

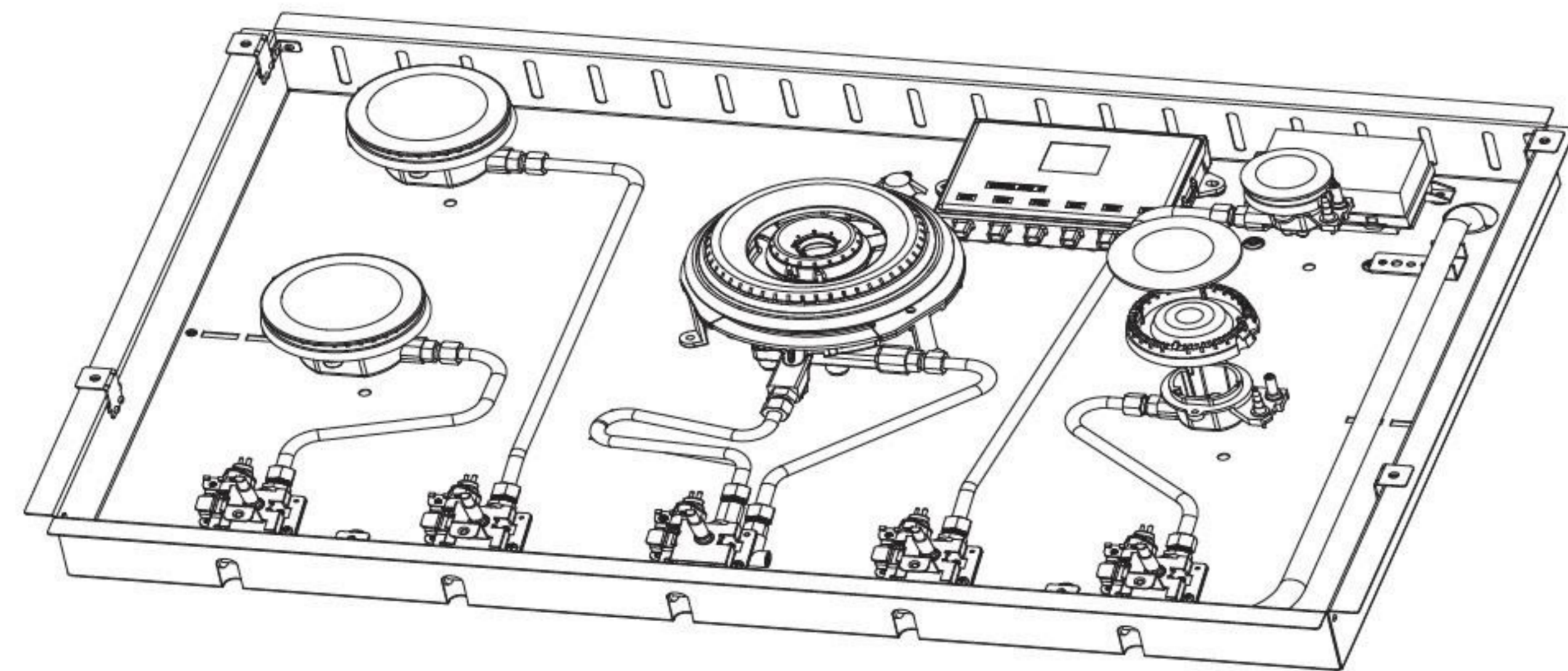


Step 5: Disassemble the panel

Using Phillips screwdriver unscrews the 15 panel screws, then lift off the panel.



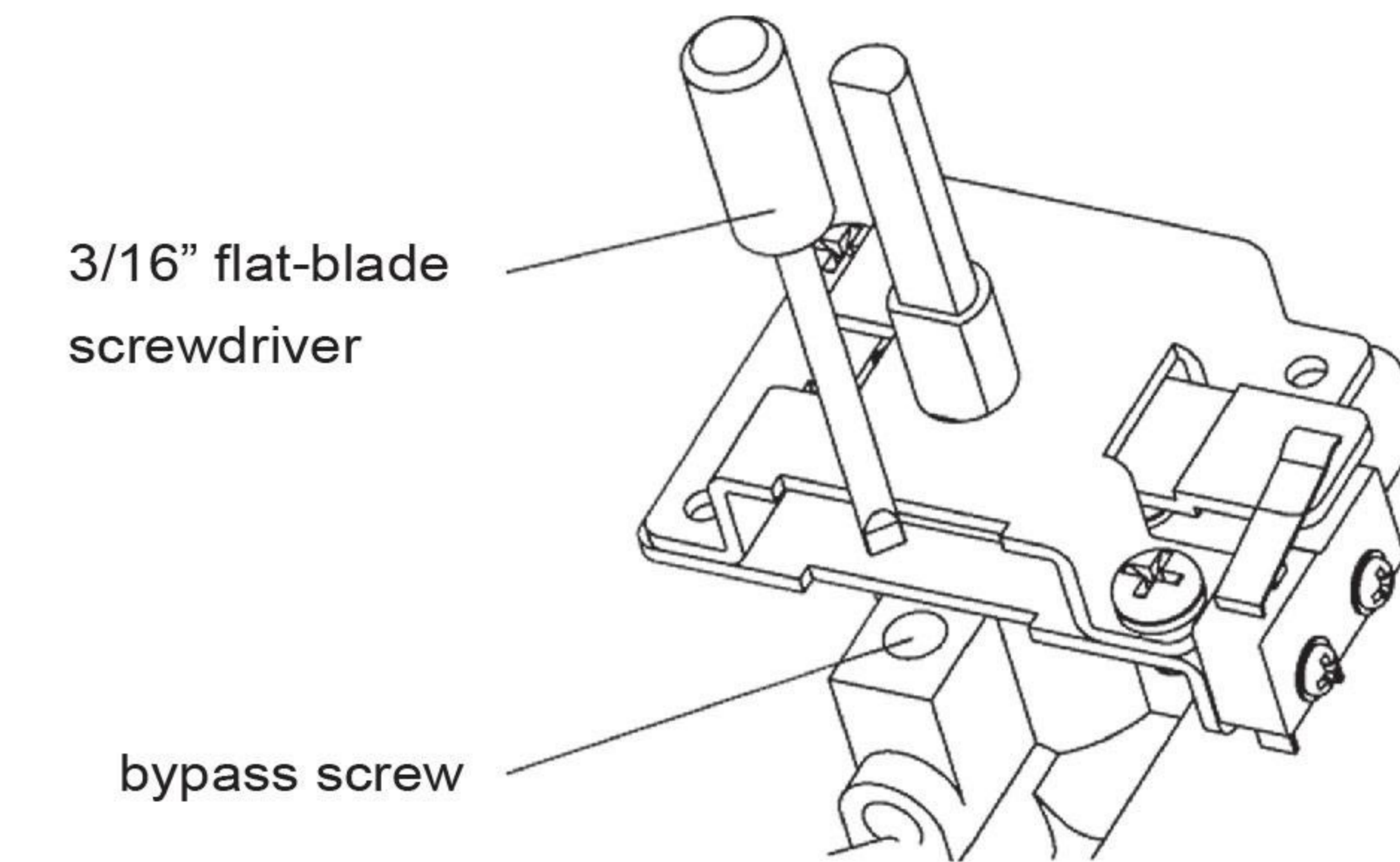
Step 6: Put the burner heads and burner caps into burner manifold cup.



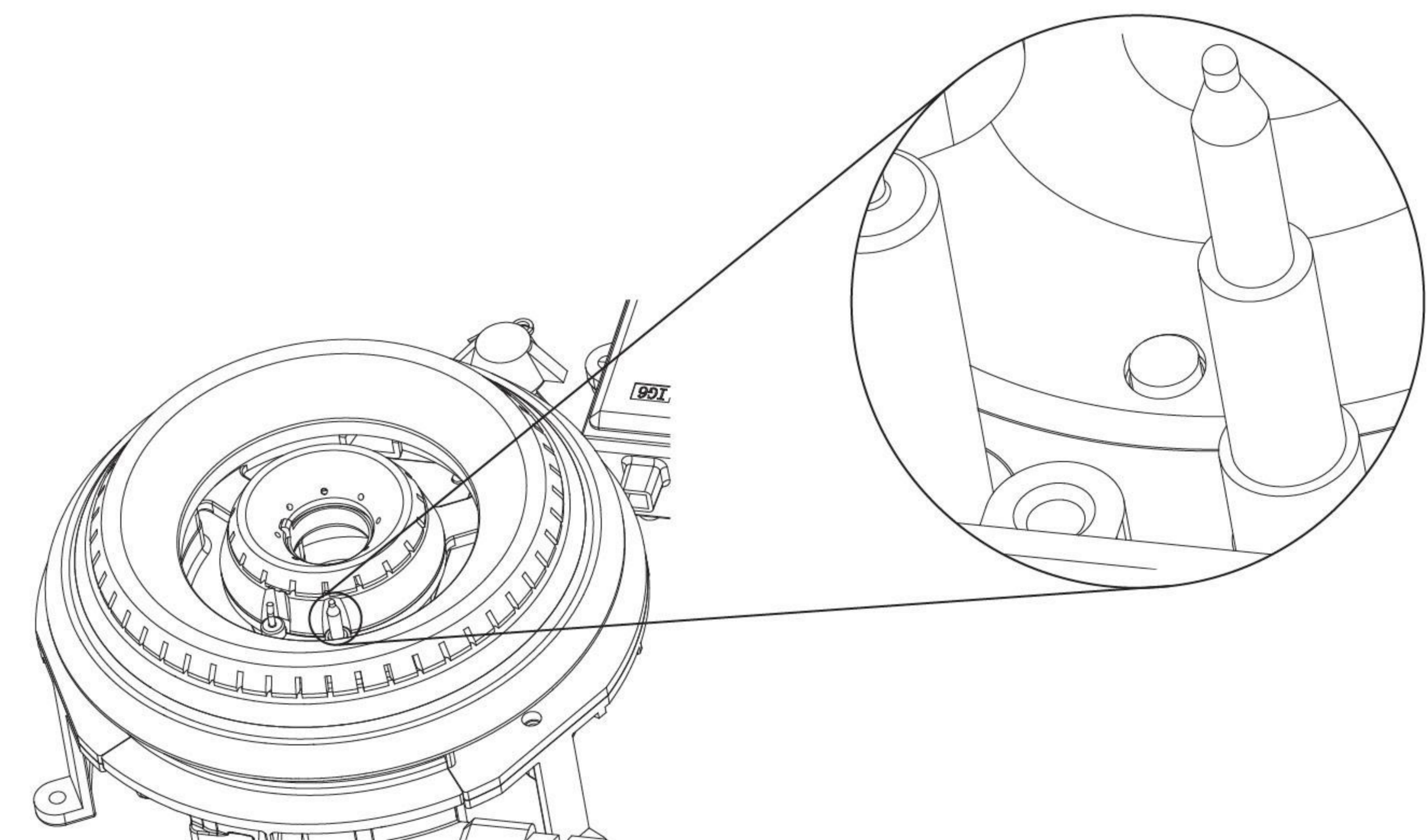
LP Conversion Instructions

Step 7: Adjust bypass screw

Put the knobs back to the cooktop, open the gas shut-off valve, and try ignition. Turn the knob into small flame(270°), then use a 3/16" flat-blade screwdriver to adjust the bypass screws clockwise. Make sure that the flame is small enough but will not go out within 1 minute (flame reach the top of the thermocouple). If the flame goes out, then adjust the bypass screws counterclockwise and repeat the test. Use same way to adjust bypass screw for 5 burners.



Thermocouple



Step 8: Put the cooktop panel, burner heads, burner caps, knobs, and grate back into place correctly.

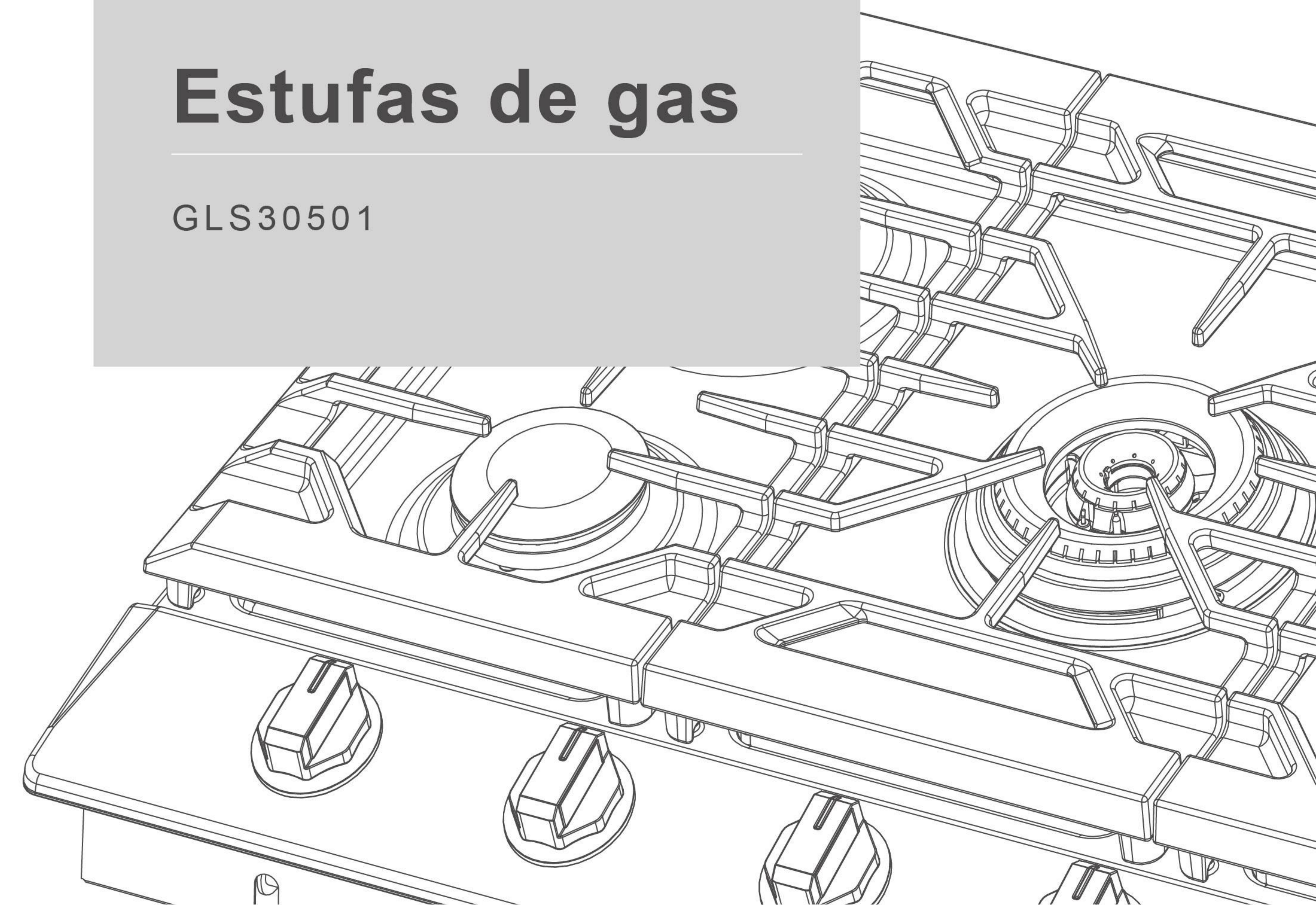
FOTILE

Manual de instalación

Lea todas las instrucciones
antes de usar este aparato

Estufas de gas

GLS30501



Se ha hecho todo lo posible para garantizar que la información proporcionada en este manual sea correcta en el momento de la impresión, sin embargo, debido a la mejora continua del producto, FOTILE se reserva el derecho de realizar cambios en los productos y datos técnicos sin previo aviso.

Ningbo Fotile Utensilios de cocina Co., Ltd.
No. 218, Binhai 2nd Road, nuevo distrito de la bahía de Hangzhou,
ciudad de Cixi, provincia de Zhejiang (China)
Sitio web: WWW.FOTILEGLOBAL.COM

Contenido

Información Importante de Seguridad - - -	2
Lista de embalaje y herramientas de instalación - - - - -	6
Inspección antes de la instalación - - - -	7
Dimensiones del producto - - - - -	7
Requisitos del entorno de instalación - - - - -	8
Requerimientos de instalación - - - - -	9
Instrucciones de instalación - - - - -	11
Instalación de la estufa - - - - -	11
Conexión al suministro de gas - - - - -	12
Conexiones eléctricas - - - - -	13
Gura de montaje de hornilla instalación del soporte de la olla - - - - -	13
Verifique el encendido y la calidad de la llama - - -	17
Instrucciones de conversión de gas licuado de petróleo - - - - -	18

Información Importante de Seguridad

Lea todas las instrucciones detenidamente antes de usar este aparato. Guarde este manual. No lo pierdas.

Su seguridad y la seguridad de los demás son muy importantes.

Hemos proporcionado mucha información importante de seguridad en este manual y en su electrodoméstico. Asegúrese de leer y seguir toda la información de seguridad.



Esta es una señal de advertencia de seguridad. Este letrero le recuerda el peligro potencial de causar víctimas. Toda la información de seguridad seguirá las señales de advertencia de seguridad, incluidas las palabras "PELIGRO" o "ADVERTENCIA". Los significados de estas palabras son los siguientes:



PELIGRO

Siga estrictamente las instrucciones de uso, de lo contrario, puede enfrentar peligro inmediato para la vida o lesiones graves.



ADVERTENCIA

Siga estrictamente las instrucciones de uso, de lo contrario, puede enfrentar peligro para la vida o lesiones graves.

La información de seguridad mencionará los riesgos potenciales, cómo reducir la posibilidad de lesiones y las posibles consecuencias de no seguir las instrucciones.



ADVERTENCIA

Siga estrictamente la información de este manual, de lo contrario, podría provocar un incendio o una explosión, lo que provocaría la pérdida de propiedad, lesiones personales o peligro para la vida.

- No almacene ni use gasolina u otros gases y líquidos inflamables cerca de este equipo u otro equipo.
- QUÉ HACER SI HUELE A GAS:
 - No encienda ningún equipo.
 - No toque ningún interruptor eléctrico
 - No use el teléfono en su edificio.
 - Use el teléfono de su vecino para llamar a su proveedor de gas de inmediato. Siga las indicaciones del proveedor de gas.
 - Si no puede contactar al proveedor de gas, llame al departamento de bomberos.
- La instalación y el mantenimiento deben ser realizados por instaladores calificados, organizaciones de mantenimiento o proveedores de gas.

⚠️ ADVERTENCIA

Las fugas de gas no se pueden detectar con precisión solo por el olor. Los proveedores de gas recomiendan que usted use un detector de gas aprobado por UL o CSA. Póngase en contacto con su proveedor de gas para obtener más información.

⚠️ ADVERTENCIA

Cuando use este aparato para cocinar, no lo deje desatendido.

- Respete estrictamente esta declaración de advertencia, de lo contrario, podría provocar un incendio o una explosión, lo que provocaría la pérdida de propiedad, lesiones personales o peligro para la vida.
- En caso de incendio accidental, manténgase alejado de este equipo y llame al departamento de bomberos de inmediato. No intente extinguir fuegos de petróleo con agua.

IMPORTANTE

No instale un sistema de ventilación que expulse aire hacia la estufa de gas. Este tipo de sistema de ventilación puede causar problemas de ignición y combustión de la estufa de gas, lo que puede provocar lesiones personales o accidentes.

ADVERTENCIA DE LA PROPUESTA 65 DEL ESTADO DE CALIFORNIA

⚠️ ADVERTENCIA

Este producto contiene uno o más productos químicos que el Estado de California sabe que causan cáncer, defectos de nacimiento u otros daños reproductivos. Las estufas de gas pueden causar una exposición de bajo nivel a algunas de estas sustancias, incluidos el benceno, el monóxido de carbono, el formaldehído y el hollín, que se producen principalmente por la combustión incompleta de gas natural o combustible de propano. Abrir ventanas o usar ventiladores o campanas de ventilación puede minimizar la exposición a tales sustancias.

ESTADO DE MASSACHUSETTS

En el estado de Massachusetts, se aplican las siguientes instrucciones de instalación:

- Las instalaciones y reparaciones deben ser realizadas por un contratista, plomero o instalador de gas calificado o con licencia calificado por el Estado de Massachusetts.
- Si usa una válvula de bola, debe ser del tipo de mango en T.
- Un conector de gas flexible, cuando se usa, no debe exceder 3 pies.

Precauciones de instalación

⚠️ ADVERTENCIA



Peligro de descarga eléctrica
El incumplimiento de las instrucciones puede causar descargas eléctricas, lesiones o la muerte.



Peligro de corte
Tenga cuidado, los bordes del panel son afilados. Si no se tiene precaución, se pueden causar lesiones o cortes.

■ Precauciones de seguridad importante

- Se prestará atención especial a los requisitos relevantes con respecto a la ventilación.
- Ponga esta información a disposición de la persona que instala el dispositivo, ya que podría reducir los costos de instalación.
- Este electrodoméstico debe ser instalado, conectado a electricidad y el suministro de gas solo por profesionales.
- La instalación debe cumplir con las normas locales de construcción y de las autoridades locales de gas y las regulaciones de electricidad.
- Si no instala el aparato correctamente, podría invalidar la garantía o el reclamo.
- Solo aplicable al gas natural o al gas licuado (la configuración de fábrica es para gas natural, para el uso de gas licuado se necesita ser convertido). En caso de duda, consulte a su proveedor local de gas.

■ Antes de instalar el dispositivo, asegúrese de que:

- El gas local y la presión son compatibles con este producto. Para obtener información sobre el gas compatible, consulte la placa de identificación del producto.
- Después de la instalación, la válvula del interruptor de gas debe ser fácilmente accesible y la válvula reductora de presión debe instalarse en la entrada de gas del producto.

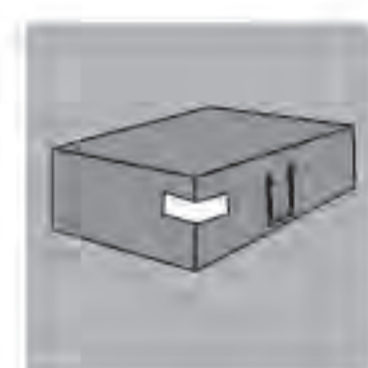
■ Cuando instale el dispositivo:

- No recomendamos el uso de un ventilador extractor de tiro descendente con este producto, ya que puede distorsionar el patrón de la llama, causando un calentamiento desigual y un rendimiento de cocción reducido.
- Solo los modelos equipados con el dispositivo de falla de llama se pueden instalar en barcos o vehículos recreativos, pero no pueden usarse como calentadores.
- No coloque materiales o productos inflamables sobre el producto. Cuando el producto esté trabajando, no rocíe aerosoles cerca.
- Si el producto aún no puede funcionar normalmente después de operar de acuerdo con este manual, comuníquese con el Servicio al Cliente de FOTILE: serviceusa@fotile.com o 1-888-315-0366.

INSTRUCCIONES PARA EL DESECHO DE PAQUETES-POLÍTICA DE MEDIO AMBIENTE

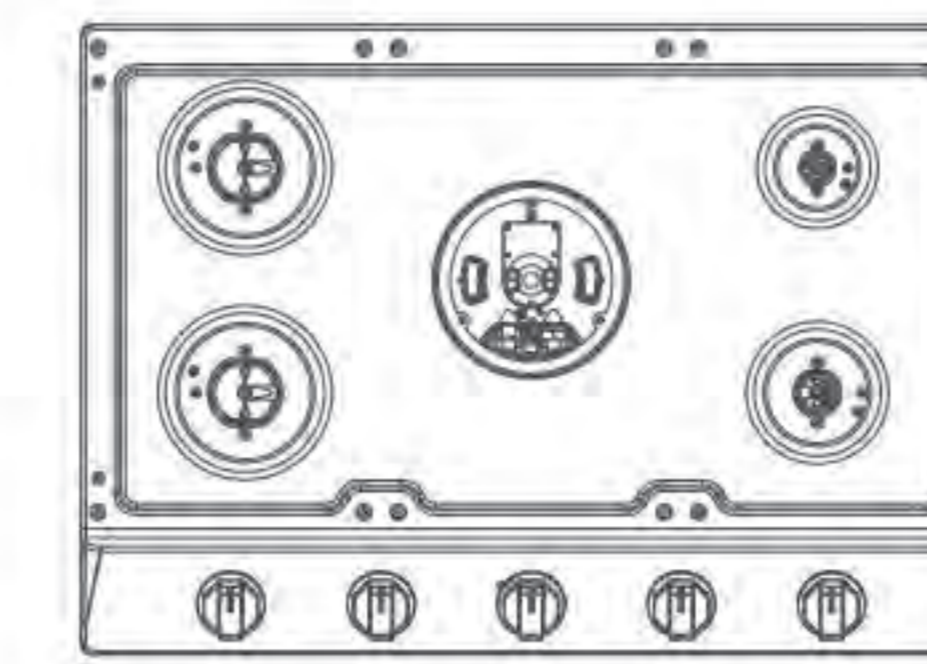
Nuestros productos solo se empaquetan con materiales ecológicos, no contaminantes y reciclables. Esperamos que manejes el embalaje correctamente. No deseches todo o parte del embalaje en ningún lado. Las piezas del embalaje, especialmente las bolsas de plástico, pueden causar un peligro de asfixia para los niños.

El producto que reemplazó también esperamos que lo maneje adecuadamente. Puede entregar el equipo reemplazado a la agencia local de reciclaje de equipos de desecho. El manejo adecuado puede recuperar efectivamente materiales valiosos.

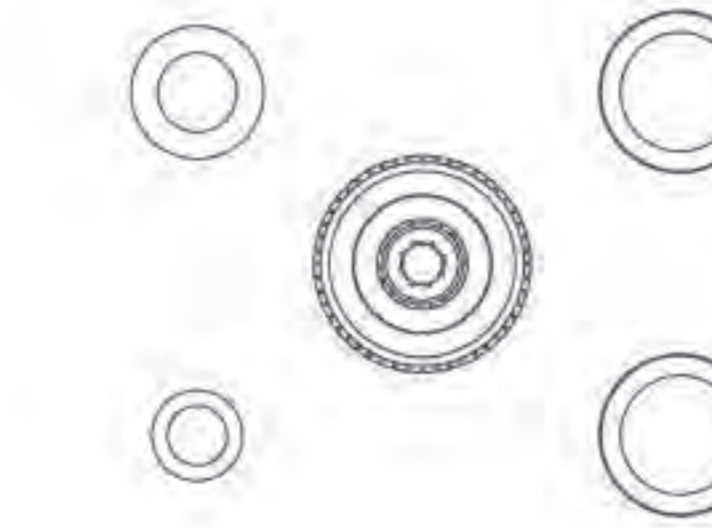


Nunca deje los residuos de embalaje desatendidos en la casa. Separe los materiales de embalaje de desecho por tipo y entréguelos al centro de procesamiento más cercano.

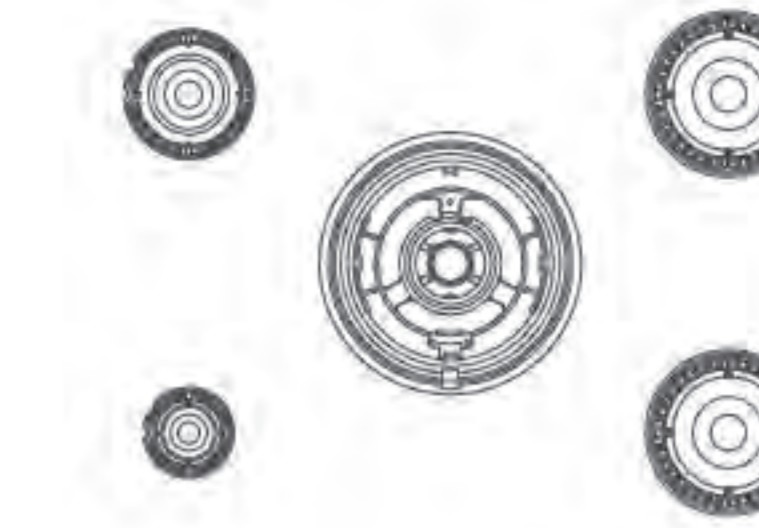
Lista de empaque



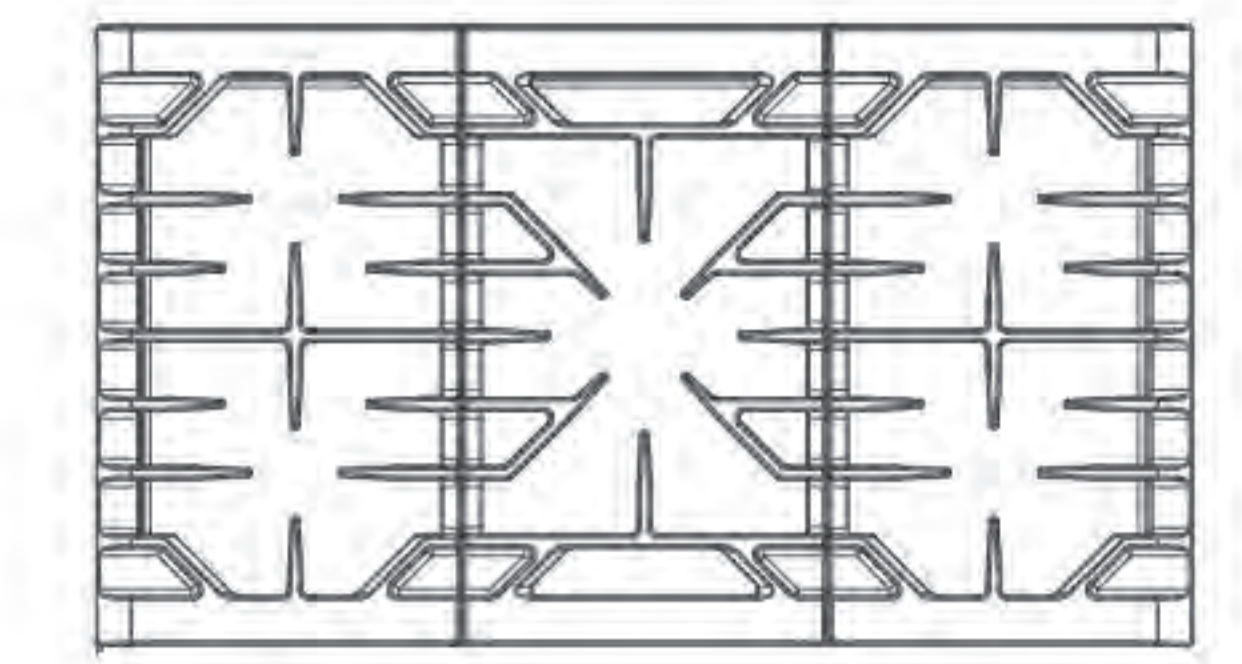
Estufa de gas (1)



Tapa de hornilla (6)



Cabeza de hornilla (5)



soporte de la olla (3)



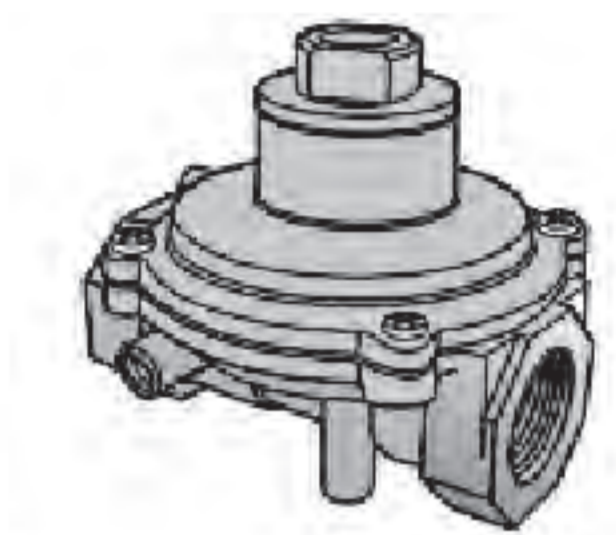
Manual de usuario (1)



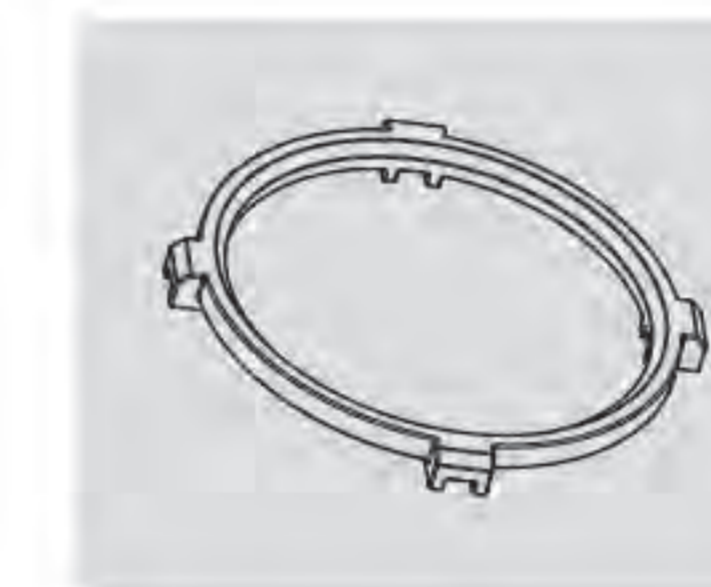
Manual de instalación (1)



Tarjeta de garantía (1)



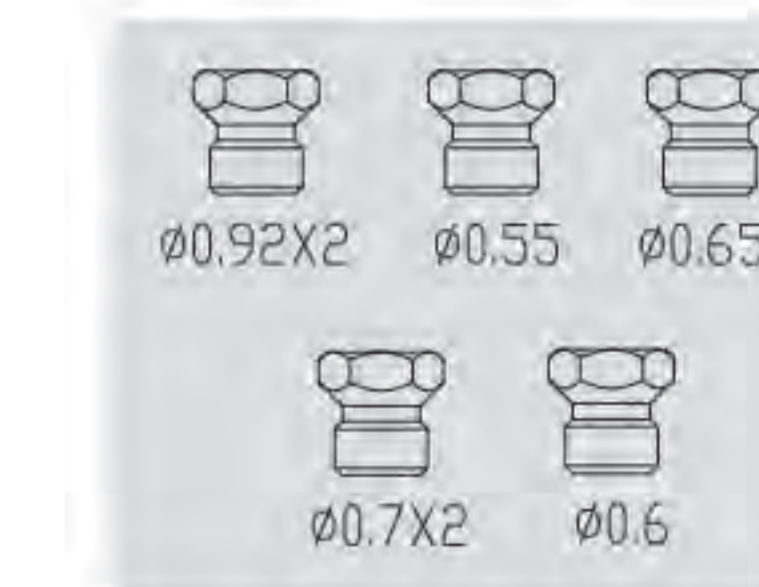
Regulador de presión (1)



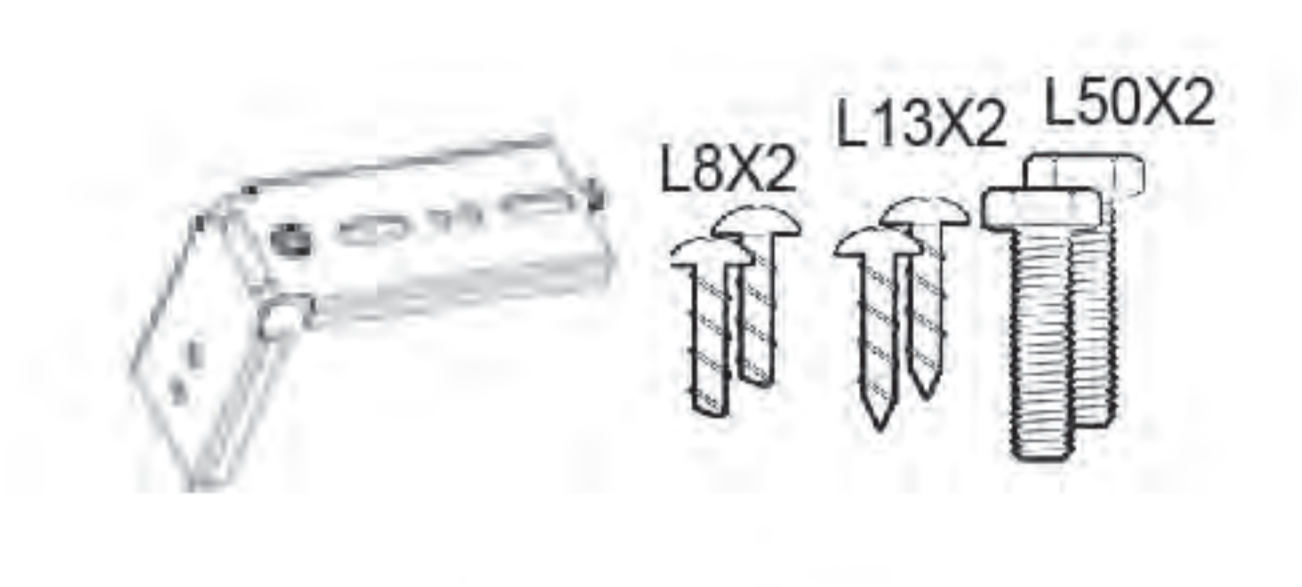
Rejillas del Wok (1)



Guía de montaje de hornilla(1)



Boquilla de gas licuado de petróleo (7)



Soporte de montaje en panel (2)
Tomillo (6)

Herramientas necesarias para la instalación.



Destornillador Phillips



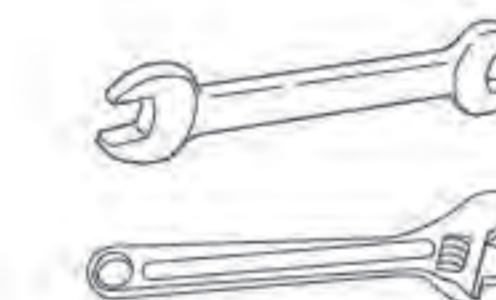
3/16" Destornillador ranurado



Lápiz y regla



Sierra de cuchillo



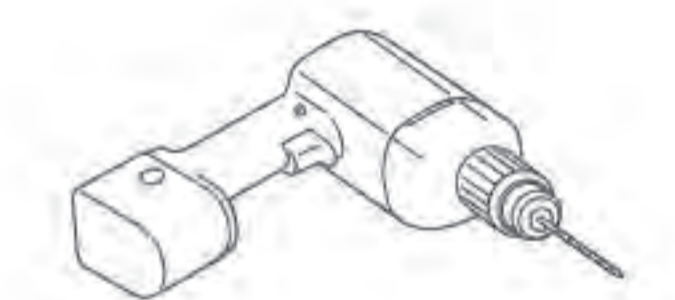
Llave de boca abierta o llave ajustable



Llave de tubo (2) (una de repuesto)



Lentes de seguridad



Broca de 1/8 de pulgada y taladro eléctrico o taladro manual

Herramientas que pueden ser necesarias

- Válvula de interruptor de gas
- Material profesional de sellado de tuberías de gas resistente a la acción del gas natural y el propano.
- Conector de metal flexible para electrodomésticos (3/8 NPT).
Se recomienda una longitud de 5 pies para facilitar la instalación, pero se aceptan otras longitudes. Nunca use un conector viejo cuando instale una estufa nueva.
- Adaptador de unión acampanada para la conexión a la línea de suministro de gas (3/4 pulgada o 1/2 NPT x 3/8 NPT).
- Adaptador de unión acampanada para la conexión al regulador de presión en la estufa (1/2 NPT x 3/8 NPT).
- Detector de fugas de líquido o agua jabonosa.

Inspección antes de la instalación

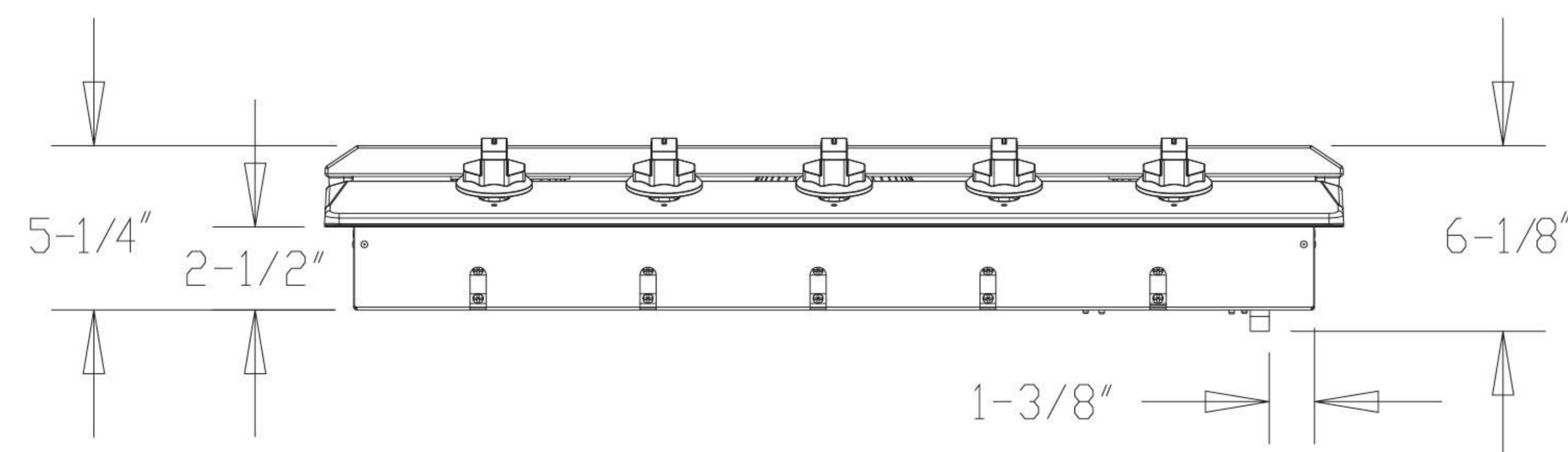
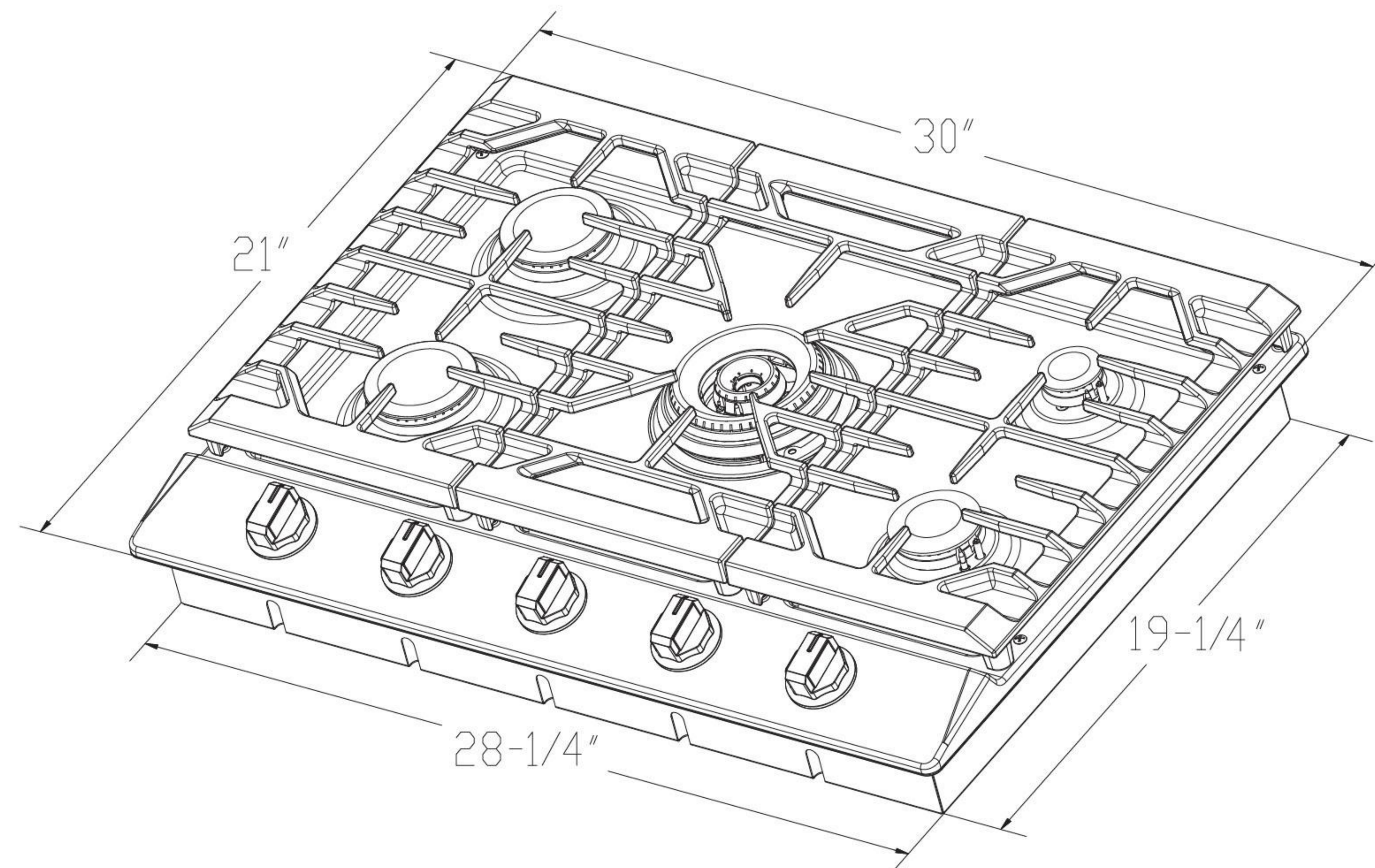
1. Retire los materiales de embalaje de la estufa.
2. Asegúrese de haber recibido todas las piezas incluidas en la lista de empaque.
3. Compruebe que la estufa esté en buenas condiciones sin daños.
4. Compruebe las dimensiones y los requisitos del entorno de instalación (que se muestran a continuación), asegúrese de que el interior del gabinete y la estufa no interfieran entre sí.

Si su producto se dañó durante el transporte o le faltan piezas, comuníquese con su distribuidor local o con el Servicio Fotile en serviceusa@fotile.com y 1-888-315-0366.

Dimensiones del producto

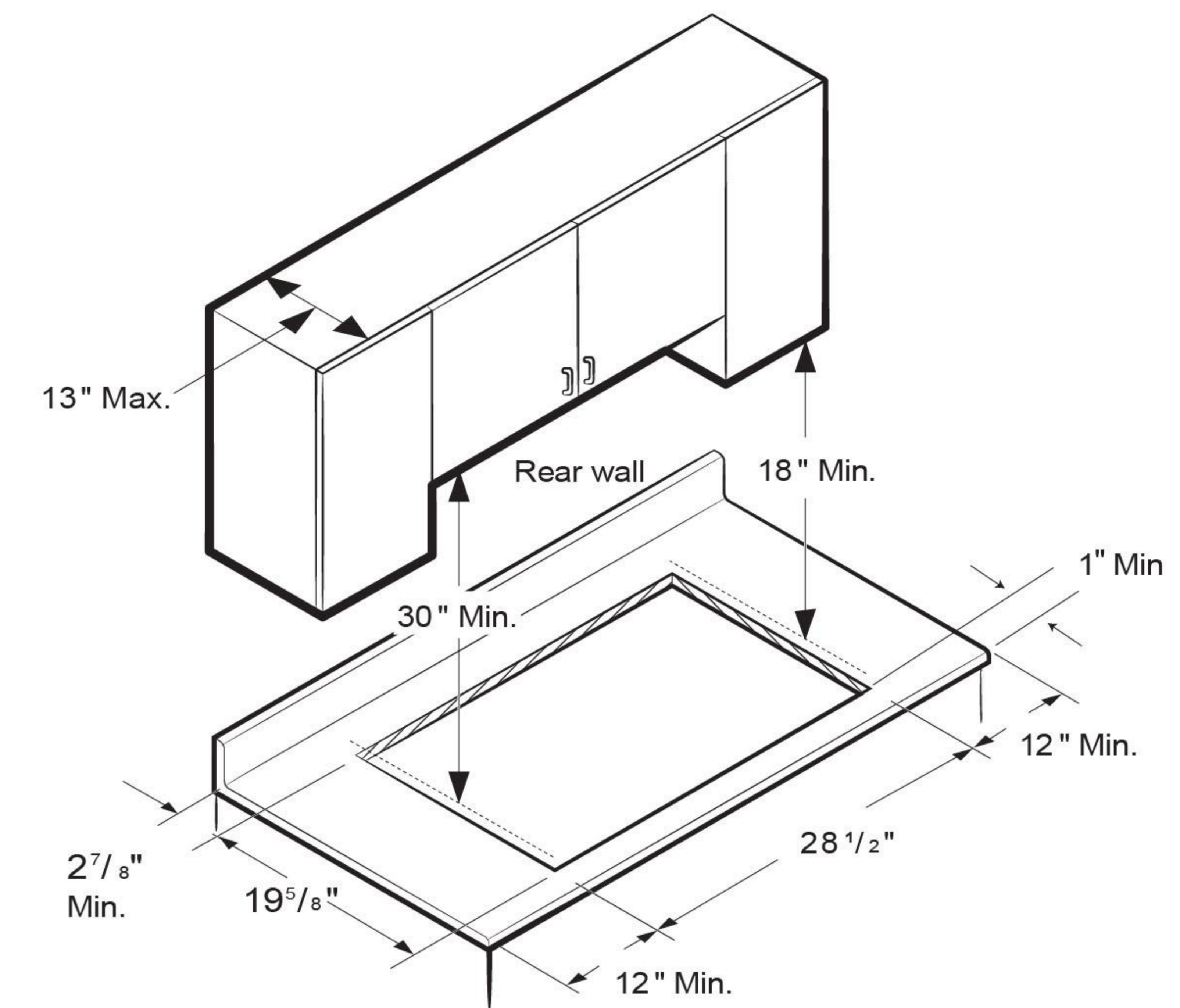
Dimensiones del producto: (W x D x H) (pulgada):
30 x 21 x 5 1/4

Dimensiones del agujero: (W x D) (pulgada):
(Min 28 1/2 - Max 29) x (Min 19 5/8 - Max 20 1/8)



Inspección antes de la instalación

Requisitos del entorno de instalación



Sobre la estufa

La distancia de seguridad mínima proporcionada por el fabricante de la campana extractora debe mantenerse entre la estufa incorporada y la campana extractora que se encuentra sobre ella. Para conocer las dimensiones de seguridad relacionadas, consulte las instrucciones de instalación de la campana extractora. Si el fabricante de la campana extractora no especifica o hay objetos inflamables instalados encima de la estufa (como armarios, perchas, etc.), la distancia mínima de seguridad es de 30 pulgadas (760 mm).

El espacio vertical mínimo desde la parte superior del producto hasta el gabinete lateral es de 18 pulgadas, la distancia horizontal mínima desde la parte posterior del producto hasta la pared vertical es de 2 7/8 pulgadas, y la distancia horizontal mínima desde el lado del producto hasta los combustibles en los lados izquierdo y derecho es de 12 pulgadas, La distancia horizontal mínima desde el borde frontal del gabinete al lado frontal del producto es de 1 pulgada.

Si hay varios electrodomésticos debajo de la campana extractora y sus distancias máximas de seguridad no son las mismas, observe siempre la distancia más grande.

Debajo de la estufa

Todos los modelos de estufas requieren un espacio libre de 7/16 pulgadas desde el fondo hasta los materiales combustibles.

Requerimientos de instalación

■ Requerimientos de suministro de gas

⚠ ADVERTENCIA



Peligro de explosión

Use la nueva línea de suministro de gas aprobada por CSA / ETL.
Instale la válvula del interruptor de gas.
Apriete bien todas las conexiones de gas.
Si está conectado a gas licuado de petróleo, haga que personal calificado se asegure de que la presión de gas no exceda las 14 pulgadas (36 cm) de la columna de agua.
Deje que los profesionales operen, de lo contrario puede causar la muerte, explosión o incendio.
Los profesionales incluyen:
Personal de calefacción con licencia, personal autorizado de la compañía de gas y personal de mantenimiento autorizado.

⚠ ADVERTENCIA

Independientemente de si se utiliza gas natural o gas licuado de petróleo, la válvula reductora de presión debe instalarse en la entrada de aire.

Proporcionar un suministro de gas adecuado.

La presión de gas adecuada para que funcione la estufa es: columna de agua de 4 pulgadas (10 mm) de gas natural o columna de agua de 10 pulgadas (25 cm) de gas licuado de petróleo.
La estufa puede usar gas natural o gas licuado. Pero la producción está configurada para gas natural, si necesita usar gas licuado, solicite a los profesionales que lo conviertan. No use otro tipo de gas.
Para que la estufa funcione normalmente, la presión de suministro de gas natural debe estar entre 4 pulgadas y 10 pulgadas (10 cm y 25 cm) de columna de agua, y la presión de suministro de gas licuado debe estar entre 10 pulgadas y 13 pulgadas (25 cm y 33 cm) de columna de agua.
Al verificar si la válvula reguladora de presión funciona normalmente, la presión de entrada debe ser al menos 1 pulgada (2.5 cm) mayor que la presión de trabajo (múltiple) como se indica.

Requerimientos de instalación

■ Requisito eléctrico

⚠ ADVERTENCIA



Peligro de descarga eléctrica

Enchúfelo a una toma de corriente con conexión a tierra de 3 terminales.
No quite el terminal de tierra.
No use un adaptador.
No utilice un cable de extensión.
El incumplimiento de estas instrucciones puede provocar la muerte, incendio o descarga eléctrica.

La toma de corriente se encuentra al menos a 12 pulgadas (30.5 cm) debajo de la encimera del gabinete.

El producto es adecuado para corriente alterna de 120V, 60Hz.

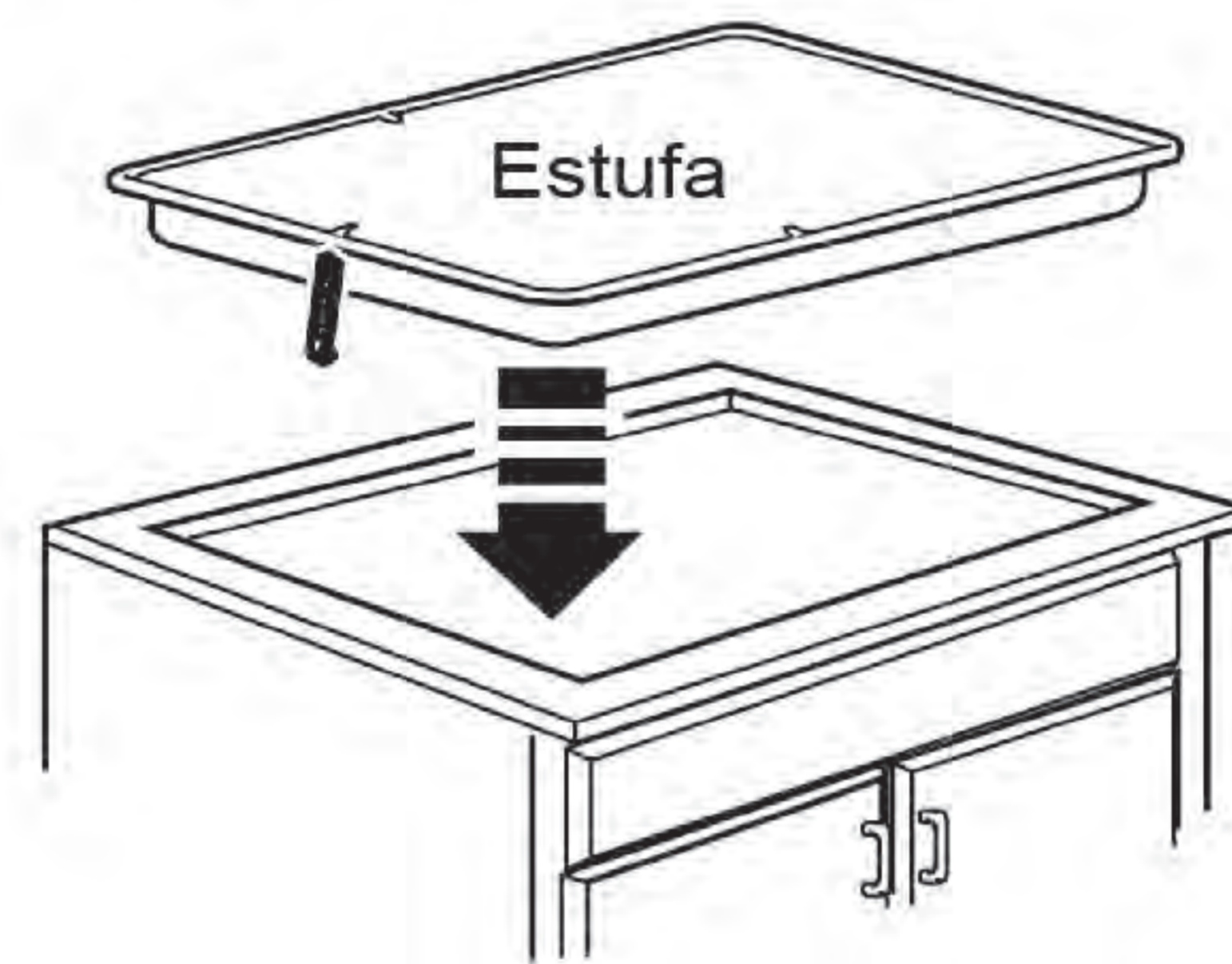
El cable eléctrico de la estufa está equipado con un conductor de conexión a tierra. Se debe usar un enchufe de tres clavijas y el enchufe se debe instalar y conectar a tierra correctamente de acuerdo con las leyes y regulaciones locales. Si el producto falla o está dañado, una conexión a tierra adecuada puede reducir el riesgo de descarga eléctrica.

⚠ ADVERTENCIA

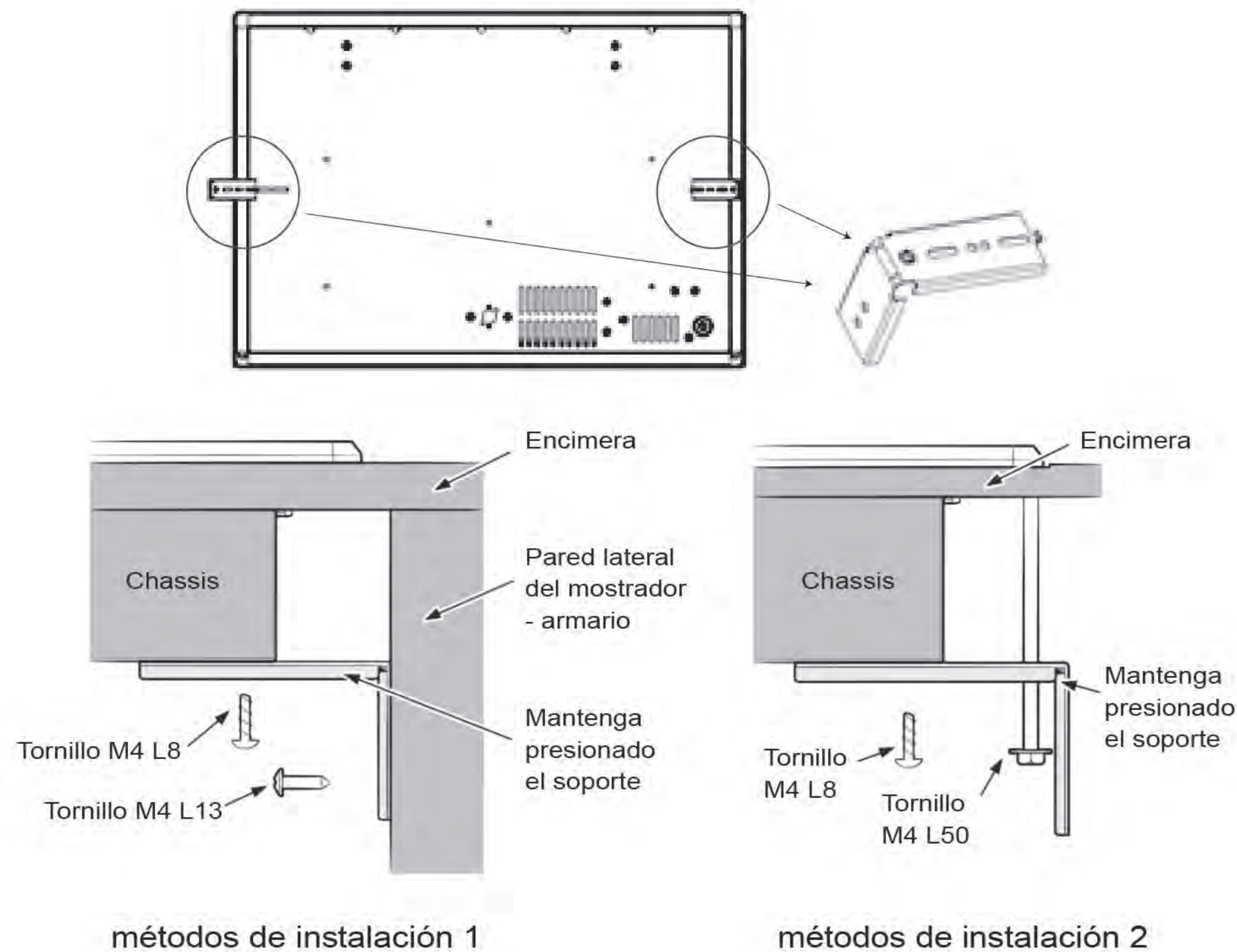
Antes de instalar u operar la estufa, lea atentamente las instrucciones de seguridad importantes anteriores y siga estrictamente los pasos a continuación para instalarla. La instalación, reparación o mantenimiento incorrectos pueden causar lesiones personales o daños a la propiedad.

■ Paso 1: Instalación de la estufa

- Confirme la posición de la válvula del interruptor de gas y la toma de corriente debajo del gabinete.
- Inserte la estufa centrada en la abertura del recorte y asegúrese de que el borde frontal de la encimera esté paralelo a la estufa.
- Haga una verificación final de que se cumplan todos los requisitos del entorno de instalación.
- * Tenga cuidado de que la aguja de encendido o termopar no se dañe durante la instalación.



- Como se muestra en la figura, use 2 soportes de montaje en panel para fijar la estufa al gabinete.



■ Paso 2: Conexión al suministro de gas

⚠ ADVERTENCIA

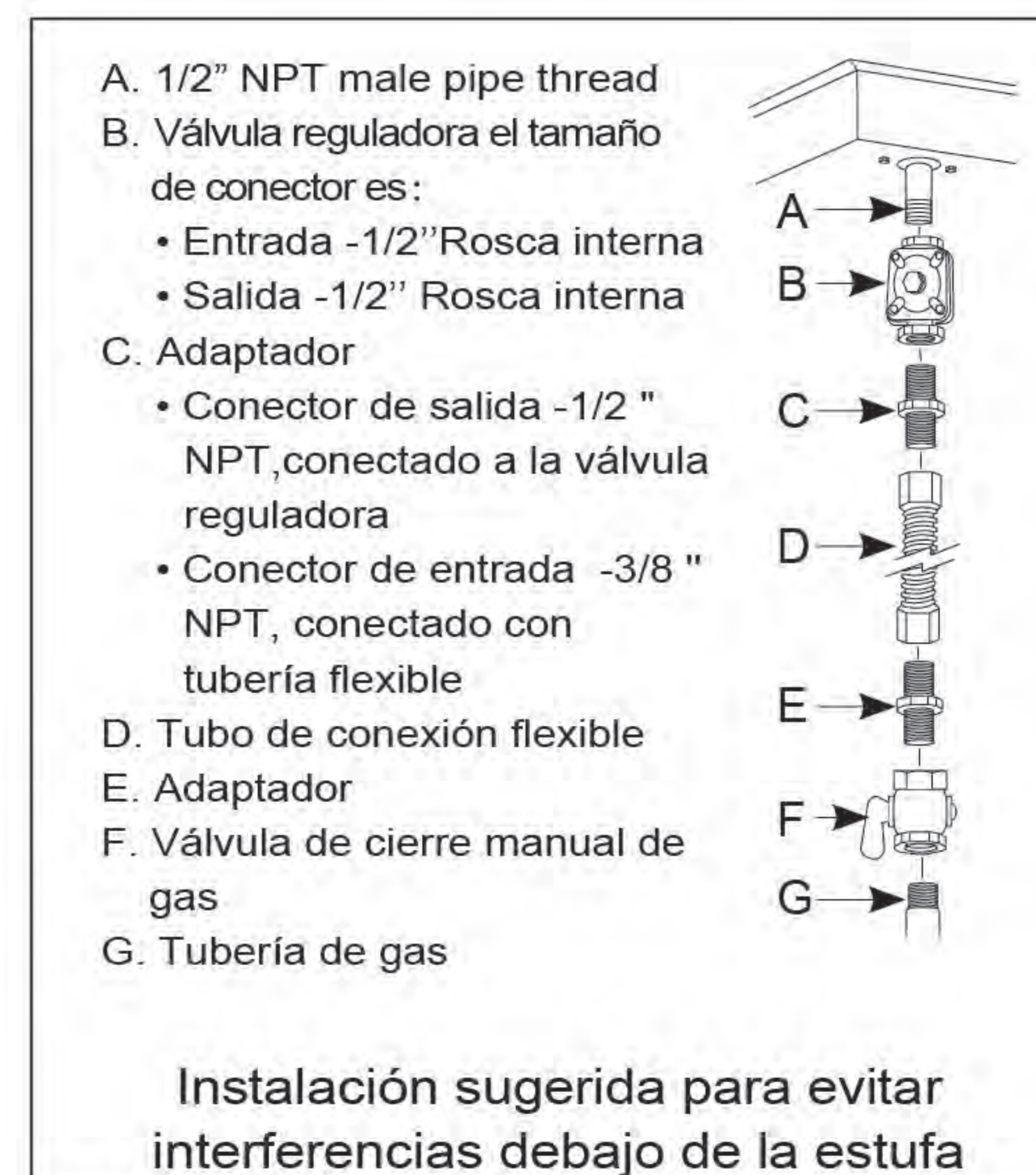
Cierre la válvula del interruptor de gas antes de desconectar la estufa vieja y déjela apagada hasta que se haya completado la nueva conexión.

Debido a que las tuberías rígidas restringen el movimiento de la estufa, se recomienda el uso de un conector de electrodomésticos de metal flexible certificado por CSA International a menos que los códigos locales requieran una conexión por tubería rígida.

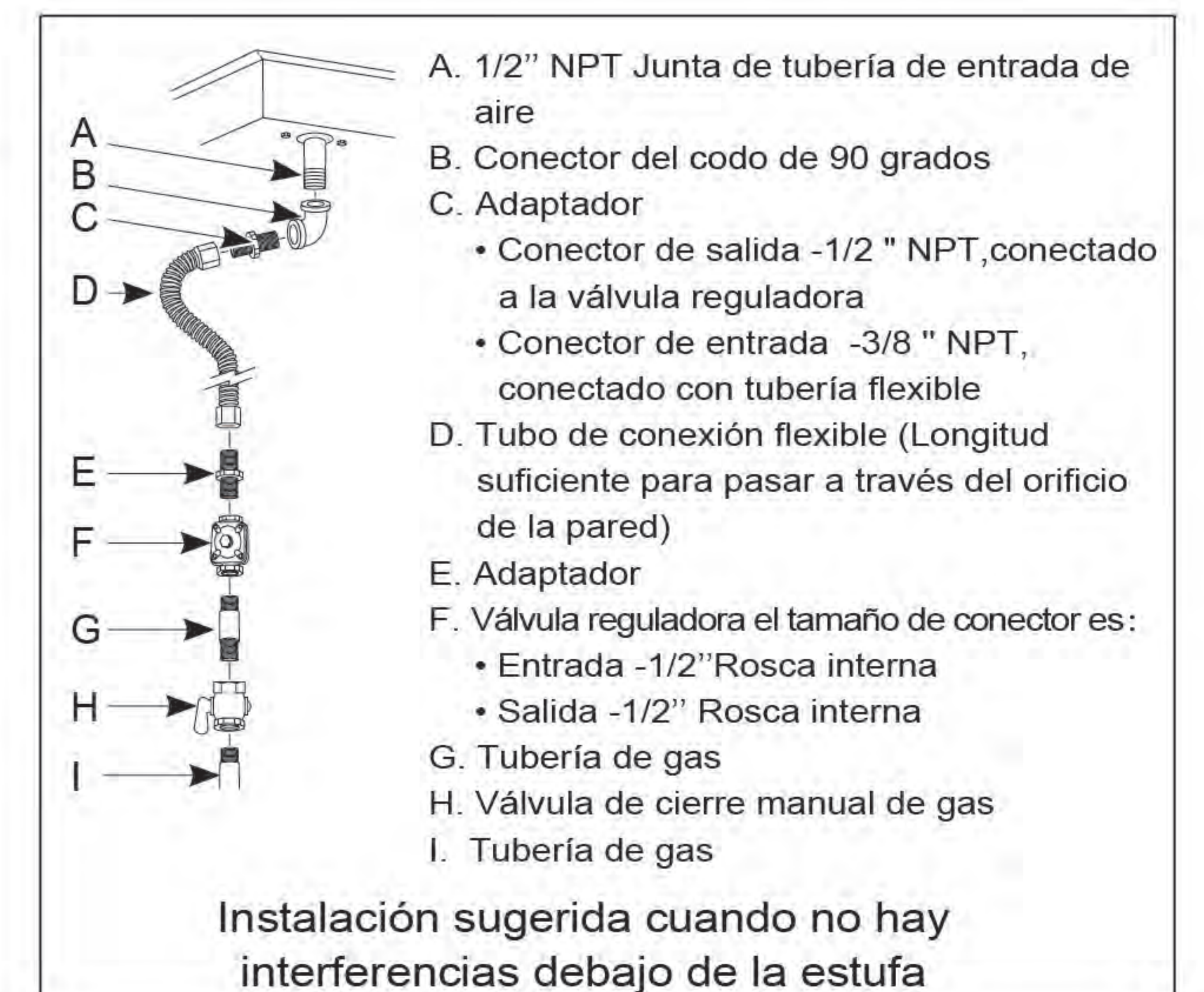
Nunca use un conector viejo cuando instale una estufa nueva. Si se utiliza el método de tubería dura, debe alinear cuidadosamente la tubería, la estufa no se puede mover después de realizar la conexión, apriete todos los adaptadores para evitar fugas de aire de la estufa o la línea de suministro.

Compruebe si hay fugas de gas: para evitar la muerte, lesiones personales, explosiones y / o incendios, no use llamas para comprobar si hay fugas de gas. Cuando utilice una presión de prueba mayor a 1/2 psig para probar el sistema de suministro de gas residencial, desconecte la estufa y la válvula del interruptor de gas de la línea de suministro de gas. Cuando use 1/2 psig o una presión de prueba más baja para probar el sistema de suministro de gas, simplemente cierre la válvula del interruptor de gas.

- Las estufas de gas FOTILE se fabrican y envían para usarse con gas natural. Si desea usar gas licuado de petróleo, conviértalo antes de usarlo.
- Para evitar fugas de gas, utilice UN material de sellado profesional para tuberías de gas.
- Conecte la válvula reguladora de gas (incluida en la estufa) a la entrada de la junta del tubo de la estufa. La instalación es compacta y el regulador se puede instalar en cualquier lugar entre la válvula de cierre y la estufa incorporada aguas arriba de la tubería corta. Para obtener el mejor rendimiento, el regulador se puede colocar lo más cerca posible de la entrada de gas de la estufa incorporada para minimizar la pérdida de presión de gas.
- Después de completar todas las conexiones, asegúrese de que todas las perillas de la estufa estén en la posición cerrada y abra la válvula del interruptor de gas.
- Use detectores de fugas de líquido en todas las juntas y conexiones para verificar si hay fugas de gas.



Instalación sugerida para evitar interferencias debajo de la estufa

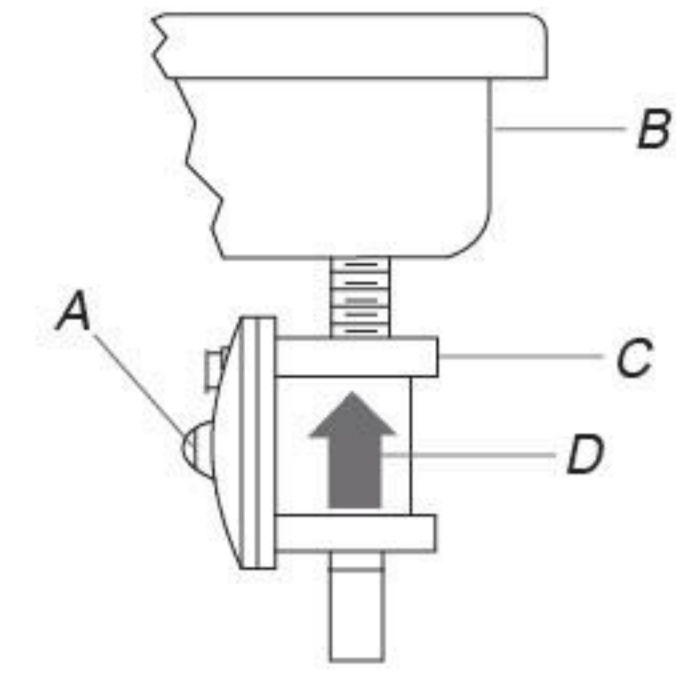


Instalación sugerida cuando no hay interferencias debajo de la estufa

Instrucciones de instalación

• Instalación de válvula reguladora

Cuando instale la válvula reguladora, haga que la flecha apunte hacia la parte inferior de la estufa e instálela en una posición que pueda tocar la tapa de la válvula reguladora.



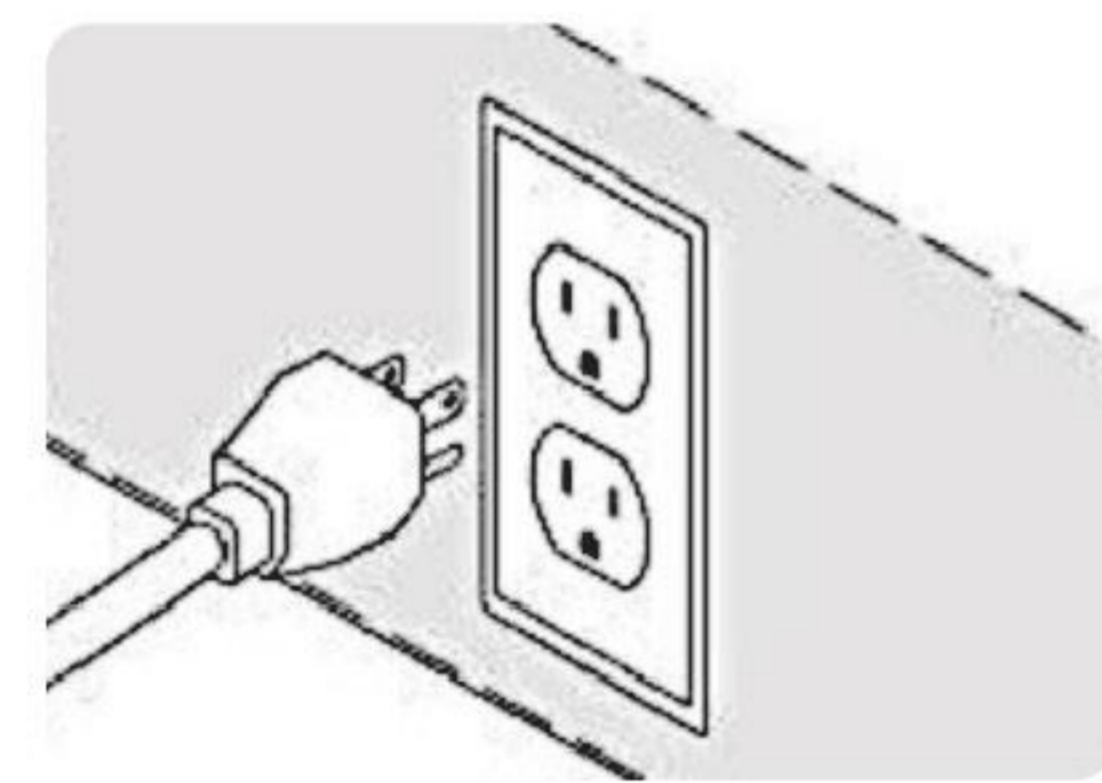
- A. Tapa de la válvula
- B. La parte inferior
- C. Válvula reguladora
- D. La flecha. La marca está ubicada en la parte inferior de la válvula reguladora.

■ Paso 3: Conexiones eléctricas

⚠ ADVERTENCIA

No modifique el cable de alimentación equipado de fábrica por sí mismo, ya que puede provocar un cortocircuito o una sobrecarga.

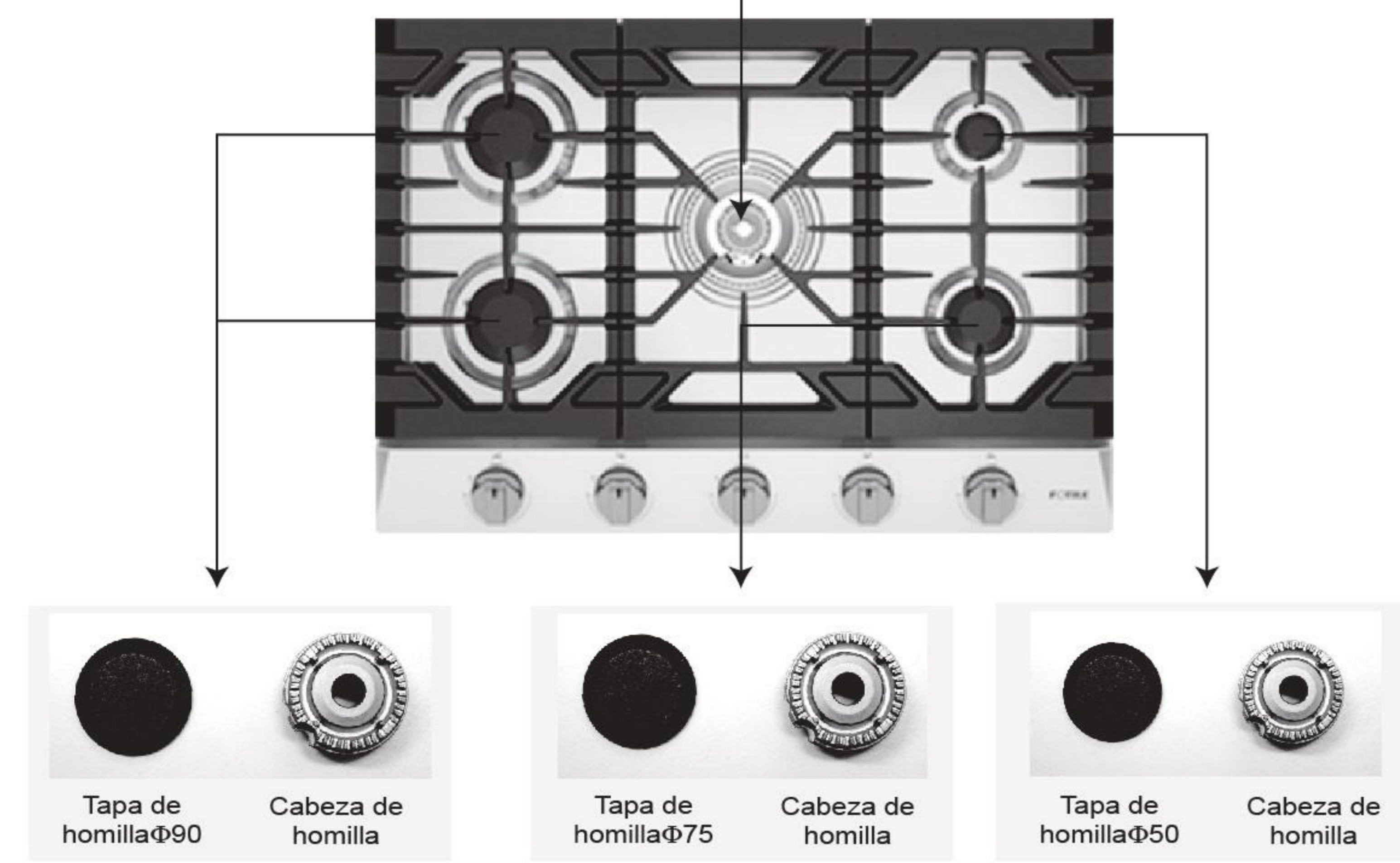
- Todas las estufas de gas vienen con un cable de alimentación que está conectado a la parte inferior de la estufa.
- Enchufe el cable de alimentación. Asegúrese de que el tomacorriente cumpla con los códigos eléctricos locales o nacionales.



■ Paso 4: Gura de montaje de hornilla instalación del soporte de la olla



Centro: 21000BTU Hornilla de tres anillos



Delantero izquierdo/trasero izquierdo: 13000BTU Hornilla de velocidad alta

Delantero derecho: 6000BTU Hornilla de velocidad media

Trasero derecho: 3000BTU Hornilla auxiliar

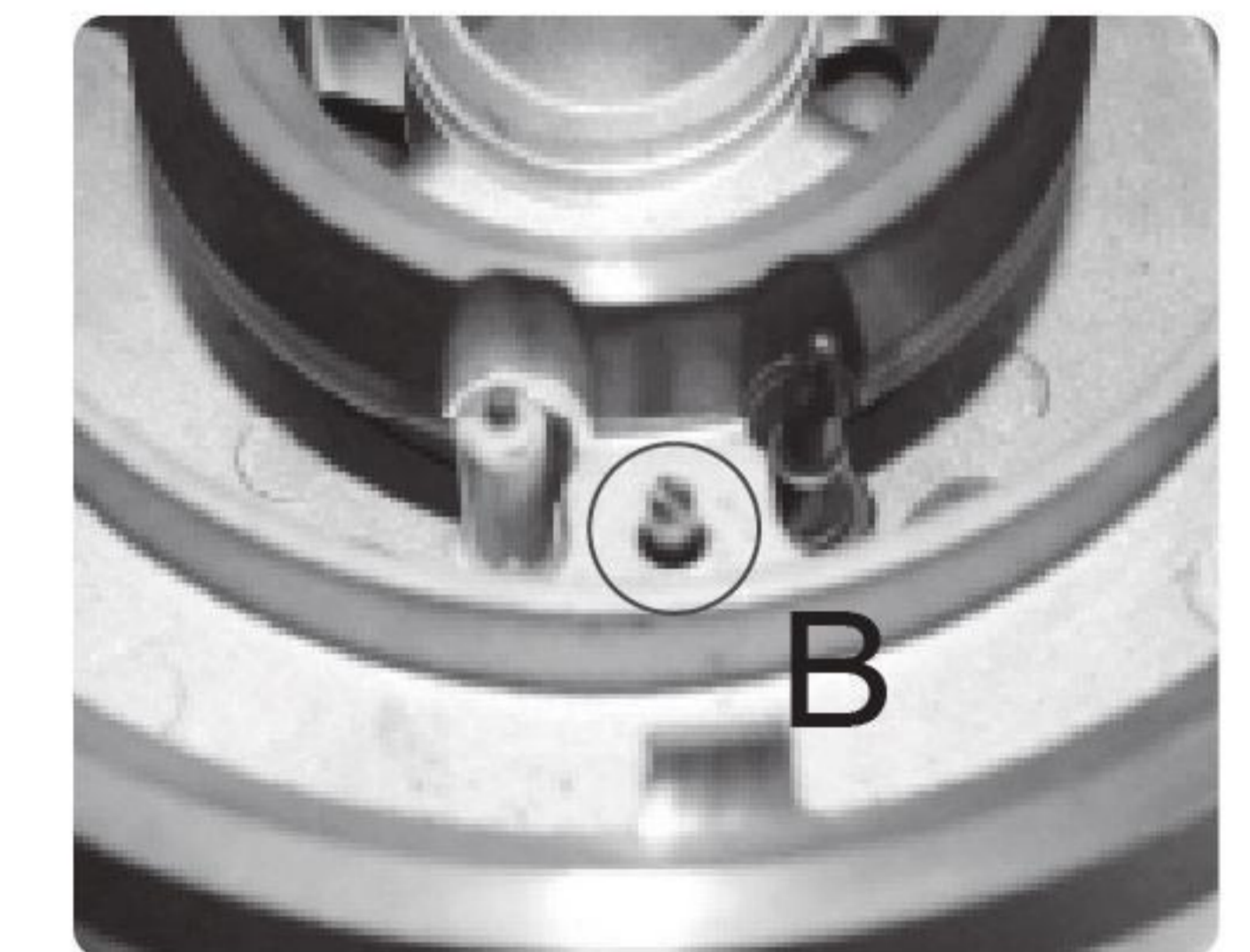
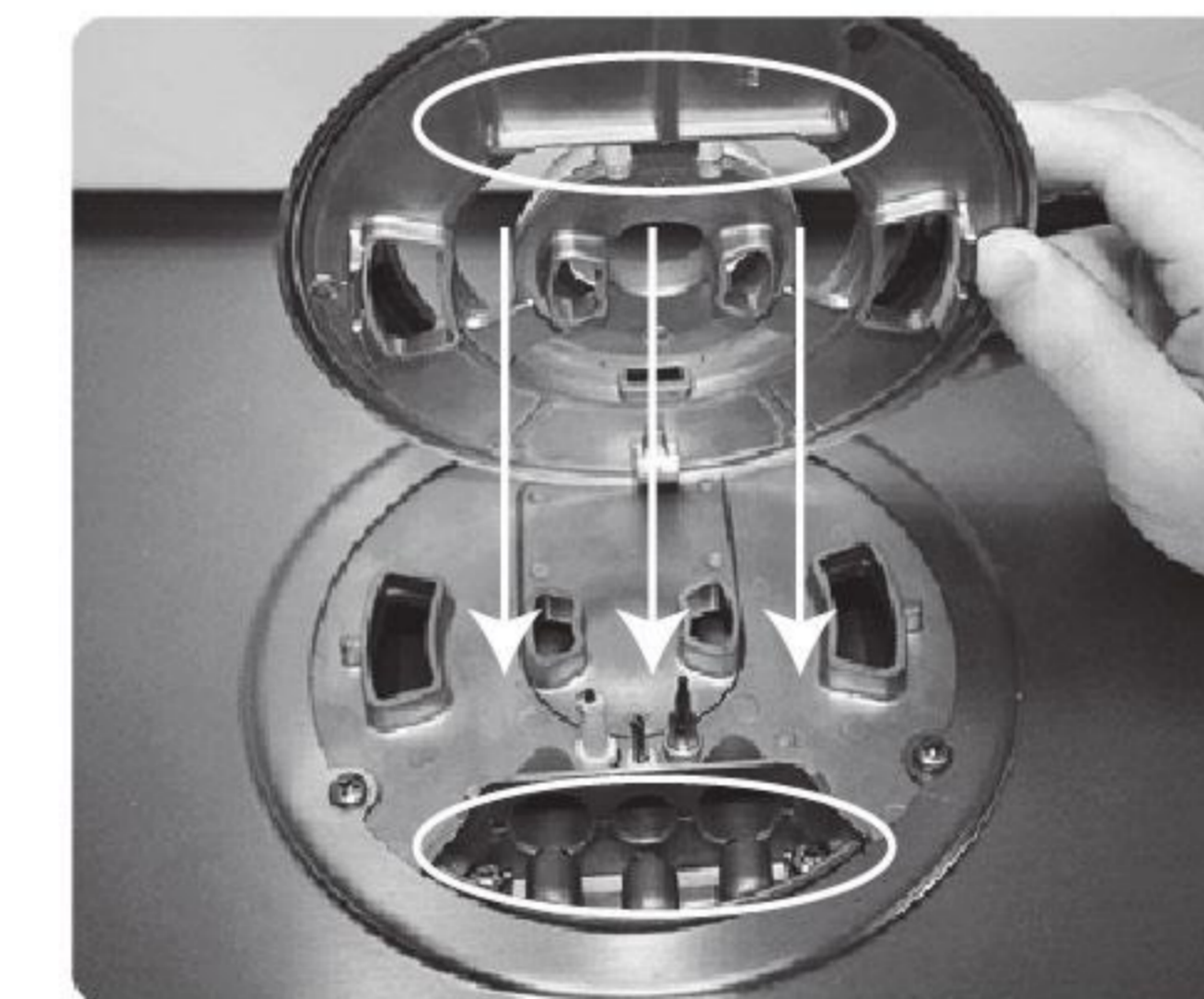
Instrucciones de instalación

Guía de montaje de la cabeza de hornilla de tres anillos

1. Sostenga la cabeza de hornilla de tres anillos con el lado plateado hacia abajo y luego encuentre el orificio "A"



2. Deje que el orificio "A" esté alineado con la aguja "B", luego coloque la cabeza de hornilla de tres anillos en la estufa y asegúrese de que esté firmemente asentado.

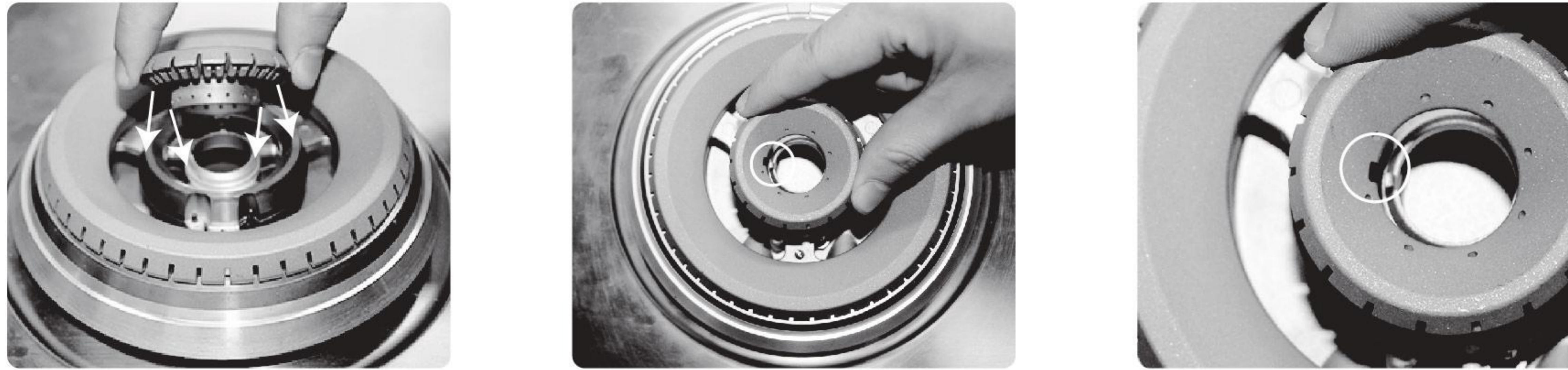


3. Coloque la tapa exterior de hornilla en la cabeza de hornilla de tres anillos y gírela suavemente después de colocarla para asegurarse de que la tapa exterior de hornilla esté en su lugar (la tapa exterior de hornilla se puede girar en cualquier posición).



Instrucciones de instalación

- Coloque la tapa interior de hornilla en la cabeza de hornilla de tres anillos, asegurándose de que las muescas estén alineadas. Asegúrese de que la tapa interior de hornilla esté en su lugar.



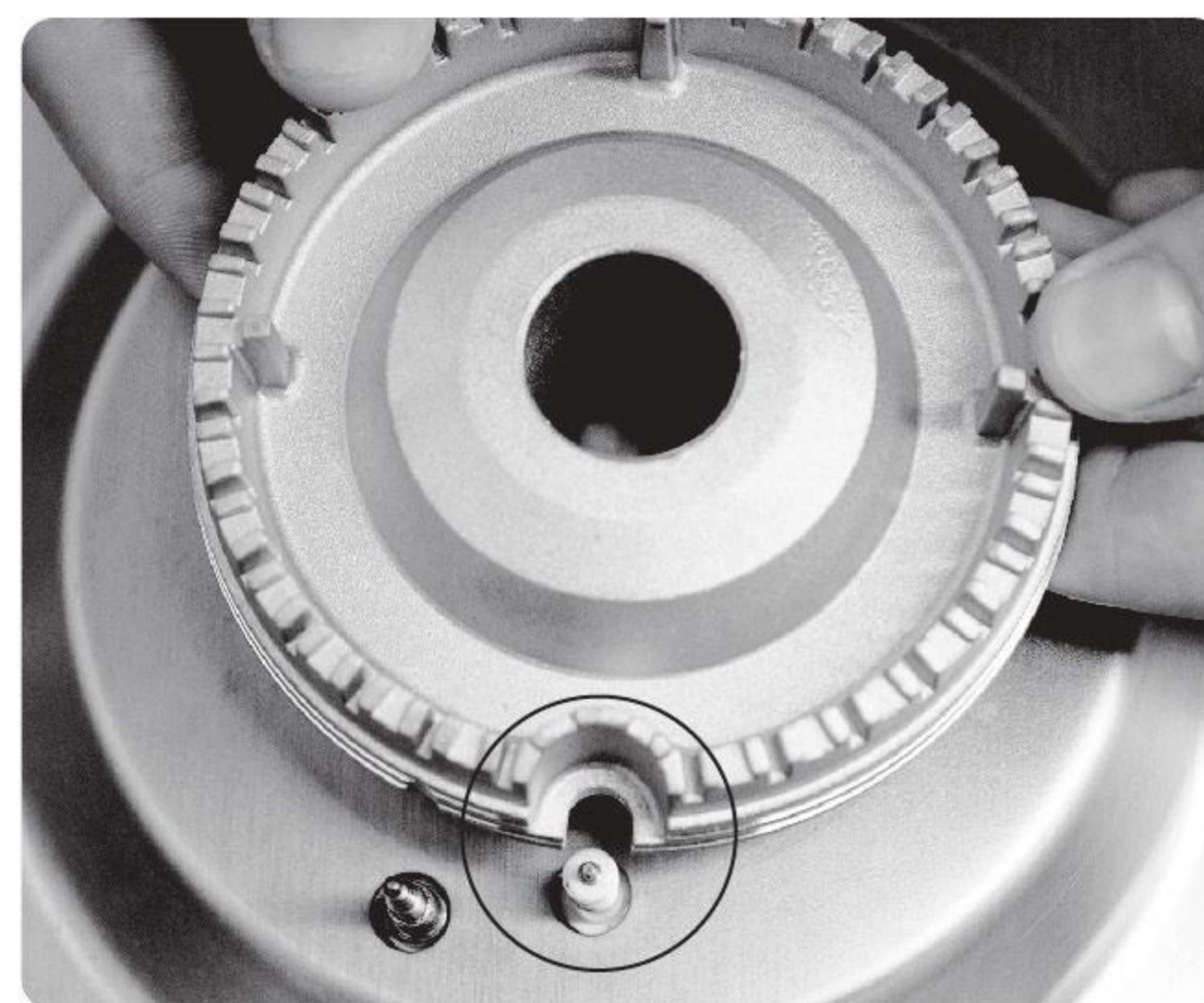
- Verifique que la cabeza de hornilla de tres anillos / tapa de hornilla esté en su lugar. Si la cabeza de hornilla / tapa de la hornilla es desigual o inestable, debe retirar y reinstalar.

Guía de montaje de otras hornillas

- Identifique la hornilla de velocidad alta / de velocidad media / auxiliar y la tapa de hornilla por tamaño 13000BTU > 6000BTU > 3000BTU
- Saque la cabeza de hornilla y encuentre la muesca "C" para que quede del mismo lado que la aguja de encendido "D".



- Coloque la tapa de hornilla en la cabeza de hornilla y gírela suavemente para asegurarse de que la tapa de hornilla esté en su lugar.



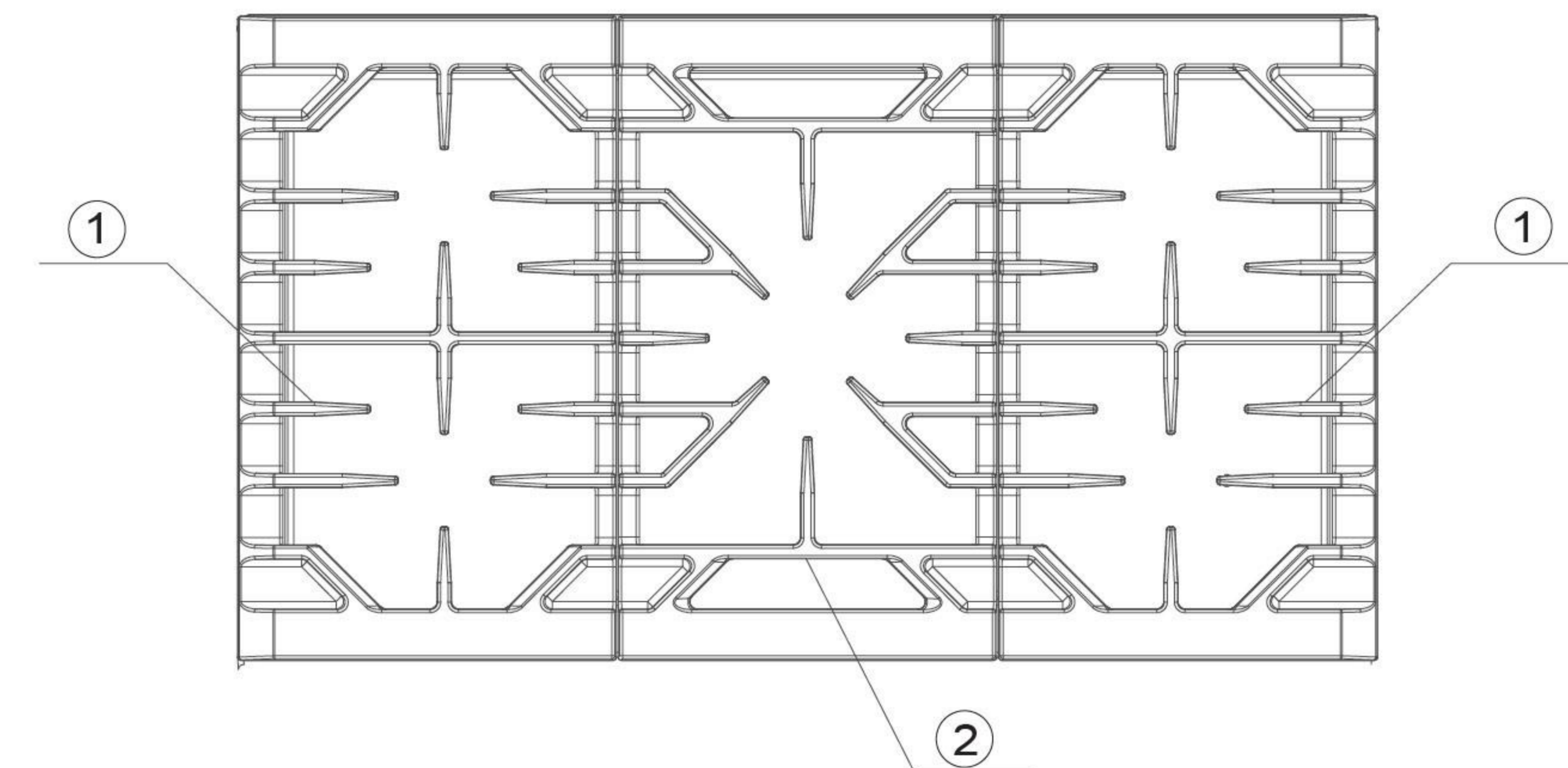
Instrucciones de instalación

- Verifique que la cabeza de hornilla / tapa de hornilla esté en su lugar.



- Verifique que la cabeza de hornilla de tres anillos / tapa de hornilla esté en su lugar. Si la cabeza de hornilla / tapa de la hornilla es desigual o inestable, debe retirar y reinstalar.

■ Instalación de rejillas



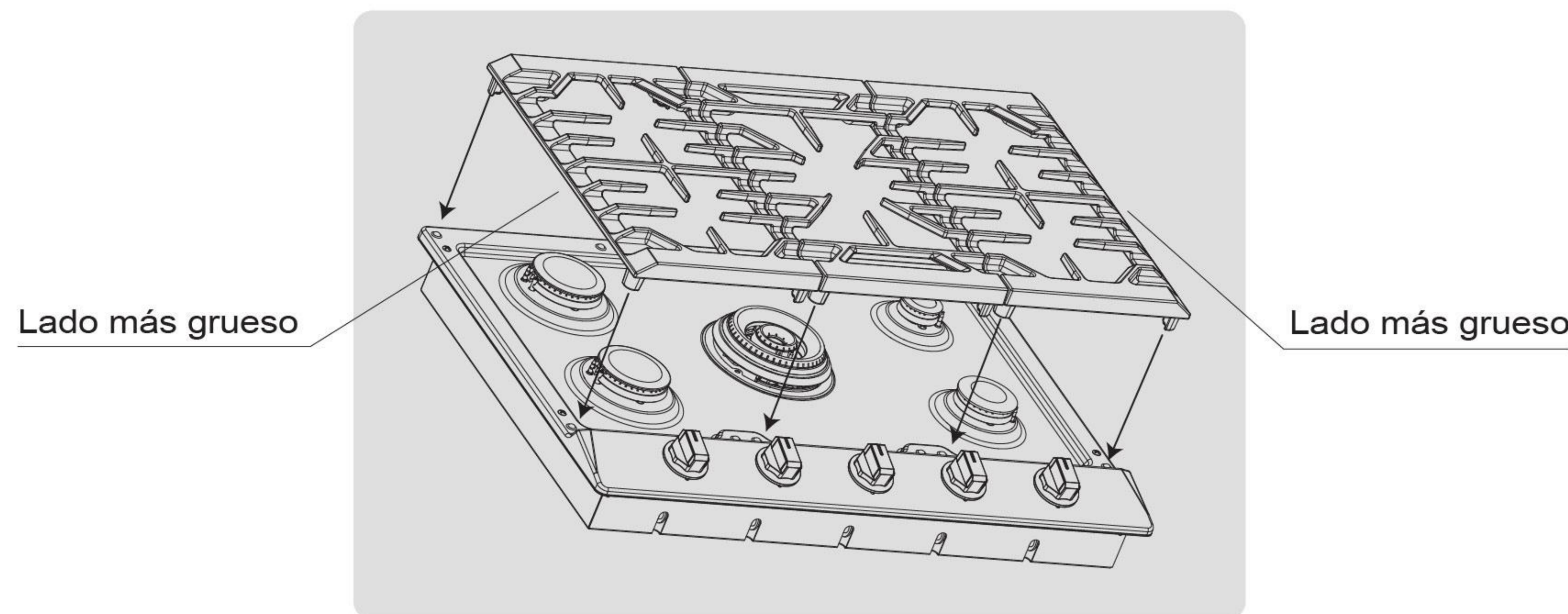
- ① Soporte de olla izquierda / derecha (igual, se puede cambiar) ② Soporte central

Hay tres soportes de la olla: izquierda / centro / derecha. Para una mejor estabilidad, asegúrese de que los tres soportes de la olla estén colocados en la posición correcta.

Siga los pasos a continuación para instalar el soporte de la olla:

- Saque 3 soportes de olla y encuentre el soporte central. (Los soportes izquierdo y derecho son iguales y se pueden cambiar)
- Baje suavemente el soporte de la olla central para que las patas de soporte de olla central se coloquen en el saliente del panel.
- Saque uno de los otros dos soportes de la olla y alinee el lado más grueso con el exterior de la estufa.
- Baje suavemente para que las patas del soporte de la olla se coloquen en el saliente del panel.
- Haga lo mismo para el soporte de la olla.
- Si se instala correctamente, las tres rejillas no se afectarán entre sí.

Instrucciones de instalación



■ Paso 5: Verifique el encendido y la calidad de la llama

⚠ ADVERTENCIA

Si no se enciende dentro de los primeros 15 segundos, gire la perilla a OFF (Posición cerrada) y espere 60 segundos antes de intentar encenderla nuevamente.

Este producto está equipado con un dispositivo de encendido rápido. Cuando se suelta la perilla, el encendedor continuará encendiéndose durante 1-3 segundos. No toque la aguja de encendido inmediatamente para evitar descargas eléctricas.

Verifique el encendido

- Este producto está equipado con un dispositivo de encendido rápido, solo presione la perilla hacia abajo hasta el final y gírela en sentido antihorario hasta el fuego máximo, escuchará un sonido de clic, que indica que el sistema de encendido está funcionando correctamente.
- Cuando se descarga el aire de la línea de suministro de aire, el quemador se encenderá en 3-5 segundos y el sonido del clic se detendrá en 1-3 segundos.
- Después de encender el quemador, puede girar la perilla a la posición que desee.
- Verifique si todos los quemadores pueden encenderse normalmente.

Compruebe la calidad de la llama.

- Verifique visualmente la calidad de la llama, la llama normal del quemador debe ser como se muestra en la figura a continuación.
- La larga y brillante llama amarilla es una llama anormal. Una llama normal puede aparecer de color naranja cuando se calienta lo suficiente, o puede aparecer de color naranja parpadeante debido a gases o partículas en el aire.



(A) Llamas azules suaves—
Normal para gas natural

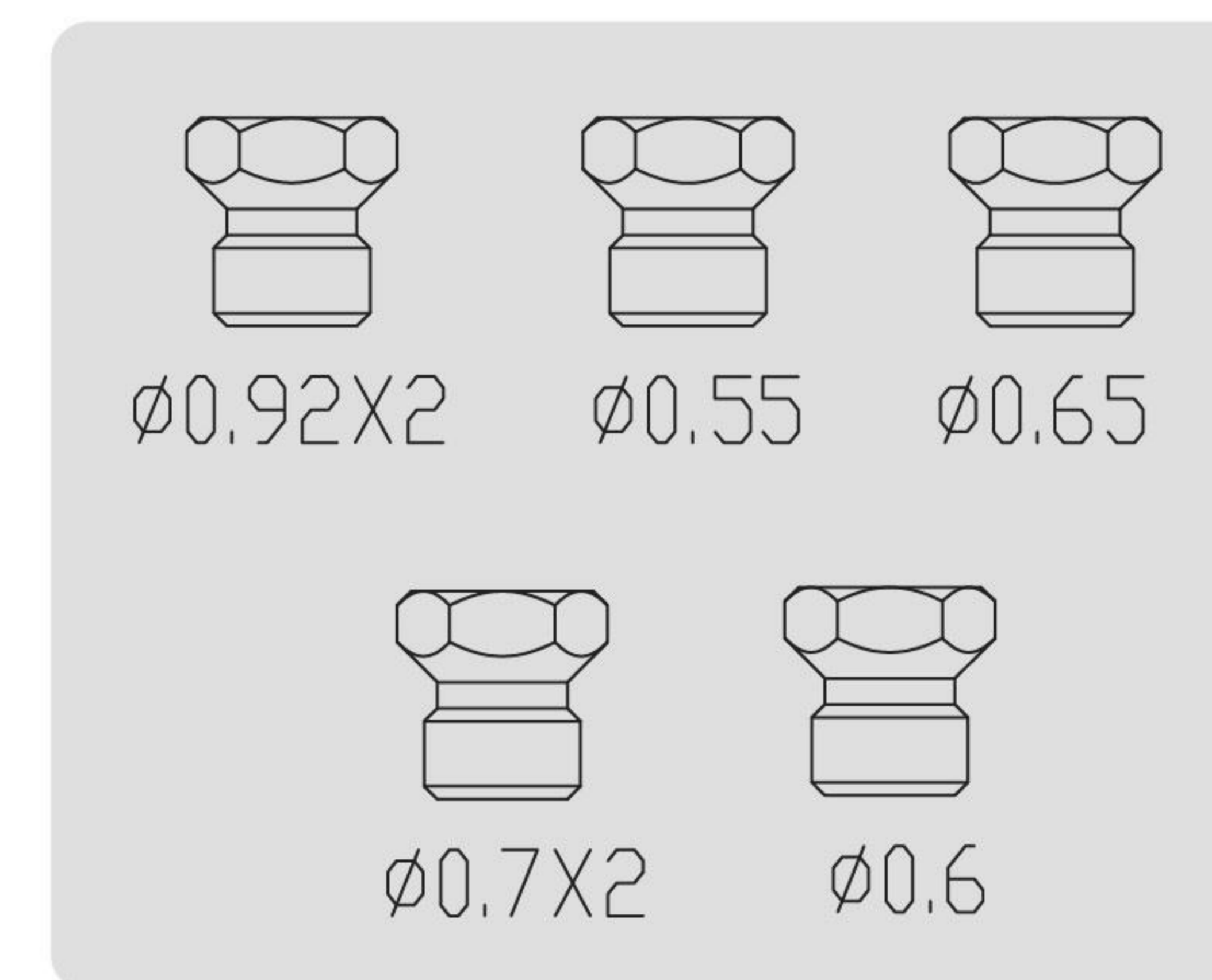


(B) Puntas amarillas en
conos exteriores—
Normal para gas propano

Instrucciones de conversión de gas licuado de petróleo

Todas las estufas de gas FOTILE se fabrican y envían para usarse con gas natural. Si necesita utilizar gas licuado de petróleo, conviértalo primero. El paquete está equipado con un kit de conversión de GLP (un conjunto de boquillas de quemador de tamaño adecuado y el regulador de presión se puede utilizar para gas natural y GLP). Siga las instrucciones al realizar la conversión.

Kit de conversión de GLP



Tamaño de la boquilla del quemador y clasificación de salida (GLP [propano] de WCP 10)

Ubicación del quemador	Tasa de BTU	Tamaño del orificio [mm]
RF	4500	0.65
LF	9000	0.92
RR	3000	0.55
LR	9000	0.92
CENTER	15000	Entrada: 0.6 / Salida: 0.7 (2 piezas)

■ Herramientas requeridas



Llave ajustable



9/32 *. Llave de boca abierta



Destornillador de tuerca:
9/32 pulgadas o 7 mm



Destornillador Phillips



3/16" Destornillador
ranurado

Antes de la conversión, por favor:

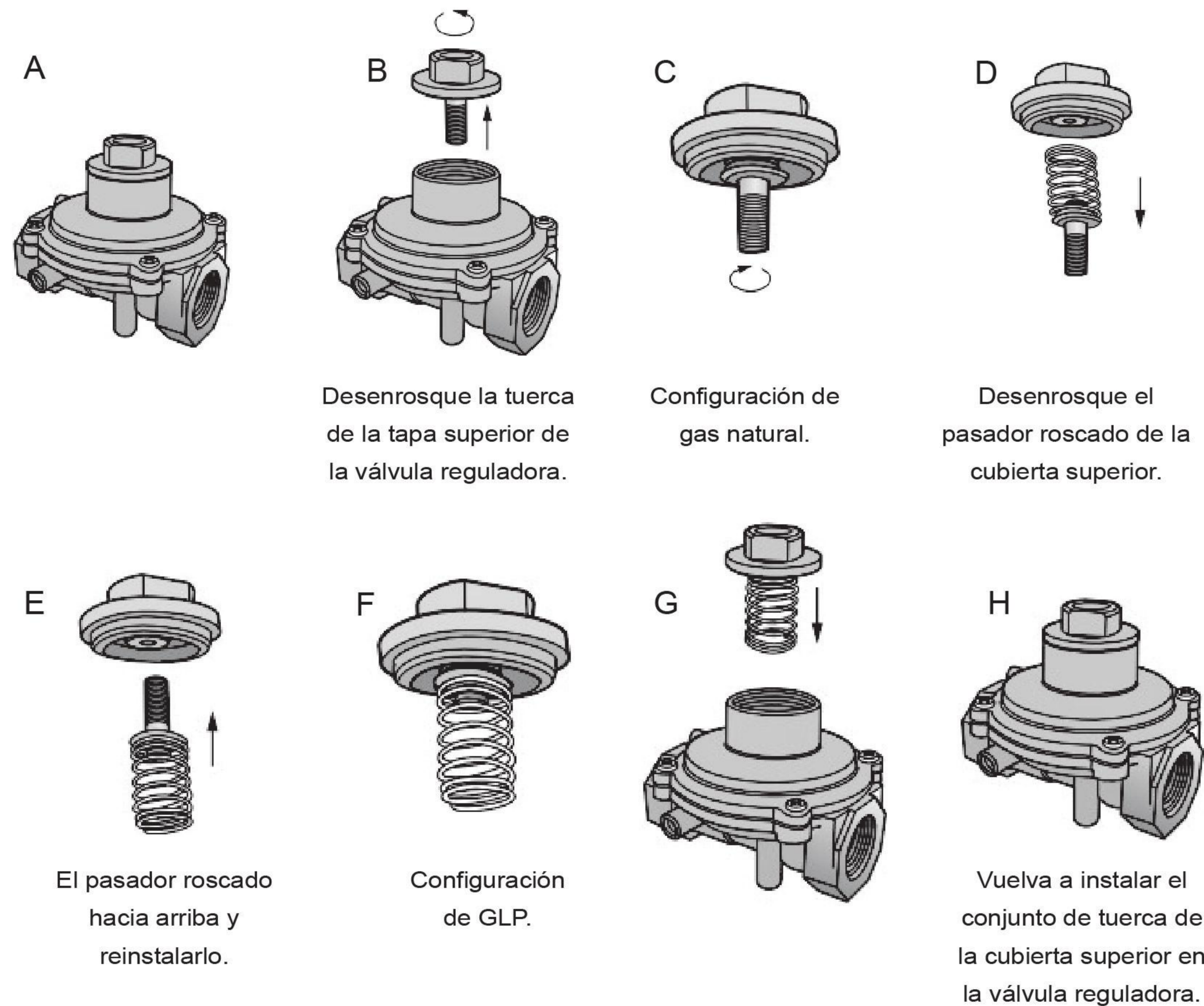
1. Desconecte la alimentación: desconecte el cable de alimentación de la estufa incorporada.
2. Cierre el suministro de gas a la estufa: cierre la válvula del interruptor de gas.

Instrucciones de conversión de gas licuado de petróleo

⚠ ADVERTENCIA

No use aparatos de cocina que no se ajusten a la fuente de gas antes de que se complete la conversión de la válvula reguladora de presión y la boquilla del quemador, de lo contrario, puede causar grandes llamas y humo tóxico, lo que puede causar lesiones graves. La conversión debe ser realizada por profesionales, y el incumplimiento puede causar lesiones graves o daños a la propiedad.

■ 1. Siga las instrucciones a continuación para cambiar la válvula reguladora

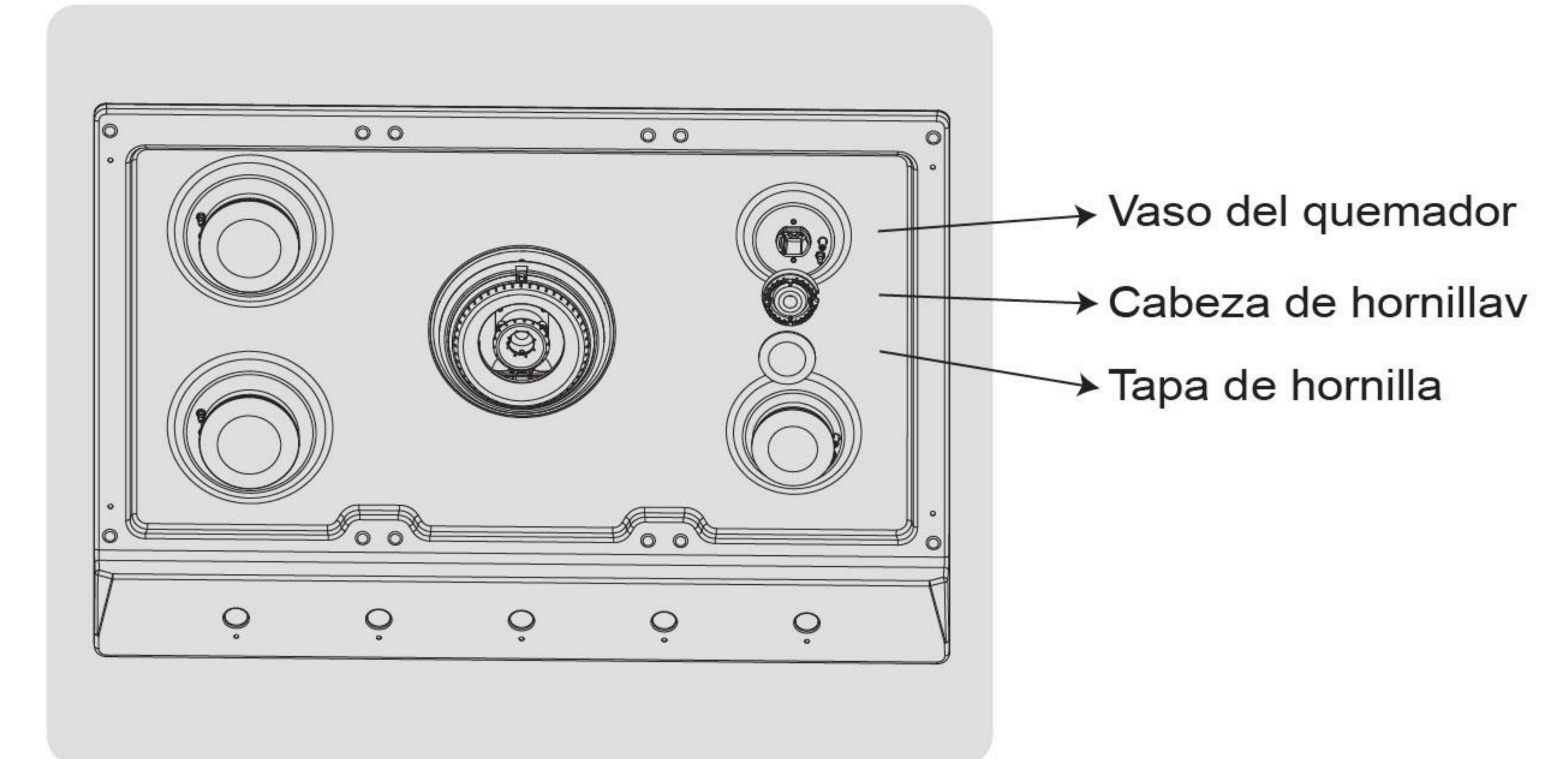


Instrucciones de conversión de gas licuado de petróleo

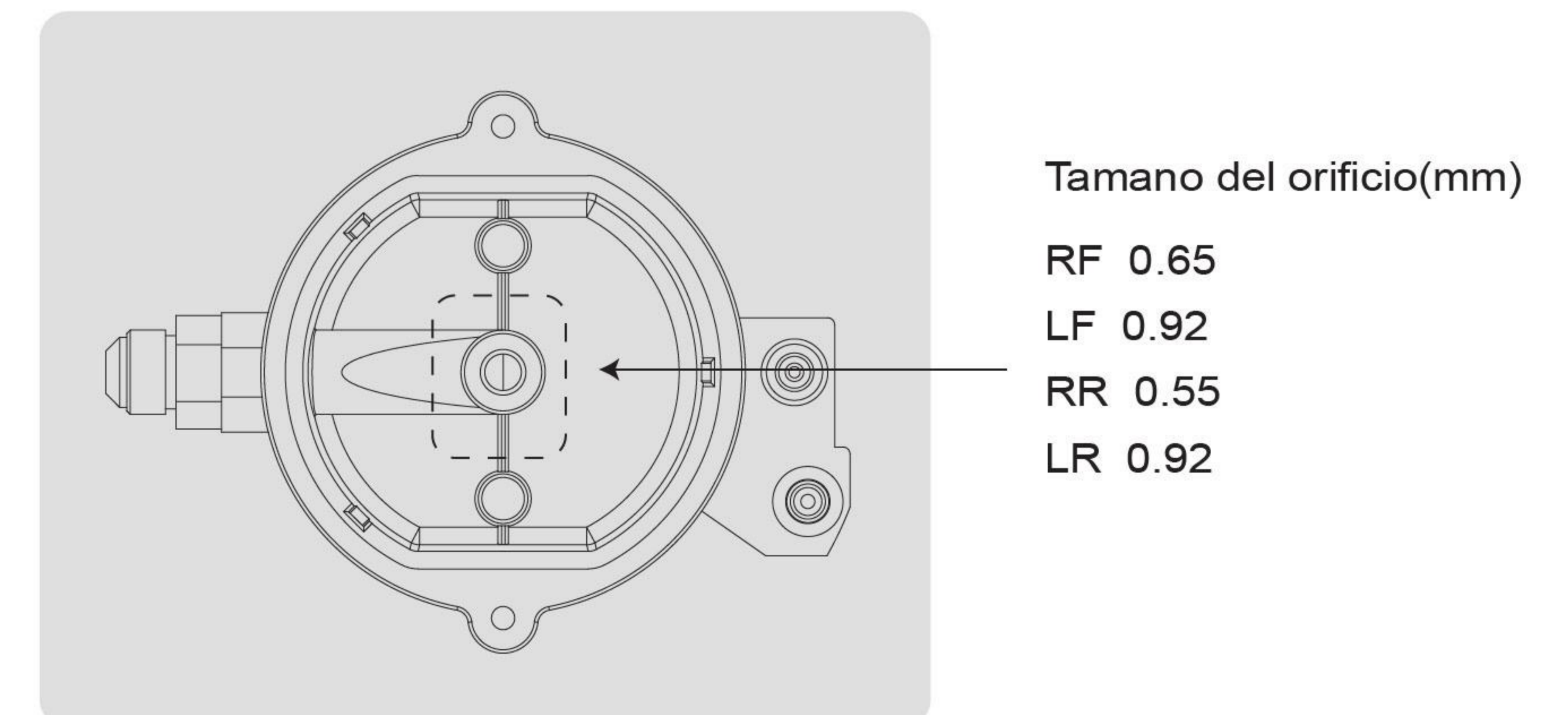
■ 2. Siga las instrucciones a continuación para convertir la boquilla del quemador.

Guarde la boquilla del quemador reemplazada para volver a convertirla en gas natural en el futuro.

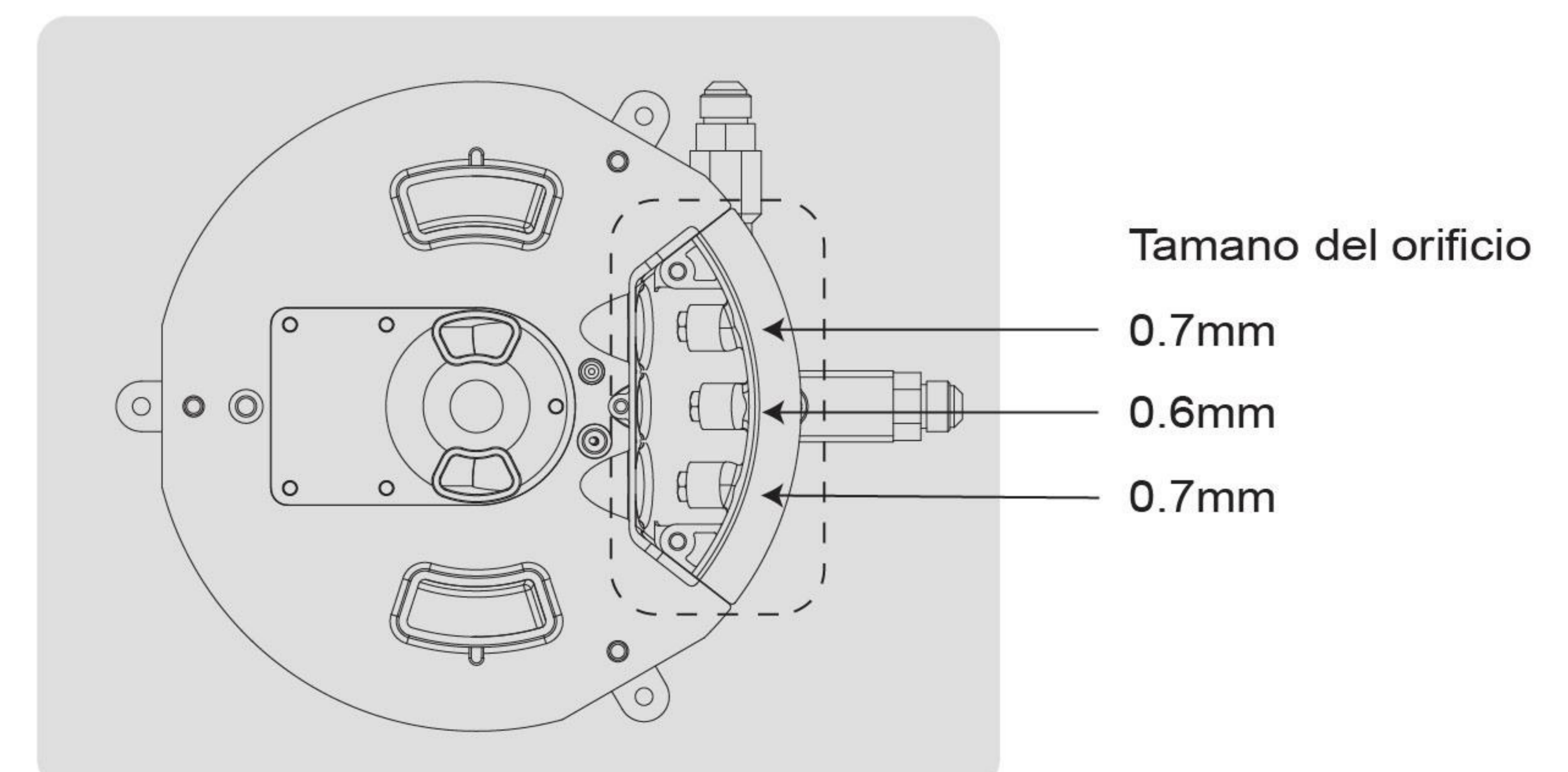
Paso 1: Retire la tapa de hornilla y la cabeza de hornilla del vaso inferior del quemador de la estufa.



Paso 2: Retire la boquilla original del quemador auxiliar / de velocidad media / de velocidad rápida de la parte inferior del quemador y apriétela lentamente en sentido horario sin fuerza excesiva.

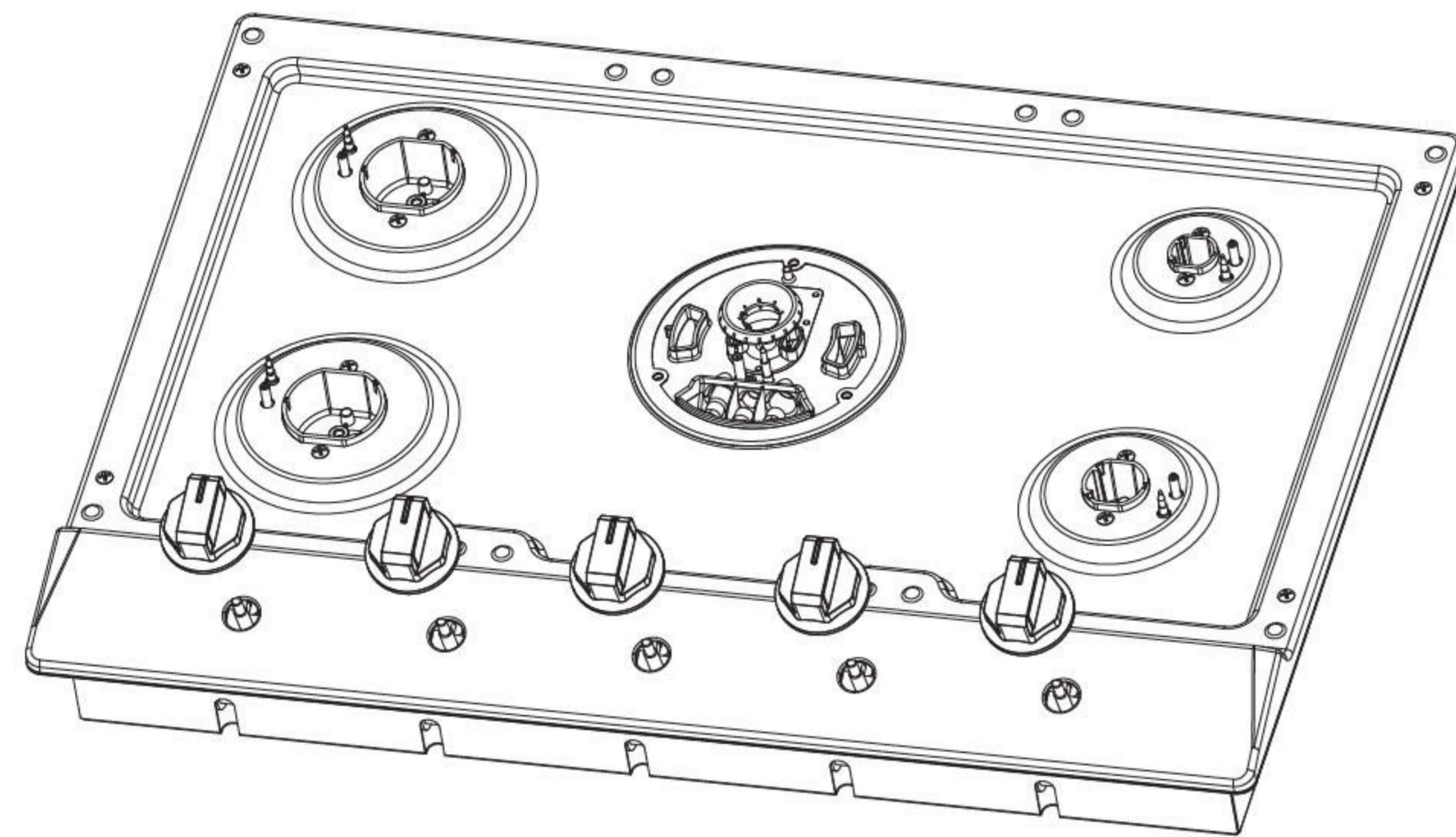


Paso 3: Retire el estabilizador con un destornillador Phillips, use una llave de boca abierta de 9/32 pulgadas o 7 mm para quitar la boquilla del quemador central del vaso inferior del quemador y reemplazar la boquilla del quemador de GLP.

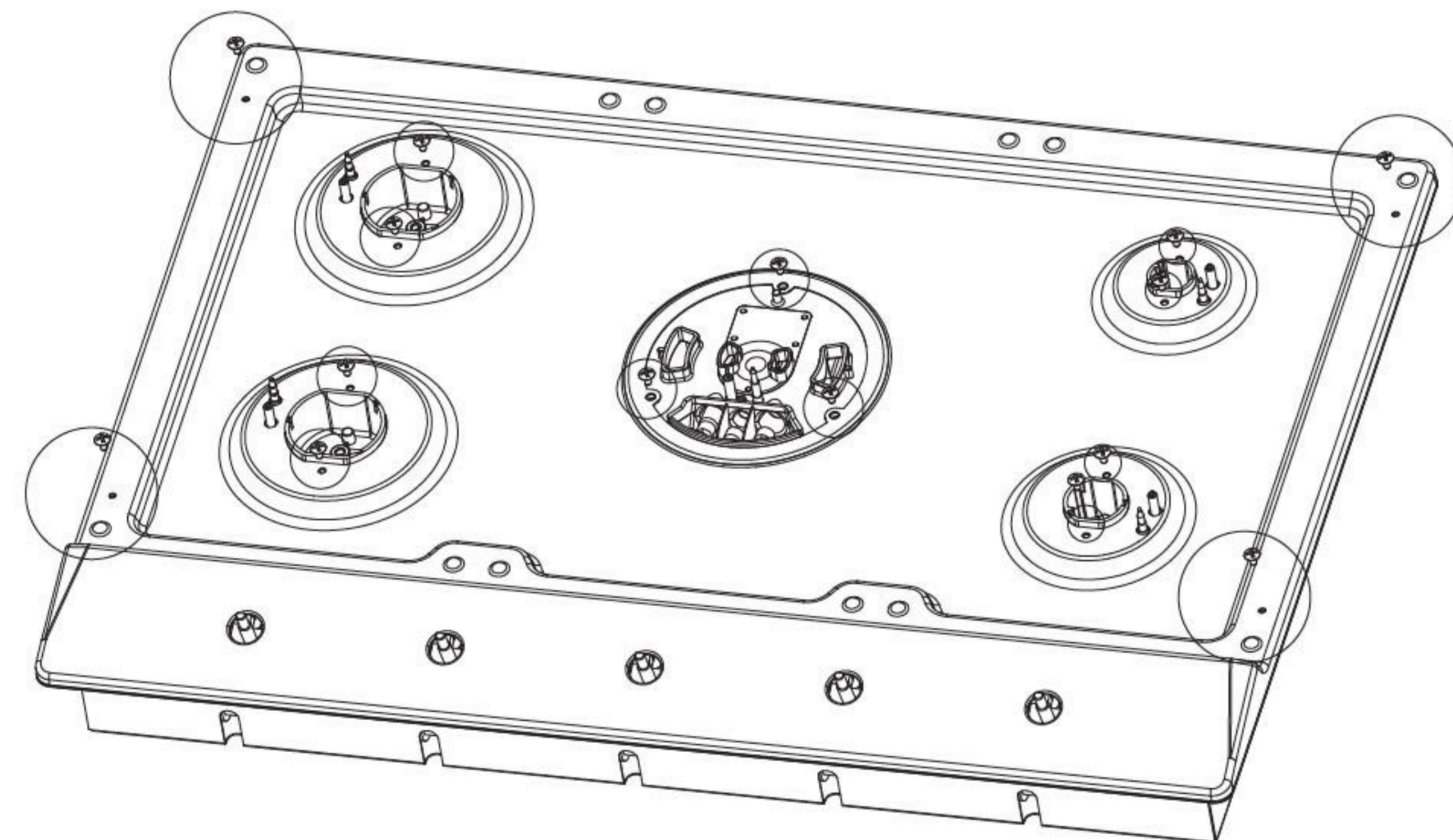


Instrucciones de conversión de gas licuado de petróleo

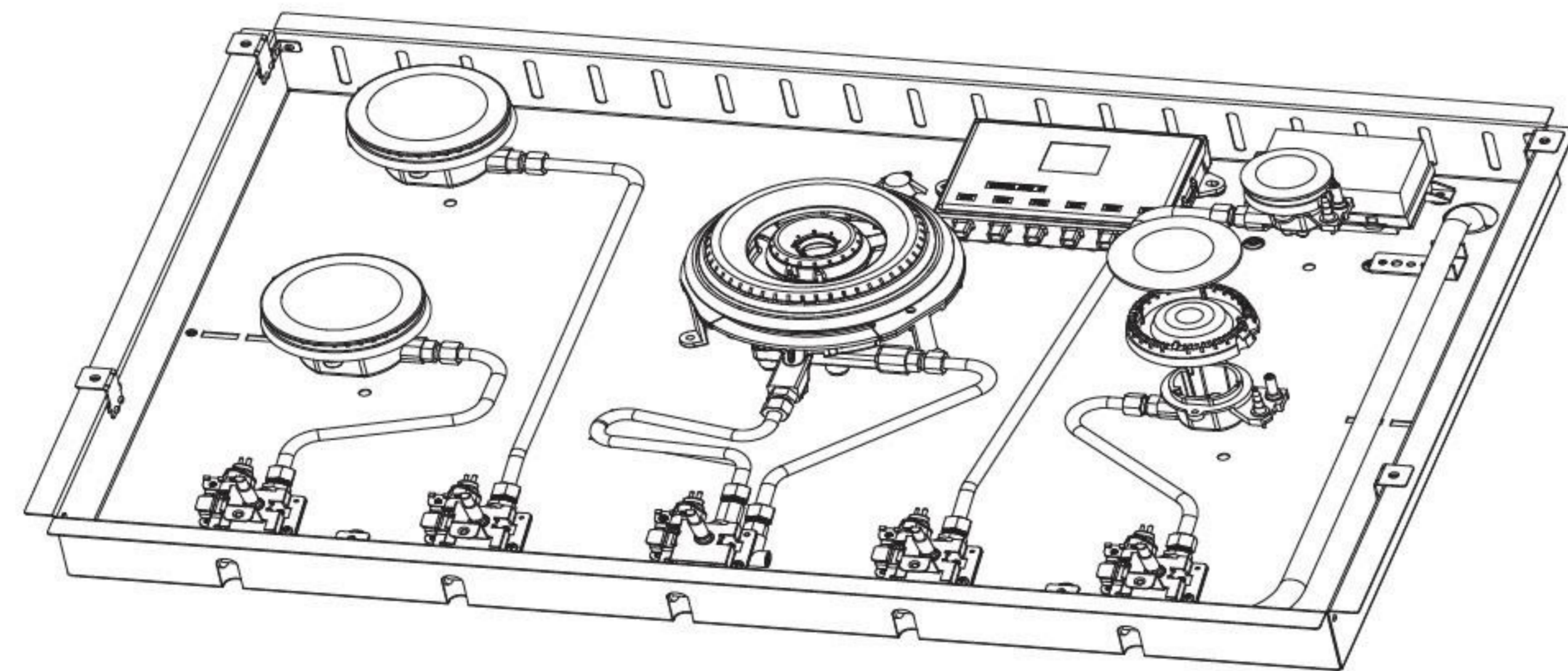
Paso 4: Retire las cinco perillas del panel una por una.



Paso 5: Utilice un destornillador Phillips para quitar los tornillos del panel (15 en total) y retire el panel.



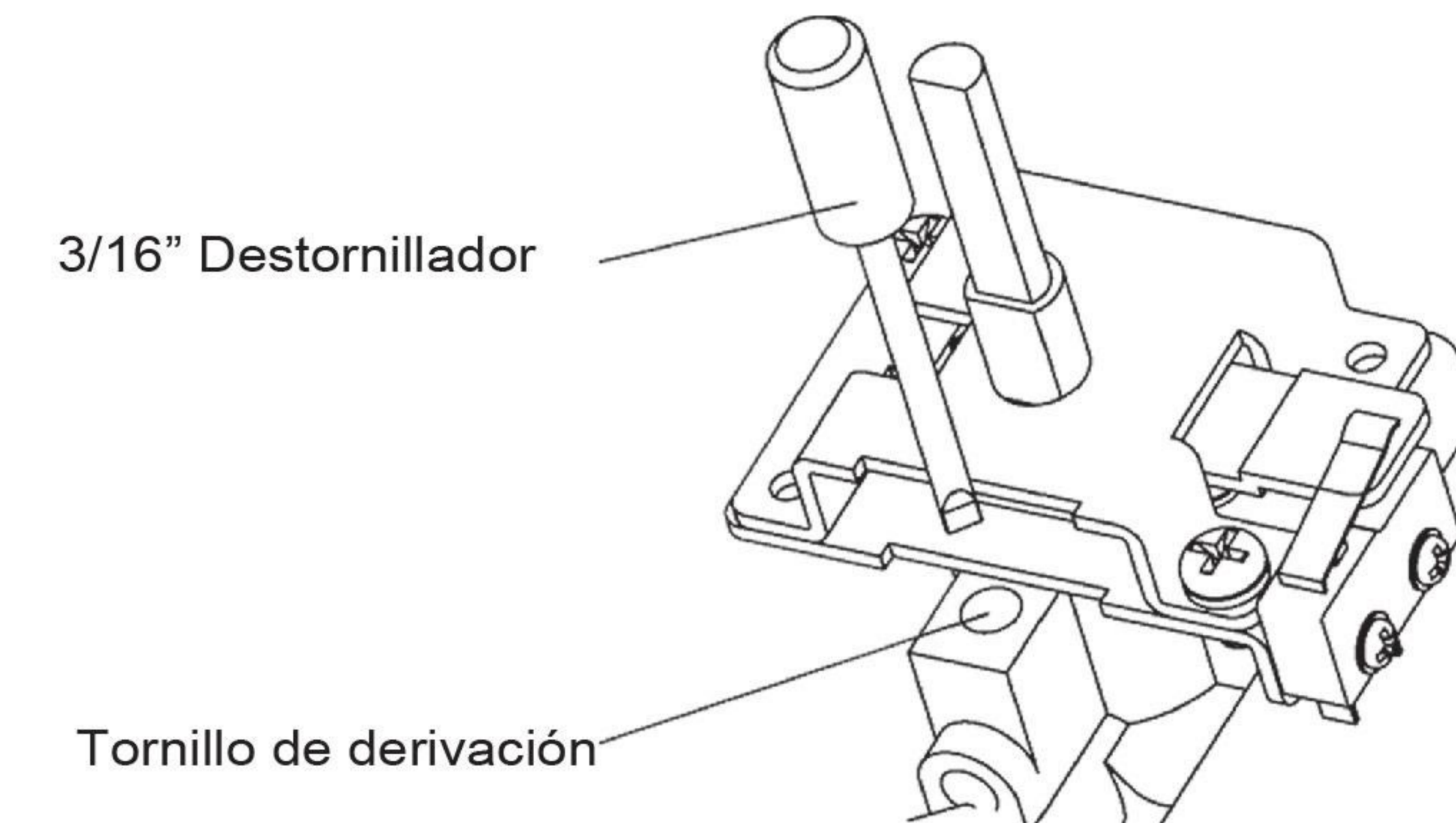
Paso 6: Vuelva a colocar los cinco quemadores en sus respectivos vasos inferiores.



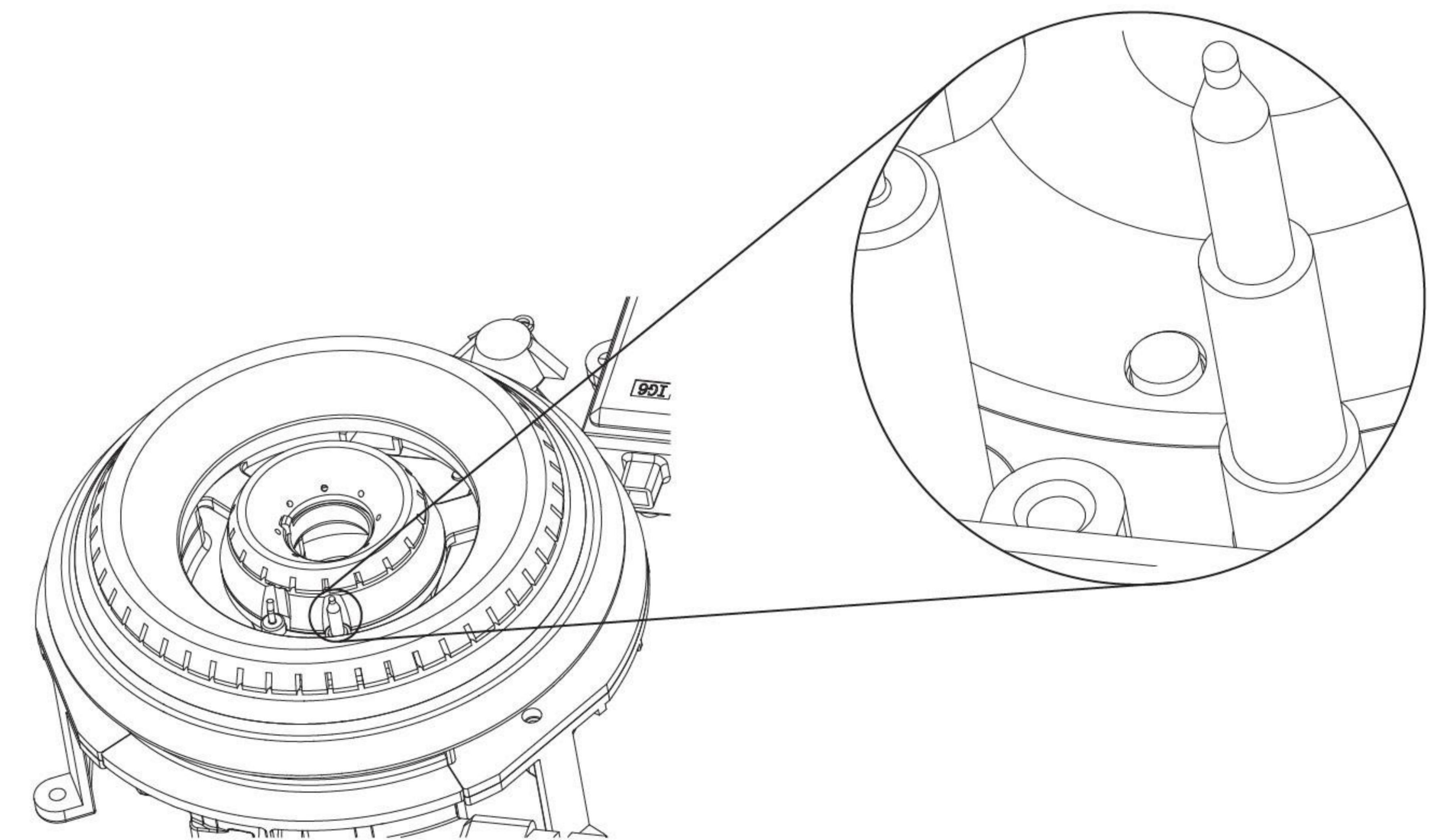
Instrucciones de conversión de gas licuado de petróleo

Paso 7: Ajuste los tornillos del cuerpo

Vuelva a colocar las perillas en la estufa de gas, abra la válvula de la tubería de gas, encienda y ajuste la potencia de fuego al mínimo. Utilice un destornillador de hoja plana de 3/16" para ajustar el tornillo del cuerpo de la válvula (gírelo hacia abajo en el sentido horario) a la potencia de fuego mínima y haga que la llama se quemé en el termopar. En este estado, observe durante un minuto para asegurarse de que el fuego pequeño no se apaga. Si se apaga, ajuste el tornillo del cuerpo de la válvula en la dirección opuesta para aumentar la potencia de fuego y repita los pasos de observación. Ajuste los cinco quemadores de la misma manera.



La siguiente figura es una vista ampliada del cabezal del termopar.



Paso 8: Instale el panel, el quemador y la perilla nuevamente en el cuerpo principal de la estufa.

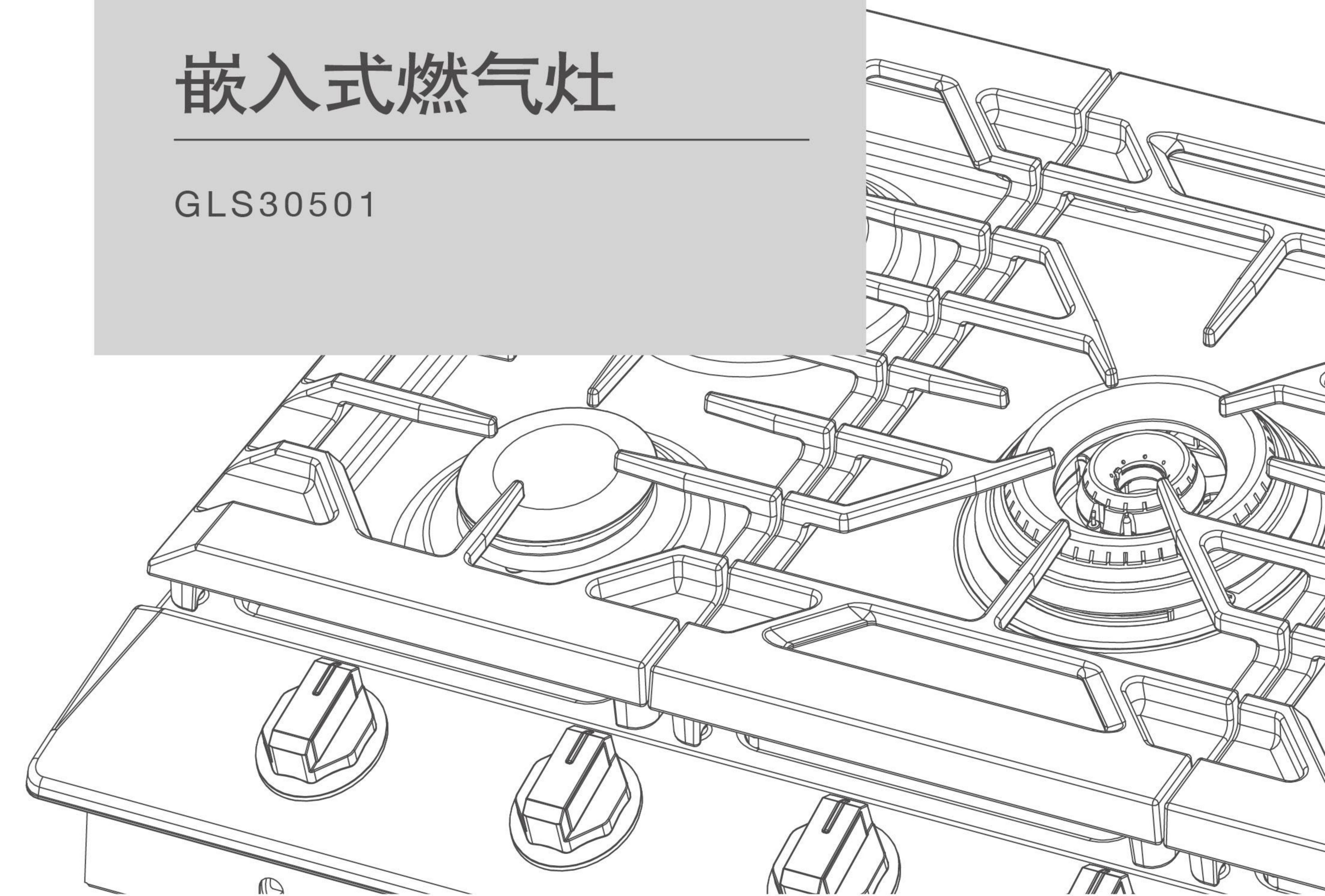
FOTILE 方太

安 装 手 册

在安装此产品前，请阅读所有说明。

嵌入式燃气灶

GLS30501



方太已尽力确保在印刷时本手册中所给出的信息正确。然而，由于产品不断改进，方太保留变更产品和技术数据权利，恕不另行通知。

制 造 商：宁波方太厨具有限公司
浙江省（中国）慈溪市杭州湾新区滨海二路218号
销售公司：FOTILE AMERICA LLC.
6 Campus Dr, Suite 210, Parsippany, NJ 07054
网 址：WWW.FOTILEGLOBAL.COM

目 录

重要安全信息	2
装箱清单和安装工具	6
安装前检查	7
产品基本尺寸	7
安装环境要求	8
安装要求	9
安装说明	11
灶具放置	11
气源连接	12
电源连接	13
炉头安装指南和锅支架安装	13
检查点火和火焰质量	17
液化石油气转换说明	18

使用本设备前，请仔细阅读所有说明。保存本手册。请勿遗失。

您的安全至关重要

我们在本手册和您的产品上提供了许多重要的安全信息。请务必阅读并遵守所有安全信息。



这是安全警告标志。

此标志提醒您有造成人员伤亡的潜在危险。

所有的安全信息将列于安全警示标志之后，包括“危险”和“警告”字样。这些字样代表含义如下：



危险

请严格遵守使用说明，否则可能马上面临生命危险或严重伤害。



警告

请严格遵守使用说明，否则可能面临生命危险或严重伤害。

安全信息将会提及存在的潜在风险，告知降低受伤可能性的方法，同样也会告知不遵守说明可能造成的后果。



警告

请严格遵守本手册中的信息，否则可能引发火灾或爆炸带来财产损失、人身伤害或生命危险。

请勿将汽油或其他可燃性气体和液体在本设备或其他设备附近储存或使用。

— 如果闻到煤气味道：

- 请勿点燃任何设备。
 - 请勿触摸任何电气开关。
 - 请勿在您所在的建筑物中使用电话。
 - 立即使用邻居的电话呼叫您的燃气供应商。听从燃气供应商的指导。
 - 如未能联系燃气供应商，请致电消防部门。
- 安装和维修必须由合格的安装人员、维修机构或燃气供应商执行。

警告

单纯通过气味无法准确检测燃气泄漏。
燃气供应商建议您使用UL或CSA批准的燃气检测器。
请联系您的燃气供应商了解更多信息。

警告

使用本设备进行烹饪时，切勿将其置于无人看守的情况。

- 请严格遵守此警告声明，否则可能带来火灾、爆炸或燃烧危险，从而导致财产损失、人身伤害或生命危险。
- 如不慎发生火灾，请远离本设备，并立即致电消防部门。请勿试图用水扑灭油火。

重要事项

请勿安装将空气向下吹向燃气灶的通风系统。此类通风系统可能导致燃气灶的点火和燃烧问题，从而导致人身伤害或意外事故。

加利福尼亚州65号提案警告**警告**

本产品含有一种或多种加利福尼亚州已知会导致癌症、出生缺陷或其他生殖伤害的化学物质。燃气灶可能导致低水平暴露于其中一些物质，包括苯、一氧化碳、甲醛和烟灰，此类物质主要由天然气或丙烷燃料的不完全燃烧产生。
打开窗户或使用通风风扇或通风罩，可最大限度地减少接触此类物质。

马萨诸塞州

马萨诸塞州适用的安装说明如下：

- 安装和维修必须由马萨诸塞州合格或许可的承包商、管道工或燃气装配工进行。
- 如果使用球阀，则应为T字手柄型。
- 请勿使用超过3英尺的柔性燃气连接器。

安装注意事项**警告**

触电危险
未按说明操作可能导致触电或伤亡



划伤危险
小心—面板边缘锋利。
不小心可能导致划伤

重要安全预防措施

- 应特别注意通风相关要求
- 请将安装信息告知安装人员，可以降低您的安装成本。
- 该产品只能由专业人员安装、接电和接气
- 安装必须符合您当地建筑和燃气管理局的规范和电力法规
- 未正确安装设备可能导致保修或索赔无效。
- 仅适用于天然气或液化气（出厂配置为天然气，使用液化气需转换）。如有疑问，请咨询当地燃气供应商。

在安装设备之前，请确保：

- 当地燃气和压力与此产品兼容，可兼容的燃气相关信息请检查产品铭牌。
- 安装后燃气开关阀必须是可轻易触及的，且减压阀必须安装在产品的进气口。

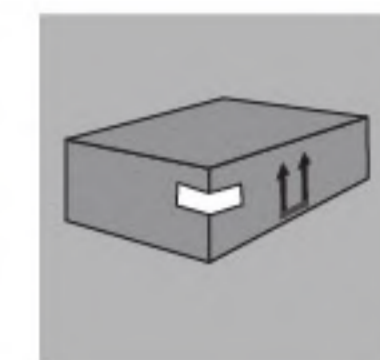
安装设备时

- 我们不建议在此产品上安装下吸式油烟机，因为它可能会改变火焰模式，导致加热不均匀或烹饪性能下降。
- 有熄火保护装置的产品可安装在船舶或房车中，但则不得用作加热器。
- 请勿将易燃材料或产品放在该产品上。当该产品运行时，请勿在附近喷洒气溶胶。
- 如果按照此手册操作后，设备仍无法正常运行，请联系方太客服：serviceusa@fotile.com 或 1-888-315-0366。

包装处理说明—环境保护政策

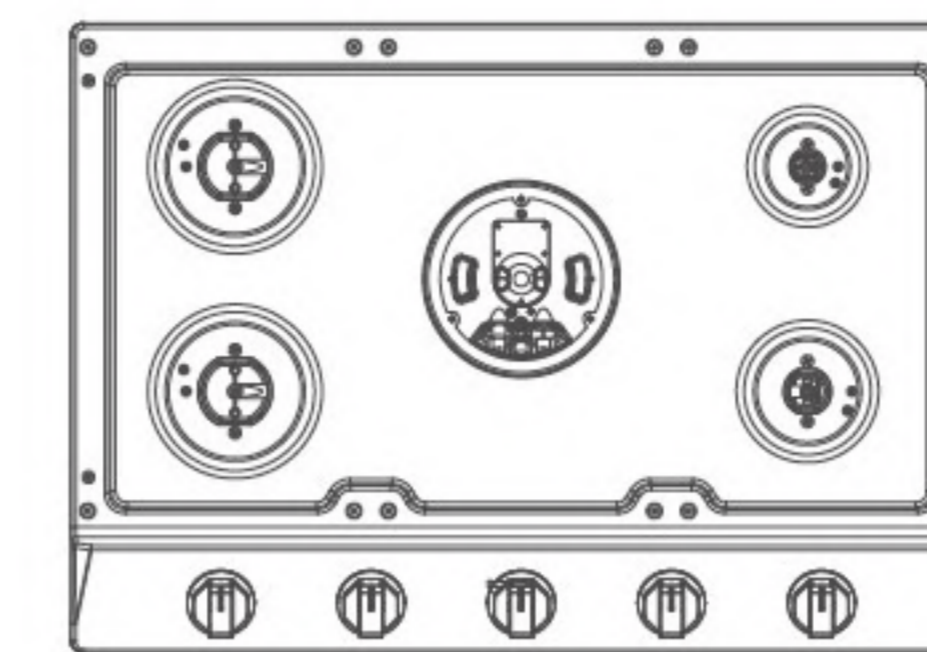
我们的产品仅使用环保、无污染、可回收的材料包装。希望您妥善处理包装。请勿随地扔弃全部或部分包装。包装件，尤其是塑料袋，可能会导致儿童窒息。

你换下的产品也希望您妥善处理。您可将换下的设备交付给当地废旧设备回收机构。妥善的处理可以有效回收有价值材料。

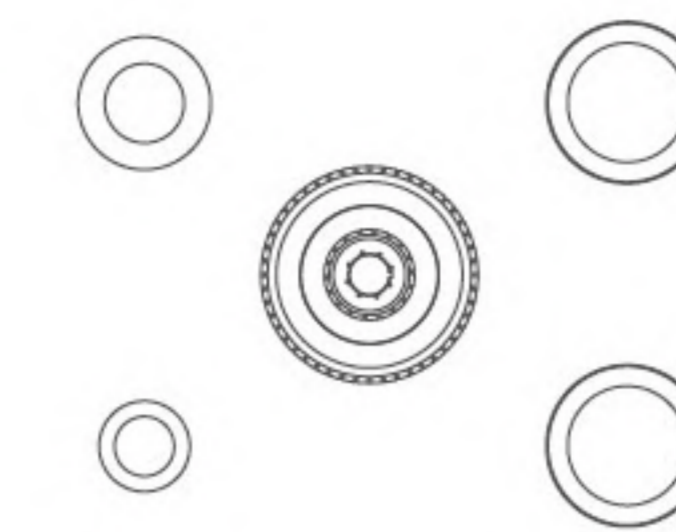


切勿将包装残余物留在室内无人看管。按类型分离废弃包装材料，并将其交付至最近的处理中心

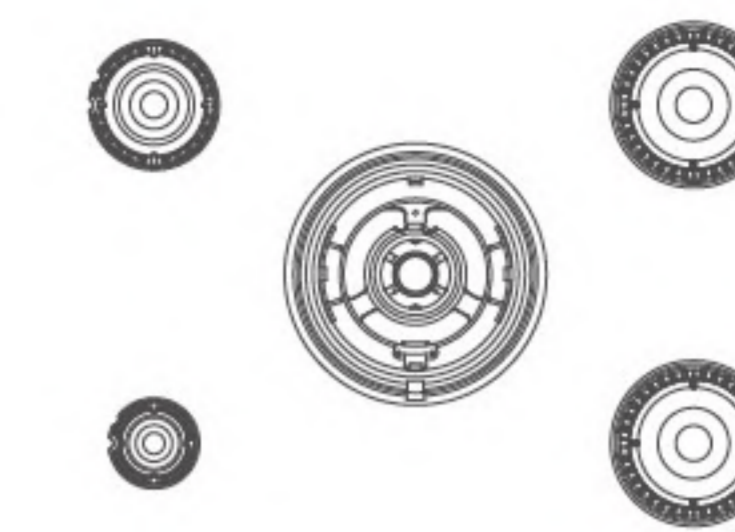
■ 装箱清单



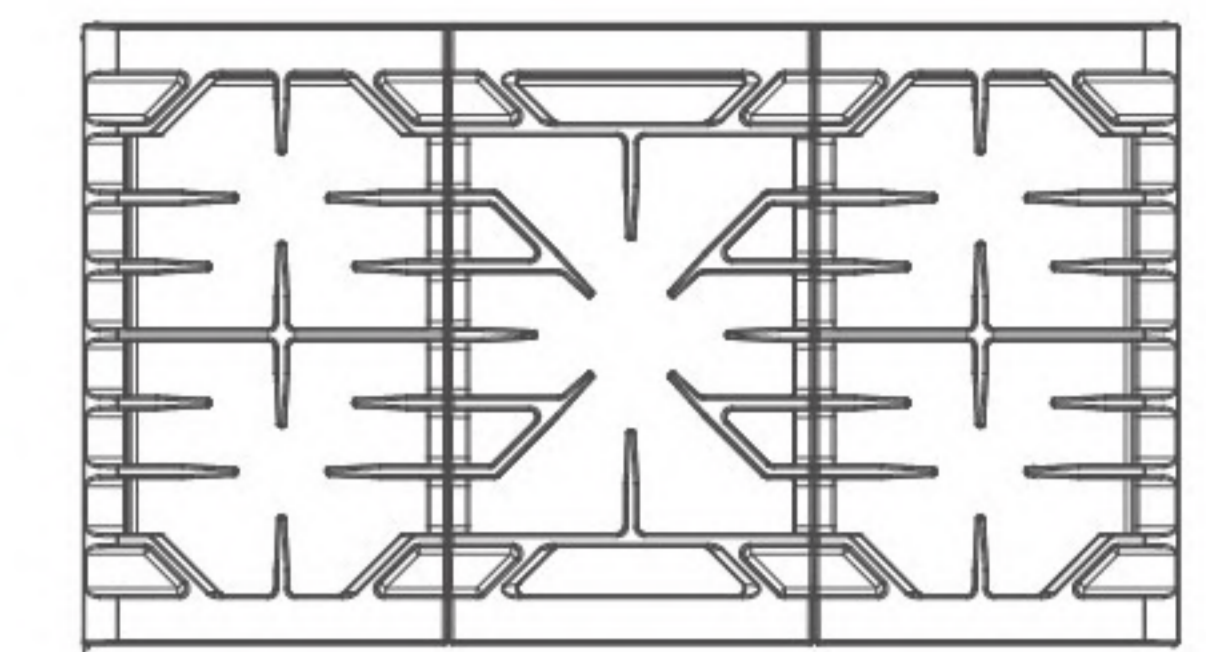
灶具本体 (1)



火盖 (6)



喷火器 (5)



锅支架 (3)



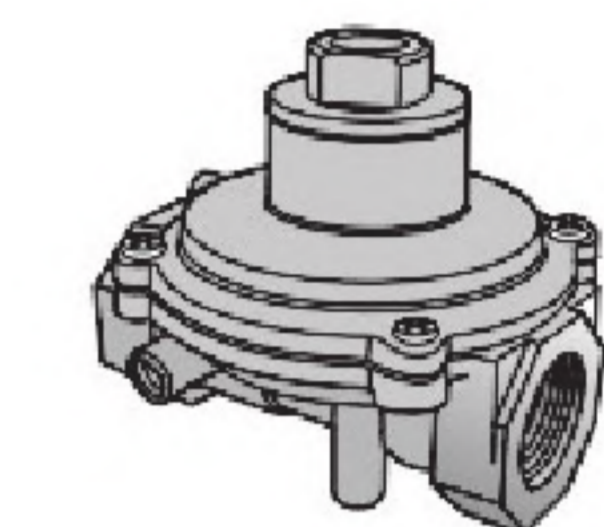
用户手册 (1)



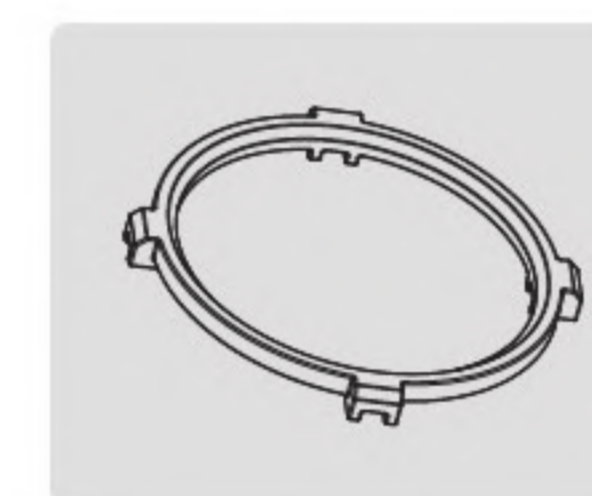
安装手册 (1)



保修卡 (1)



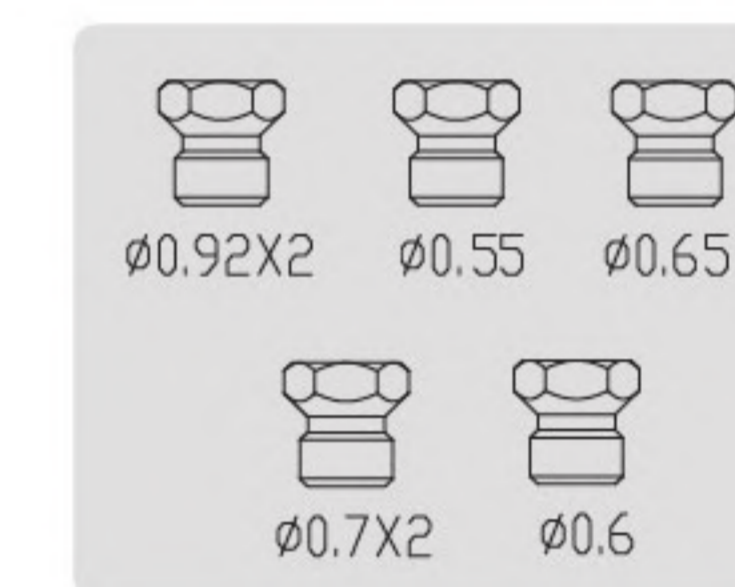
稳压阀 (1)



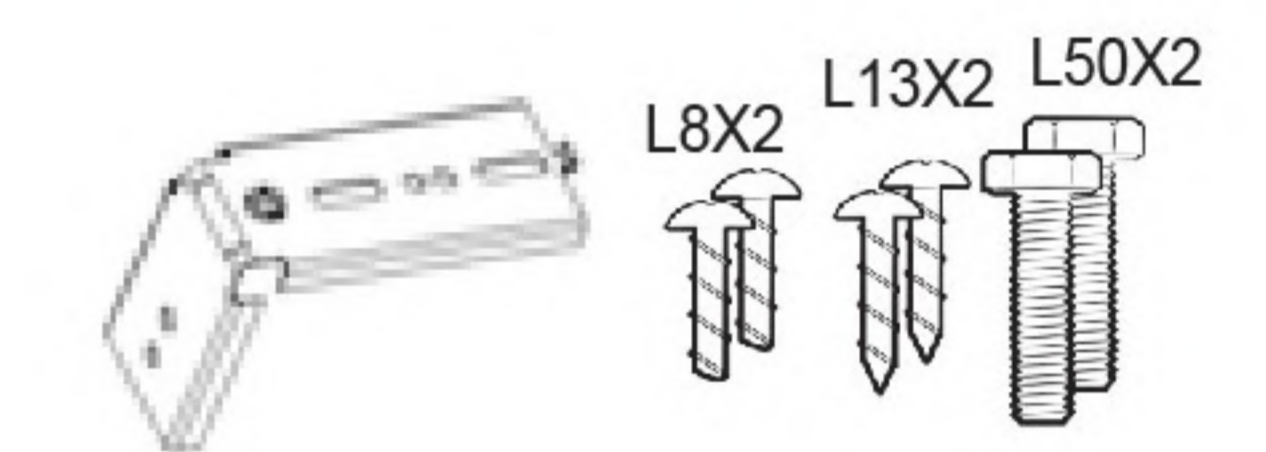
辅助锅支架 (1)



快速指南 (1)



液化石油气喷嘴 (7)



面板安装支架 (2)
螺丝 (6)

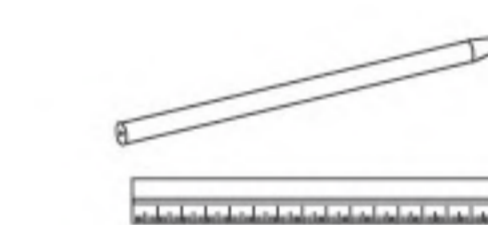
■ 安装需要的工具



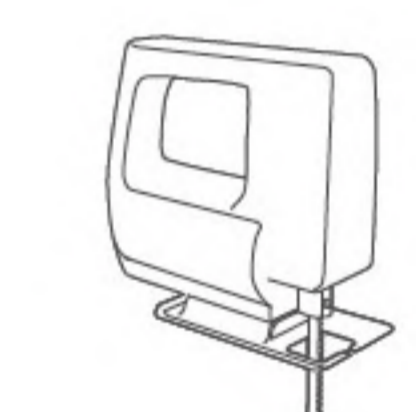
十字螺丝刀



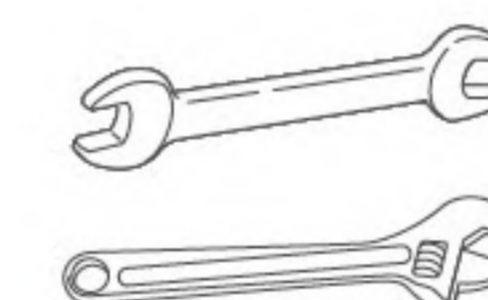
3/16"一字螺丝刀



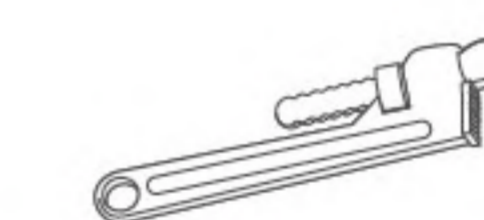
铅笔和尺子



刀锯



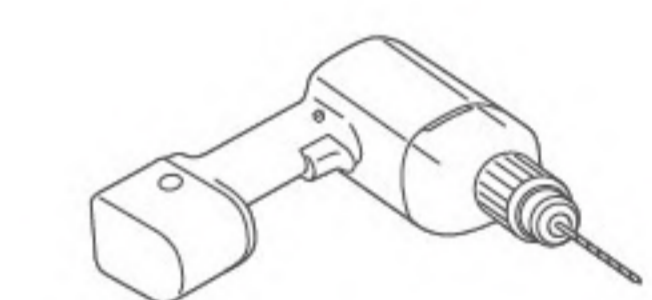
开口扳手或可调扳手



管钳 (2)
(一个备用)



安全眼镜



1/8英寸钻头
和电钻或手摇钻

■ 可能需要的工具/配件

- 燃气开关阀
- 专业的燃气管道密封材料,可抵抗天然气和丙烷作用。
- 柔性金属设备接头 (3/8 NPT)。为了便于安装,建议长度为5英尺,但其它长度也可接受。安装新嵌入式灶具时,切勿使用旧接头。
- 用于连接供气管线 (3/4或1/2 NPT × 3/8 NPT) 的转换接头
- 90°弯接头 (1/2 NPT × 1/2 NPT)
- 用于连接至嵌入式灶具上压力调节器的转换接头 (1/2 NPT × 3/8 NPT)。
- 液体检漏仪或肥皂水。

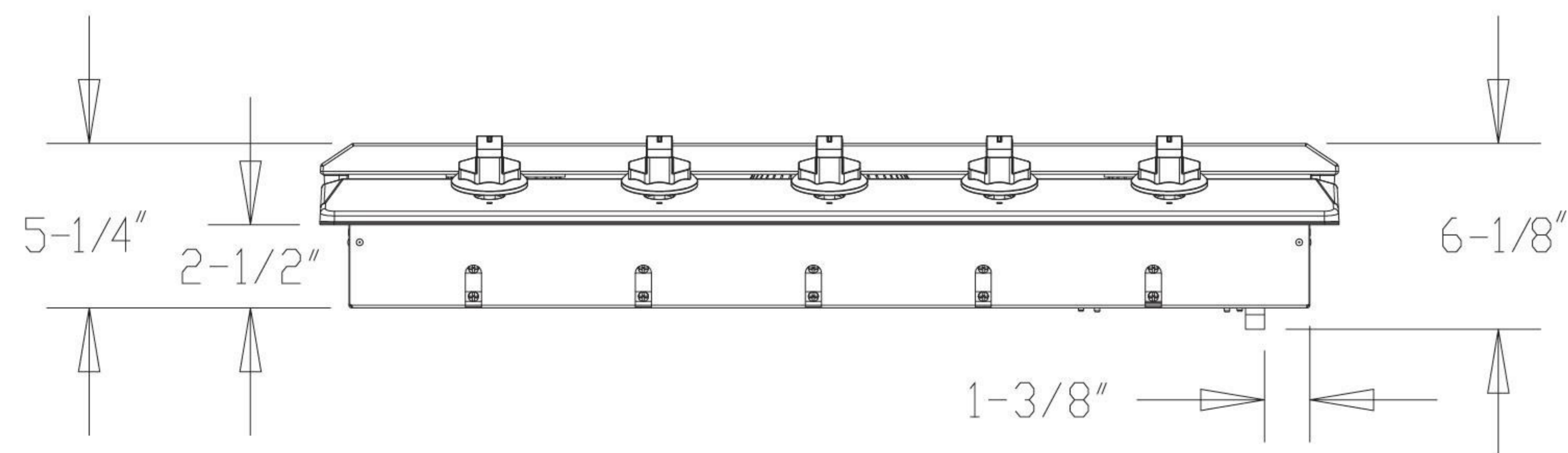
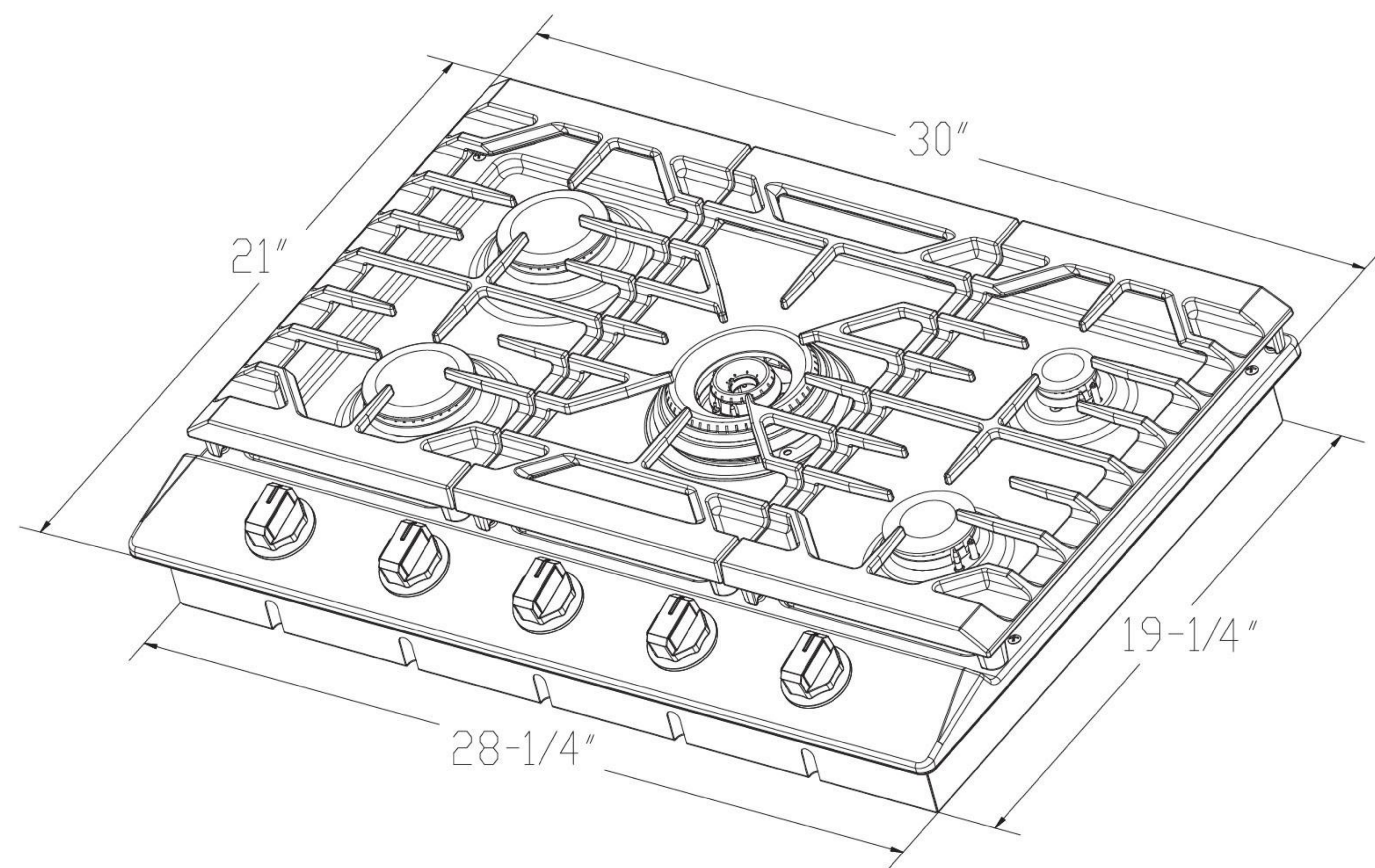
1. 拆除灶具上包装材料。
2. 确保您已收到包装清单中包含的所有零部件。
3. 检查灶具是否完好无损。
4. 检查产品尺寸和安装环境要求（如下所示），确保产品和周围橱柜等不会干涉。

如果您的产品在运输过程中损坏，或者存在零件缺失，请联系您当地零售商或通过 serviceusa@fotile.com 和 1-888-315-0366 联系方太服务。

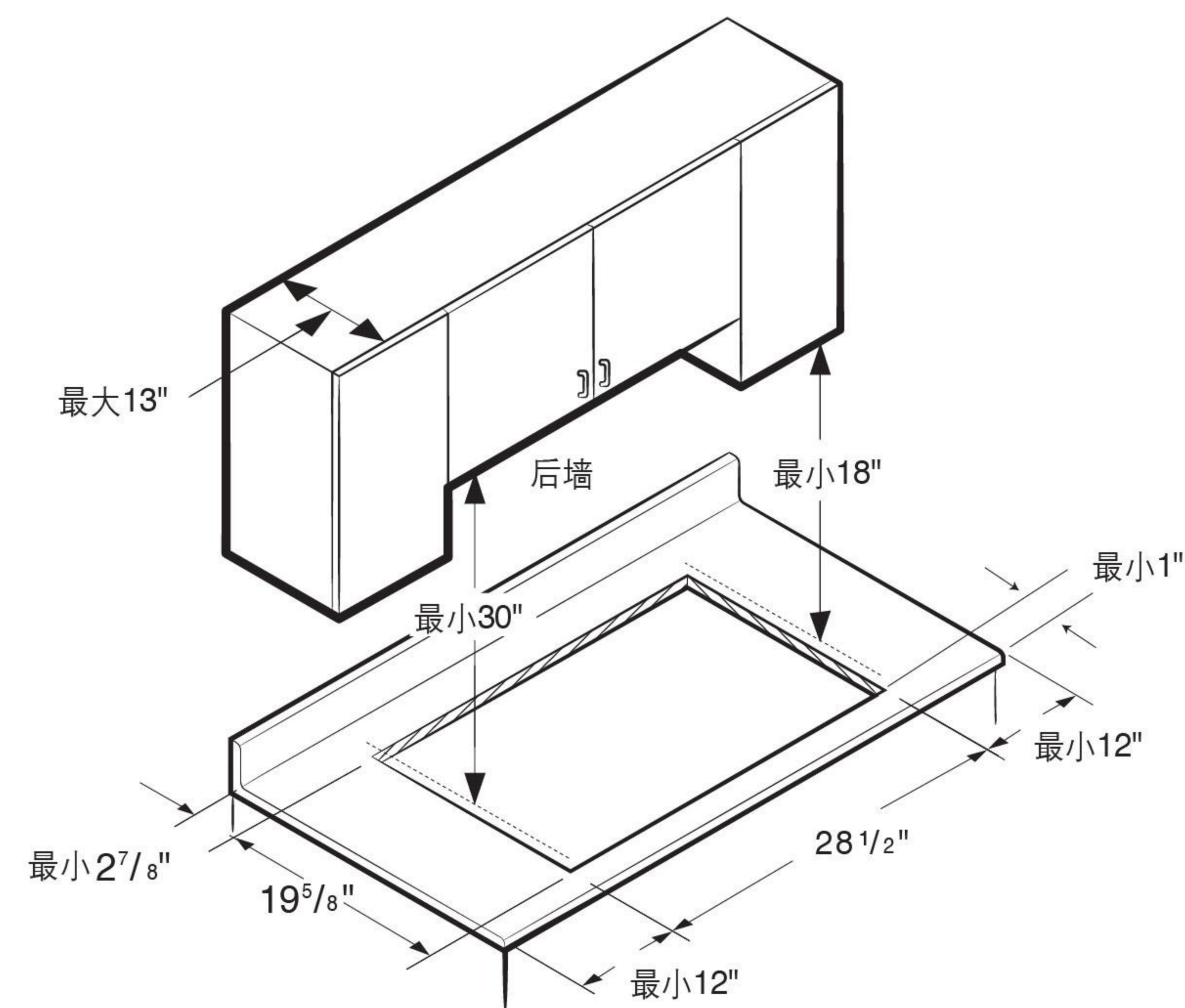
产品尺寸

产品尺寸 (W x D x H) (inch):
30 x 21 x 5 1/4

开孔尺寸 (W x D) (inch):
(Min 28 1/2 - Max 29) x (Min 19 5/8 - Max 20 1/8)



安装环境要求



灶具上方

嵌入式灶具与其上方吸油烟机之间必须保持吸油烟机制造商提供的最小安全距离。相关安全尺寸，请参见吸油烟机安装说明。如吸油烟机制造商没有说明或有易燃物安装在灶具上方（如橱柜、挂架等），则最小安全距离为30英寸（760毫米）。

从产品顶部到侧柜最小垂直间隙为18英寸，产品背面至垂直墙面的最小水平距离为2 7/8英寸，产品侧面至左右两侧可燃物的最小水平距离为12英寸，从橱柜前边缘到产品前侧最小水平距离为1英寸。

如果吸油烟机下方有几台设备，并且其最大安全距离不相同，请按最大距离安装。

灶具底部

所有燃气灶具均要求底部距可燃材料7/16英寸的间隙。

■ 供气要求

警告



爆炸危险

使用新CSA/ETL认可的供气管线。
 安装燃气开关阀
 拧紧所有燃气连接口
 如果连接到液化石油气，请有资质人员确保燃气压力不超过14英寸（36cm）水柱。
 请让专业人员操作，否则会导致死亡、爆炸或火灾。
 专业人员包括：
 持证供暖人员，燃气公司授权人员，以及授权维修人员。

警告

无论使用天然气还是液化石油气，减压阀必须安装在产品的进气口。

提供适当的燃气

该灶具工作适合的气体压力为：天然气4英寸（10mm）的水柱或液化石油气10英寸（25cm）水柱。
 该灶具可以使用天然气或液化气。但出厂设置为天然气，如需使用液化气，请让专业人员进行转换。
 请勿使用其它燃气。
 为了使灶具正常运行，天然气供气压力必须在4英寸和10英寸（10cm和25cm）水柱之间，液化气供气压力必须在10英寸和13英寸（25cm和33cm）水柱之间。
 检查稳压阀是否正常工作，入口压力必须比给定工作（歧管）压力至少大1英寸（2.5cm）。

■ 电气要求

警告



电击危险

插入三孔接地插座
 请勿拆下接地线
 请勿使用适配器
 不得使用延长电线
 未能遵守这些说明可能会导致伤亡、火灾或触电

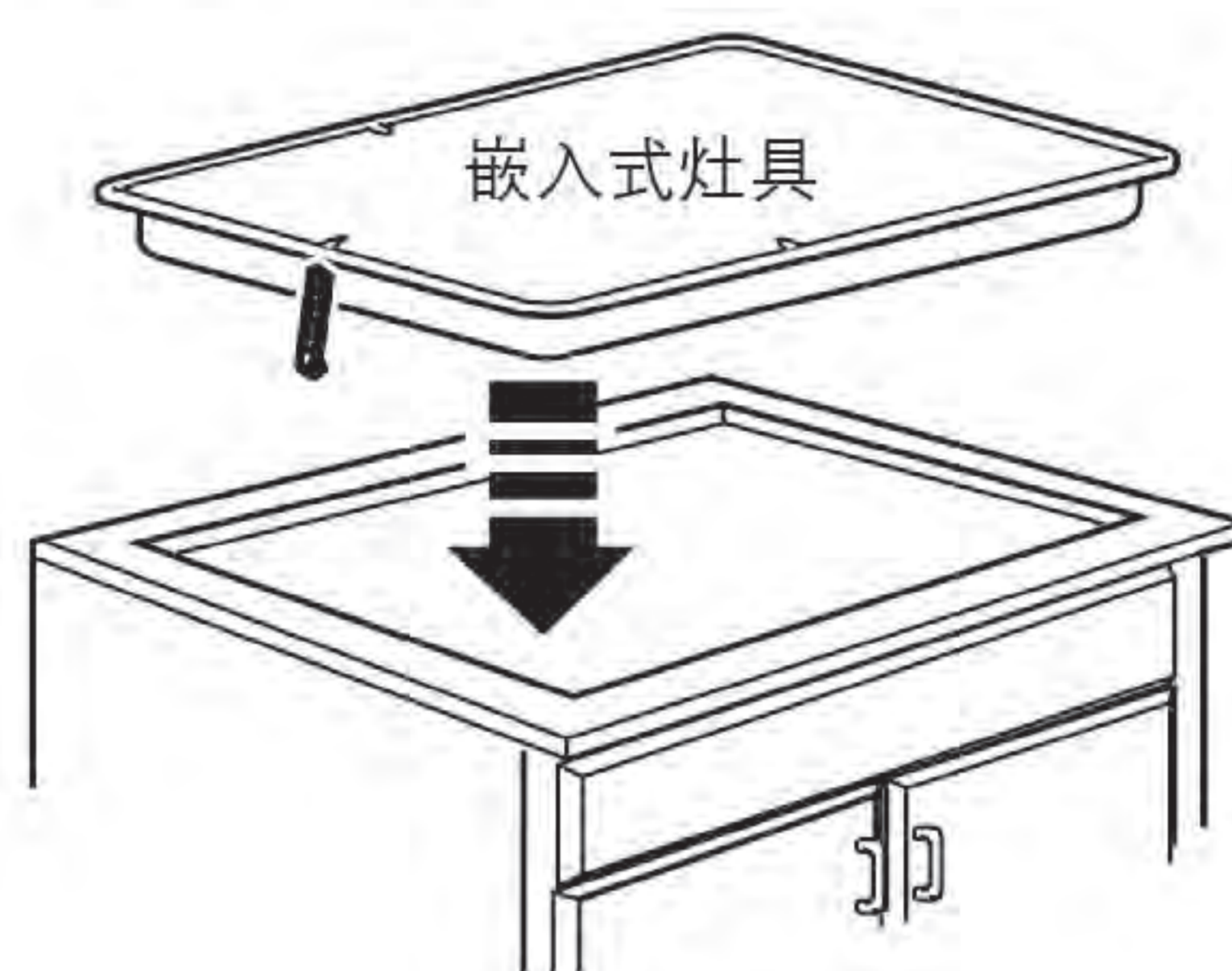
电源插座至少距离橱柜台面以下12英寸（30.5cm）
 该产品的适用120V，60Hz的交流电
 灶具的电线配有接地导体，必须使用三脚插座且该插座应按当地法规和条例正确安装和接地。
 如果产品发生故障或损坏，正确接地可降低电击风险。

警告

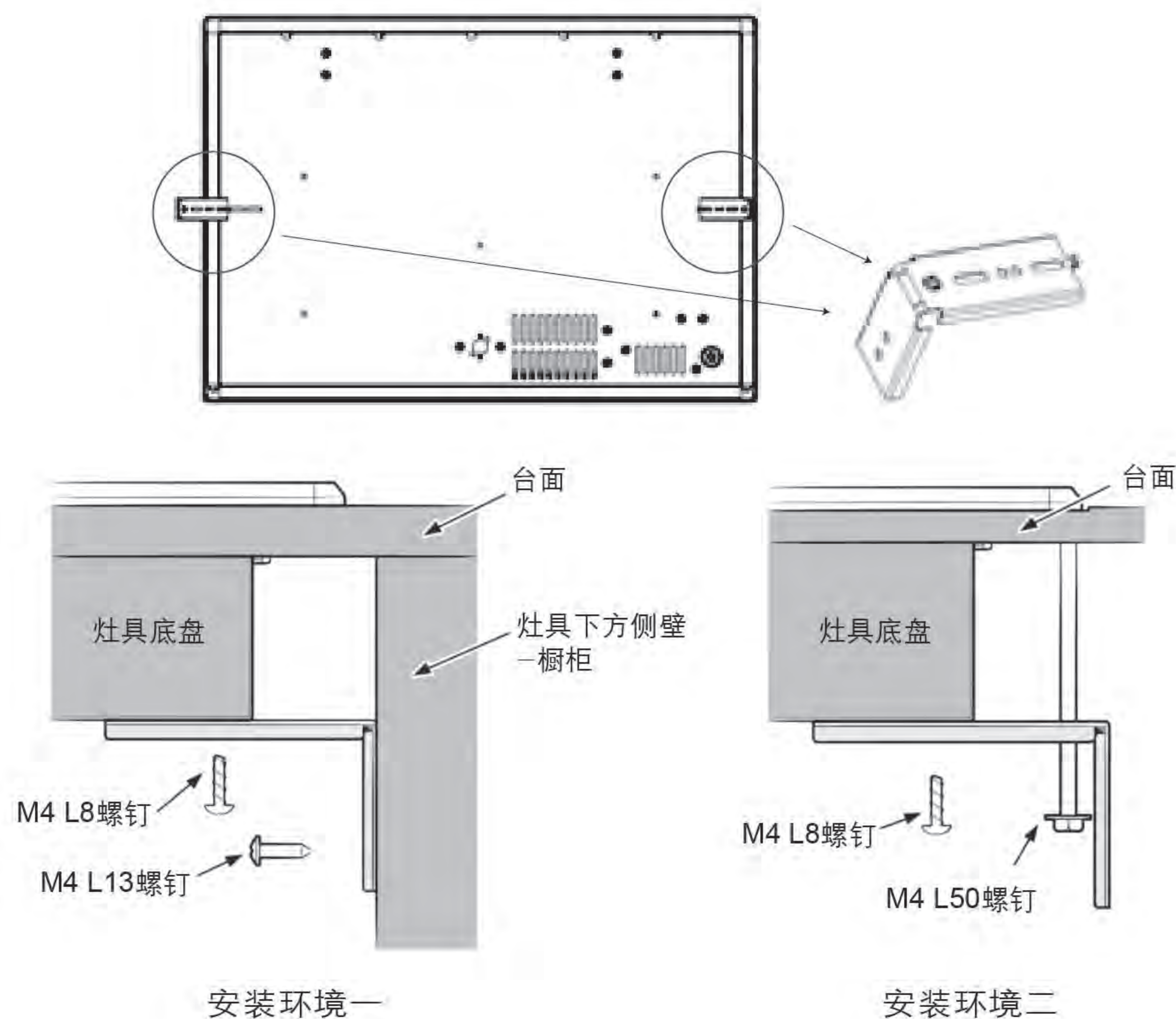
在安装或操作灶具前，请仔细阅读前面的重要安全说明，并严格按照以下步骤安装。安装、维修或维护不当会导致人身伤害或财产损失。

步骤1：放置灶具

- 确认橱柜下方燃气开关阀和电源插座的位置。
- 将灶具放入台面的开孔中，确保灶台面前边缘与嵌入式灶具前边缘平行。
- 最后再检查一次所有安装环境是否满足要求。
- *注意安装过程中触碰点火针或热电偶至其损坏。



- 如下图所示的2种安装方式，选择其中一种将灶具用2个面板安装支架固定在橱柜上。

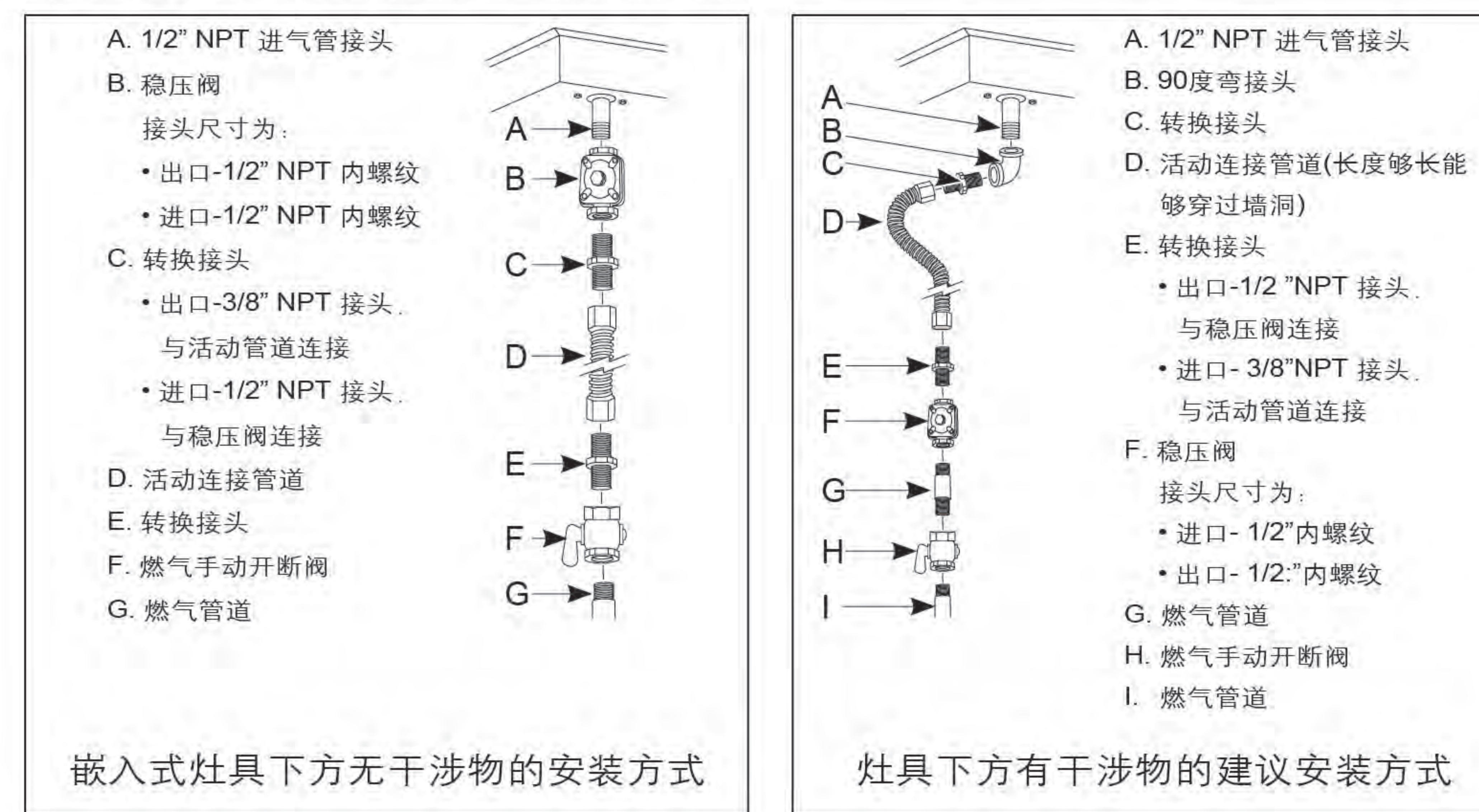


步骤2：连接气源

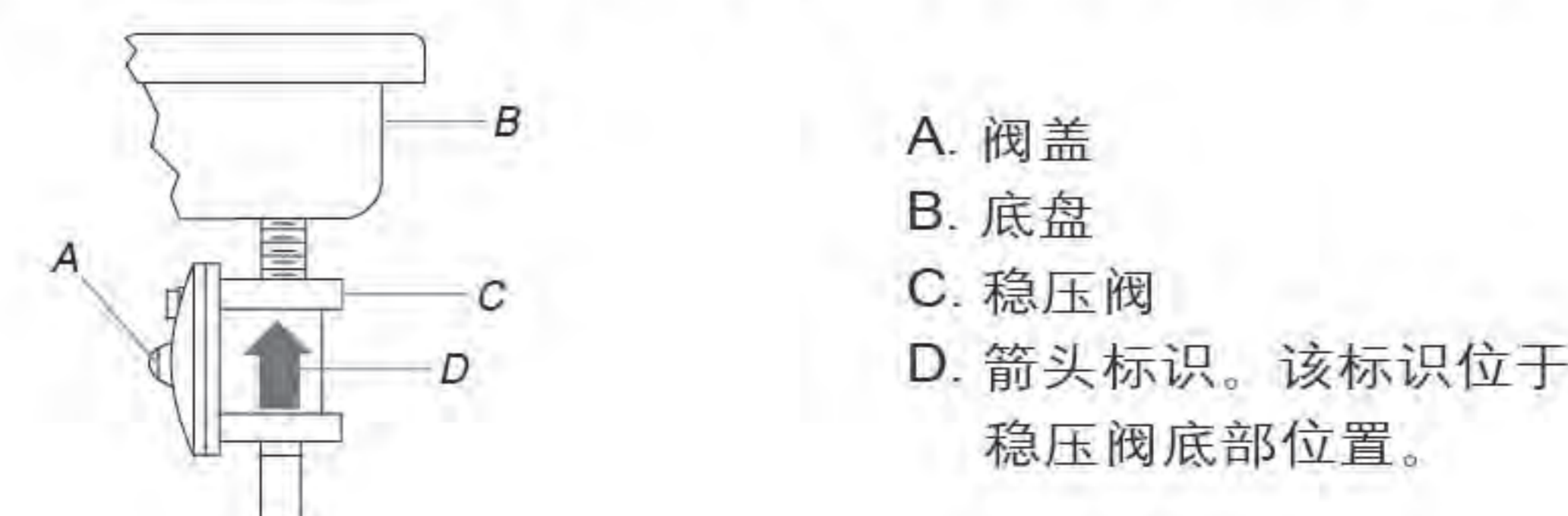
警告

请在拆下旧灶具前将燃气开关阀置于关闭状态，直至新灶具连接完成。
 由于硬管限制了嵌入式灶具的移动，建议使用CSA认证的柔性金属设备接头，除非当地法规要求硬管连接。
 安装新灶具时，切勿使用旧接头。如使用硬管连接，请小心对准并在连接完成后，不能移动灶具。
 拧紧所有转接头以防止灶具或供应管线漏气。
 检查燃气泄漏：为了防止死亡、人身伤害、爆炸和/或火灾，请勿使用火焰检查燃气泄漏。当使用大于1/2 psig测试压力对住宅供气系统进行压力测试时，将灶具和燃气开关阀与供气管路断开。当使用1/2 psig或更低测试压力来测试燃气供应系统时，只需关闭燃气开关阀即可。

- 方太燃气灶出厂适用气源为天然气。如需使用液化石油气，请在使用前进行转换。
- 为防止燃气泄漏，请使用专业的燃气管道密封材料。
- 将燃气稳压阀（包含在灶具中）连接到灶具管接头入口。安装紧凑，调节器可以安装在短接管上游，关闭阀和嵌入式灶具之间的任何地方。为了获得最佳性能，可将调节器尽可能靠近嵌入式灶具燃气入口，从而将燃气压力损失降至最低。
- 完成所有连接后，确保所有灶具旋钮处于关闭位置，并打开燃气开关阀。
- 在所有接头和连接处使用肥皂水检查燃气泄漏。



- 稳压阀安装
 安装稳压阀时，要使箭头指向灶具底部方向，并且要安装在能够接触到稳压阀阀盖的位置。

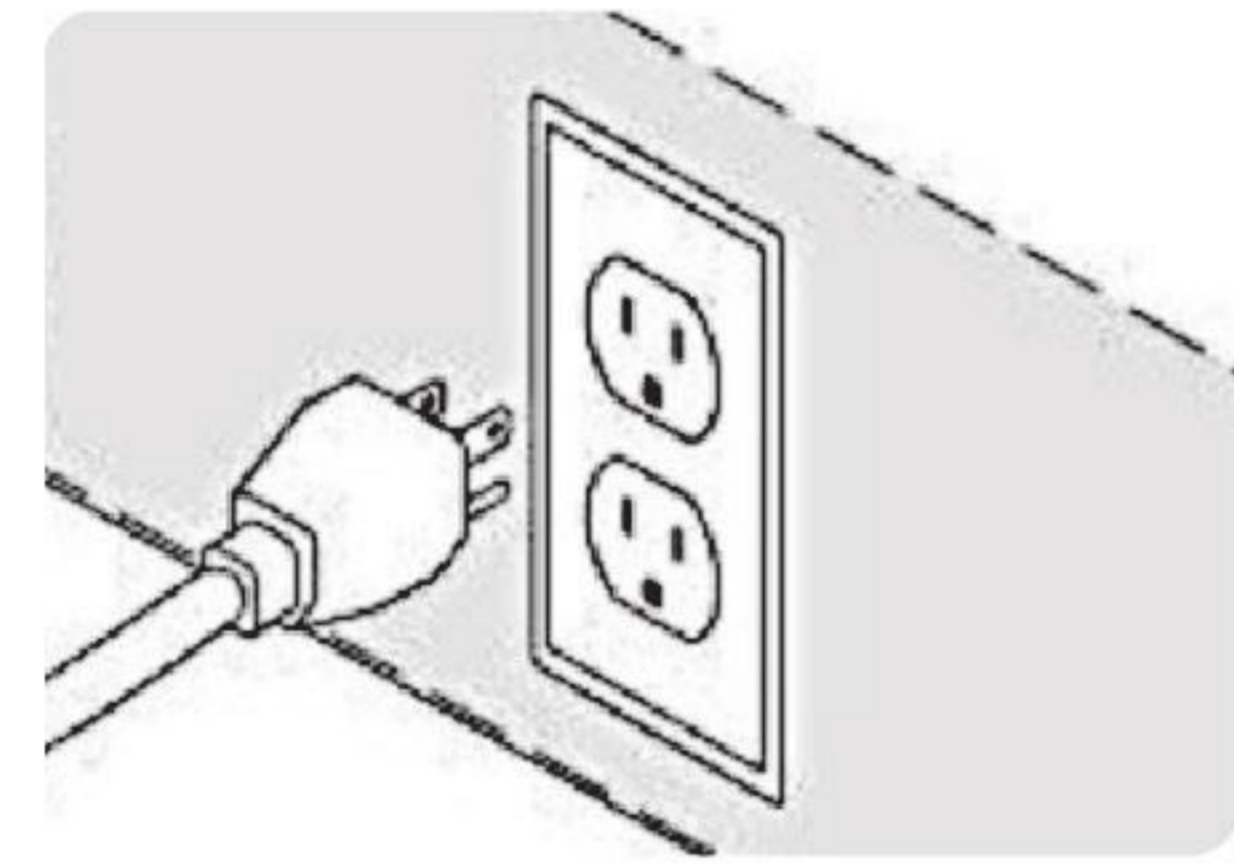


■ 步骤3：连接电源

⚠ 警告

请勿自行改装出厂配备的电源线，自行改装可能会导致短路或过载。

- 所有灶具均配备电源线，电源线连接在灶具底部。
- 插上电源线。确保插座符合当地或国家电气规范



■ 步骤4：炉头安装指南和锅支架安装



中心：21000BTU三环燃烧器



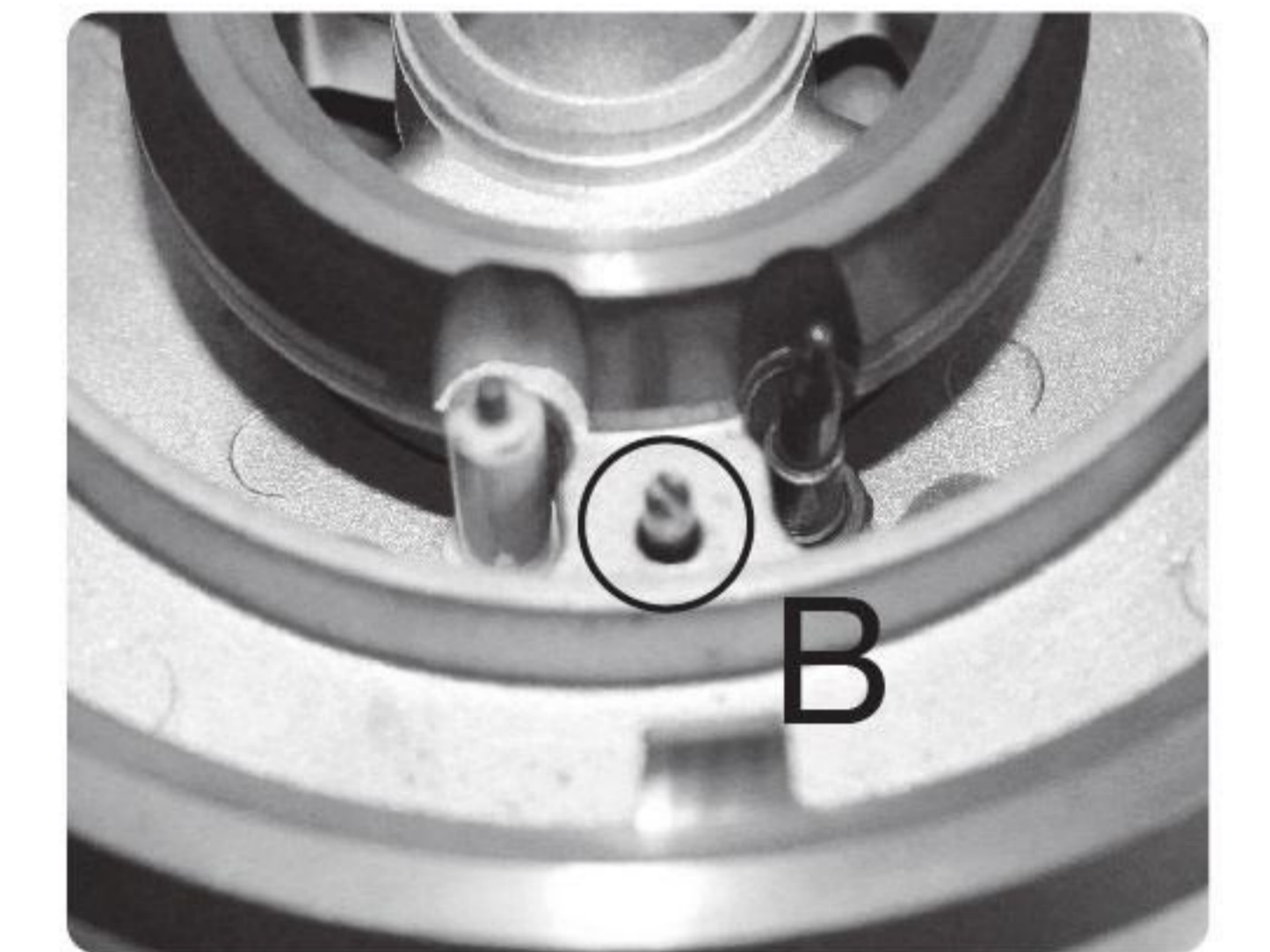
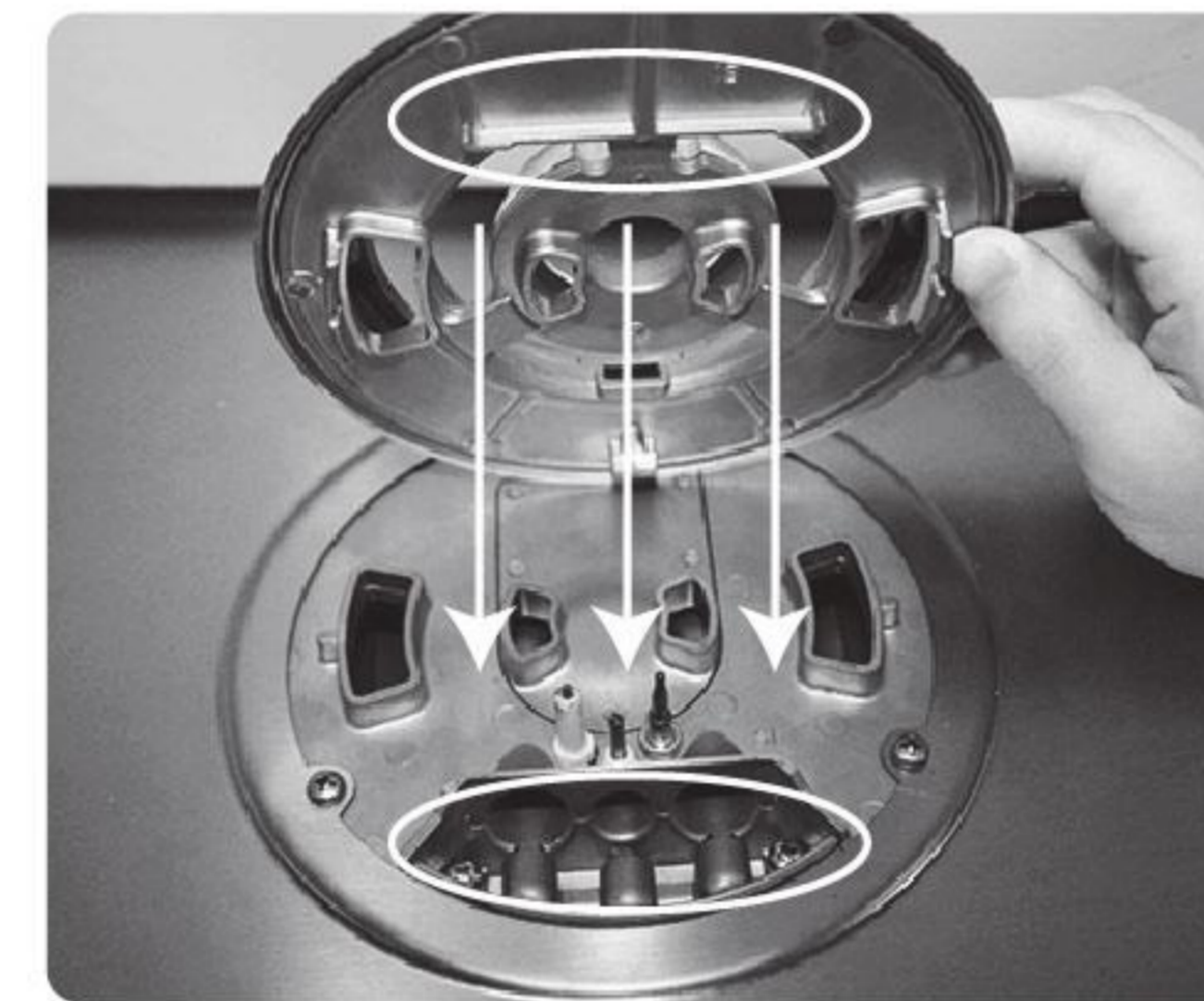
左前/左后：13000/9500BTU快速燃烧器 右前：6000BTU中速燃烧器 右后：3000BTU辅助燃烧器

三环主燃烧器组件安装：

1. 拿出三环喷火器，银色面朝下，找到小孔“A”。



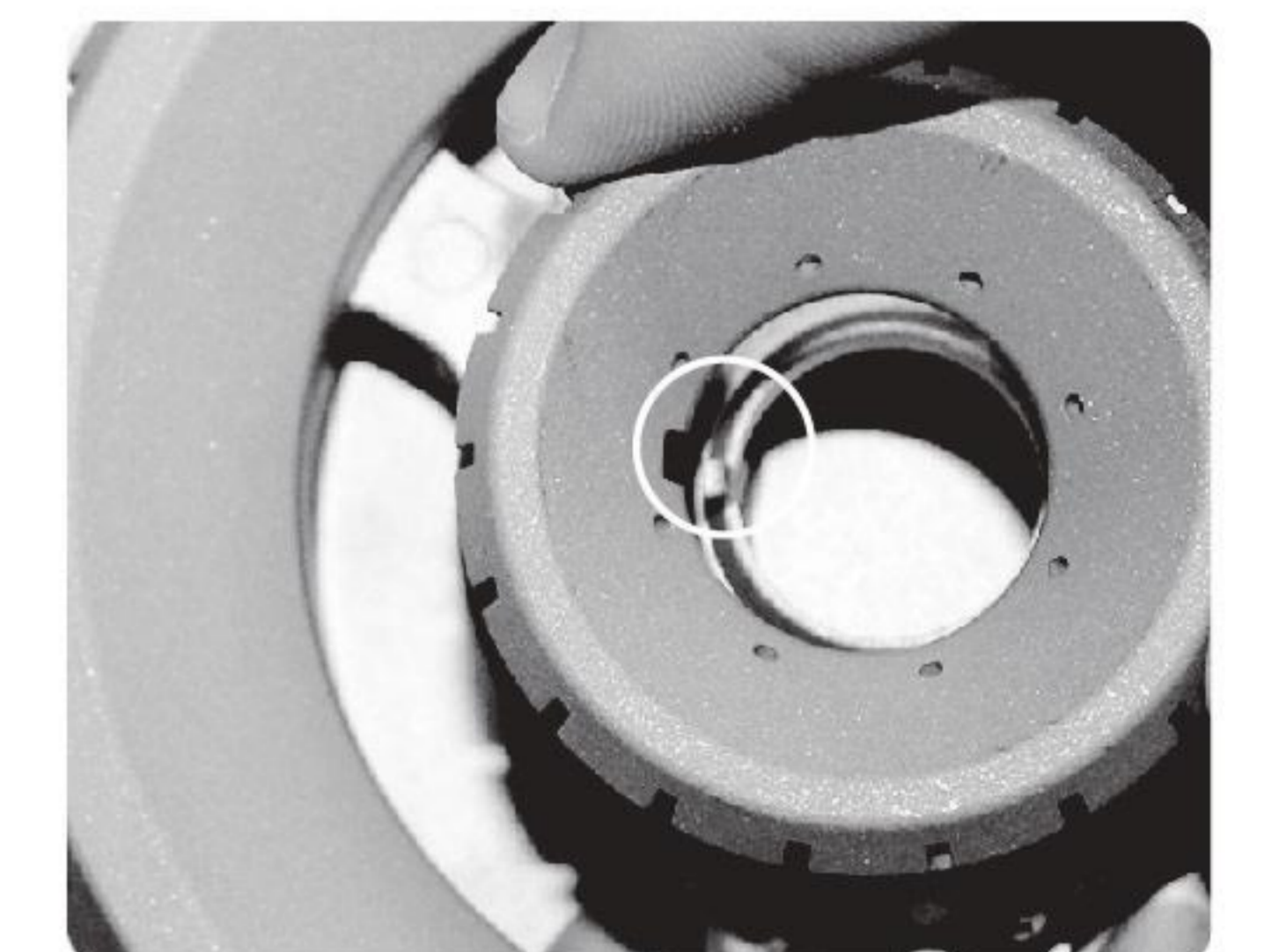
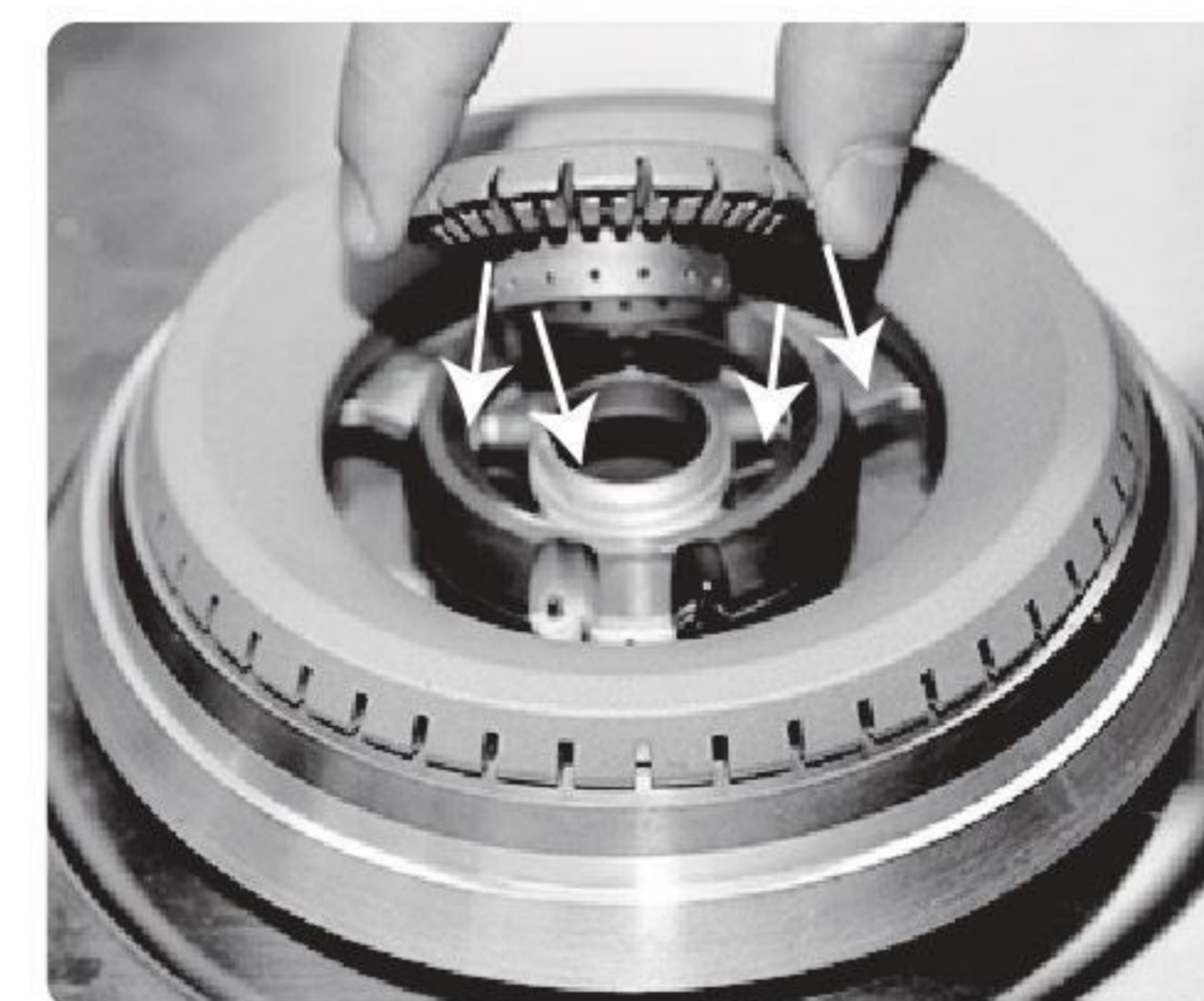
2. 将小孔“A”跟底杯上的定位针“B”对齐，把三环喷火器放置在面板上，左右滑动，确保三环喷火器不会晃动。



3. 把外环火盖放置在三环喷火器上，放置后可轻轻转动，确保外环火盖放置到位。外环火盖可任意转动。



4. 把内环火盖放置在三环喷火器上，确保缺口对齐。内环火盖放置后不可转动。



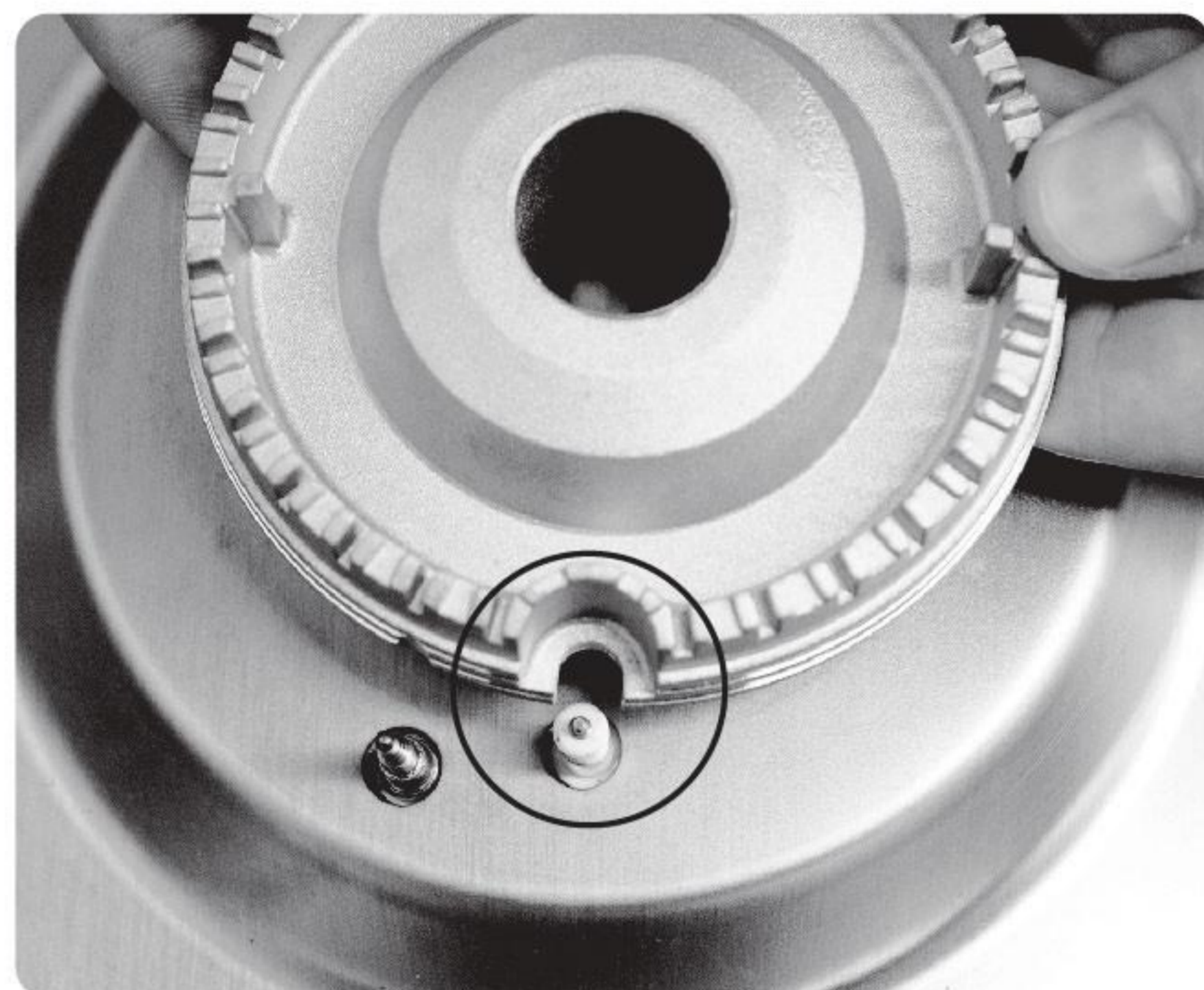
5. 检查三环燃烧器/火盖是否放置到位，如果喷火器/火盖放置不平或不稳，必须将其取下并重新放置。

其他炉头安装指南：

1. 通过大小辨别快速/中速/辅助喷火器和火盖。
2. 拿出喷火器，找到缺口“C”，使它与点火针“D”处于同一边。



3. 把喷火器中的缺口和点火针对齐，把喷火器放置在面板上，左右滑动，确保喷火器不会晃动。

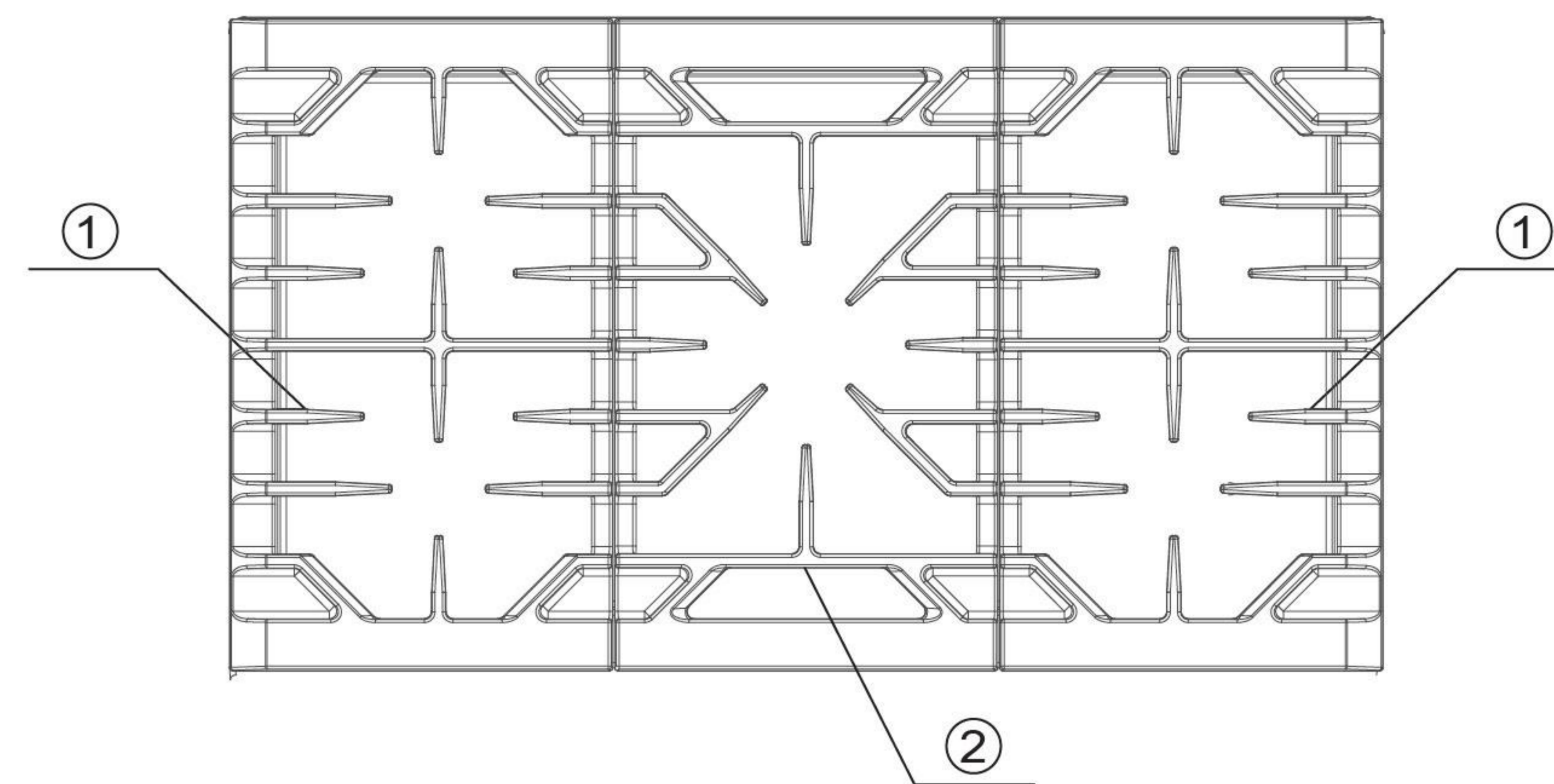


4. 把火盖放置在喷火器上，放置后轻轻转动，确保火盖放置到位。



5. 检查燃烧器/火盖是否放置到位，如果喷火器/火盖放置不平或不稳，必须将其取下并重新放置。

锅支架安装

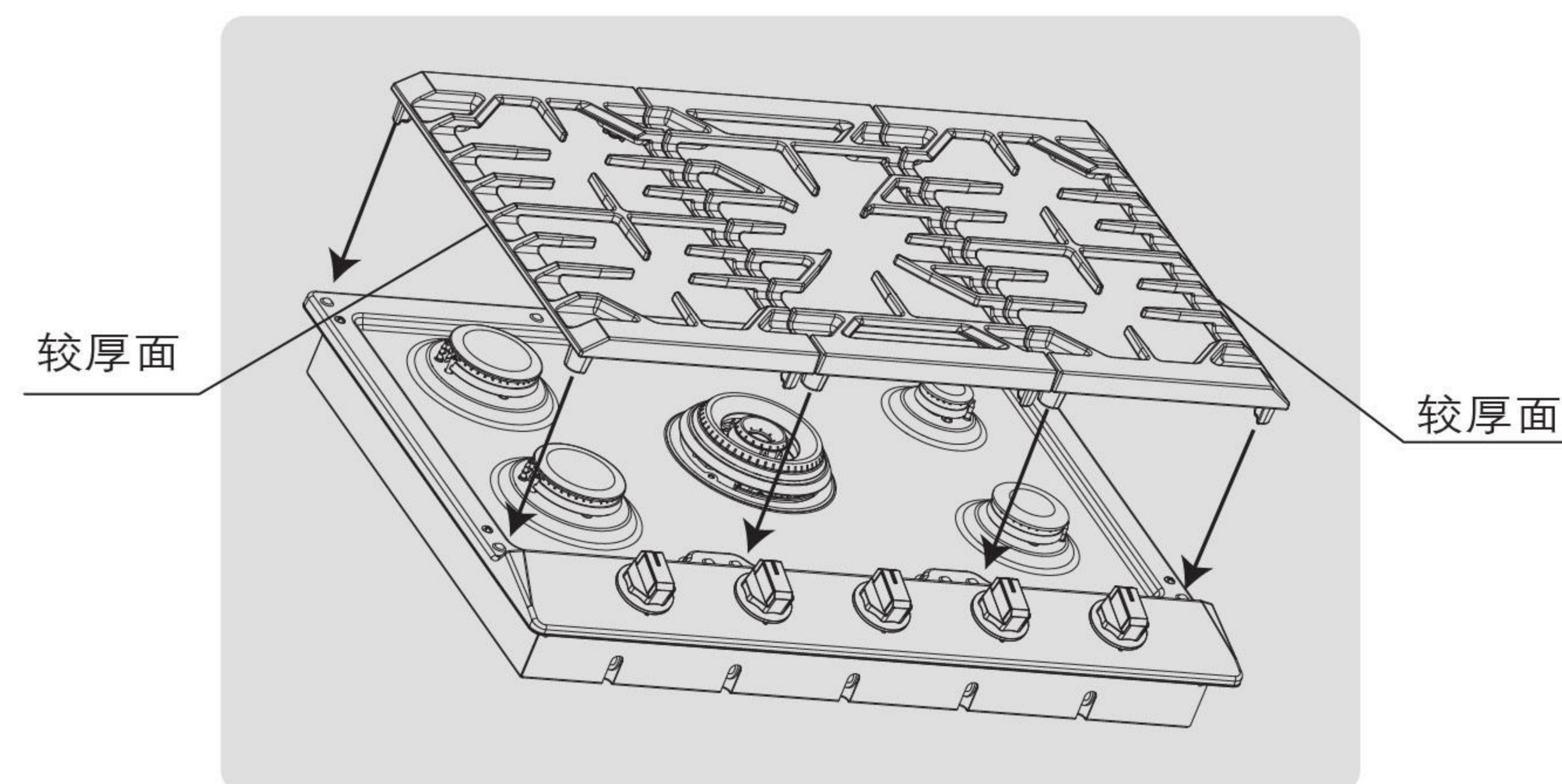


① 左/右锅支架(相同, 可左右调换) ② 中心锅支架

锅支架分为左/中/右三个，为了获得更好的稳定性，请确保三个锅支架放置在正确的位置。

请按照以下步骤安装锅支架：

1. 取出三个锅支架，找出中心锅支架。(左右锅支架相同，可调换)
2. 轻轻放下中心锅支架，使中心锅支架的支撑腿放置在面板上的凸台中。
3. 取出另外两个锅支架中的任意一个，将较厚的一侧与灶具的外侧对齐。
4. 轻轻放下，使锅支架的支撑腿放置在面板上的凸台中。
5. 对另外一个锅支架做相同的操作。
6. 如果安装正确，三个锅支架不会相互影响。



步骤5：检查点火和火焰质量

警告

如果在15秒内没有点火成功，请将旋钮转到OFF（关闭位置）并等待60秒后再尝试点火。该产品配有急速点火装置，当旋钮松开时，点火器将继续保持点火状态1-3秒，请勿立即触碰点火针以避免触电。

检查点火

- 该产品配有急速点火装置，只需将旋钮向下按压到底并逆时针旋转至最大火，您会听到咔嚓声，这表明点火系统工作正常。
- 当空气从供气管线中排出后，燃烧器会在3-5秒内点燃，咔嚓声将在1-3s内停止。
- 燃烧器点燃后，可任意转动旋钮到您想要的位置。
- 检查所有燃烧器是否都能正常点火。

检查火焰质量

- 目测火焰质量，正常燃烧器火焰应如下图所示。
- 检查所有燃烧器是否都能正常点火。



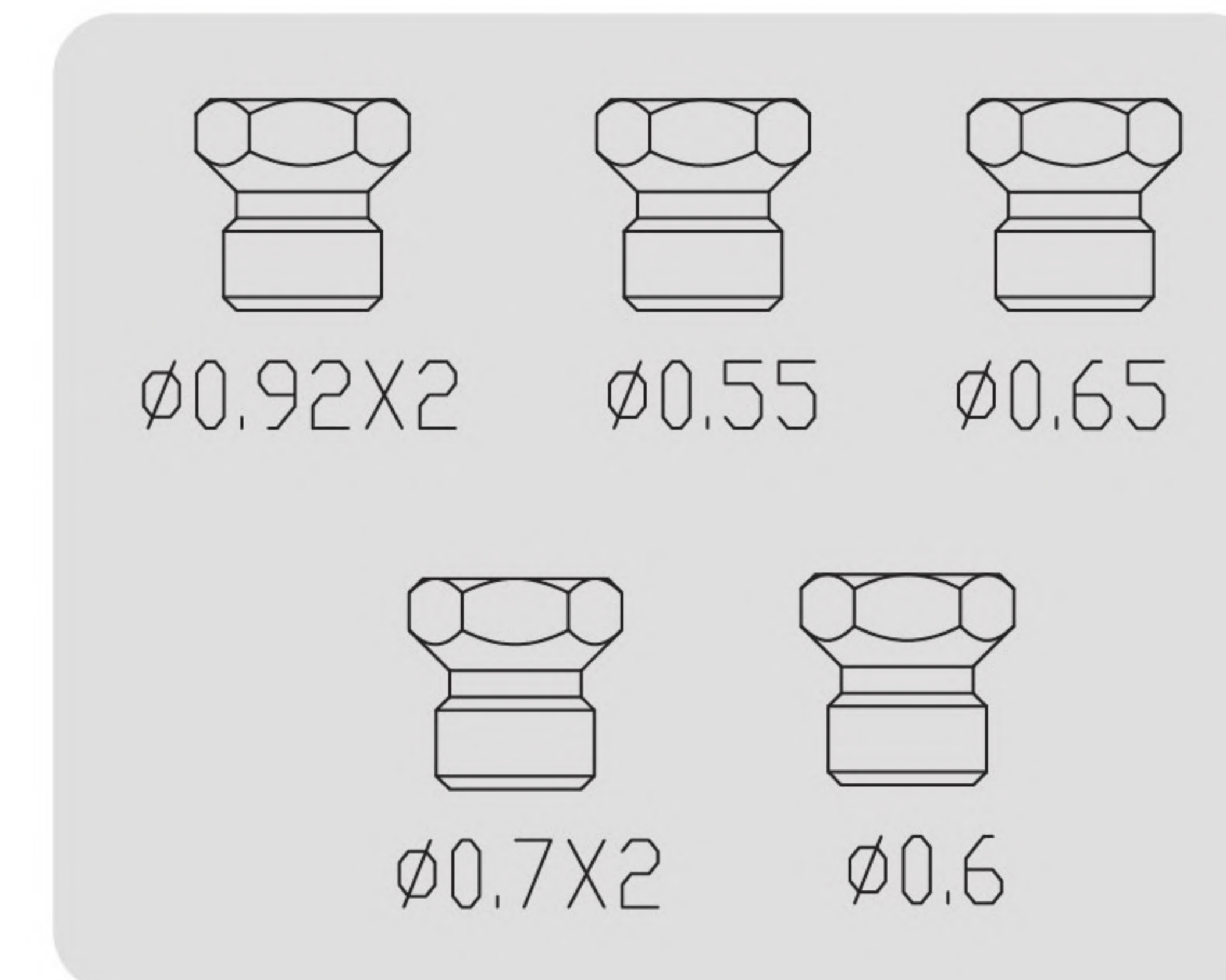
(A) 柔和蓝色火焰—天然气正常



(B) 火焰外锥上有黄色火焰尖端—丙烷气正常

方太灶具出产配置均为天然气，如需使用液化石油气，请先进行转换。包装中配有液化石油气转换套件（一套大小合适的燃烧器喷口，压力调节器可用于天然气和液化石油气），转换时请遵守说明。

液化石油气转换套件



燃烧器喷口尺寸和输出额定值 (WCP的液化石油气[丙烷]10)		
燃烧器位置	热率	孔径[mm]
右前	4500	0.65
左前	9000	0.92
右后	3000	0.55
左后	9000	0.92
中心	15000	内环：0.6/外环：0.7(2件)

所需工具



可调扳手



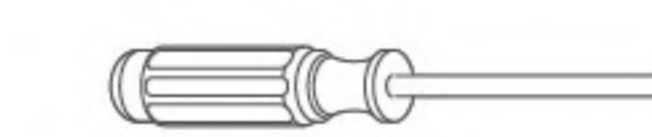
9/32* 开口扳手



螺母旋具：9/32英寸或7mm



十字螺丝刀



3/16"一字螺丝刀

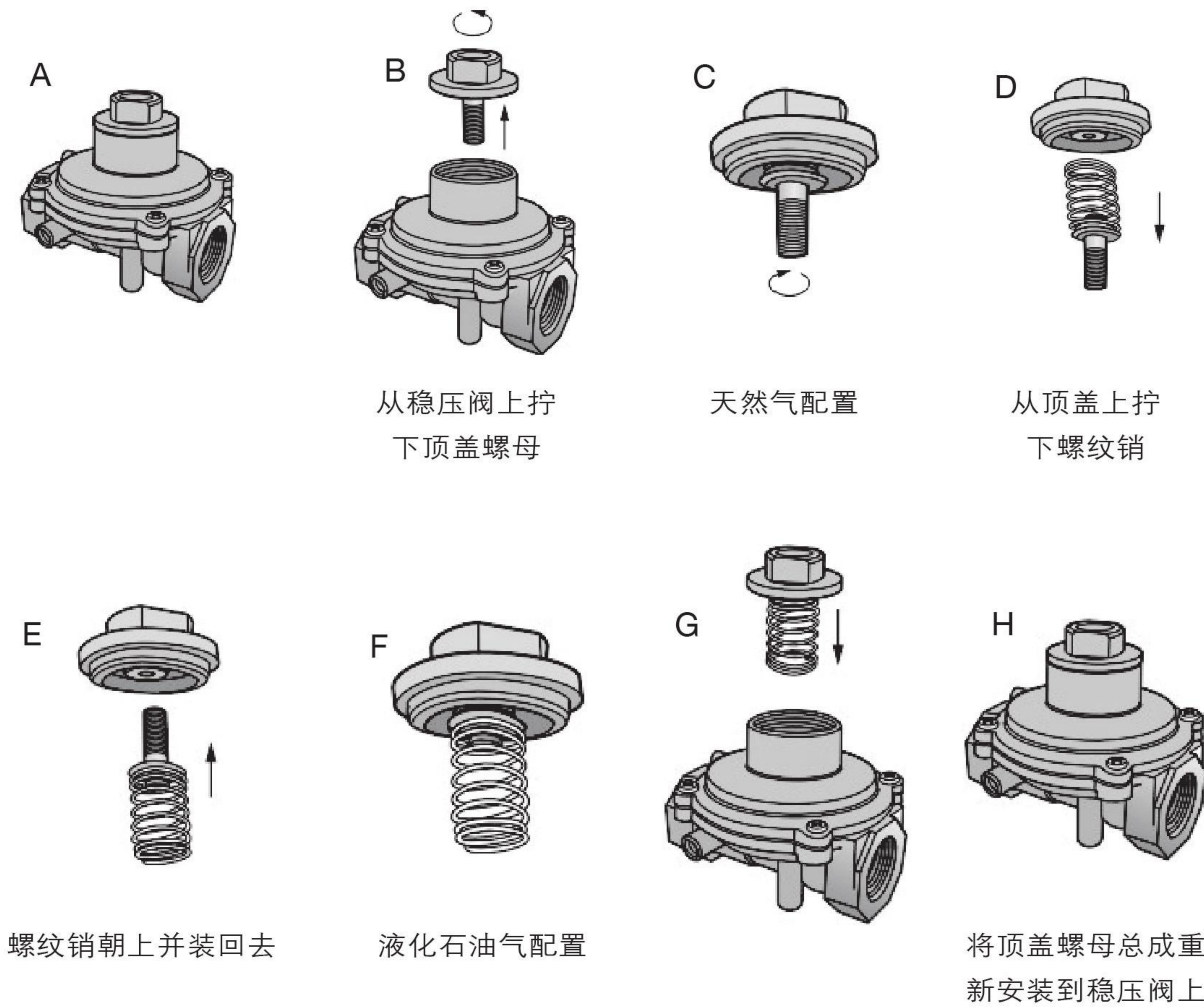
转换前，请先：

1. 断开电源：拔下嵌入式灶具电源线。
2. 关闭灶具供气：关闭燃气开关阀。

警告

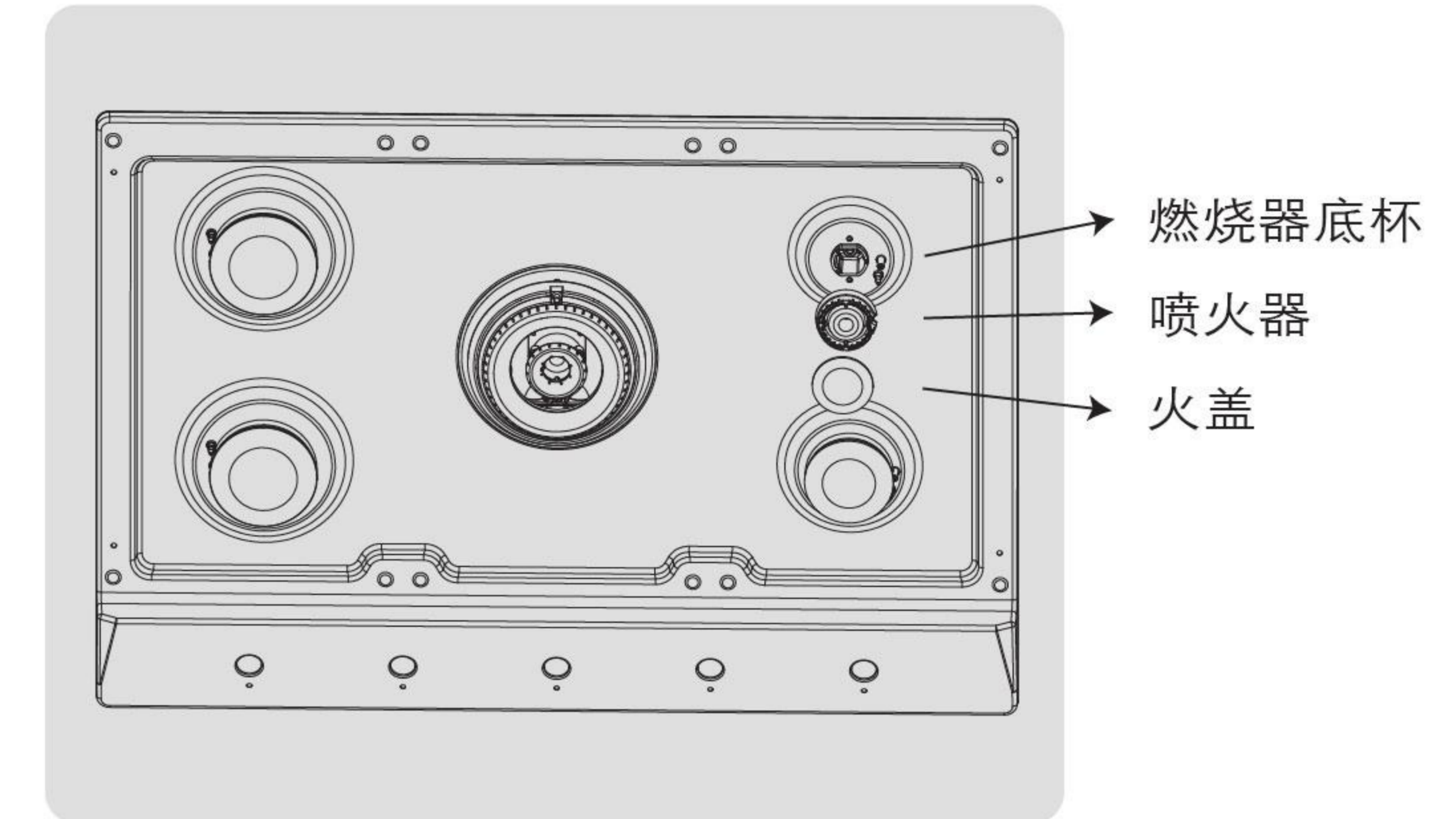
请勿在稳压阀和燃烧器喷嘴转换完成前使用不符合气源的灶具，否则可能会导致大火焰和有毒烟雾，从而导致严重伤害。
转换必须由专业人员进行，不遵守可能导致严重伤害或财产损失。

1. 按照以下说明转换稳压阀

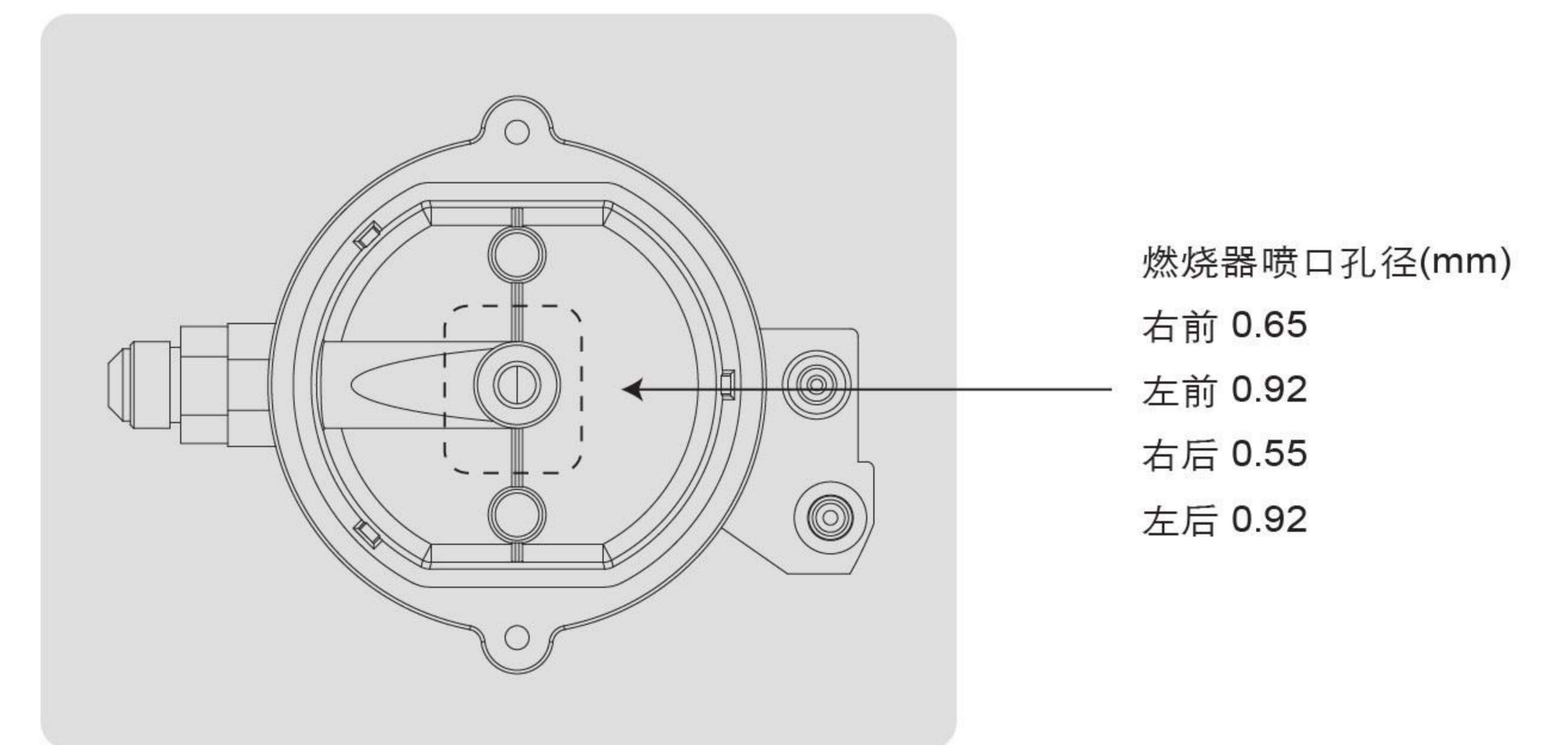


2. 按照以下说明转换燃烧器喷嘴

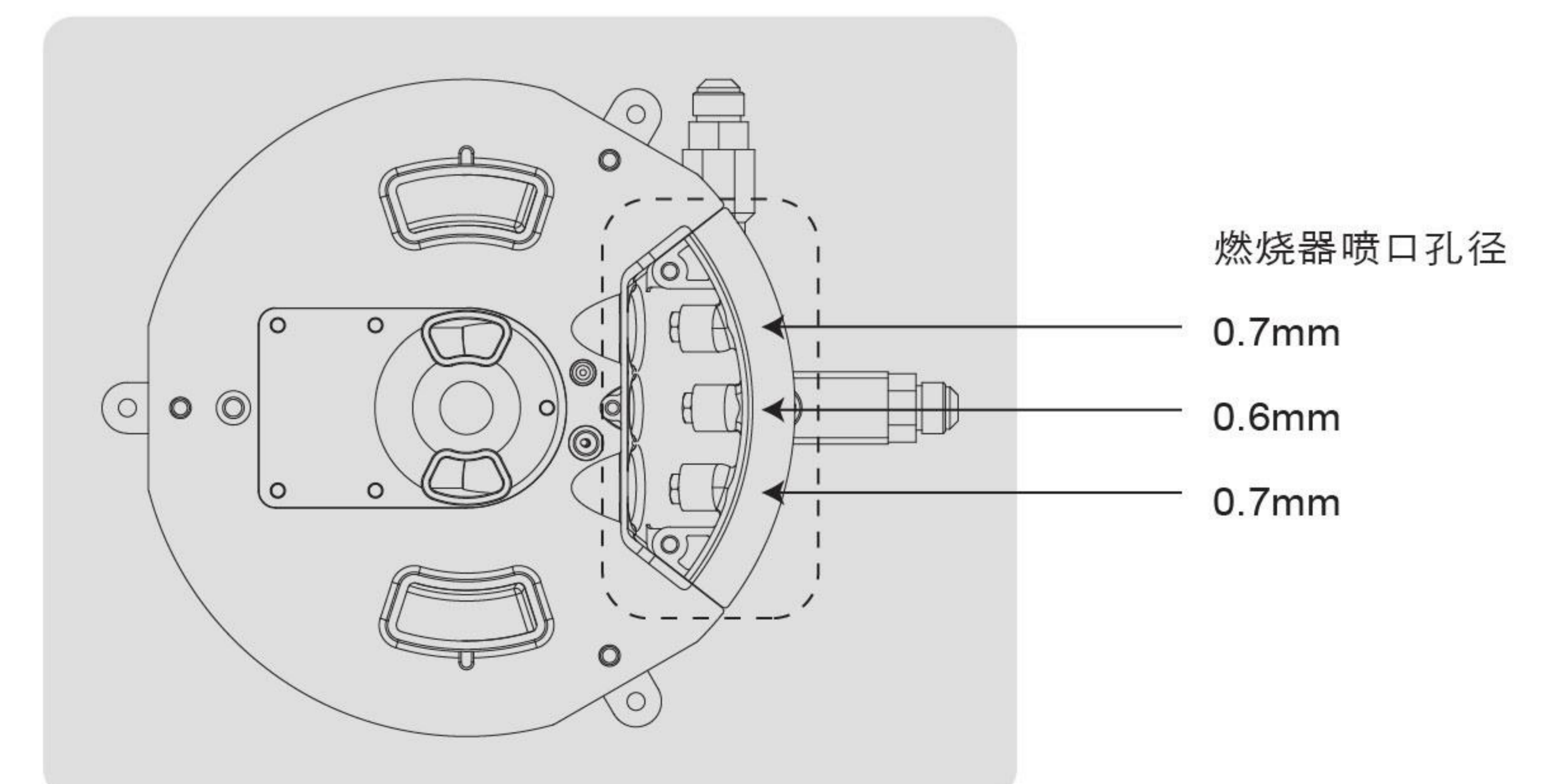
请保存换下的燃烧器喷嘴，以便将来转换回天然气。
步骤1:从灶具的燃烧器底杯上取下火盖和喷火器。



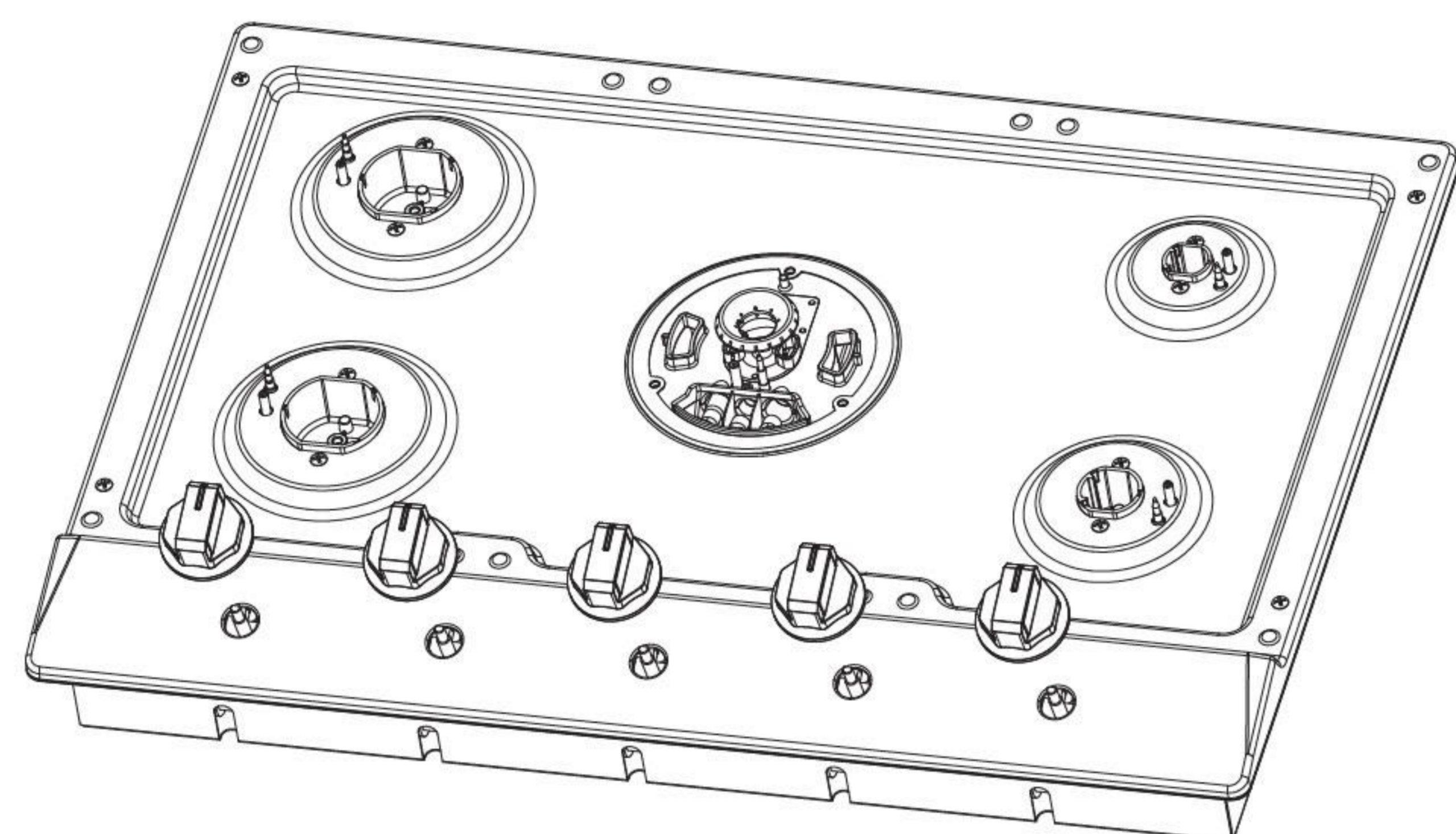
步骤2:使用9/32英寸或7mm螺母旋具，将快速/中速/辅助燃烧器的原喷嘴从燃烧器底部拆除，顺时针慢慢拧紧，不能过度用力。将喷嘴更换成液化石油气喷嘴。



步骤3:用十字螺丝刀将稳流器取下，后使用9/32英寸或7mm开口扳手，将中心燃烧器喷嘴从燃烧器底杯拆除，并更换液化石油气燃烧器喷嘴。

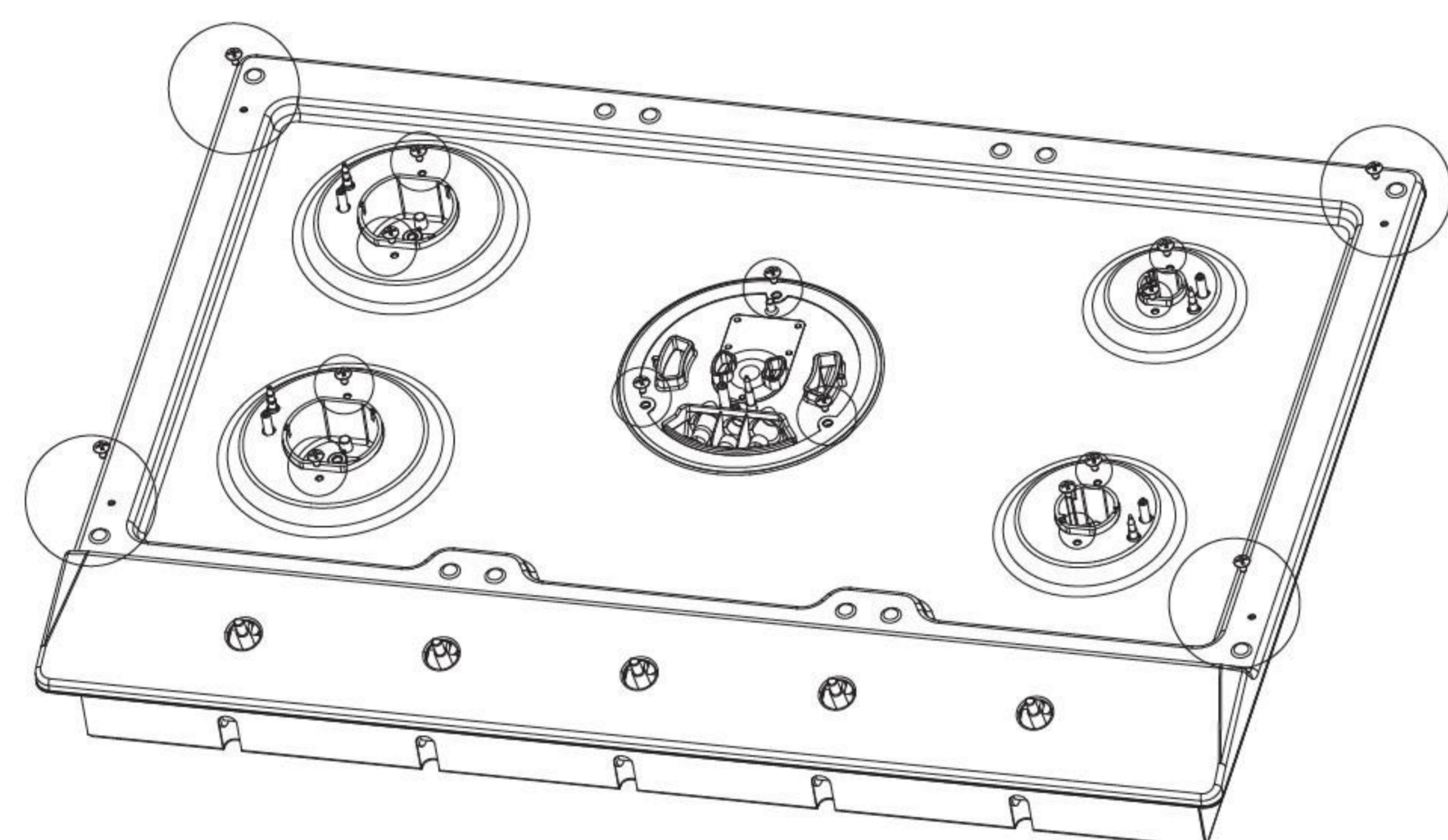


步骤4:将面板上的五个旋钮依次拿开。

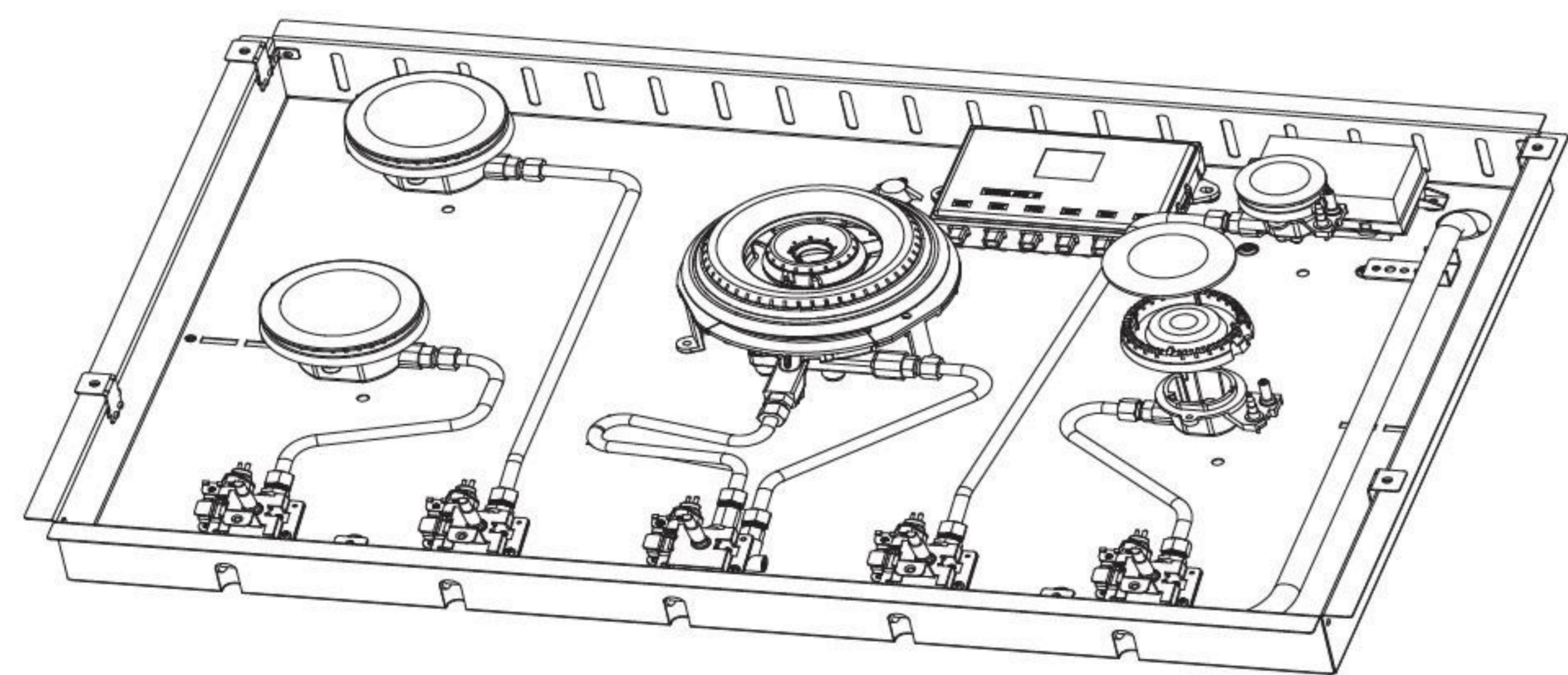


步骤5:拆卸面板

用十字螺丝刀将面板螺钉卸掉（共15颗），面板移开。

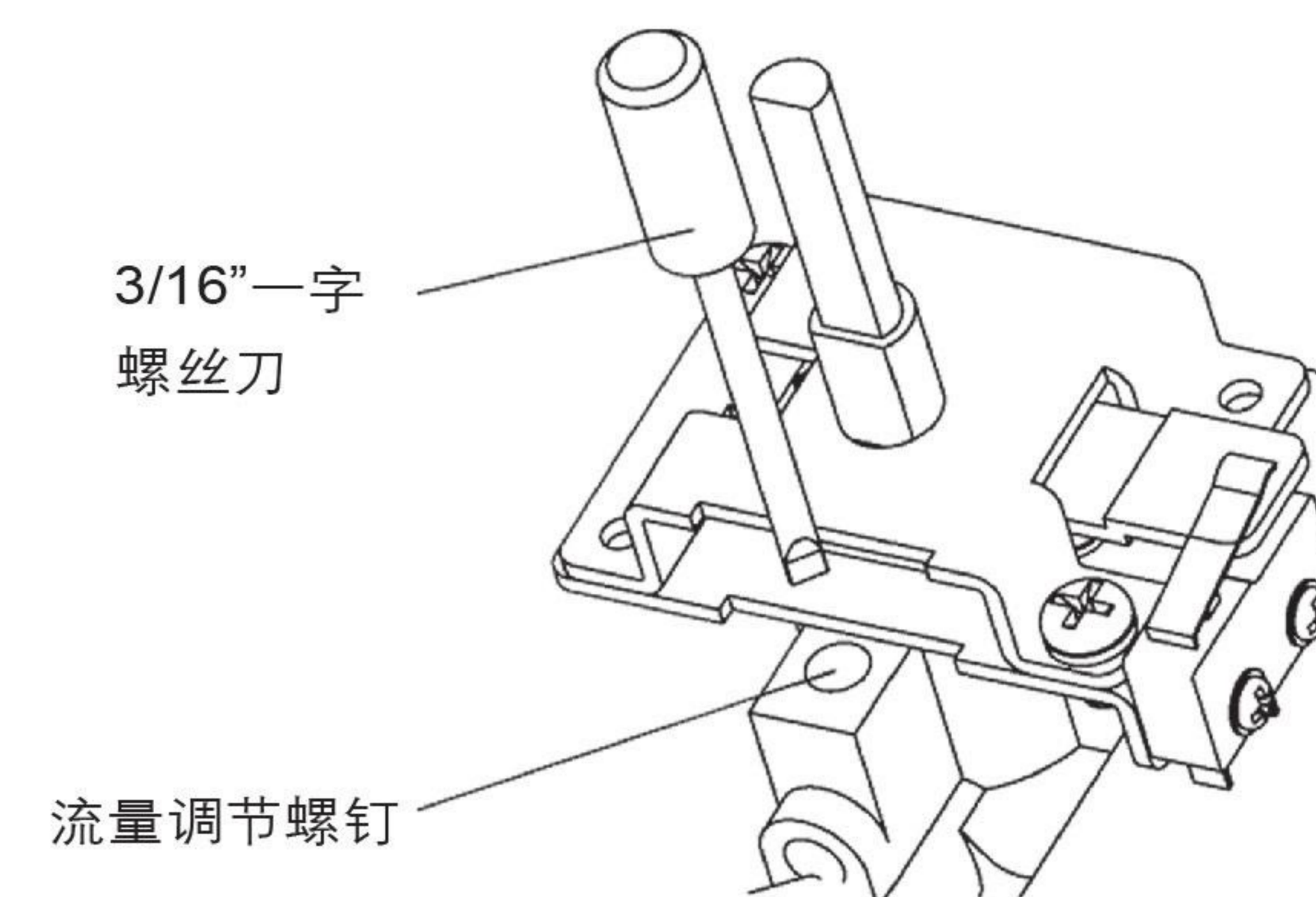


步骤6:将五个燃烧器装回各自的底杯上。

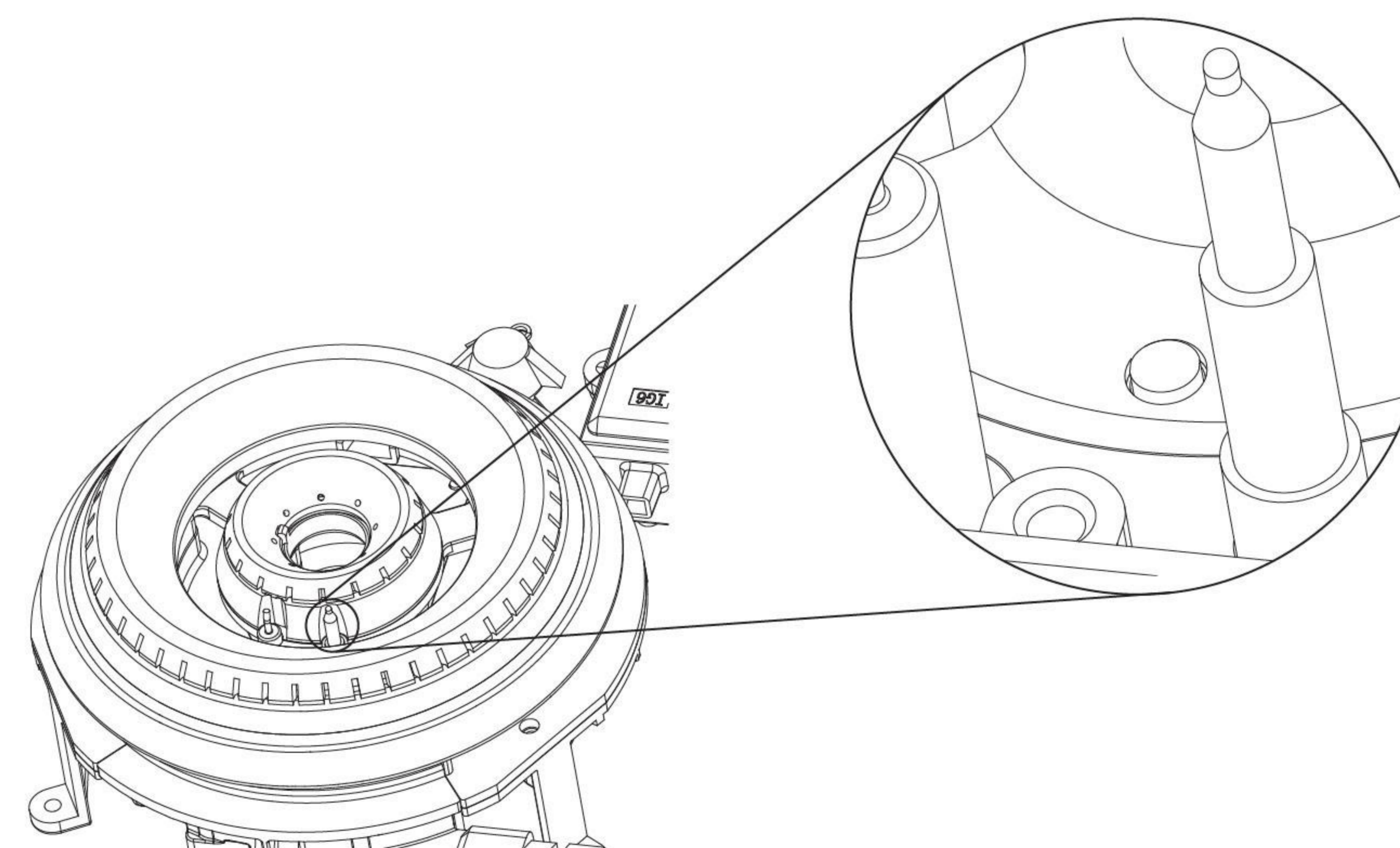


步骤7:调节流量调节螺钉

将旋钮装回燃气灶上，打开燃气管道阀门，点火，将火力调至最小火力。使用3/16"一字螺丝刀调节流量调节螺钉（顺时针调小）至最小火力并且使火焰刚好能烧到热电偶处。在该状态下，观察一分钟，确保小火不会发生熄火。如果发生熄火，需反方向调整流量调节螺钉，调大火力，重复观察的步骤。用同样的方式将五个炉头全部调节完毕。



热电偶头部为下图放大图。



步骤8:将面板、燃烧器、旋钮装回灶具主体。