

# FOTILE

## USER MANUAL

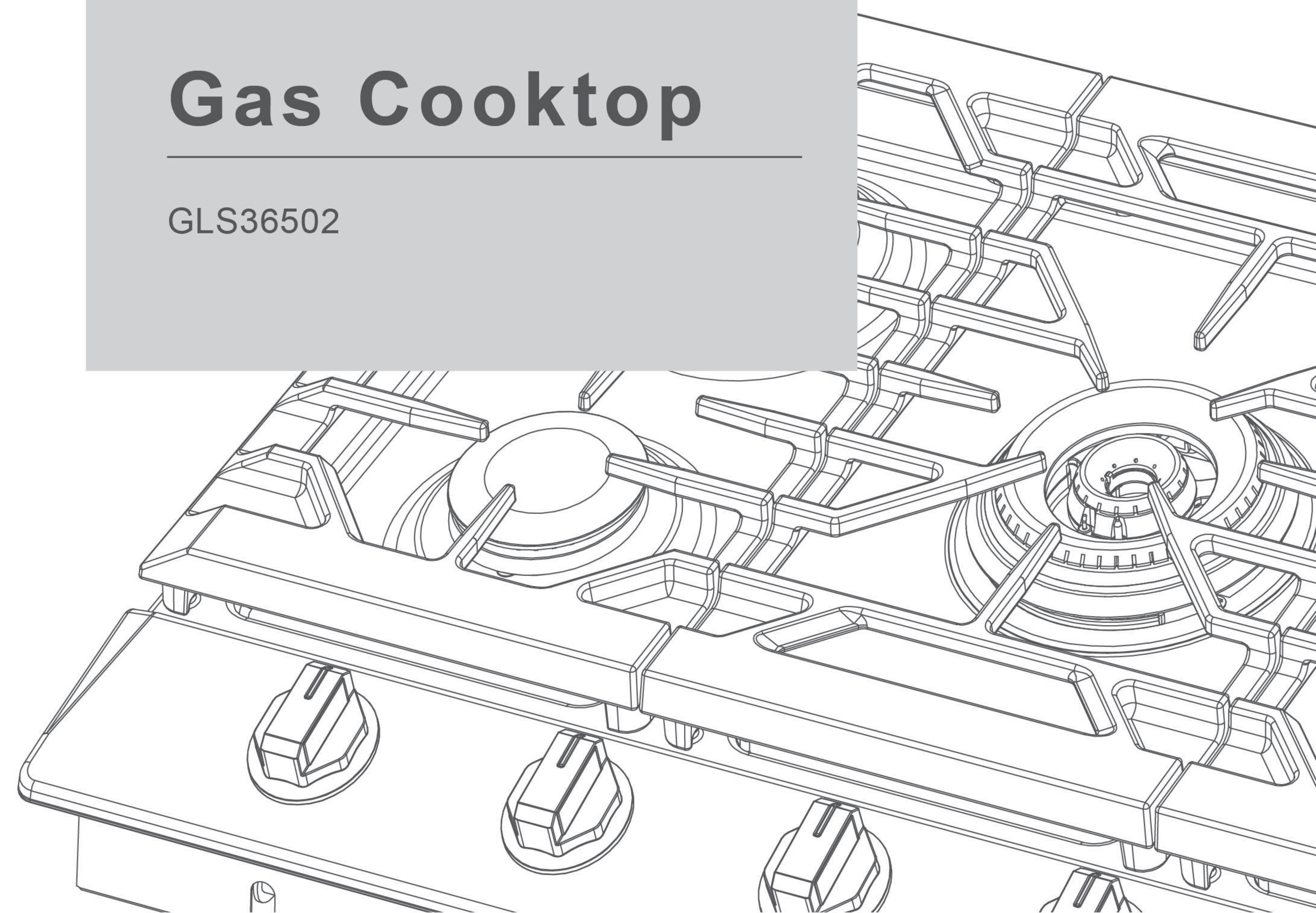
---

Read all instructions before  
using this appliance

## Gas Cooktop

---

GLS36502



方太已尽力确保在印刷时本手册中所给出的信息正确。然而，由于产品不断改进，方太保留变更产品和技术数据权利，恕不另行通知。

制 造 商：宁波方太厨具有限公司  
浙江省（中国）慈溪市杭州湾新区滨海二路218号  
销售公司：FOTILE AMERICA LLC.  
6 Campus Dr, Suite 210, Parsippany, NJ 07054  
网 址：WWW.FOTILEGLOBAL.COM

1102002506030/220602



# Contents

<b>Important Safety Information</b>	<b>2</b>
<b>Overview</b>	<b>8</b>
Layout	8
What's Included	9
<b>Using The Cooktop</b>	<b>10</b>
Burner Components Installation	10
Grates Installation	13
Fast Ignition	14
Flame Failure Device	14
Cookware size limitation	14
Knob Control	15
Griddle	16
Wok Grate	16
<b>Care And Cleaning</b>	<b>17</b>
<b>Troubleshooting</b>	<b>18</b>
<b>Warranty</b>	<b>19</b>

## Important safety information

Read all instructions before using this appliance  
Save this manual. Please do not discard.

### Your safety and the safety of others are very important

We have provided many important safety messages in this manual and on your appliance. Always read and obey all safety messages.



This is the safety alerts symbol.

This symbol alerts you to potential hazards that can kill or hurt you and others.

All safety messages will follow the safety alerts symbol and either the word "DANGER" or "WARNING."

These words mean:



**DANGER**

You can be killed or seriously injured if you do not immediately follow instructions.



**WARNING**

You can be killed or seriously injured if you do not follow instructions.

All safety messages will tell you what the potential hazard is, tell you how to reduce the chance of injury, and tell you what can happen if the instructions are not followed.



**WARNING**

If the information in this manual is not followed exactly, a fire or explosion may result causing property damage, personal injury or death.

–Do not store or use gasoline or other flammable vapors and liquids in the vicinity of this or any other appliance.

– WHAT TO DO IF YOU SMELL GAS:

- Do not try to light any appliance.
- Do not touch any electrical switch.
- Do not use any phone in your building.
- Immediately call your gas supplier from a neighbor's phone. Follow the gas supplier's instructions.
- If you cannot reach your gas supplier, call the fire department.

–Installation and service must be performed by a qualified installer, service agency or the gas supplier.



## Important safety information

### ⚠ WARNING

Gas leaks cannot always be detected by smell.  
Gas suppliers recommend that you use a gas detector approved by UL or CSA.  
For more information, contact your gas supplier.

### ⚠ WARNING

Never operate the top surface cooking section of this appliance unattended.

- Failure to follow this warning statement could result in fire, explosion, or burn hazard that could cause property damage, personal injury, or death.
- If a fire should occur, keep away from the appliance and immediately call your fire department. **DO NOT** attempt to extinguish an oil/grease fire with water.

### IMPORTANT

Do not install a ventilation system that blows air downward toward this gas cooking appliance. This type of ventilation system may cause ignition and combustion problems with this gas cooking appliance resulting in personal injury or unintended operation.

## STATE OF CALIFORNIA PROPOSITION 65 WARNINGS

### ⚠ WARNING

This product contains one or more chemicals known to the State of California to cause cancer, birth defects or other reproductive harm.

Gas appliances can cause low-level exposure to some of these substances, including benzene, carbon monoxide, formaldehyde and soot, caused primarily by incomplete combustion of natural gas or propane fuels.

Exposure to these substances can be minimized by opening a window or using a ventilation fan or hood.

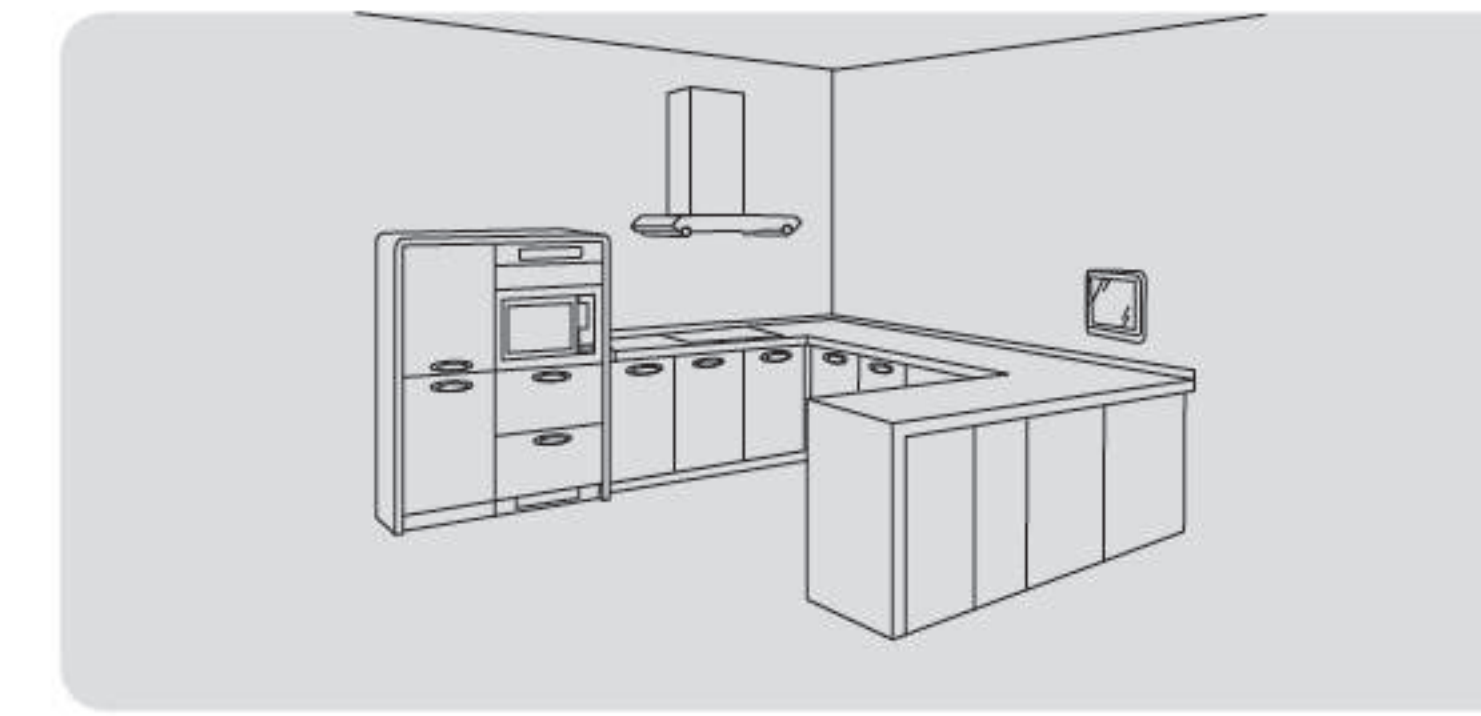
## STATE OF MASSACHUSETTS

In the State of Massachusetts, the following installation instructions apply:

- Installations and repairs must be performed by a qualified or licensed contractor, plumber, or gasfitter qualified or licensed by the State of Massachusetts.
- If using a ball valve, it shall be a T-handle type.
- A flexible gas connector, when used, must not exceed 3 feet.

## Important safety information

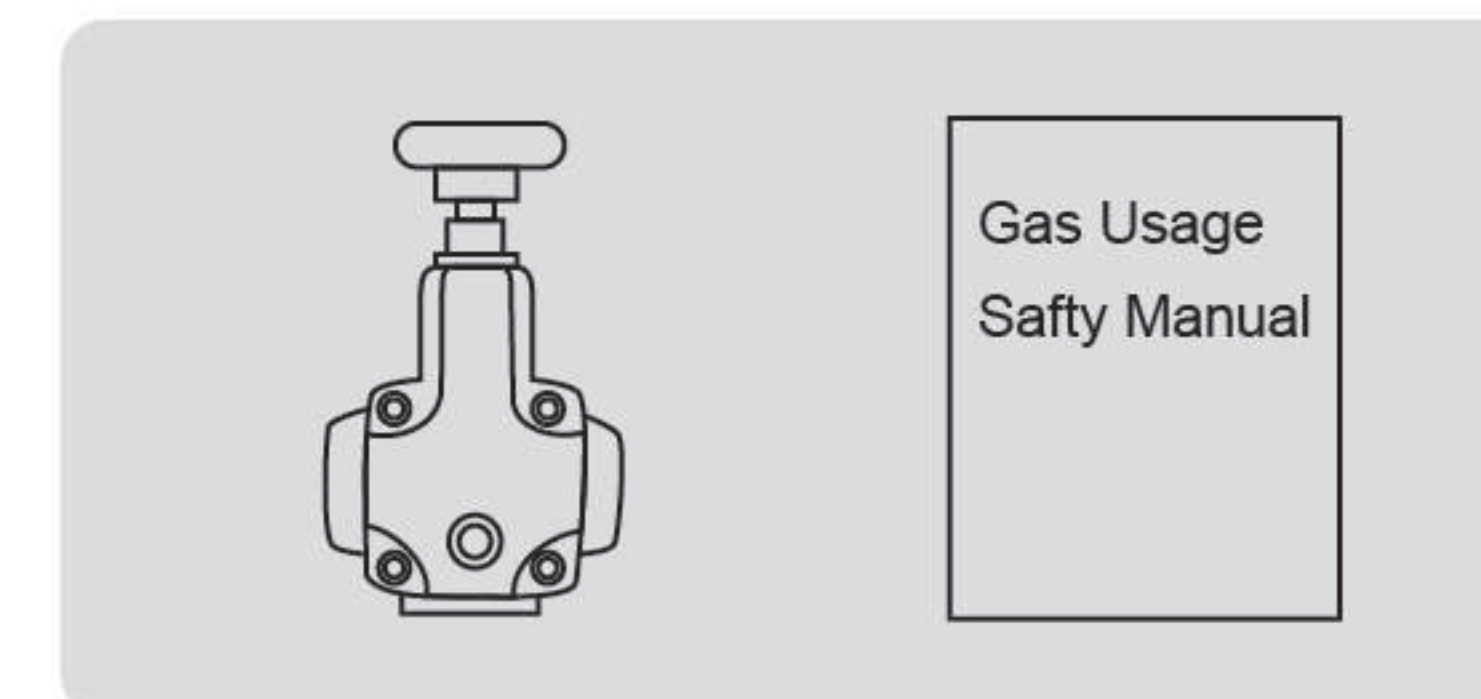
### GENERAL SAFETY



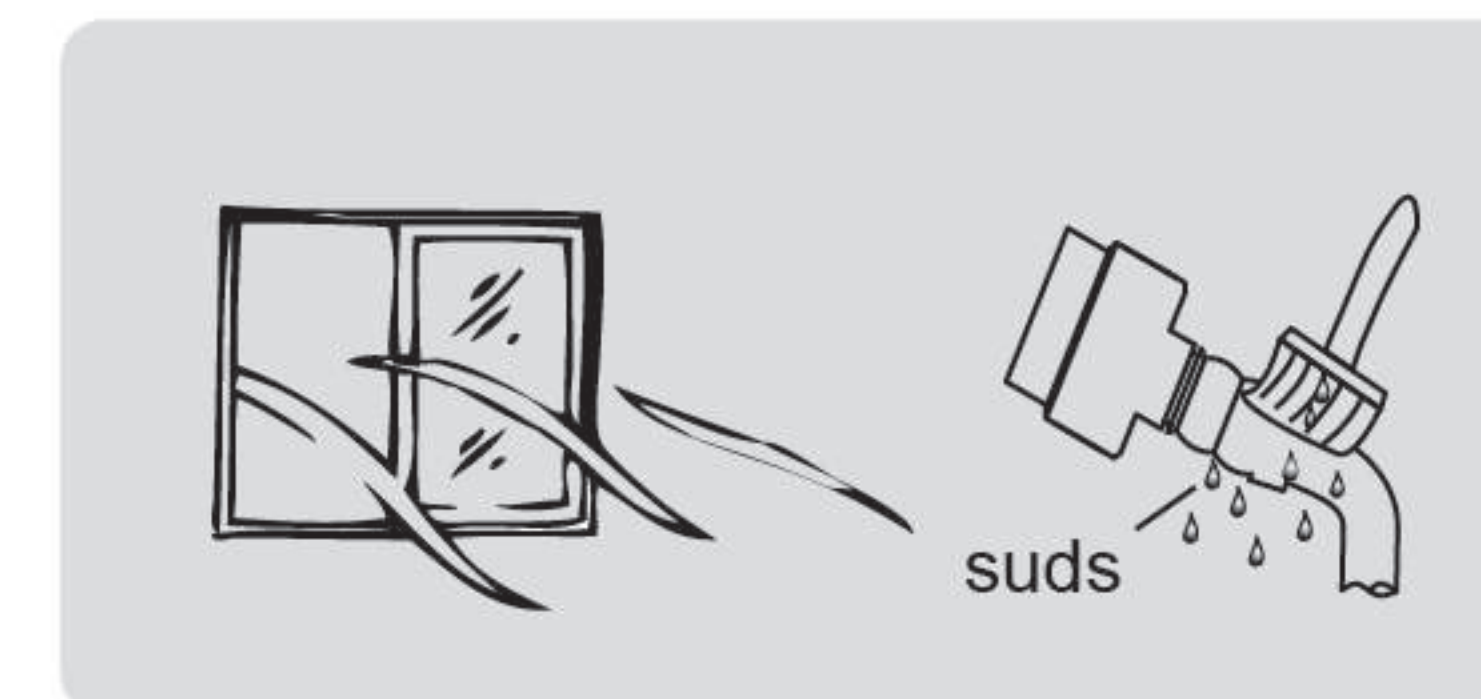
This gas cooktop can only be used in a household kitchen. Please do not install this cooktop in a commercial kitchen, a bathroom, bedroom, basement, or in places where there may be corrosive or explosive materials.



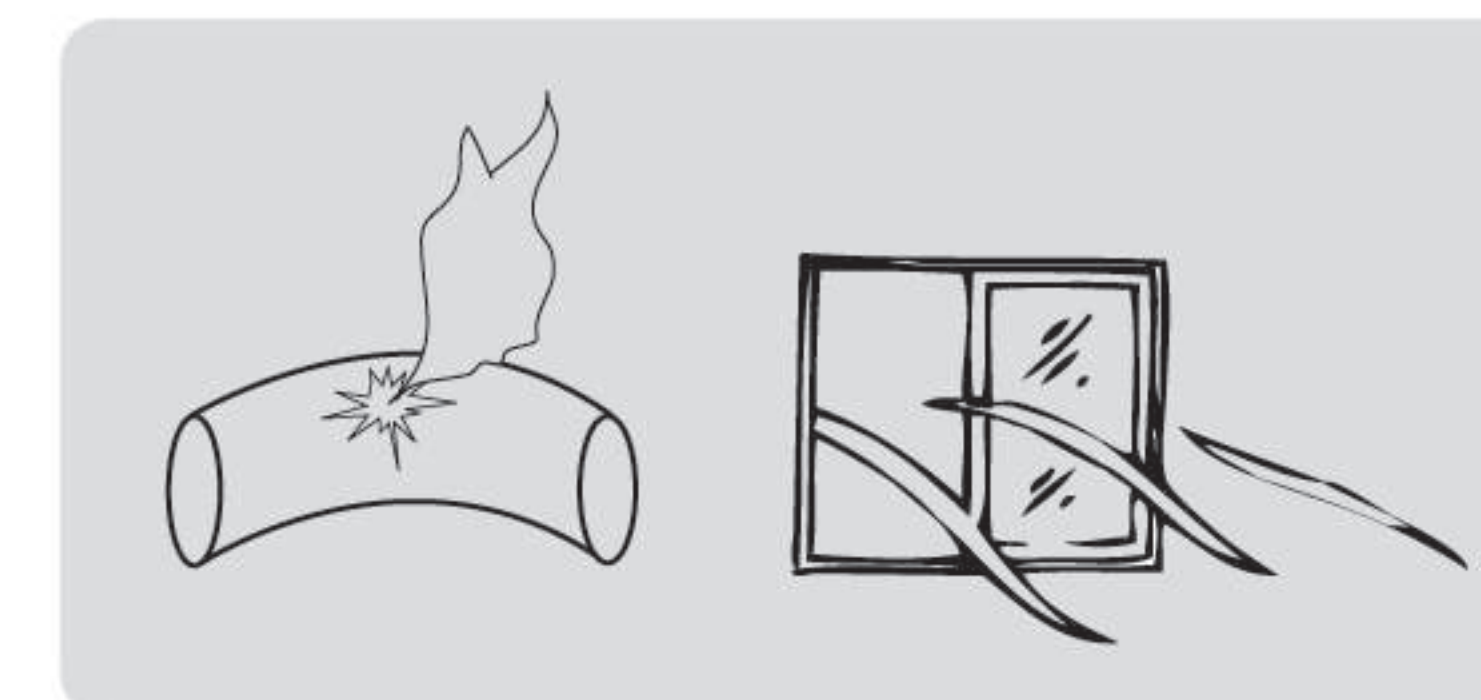
Only use a licensed authorized technician recommended by Fotile to install this cooktop or perform any removal, dismantle, or repair to your Fotile Cooktop.



Some gas suppliers provide a "Gas Usage Safety Manual", if you have one from your gas supplier, please comply with it.



To prevent asphyxiation during installation or during use, please check that you do not smell any gas. If you smell gas, ventilate the area before trying to light the cooktop again.



If there is a gas leak and you smell gas, make sure the cooktop is turned off and open a window to ventilate. Immediately go outside of your house and use your cell phone to call the Fotile Service Center for repair and your Public Gas Service Emergency Hotline. **DO NOT** try to turn on the cooktop, turn on the lights in the kitchen, or use a land line telephone. Go outside of your house and call Fotile Service or your Public Gas Utility for service.



Do not operate the cooktop near an open window if it's windy outside. The wind can blow out the flame and lead to gas leakage and operation malfunction.



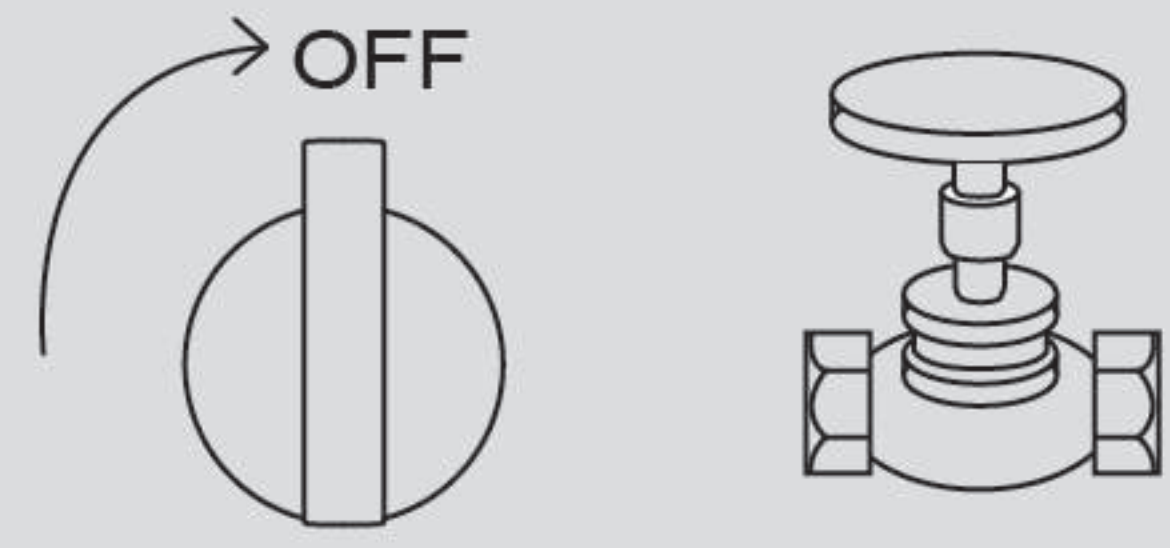
If you cause a fire in your pan or cooktop due to excessive oil heat, cover the fire in the pan with a steel cover and immediately turn off your cooktop. If the fire gets out of control, use a fire extinguisher rated for cooking oil fires. Do not use water to put out a grease fire. If you don't have a rated fire extinguisher, exit the house immediately and call your local fire Dept.



Periodically replace the grease resistant gas rubber hose for your cooktop every 1.5 yrs to ensure safe operation of your cooktop.



## Important safety information



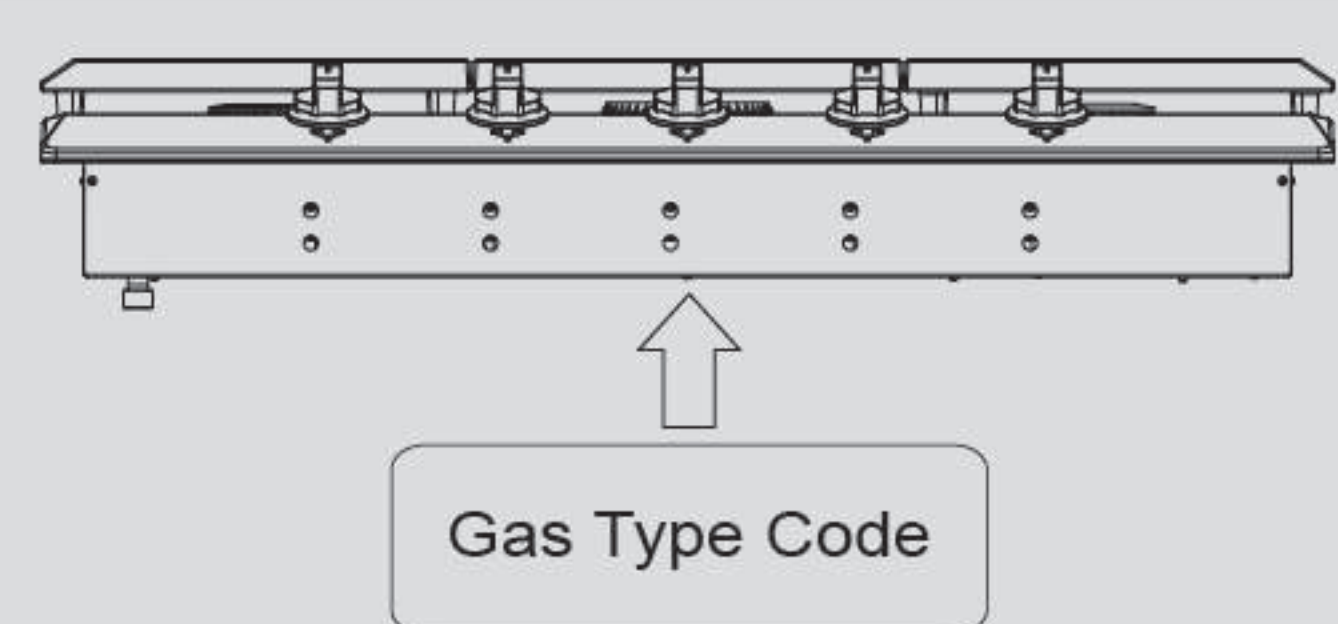
Never operate your cooktop when you are sleeping or when you leave the house. You should never leave a working cooktop unattended. If you go to bed or leave your house, be sure to turn off your cooktop.



Keep away any plastic packaging from small children to avoid suffocation.



Do not modify this appliance



Only operate the Fotile Cooktop with natural gas or LPG. This cooktop can not be used with other gas types.



Only use this cooktop for cooking food. Do not attempt to use it for other purposes such as drying clothes or as a heater.



Do not attempt to use the cooktop when there is no pot on the cooktop or no food in the pan. This can damage your cooktop and your cooking pan.



To avoid burning yourself, please do not touch the cooktop or its burners immediately after using the cooktop.



Do not store any flammable materials in a drawer near your cooktop.



Please don't place any acidic or alkaline substance on the cooktop (vinegar, lemon juice, etc).

## Important safety information



Do not place anything on the cooktop between the cooking pan and the cooktop's bottom pan support as you may damage your cooktop.



Do not place a wok directly on the burner. Use the included wok attachment on the cooking grate to cook with a wok.



Do not use large pots or heavy items on your cooktop as it can bend your cooktop and cause damage and possible injury.



Locate pots in the center of the cooking grate. Uneven pots or pans can cause damage to the cooktop and possible injury.



Use only a wok support supplied or recommended by the manufacturer of the appliance.






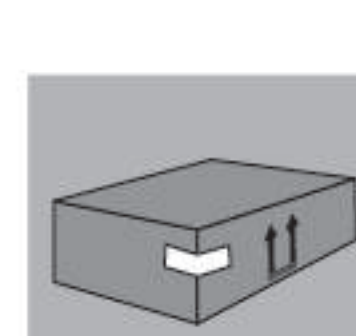









Do not spray any aerosol cans, cleaning materials, or hazardous materials in the vicinity of the cooktop as fire or explosion can occur.



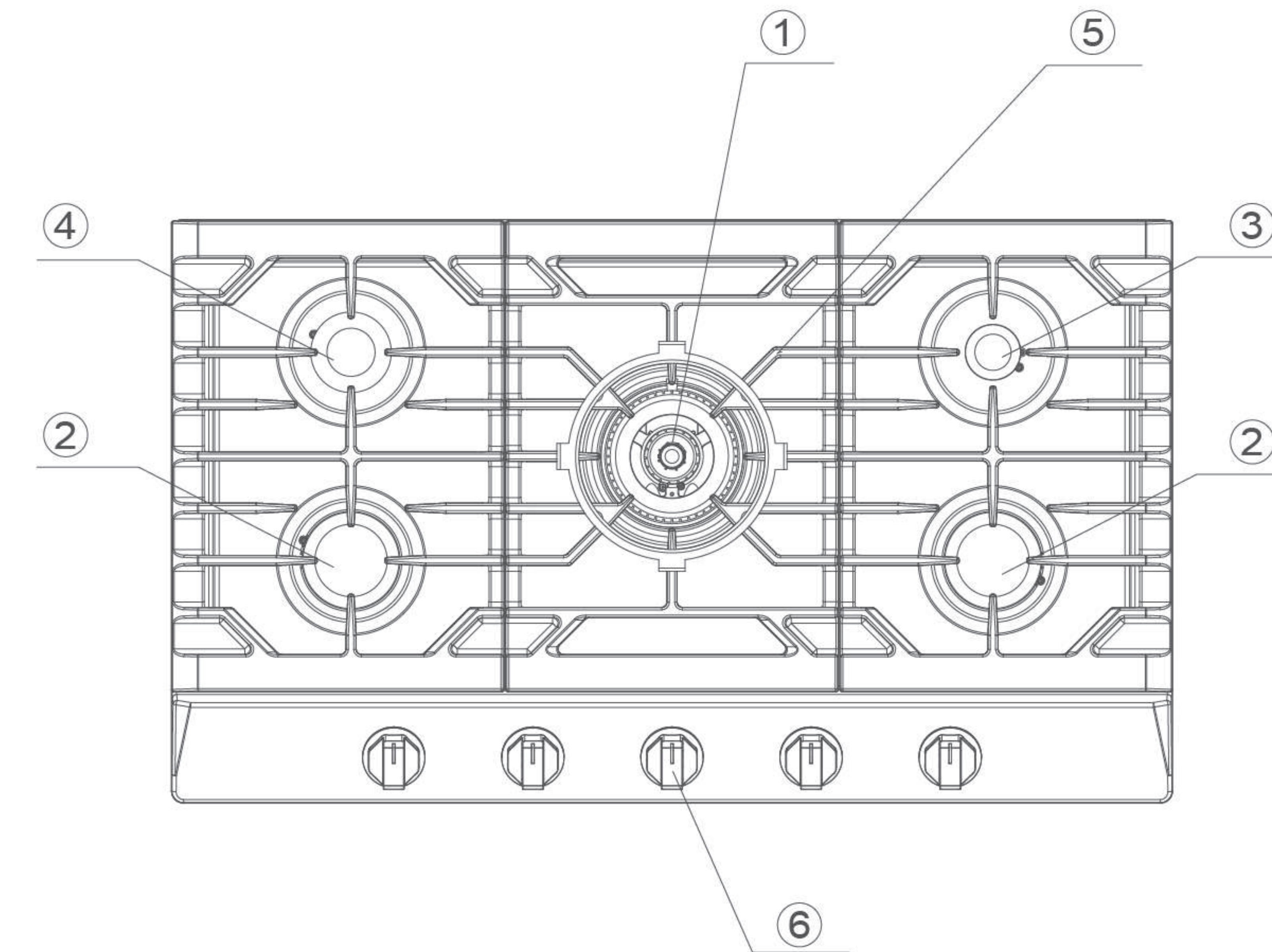
Ensure the cookware does not exceed the size of the grates. Cookware that is larger than the grates may cause the flames to get too close to the knobs creating a burn hazard when touched.



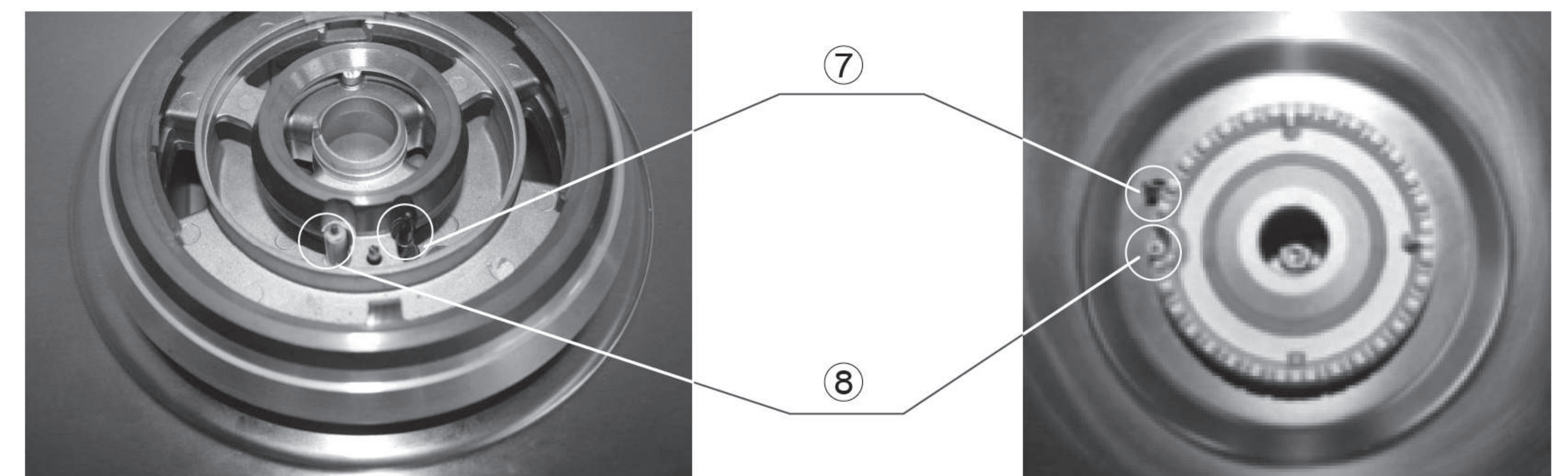
**GENERAL SAFETY**

-  This appliance is not connected to any type of combustion exhaust system. It must be installed in accordance with local and manufacturer installation guidelines. Particular attention should be placed on the requirements regarding proper ventilation.
-  Before installation, please ensure your local gas distribution type is right for your cooktop. This cooktop appliance is compatible with Natural Gas and LPG. Please check with your local provider to ensure compatibility.
-  Never use this appliance as a heating appliance. Doing so may result in carbon monoxide poisoning and damage to your cooktop from overheating.
-  Please discard all packaging materials in the appropriate designated garbage or store in a safe place out of the reach of children.
-  Never block the vent openings provided for ventilation and heat dispersal
-  The product name plate containing technical data, serial number, and other important product information must never be removed from the cooktop. This is important information for a service technician about your cooktop.
-  (Hot Surface Hazard) Never touch the cooktop surface or any of its components during or right after use as they can become extremely hot.
-  (Fire Hazard) Never leave the cooktop appliance unattended when in use. Burning food can cause a fire and lead to personal injury.
-  Do not spray any aerosols in the vicinity of the cooktop when in use. This can result in fire and personal injury.
-  (Explosion Hazard) Do not use your cooktop near flammable materials. Do not store any flammable materials near the cooktop. Doing so, can result in personal injury.
-  This appliance is intended for use by adults only. Keep children at a safe distance.
-  Always check that the control knobs are turned off after each use.
-  The manufacturer waives all responsibility for injury or damage caused by failure to comply with the above regulations or tampering or modifying the cooktop with non-original parts.

**Layout**



- ① Center: 22000BTU, Versatile Tri-Ring Burner
- ② Right Front/Left Front: 13000BTU, Rapid Burner
- ③ Right Rear: 3000BTU, Simmer Burner
- ④ Left Rear: 6000BTU, Semi Rapid Burner
- ⑤ Edge to Edge Cooking Grates
- ⑥ Octagonal Knobs



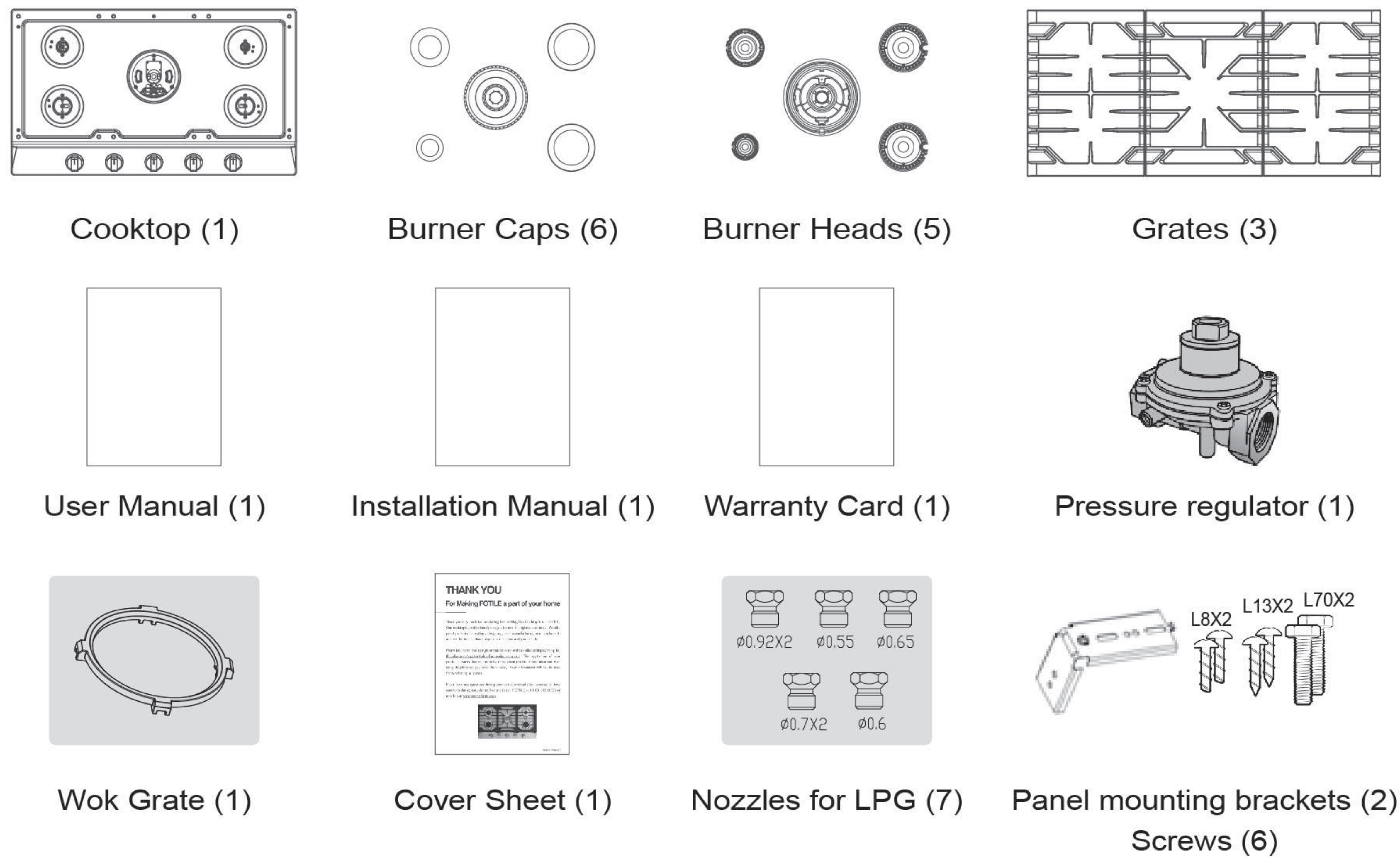
Center Burner

Other Burners

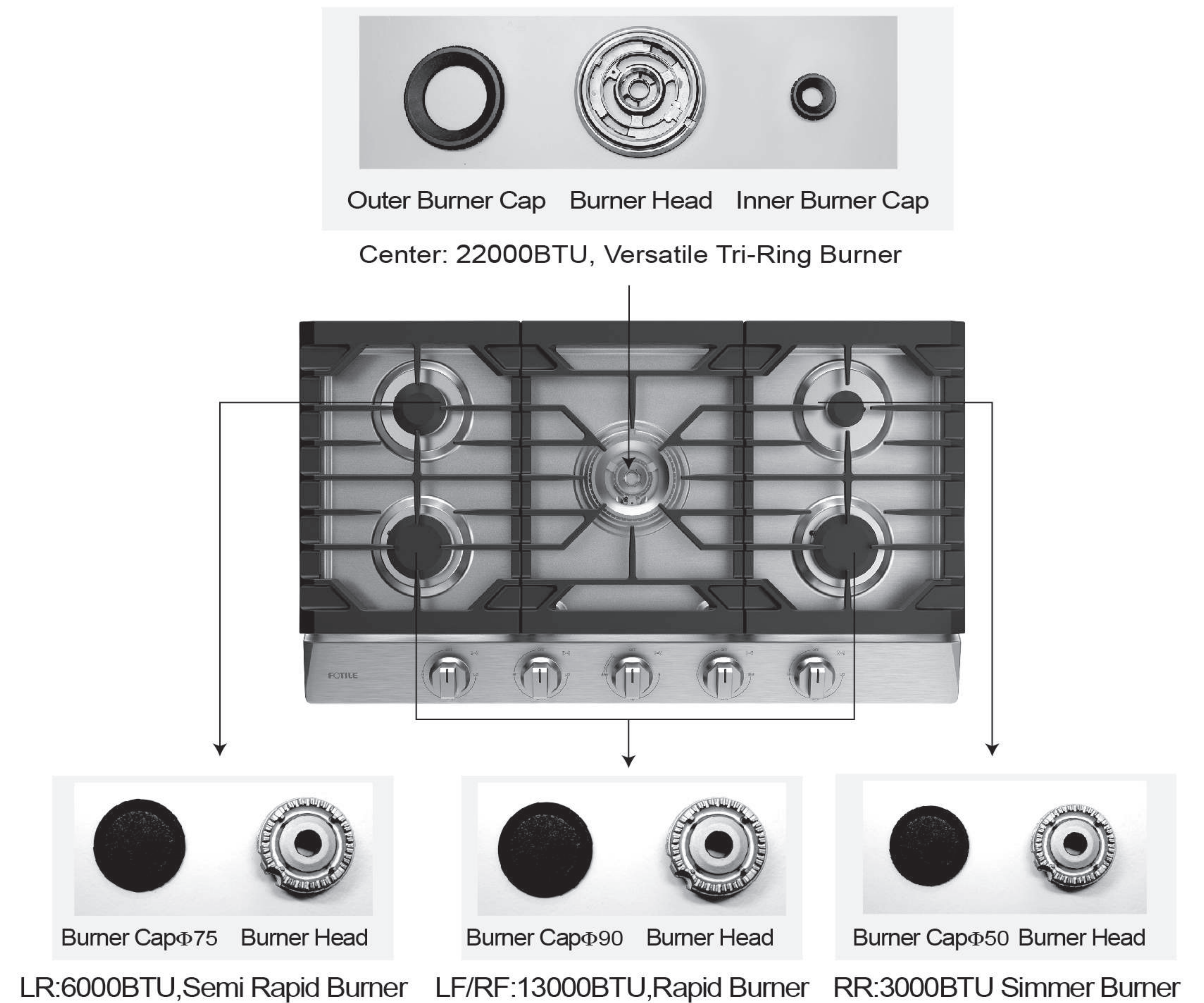
- ⑦ Thermocouple
- ⑧ Ignition device



What's included



Burner components installation



Center versatile Tri-Ring burner assembly:

1. Hold the burner head so the shiny silver side is facing down. Find the small hole in the burner head as noted in this picture.





## Using the cooktop

2. Place the burner head onto the cooktop surface so that "hole A" gets inserted into "pin B" on the cooktop. Make sure "Pin B" is firmly seated into "hole A" on the Burner Head. If not, remove the burner head and try it again. Please refer to the pictures below for this step.



3. Place the lined part of outer burner cap to fit in the lined part of the burner head. Shake the outer burner cap gently to check if it is firmly seated (you will be able to rotate the outer burner cap, but it should be firmly seated in the burner head.)



4. Next, place the inner burner cap on the burner head and make sure it is firmly set by gently sliding it from side to side.



5. Check if the burner head/burner cap is firmly seated. If the burner head/cap is not level or is unstable, you must take it off, and reinsert it again.

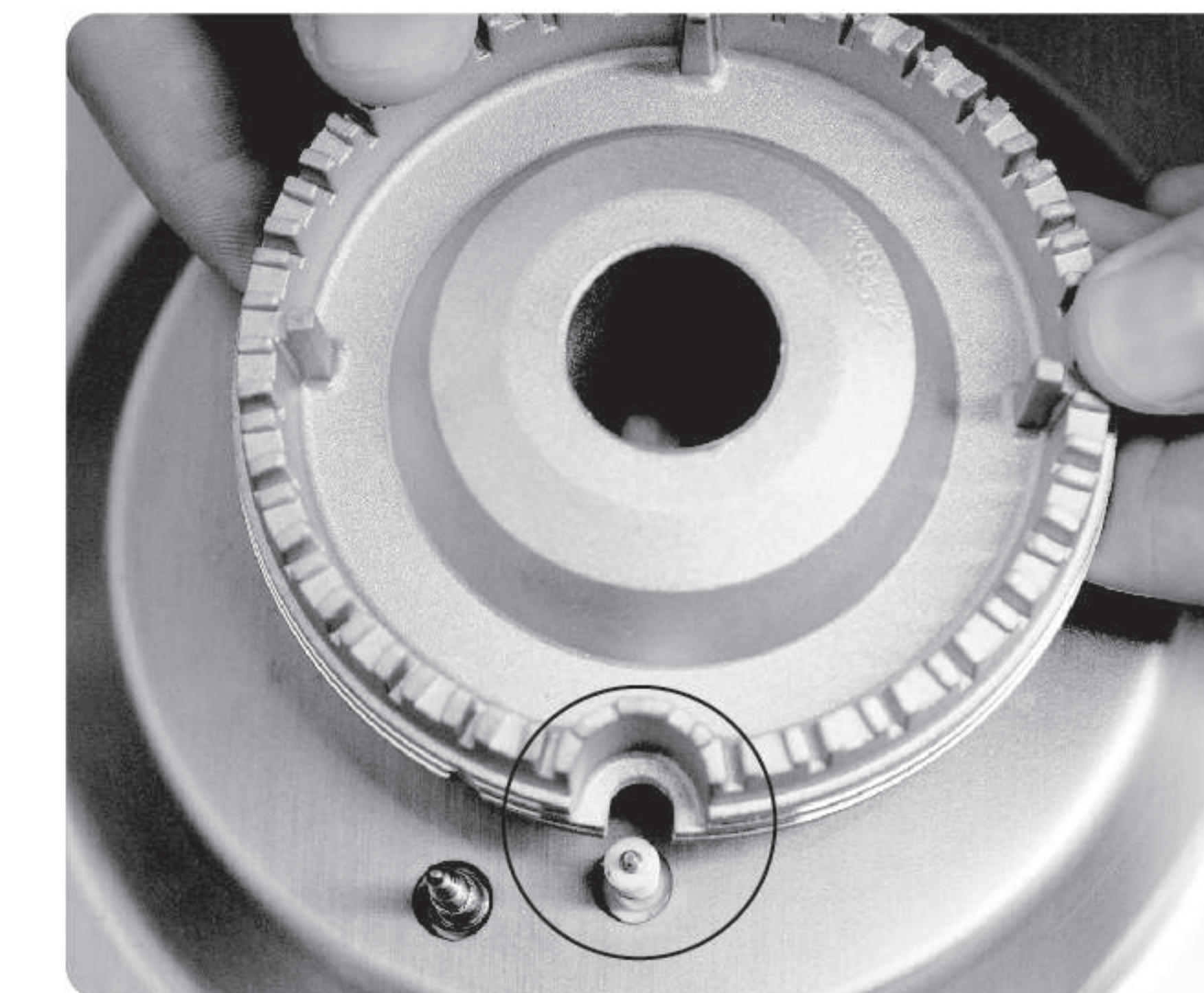
## Using the cooktop

### Other burner assembly:

1. Identify 13000BTU/6000BTU/3000BTU burner head and burner cap by size.
2. Hold the burner head, then find the gap "C" and ignition needle "D", make it on the same side.



3. Place the burner head with the gap "C" next to the ignition needle "D" and make sure the burner head is firmly seated.



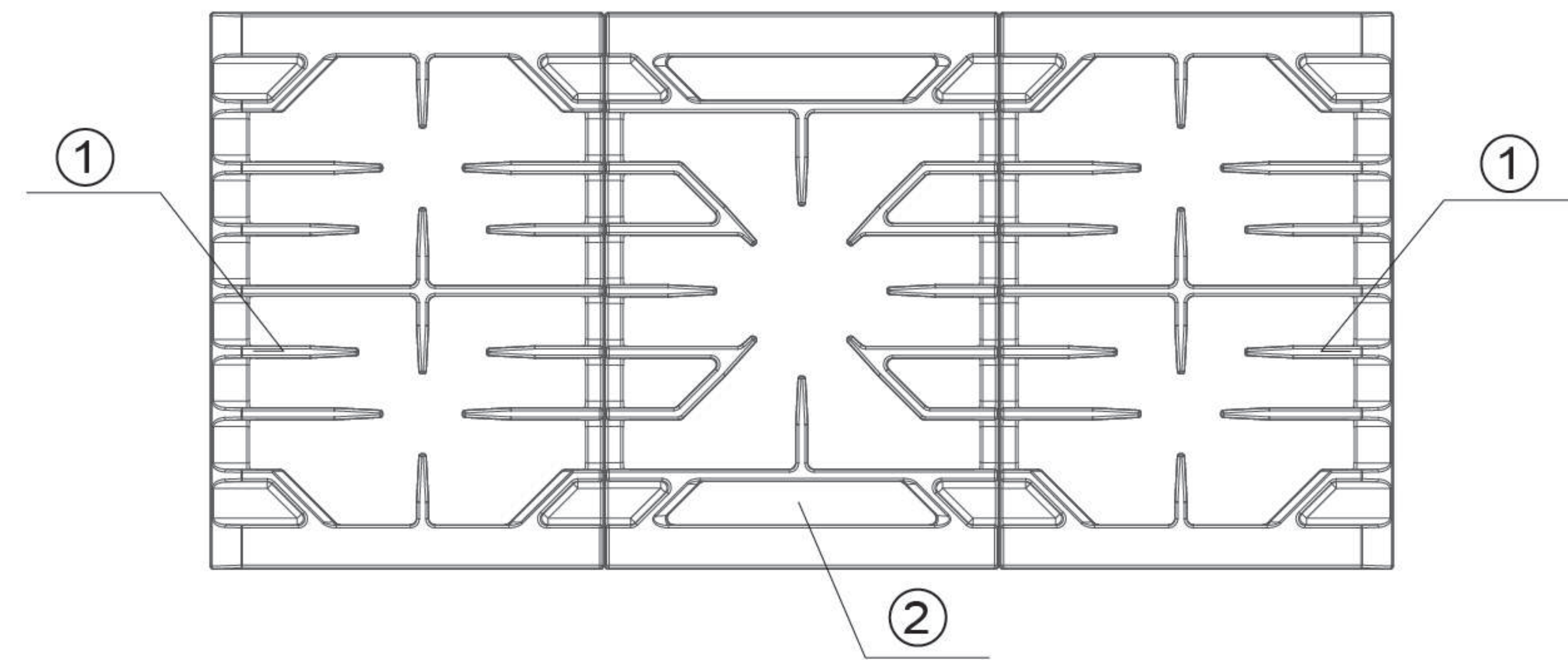
4. Place the lined part of burner cap to fit in the lined part of the burner head. Shake the burner cap gently to check if it is firmly seated.



5. Check if the burner head/burner cap is firmly seated. If the burner head/cap is not level or is unstable, you must take it off, and reinsert it again.



■ Grates Installation

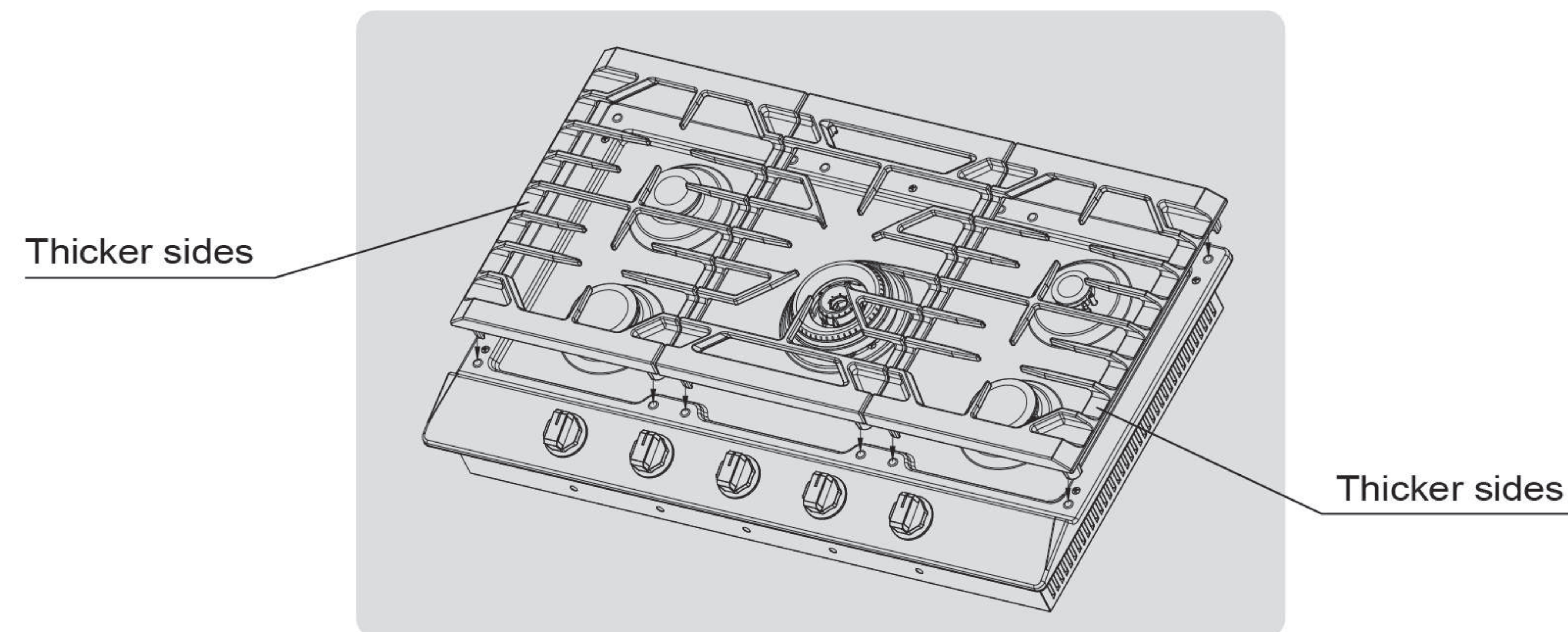


① Left/Right Grate(same)    ② Center Grate

The three cooktop grates are designed to fit in specific positions on the cooktop. For maximum stability, these grates should only be used in their proper positions.

**To properly setup your cooking grates, please follow these steps:**

1. Take out the three grates and find the center grate first. Note, the left and right grids are exactly the same.
2. Gently lower the legs of the center grate so they rest in the center grate dimples of the cooktop.
3. Take the other two grates and make sure the thicker sides of the grates face the outer left and right sides of the cooktop.
4. Gently lower the legs of the grates into the dimples of the cooktop. When properly installed, neither grate will make contact with the overhangs of the center grate.



■ Fast Ignition

Take note which knob controls which burner. This appliance is equipped with an electronic ignition device. Simply press the knob downward and turn it counterclockwise to HI until the burner lights. If it does not light within the first 15 seconds, turn the knob to OFF and wait for 60 seconds before attempting to light it again. This cooktop has a fast ignition device. When the knob is released, the solenoid valve will not cut off power immediately. It will still maintain continuous current to provide energy to the ignition needle. Therefore, the igniter will continue to maintain the ignition state for 1 to 3 seconds, which provides better ignition rate.

■ Flame Failure Device

If the flame goes out accidentally a safety device will be activated about 60 seconds later and automatically cut off the gas supply to the cooktop even if the burner knob is still on. If this happens, turn the burner knob to the OFF position, wait 60 seconds, and then try to relight the burner.

■ Cookware size limitation

**Please choose the proper Pan before cooking:**

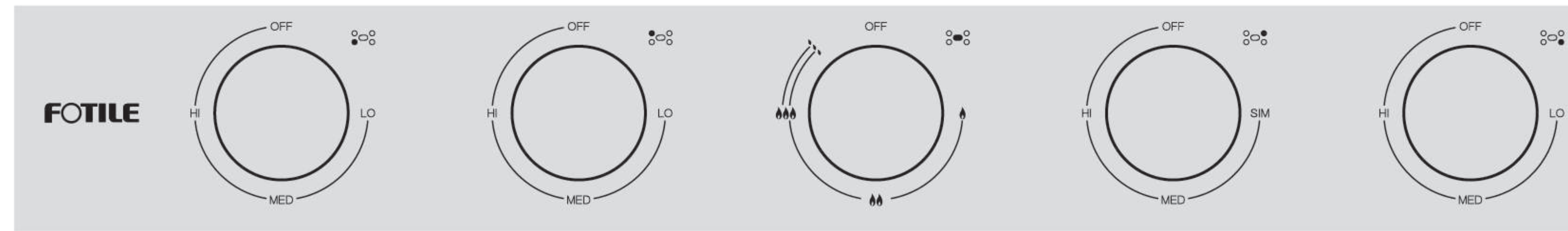
1. Please make sure the diameter of the pan used is equal or more in size to the cooking grates.
2. Try to avoid rubbing or banging the cooktop on the cooking grate to protect the cast iron grate.
3. A Wok can be used on the Center Tr-Ring Burner only. Before using your wok, please attach the included Wok attachment grate onto the center burner.

Burner	Minimum	Maximum
RF/LF	N/A	10in
M	6in	12in
RR	N/A	8in
LR	N/A	10in

Always make sure your pot handles are turned facing you or to the side when using your cooktop. Make sure you do not have a pot handle over a hot burner. This will minimize the chance of having any accidents or personal injury.



**Knob control**



Turn the control knobs to adjust the flame level. Turn the knob counterclockwise, 90° for high flame, 180° for middle flame, and 270° for low flame.

The Center knob controls the Tri-Ring burner. The Tri-Ring burner consists of 3 rings of fire. The outer ring is controlled separately, and the two inner rings are adjusted simultaneously. When the knob is turned to 90° all three rings of fire will be at the maximum state achieving 22,000 BTUs. Turn the knob from 90° to 180° and the outer flame is gradually decreased while the inner two flames remained unchanged. At 180° the outer flame is in the minimum burning state, while the inner flames remain unchanged. If you continue to turn the center knob from 180° to 270° the outer fire ring fades out gradually and then the inner flames begin to diminish. At a full 270° the inner flame rings are at a minimum flame state. Turn the knob back to any position between 90° and OFF and the outer ring and 2 inner rings of fire change synchronously to ensure that the pot is evenly heated.

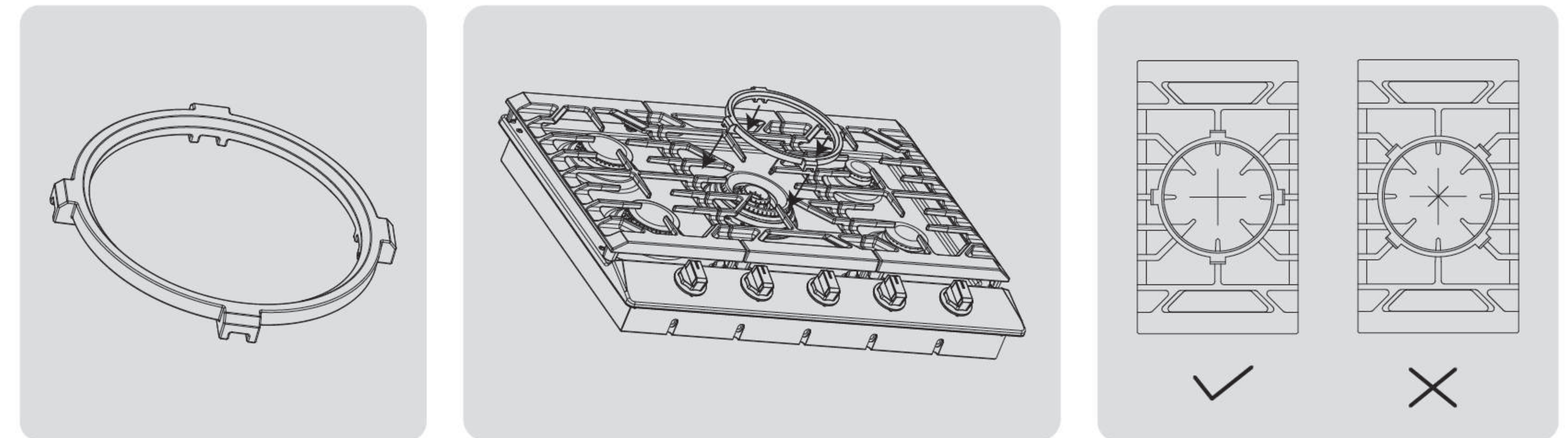
Burner	purpose	Characteristics	Food type
RF/LF	Quick heating General-purpose cooking	Good source of medium to high heat, All Purpose Burners	All types of food
C	Power Boiling, Stir frying, Searing, Pan Frying, Poaching, to light Simmering	Versatile 3 Ring burner with 22,000 BTU to 2,500 BTU, Extremely High Heat to low simmer	Stir Fry, Meats, Vegetables, Eggs, Pancakes, Crepes, Soups, Sauces
	Wok	Very Fast High Heat	Stir Fry, Pan Fry
RR	Low simmering, heat preservation and duration	Food that requires low heat for a long time	Sauces, Chocolate butter, Casseroles
LR	General cooking	Low/Medium heat to light simmer	General Purpose cooking

**Wok Grate (included)**

**Wok:**

Woks are often used for stir-frying and pan frying. To use a Wok, you need to attach the Wok Grate so your Wok will sit on the burner properly and safely.

1. The wok grate attachment can only be placed on the center burner cooking grate.
2. Do not try to use an oversize pan with the wok attachment as damage and injury could occur. Only use a wok on the wok attachment.
3. Do not try to remove the wok grate until the cooking grates and cooktop surface have completely cooled down.
4. Do not use the wok grate and the griddle at the same time.



**LPG Conversion**

FOTILE gas cooktops are manufactured and shipped to be used with natural gas. If you want to use LPG, please convert the cooktop to LPG following the instructions in the Installation Manual.



**⚠ WARNING**

Before cleaning your cooktop, please make sure it is OFF and it has cooled down.

1. Before cleaning, please remove pan supports and flame caps.
2. Only use a mild neutral cleaning solution to clean your cooktop burner parts, and cooking grates. Only use warm water, mild detergent, and a soft towel or paper towel.
3. Please do not wipe your cooktop with steel wool or anything abrasive, as it will scratch the surface of your cooktop and possibly damage it.
4. Wash the removable parts of the burner in warm water with a mild detergent soap. Remove any food spilled on the burner parts during washing. Completely dry the burner parts otherwise white spots may appear. Note, if this happens, this will not affect the cooking performance of the cooktop.
5. Take a look at the fire holes on the burners and gently remove any carbon buildup by wiping them with a soft towel or rag.
6. After cleaning your cooktop, make sure everything is dry before putting it back together and using it.
7. Do not put your burner parts, cooking grates, or Wok grate into the dishwasher as they may get damaged.
8. After spilling the pot, please clean up the spilt liquid in time. Do not let the spilt liquid flow into the bottom cup of the burner.

Problems	Possible cause	Action
You smell gas.	Gas leak	Do not use cooktop. Turn the burner knob to OFF and open the window. Do not touch any light switches or telephone. Leave the house immediately and go outside to call your gas supplier for help with a cell phone.
Burners do not light	Gas supply is not properly connected or turned on	Turn the burner knob to OFF and retry lighting the burner again. If still does not work, please call your gas supplier for help.
	Too much Air is mixed with the gas pipe	Light the burner repeatedly until the air has completely gone out
	The burner heads and caps are not in place	Remove the Burner head/cap and reinsert it again firmly. (check burner assembly instruction for details.)
	Ignition device dirty or wet	Wipe with a dry cloth
	Safety valve not open	Press and turn the knob, make sure the burner is on and keep pressing for 3 to 4 seconds.
	Thermocouple is dirty	Wipe with a dry cloth
	The burners are dirty, or nozzle is blocked	Remove burners, rinse with clean water and wipe dry.
The flame is small	The burners' nozzle is blocked	Clean the fire hole surface on the burner
Flame length is uneven	The burners are dirty, or nozzle is blocked	Remove burners, rinse with clean water and wipe it.
	The burner heads and caps are not in place	Remove the Burner head/cap and reinsert it again firmly. (check burner assembly instruction for details.)
Flame length is uneven	After the overflow of the pot, a large amount of soup overflowed and flowed into the inner cavity of the bottom cup of the burner, causing uneven air output.	Please clean up the spilt liquid in time after spilling the pot. Clean the spill with a clean rag, remove the flamethrower and fire cover, check whether there is liquid in the bottom cup of the burner, if there is, please clean it in time.



Please staple your receipt here, proof of original purchase is required for service.

All warranty service is provided by our Factory Service Centers, or an authorized Customer Care Technician. To schedule a service appointment, please call FOTILE America Service at 1-888-315-0366 or email us at [serviceusa@fotile.com](mailto:serviceusa@fotile.com). Please have your serial number, model number, and proof of purchase receipt available when calling for service.

**GAS COOKTOP WARRANTY:**

5 years Limited warranty: 1 year on Parts and Labor, 4 years on Parts only.

Any part of the cooktop which fails due to defect in materials or workmanship. During this limited warranty, FOTILE America will provide free of charge all labor and in-home service to replace the defective part for a period of 1 year. For the remaining 4 years, FOTILE America will cover parts only.

**What FOTILE America will not cover under Warranty:**

1. Service trips to your home to provide tutorials on the use and maintenance knowledge.
2. Improper installation, delivery or maintenance.
3. Failure of the product if it is abused, misused, modified or used for other purpose or used commercially.
4. Damage to the glass cooktop by use of cleaners other than recommended cleaning creams and pads. Damage to the cooktop to spills of sugary materials or melted plastics that are not cleaned according to directions in the owner's manual.
5. Replacement of house fuses or resetting of circuit breakers.
6. Damage to the product caused by accident, fire, floods or acts of God.
7. Incidental or consequential damage caused by possible defects with this appliance.
8. Damage caused after delivery.
9. Product not accessible to provide required service.
10. Service to repair or replace light bulbs, except for LED lights under warranty.
11. Damage to finish such as surface rust, tarnish, or small blemishes not reported within 48 hours of delivery

**Exclusion of Implied Warranties:**

This warranty is extended to the original purchaser and any succeeding owner for products purchased for home use within the USA. If the product is located in an area where service by a FOTILE Appliances Authorized Service Technician is not available, you may be responsible for a trip charge or you may be required to bring the product to an authorized FOTILE Service location for service. In Alaska, the warranty excludes the cost of shipping or service calls to your home. Some states do not allow the exclusion or limitation of incidental or consequential damages. This warranty gives you specific legal rights, and you may also have other rights which vary from state to state. To know what your legal rights are, consult your local or state consumer affairs office or your state's Attorney General.

**WARRANTOR:FOTILE AMERICA LLC**

**Fotile America**

[serviceusa@fotile.com](mailto:serviceusa@fotile.com) 1-888-315-0366

**Consumer Support:**

**FOTILE Website**

Have a question or need assistance with your appliance? Try the Fotile Appliances Website 24 hours a day, any day of the year! You can also shop for more great FOTILE Appliance products at [www.fotileglobal.com](http://www.fotileglobal.com)

**Register Your Appliance**

Professional your new appliance on-line at your convenience! Timely product registration will allow for enhanced communication and prompt service under the terms of your warranty, should the need arise. You may mail in the pre-printed registration card included in the packing material, or you can register online by visiting: <https://shop.fotileglobal.com/register-today-for-product-support/>

**Schedule Service**

Expert FOTILE Appliance repair service is only one step away from your door. Simply call us at 1-888-315-0366 or email us at [serviceusa@fotile.com](mailto:serviceusa@fotile.com) to schedule your service call.

**Parts and Accessories**

To purchase optional accessories, please visit <https://shop.fotileglobal.com/product-category/-accessories/> or contact your authorized retailer where you purchased your FOTILE Appliance. To purchase parts for your FOTILE Appliance, please call FOTILE America at 1-888-315-0366.

**Contact Us**

If you have any questions during your setup or installation process, or have questions during use, do not hesitate to call FOTILE America at 1-888-315-0366 or email us at [serviceusa@fotile.com](mailto:serviceusa@fotile.com)



Official Website



Repair Parts Page



Accessories Page



# FOTILE

## Manual de usuario

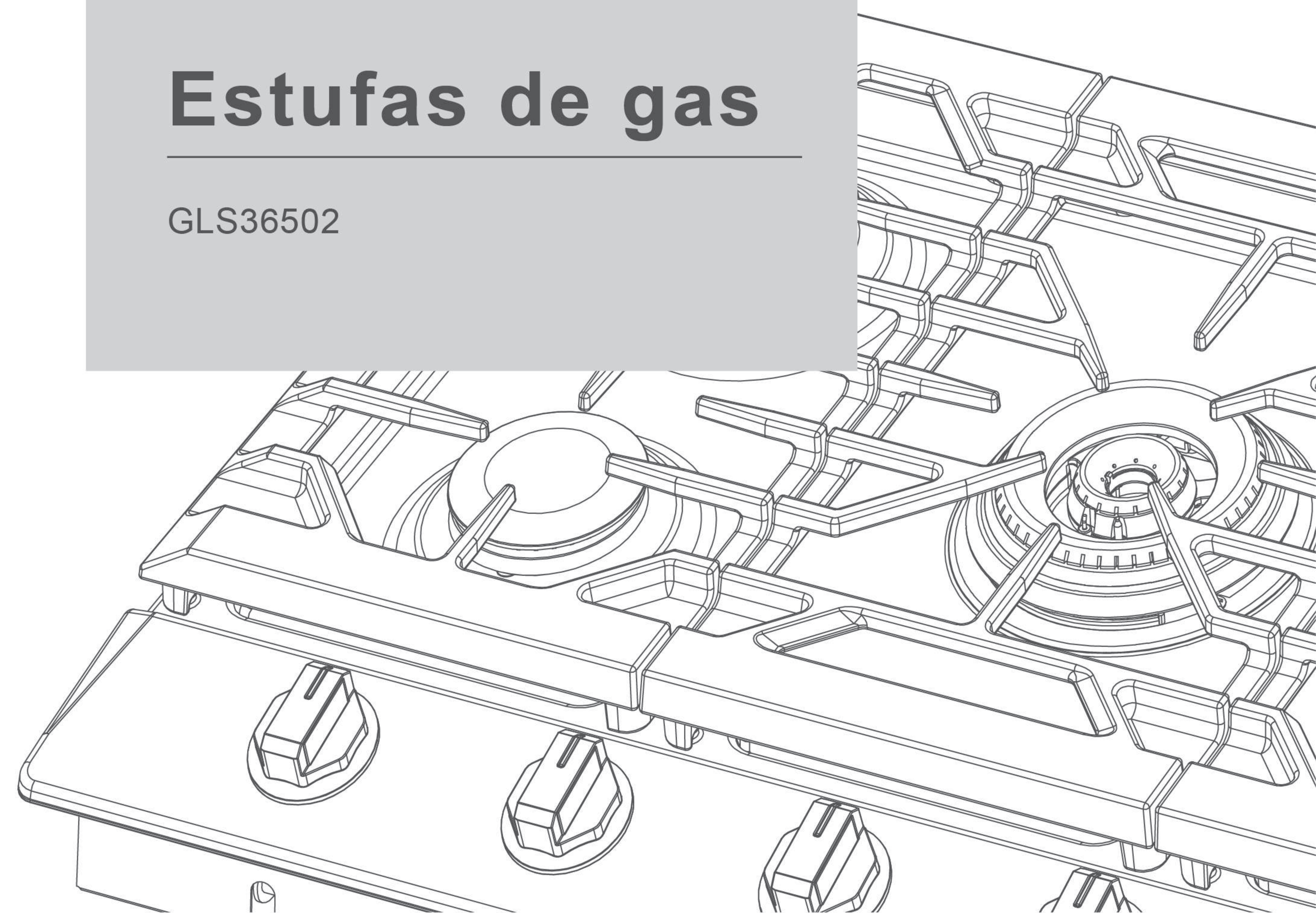
---

Lea todas las instrucciones antes de usar este aparato

## Estufas de gas

---

GLS36502



Every effort has been made to ensure that the information given in this manual is correct at the time of printing. However, due to the continuous product improvement, FOTILE reserves the right to make changes to the products and technical data without prior notice.

Manufactory: Ningbo Fotile Kitchenware Co., Ltd.

No.218 Binhai 2 Road, Hangzhou Bay New District, Cixi, Zhejiang, China

USA HQ : FOTILE AMERICA LLC.

6 Campus Dr, Suite 210, Parsippany, NJ 07054

Website : [WWW.FOTILEGLOBAL.COM](http://WWW.FOTILEGLOBAL.COM)



# Contenido

<b>Información Importante de Seguridad</b>	<b>2</b>
<b>Visión general</b>	<b>8</b>
Apariencia y estructura	8
Lista de empaque	9
<b>Lista de empaque</b>	<b>10</b>
Guía de montaje de hornilla	10
Instalación de rejillas	13
Encendido rápido	14
Dispositivo de falla de llama	14
Utensilios de cocina elegidos	14
Control de la perilla	15
Plancha	16
Rejillas del Wok	16
<b>Limpieza y Mantenimiento</b>	<b>17</b>
<b>Solución de problemas</b>	<b>18</b>
<b>Garantía</b>	<b>19</b>

## Información Importante de Seguridad

Lea todas las instrucciones detenidamente antes de usar este aparato. Guarde este manual. No lo pierdas.

### Su seguridad y la seguridad de los demás son muy importantes.

Hemos proporcionado mucha información importante de seguridad en este manual y en su electrodoméstico. Asegúrese de leer y seguir toda la información de seguridad.



Esta es una señal de advertencia de seguridad.

Este letrero le recuerda el peligro potencial de causar víctimas.

Toda la información de seguridad seguirá las señales de advertencia de seguridad, incluidas las palabras "PELIGRO" o "ADVERTENCIA".

Los significados de estas palabras son los siguientes:



Siga estrictamente las instrucciones de uso, de lo contrario, puede enfrentar peligro inmediato para la vida o lesiones graves.



Siga estrictamente las instrucciones de uso, de lo contrario, puede enfrentar peligro para la vida o lesiones graves.

La información de seguridad mencionará los riesgos potenciales, cómo reducir la posibilidad de lesiones y las posibles consecuencias de no seguir las instrucciones.

### ADVERTENCIA

Siga estrictamente la información de este manual, de lo contrario, podría provocar un incendio o una explosión, lo que provocaría la pérdida de propiedad, lesiones personales o peligro para la vida.

–No almacene ni use gasolina u otros gases y líquidos inflamables cerca de este equipo u otro equipo.

– QUÉ HACER SI HUELE A GAS:

- No encienda ningún equipo.
- No toque ningún interruptor eléctrico
- No use el teléfono en su edificio.
- Use el teléfono de su vecino para llamar a su proveedor de gas de inmediato. Siga las indicaciones del proveedor de gas.
- Si no puede contactar al proveedor de gas, llame al departamento de bomberos.

– La instalación y el mantenimiento deben ser realizados por instaladores calificados, organizaciones de mantenimiento o proveedores de gas.



**⚠️ ADVERTENCIA**

Las fugas de gas no se pueden detectar con precisión solo por el olor.  
 Los proveedores de gas recomiendan que usted use un detector de gas aprobado por UL o CSA.  
 Póngase en contacto con su proveedor de gas para obtener más información.

**⚠️ ADVERTENCIA**

Cuando use este aparato para cocinar, no lo deje desatendido.

- Respete estrictamente esta declaración de advertencia, de lo contrario, podría provocar un incendio o una explosión, lo que provocaría la pérdida de propiedad, lesiones personales o peligro para la vida.
- En caso de incendio accidental, manténgase alejado de este equipo y llame al departamento de bomberos de inmediato. No intente extinguir fuegos de petróleo con agua.

**IMPORTANTE**

No instale un sistema de ventilación que expulse aire hacia la estufa de gas. Este tipo de sistema de ventilación puede causar problemas de ignición y combustión de la estufa de gas, lo que puede provocar lesiones personales o accidentes.

**ADVERTENCIA DE LA PROPUESTA 65 DEL ESTADO DE CALIFORNIA**

**⚠️ ADVERTENCIA**

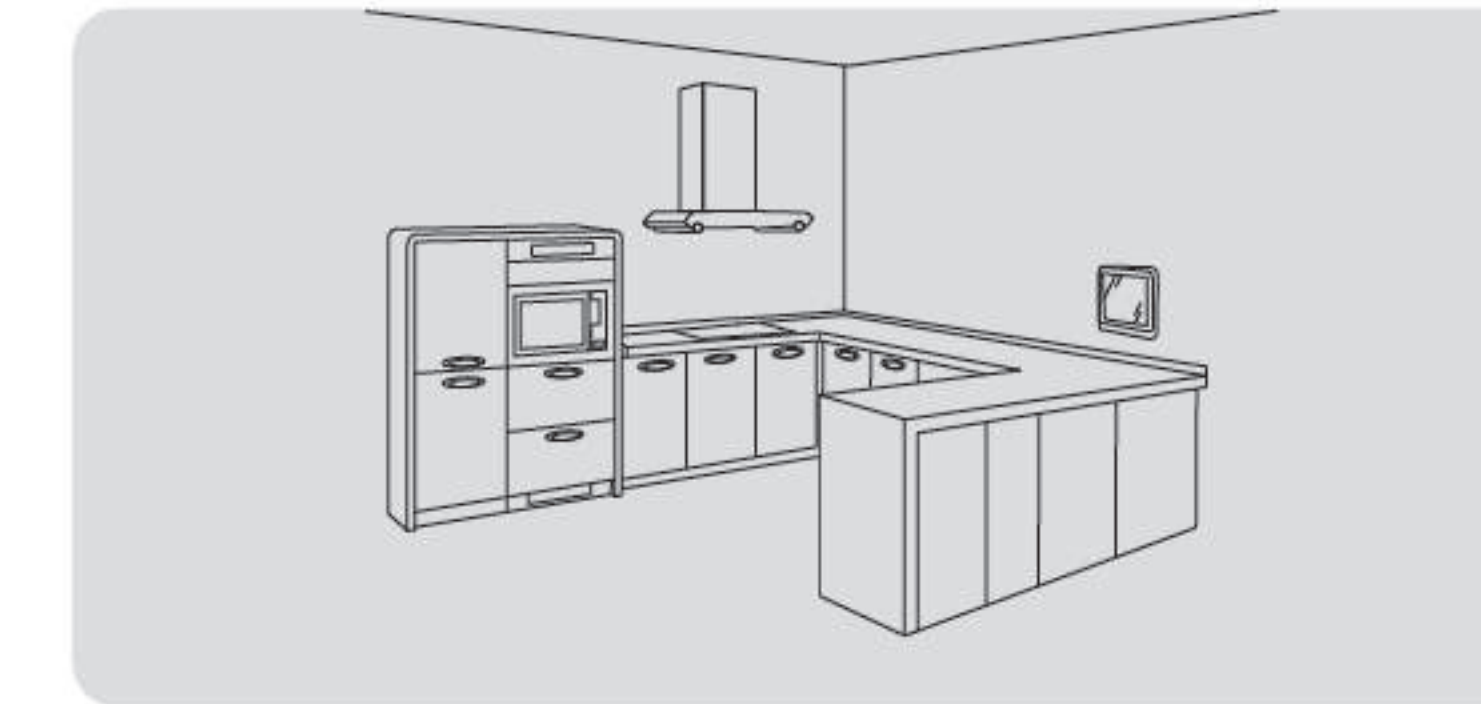
Este producto contiene uno o más productos químicos que el Estado de California sabe que causan cáncer, defectos de nacimiento u otros daños reproductivos.  
 Las estufas de gas pueden causar una exposición de bajo nivel a algunas de estas sustancias, incluidos el benceno, el monóxido de carbono, el formaldehído y el hollín, que se producen principalmente por la combustión incompleta de gas natural o combustible de propano.  
 Abrir ventanas o usar ventiladores o campanas de ventilación puede minimizar la exposición a tales sustancias.

**ESTADO DE MASSACHUSETTS**

En el estado de Massachusetts, se aplican las siguientes instrucciones de instalación:

- Las instalaciones y reparaciones deben ser realizadas por un contratista, plomero o instalador de gas calificado o con licencia calificado por el Estado de Massachusetts.
- Si usa una válvula de bola, debe ser del tipo de mango en T.
- Un conector de gas flexible, cuando se usa, no debe exceder 3 pies.

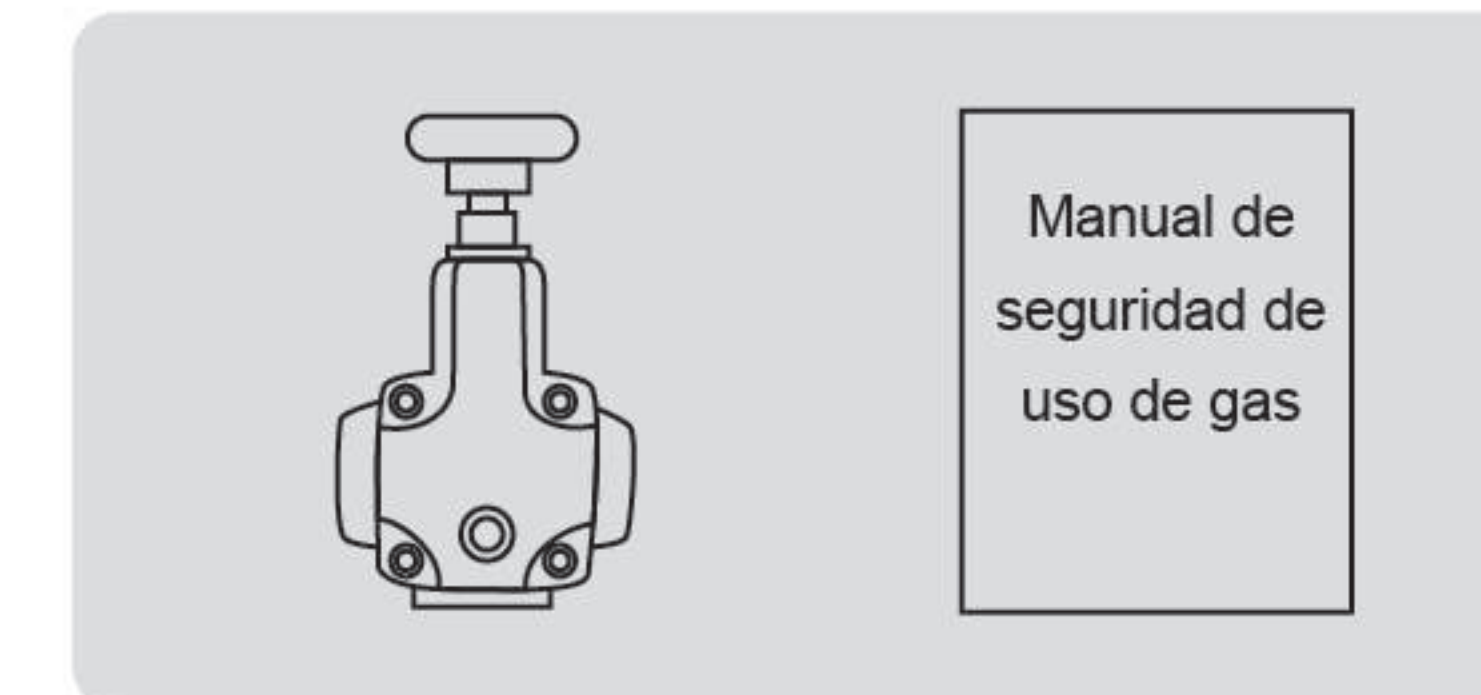
**SEGURIDAD GENERAL**



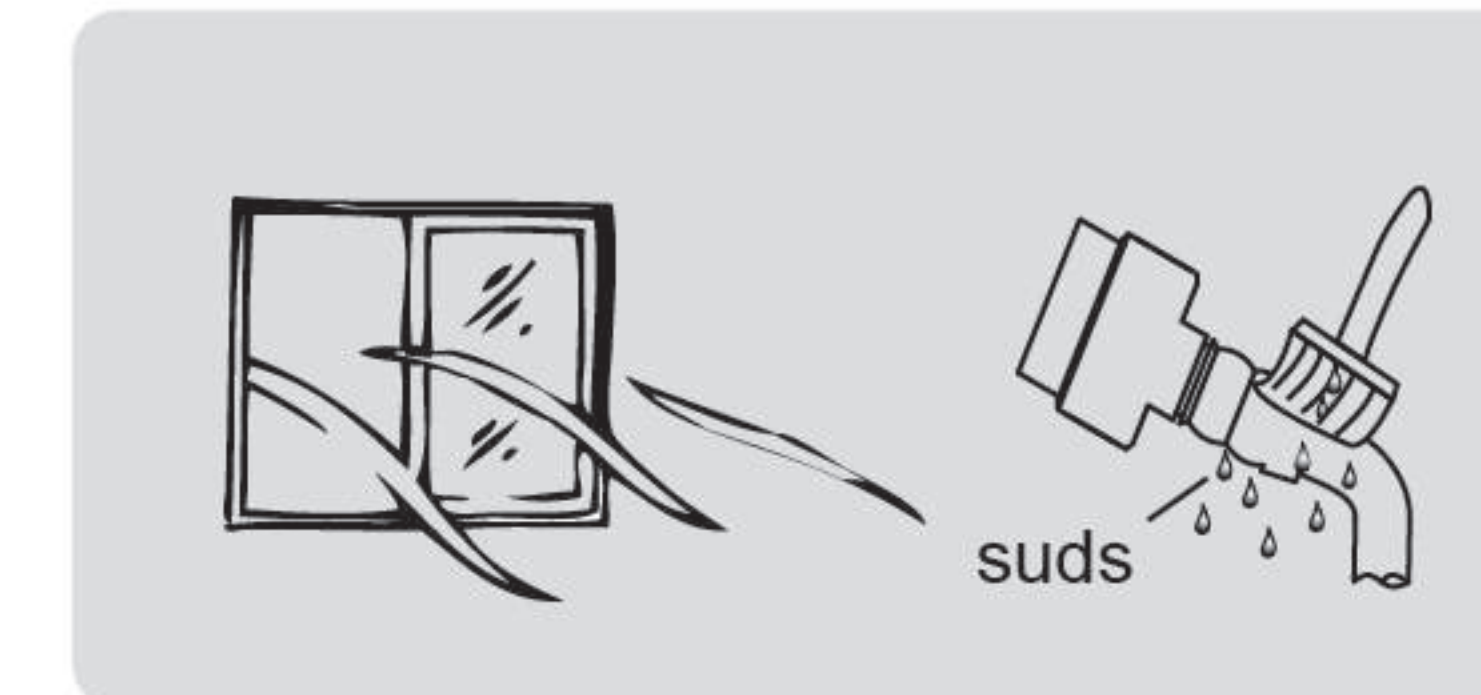
Esta estufa de gas solo se puede usar en una cocina doméstica. No la instale en una cocina comercial, baño, dormitorio, sótano ni en lugares donde pueda haber materiales corrosivos o explosivos.



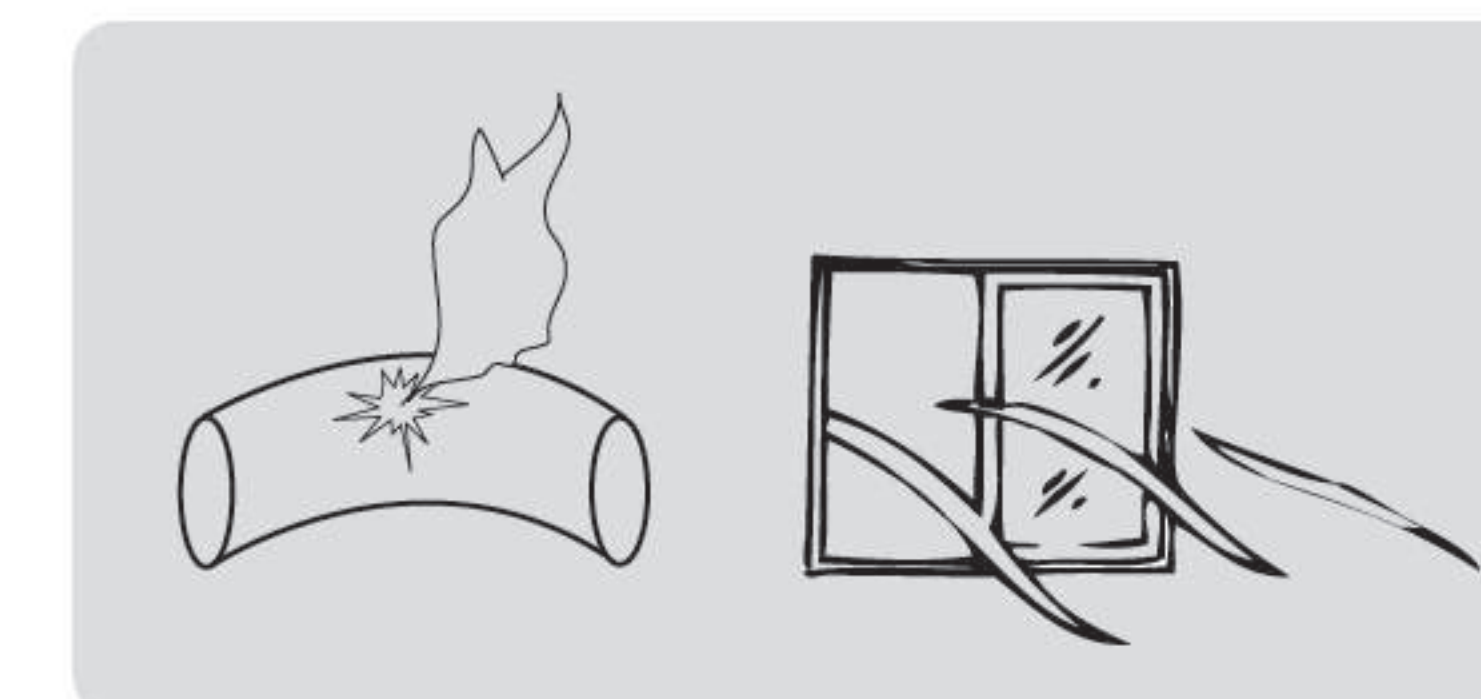
Solo utilice un técnico autorizado con licencia recomendado por Fotile para instalar esta estufa o realizar cualquier extracción, desmontaje o reparación de su Estufa Fotile.



Algunos proveedores de gas proporcionan el "Manual de seguridad de uso de gas". Debe solicitarle a la agencia de operación de gas el "Manual de seguridad de uso de gas" y cumplirlo.



Para evitar la asfixia durante la instalación o durante el uso, compruebe que no huele a gas. Si huele a gas, ventile el área antes de intentar encender nuevamente la estufa.



Si hay una fuga de gas y huele a gas, asegúrese de que la estufa esté apagada y abra una ventana para ventilar. Inmediatamente salga de su casa y use su teléfono celular para llamar al Centro de Servicio Fotile para su reparación. NO intente encender la estufa, encienda las luces de la cocina o use un teléfono de línea fija. Salga de su casa y llame al Servicio Fotile o al Servicio Público de Gas para solicitar servicio.



No opere la estufa cerca de una ventana abierta si hace viento afuera. El viento puede apagar la llama y provocar fugas de gas o mal funcionamiento.



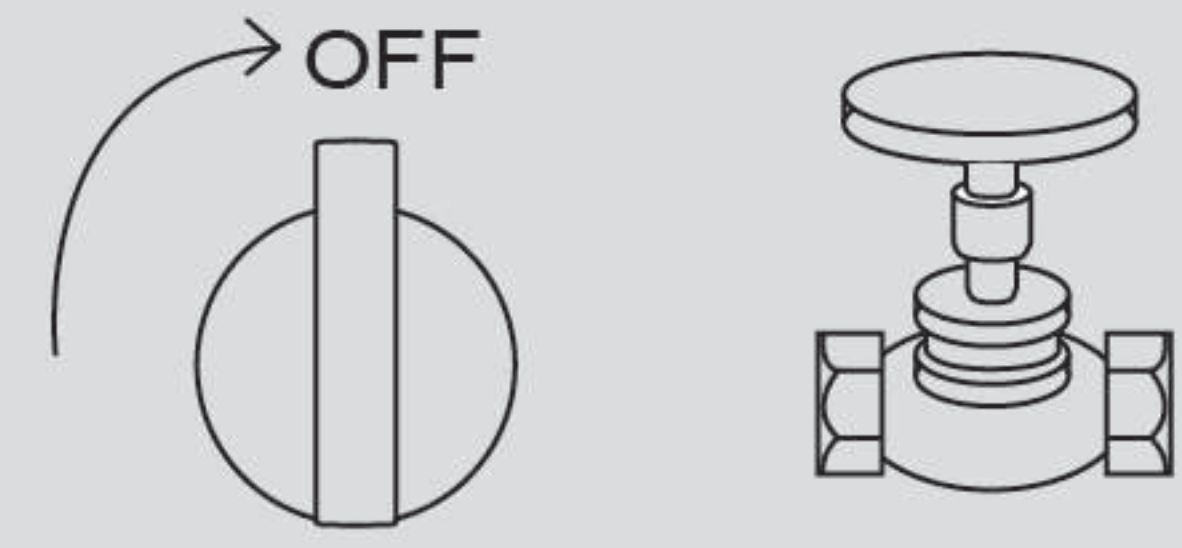
No opere la estufa cerca de una ventana abierta si hace viento afuera. El viento puede apagar la llama y provocar fugas de gas o mal funcionamiento.



Periódicamente reemplace la manguera de goma de gas resistente a la grasa para su estufa cada 1.5 años para garantizar un funcionamiento seguro de su estufa.



## Información Importante de Seguridad



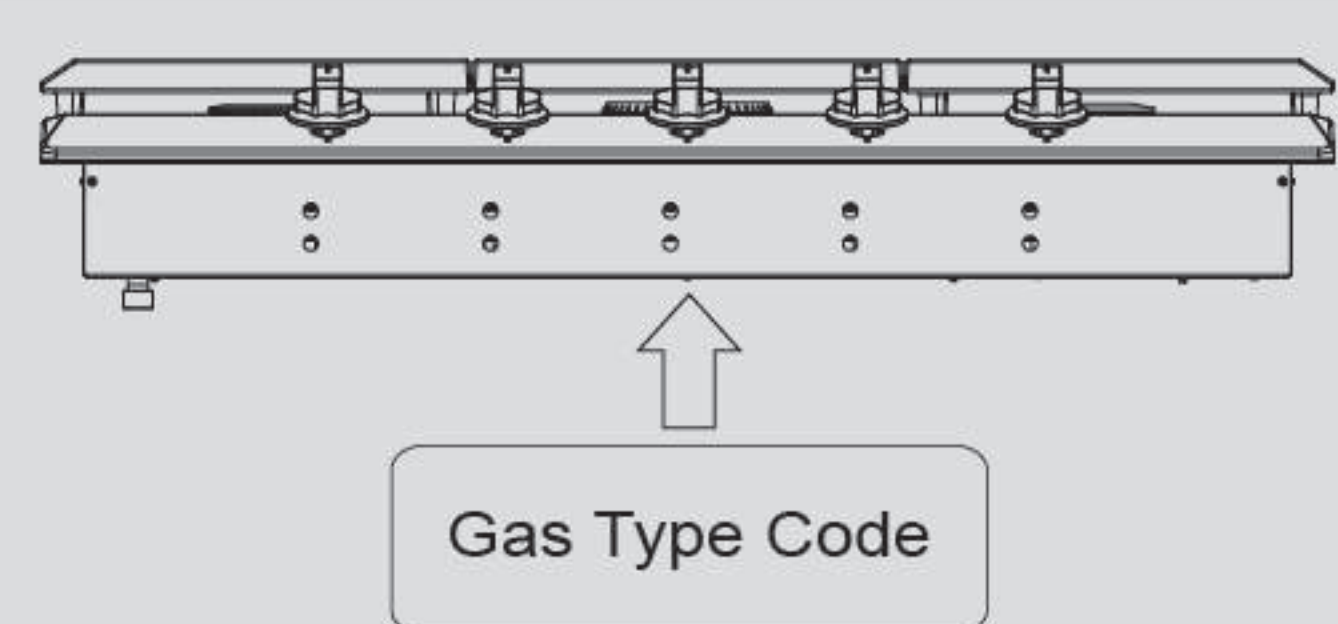
Nunca opere su estufa cuando esté durmiendo o cuando salga de la casa. Nunca debe dejar desatendida una estufa de gas que esté trabajando. Si se va a la cama o sale de su casa, asegúrese de apagarla.



Mantenga alejado los envases de plástico de niños pequeños para evitar asfixia.



No modifique este dispositivo.



Utilice la estufa Fotile únicamente con gas natural o gas licuado de petróleo. Esta estufa no puede utilizarse con otros tipos de gas.



Use esta estufa solo para cocinar alimentos. No intente usarla para otros fines, como secar la ropa o como calentador.



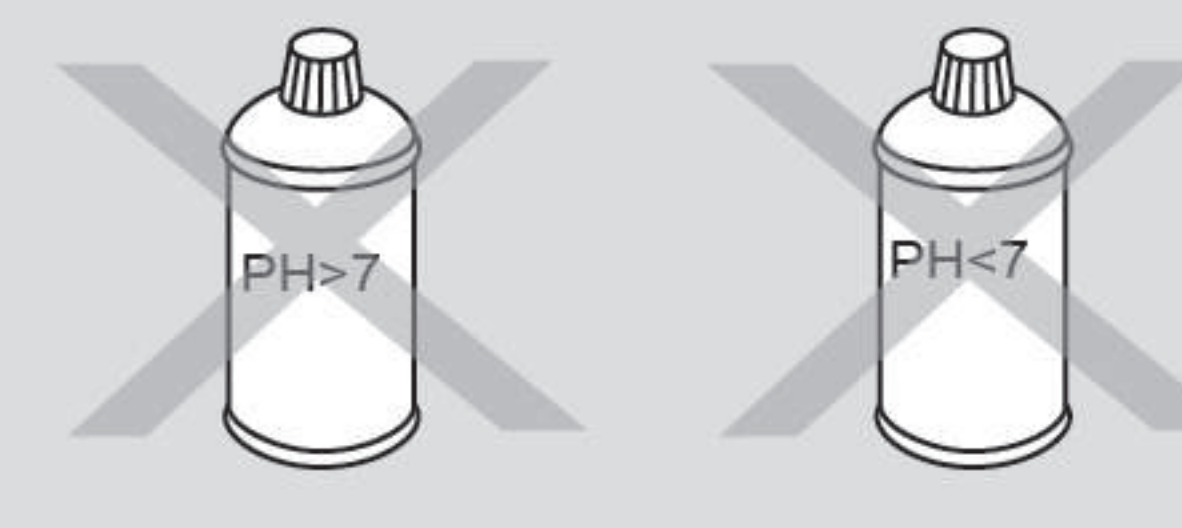
No intente usar la estufa cuando no hay sartén en la estufa o no hay comida en la sartén, ya que esto puede dañar su estufa y su sartén.



Para evitar quemarse, no toque la estufa ni sus quemadores inmediatamente después de usarla.



No coloque ningún material inflamable cerca de la estufa de gas.



No coloque ninguna sustancia ácida o alcalina sobre la estufa (vinagre, jugo de limón, etc.).

## Información Importante de Seguridad



No coloque nada sobre la estufa de gas entre la olla y las rejillas de la estufa; de lo contrario, la estufa de gas podría dañarse.



No coloque un wok directamente sobre el quemador. Utilice rejillas del Wok para cocinar.



No use ollas grandes ni elementos pesados en su estufa, ya que puede doblarla y causar daños y posibles lesiones.



Ubique las ollas en el centro de la parrilla de cocción, ya que las ollas o sartenes desiguales pueden dañar la estufa y causar posibles lesiones.



Utilice solo el soporte de wok proporcionado o recomendado por el fabricante del aparato.






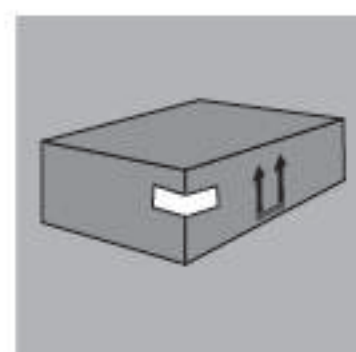

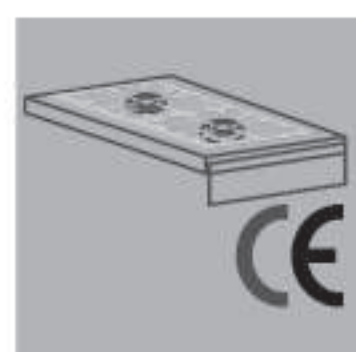







No rocíe latas de aerosol, materiales de limpieza o materiales peligrosos cerca de la estufa, ya que puede producirse un incendio o una explosión.



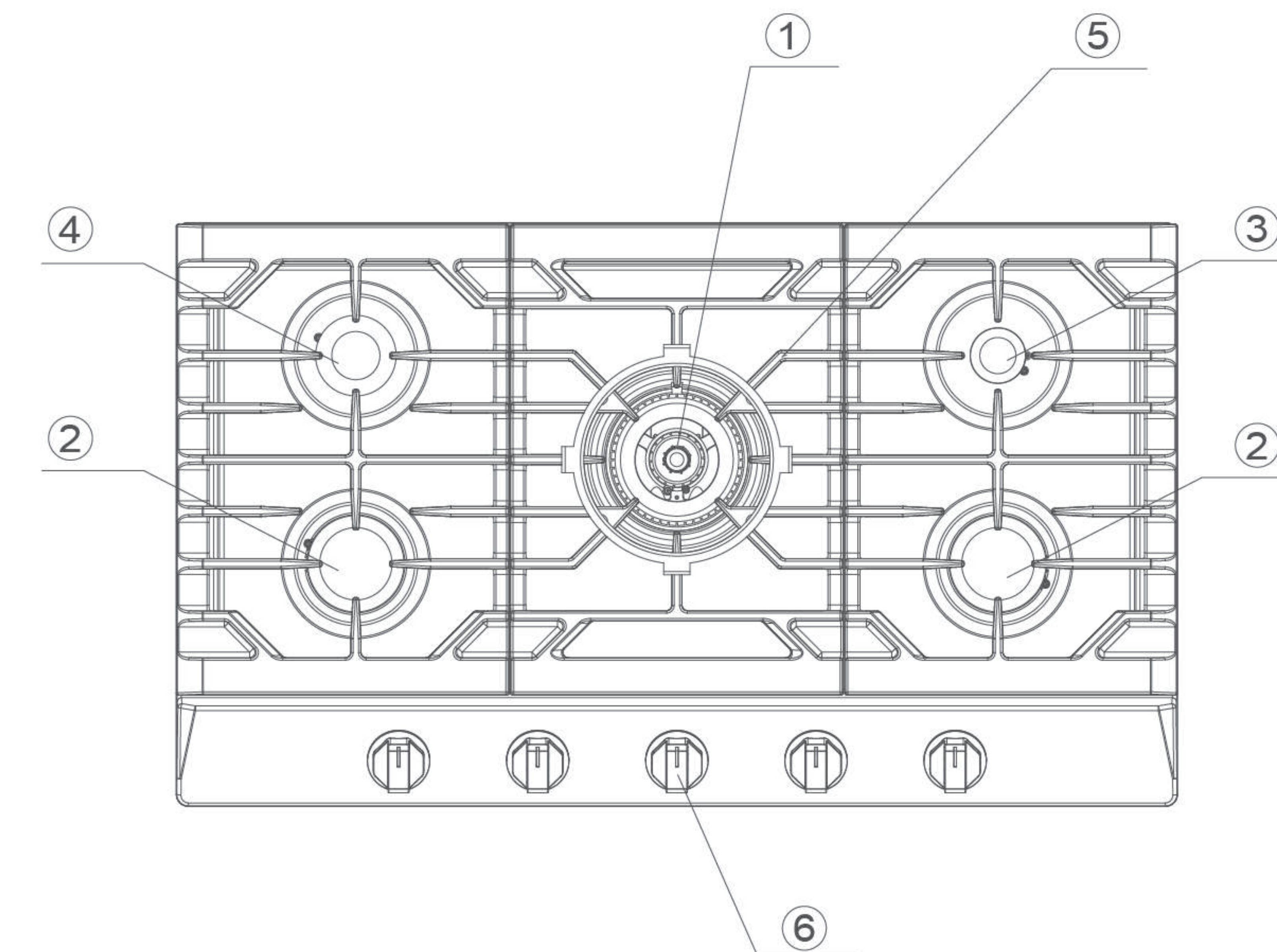
Por favor coloque los utensilios de cocina correctamente, la parte inferior de la olla no debe exceder el soporte (incluidos los lados frontal y posterior)



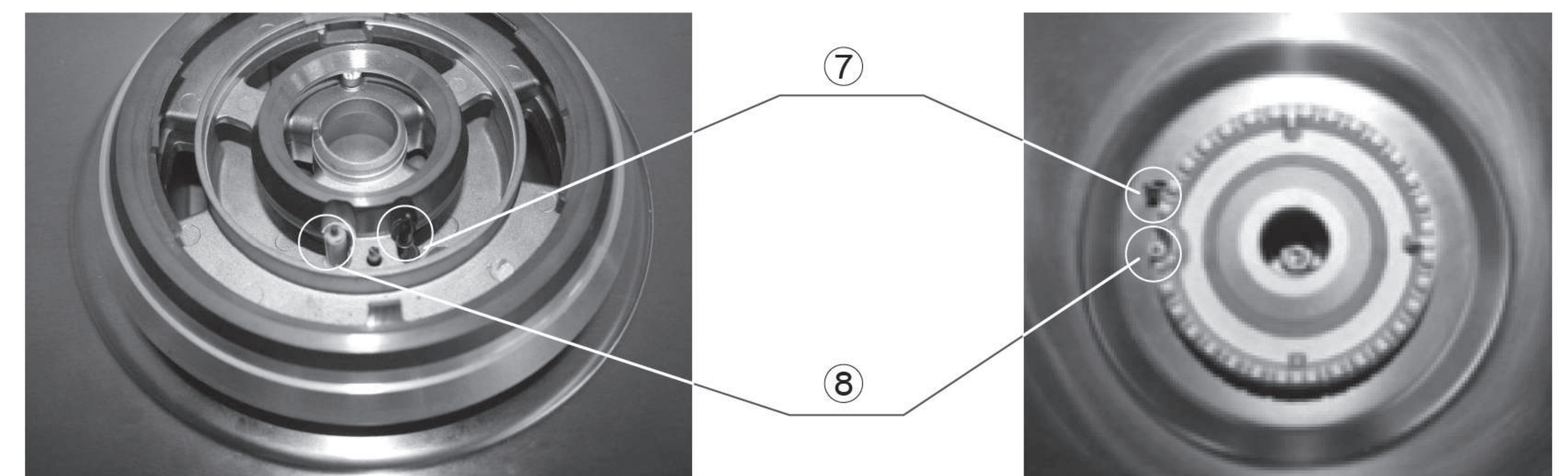
**SEGURIDAD GENERAL**

-  Este aparato no se puede conectar a ningún tipo de sistema de escape de combustión. Debe instalarse de acuerdo con las instrucciones de instalación locales y del fabricante. Se debe prestar especial atención al cumplimiento de los requisitos para una ventilación adecuada.
-  Antes de la instalación, asegúrese de que el tipo de suministro de gas local sea el adecuado para la estufa. Esta estufa es compatible con gas natural y gas licuado de petróleo. Consulte a su proveedor local de gas para garantizar la compatibilidad.
-  No utilice este equipo como un aparato de calefacción. Porque esto puede causar envenenamiento por monóxido de carbono y dañar la estufa de gas por sobrecalentamiento.
-  Deseche todos los materiales de embalaje en un contenedor de basura designada apropiada o guárdelos en un lugar seguro fuera del alcance de los niños.
-  Nunca bloquee las aberturas para ventilación y dispersión de calor.
-  La placa de identificación del producto que contiene datos técnicos, número de serie y otra información importante del producto, nunca la quite desde la estufa. Esta es información importante para un técnico de mantenimiento sobre la estufa.
-  (Peligro de superficie caliente) Nunca toque la superficie de la estufa ni ninguno de sus componentes durante o inmediatamente después del uso, ya que pueden calentarse mucho.
-  (Peligro de incendio) Nunca deje la estufa de gas desatendida cuando esté en uso. Quemar alimentos puede provocar un incendio y causar lesiones personales.
-  No rocíe aerosoles cerca de la estufa cuando esté en uso. Porque esto puede causar incendios y lesiones personales.
-  (Peligro de explosión) No utilice la estufa cerca de materiales inflamables. No almacene ningún material inflamable cerca de la estufa. De lo contrario, puede causar lesiones personales.
-  Este dispositivo es solo para adultos. Mantenga una distancia segura de los niños.
-  Siempre verifique que las perillas de control estén apagadas después de cada uso.
-  El fabricante no será responsable de las lesiones o daños causados por el incumplimiento de las normas anteriores o la manipulación o modificación de la estufa de gas con piezas no originales.

**■ Apariencia y estructura**



- ① Centro: 22000BTU, Hornilla de tres anillos multifunción
- ② Delantero derecho / Delantero izquierdo: 13000BTU, Hornilla de velocidad alta
- ③ Trasero derecho: 3000BTU, Hornilla auxiliar
- ④ Trasero izquierdo: 6000BTU, Hornilla de velocidad media
- ⑤ Rejillas integradas de cocción
- ⑥ Perillas octogonales



Quemador central

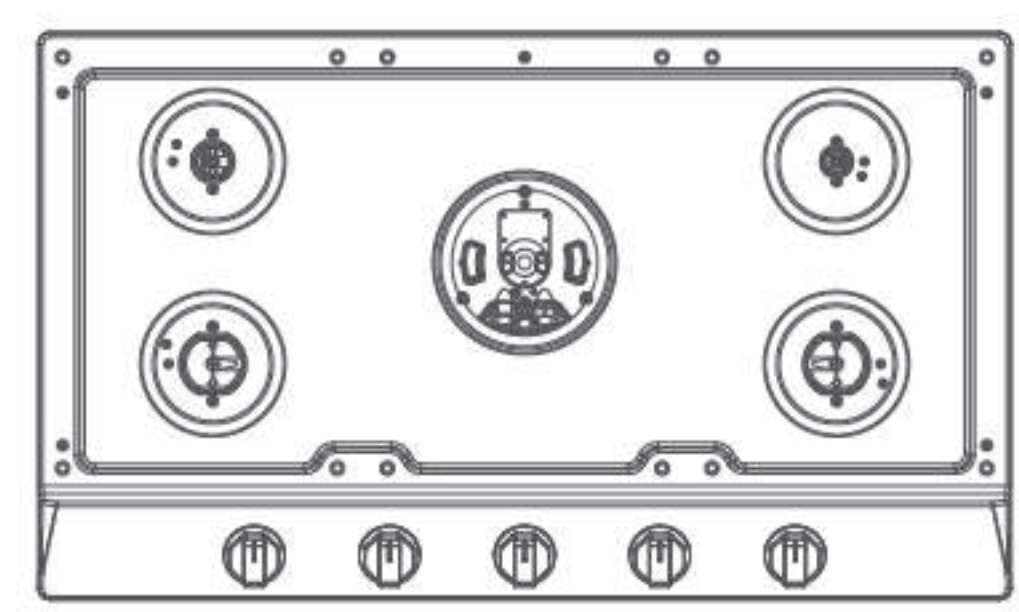
Otros quemadores

- ⑦ Par termoeléctrico

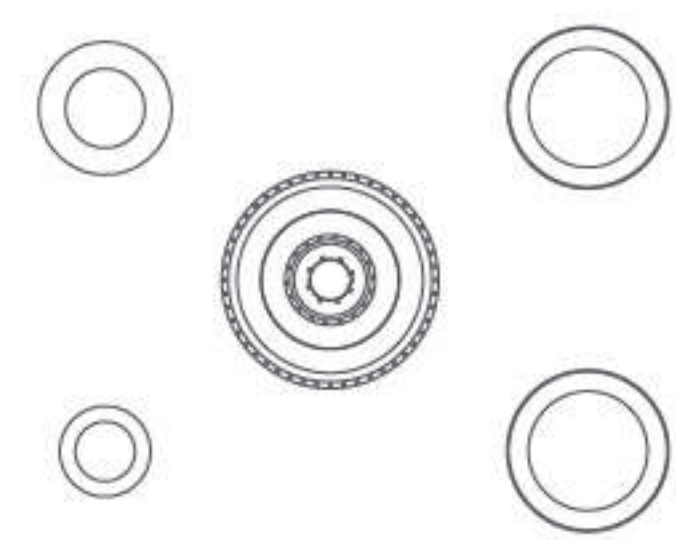
- ⑧ Dispositivo de encendido



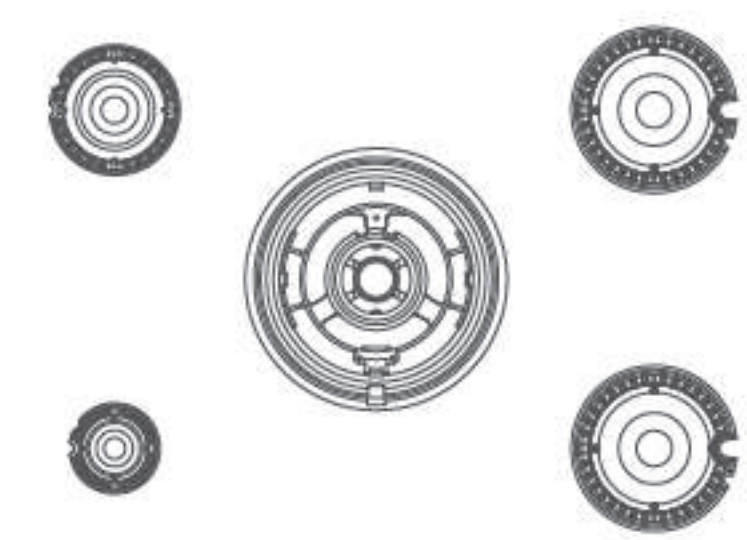
■ Lista de empaque



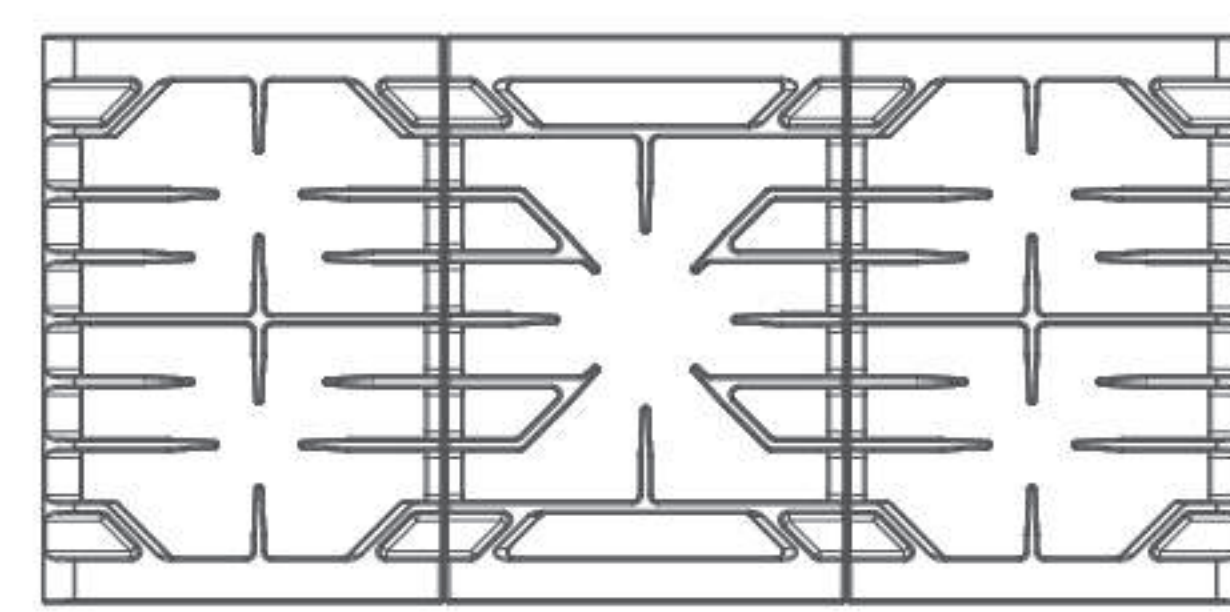
Estufa de gas (1)



Tapa de hornilla (6)



Cabeza de hornilla (5)



soporte de la olla (3)



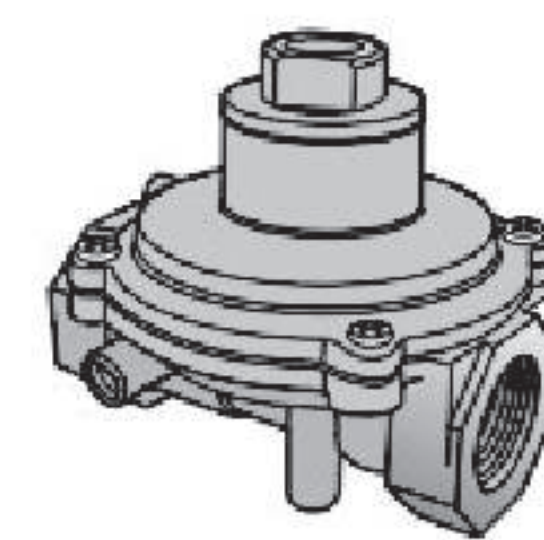
Manual de usuario (1)



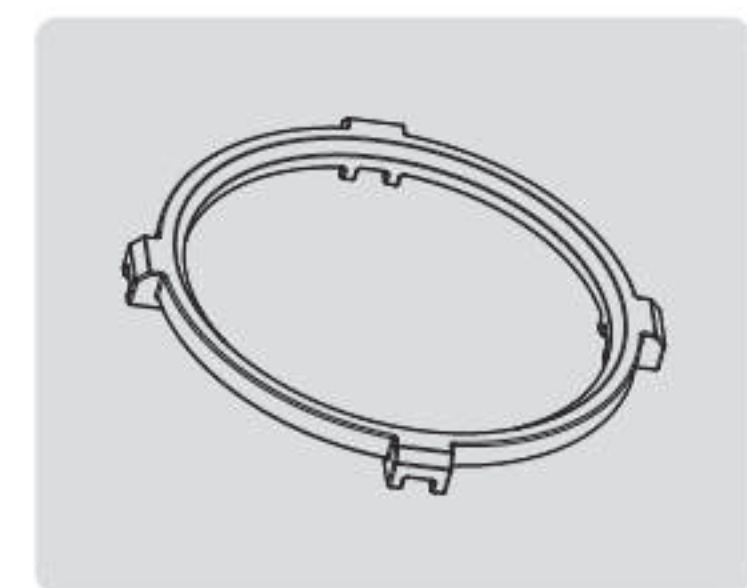
Manual de instalación (1)



Tarjeta de garantía (1)



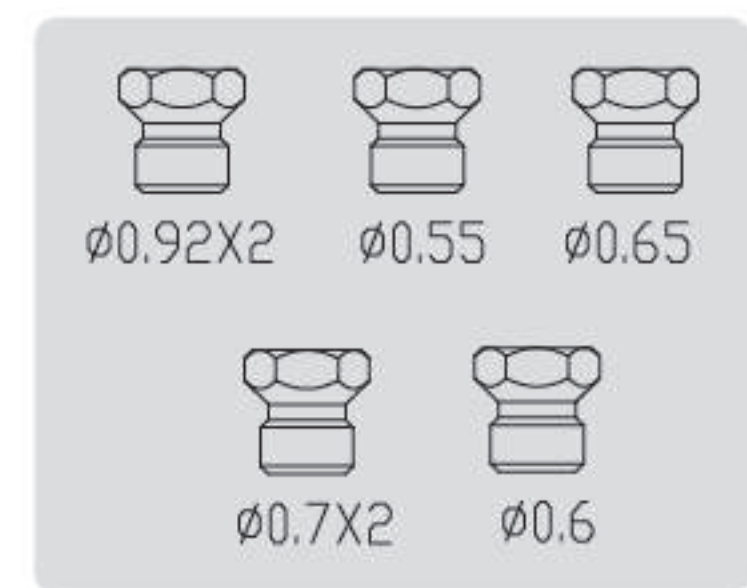
Regulador de presión (1)



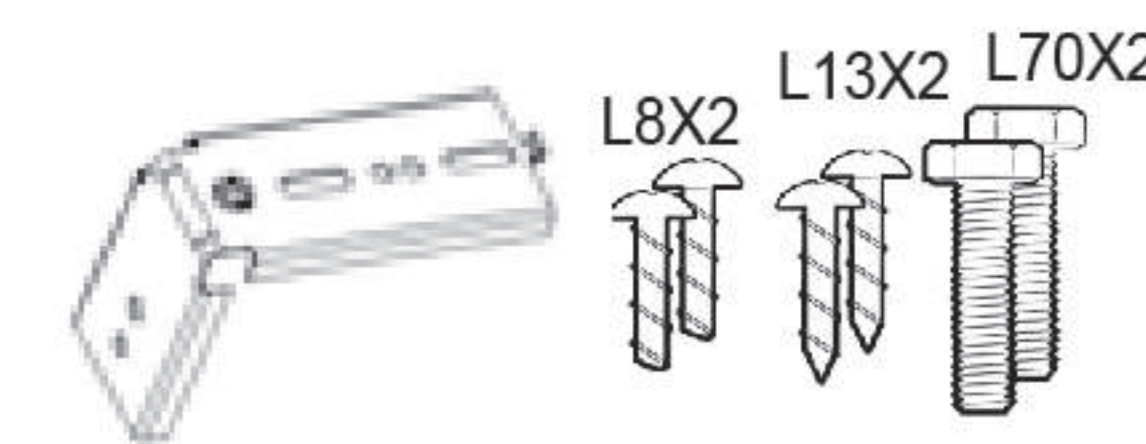
Rejillas del Wok (1)



Guía de montaje de hornilla(1)



Boquilla de gas licuado de petróleo (7)



Soporte de montaje en panel (2)  
Tomillo (6)

■ Guía de montaje de hornilla

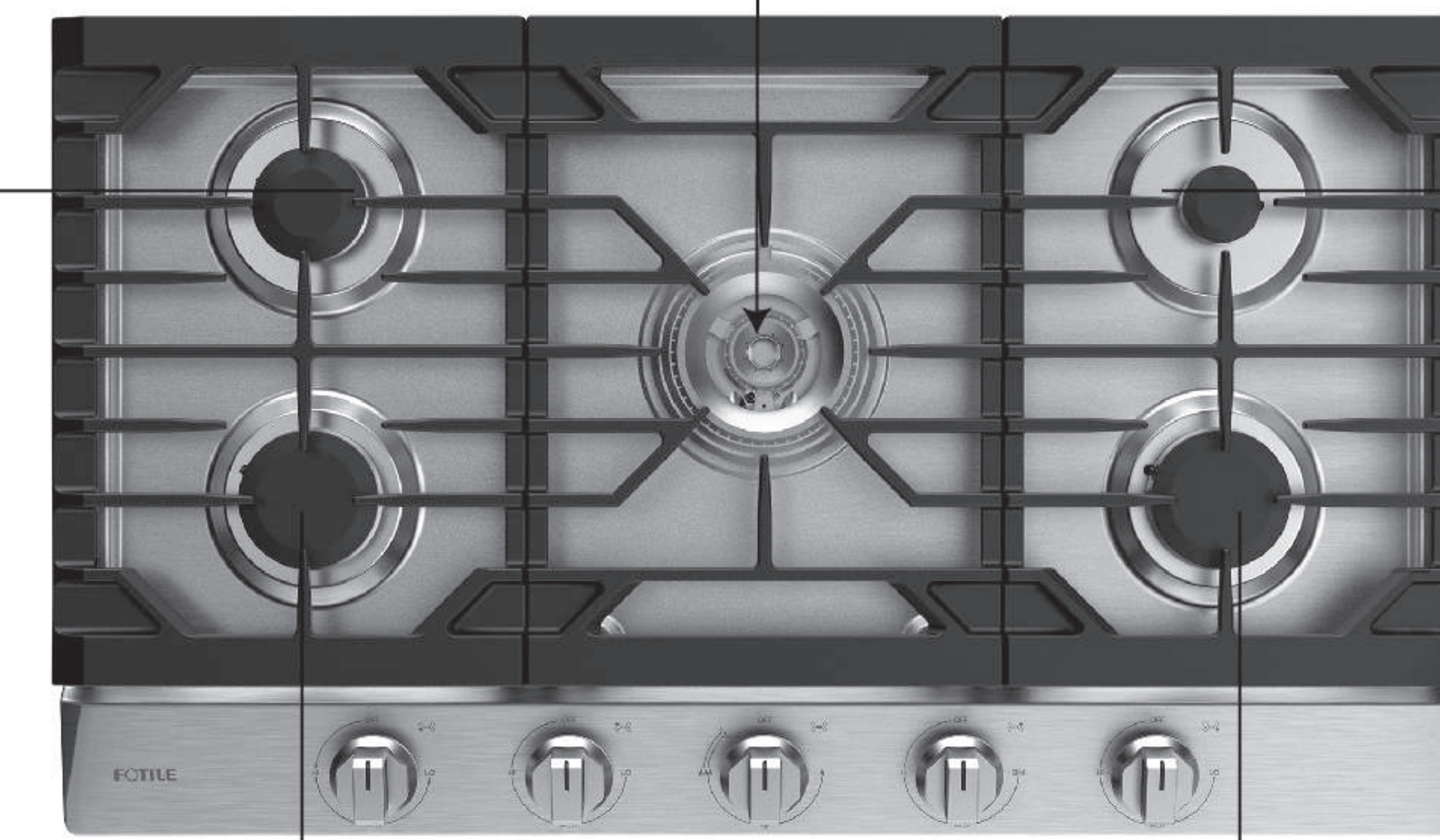


Tapa exterior de homilla

Cabeza de homilla de tres anillos

Tapa interior de homilla de tres anillos de homilla

Centro: 22000BTU Hornilla de tres anillos



Trasero izquierdo: 6000BTU  
Hornilla de velocidad media



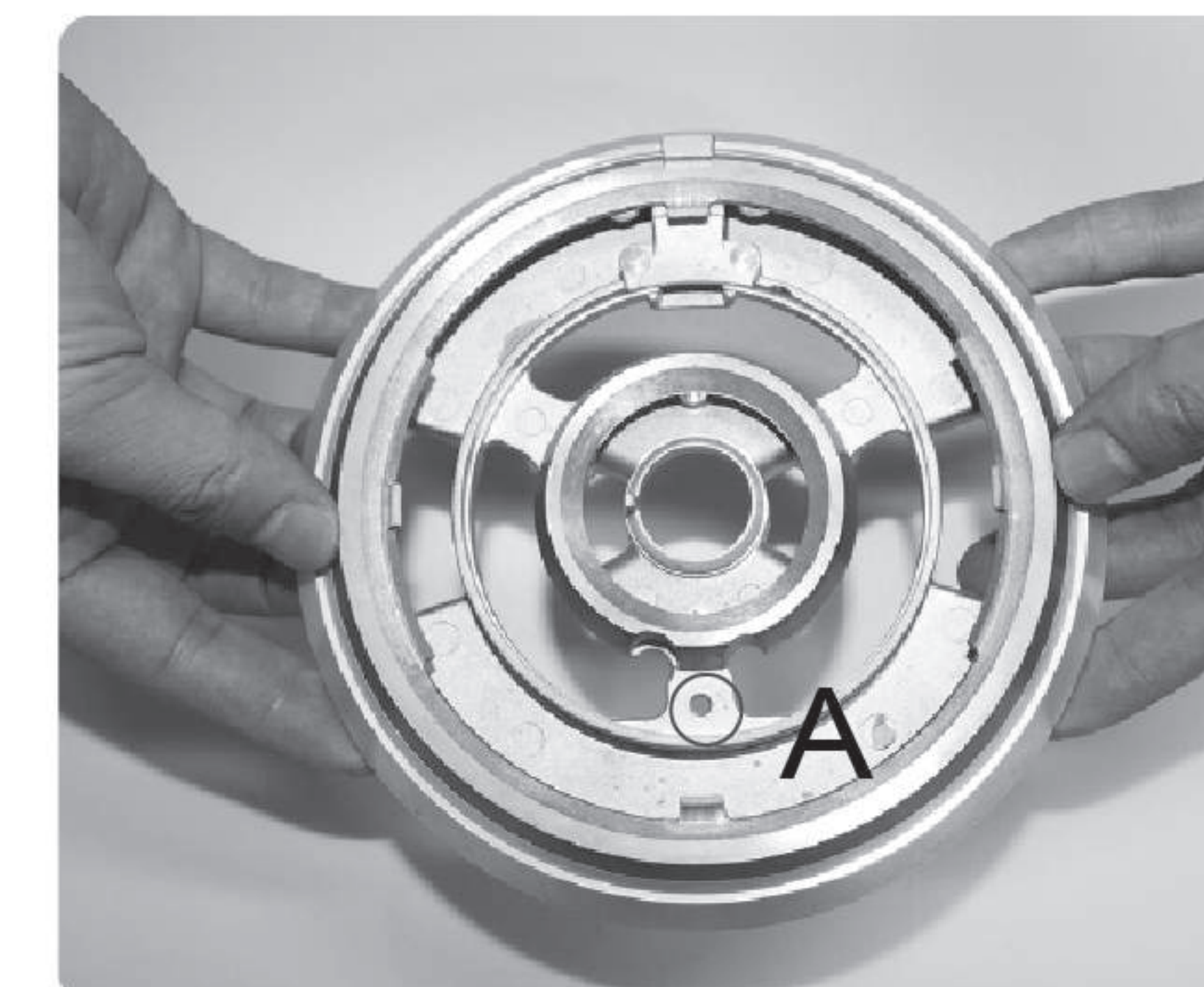
Delantero izquierdo/Delantero derecho: 13000BTU  
Hornilla de velocidad alta



Trasero derecho: 3000BTU  
Hornilla auxiliar

Guía de montaje de la cabeza de hornilla de tres anillos

1. Sostenga la cabeza de hornilla de tres anillos con el lado plateado hacia abajo y luego encuentre el orificio "A"





## Lista de empaque

- Deje que el orificio "A" este alineado con la aguja "B", luego coloque la cabeza de hornilla de tres anillos en la estufa y asegurese de que este firmemente asentado.



- Coloque la tapa exterior de hornilla en la cabeza de hornilla de tres anillos y gírela suavemente después de colocarla para asegurarse de que la tapa exterior de hornilla este en su lugar (la tapa exterior de hornilla se puede girar en cualquier posición).



- Coloque la tapa interior de hornilla en la cabeza de hornilla de tres anillos, asegurándose de que las muescas estén alineadas. Asegurese de que la tapa interior de hornilla este en su lugar.



- Verifique que la cabeza de hornilla de tres anillos / tapa de hornilla este en su lugar. Si la cabeza de hornilla / tapa de la hornilla es desigual o inestable, debe retirar y reinstalar.

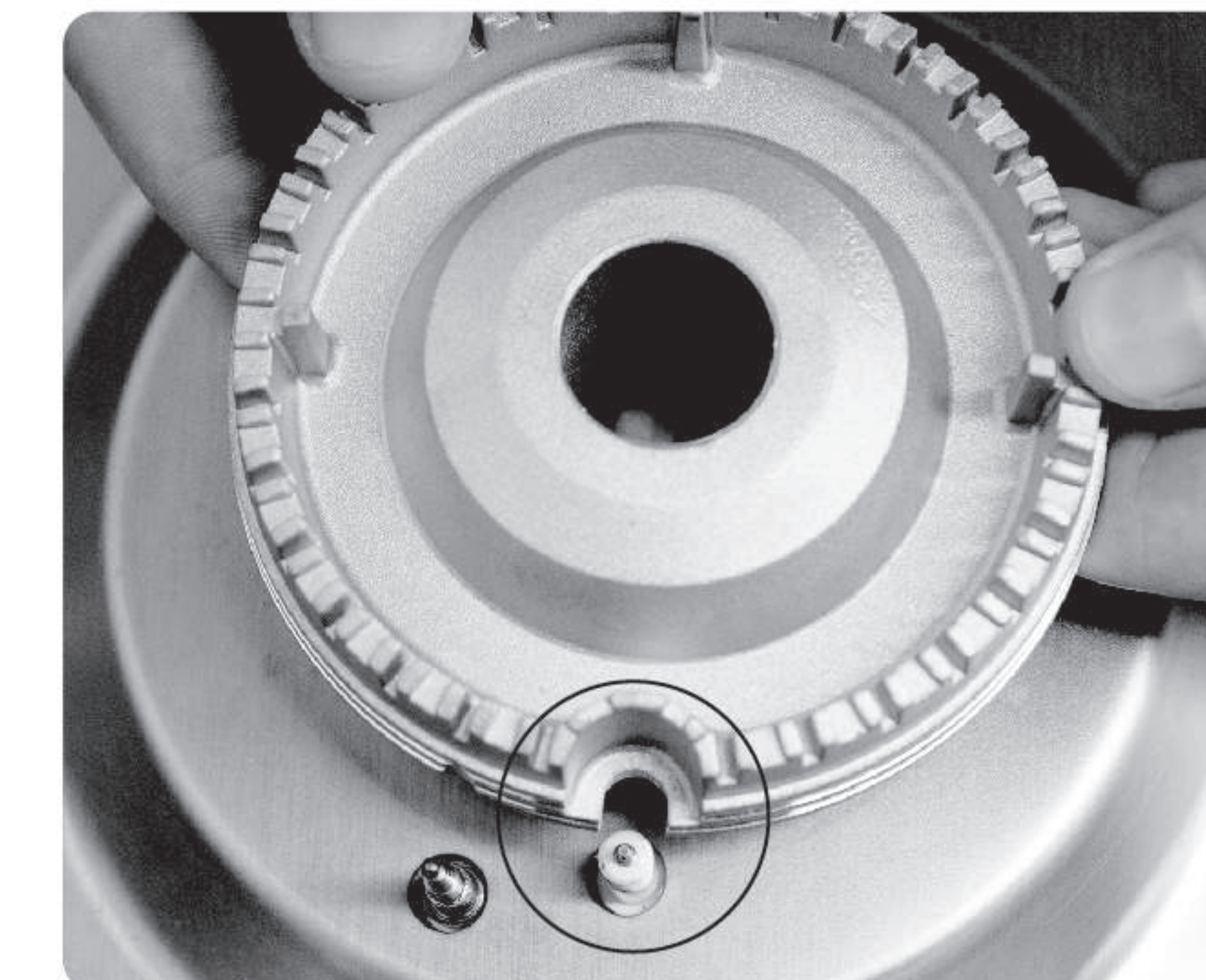
## Lista de empaque

### Guía de montaje de otras hornillas

- Identifique la hornilla de velocidad alta / de velocidad media / auxiliar y la tapa de hornilla por tamaño 13000BTU > 6000BTU > 3000BTU
- Saque la cabeza de hornilla y encuentre la muesca "C" para que quede del mismo lado que la aguja de encendido "D".



- Coloque la tapa de hornilla en la cabeza de hornilla y gírela suavemente para asegurarse de que la tapa de hornilla este en su lugar.



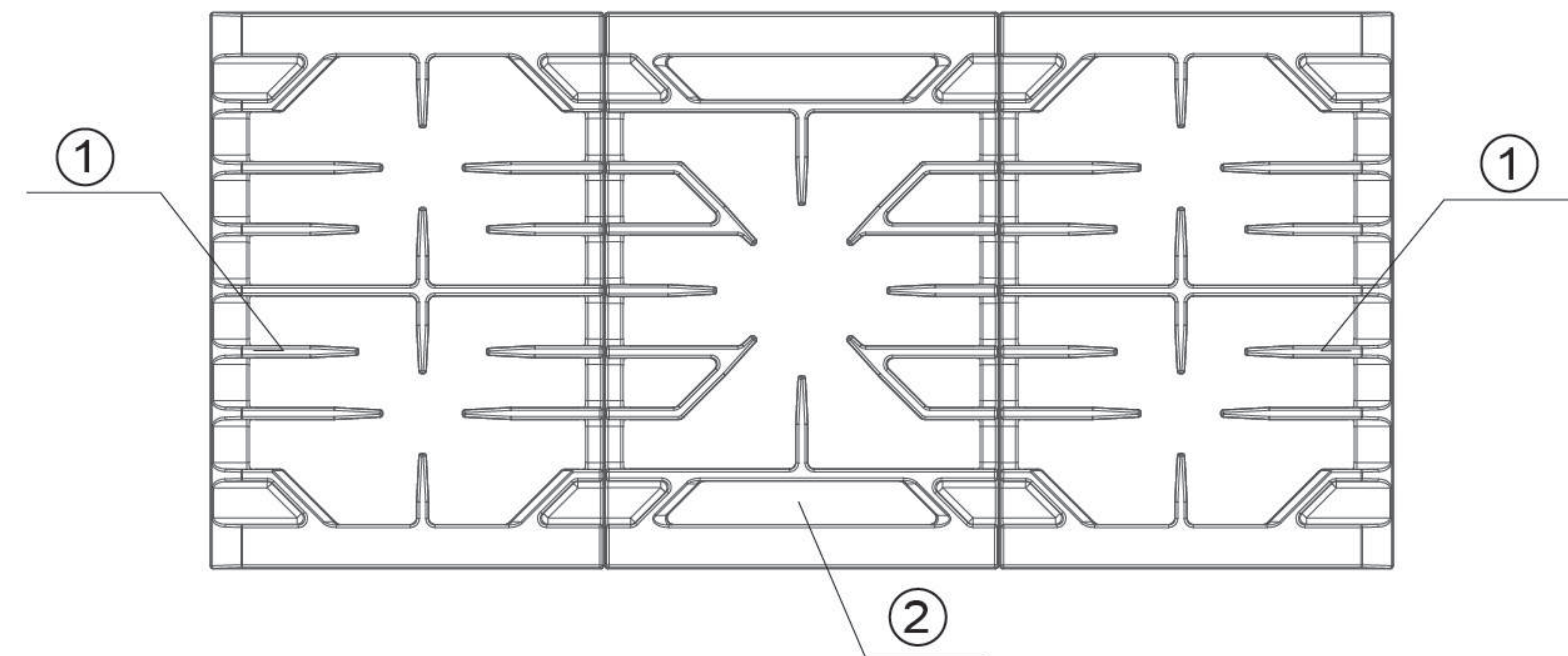
- Verifique que la cabeza de hornilla / tapa de hornilla este en su lugar.



- Verifique que la cabeza de hornilla de tres anillos / tapa de hornilla este en su lugar. Si la cabeza de hornilla / tapa de la hornilla es desigual o inestable, debe retirar y reinstalar.



■ **Instalación de rejillas**

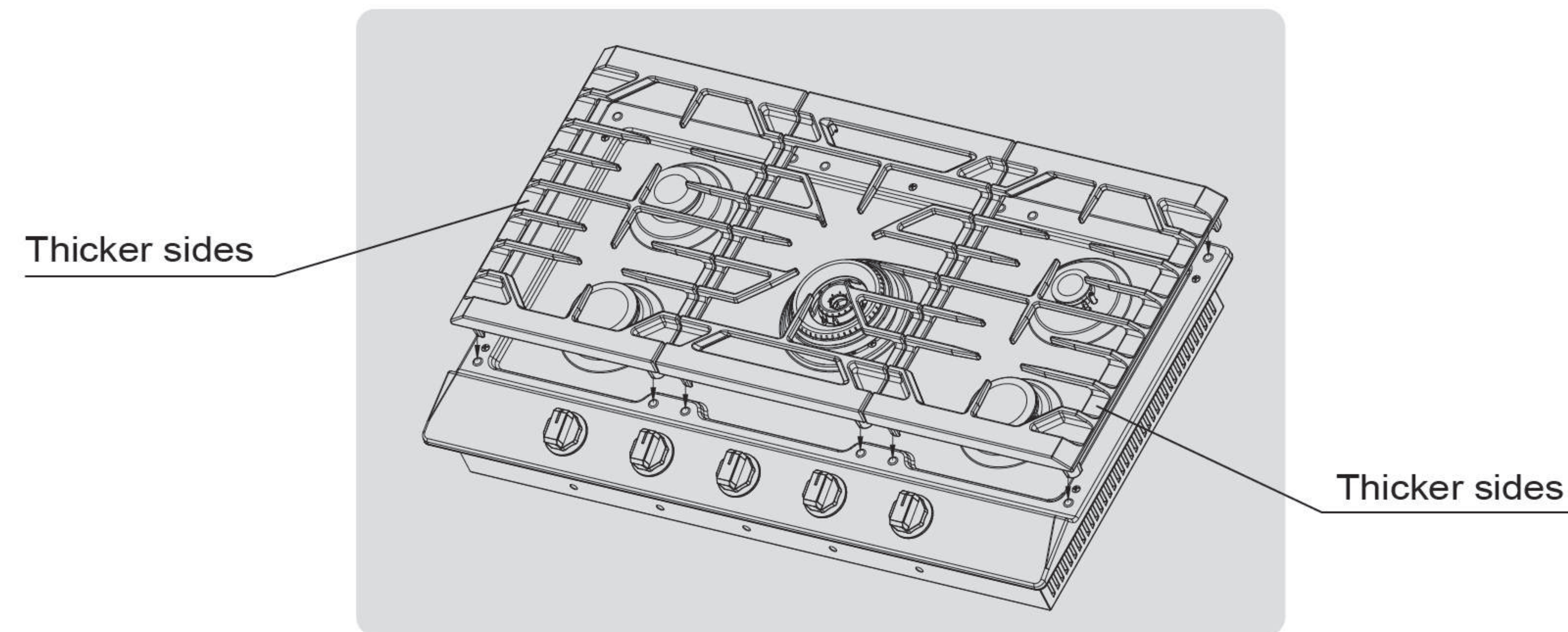


① Soporte de olla izquierda / derecha (igual, se puede cambiar)    ② Soporte central

Hay tres soportes de la olla: izquierda / centro / derecha. Para una mejor estabilidad, asegúrese de que los tres soportes de la olla estén colocados en la posición correcta.

**Siga los pasos a continuación para instalar el soporte de la olla:**

1. Saque 3 soportes de olla y encuentre el soporte central. (Los soportes izquierdo y derecho son iguales y se pueden cambiar)
2. Baje suavemente el soporte de la olla central para que las patas de soporte de olla central se coloquen en el saliente del panel.
3. Saque uno de los otros dos soportes de la olla y alinee el lado más grueso con el exterior de la estufa.
4. Baje suavemente para que las patas del soporte de la olla se coloquen en el saliente del panel.
5. Haga lo mismo para el soporte de la olla.
6. Si se instala correctamente, las tres rejillas no se afectarán entre sí.



■ **Encendido rápido**

Use la perilla para controlar el quemador. Esta estufa está equipada con un dispositivo de encendido electrónico, simplemente presione la perilla hasta el final y gírela en sentido antihorario hasta HI hasta que el quemador se encienda y suelte. Si no se enciende dentro de los primeros 15 segundos, gire la perilla hacia OFF y espere 60 segundos antes de intentar encenderlo nuevamente. Esta estufa tiene un dispositivo de encendido rápido. Cuando se suelta la perilla, la válvula solenoide no cortará la energía inmediatamente. Todavía mantendrá una corriente continua para proporcionar energía a la aguja de encendido. Por lo tanto, el encendedor continuará manteniendo el estado de ignición durante 1 a 3 segundos, lo que mejora la tasa de éxito del encendido.

■ **Dispositivo de falla de llama**

Si la llama se apaga accidentalmente, el dispositivo de seguridad cortará automáticamente el canal de gas después de unos 60 segundos, incluso si la perilla del quemador todavía está encendida, cortará automáticamente el suministro de gas a la estufa. Si esto sucede, gire la perilla del quemador a la posición OFF y espere al menos 60 segundos antes de intentar volver a encender el quemador.

■ **Utensilios de cocina elegidos**

**Para garantizar los mejores resultados de cocción, elija la olla adecuada:**

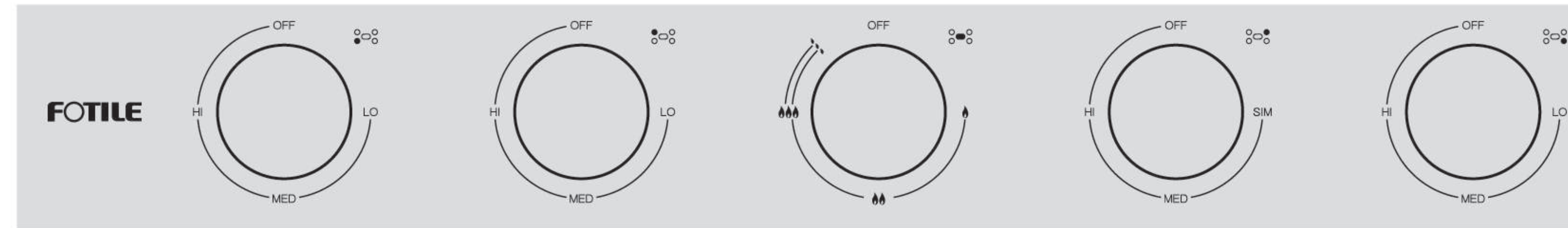
1. Asegúrese de que el diámetro de la olla utilizada sea mayor o igual que el diámetro de cocción, puede consultar la siguiente tabla;
  2. Evite la fricción de la superficie, use una olla limpia con un fondo liso;
  3. El quemador central puede usar un wok, si usa un wok, use la rejilla del wok;
- Elija el material correcto para la olla y asegúrese de que la olla pueda usarse en la estufa de gas.

Quemador correspondiente	Tamaño más pequeño	Tamaño más grande
RF/LF	N/A	10in
M	6in	12in
RR	N/A	8in
LR	N/A	10in

Asegúrese siempre de que las manijas de su olla estén orientadas hacia usted o hacia los lados cuando use la estufa. Asegúrese de no tener una manija sobre una hornilla caliente. Esto minimizará la posibilidad de accidentes o lesiones personales.



■ Control de la perilla



Gire las perillas de control en sentido antihorario para ajustar el nivel de llama. 90 ° para llama alta, 180 ° para llama media y 270 ° para llama baja.

La perilla central controla el quemador de tres anillos. El anillo externo se controla por separado y los dos anillos internos se ajustan simultáneamente. Cuando la perilla se gira a 90 °, los tres anillos del fuego estarán en el estado máximo y alcanzará la llama alta. Gire la perilla de 90 ° a 180 ° y la llama externa se reducirá gradualmente mientras las dos llamas internas permanecieron sin cambios. A 180 ° la llama externa está en el estado de combustión mínima, mientras que las llamas internas permanecen sin cambios. Si continúa girando la perilla central de 180 ° a 270 °, el anillo de fuego externo se desvanece gradualmente y luego las llamas internas comienzan a disminuir. A 270 ° los anillos de llama internos están en un estado de llama mínimo. Gire la perilla a cualquier posición entre 90 ° y OFF y el anillo exterior y los 2 anillos internos cambian sincrónicamente para garantizar que la olla se caliente de manera uniforme.

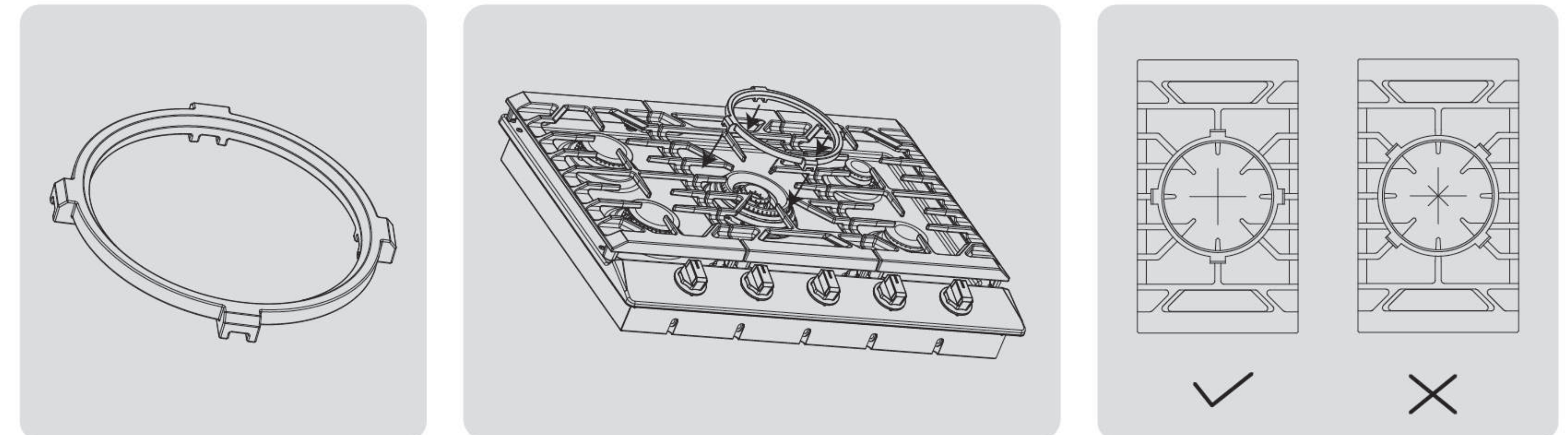
Quemador	Propósito	Características	Tipo de comida
RF/LF	Calentamiento rápido Cocina de uso general	Buena fuente de calor medio a alto, quemadores de uso múltiple	Todo tipo de comida
C	Hervir, saltear, dorar, freír, hervir con agua, hervir a fuego lento.	Quemador de tres anillos multifunción, de 22,000BTU a 2,500BTU, cobertura total desde fuego grande hasta fuego pequeño	Salteados, Carnes, Verduras, Huevos, Panqueques, Crepes, Sopas, Salsas
	Wok	Calentamiento rápido	Salteados, Fritos
RR	A fuego lento, mantener caliente y calentar	Alimentos que requieren poco calor durante mucho tiempo.	Salsas, mantequilla de chocolate, guisos.
LR	Cocina general	Calor bajo / medio a fuego lento	Cocina de uso general

■ Rejillas del Wok

Rejillas del Wok:

El wok se usa generalmente para freír. Asegúrese de que el wok esté colocado en la rejilla de wok para su uso.

1. El accesorio de la rejilla del wok solo se puede colocar en el quemador central.
2. No intente mover la estufa y la rejilla del wok hasta que se hayan enfriado por completo.
3. No use sartenes de gran tamaño, ya que pueden propagar llamas y causar daños personales.
4. No use la rejilla wok y la plancha al mismo tiempo.



■ Conversión de fuentes de gas GLP

Todas las estufas de gas FOTILE se fabrican y envían para usarse con gas natural. Si necesita usar gas licuado de petróleo, por favor, cambie de acuerdo con el contenido relevante de las instrucciones de instalación antes de usar.



**⚠ ADVERTENCIA**

ADVERTENCIA: Antes de limpiar y mantener la estufa, cierre la válvula de aire principal y espere a que se enfríe por completo.

1. Antes de limpiar, retire los soportes de la olla y las tapas de llama.
2. Use frecuentemente agua tibia y detergente neutro para limpiar la estufa.
3. No use limpiadores granulares, cuchillos, bolas de limpieza y otros objetos afilados para limpiar las manchas persistentes residuales en el quemador, el soporte de la olla, las rejillas del wok, la plancha, el panel; de lo contrario, el producto funcionará mal o se desgastará la superficie de la estufa, lo que afectará la vida útil.
4. Use un detergente suave, no corrosivo, neutro para limpiar las partes desmontables del quemador. Seque inmediatamente después de limpiar, de lo contrario es probable que aparezcan manchas blancas. Incluso si aparecen manchas blancas, el quemador puede usarse normalmente.
5. Revise el agujero de fuego en el quemador y límpielo suavemente con una toalla suave o un paño para eliminar todos los depósitos de carbón.
6. Después de limpiar la estufa de gas, séquela lo suficiente antes de instalarla correctamente.
7. No coloque el conjunto del quemador, el soporte de la olla, las rejillas del wok y la plancha en el lavavajillas, de lo contrario, el producto podría dañarse.
8. Por favor, limpie el derrame inmediatamente después del derrame de la olla.

Problema	Causa posible	Solución
Hueles a gas	Fuga de gas	No use la estufa, apague el interruptor de gas, abra las ventanas para ventilación y no toque ningún interruptor de la casa. Salga de la cocina de inmediato y llame a un técnico para que lo reparen
No puede prenderse fuego	El suministro de gas no está correctamente conectado o encendido	Primero cierre la perilla, luego abra la válvula principal
	Se mezcla demasiado aire con la tubería de gas	Encienda el quemador varias veces hasta que el aire se haya apagado por completo
	La tapa de hornilla y la cabeza de hornilla no estén en su lugar	Consulte la guía de instalación rápida para colocar la tapa de hornilla y la cabeza de hornilla en su lugar
	Dispositivo de encendido sucio o mojado	Limpiar con un paño seco
	La válvula de seguridad no está abierta	Presione y gire la perilla hacia el fuego grande, asegúrese de que el quemador esté en llamas y continúe presionando durante 3-4S
	El cabezal del termopar está sucio	Limpiar con un paño seco
	Los quemadores están sucios o la boquilla está bloqueada	Retire el quemador y enjuáguelo con agua limpia y límpielo con un paño seco. Pase una aguja delgada a través del orificio de la boquilla para asegurarse de que el orificio de la boquilla esté desbloqueado
	Hay un problema con el dispositivo de encendido	Solicite al personal de mantenimiento profesional para repararlo
La llama es pequeña	Los quemadores están sucios o la boquilla está bloqueada	Pase una aguja delgada a través del orificio de la boquilla para asegurarse de que el orificio de la boquilla esté desbloqueado
La longitud de la llama es desigual.	Los quemadores están sucios o la boquilla está bloqueada	Retire el quemador y enjuáguelo con agua limpia y límpielo con un paño seco
	La tapa de hornilla y la cabeza de hornilla no estén en su lugar	Consulte la guía de instalación rápida para colocar la tapa de hornilla y la cabeza de hornilla en su lugar
Anomalía de la llama	Después de que la olla se derrame, la sopa se derrame en grandes cantidades y fluye hacia el interior de la cámara de la taza inferior del quemador, causando una salida de aire desigual.	Por favor, limpie el derrame inmediatamente después del derrame de la olla. Limpie el derrame con UN trapo limpio. Retire el lanzamanos y la tapa de fuego para ver si hay líquido en la cavidad de la copa inferior del quemador.



**Grape el recibo aquí. Se requiere el comprobante original de compra para las reparaciones.**

Todos los servicios de garantía son proporcionados por nuestro centro de servicio de fábrica o técnicos autorizados. Si necesita solicitar servicio, llame al Servicio al Cliente de FOTILE America LLC al 1-888-315-0366 o envíe un correo electrónico a [serviceusa@fotile.com](mailto:serviceusa@fotile.com). Conozca el número de serie y el modelo del producto antes de solicitar reparación.

**Garantía de estufa de gas:**

Garantía limitada de 5 años: servicios manuales y garantía gratuita de partes durante el primer año, y garantía de partes de 2 a 5 años.

Si alguna parte de la estufa falla debido a defectos en materiales o la calidad, durante el período de garantía limitada, FOTILE America LLC proporcionará todos los servicios manuales y el reemplazo a domicilio de partes defectuosas de forma gratuita durante el primer año. Durante los próximos 4 años, FOTILE America LLC solo proporcionará garantía de partes. period of 1 year. For the remaining 4 years, FOTILE America will cover parts only.

**Asuntos que no están incluidos por la garantía de FOTILE America LLC:**

1. Servicio a domicilio, instrucciones sobre cómo usar el producto.
2. Instalación, transporte o mantenimiento incorrectos por parte del usuario.
3. El producto funciona mal debido a abuso, mal uso, modificación o uso para otros fines o fines comerciales.
4. La superficie de la estufa está dañada y oxidada debido al uso de detergentes que contienen álcalis fuertes y ácidos fuertes.
5. Reemplace el fusible o el disyuntor en el circuito doméstico.
6. El producto está dañado debido a un accidente especial, incendio, inundación u otra fuerza mayor.
7. Accidente o daño mayor que pueden ser causados por defectos en este producto.
8. El usuario daña el producto después de la entrega.
9. El producto está dañado debido al uso de un voltaje de alimentación no permitido.
10. Cuando el producto esté en un lugar fuera del alcance del personal de mantenimiento, no se puede obtener el servicio a domicilio.
11. Daño superficial del producto propuesto 30 días después de la entrega: como óxido, manchas o defectos en la superficie.

Esta garantía cubre a los compradores originales y los propietarios posteriores del producto comprado en los Estados Unidos. Si el producto está ubicado en un lugar fuera del alcance del personal de mantenimiento autorizado de FOTILE, usted será responsable de pagar el costo de transporte del personal de mantenimiento para la reparación a domicilio o tenga que llevar el producto al sitio de mantenimiento autorizado por FOTILE para su reparación. En Alaska, la garantía no cubre el costo de entrega o servicio a domicilio. Esta garantía le otorga derechos legales específicos y, según las leyes de cada estado, también puede tener otros derechos. Para conocer sus derechos legales, consulte a su asociación de consumidores local o estatal o al asesor legal de su estado.

**Asegurador: FOTILE AMERICA LLC**

**FOTILE America**

[serviceusa@fotile.com](mailto:serviceusa@fotile.com), 1-888-315-0366

**Sitio web de FOTILE**

Tiene alguna pregunta o necesita ayuda con los electrodomésticos? ¡El sitio web oficial de FOTILE le brinda servicio las 24 horas del día durante todo el año! También puede comprar otros productos de FOTILE. [www.fotileglobal.com](http://www.fotileglobal.com)

**Registración del producto**

Después de comprar el producto, puede registrar su producto en línea en cualquier momento! Registre el producto a tiempo, para que podamos comunicarnos con usted y brindarle servicios a tiempo cuando lo necesite. También puede registrarse enviando por correo la tarjeta de registro impresa en el paquete.

<https://shop.fotileglobal.com/register-today-for-product-support/>

**Cita de servicio**

El servicio de mantenimiento profesional de FOTILE está a solo un paso de usted. Solo llame al: 1-888-315-0366 o

Envíe un correo electrónico a [serviceusa@fotile.com](mailto:serviceusa@fotile.com) para hacer una cita.

**Partes y accesorios**

Para comprar accesorios opcionales para el producto, visite <https://shop.fotileglobal.com/product-category/accessories/> o comuníquese con el distribuidor autorizado de FOTILE. Si necesita comprar o reemplazar las partes internas del producto, por favor lláme a FOTILE America LLC al 1-888-315-0366.

**Llámanos**

Si tiene alguna pregunta durante la instalación y el uso, no dude en llamar a FOTILE America LLC al 1-888-315-0366 o enviar un correo electrónico a [serviceusa@fotile.com](mailto:serviceusa@fotile.com).



Sitio web oficial



Piezas de recambio



Accesorios



# FOTILE 方太

## 用户手册

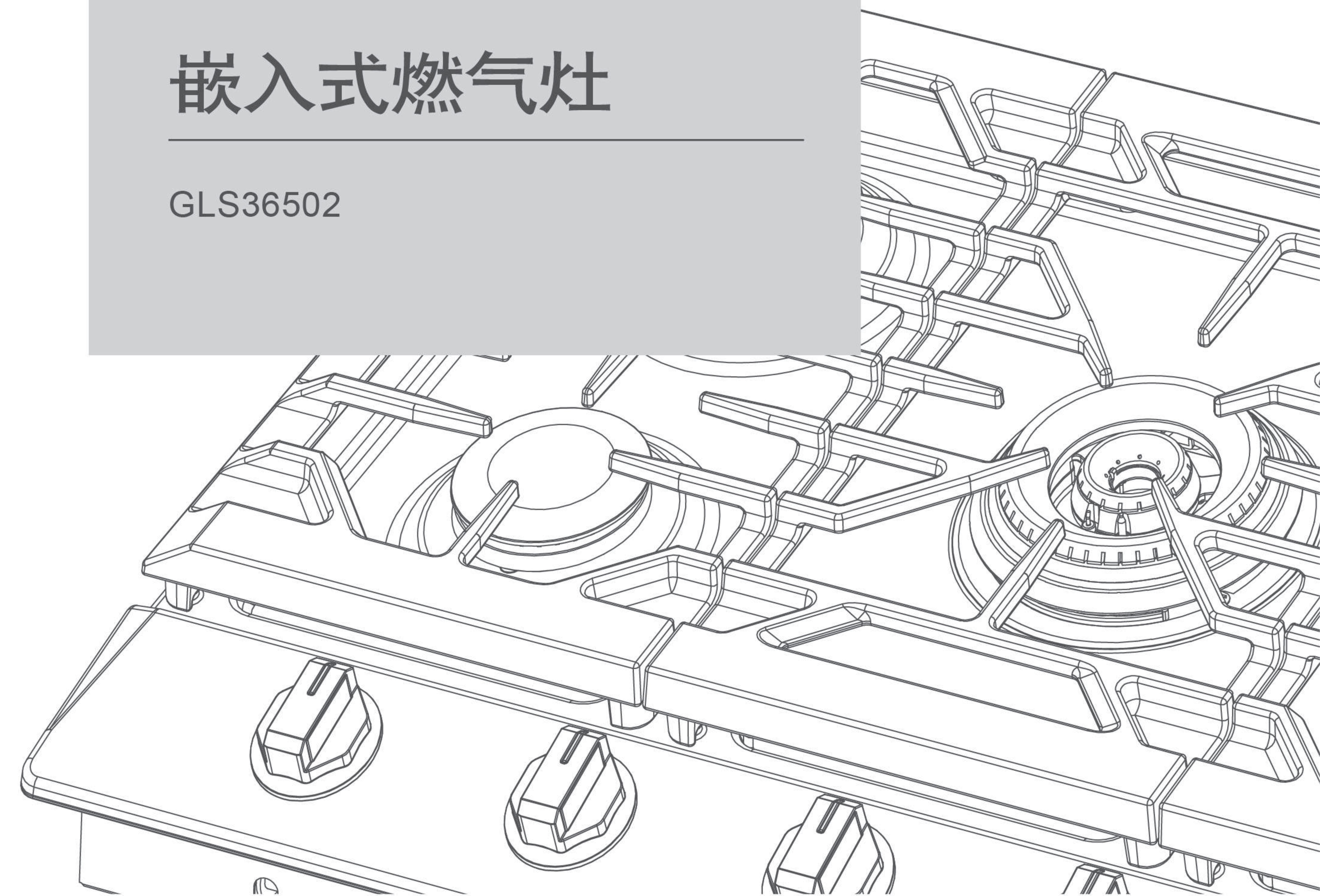
---

在使用此产品前，请阅读所有说明。

## 嵌入式燃气灶

---

GLS36502



Se ha hecho todo lo posible para garantizar que la información proporcionada en este manual sea correcta en el momento de la impresión, sin embargo, debido a la mejora continua del producto, FOTILE se reserva el derecho de realizar cambios en los productos y datos técnicos sin previo aviso.

Ningbo Fotile Utensilios de cocina Co., Ltd.  
No. 218, Binhai 2nd Road, nuevo distrito de la bahía de Hangzhou,  
ciudad de Cixi, provincia de Zhejiang (China)  
Sitio web: WWW.FOTILEGLOBAL.COM



# 目 录

重要安全信息	2
概览	8
外观和结构	8
装箱清单	9
燃气灶使用说明	10
炉头安装指南	10
锅支架安装	13
急速点火	14
熄火保护装置	14
锅具尺寸选择	14
旋钮控制	15
烤盘	16
辅助锅支架	16
清洁和保养	17
故障排除	18
保修政策	19

使用本设备前，请仔细阅读所有说明。保存本手册。请勿遗失。

## 您的安全至关重要

我们在本手册和您的产品上提供了许多重要的安全信息。请务必阅读并遵守所有安全信息。



这是安全警告标志。

此标志提醒您有造成人员伤亡的潜在危险。

所有的安全信息将列于安全警示标志之后，包括“危险”和“警告”字样。这些字样代表含义如下：



**危险**

请严格遵守使用说明，否则可能马上面临生命危险或严重伤害。



**警告**

请严格遵守使用说明，否则可能面临生命危险或严重伤害。

安全信息将会提及存在的潜在风险，告知降低受伤可能性的方法，同样也会告知不遵守说明可能造成的后果。



**警告**

请严格遵守本手册中的信息，否则可能引发火灾或爆炸带来财产损失、人身伤害或生命危险。

请勿将汽油或其他可燃性气体和液体在本设备或其他设备附近储存或使用。

— 如果闻到煤气味道：

- 请勿点燃任何设备。
  - 请勿触摸任何电气开关。
  - 请勿在您所在的建筑物中使用电话。
  - 立即使用邻居的电话呼叫您的燃气供应商。听从燃气供应商的指导。
  - 如未能联系燃气供应商，请致电消防部门。
- 安装和维修必须由合格的安装人员、维修机构或燃气供应商执行。



**警告**

单纯通过气味无法准确检测燃气泄漏。  
 燃气供应商建议您使用UL或CSA批准的燃气检测器。  
 请联系您的燃气供应商了解更多信息。

**警告**

使用本设备进行烹饪时，切勿将其置于无人看守的情况。

- 请严格遵守此警告声明，否则可能带来火灾、爆炸或燃烧危险，从而导致财产损失、人身伤害或生命危险。
- 如不慎发生火灾，请远离本设备，并立即致电消防部门。请勿试图用水扑灭油火。

**重要事项**

请勿安装将空气向下吹向燃气灶的通风系统。此类通风系统可能导致燃气灶的点火和燃烧问题，从而导致人身伤害或意外事故。

**加利福尼亚州65号提案警告**

**警告**

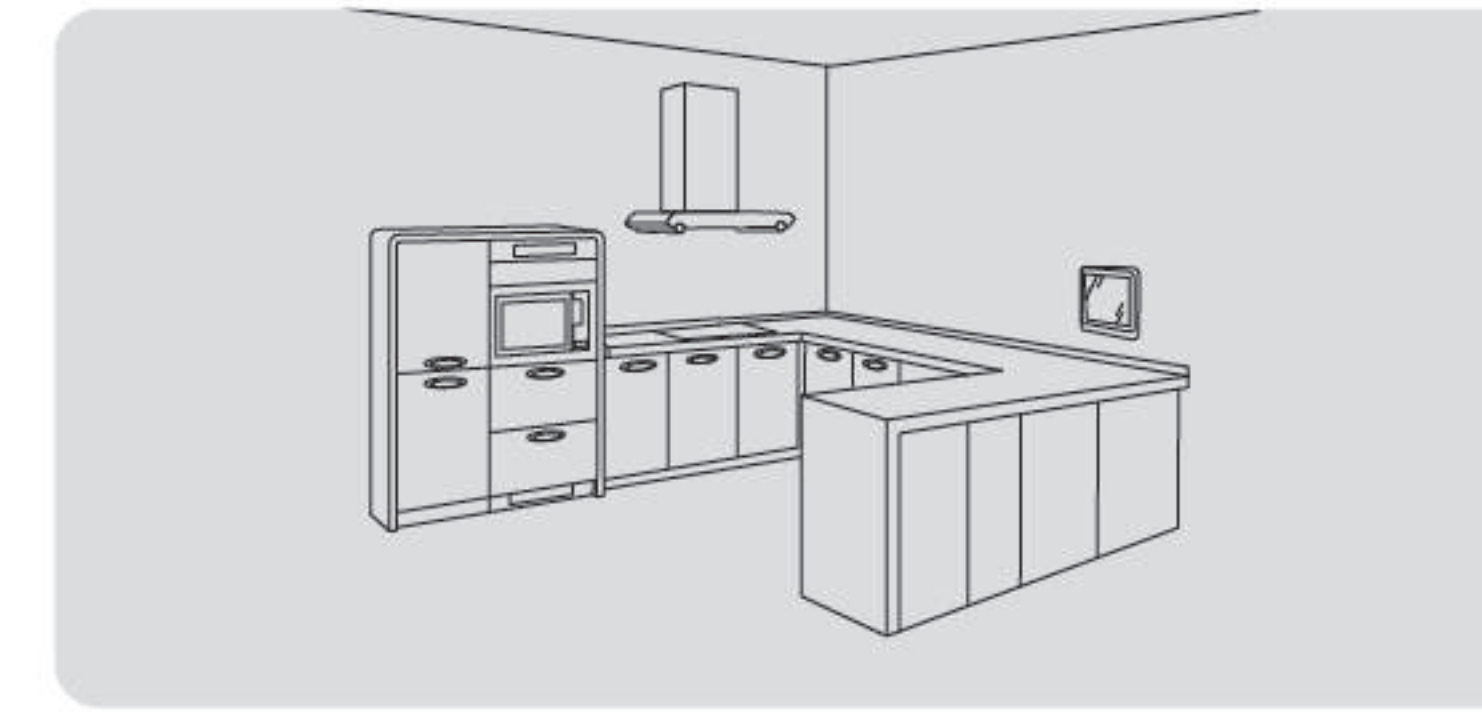
本产品含有一种或多种加利福尼亚州已知会导致癌症、出生缺陷或其他生殖伤害的化学物质。燃气灶可能导致低水平暴露于其中一些物质，包括苯、一氧化碳、甲醛和烟灰，此类物质主要由天然气或丙烷燃料的不完全燃烧产生。  
 打开窗户或使用通风风扇或通风罩，可最大限度地减少接触此类物质。

**马萨诸塞州**

马萨诸塞州适用的安装说明如下：

- 安装和维修必须由马萨诸塞州合格或许可的承包商、管道工或燃气装配工进行。
- 如果使用球阀，则应为T字手柄型。
- 请勿使用超过3英尺的柔性燃气连接器。

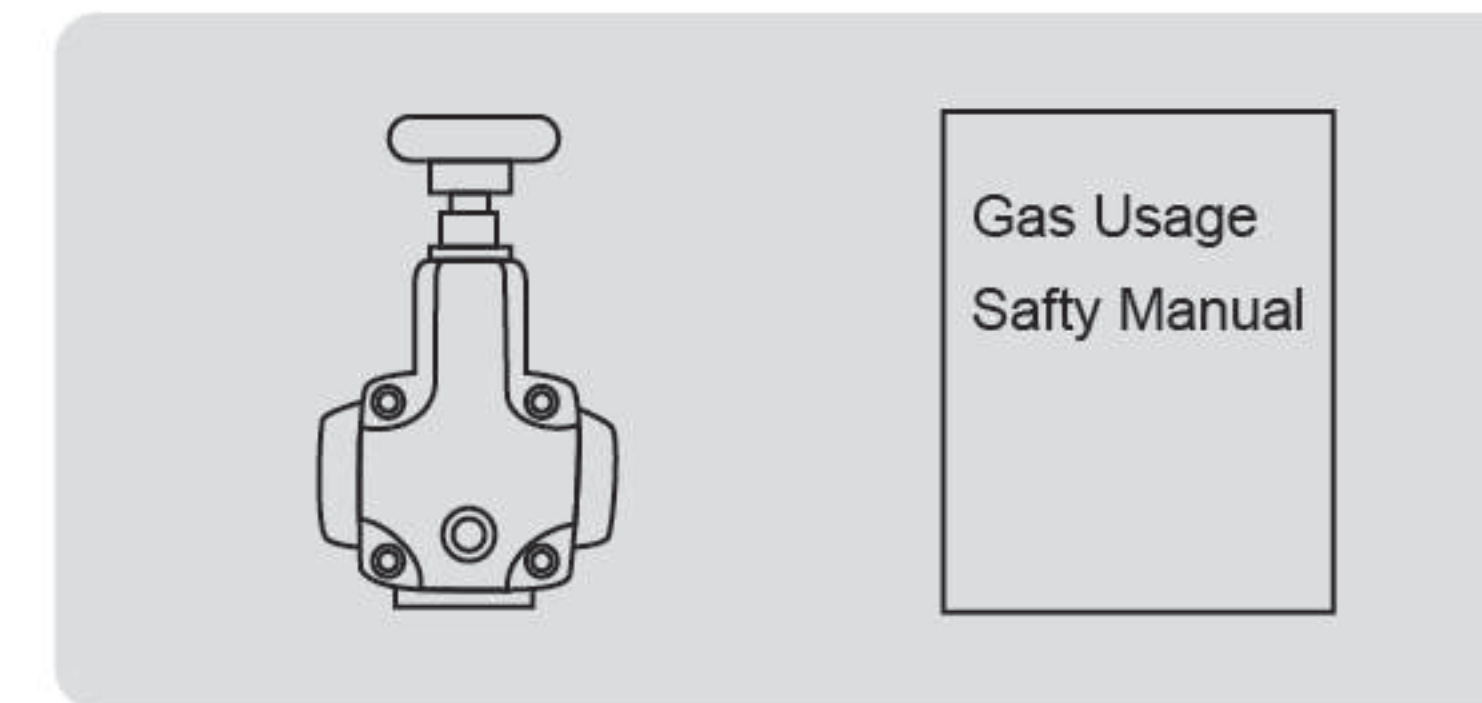
**常规安全**



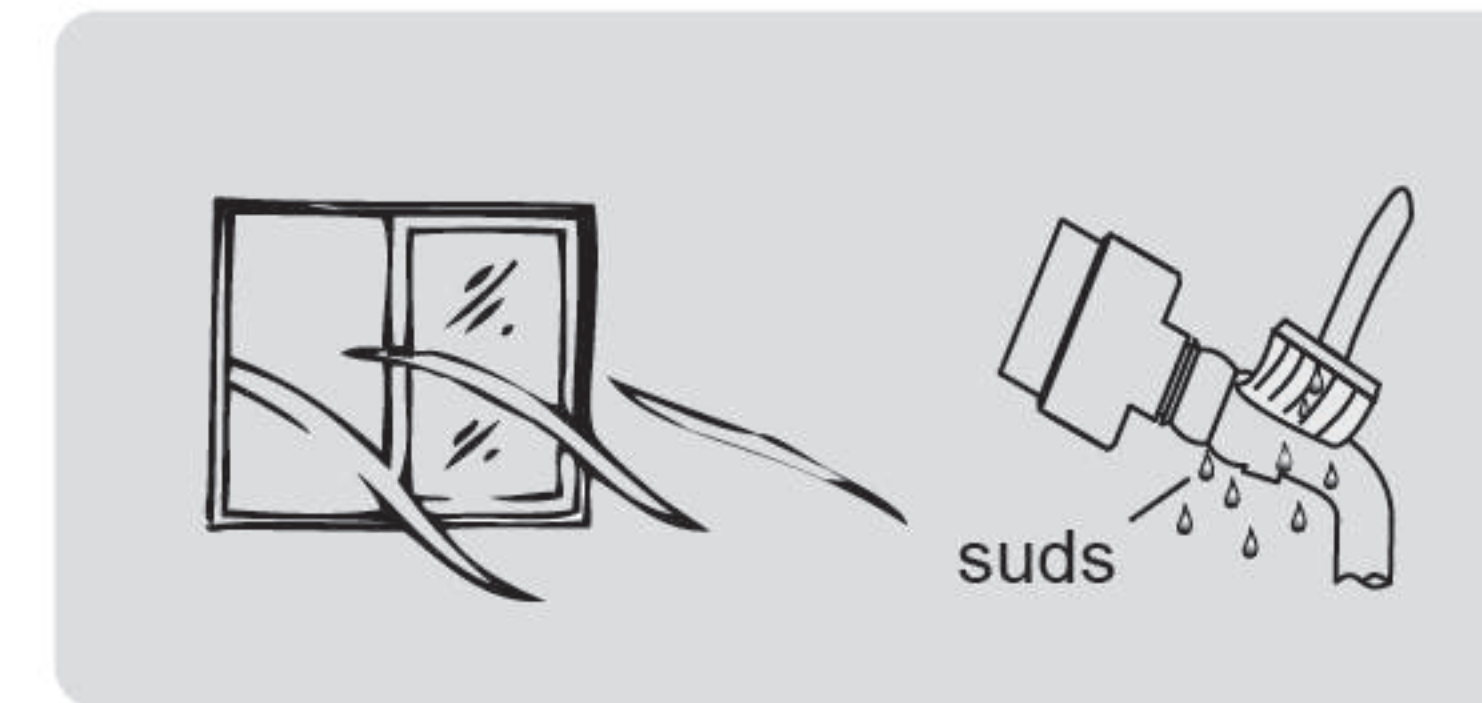
本燃气灶仅可在家用厨房使用。请勿在商用厨房、浴室、卧室、地下室或有腐蚀性或爆炸性物质之处安装此燃气灶。



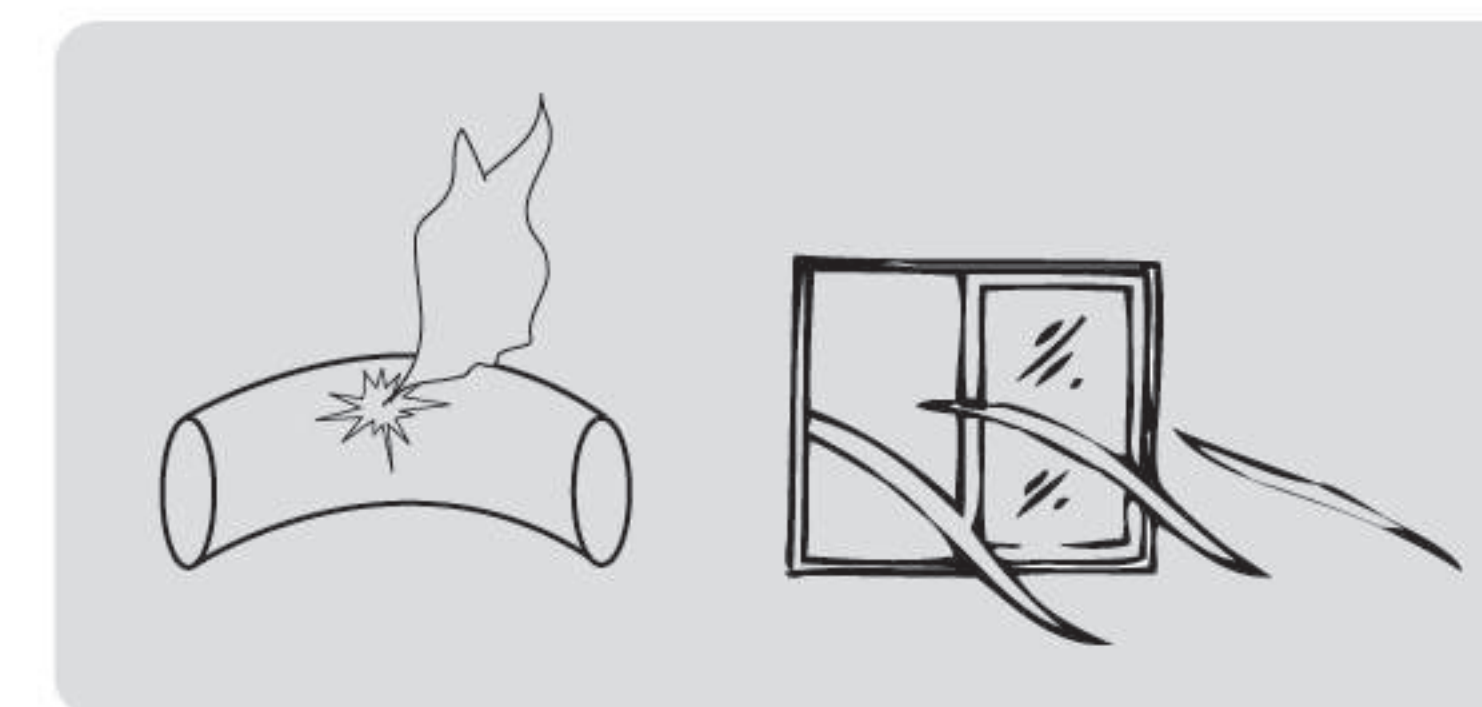
仅可由方太推荐的许可技术人员或合格的专业安装人员和燃气供应商来安装、拆卸、维修燃气灶。



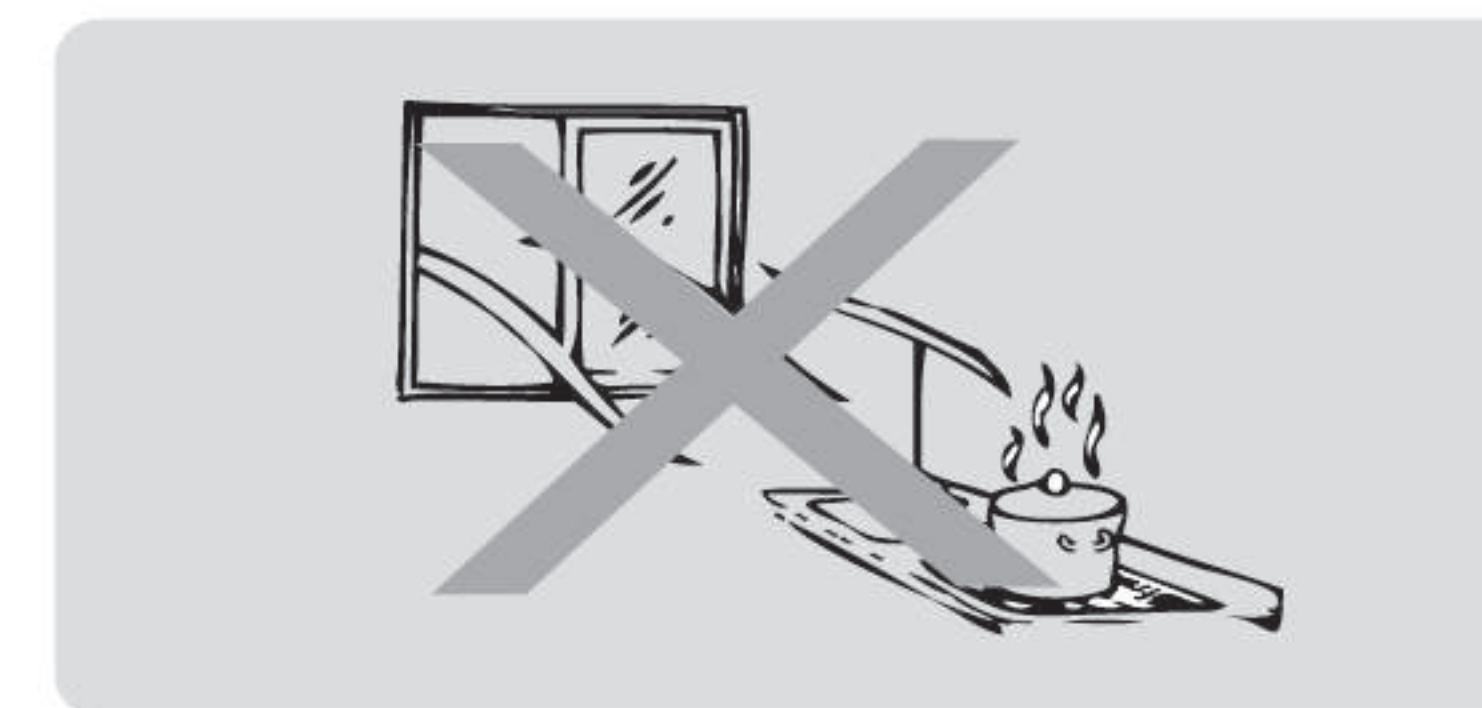
一些燃气供应商可提供“燃气使用安全手册”，务必向燃气经营机构索取“燃气使用安全手册”，并遵守该手册。



为防止在安装或使用过程中窒息，请检查是否闻到任何燃气味。如果闻到燃气味，在尝试再次点燃燃气灶前，需对现场进行通风。



如果存在燃气泄漏并且可以闻到燃气味，确保燃气灶关闭并打开窗户通风。然后迅速撤离现场，致电方太服务中心进行维修。请勿尝试打开燃气灶、打开厨房的灯，或使用有线固定电话。撤离现场，致电方太服务或公共燃气服务。



在刮风的天气，请勿在开着的窗户附近操作燃气灶。因为风可能吹灭火焰，导致燃气泄漏或运行故障。



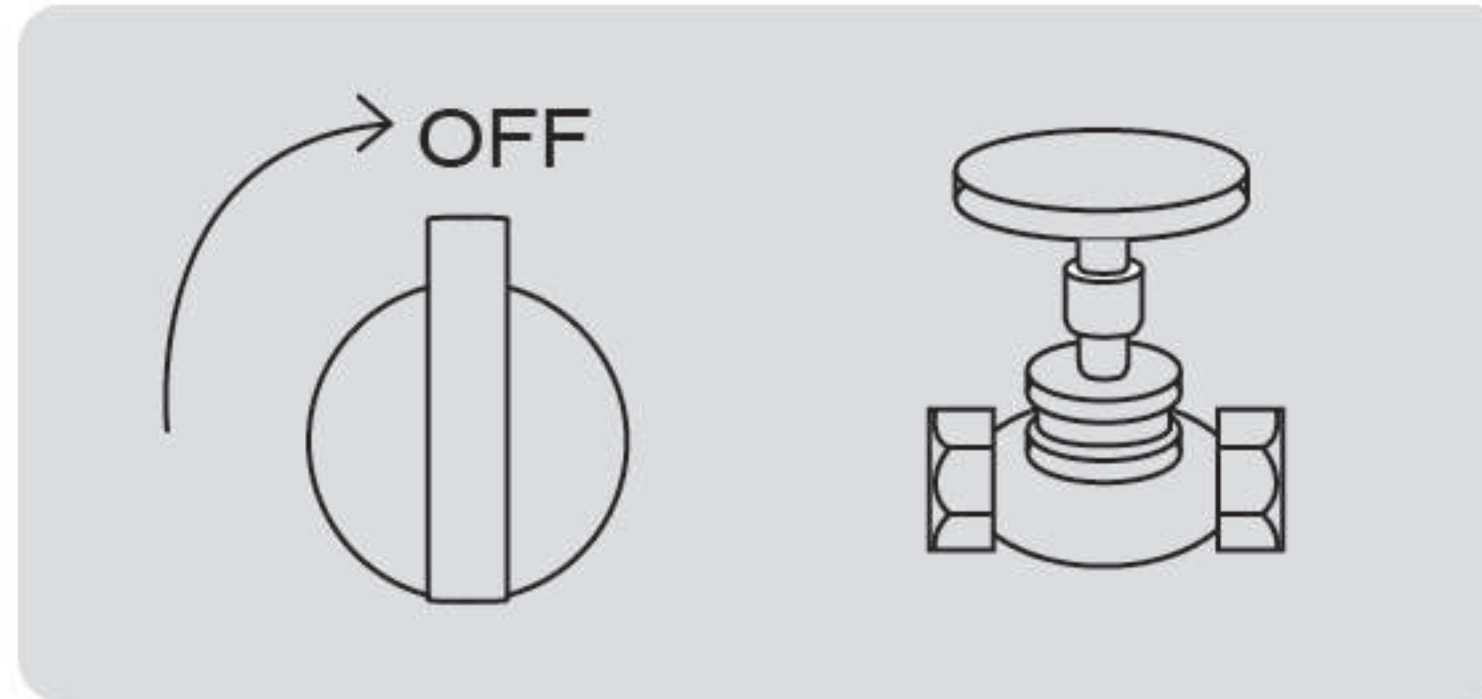
如果因油温过高而发生燃烧，请用锅盖（请勿用水）等大型金属物品覆盖火源，关闭总气阀。



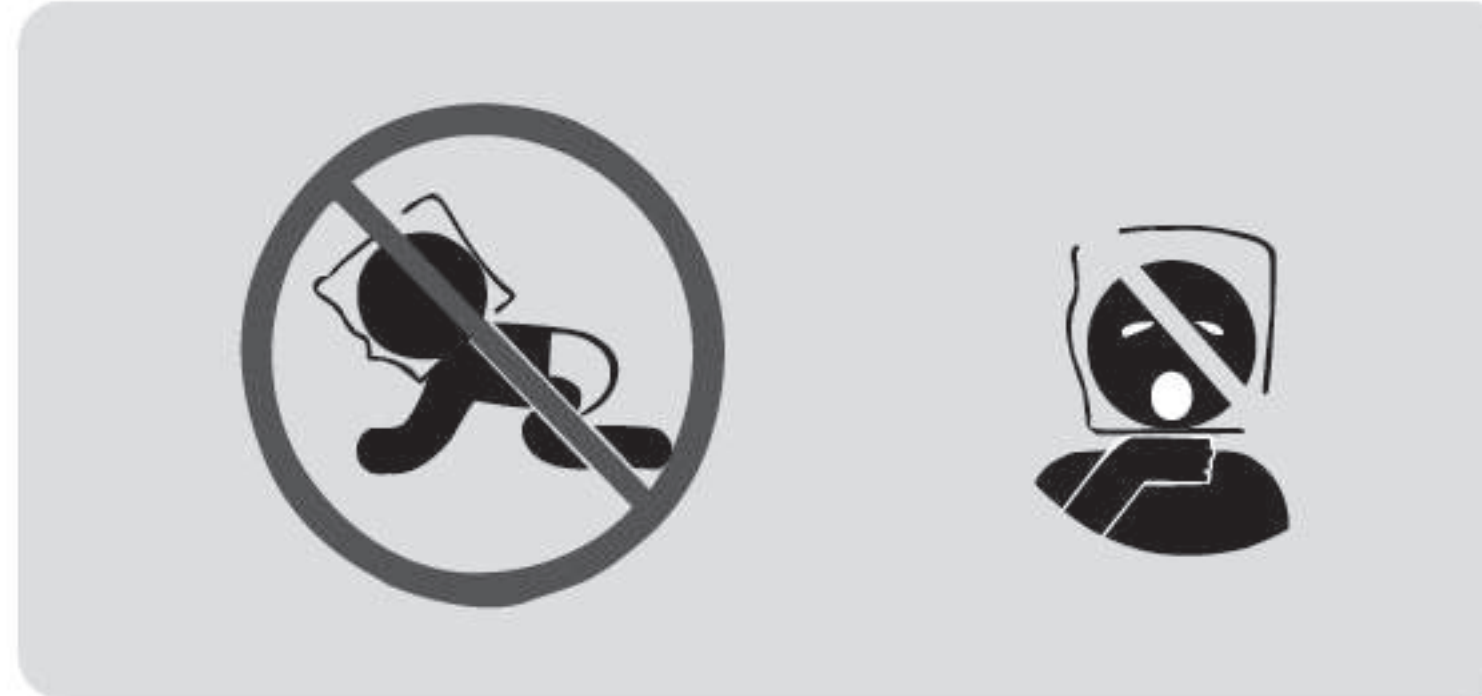
每隔1年半定期更换燃气灶的耐油燃气橡胶软管，以确保燃气灶的安全运行。



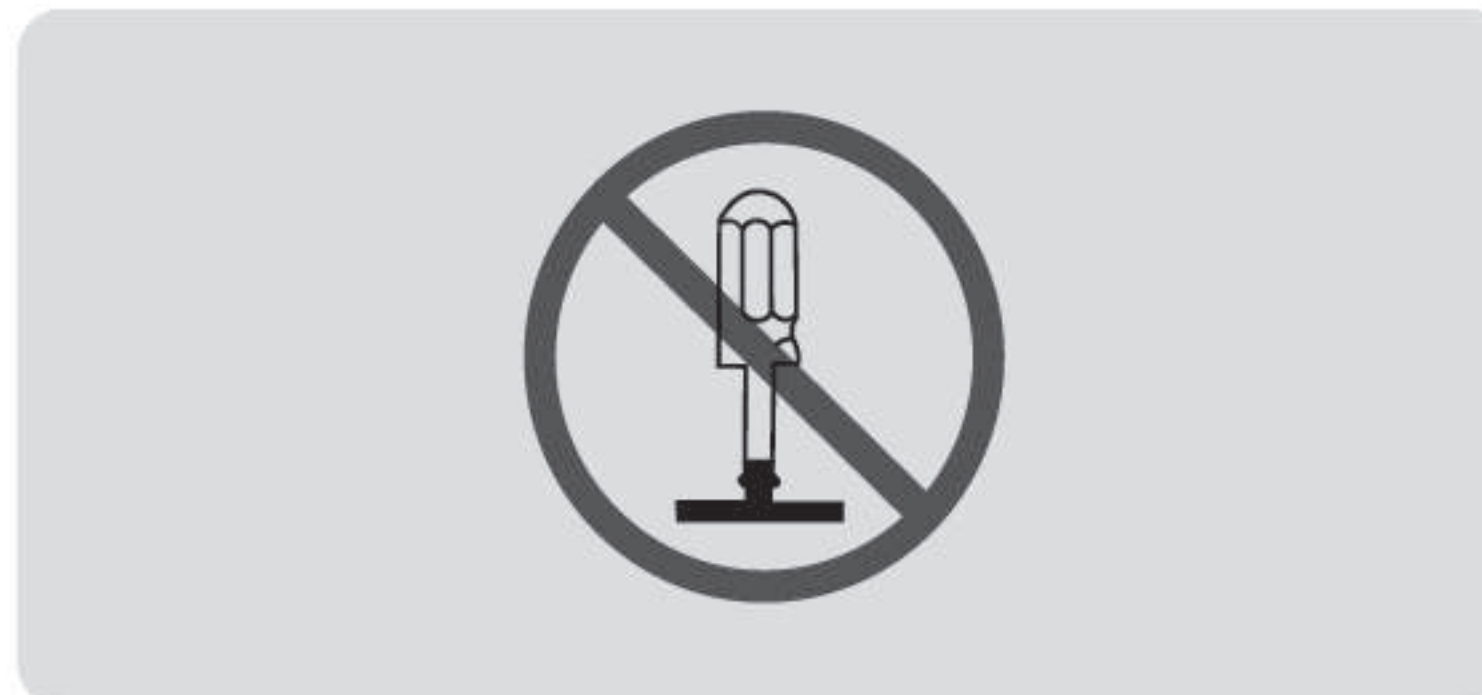
## 重要安全信息



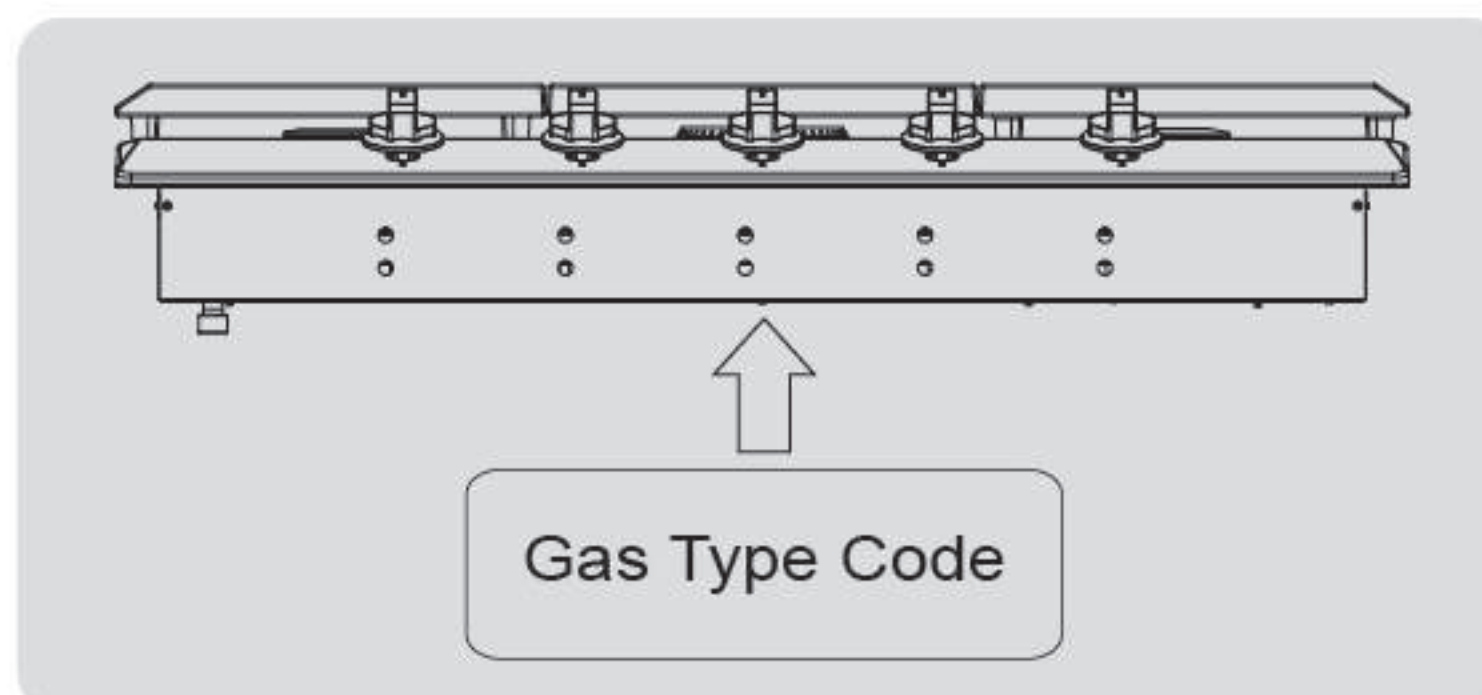
切勿在犯困时操作燃气灶，或在操作燃气灶时离开现场。切勿将正在运行的燃气灶置于无人看管的情况。睡前或出门前，务必关闭燃气灶。



请勿让儿童接触任何塑料包装，以免窒息。



请勿自行改装此设备。



方太燃气灶仅可使用天然气或液化石油气。此燃气灶不能使用其他燃气类型。



此燃气灶仅可用于烹饪食物。请勿试图将其用于其他目的，如烘干衣物或作为加热器。



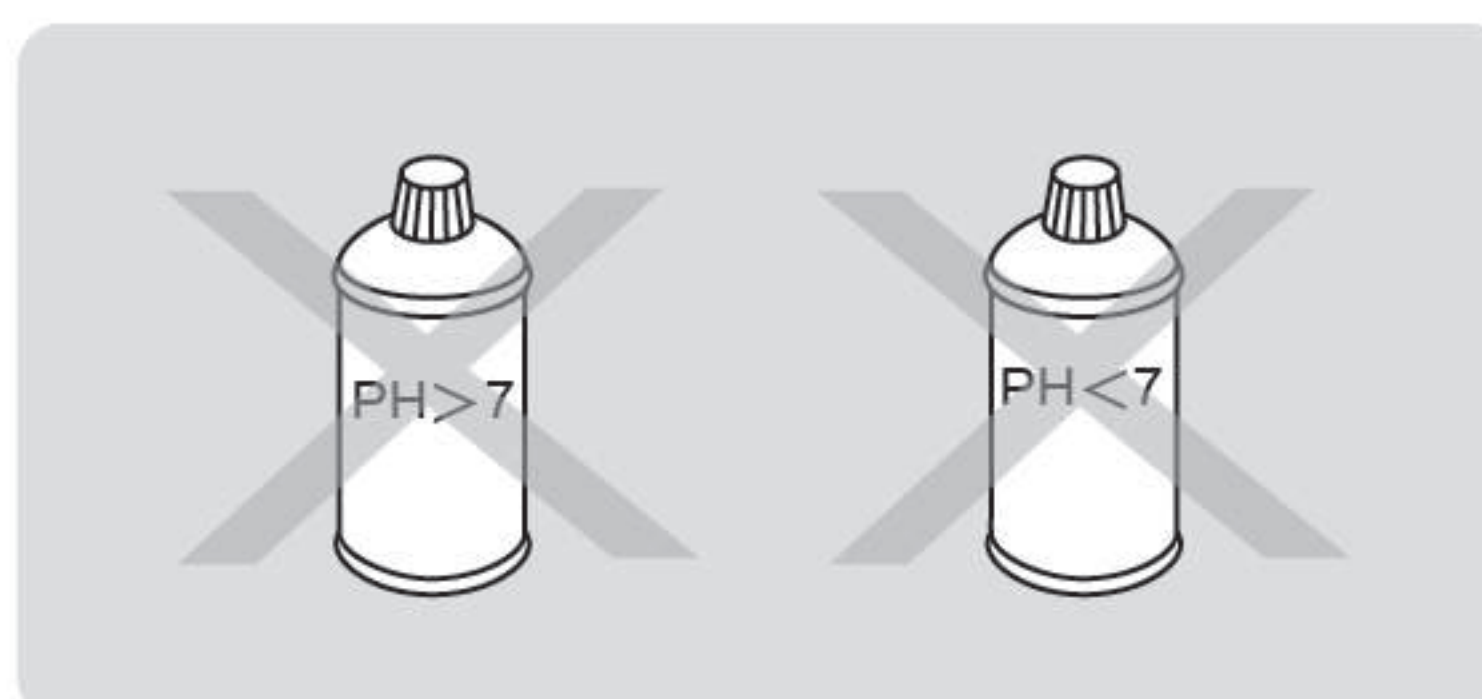
当燃气灶上没有锅或锅里没有食物时，请勿试图使用燃气灶。因为这会损坏燃气灶和烹饪锅。



为避免烫伤，请勿在使用燃气灶后立即触摸锅支架或炉头。



请勿将任何易燃材料置于燃气灶附近。



请勿在燃气灶上放置任何酸性或碱性物质（醋、柠檬汁等）。

## 重要安全信息



将锅具置于燃烧器中央，请勿悬在灶具上。



请勿将炒锅直接置于燃烧器上。使用烹饪炉排上附带的炒锅烹饪。



请勿在燃气灶上使用大锅或重物，因为这会使燃气灶弯曲，造成损坏和潜在伤害。



将锅置于烹饪炉排中央。不平整的锅会损坏燃气灶，并可能造成伤害。



请使用方太提供或推荐的炒锅支架。



请勿在燃气灶附近喷洒任何气溶胶罐、清洁材料或危险材料，否则可能会引发火灾或爆炸。



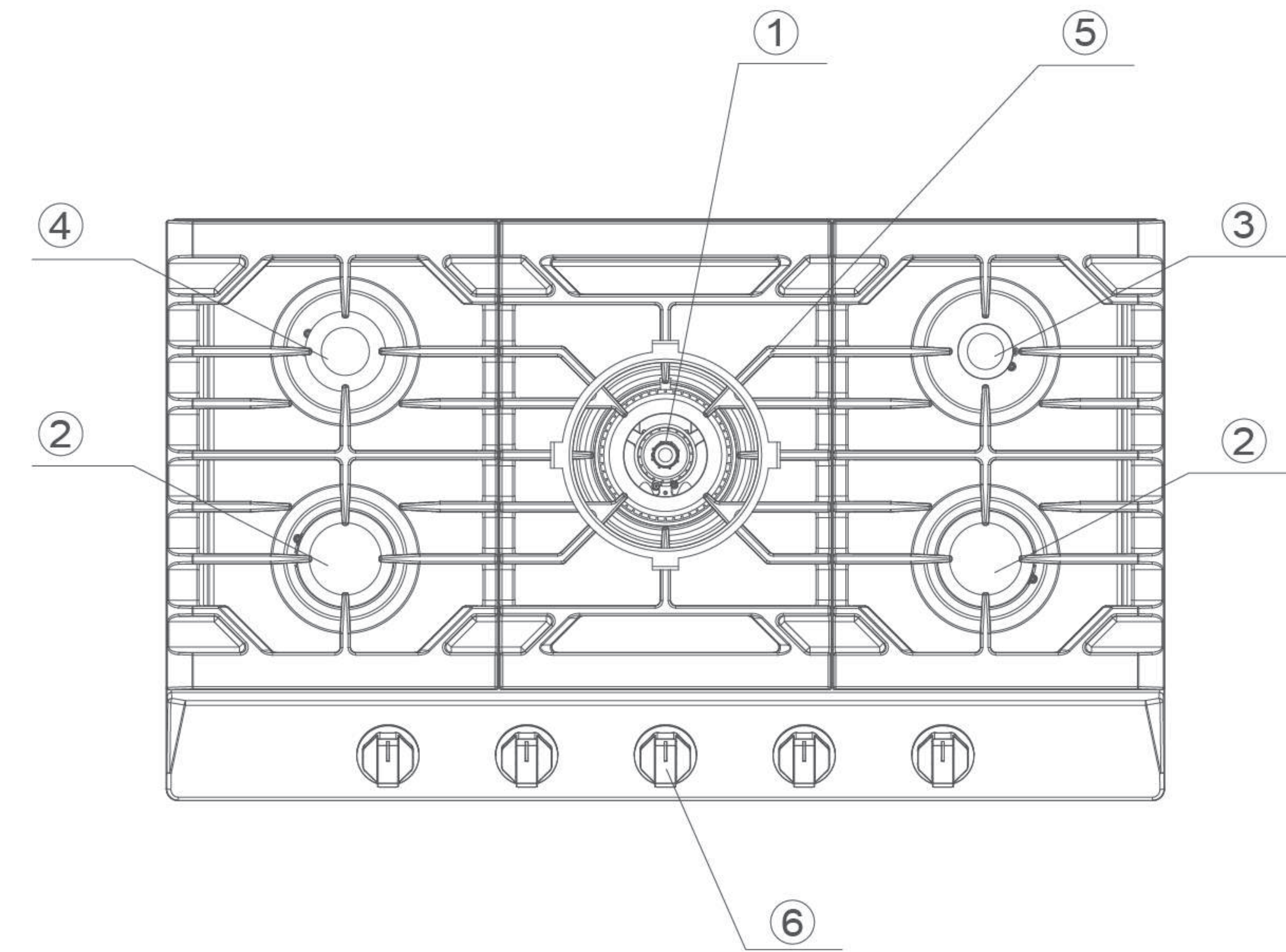
请注意锅具摆放时不能超过锅支架的尺寸。如果锅具尺寸过大可能导致火焰距离旋钮过近，从而造成烫伤。



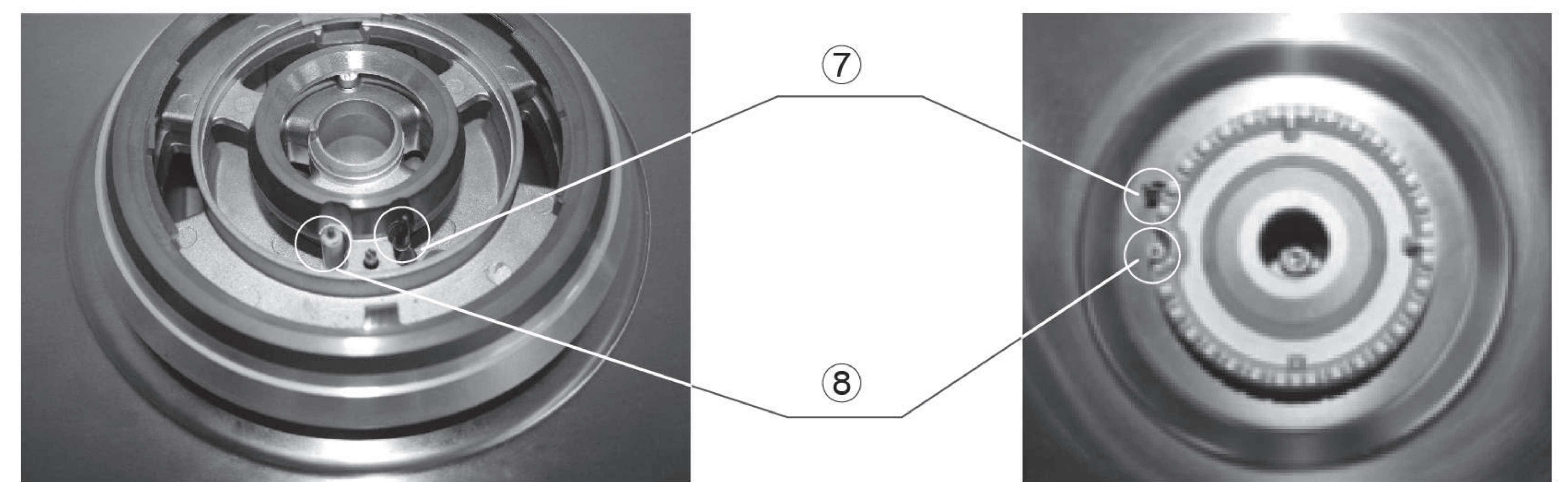
常规安全

-  本设备不可连接任何类型的燃烧排气系统。必须按照当地和制造商的安装指南进行安装。应特别注意满足适当通风的要求。
-  安装前，请确保燃气供给类型适合此灶具。
-  切勿将本设备用作加热产品。因为这可能会导致一氧化碳中毒并使燃气灶过热损坏。
-  请将所有包装材料丢弃于适当指定垃圾箱中，或置于儿童接触不到的安全位置。
-  切勿堵塞通风口和散热口。
-  请勿从燃气灶上取下含有技术数据、序列号和其他重要产品信息的产品铭牌。因为对于维修技术人员来说，这是关于燃气灶的重要信息。
-  (热表面危险) 在使用过程中或使用后，切勿触摸燃气灶或其任何部件，因为其可能会变得非常热。
-  (火灾危险) 切勿让燃气灶使用时无人看管。燃烧食物可能引起火灾并导致人身伤害。
-  使用时，请勿在燃气灶附近喷洒任何气溶胶。因为这可能导致火灾和人身伤害。
-  (爆炸危险) 请勿在易燃材料附近使用燃气灶。请勿在燃气灶附近存放任何易燃材料。因为这可能导致人身伤害。
-  本设备仅供成人使用。需与儿童保持安全距离。
-  每次使用后，务必检查控制旋钮是否关闭。
-  因未能遵守上述规定或用非原装零件篡改或修改燃气灶而造成的伤害或损坏，制造商不承担责任。

外观和结构



- ① 主炉头：22000BTU，多功能三环燃烧器
- ② 右前/左前：13000BTU，快速燃烧器
- ③ 右后：3000BTU，辅助燃烧器
- ④ 左后：6000BTU，中速燃烧器
- ⑤ 一体式锅支架
- ⑥ 八角形桥式旋钮



主燃烧器

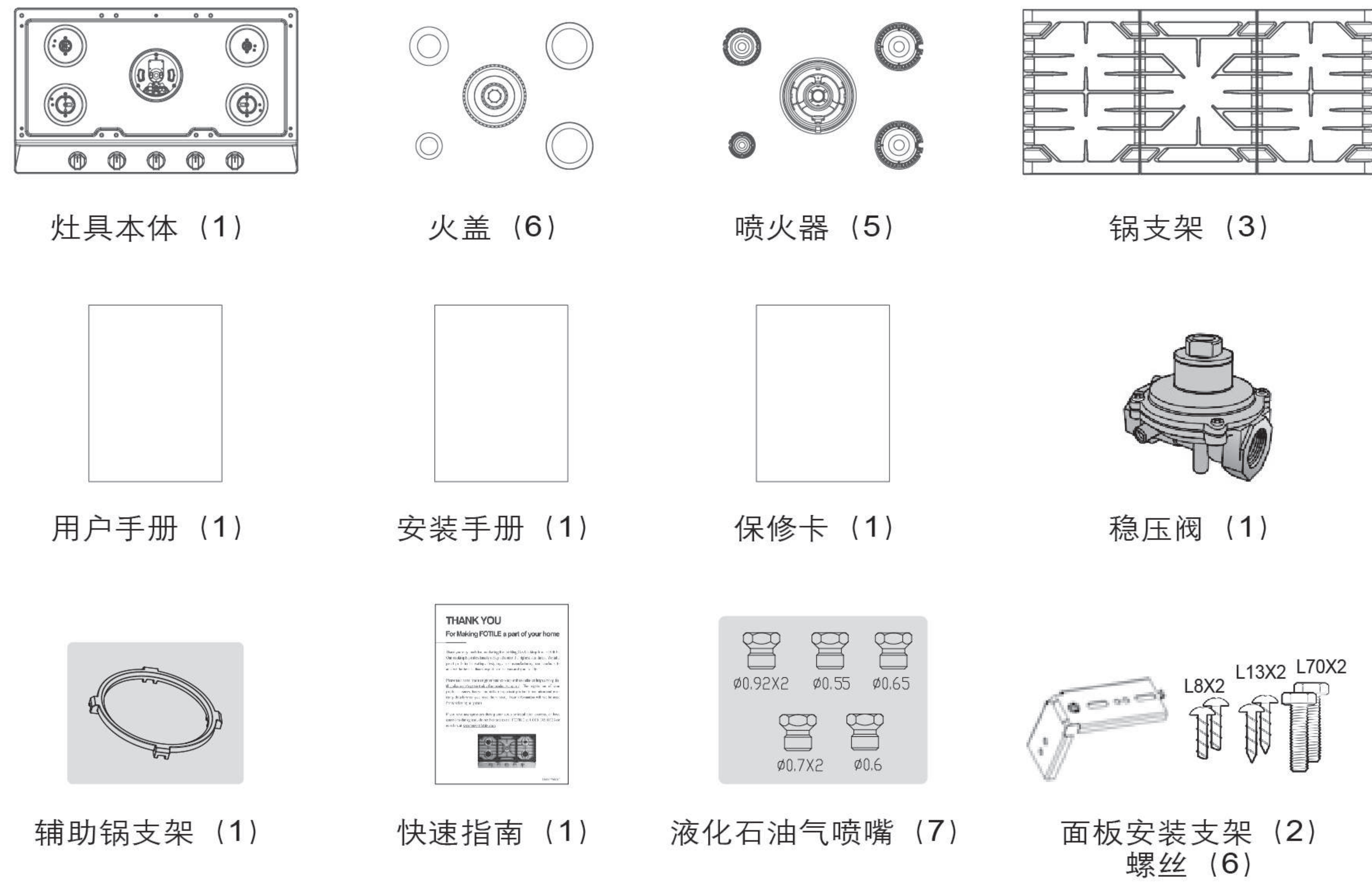
其他燃烧器

⑦ 热电偶

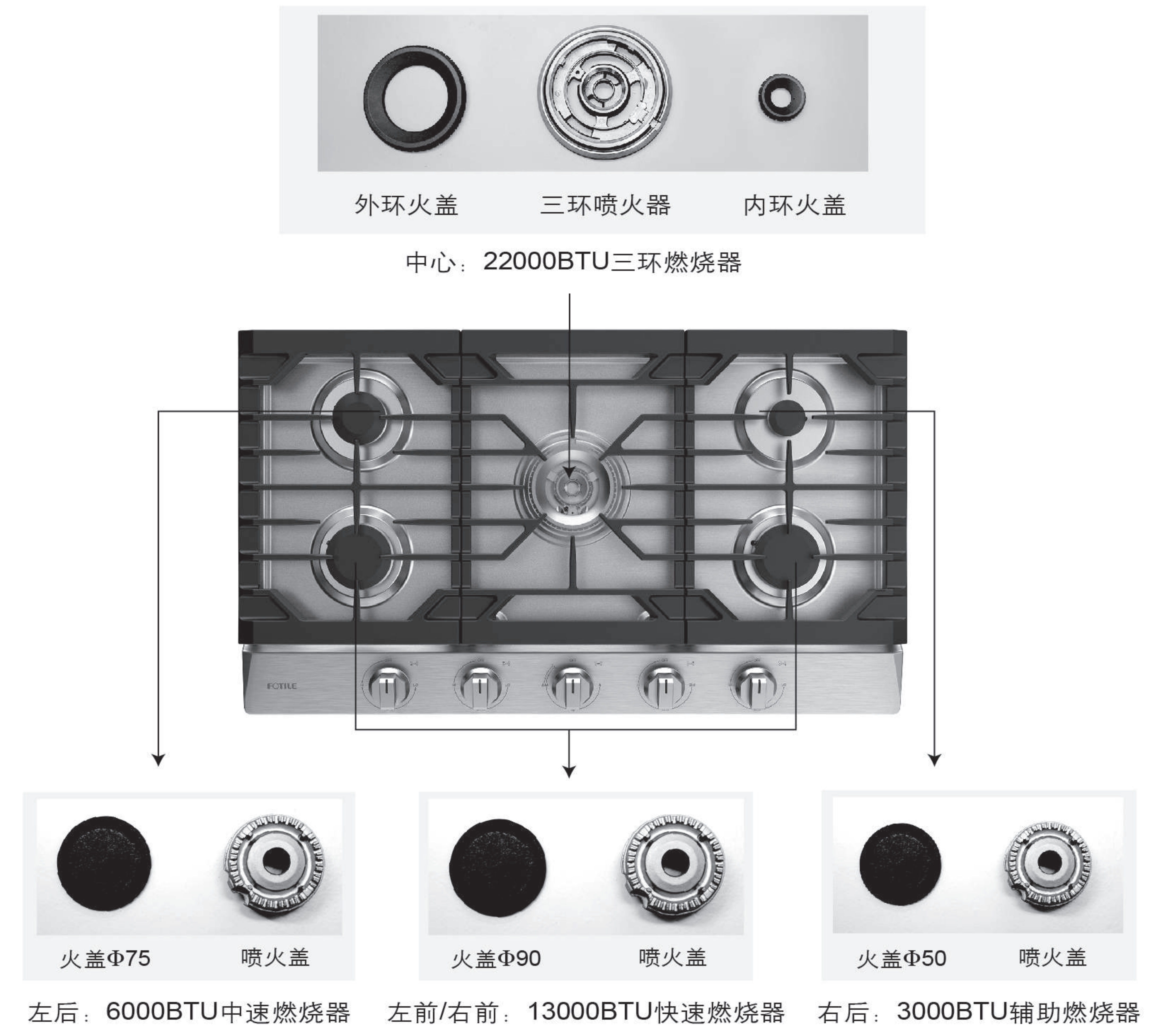
⑧ 点火装置



■ 装箱清单



■ 炉头安装指南



三环主燃烧器组件安装:

1. 拿出三环喷火器, 银色面朝下, 找到小孔“A”。





2. 将小孔“A”跟底杯上的定位针“B”对齐，把三环喷火器放置在面板上，左右滑动，确保三环喷火器不会晃动。



3. 把外环火盖放置在三环喷火器上，放置后可轻轻转动，确保外环火盖放置到位。外环火盖可任意转动。



4. 把内环火盖放置在三环喷火器上，确保缺口对齐。内环火盖放置后不可转动。



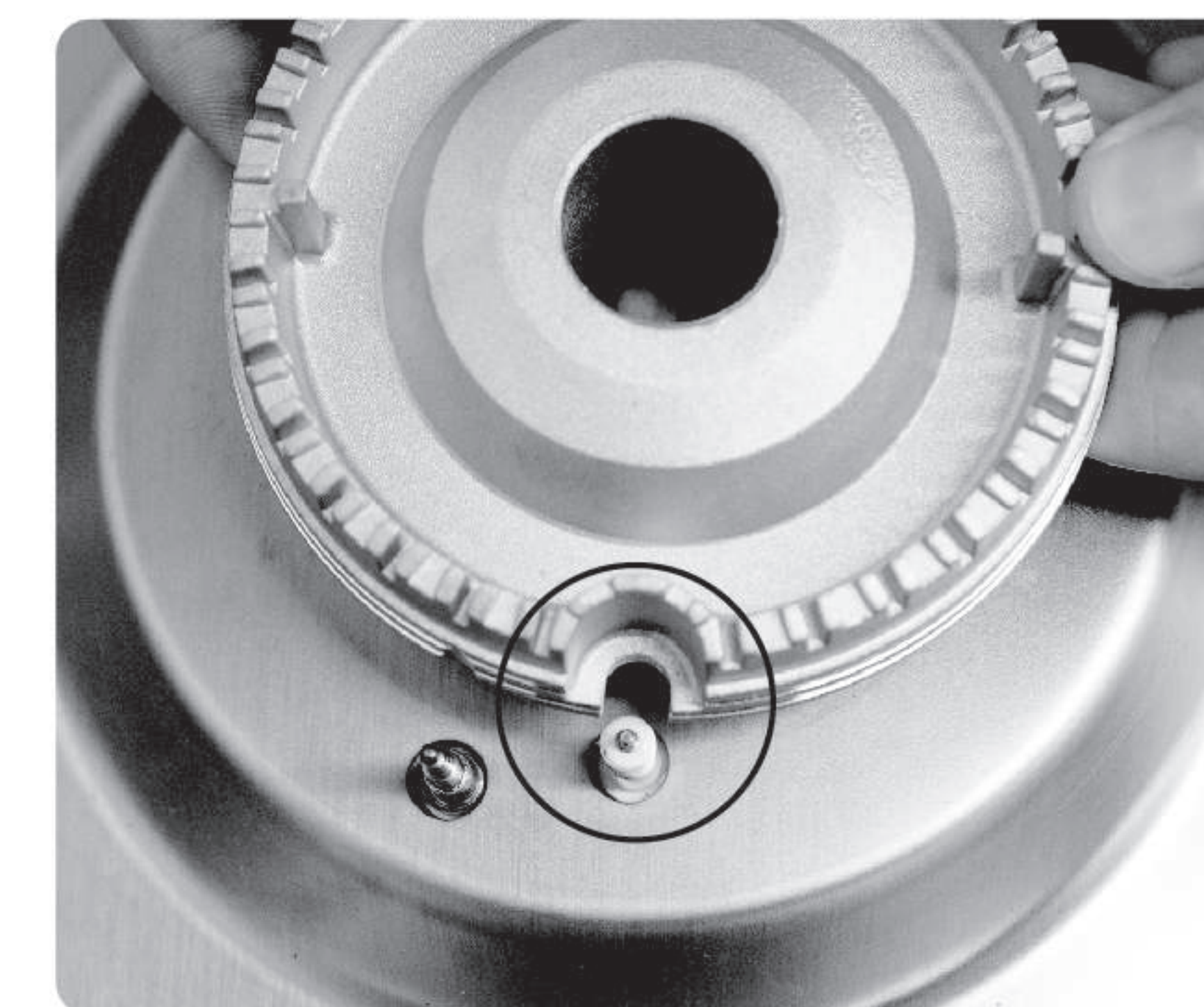
5. 检查三环燃烧器/火盖是否放置到位，如果喷火器/火盖放置不平或不稳，必须将其取下并重新放置。

**其他炉头安装指南：**

1. 通过大小辨别快速/中速/辅助喷火器和火盖。
2. 拿出喷火器，找到缺口“C”，使它与点火针“D”处于同一边。



3. 把喷火器中的缺口和点火针对齐，把喷火器放置在面板上，左右滑动，确保喷火器不会晃动。



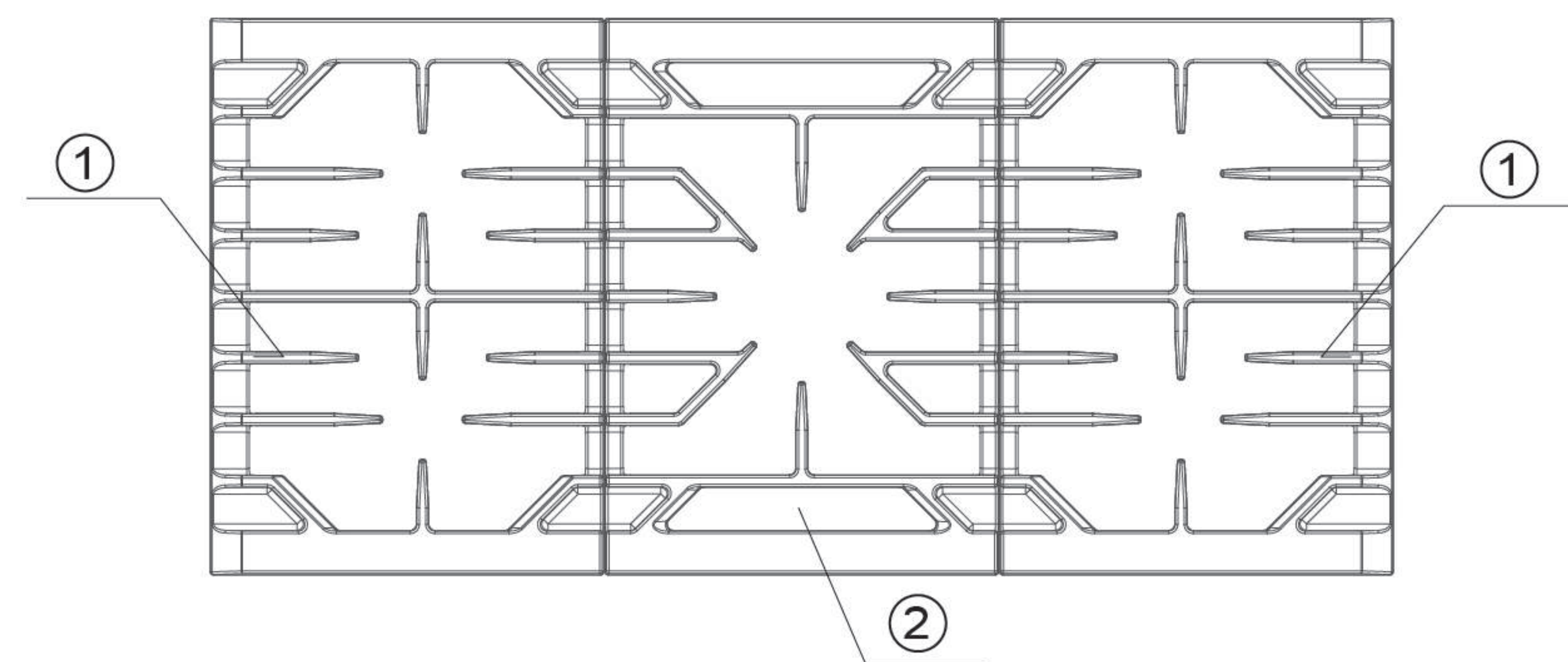
4. 把火盖放置在喷火器上，放置后轻轻转动，确保火盖放置到位。



5. 检查燃烧器/火盖是否放置到位，如果喷火器/火盖放置不平或不稳，必须将其取下并重新放置。



## ■ 锅支架安装

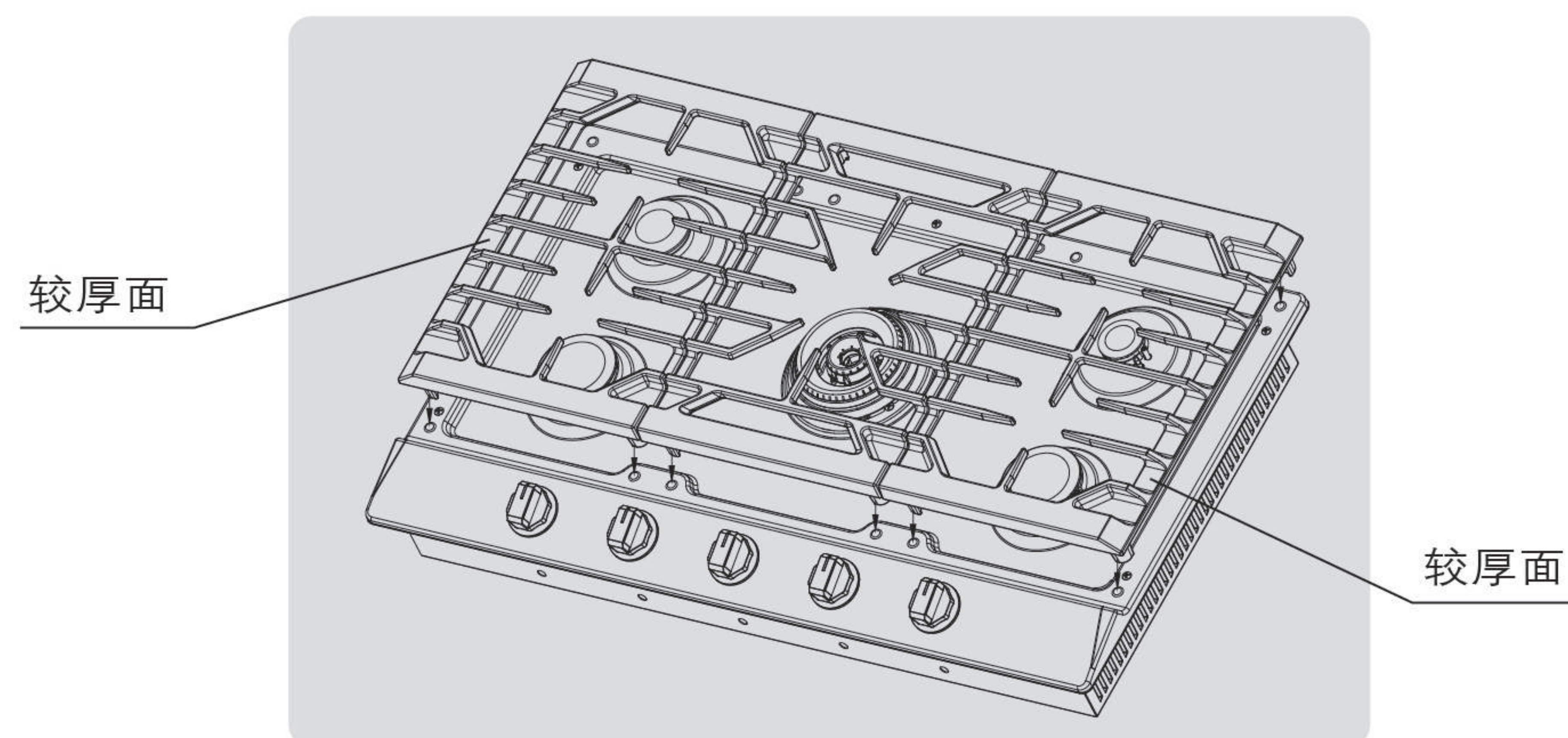


① 左/右锅支架(相同, 可左右调换)      ② 中心锅支架

锅支架分为左/中/右三个, 为了获得更好的稳定性, 请确保3个锅支架放置在正确的位置。

### 请按照以下步骤安装锅支架:

1. 取出三个锅支架, 找出中心锅支架。(左右锅支架相同, 可调换)
2. 轻轻放下中心锅支架, 使中心锅支架的支撑腿放置在面板上的凸台中。
3. 取出另外两个锅支架中的一个, 将较厚的一侧与灶具的外侧对齐。
4. 轻轻放下, 使锅支架的支撑腿放置在面板上的凸台中。
5. 对另外一个锅支架做相同的操作。
6. 如果安装正确, 三个锅支架不会相互影响。



## ■ 极速点火

使用旋钮来控制燃烧器。本灶具配有电子点火装置, 仅需将旋钮按压到底并逆时针旋转90°, 直到燃烧器点着火后松手。如果在前15秒内没有点着火, 则将旋钮旋转至OFF并等待至少60秒, 然后再次尝试点火。

本灶具点火装置为极速点火装置, 当旋钮松开后, 阀体上的电磁阀不会立即断电, 仍会保持1-3秒的微动持续电流, 给点火针提供能量, 因此, 点火器仍会继续保持点火状态1-3秒, 更好地提高点火成功率。

## ■ 熄火保护装置

如果火焰意外熄灭, 大约60秒后安全装置就会自动切断燃气通道, 即使燃气旋钮仍处于打开状态, 也会自动切断燃气供应。如果发生此情况, 将燃烧器旋钮转到OFF位置, 并等待至少60秒, 然后再尝试重新点燃燃烧器。

## ■ 锅具尺寸选择

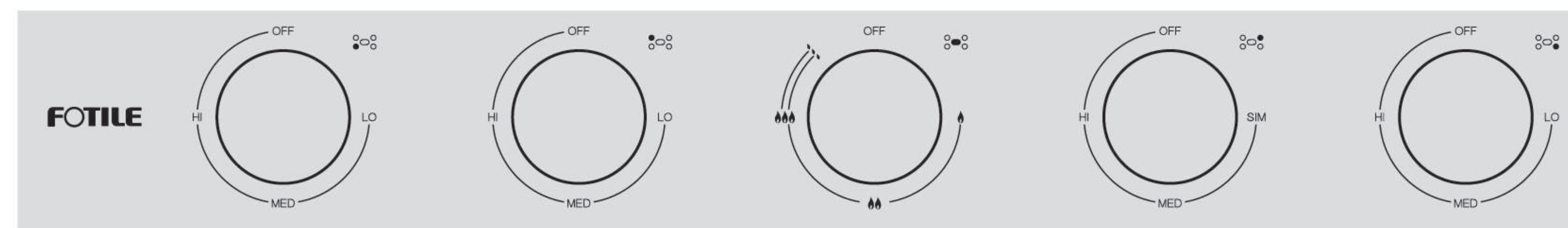
### 为确保最佳烹饪效果, 请选择合适的锅:

1. 确保所有锅的直径大于或等于烹调直径, 您可参考以下表格;
2. 避免表面摩擦, 请使用干净且底部光滑的锅;
3. 主炉头可使用炒锅, 如果使用炒锅, 请使用辅助锅支架;
4. 选择合适的锅的材质, 确保锅具是可在燃气灶上使用的。

对应的炉头	最小尺寸	最大尺寸
左前/右前	N/A	10in
主炉头	6in	12in
右后	N/A	8in
左后	N/A	10in



■ 旋钮控制



通过逆时针转动旋钮来调节火焰大小。90°大火，180°中火，270°小火。

主炉头有三圈火，最外圈火单独控制，内部两圈小火同步调节，当旋钮转至大火时，三圈火力同时为最大火焰状态；当大火转至中火时，外圈火焰逐步变小，内圈火焰维持不变，到达中火档位时外圈火焰为最小维持燃烧火焰状态，内圈火焰保持大火状态；当旋钮转至小火时，外圈火焰先逐渐熄灭，后内圈火焰开始变小，到达小火档位时内圈火焰为最小维持燃烧火焰状态。旋钮可往回旋转至大火至OFF档位的任意位置处，在该区间，内外环火同步变换，确保锅各处均匀受热。

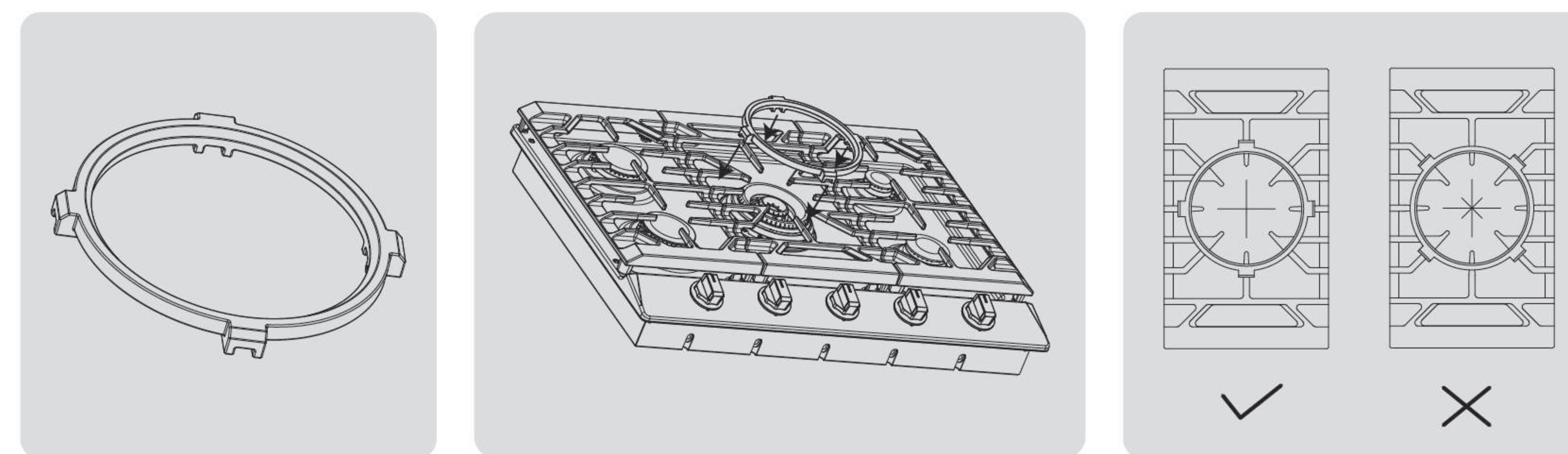
燃烧器	目的	特征	适合的食物类型
左前/右前	快速加热、常规烹饪	良好的中高热源，通用燃烧器	适合各种食物
主炉头	煮沸、翻炒、烧灼、煎炸、水煮、煲炖	多功能三环燃烧器，从22,000BTU至2,500BTU，大火到小火全面覆盖	快炒、肉、蔬菜、鸡蛋、煎饼、薄饼、汤、调味汁
	炒锅	快速加热	快炒、煎炒
右后	炖煮、保温和加热	需要长时间小火烹饪的食物	酱汁、巧克力黄油、砂锅菜
左后	常规烹饪	低/中热至炖煮	通用烹饪

■ 辅助锅支架

辅助锅支架：

炒锅通常用来爆炒。确保炒锅放置在辅助锅支架上使用。

1. 辅助锅支架只能在主炉头上使用
2. 在灶具面板和辅助锅支架完全冷却前不要移动，以免烫伤。
3. 不要使用超大的平底锅，可能会导致火焰蔓延，造成附近的损害。
4. 不要同时使用辅助锅支架和烤盘。



■ LPG气源转换

方太燃气灶出厂适用气源为天然气，如需使用液化石油气，请在使用前根据安装说明书的相关内容进行转换。



清洁和保养

故障排除

**警告**

警告：在清洁和保养灶具前，请关闭总气阀并等待其彻底冷却。

1. 清洁前，请取下锅支架和火盖
2. 经常使用温水和中性清洁剂清洗灶具。
3. 请勿使用颗粒状清洁剂、刀、清洁球等尖锐物品清洁燃烧器、锅支架、辅助锅支架、烤盘、面板的残留顽固污渍，否则会使产品产生故障或磨损装配面，进而影响灶具寿命。
4. 请使用温和无腐蚀性的中性清洁剂清洗燃烧器的可拆卸部件。清洁后请立即擦干，否则容易有白斑产生。即使有白斑产生，燃烧器仍然可正常使用。
5. 检查燃烧器上的火孔，用软毛巾或抹布轻轻擦拭，清除所有积碳。
6. 清洁燃气灶后，将其充分干燥再进行正确安装。
7. 请勿将燃烧器组件、锅支架，辅助锅支架，和烤盘放入洗碗机，否则可能会造成产品损坏。
8. 溢锅后请及时清理溢液，请勿让溢液流入燃烧器底杯内部。

问题	原因	解决方案
闻到煤气味	漏气	不要使用灶具，关闭燃气开关，打开窗户通风，不要触碰任何屋里开关。请立即离开厨房并打电话给专业人员进行维修。
打不着火	忘记打开总阀体	先关闭旋钮，再打开总阀门
	空气混入燃气管	反复打火，直到空气完全排掉
	火盖、喷火器没有安装到位	请参考快速安装指南，将火盖、喷火器放置到位。
	点火装置及绝缘点脏污潮湿	用干布擦干净
	安全阀未开	确保燃烧器点着火并持续按压3-4秒。
	热电偶头部脏污	用干布擦干净
	燃烧器火孔、喷嘴堵住	将燃烧器取下用清水冲洗干净并用干布擦干净。拿细长的针通一通喷嘴孔，确保喷嘴口畅通不堵塞。
	点火装置有问题	请专业维修人员维修
火焰变小	燃烧器喷嘴堵住	拿细长的针通一通喷嘴孔，确保喷嘴口畅通不堵塞。
火焰长度不均匀	燃烧器脏污，火孔堵住	将燃烧器取下用清水冲洗干净并用干布擦干净。
	火盖、喷火器没有安装到位	请参考快速安装指南，将火盖、喷火器放置到位。
火焰异常	锅具溢液后，汤水大量溢出，流入燃烧器底杯腔体内部，造成出气不均。	溢锅后请及时清理溢液。用干净的抹布清理溢液，拿开喷火器和火盖，查看燃烧器底杯腔体有无液体，若有请及时清理。



**请将收据装订在此处，维修需出示原始购买证明。**

所有保修服务均由我们工厂服务中心或授权客服技术人员提供。如需预约服务，请致电方太美国客服1-888-315-0366或发送电子邮件至serviceusa@fotile.com。请在呼叫维修前先了解产品序列号和型号。

**燃气灶保修：**

5年有限保修：第1年人工服务和零部件免费保修，第2~5年零部件免费保修。  
 由于材料或工艺缺陷导致的灶具任何部分故障，在有限保修期内，方太美国将在第1年免费提供所有人工服务和上门更换有缺陷的零部件。在接下来的4年里，方太美国将只提供零部件保修。

**不在方太美国保修范围内的事项：**

1. 上门服务，指导如何使用产品。
2. 用户自行安装、搬运或维护不当。
3. 因产品被滥用、误用、修改或用于其他目的或商业用途，导致产品故障。
4. 因使用含强碱强酸的清洁剂而导致灶具表面损坏生锈。
5. 更换家庭电路中的保险丝或断路器。
6. 特殊事故、火灾、洪水或其他不可抗力造成的产品损坏。
7. 可能因本产品缺陷而导致的意外或重大损害。
8. 产品交付后用户自行损坏。
9. 产品因使用了不符合规定的电源电压而导致的产品损坏。
10. 产品因处于维修人员不可到达之处而无法获得所需的服务。
11. 在交货30天后提出的产品表面损坏：如表面锈迹、污点或瑕疵

**■ 保修范围外：**

本保修范围覆盖在美国购买产品的原始购买者以及任何后续所有者。如产品位于方太家电授权的维修人员不可到达之处，则由您负责支付维修人员上门维修的交通费或者您可能需要将产品带至经方太授权的维修场所进行维修。在阿拉斯加和夏威夷，保修不包括送货或上门服务的费用。本保修单为您提供特定的法律权利，且因各州法律不同，您可能还享有其他权利。如需了解您的合法权利，请咨询当地或州消费者协会或所在州的法律顾问。

**承保人：FOTILE AMERICA LLC**

方太美国，serviceusa@fotile.com，1-888-315-0366

**■ 消费者支持：**

**方太网站**

对电器有任何疑问或需帮助？方太官网为您提供全面详实的产品自助服务！您也可购买其他方太产品。www.fotileglobal.com

**产品登记**

购买产品后，您可随时在线登记您的产品！请及时进行产品登记，以便在您有需要时，我们可及时与您沟通并提供服务。您也可通过邮寄包装内的印刷保修卡的方式进行注册。  
<https://shop.fotileglobal.com/register-today-for-product-support/>

**服务预约**

方太的专业维修服务离您仅一步之遥。仅需致电：1-888-315-0366或发送电子邮件至serviceusa@fotile.com即可预约服务。

**零部件和配件**

如需购买产品的可选配件，请访问<https://shop.fotileglobal.com/product-category/accessories/>或联系方太美国的授权零售商。如需购买或更换产品内部的零部件，请致电方太美国1-888-315-0366。

**联系我们**

如您在安装和使用过程中有任何问题，请随时致电美国方太1-888-315-0366或发送电子邮件至serviceusa@fotile.com。



方太美国官网



维修零件商城



可选配件商城



