

BIG3610

36-in Insert Range Hood

FOTILE
A BREATH OF FRESH ENGINEERING®



Specifications

Style and Design

| | |
|------------------|----------------------------------|
| Material | Tempered Glass & Stainless Steel |
| Color | Black |
| Installation | Built-in |
| Operation | Motion + Touch |
| Screen Lock | Yes |
| Delay Shutoff | 2 min |
| Illumination (W) | 3W x 2 (LED) |
| Grease Cup | 1 Oversized |
| Grease Filter | Removable & Dishwasher Safe |

Performance

| | |
|------------------------|-----------------------|
| Motor | DC Motors |
| Speed Setting | 2+Turbo+100-sec Boost |
| Max Equiv. CFM | 1100 CFM** |
| Noise Level (sones) | / |
| Noise Level (dB) | 44.0 / 52.0 / 59.0 |
| Grease Filtration Rate | 92% |
| Odor Reduction Rate | 97% |

Technical Specs

| | |
|---------------------|-----------|
| Wattage (W) | 258W |
| Power Supply (V/Hz) | 240V/60Hz |
| Vertical Duct | 7" |

Warranty Summary

| | |
|-------|--------------------|
| Labor | 2 Years |
| Parts | 5 Years (Limited) |
| Motor | Lifetime (Limited) |

Main Features

Automatic Height Adjustment

Effortlessly activate the range hood with motion sensing. It automatically lowers and lifts, adding a modern touch to your kitchen.

Built-in Design

Provides a concealed appearance when not in use, offering a high-end and unobtrusive look for your kitchen.

PMSM (Permanent Magnet Synchronous Motor)

With higher load-bearing capabilities, it ensures superior ventilation with less noise, as utilized in modern electric vehicles.

Sync Function* with Cooktop

Synchronize the hood with compatible FOTILE cooktops without the need for a phone or router, ensuring a stable and convenient connection.

Large Capacity Oil Cup Design

Experience hassle-free oil management without drips, ensuring a cleaner and more organized cooking space with extended cleaning frequencies for ultimate peace of mind.



*This feature is available with any FOTILE Cooktop that features Sync Connect.

**FOTILE Equivalent CFM is a higher CFM rating due to our filterless technology that combines WhisPower Motors and Capture-Shield design. By utilizing this technology, FOTILE applies the Coanda Effect by accelerating smoke extraction and grease separation, and increasing our Capture Efficiency. This enables FOTILE to cover a larger cooktop surface (7.2 sq.ft.) and achieve a 92% oil filtration rate, and 97% odor reduction rate, keeping your kitchen smoke free and smelling fresh.

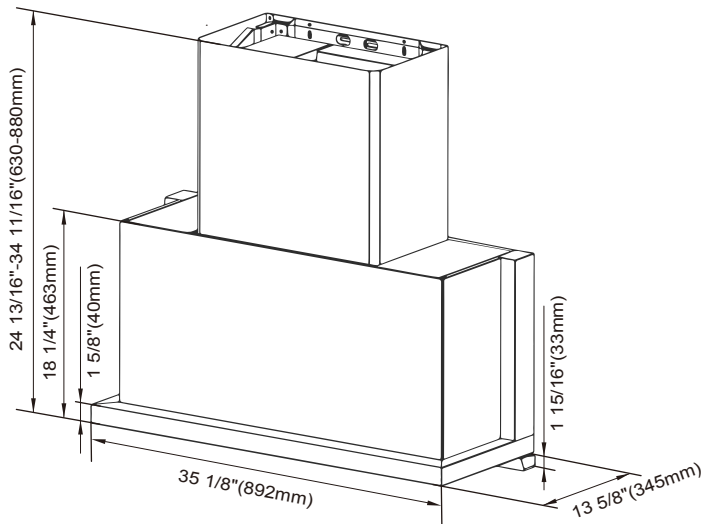
BIG3610

36-in Insert Range Hood

FOTILE

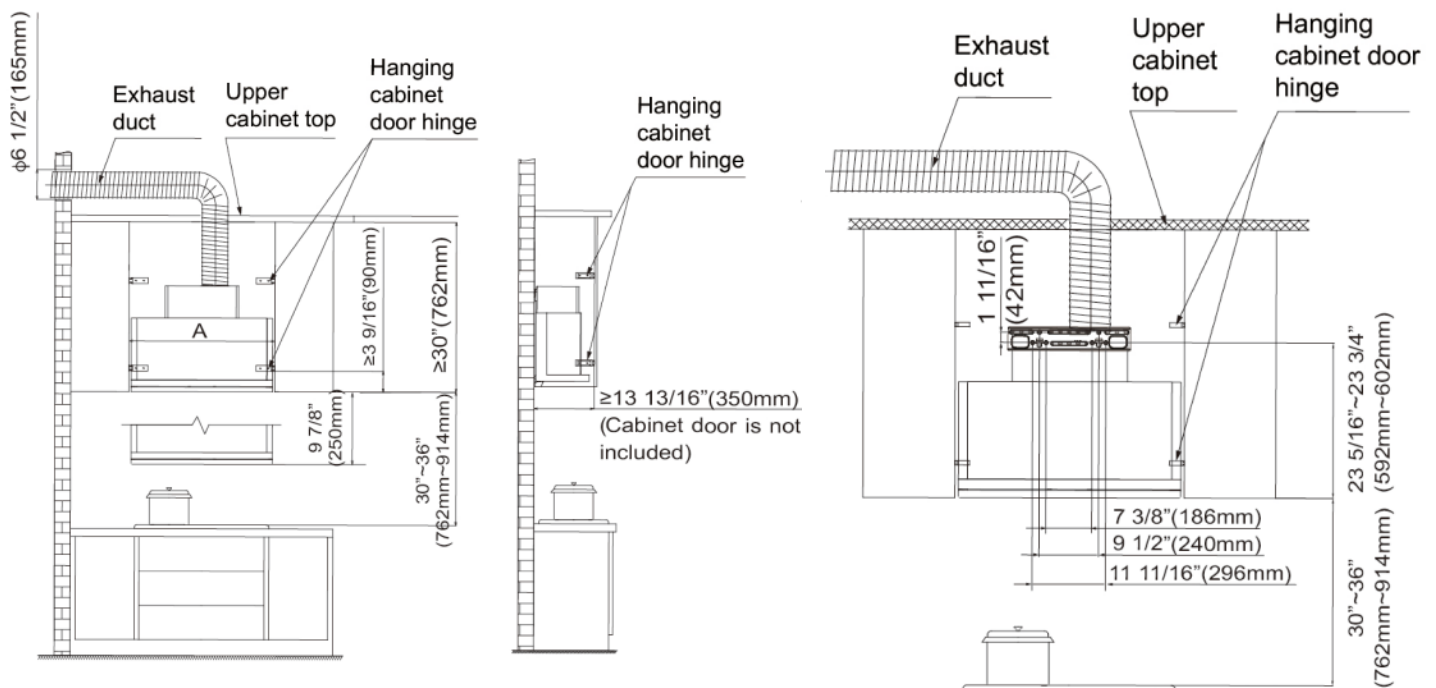
A BREATH OF FRESH ENGINEERING®

Product Dimensions



| Product Dimension / Weight | |
|----------------------------|--------------|
| Overall Width (inches) | 36" |
| Overall Height (inches) | |
| (with chimney) | 24 13/16" |
| (without chimney) | 18 5/16" |
| (adjust to the lowest) | 38" |
| Overall Depth (inches) | 13 5/8" |
| Net Weight (approx.) | 99 1/5 lbs. |
| Gross Weight (approx.) | 112 2/5 lbs. |

Installation Dimensions



Accessories: To purchase FOTILE accessories and parts, please visit us at us.fotileglobal.com or call 1(888) 315-0366.

Notes: All height, width, and depth dimensions are shown in inches. FOTILE reserves the absolute and unrestricted right to change product materials and specifications at any time without notice. Consult the product's installation instructions for final dimensional data and other details prior to installation.

Warranties: Please see the user manual or FOTILE website for the statement of limited warranty.

For more information on our entire line of products: visit us.fotileglobal.com or call 1(888) 315-0366.

©2023 FOTILE America LLC. All rights reserved. FOTILE is a registered trademark of FOTILE Group.