



PART #'S JL5618

**JL/JT FRONT RALLY LIGHT BRIDGE
INSTALLATION INSTRUCTIONS**



ESTIMATED INSTALLATION TIME

.5 to 1 hours

REQUIRED SKILLS

- General Mechanics Skills

REQUIRED TOOLS & SUPPLIES

- Flathead screw driver
- 3/16" allen wrench
- Safety glasses

NOTES:

- Component appearance in instructions may vary from those received

WARNING MESSAGES

This product demands a basic understanding of mechanical procedures and should only be installed by individuals proficient with mechanic's tools. Any tasks involving welding or cutting parts should be performed by trained professionals. Artec Industries disclaims responsibility for mishaps arising from improper installation, or any damage or accidents resulting from cutting or welding tasks. Exercise caution and seek professional help as required

SAFETY

1. We've furnished a written installation guide, along with relevant details, to aid you in making safety-conscious decisions.
2. While these guidelines will highlight potential risks, it's crucial to exercise your personal judgment when performing any required steps.
3. Before initiating any tasks, it's essential to conduct a job safety analysis to identify specific hazards in your situation and take measures to eliminate or protect against them.
4. Before commencing the installation of this product, make sure you familiarize yourself with and fully understand all safety warnings and guidelines.

DISCLAIMERS

All Artec Industries products should be installed by a competent, certified individual following the intended installation instructions for each product. Incorrect installations not only nullify any warranties but could also lead to product damage or even damage to the vehicle it's installed on. Prior to installation, carefully read all provided instructions or manuals, and watch any associated videos. For any doubts or queries, reach out to Artec Industries before beginning the installation process.

Many products necessitate lifting and supporting the vehicle off the ground. It is the installer's responsibility to ensure this can be done safely and that the right equipment is at hand to carry out the installation. Artec Industries installation instructions presume the installer is competent to lift the vehicle safely and correctly.

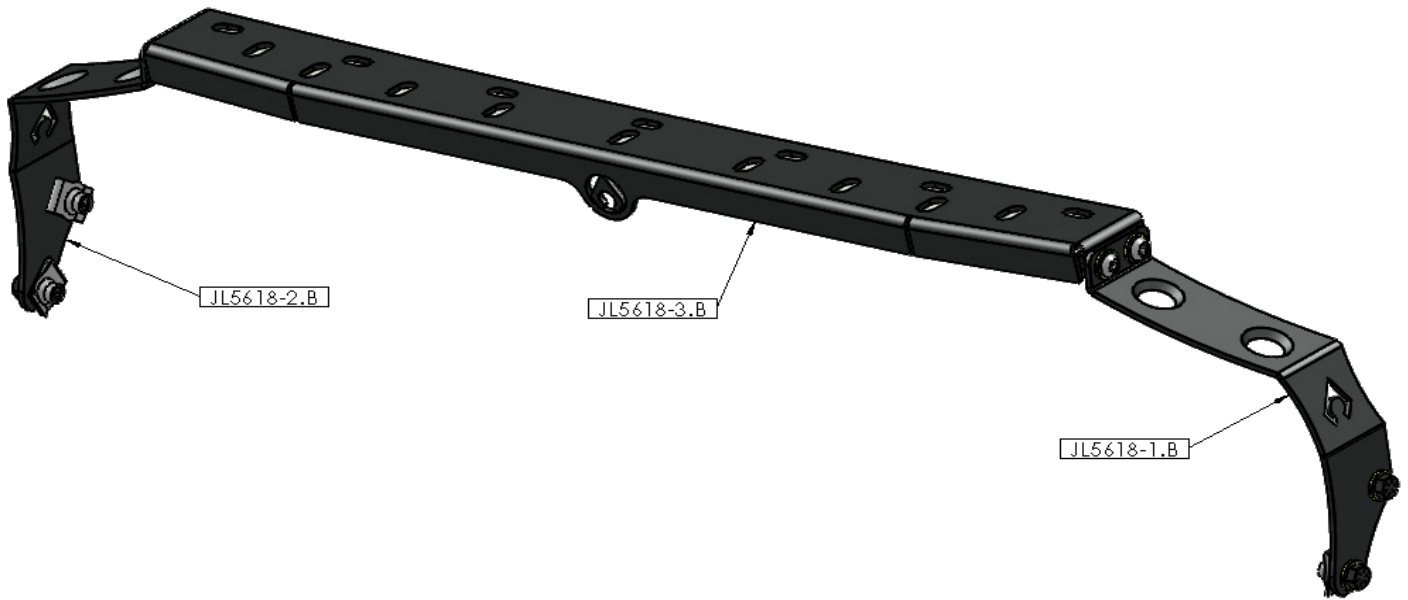
Modified vehicles won't perform identically to their stock counterparts. It's incumbent upon the vehicle owner to understand the alterations such modifications will bring to the vehicle's driving dynamics. These might encompass (but aren't limited to): changes in handling, braking, rollover angle, and potential incompatibilities with the factory-installed anti-lock braking systems, stability control systems, or traction control systems.

SPECIAL NOTES

- Unless otherwise noted, all hardware should be **LOOSELY** tightened by hand until the very end of installation when all components are attached.

JL5618 PARTS BILL OF MATERIALS

Please confirm you have all the listed parts below BEFORE beginning your installation. If any parts are damaged or missing, KEEP ALL ORIGINAL BOXES and PACKAGING and contact us.

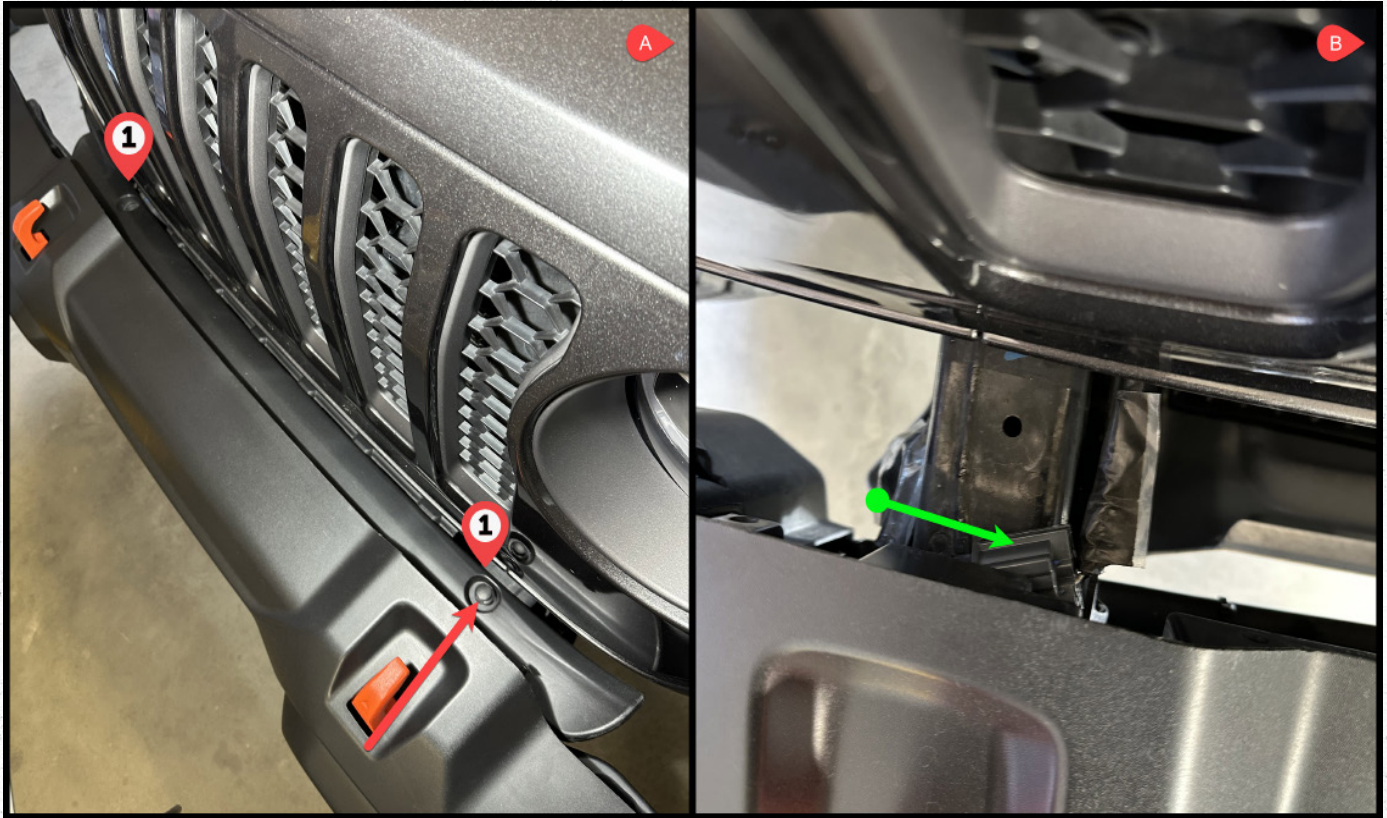


NOTE: The part numbers indicated above end in a "." and "letter" which indicate the revision number for the part. The etched part number on your physical parts do not need to match the above drawing revision exactly.

HK5618.B HARDWARE BILL OF MATERIALS

ITEM NO.	PART NUMBER	DESCRIPTION	QTY.
1	HW0115	5/16"-18 x .625" L Bolt, Black Zinc	4
2	HW0116	5/16 Flat Head Washer	8
3	HW0201	No-Slip Clip-On Barrel Nut, 5/16"-18 Thread Size, 0.562" From Hole Center to Edge (McMaster)	4
4	HW0140	5/16"-18 x .750" L Steel Button Head Bolt, Black Zinc	4

DISASSEMBLY INSTRUCTIONAL GUIDE



Step 1:

A: Using a screw driver remove the Closeout panel by removing the 2 - plastic push pin rivets ❶

B: Realign the bumper/fog light connector from the outside of the frame to the inside of the frame as seen above.

NOTE: Depending on the bumper, the closeout panel may have different/more plastic push pin rivets.

ASSEMBLY INSTRUCTIONAL GUIDE

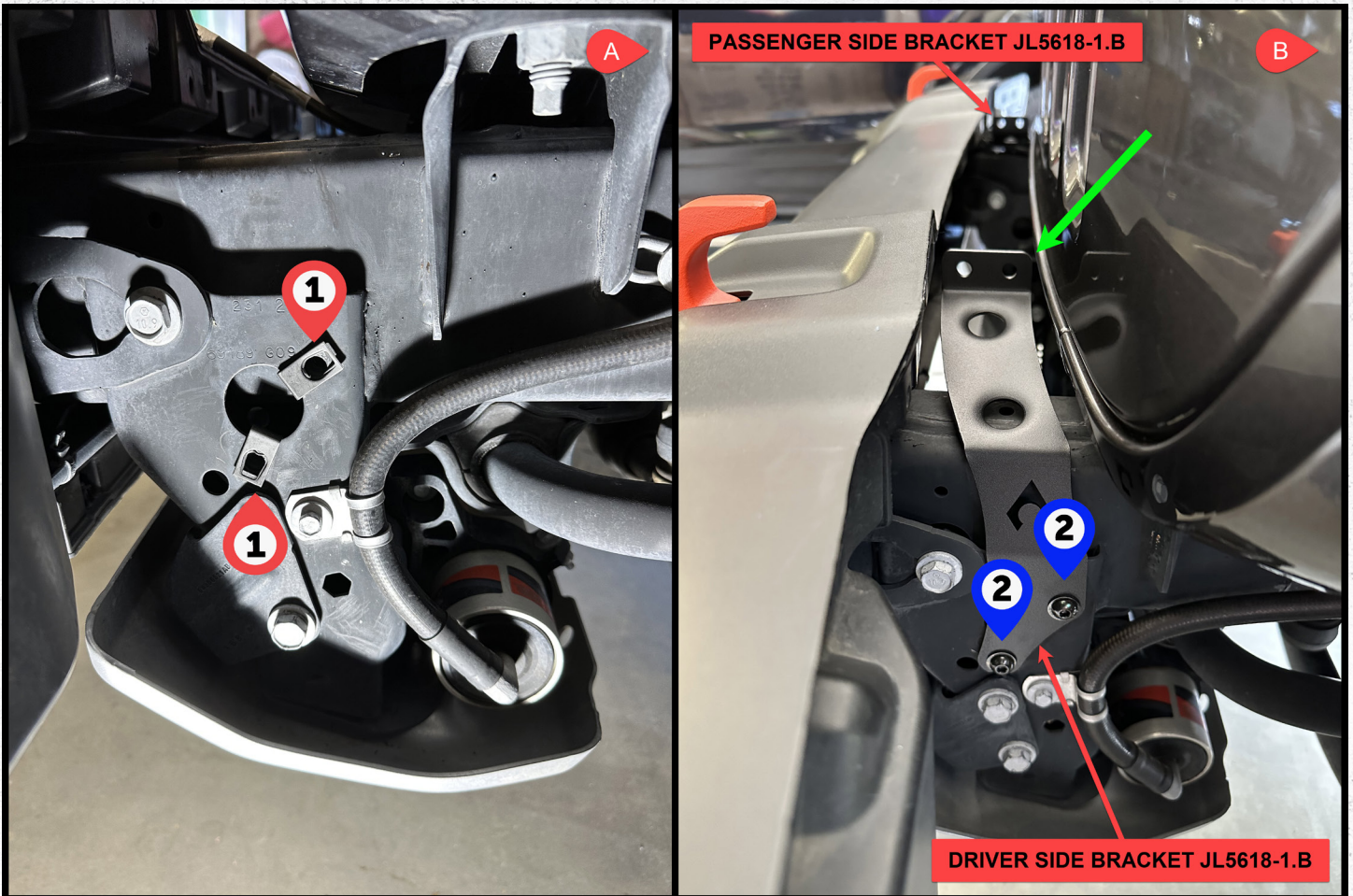


Step 2:

Assemble your lights to the Rally bridge. You will tighten your light bracket hardware at this stage because you will have a hard time accessing the hardware once assembled in place.

NOTE: You can disassemble the Rally bridge from the uprights and make adjustments later.

NOTE2: Verify all light wiring is routed as necessary and there is enough strain relief.



Step 3:

A: Insert the 4 - Clip-on barrel nut **1**, threads on the backside, into the locations shown above.

B: With the barrel nuts in the correct locations *loosely* assemble the brackets as shown above using 4 - 5/16 x 5/8" bolts with 4 - 5/16 flat washers **2** using the 3/16" allen wrench.

C: Adjust the brackets and make sure there is at least an 1/8" of space between the grill and the brackets (**GREEN ARROW**). Tighten the bracket hardware.



Step 4.

Assemble the Rally light bridge using 4 - 5/16 x 5/8" bolts with 4 - 5/16 flat washers ② with the 3/16" allen wrench.

Wire per the light manufacturers instructions.



Step 5: With the bracket hardware tightened, adjust your lights and tighten them per the light manufacturer instructions.

CONCLUSION AND MAINTENANCE GUIDE



CONCLUSION

Congratulations on finishing the installation for your Artec Industries Rally Light Bridge!

Before driving your vehicle, inspect all bolts again to ensure proper tightness.

Now take your vehicle out and enjoy the outdoors in confidence.

MAINTENANCE / CARE

- After 500 miles, inspect all components and hardware to ensure they are properly fasteners
- Use standard powder coating care and maintenance procedures