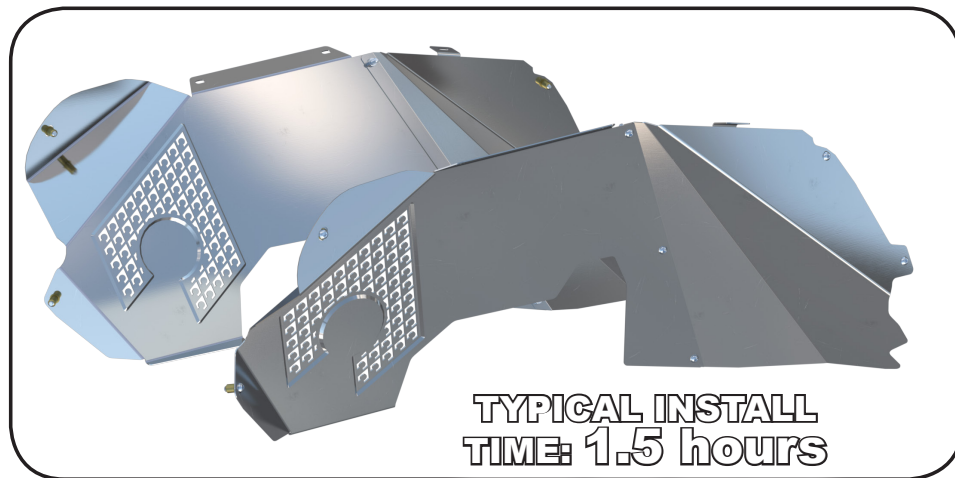


# ARTEC INDUSTRIES JK FRONT INNER FENDERS

Thank you for your purchase of our inner fenders. If you have any questions that are not answered in these instructions, please feel free to contact us directly at sales@artecin-  
dustries.com or 855-278-3299 and we will be happy to help you.

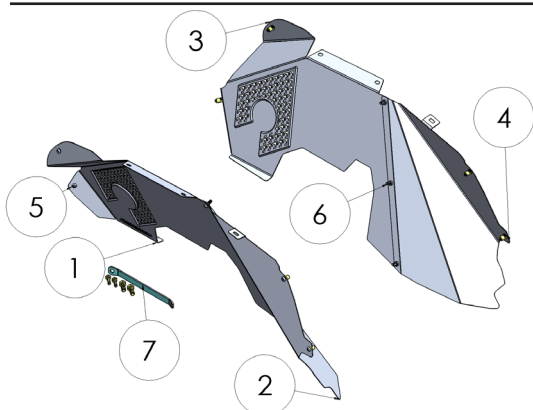


**TYPICAL INSTALL  
TIME: 1.5 hours**

## REQUIRED TOOLS

- 11/32" Drill Bit
- Center Punch
- 10MM Wrench or Socket
- 5/32" Allen Wrench

**STEP 1.** Unpack contents of shipment. Make sure that all of the parts required are included with your kit. If any items are missing, and packaging is damaged, report it to the shipping company driver, **KEEP ALL ORIGINAL PACKAGING &** contact us.



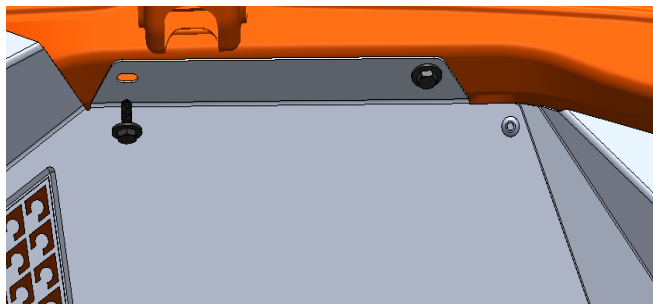
## Bill of Materials JK21xx

ITEM NO.	PART NUMBER	QTY	DESCRIPTION
1	JK21xx-1	1	Driver Side Front
2	JK21xx-2	1	Driver Side Back
3	JK21xx-3	1	Passenger Side Front
4	JK21xx-4	1	Passenger Side Back
5	HW0060	8	1/4"-20 Rivet Nut
6	HW0062	14	1/4"-20 x 3/4 Button Screw
7	TC0011	1	Rivet Nut Tool Kit

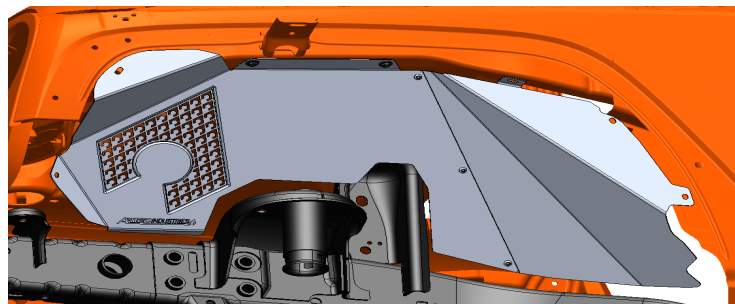
**STEP 2.** Park Vehicle on level ground and apply parking brake and securely raise the front tires off the ground. Remove front tires for ease of access to fender cavities. We will begin on the driver side, start by removing the OEM Fender flare. The flare is attached with 6 bolts, use a 10MM to remove. Then disconnect the OEM marker light. The flare is now only held on by plastic clips. Gently pull the assembly until the clips pop out.



**STEP 3.** Next loosely assemble the driver side fender using 3 of the supplied #6 bolts. Using 2 of the OEM bolts that you removed in the previous step. Loosely install the liner using the holes shown. (do not tighten the bolts).

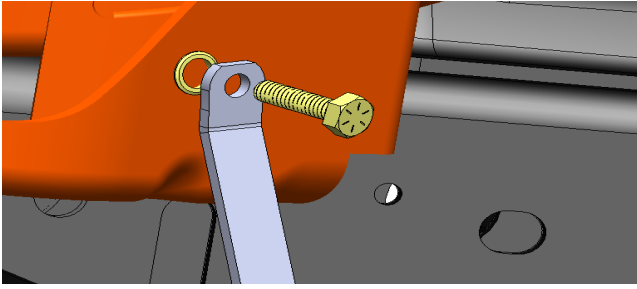


**STEP 4.** Mark the holes that need to be drilled for rivet nut install. Center punch holes and drill using a 11/32 drill bit. Drilling the hole closest to the firewall can be done from the back side of the flange. (On the passenger side unclip the wiring to provide room for the drill.)

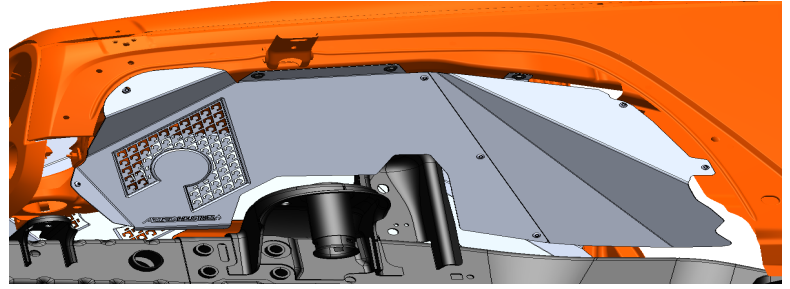


**NOTE: THIS KIT INVOLVES VEHICLE MODIFICATION AND MECHANICAL SKILLS. IF YOU ARE NOT CONFIDENT IN YOUR SKILLS, CONTACT A PROFESSIONAL INSTALLER.**

***STEP 5.*** Install rivet nuts using the provided tool. Ensure rivet nuts are secure and properly installed. Do not overtighten!! Once the bolt becomes snug by hand tightening, stop and remove the tool.



***STEP 6.*** Install inner fender using 3 of the OEM bolts and 3 of the provided #6 bolts. Do not tighten bolts until they are all loosely installed. Tighten all the mounting bolts and then finish by tightening the bolts that connect the two fender pieces.



***STEP 7.*** Repeat Steps 2-6 on the passenger side inner fender. We recommend at this point you remove the inner fenders and have them coated to prevent corrosion. If installing the trim to fit inner fenders ensure your inner fender has proper clearance around suspension brackets to eliminate rubbing and squeaking.

\*\*Artec Industries LLC is not responsible or liable for improper installation of this kit.\*\*

**NOTE: THIS KIT INVOLVES VEHICLE MODIFICATION AND MECHANICAL SKILLS. IF YOU ARE NOT CONFIDENT IN YOUR SKILLS, CONTACT A PROFESSIONAL INSTALLER.**