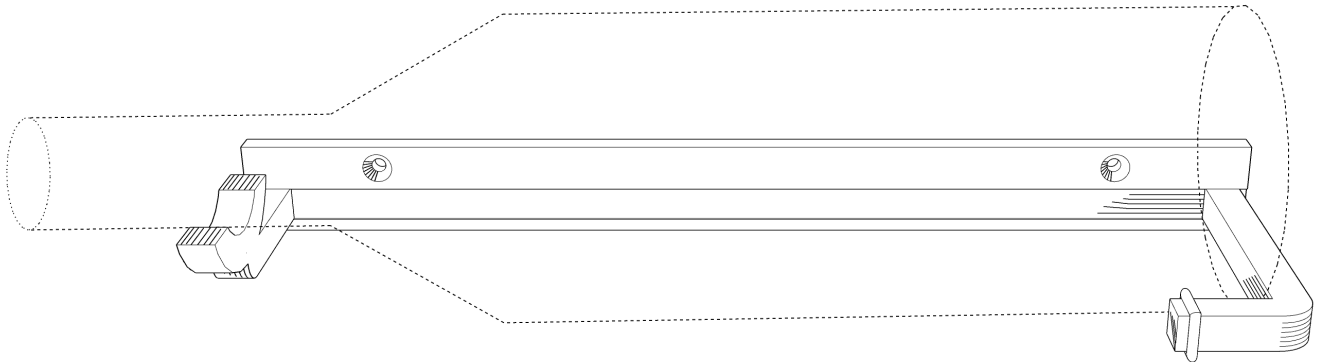




## WINE HARDWARE MODEL K21B

The Kessick Wine Hardware is a premium quality decorative hardware product designed to display and store wine on a vertical surface such as a wall, casework, backbar, kitchen backsplash and more.



The Kessick Wine Hardware displays wine in a label forward format with the orientation of the wine bottle tilted optimally to maintain constant contact between the wine and the cork. Patent Pending.

reversible  
arms change  
direction of  
bottle



constructed  
of black  
anodized  
aluminum



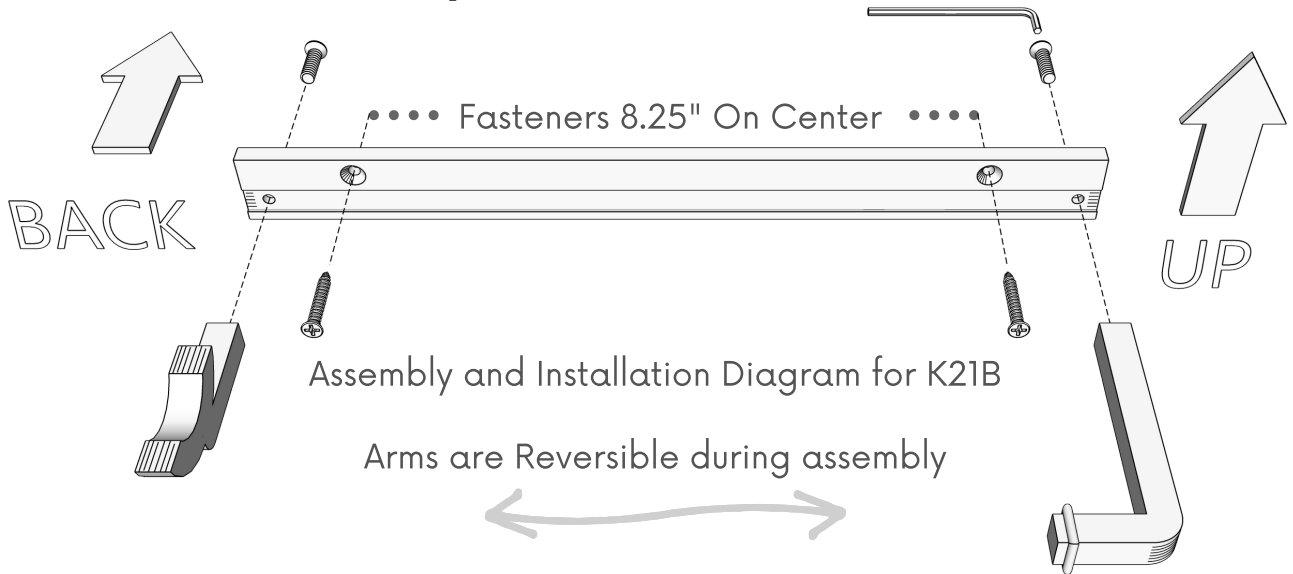
rubber  
O-ring grip  
& cushions  
wine bottle



residential  
retail and  
hospitality  
applications

The Kessick Wine Hardware can be secured to any vertical substrate with the use of taper screw holes that are strategically located behind the wine bottle. Assembly and installation diagram on back.

Assembly and Installation Diagram on Back



Includes screws and wrench to assemble the arms as well as 1" wood screws to secure the Kessick Wine Hardware a wood surface.

Different fasteners 'by other' may be required depending on the substrate material the wine hardware is being attached to (i.e. tile, brick, etc.)

Note:

Direct sheetrock attachment requires a toggle hardware 'by other' to secure K21B wine hardware safely. It is the installers responsibility to select the proper fastener per application.

