



TASK FORCE TIPS®
FIRE FIGHTING EQUIPMENT

January 1, 2022

TFT Full Line Catalog
including New Force
and Adapters

TFT.com

A photograph of two firefighters sitting in the cab of a fire truck. They are wearing brown turnout gear with reflective yellow stripes and black helmets. The firefighter in the foreground is smiling and looking towards the camera. The background shows the interior of the truck with various equipment and a 'CrewProtect' logo on a panel.

YOUR GO-TO GUIDE

**FOR LIFESAVING
TOOLS & EQUIPMENT**

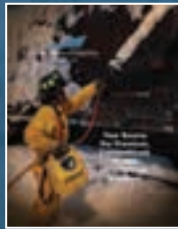
Health ★ Fire Attack ★ Industrial ★ Wildland ★ Water Supply

Contact your local TFT distributor for information, literature, demonstrations and support.



THREE TFT CATALOGS INTO ONE

TFT Full Product Catalog • New Force Catalog • Adapter Catalog



TFT's 2022 catalog combines three of your most comprehensive solution tools into one complete package. Within these pages you'll find our full line of TFT firefighting products, our budget friendly New Force products as well as our Adapter products.

The comprehensive table of contents and index will assist you in finding the perfect solution for your firefighting, health, safety and flow test needs. This year many product entries feature a "frequently purchased" list of products that can assist you in quickly building the solutions that meet your specific needs.

Check out the New Product section where you'll find exciting innovations including new Health/Air Quality products designed to protect you and your crew in the cab and at the station.

MADISON®
INDUSTRIES

Task Force Tips is part of the Madison Industries family of companies. Madison is one of the largest and most successful privately held companies in the world. Madison believes in a safer, healthier and more productive world.

800-348-2686 • 219-462-6161 • TFT.com

Task Force Tips saves lives and protects property by designing and manufacturing innovative tools which exceed the expectations of those that risk their lives to save others.



TASK FORCE TIPS LLC
ISO 9001:2015
10011004 QM15





Breathe Easy, Your Crew Is Protected.

Reduce Airborne Cancer and Viral Threats in the Truck and at the Station



StationProtect™
MULTI-THREAT AIR FILTRATION

- Cleans the air in your gear rooms, sleeping quarters, and living spaces up to 2400 ft² (731 m²)
- Removes particulates, VOCs, smoke, aerosols carrying viruses and bacteria, and even mold
- Portable and works on standard electrical outlets

After leaving a fire, your clothing and equipment are contaminated with cancer causing particulates and Volatile Organic Compounds. At medical responses, you are exposed to both bacterial and viral threats. CrewProtect and StationProtect are complete air filtration systems that address those threats and help prevent deaths due to viruses and cancer.



Get the facts at
CrewProtect.net

Patent claims and testing information at tfti.com.



CrewProtect™
MULTI-THREAT AIR FILTRATION

- Created for the fire service with proven and patented filtration technology
- Mount anywhere in your cab or ambulance body
- Plug-and-play solution for your new or in-service trucks

EXTEND-A-GUN VP™

The latest addition to the Extend-A-Gun series, the VP offers a complete solution from TFT: monitor, nozzle, waterway, and valve!

Deploy and stow operations are efficiently controlled by pneumatics and the inlet valve interlock system aids safe operations.

Flow up to 1,500 gpm (6,000 l/min).

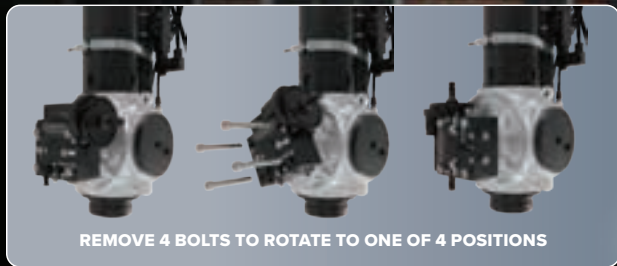
Inlet Valve Interlock

Built-in safety with the interlock. TFT also includes a redundant manual override for deploy/stow operations for further security.



Valve Control Flexibility

In a single part (SKU) you can mount the gear box in one of four positions to ensure it fits your unique apparatus.



BOTTOM PORT



RIGHT PORT



LEFT PORT

Multiple Inlet Plumbing Options

Compatible with a variety of pumps, panels, and plumbing configurations so it's easy to install as well as service in the field.

Pneumatically Controlled

Toggle switch controls on the panel keep the operator safely on the ground when deploying and stowing the monitor.

Integrated Valve

TFT has integrated a manually controlled valve that eliminates the need for a separate inline valve upstream from the Extend-A-Gun. The valve incorporates TFT's proven half ball design for longevity.



RADIUS™

Raising The Bar Has Never Been Easier

**The Highest Flowing
Deck Mounted
Monitor In Its
Class At 1500 gpm**

(1250 gpm model available)

**The Highest Elevating
Deck Mounted Monitor
In Its Class**

(deployed height without nozzle)

**The Most Compact
Deck Mounted
Monitor In Its Class
At Under 15"**

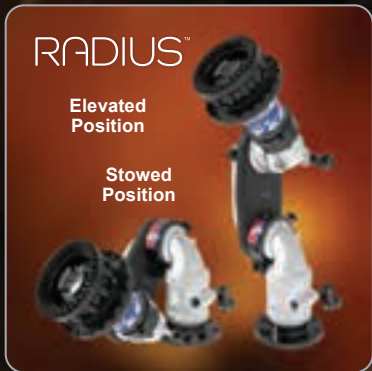
(stowed overall height without nozzle
when in the lowered position)

**360°
Continuous
Horizontal
Rotation**

(90° up, 45° down vertical)

**Installs Easily
On 3" Or 4"
Apparatus
Outlets**

(field swap to upgrade
an existing deck gun)



RADIUS Y35-D21A
with MASTER
STREAM 1500



For More Information Visit
TFT.com/RADIUS

BLITZTAC™

Safety Comes Standard

"The new BLITZTAC™ portable monitor brings best in class performance to the fire service once again."

- ✓ **LOW ANGLE OF ATTACK**
starts at a low 10 degrees and ranges up to 50 degrees.
- ✓ **FIREFIGHTER SAFETY**
is never optional and neither is the integrated safety valve to protect crews from unintended monitor movement.
- ✓ **FULLY CERTIFIED**
to NFPA 1964 and EN15767-1
- ✓ **QUICK DEPLOYMENT**
500 gpm (2,000 l/min) in a compact, lightweight package with superior stability.



For More Information Visit
TFT.com/BLITZTAC

BLITZTAC XXB111A shown with stacked tips.

NEW PRODUCTS

CREWPROTECT™ / STATIONPROTECT™1
EXTEND-A-GUN VP™2
RADIUS™3
BLITZTAC™4

TABLE OF CONTENTS5-8

CUSTOMER SUPPORT AND ORDER INFORMATION9

HEALTH / AIR QUALITY

DECON/PAK™10
 Portable Decontamination System10
CREWPROTECT™11
STATIONPROTECT™12

FLOW TEST

SHO-FLOW® APP.13
SHO-FLOW® 1 AND SHO-FLOW® 214
 Bluetooth® Flow Meters14
LINE PRESSURE GAUGES15
 1.5" and 2.5" (38 mm and 64 mm)15

HANDHELD NOZZLES

BALL VALVE SERIES
 1.0" (25 mm) and 1.5" (38 mm) 16-17
 2.5" (64 mm)18

SMOOTHBORE TIPS
 1.0" (25 mm) and 1.5" (38 mm) 20

FOLDING PISTOL GRIPS21

PLAYPIPES22

SMOOTHBORE INSERTS22

STREAM STRAIGHTENERS22

VORTEX® SERIES
 VORTEX® NOZZLES 1.5" (38 mm) and 2.5" (64 mm)23

VIT™ BALL VALVE SERIES
 VALVE INTEGRAL TIP 1.5" (38 mm) and 2.5" (64 mm)24

FIXED GALLONAGE
 METRO™1 Nozzle Series 1.5" (38 mm)25
 METRO™1 Nozzle Series 1.5" (38 mm) Ordering Matrix26
 METRO™2 Nozzle Series 1.5" (38 mm) and 2.5" (64 mm)27
 METRO™ 2 Nozzle Series 1.5" (38 mm) and 2.5" (64 mm) Ordering Matrix28

FIXED GALLONAGE with PRESSURE RELIEF
 WORKING FIRE™ Nozzle Series 1.5" (38 mm) 29-30

DUAL GALLONAGE
 TWISTER™ Nozzle Series 3/4" (19 mm) and 1" (25 mm)31

SINGLE AND DUAL GALLONAGE
 TWISTER™ Nozzle Series 1.5" (38 mm)32

DUAL GALLONAGE FOAM
 BUBBLE CUP® Foam Nozzle Series 1" (25 mm)33

SINGLE AND DUAL GALLONAGE FOAM
 BUBBLE CUP® Foam Nozzle Series 1.5" (38 mm)34

SELECTABLE GALLONAGE

QUADRAFOG® DQ40 Nozzle Series 1" (25 mm)35
 QUADRAFOG® DQ60 Nozzle Series 1" (25 mm)36
 QUADRAFOG® Nozzle Series 1.5" (38 mm)37
 QUADRAFOG® Nozzle Series Metric38

SELECTABLE GALLONAGE FOAM

QUADRACUP™ Foam Nozzle Series 1.5" (38 mm)39

SELECTABLE GALLONAGE

THUNDERFOG® 200 Nozzle Series 1.5" (38 mm)40
 THUNDERFOG® 250 Nozzle Series 1.5" (38 mm) and 2.5" (64 mm) ... 41-42

AUTOMATIC

ULTIMATIC™ 125 Nozzle Series 1.0" (25 mm) and 1.5" (38 mm) 43-44
 ULTIMATIC™ Metric Nozzle Series45
 ULTIMATIC™ Nozzle Series with IMPULSE™ Trigger Valve System
 1" (25 mm) and 1.5" (38 mm)46
 MID-MATIC™ Nozzle Series 1.5" (38 mm)47-48
 HANDLINE™ Nozzle Series 1.5" (38 mm) and 2.5" (64 mm)49-50
 MID-FORCE™ Dual Pressure Nozzle Series 1.5" (38 mm)51-52

AUTOMATIC FOAM

CAFS-FORCE™ 1 and CAFS-FORCE-2 1.5" (38 mm) and
 Straight Tip Nozzle Series53

AUTOMATIC

DUAL-FORCE® Dual Pressure Nozzle Series
 1.5" (38 mm) and 2.5" (64 mm)54-55

SPECIALTY NOZZLES

DRY-CHEM and DUAL AGENT Nozzle Series56

FOAM EQUIPMENT

IN-LINE FOAM EDUCTOR SERIES

60, 95 & 125 GPM and 225 & 450 L/MIN57-58
 250 & 350 GPM and 1000 & 1500 L/MIN59-60

LOW EXPANSION FOAM ATTACHMENT

FOAMJET™61
 FOAMJET™ LX61
 MX FOAMJET™ and FOAMJET™ LX for MASTER STREAM Nozzles61

MULTI EXPANSION FOAM ATTACHMENT

MX FOAMJET™62

Fixed GPM Self-Educting Foam Nozzles

MASTER FOAM™63-64

PORTABLE MONITORS

BLITZTAC™

Portable Monitor with Safety Gating Inlet65

BLITZTAC™ Packages66

BLITZFIRE®

Portable Monitor with Safety Shut-off Valve67

BLITZFIRE® Packages69

BLITZFIRE® OSC

Oscillating Portable Monitor with Safety Shut-off Valve70

BLITZFIRE® OSC Packages72

BLITZFIRE® HE

High Elevation Portable Monitor with Safety Shut-off Valve73

BLITZFIRE® HE Packages75-76

Continued next page

PORTABLE MONITORS continued

BLITZFIRE® HE OSC
 High Elevation Oscillating Portable Monitor with Safety Shut-off Valve77

BLITZFIRE® HE OSC Packages79-80

PORTABLE / DECK GUN MONITOR
 CROSSFIRE® Series81
 SAFE-TAK™ 1250 CROSSFIRE Portable Base with Safety Valve81

CROSSFIRE® SERIES ACCESSORIES
 EXTEND-A-GUN PIPE84
 FLANGE TRUCK MOUNT ADAPTER84
 COMPANION FLANGE84
 TRUCK ADAPTER, 3.0" NPT FEMALE84
 EXTEND-A-GUN RC3 / CROSSFIRE ADAPTER84

CROSSFIRE® Packages85-89

CROSSFIRE® with Extend-A-Gun Packages89-90

HEMISPHERE™
 Transportable Monitor91
 Transportable Monitor Mounting Options92
 Transportable Monitor Accessories93

HEMISPHERE™ Packages95

MASTER STREAM NOZZLES MANUAL

MAX-SERIES™96

MASTER FORCE™ SERIES
 AUTOMATIC 300-800 gpm (1100-3000 l/min)97

VORTEX® 2 AND VORTEX® 3 MANUAL98

SMOOTHBORE TIPS98

SMOOTHBORE STACKED TIPS
 Four Orifice99

MASTER STREAM STACKED TIP
 Four Orifice99

SMOOTHBORE STACKED TIPS
 Three Orifice99

SMOOTHBORE TIP
 One Orifice99

STREAM STRAIGHTENER100

MASTER STREAM SERIES
 150-1000 gpm (600-3800 l/min)101

MASTER STREAM 1250S SERIES
 150-1250 gpm (570-4700 l/min) Small Body102

MASTER STREAM 1250 SERIES
 300-1250 GPM (1100-4500 l/min) Large Body103

MASTER STREAM 1500 SERIES
 300-1500 gpm (1100-6000 l/min)104

MASTER STREAM 2000 SERIES
 300-2000 gpm (1100-7600 l/min)104

INDUSTRIAL
 ZN Fixed Nozzle105
 ZM and ZO Series Fixed Nozzle106

MASTER STREAM NOZZLES ELECTRIC REMOTE

ULTIMATIC™ SERIES
 10-125 GPM (40-500 l/min) Automatic107
 15-120 GPM (50-450 l/min) Selectable107

MID-MATIC™ SERIES
 70 - 200 GPM (260-760 l/min) Automatic108

MID-FORCE™ SERIES
 70 - 200 GPM (260-760 l/min) Dual Pressure Automatic108

ER BUBBLE CUP®
 Dual Gallonage Foam Aspirating109

MAX-FORCE™
 100 - 500 GPM (400-2000 l/min) Dual Pressure Automatic110

MAX-MATIC™
 100 - 500 GPM (400-2000 l/min) Automatic110

MASTER FORCE™ SERIES ELECTRIC REMOTE
 300-800 gpm (1100-3000 l/min) Dual Pressure Automatic111

MASTER STREAM 1000 SERIES ELECTRIC REMOTE
 250-1000 gpm (950-3800 l/min) Selectable112
 150-1000 gpm (570-3800 l/min) Automatic112

MASTER STREAM 1250S SERIES ELECTRIC REMOTE
 150-1250 gpm (570-4700 l/min) Small Body Automatic113

MASTER STREAM 1250 SERIES ELECTRIC REMOTE
 300-1250 gpm (1100-4500 l/min) Large Body Automatic114

MASTER STREAM 1500 SERIES ELECTRIC REMOTE
 300-1500 gpm (1100-6000 l/min) Automatic115

MASTER STREAM 2000 SERIES ELECTRIC REMOTE
 300-2000 gpm (1100-7600 l/min) Automatic116

VORTEX® 2ER AND VORTEX® 3ER ELECTRIC REMOTE117

TSUNAMI™ STACKED TIPS
 4 Orifice118

VORTEX® 6ER ELECTRIC REMOTE118

MASTER STREAM 4000 ELECTRIC REMOTE118

FIXED AND RC MONITORS

EF1™ RC
 200 gpm (750 l/min)119

TORNADO® RC
 500 gpm (2000 l/min)121

TORNADO® RC DUST MITIGATION
 500 gpm (2000 l/min) Compact Industrial Monitor124

PROTECTOR™ FIXED STATION MONITOR
 1250 GPM (4750 l/min)127

HURRICANE™ MANUAL
 1250 gpm (4750 l/min) Fixed Station Monitor130

HURRICANE™ Packages134

HURRICANE™ RC
 1250 gpm (4750 l/min) Remote Controlled Monitor135

RADIUS™
 1500 GPM (5700 l/min) Manually Controlled Deck Mount
 Extendable Monitor137

FIXED AND RC MONITORS continued

TYPHOON™ RC

Remote Controlled Monitor 1500 gpm (6000 l/min)
Designed for Pumper Applications140

Remote Controlled Monitor - 1500 gpm (6000 l/min)
Designed for Ladder Applications141

MONSOON® 1250

Manually Controlled Monitor - 1250 gpm (4750 l/min)143

MONSOON® RC 1250

Remote Controlled Monitor - 1250 gpm (4750 l/min)
Designed for Pumper Applications146

Remote Controlled High Clearance - 1250 gpm (4750 l/min)
Designed for Platform Applications147

MONSOON® 2000

Manually Controlled Monitor - 2000 gpm (7600 l/min)149

Remote Controlled Deck Monitor - 2000 gpm (7600 l/min)
Designed for Pumper Applications151

Remote Controlled High Clearance - 2000 gpm (7600 l/min)
Designed For Ladder and Platform Applications.152

TSUNAMI™ RC

Remote Controlled Monitor - Up To 8,000 gpm (30,000 l/min)154

RC MONITOR CONTROL ACCESSORIES

REMOTE CONTROL ACCESSORIES 156-160

VALVE KITS161

GATEABLE VALVE KITS162

EXTEND-A-GUNS

EXTEND-A-GUN™ VP

3" (76 mm) Pneumatic Telescoping Waterway with Valve 163-164

EXTEND-A-GUN™ MANUAL

3" (76 mm) Manual Telescoping Waterway165

EXTEND-A-GUN™ RC3

3" (76 mm) Remote Control Telescoping Waterway.166

EXTEND-A-GUN™ RC4

4" (102 mm) Remote Control Telescoping Waterway.167

VALVES

PRESSURE RELIEF VALVES168

VUM VALVE UNDER MONITOR™ 169-174

IVUM INDUSTRIAL VALVE UNDER MONITOR™175

APPLIANCES

BIV BALL INTAKE VALVE™

Manual and Remote Control 176-178

JUMBO BIV BALL INTAKE VALVE™179-180

JUMBO LOW PROFILE BIV BALL INTAKE VALVE™ 181-182

BIV JUMBO BALL INTAKE VALVE™ RC 183-184

BIV JUMBO LOW PROFILE BALL INTAKE VALVE™ RC 185-186

45° HI-RISE VALVE

2.5" (64 mm) Standpipe Connections187

45° HI-RISE KIT

2.5" (64 mm) Configurable for Different Stand Pipe Installations188

SLOW CLOSE HI-RISE VALVE

2.5" (64 mm)189

FORESTRY VALVE

Forestry Tee Valves190

Gated Wyes190

GATED WYE

Gated Wyes 2.5" x 1.5" (64 mm x 38 mm)191

2.5" (64 mm)192

HYDRANT VALVE

2.5" (64 mm)193

WATER THIEF

2.5" x 1.5" (64 mm x 38 mm)193

GATED SIAMESE

2.5" (64 mm)194

GATED WYE - SLOW CLOSE

2.5" (64 mm)195

GATED SIAMESE - SLOW CLOSE

2.5" (64 mm)196

LDH GATED WYE197

JUMBO SIAMESE DUAL CLAPPER198

JUMBO WYE199-200

LDH WATER THIEF200

3-WAY VALVED MANIFOLD201

3-WAY SIAMESE MANIFOLD201

4-WAY VALVED MANIFOLD202

5-WAY VALVED MANIFOLD203

OASIS™ HYDRANT ASSIST204

IN-LINE VALVE205

BARREL STRAINER206

FLOATING BARREL STRAINER206

FLOATING LOW-LEVEL STRAINER WITH JET SIPHON207

NEW FORCE PRODUCTS

INTRODUCTION

TFT's New Force Family of Products209

G-FORCE® NOZZLES

High Performance Features 210-211

G-FORCE® DOMESTIC NOZZLES

Order Matrix212

Flow and Pressure Choices213

Style of Valve213

Impulse™ Trigger Valve System214

G-FORCE® INTERNATIONAL NOZZLES

Order Matrix215

38 mm (1.5") Order Matrix216

25 mm (1") Order Matrix217

38 mm (1.5") EN15182 Certified / Pulsing Nozzles Order Matrix218

25 mm (1") EN 15182-2 PN 16 / Pulsing Nozzles Order Matrix219

25 mm (1") EN 15182-4 PN 40 / Pulsing High Pressure Nozzles
Order Matrix219

G-FORCE® FOAM ATTACHMENTS

FOAMJET™220

Continued next page

NEW FORCE PRODUCTS continued

FLIP TIP® NOZZLES

FLIP TIP® Nozzles Domestic and International Features 222
 FLIP TIP® Nozzles Domestic Order Matrix 223
 FLIP TIP® Nozzles International Order Matrix 224

PORTABLE MULTI-PURPOSE FOAM SYSTEM

PRO/pak® 225

PORTABLE LIGHTWEIGHT ATTACK MONITOR

BLITZFORCE™ 226

BLITZFORCE™ Portable Monitor Packages 226

PORTABLE LIGHTWEIGHT OSCILLATING ATTACK MONITOR

BLITZFORCE™ Oscillating 227

BLITZFORCE™ OSC Portable Monitor Packages 227

LOW PROFILE BALL INTAKE VALVE™ 228

PIERCING NOZZLE

TRANSFORMER™ PA1 229
 TRANSFORMER™ PA2 230

THE CHIMNEY SNUFFER™ 231

ADAPTER CATALOG

INTRODUCTION 232

THREAD CHARTS. 233

ADAPTERS - AA SERIES, THREADED

STYLE 53R AA10 - Swivel Rocker Lug to Rigid Rocker Lug 234
 STYLE 57L AA7H - Swivel Female Handle to Swivel Female Handle 234
 STYLE 35R AA7 - Swivel Female Rocker Lug to Swivel Female Rocker Lug 234-235
 STYLE 37R AA5 - Rigid Female Rocker Lug to Rigid Male 235-237
 STYLE 56L AA5H - Rigid Female Handle to Rigid Male 238
 STYLE 54R AA11 - Swivel Rocker Lug to Rigid Male 238
 STYLE 54L AA11H - Swivel Female Handle to Rigid Male 239
 STYLE 36R AA6 - Rigid Male Rocker Lug to Rigid Male Rocker Lug 239-240

ADAPTERS - AA SERIES, STORZ

STYLE S37S AA1 - Storz to Rigid Female Rocker Lug 241-242
 STYLE S54L AA1H - Storz to Rigid Female Handle 242
 STYLE S36S AA2 - Storz to Rigid Male 243
 STYLE S54R AA3 - Storz to Swivel Female Rocker Lug 244
 STYLE S60S AA4 - Storz to Storz 244
 AA12 - Storz to Swivel Female Rocker Lug 244
 AA12H - Storz to Swivel Female Handle 244

ELBOWS — AH SERIES, THREADED

STYLE KER AH5 - Swivel Female Rocker Lug to Rigid Male Rocker Lug 245
 STYLE KEL AH5H - Swivel Female Handle to Rigid Male Rocker Lug 245
 AH7 - Swivel Female Rocker Lug to Swivel Female Rocker Lug 245
 AH7H - Swivel Female Handle to Swivel Female Handle 245

ELBOWS — AH SERIES, STORZ

STYLE SKE-R AH1 - Storz to Swivel Female Rocker Lug 246
 STYLE SKE-L AH1H - Storz to Swivel Female Handle 246
 AH4 - Storz to Storz 246
 AH2 - Storz to Rigid Male Rocker Lug 246
 STYLE SKE-R AH3 - Storz to Swivel Female Rocker Lug 247
 STYLE SKE-L AH3H - Storz to Swivel Female Handle 247

DETENT ELBOWS — AJ SERIES

AJ3 - Storz to Swivel Female Handle 248
 AJ1 - Storz to Swivel Female Handle 248
 AJ7 - Swivel Female Rocker Lug to Swivel Female Handle 248
 AJ7H - Swivel Female Handle to Swivel Female Handle 248
 AJ8 - Rigid Male Rocker Lug to Swivel Female Handle 249

BLIND CAPS & PLUGS — AO SERIES

A01 - Blind Cap Rocker Lug with Lanyard 249
 A01H - Blind Cap Handle with Lanyard 249
 A05 - Blind Plug with Lanyard 250
 A01-PA - Blind Cap Rocker Lug with 1/4" NPTF 250
 A01 - Adapter with Blind Cap 250
 A01S - Storz Blind Cap with Lanyard 250
 A01S - Storz with 1/4" NPTF 250

HYDRANT ADAPTERS — AO SERIES

A04 - Hydrant Adapter 251

HOSE THREAD ADAPTERS

H-A - 2.5" Hose Reducing Adapter 252
 J - Break and Extend Adapter 252

FLANGE ADAPTERS

AA9 - Storz Outlet 253
 AA9 - Male Outlet 253
 AA9 - Female Outlet 253

TOOLS

Spanners, Wrenches, Brackets 254-255
 RES-Q-RENCH® - Spanner 255

TECHNICAL DATA

REPAIR KITS 256-257
THREAD INFORMATION 258
CHANGING STORZ COUPLING LOCK-OUT 259
FLANGE SPECIFICATIONS 259
SMOOTHBORE DISCHARGE AND REACTION 260
FLOW INFORMATION 261
HYDRANT DISCHARGE 262
METRIC CONVERSIONS 263
MONITOR PRESSURE LOSS 264
BIV BALL INTAKE VALVE PRESSURE LOSS 264
VUM VALVE UNDER MONITOR PRESSURE LOSS 264

INDEX

ITEM NUMBER INDEX 265-271

CONTACT INFORMATION

Address: Task Force Tips LLC
3701 Innovation Way
Valparaiso, IN 46383 USA

Email: Customer Technical Service . . . service@tft.com
North America Sales sales@tft.com
International Sales. intsales@tft.com

Phone: USA & Canada 800-348-2686 or 219-462-6161
International. +1-219-462-6161

Web: Tft.com

Social: Search Task Force Tips     

CATALOG ITEM PRICING

TFT has created a separate price list for items found in this catalog. To download the most current price list or to find a PDF version of this document, go to tft.com/Product-Catalog. In addition, products on TFT's website include the current list price.



THREAD ORDERING INFORMATION

All products will be delivered with National Hose threads (NH) unless otherwise specified at the time of order.

National Hose threads (NH) per NFPA 1963. British Standard Pipe threads (BSP) with 55 degree Whitworth form are produced to ISO 228. Straight Iron Pipe threads (NPSH, IPT or SIPT) are produced to ANSI/ASME B1.20.7-1991. Tapered Iron Pipe threads (NPT, TPT or TIPT) are produced to ANSI/ASME B1.20.1-1983 (R1992). Consult the factory for further information.

Thread Code Notation: *There is no additional charge for special threads.* We maintain a library of hundreds of special thread specifications. Specifications from individual cities with functionally identical threads are grouped together in thread codes. TFT's code or specifications for threads will be needed at time of order. Please include TPI (threads per inch) and ODM (outside diameter). Also provide name of city to assure special threads match your specification. Some codes may extend normal order delivery times.

Task Force Tips products are available with many optional inlets. Optional inlet coupling styles are normally kept in stock. Consult factory for your specific requirements. For additional information on thread specifications and ordering, see thread information in the Technical Data section in the back of the catalog.

RETURN POLICY

Seller will not consider requests for credit returns made more than 180 days after the date of shipment. Shipments received in a damaged condition must be reported to us immediately upon receipt. No credit returns shall be accepted by Seller unless accompanied by a Return Goods Authorization (RGA) issued by Seller. Seller shall have no obligation to issue an RGA. Seller reserves the sole right to determine the eligibility of items for credit.

Items which are received in non-returnable condition for credit will be handled in one of the following ways:

- Destroyed with Purchaser's approval
- Returned to Purchaser at its expense
- Refurbished and returned to Purchaser at its expense with its approval
- Partial credit issued to Purchaser at the sole discretion of Seller

Seller will have no responsibility or liability in connection with items returned for credit without an RGA. Credit returns arriving without a valid RGA may be refused. All items returned must be properly packed and identified in accordance with the RGA.

All costs and expenses associated with credit returns shall be borne by Purchaser. Return costs and expenses may include labor, material, administrative, and any other costs and expenses arising out of the return. A minimum 20% restocking charge will be assessed on all credit returns.

Any credit will be subject to and conditioned the receipt of the returned items in new, unused, undamaged and salable condition. All promos that no longer qualify will be reversed. Individual components purchased as part of a "package" may not be returned.

Seller may accept a credit return and waive the restocking or cancellation fee in the event Seller determines that the return was due to an error that was the fault of Seller. Returns for repair do not require an RGA, but should be registered using the TFT website at tft.com/support. The website includes Seller's repair terms and conditions and allows a return repair packing list and address label to be printed and progress of the repair to be tracked. If use of the website is not possible, information concerning repairs can be obtained by calling the Seller's Customer Care Team at 219-462-6161 or writing to Seller at Task Force Tips, 3701 Innovation Way, Valparaiso, IN 46383, USA. Repair returns may be subject to a repair estimate fee that will be waived if the repair is made.

All credit and repair returns are at Purchaser's or its customer's sole risk and expense, and any shipping charges on returned items shall be paid by Purchaser or its customer. No collect shipments will be accepted unless authorized in writing in advance by Seller.

STATEMENT OF WARRANTY AND REPAIR

Task Force Tips LLC, 3701 Innovation Way, Valparaiso, Indiana 46383-9327 USA ("TFT") warrants to the original purchaser of its nozzles and other equipment ("equipment"), and to anyone to whom it is transferred, that the equipment shall be free from defects in material and workmanship. The warranty period on most products is five (5) years from the date of manufacture. Select items have either a one (1), three (3) or ten (10) year warranty. See TFT operations manual for details. TFT's obligation under this warranty is specifically limited to replacing or repairing the equipment (or its parts) which are shown by TFT's examination to be in a defective condition attributable to TFT.

To qualify for this limited warranty, the claimant must return the equipment to TFT, at 3701 Innovation Way, Valparaiso, Indiana 46383-9327 USA, within a reasonable time after discovery of the defect. TFT will examine the equipment. If TFT determines that there is a defect attributable to it, TFT will correct the problem within a reasonable time. If the equipment is covered by this limited warranty, TFT will assume the expenses of repair. If any defect attributable to TFT under this limited warranty cannot be reasonably cured by repair or replacement, TFT may elect to refund the purchase price of the equipment, less reasonable depreciation, in complete discharge of its obligations under this limited warranty. If TFT makes this election, claimant shall return the equipment to TFT free and clear of any liens and encumbrances.

This is a limited warranty. The original purchaser of the equipment, any person to whom it is transferred, and any person who is an intended or unintended beneficiary of the equipment, shall not be entitled to recover from TFT any consequential or incidental damages for injury to person and/or property resulting from any defective equipment manufactured or assembled by TFT. It is agreed and understood that the price stated for the equipment is in part consideration for limiting TFT's liability. Some states or countries do not allow the exclusion or limitation of incidental or consequential damages, so the above may not apply to you. TFT shall have no obligation under this limited warranty if the equipment is, or has been, misused or neglected (including failure to provide reasonable maintenance) or if there have been accidents to the equipment or if it has been repaired or altered by someone else.

THIS IS A LIMITED EXPRESS WARRANTY ONLY. TFT EXPRESSLY DISCLAIMS WITH RESPECT TO THE EQUIPMENT ALL IMPLIED WARRANTIES OF MERCHANTABILITY AND ALL IMPLIED WARRANTIES OF FITNESS FOR A PARTICULAR PURPOSE. THERE IS NO WARRANTY OF ANY NATURE MADE BY TFT BEYOND THAT STATED IN THE DOCUMENT. This limited warranty gives you specific legal rights, and you may also have other rights which vary from state to state.

DECON/pak™
Portable Decontamination System

The DECON/pak Portable Decontamination System is a self-contained agent proportioning and rinse application system developed specifically for gross decontamination of firefighting personnel and equipment.

Injecting a variety of approved personal protective clothing gross decontamination agents from 0.1% to 0.5%, the rugged green polyethylene 2.5 gal. (9.5 l) concentrate tank is supplied by a pressurized 1 or 1 ½" (25 or 38 mm) hoseline. The unit includes an integrated twist shut-off valve, selective injection metering knob, and is easily disassembled for cleaning. The pressure vacuum seal on the lid and inlet debris screen assure that the approved decontamination agent chosen can be stored ready for immediate use. A detachable fan spray nozzle is attached to a 12' (3.7 m) discharge hose for ease of use during agent application or rinsing operations. Flow rate 12 gpm @ 100 psi (45 l/min @ 7 bar).

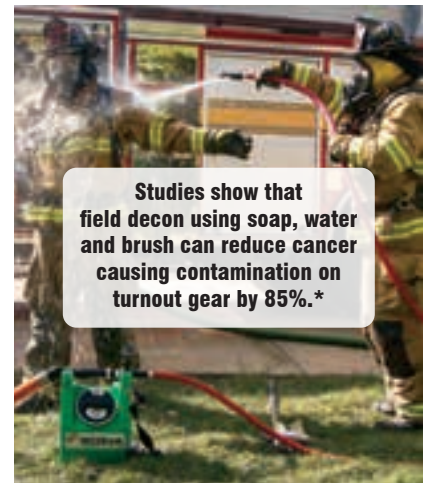
UM12-D

SAMPLE PART NUMBER

- Green tank with Decon-specific graphics.
- Operational Instructions molded into the side of the Tank.
- Single 0.1 to 0.5% proportioning selection and rinse option.**
- DECON/pak can be used with detergents, and disinfectants
- Includes fan shaped nozzle that is fixed to the hose. Fan nozzle can be removed if necessary by loosening a button head screw.



MODEL	INLET	FLOW	ON TANK INSTRUCTIONS LANGUAGE	INCLUDES
UM12-D	1.0" (25 mm) NH Swivel Inlet	12 gpm @ 100 psi	English	Detachable Fan Nozzle and 12' (3.7 m) Discharge Hose
UM12-NF-D	1.5" (38 mm) NH Angled Swivel Inlet	12 gpm @ 100 psi	English	Detachable Fan Nozzle and 12' (3.7 m) Discharge Hose
UM45-BD-D	1.0" (25 mm) BSPF Swivel	45 l/min @ 7 bar	English	Detachable Fan Nozzle and 12' (3.7 m) Discharge Hose
UM45-BIC-D	2.5" (64 mm) BICM	45 l/min @ 7 bar	English	Detachable Fan Nozzle and 12' (3.7 m) Discharge Hose
UM45-SH-D	52 mm (2") Storz	45 l/min @ 7 bar	English	Detachable Fan Nozzle and 12' (3.7 m) Discharge Hose
UMG45-BD-D	1.0" (25 mm) BSPF	45 l/min @ 7 bar	German	Detachable Fan Nozzle and 12' (3.7 m) Discharge Hose
UMP45-SH-D	52 mm (2") Storz	45 l/min @ 7 bar	Portuguese	Detachable Fan Nozzle and 12' (3.7 m) Discharge Hose
UMS45-BD-D	1.0" (25 mm) BSPF	45 l/min @ 7 bar	Spanish	Detachable Fan Nozzle and 12' (3.7 m) Discharge Hose
Individual Components				
U-FN-TG	Detachable Fan Spray Nozzle			
U-HS12-D	Discharge Hose 12 ft (3.7 m)			
U-B-D	Storage Bracket			



Studies show that field decon using soap, water and brush can reduce cancer causing contamination on turnout gear by 85%.*

* Source: Journal of Occupational and Environmental Hygiene DOI: 10.1080/15459624.2017.1334904
 ** Contact your turnout gear manufacturer for cleaning agent recommendation for your specific gear.

CREWPROTECT™

CrewProtect is a unique, self-contained and comprehensive air filtration system for enclosed apparatus cabs and ambulance bodies that protects first responders from particulate soot, Volatile Organic Compounds (VOCs), and aerosols carrying bacteria and viruses.

CrewProtect can be easily installed into new or existing apparatus. Runs on standard 12VDC or 24VDC truck power.

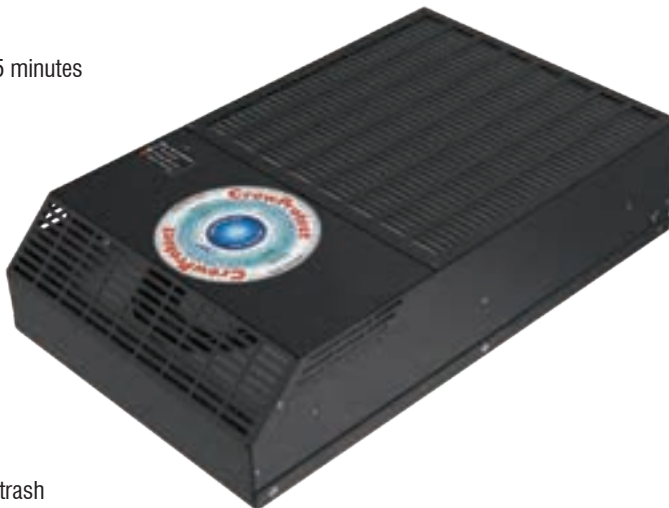
The system draws less than 2.5A in with 12Vdc or under 1A WITH 24vDC and includes mounting brackets.

Most importantly, CrewProtect is safe. Competitive products don't tackle all major threats and may have the unintended consequence of adding more harmful contaminants into the air.

3 year manufacturing defect warranty.

CC-30*

- Filters the air in the average cab or ambulance body every 3.5 minutes
- Compact, Quiet, & Automatic
- Can be installed horizontally or vertically in any interior cab location or in the body of any ambulance.
- Connects directly to 12 volt or 24 volt systems
- Automatically runs when the truck is operating.
- Operates at 100 CFM and only 60.2 decibels (below the NFPA maximum of 80 decibels)
- Fitted with Easy-to-Change, Long Life Filters
- Filter Life Indicator (Color LED Light, RFID Technology) visual alert when the filter needs to be replaced
- Filter is designed to completely neutralize harmful chemical contaminants, making it safe to simply discard in the normal trash



MODEL	DESCRIPTION	AIR FLOW	NOISE LEVEL	FILTER	FILTER LIFE	VOLTAGE	MATERIAL	DIMENSIONS
CC-300	CrewProtect 12 VDC US Includes initial filter.	100 CFM 3.5 Minutes to Cycle Air	60 dB.	Single Filter, Multi-threat (Particulates, VOCs, and Aerosols Carrying Bacteria and Viruses)	6 Months or 1,800 Hours Active Usage	12VDC @ 2.5A (~50W max)	Charcoal Grey Powder Coated Steel	4.5 x 20 x 12" = ~0.65 cu.ft.
CC-301	CrewProtect 24VDC International Includes initial filter.	2832 cubic l/min (100 CFM) 3.5 Minutes to Cycle Air				24VDC @ 1A (~50W max)		115 x 508 x 305 mm = ~ 0.18 cu. m

REPLACEMENT FILTER / MEDIA US AND INTERNATIONAL	DESCRIPTION
CC-305	Replace media when Filter Life Indicator LED displays RED. Six Months or 1,800 Hours Active Usage

STATIONPROTECT™

After returning from a fire, PPE and equipment can contain harmful particulates and continue to off-gas for extended periods.

StationProtect cleans the station air and protects crews from cancer causing soot, VOCs and also improves air quality by removing aerosols carrying viruses, bacteria and mold. Useful in gear storage and cleaning areas, sleeping quarters and public spaces.

Key Features

- Cleans the air in gear rooms, sleeping quarters, and living spaces up to 2400 ft² (731 m²)[¶] with an airflow up to 655 cfm
- Quickly and effectively removes particulates, VOCs, molds, smoke, and aerosols carrying viruses and bacteria

Cutting Edge Filtration Technology

- No hassle filtration modules containing 40 lbs (18 kg) of patented[§] filtration media (replaced annually)
- True HEPA filtration for harmful sub-micron particulate matter
- Equipped with a PuraWard[®] filter that reduces over 99% of many viruses, bacteria, and mold using copper and silver[†]

Easy Operation, Install, and Use

- Portable on casters for placement anywhere in the facility
- Low maintenance, easy to use with a single knob, and works on standard electrical outlets
- Durable brushed aluminum exterior
- 2 year manufacturing defect warranty



MODEL	DESCRIPTION	EACH / BOX	AIR FLOW	NOISE LEVEL	VOLTAGE	WEIGHT	MATERIAL	DIMENSIONS
CC-600	StationProtect, USA Includes filter kit, for a limited time	1	655 CFM 1112 CMH	63 dB(A) at max speed	110V US	220 lb (100 kg)	Aluminum	22" L x 30" W x 58" H (56 cm L x 76 cm W x 147 cm H)
CC-601	StationProtect, International Includes filter kit, for a limited time	1	655 CFM 1112 CMH	63 dB(A) at max speed	220V EU	220 lb (100 kg)	Aluminum	22" L x 30" W x 58" H (56 cm L x 76 cm W x 147 cm H)
CC-605	Annual StationProtect Filter Replacement Kit (1 per unit)	1	Annual filter pack includes 4 replacement (quarterly) filters and annual filter media replacement					

¶ MRIGlobal Project No. 311686.01.001 ¶ With 2 ACH and 8ft ceilings
Copies of the full test reports are available upon request. † Filter protected by an EPA-registered antimicrobial additive. § Patent number US 9,370,763 B2

SHO-FLOW® APP

TFT's enhanced dual featured SHO-FLOW® app works either independently with established fire flow formulas, or in conjunction with TFT's SHO-FLOW Bluetooth® Flow meter, determining actual flow rates for fire hose lines and nozzles, in addition to calculating true Pump Discharge Pressures (PDP), Nozzle Reaction, Hose Friction, and allowing for real time NFPA 1962 flow testing.

When used in its stand alone water flow calculating mode, SHO-FLOW's app allows both Android or Apple users to calculate flow rate, nozzle reaction, hose friction loss, or to target fire flow rates by using the application's built-in time tested formulas.

The revolutionary app, designed to deliver information in either metric or USA units, allows custom naming of the team's SHO-FLOW meter device, as well as enabling an unlimited amount of first responders to see real

time flow rate, total water delivered, and device friction loss from up to a quarter mile away.

TFT's SHO-FLOW App is available in SEVEN languages: English, Spanish, German, Japanese, Chinese, French, and Portuguese.

The dynamic app also includes instant links to water flow education videos and recommendations for target fire flows when using water or foam.

The new and improved free application can be downloaded on Google Play or at the App Store. For those who wish additional information on how they can eliminate guessing and let you truly KNOW YOUR FLOW and elevate their operations to the highest level of performance on any fireground, please visit tft.com.



SHO-FLOW APP

- Alone it's a feature rich, full function flow calculator – the most comprehensive in the Fire Service

When integrated with TFT's SHO-FLOW Bluetooth Flow Meter ...

- Basic formula calculations become pinpoint accurate information used to better train firefighters, standardize operational flows, and simplify incident reporting
- Accurately Create PDPs and SOPs Across All Flow Operations
- Real Time View of Flow Rates and Totals



SHO-FLOW FLOW METER

- Quickly and accurately determine the flow rate in a hose line, portable monitor, or deck gun
- No batteries or wires – rugged, compact and affordable
- Available Flows:
1.5" – 25-125 gpm (100-500 l/min) and 50-300 gpm (200-1150 l/min)
2.5" – 100-500 gpm (400-2000 l/min) and 500-1250 gpm (2000-5000 l/min)

When integrated with TFT's SHO-FLOW App ...

- Totalizes and displays accurate flow rates in GPM, LPM, GPS, or LPS in real time

**FREE APP DOWNLOAD
SEARCH SHO-FLOW**




*The Know Your Flow Superior Combo
Sho-Flow Meter and Show Flow App
Superior When Combined,
Exceptional On Their Own!*

SHO-FLOW® 1 AND SHO-FLOW® 2

Bluetooth® Flow Meters

The SHO-FLOW BLUETOOTH is a water flow meter that is designed for installation in between any two lengths of hose. Any firefighting, training, or testing operation that utilizes hose lines or nozzles is an application for a SHO-FLOW BLUETOOTH flow meter. The SHO-FLOW BLUETOOTH has no wires to connect and no batteries are needed.

The SHO-FLOW BLUETOOTH App is available to download for free through Apple or Android app stores. The app displays the flow in user-specifiable units and includes calibration, totalizer and diagnostic tools.



EFF-NFNF125
EFF-NFNF300

- Built in stream straightener
- Will pass debris up to 1" (25 mm) in diameter
- Choose units you want displayed from your smart device; gpm, gps, l/min or l/sec



EFJ-NJNJ500
EFJ-NJNJ1250

- Built in stream straightener
- Will pass debris up to 1.7" (43 mm) in diameter
- Choose units you want displayed from your smart device; gpm, gps, l/min or l/sec

MODEL	THREADS INLET X OUTLET	FLOW RANGE	LENGTH	WEIGHT
EFF-NFNF125	1.5" NH (38 mm) Female x 1.5" NH (38 mm) Male	25 - 125 gpm (100 - 500 l/min)	6.10" (15.5 cm)	2.6 lb (1.2 kg)
EFF-NFNF300	1.5" NH (38 mm) Female x 1.5" NH (38 mm) Male	50 - 300 gpm (200 - 1150 l/min)	6.10" (15.5 cm)	2.6 lb (1.2 kg)
EFJ-NJNJ500	2.5" NH (64 mm) Female x 2.5" NH (64 mm) Male	100 - 500 gpm (400 - 2000 l/min)	7.40" (18.8 cm)	4.5 lb (2.0 kg)
EFJ-NJNJ1250	2.5" NH (64 mm) Female x 2.5" NH (64 mm) Male	500 - 1250 gpm (2000 - 5000 l/min)	7.40" (18.8 cm)	4.5 lb (2.0 kg)

NPSH or BSP threads are standard options. Call customer service for special threads.

LINE PRESSURE GAUGES

1.5" and 2.5" (38 mm and 64 mm)

Featuring 0-200 psi (0-14 bar) or 0-300 psi (0-21 bar) gauge designed for use on standpipes, truck outlets, on the ground, or where having a pressure reading is advantageous. System includes a protective ring and replaceable lens cover for the pressure gauge. Swivel inlet coupling and male outlet thread is standard.



F15G200

F15G300

- Gauge has protective ring and lens cover to resist damage
- Swivel inlet coupling



J25G200F

J25G300F

- Gauge has protective ring and lens cover to resist damage
- Swivel inlet coupling



J25G200S

J25G300S

- Gauge has protective ring and lens cover to resist damage
- Swivel inlet coupling
- +/- 20° pivoting outlet

MODEL	THREADS INLET AND OUTLET	IN-LINE PITOT TYPE GAUGE	LENGTH	WEIGHT
F15G200	1.5" NH (38 mm) Female x 1.5" NH (38 mm) Male	Liquid-filled 0-200 psi (0-14 bar) gauge	4.28" (10.9 cm)	1.8 lb (0.8 kg)
F15G300	1.5" NH (38 mm) Female x 1.5" NH (38 mm) Male	Liquid-filled 0-300 psi (0-21 bar) gauge	4.28" (10.9 cm)	1.8 lb (0.8 kg)
J25G200F	2.5" NH (64 mm) Female x 2.5" NH (64 mm) Male	Liquid-filled 0-200 psi (0-14 bar) gauge	6.40" (16.3 cm)	3.7 lb (1.7 kg)
J25G300F	2.5" NH (64 mm) Female x 2.5" NH (64 mm) Male	Liquid-filled 0-300 psi (0-21 bar) gauge	6.40" (16.3 cm)	3.7 lb (1.7 kg)
J25G200S	2.5" NH (64 mm) Female x 2.5" NH (64 mm) Male Pivot	Liquid-filled 0-200 psi (0-14 bar) gauge	8.00" (20.3 cm)	4.4 lb (2.0 kg)
J25G300S	2.5" NH (64 mm) Female x 2.5" NH (64 mm) Male Pivot	Liquid-filled 0-300 psi (0-21 bar) gauge	8.00" (20.3 cm)	4.4 lb (2.0 kg)

BALL VALVE SERIES

1.0" (25 mm) and 1.5" (38 mm)

Task Force Tips Ball Valves are lightweight, rugged valves that are designed for reliability. The valves give tip only nozzles a positive shut-off, or can be used for break-and-extend operations

- Available in 1" (25 mm) and 1.5" (38 mm)
- Waterways sized for optimal flow

- Optional NFPA colored handles and pistol grips, including a folding pistol grip
- All lightweight materials, hardcoat anodized aluminum
- Stainless steel shut-off ball
- Quick change rear valve seat



MODEL	THREADS		INLET COUPLING	PISTOL GRIP	WATERWAY SIZE	LENGTH	WEIGHT
	INLET FEMALE	OUTLET MALE					
D75D	1.0" NH (25 mm)	1.0" NH (25 mm)	Rocker Lug Swivel	No	3/4" (19 mm)	3.75" (9.5 cm)	1.0 lb (0.5 kg)
D75DP	1.0" NH (25 mm)	1.0" NH (25 mm)	Rocker Lug Swivel	Yes	3/4" (19 mm)	3.75" (9.5 cm)	1.3 lb (0.6 kg)
F100F	1.5" NH (38 mm)	1.5" NH (38 mm)	Rocker Lug Swivel	No	1.0" (25 mm)	3.75" (9.5 cm)	1.5 lb (0.7 kg)
F100FP	1.5" NH (38 mm)	1.5" NH (38 mm)	Rocker Lug Swivel	Yes	1.0" (25 mm)	3.75" (9.5 cm)	1.7 lb (0.8 kg)

Color Bail Covers and Pistol Grips are available in NFPA colors. Folding Pistol Grip Kits with NFPA color inserts are available. For more information refer to the Handline Nozzle section of the catalog..

1.0" (25 mm) & 1.5" (38 mm) BALL VALVE SERIES FOLDING PISTOL GRIP

The full description of folding pistol grips can be found in the Folding Pistol Grip section.

MODEL	WHEN ORDERED WITH A NEW NOZZLE	LENGTH	WEIGHT
HM792-DKIT	D75DP- SERIES	8.50" (21.6 cm)	1.7 lb (0.8 kg)
HM792-FKIT	F100FP- SERIES	8.50" (21.6 cm)	1.7 lb (0.8 kg)

BALL VALVE SERIES

1.5" (38 mm)

The Ball Valves are lightweight, rugged valves that are designed for reliability. The valves give tip only nozzles a positive shut-off, or can be used for break-and-extend operations.

- 1.5" (38 mm) inlet and outlet
- Rocker lug swivel inlet
- Waterways sized for optimal flow
- All lightweight materials, hardcoat anodized aluminum



F140F

- 1.375" (35 mm) waterway
- Quick change rear valve seat
- Stainless steel shut-off ball
- Compact tab style handle available

F140FP

- Same as above with Pistol Grip



H-VO

- 1.375" (35 mm) waterway
- Six detent flow positions
- Polymer shut-off ball

H-VOI

- Accepts F140SBI smoothbore inserts found in the Handheld Nozzles section.
- Pistol grip

MODEL	THREADS		INLET COUPLING	PISTOL GRIP	WATERWAY SIZE	LENGTH	WEIGHT
	INLET FEMALE	OUTLET MALE					
F140F	1.5" NH (38 mm)	1.5" NH (38 mm)	Rocker Lug Swivel	No	1.375" (35 mm)	4.00" (10.2 cm)	2.2 lb (1.0 kg)
F140FP	1.5" NH (38 mm)	1.5" NH (38 mm)	Rocker Lug Swivel	Yes	1.375" (35 mm)	4.00" (10.2 cm)	2.4 lb (1.1 kg)
H-VO & H-VOI includes six detent flow positions and accepts F140SBI smoothbore insert kits found on page 22.							
H-VO	1.5" NH (38 mm)	1.5" NH (38 mm)	Rocker Lug Swivel	No	1.375" (35 mm)	5.25" (13.3 cm)	2.6 lb (1.2 kg)
H-VOI	1.5" NH (38 mm)	1.5" NH (38 mm)	Rocker Lug Swivel	Yes	1.375" (35 mm)	5.25" (13.3 cm)	2.8 lb (1.3 kg)

Color Bail Covers and Pistol Grips are available in NFPA colors. Folding Pistol Grip Kits with NFPA color inserts are available. For more information refer to the Handline Nozzle section of the catalog..

1.5" (38 mm) BALL VALVE SERIES FOLDING PISTOL GRIP

The full description of folding pistol grips can be found in the Folding Pistol Grip section.

MODEL	WHEN ORDERED WITH A NEW NOZZLE	LENGTH	WEIGHT
HM792-JKIT	F140FP - SERIES	8.50" (21.6 cm)	1.7 lb (0.8 kg)
HM792-HKIT	H-VOI - SERIES	8.50" (21.6 cm)	1.7 lb (0.8 kg)

BALL VALVE SERIES

2.5" (64 mm)

The Ball Valves are lightweight, rugged valves that are designed for reliability. The valves give tip only nozzles a positive shut-off, or can be used for break-and-extend operations.

- Available in 2.5" (64 mm) x 1.5" (38 mm) and 2.5" (64 mm) x 2.5" (64 mm) versions
- 1.375" (35 mm) waterway
- Optional NFPA colored handles and pistol grips, including a folding pistol grip
- All lightweight materials, hardcoat anodized aluminum
- Quick change rear valve seat
- Stainless steel shut-off ball



J140F

- 2.5" (64 mm) inlet x 1.5" (38 mm) outlet
- 1.375" (35 mm) waterway
- Rocker lug swivel inlet
- Quick change rear valve seat
- Stainless steel shut-off ball

J140FP

- Same as above with Pistol Grip



J140J

- 2.5" (64 mm) inlet and outlet
- 1.375" (35 mm) waterway
- Rocker lug swivel inlet
- Quick change rear valve seat
- Stainless steel shut-off ball

J140JP

- Same as above with Pistol Grip

MODEL	THREADS		INLET COUPLING	PISTOL GRIP	WATERWAY SIZE	LENGTH	WEIGHT
	INLET FEMALE	OUTLET MALE					
J140F	2.5" NH (64 mm)	1.5" NH (38 mm)	Rocker Lug Swivel	No	1.375" (35 mm)	5.00" (12.7 cm)	2.7 lb (1.2 kg)
J140FP	2.5" NH (64 mm)	1.5" NH (38 mm)	Rocker Lug Swivel	Yes	1.375" (35 mm)	5.00" (12.7 cm)	2.9 lb (1.3 kg)
J140J	2.5" NH (64 mm)	2.5" NH (64 mm)	Rocker Lug Swivel	No	1.375" (35 mm)	7.18" (18.2 cm)	3.4 lb (1.5 kg)
J140JP	2.5" NH (64 mm)	2.5" NH (64 mm)	Rocker Lug Swivel	Yes	1.375" (35 mm)	7.18" (18.2 cm)	3.7 lb (1.7 kg)

Color Bail Covers and Pistol Grips are available in NFPA colors. Folding Pistol Grip Kits with NFPA color inserts are available. For more information refer to the Handline Nozzle section of the catalog..

2.5" (64 mm) BALL VALVE SERIES FOLDING PISTOL GRIP

The full description of folding pistol grips can be found in the Folding Pistol Grip section.

MODEL	WHEN ORDERED WITH A NEW NOZZLE	LENGTH	WEIGHT
HM792-JKIT	J140FP and J140JP - SERIES	8.50" (21.6 cm)	1.7 lb (0.8 kg)

BALL VALVE SERIES

2.5" (64 mm)

The Ball Valves are lightweight, rugged valves that are designed for reliability. The valves give tip only nozzles a positive shut-off, can be used for break-and-extend operations, or where ever a high flow ball valve is desired.

- Available in 2.5" (64 mm) versions
- Waterways sized for optimal flow
- Optional NFPA colored pistol grips, including a folding pistol grip
- All lightweight materials, hardcoat anodized aluminum
- Six detent flow positions
- Polymer shut-off ball



H-2VO

- 2.5" (64 mm) inlet and 1.5" (38 mm) outlet
- 1.375" (35 mm) waterway
- Rocker lug swivel inlet
- Six detent flow positions
- Polymer shut-off ball
- Accepts F140SBI smoothbore inserts page 22

H-2VOI

- Same as above with Pistol Grip



H-3VONJ-NJ

- 2.5" (64 mm) inlet and outlet
- 2" (51 mm) waterway
- Rocker lug swivel inlet
- Six detent flow positions
- Polymer shut-off ball
- Use as a monitor nozzle shut-off

H-3VOINJ-NJ

- Same as above with Pistol Grip

H-2VO and H-2VOI includes six detent flow positions and accepts F140SBI. Smoothbore insert kits found on page 22.

MODEL	THREADS		INLET COUPLING	PISTOL GRIP	WATERWAY SIZE	LENGTH	WEIGHT
	INLET FEMALE	OUTLET MALE					
H-2VO	2.5" NH (64 mm)	1.5" NH (38 mm)	Rocker Lug Swivel	No	1.375" (35 mm)	5.25" (13.3 cm)	2.6 lb (1.2 kg)
H-2VOI	2.5" NH (64 mm)	1.5" NH (38 mm)	Rocker Lug Swivel	Yes	1.375" (35 mm)	5.25" (13.3 cm)	2.8 lb (1.3 kg)
H-3VONJ-NJ and H-3VOINJ-NJ includes six detent flow positions.							
H-3VONJ-NJ	2.5" NH (64 mm)	2.5" NH (64 mm)	Rocker Lug Swivel	No	2.0" (51 mm)	7.18" (18.2 cm)	5.7 lb (2.6 kg)
H-3VOINJ-NJ	2.5" NH (64 mm)	2.5" NH (64 mm)	Rocker Lug Swivel	Yes	2.0" (51 mm)	7.18" (18.2 cm)	5.9 lb (2.7 kg)

Color Bail Covers and Pistol Grips are available in NFPA colors. Folding Pistol Grip Kits with NFPA color inserts are available. For more information refer to the Handline Nozzle section of the catalog. Color Bail Covers not available on H-3VO Series Ball Valves.

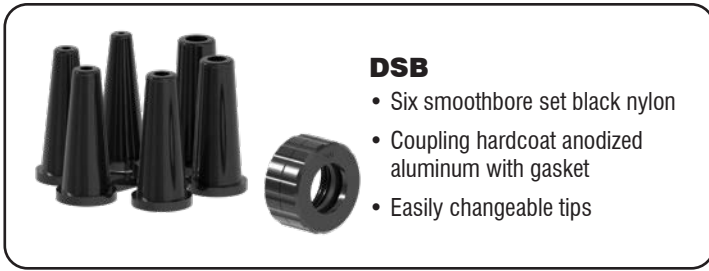
2.5" (64 mm) BALL VALVE SERIES FOLDING PISTOL GRIP

The full description of folding pistol grips can be found in the Folding Pistol Grip section.

MODEL	WHEN ORDERED WITH A NEW NOZZLE	LENGTH	WEIGHT
HM792-HKIT	H-2VOI and H-3VOINJ-NJ - SERIES	8.50" (21.6 cm)	1.7 lb (0.8 kg)

SMOOTHBORE TIPS

1.0" (25 mm) and 1.5" (38 mm)




MODEL	INLET FEMALE	ORIFICE	LENGTH	WEIGHT
DSB	1.0" NH (25 mm)	1/8", 3/16", 1/4", 5/16", 3/8", & 7/16" (3, 5, 6, 8, 10 & 11 mm)	3.37" (8.6 cm)	0.4 lb (0.2 kg)
DSS5-ND	1.0" NH (25 mm)	1/2" (13 mm)	2.80" (7.1 cm)	0.2 lb (0.1 kg)
FSS5	1.5" NH (38 mm)	1/2" (13 mm)	4.00" (10.2 cm)	0.4 lb (0.2 kg)
FSS6	1.5" NH (38 mm)	5/8" (16 mm)	4.00" (10.2 cm)	0.6 lb (0.3 kg)
FSS7	1.5" NH (38 mm)	3/4" (19 mm)	5.00" (12.7 cm)	0.6 lb (0.3 kg)
FSS8	1.5" NH (38 mm)	7/8" (22 mm)	5.00" (12.7 cm)	0.6 lb (0.3 kg)
FSS12	1.5" NH (38 mm)	15/16" (24 mm)	5.00" (12.7 cm)	0.5 lb (0.2 kg)
FSS9	1.5" NH (38 mm)	1.0" (25 mm)	5.00" (12.7 cm)	0.6 lb (0.3 kg)
FSS3	1.5" NH (38 mm)	1-1/16" (27 mm)	5.00" (12.7 cm)	0.7 lb (0.3 kg)
FSS10	1.5" NH (38 mm)	1-1/8" (29 mm)	5.00" (12.7 cm)	0.6 lb (0.3 kg)
FSS4	1.5" NH (38 mm)	1-3/16" (30 mm)	5.00" (12.7 cm)	0.6 lb (0.3 kg)
FSS11	1.5" NH (38 mm)	1-1/4" (32 mm)	5.00" (12.7 cm)	0.6 lb (0.3 kg)
FSS15075	1.5" NH (38 mm)	150 GPM @ 75 PSI	5.0" (12.7 cm)	0.6 lb (0.3 kg)

All smoothbore tips are made of lightweight materials and are hardcoat anodized aluminum. Flow charts in US and Metric units are laser engraved on most units.

SMOOTHBORE TIPS

1.5" (38 mm)

All smoothbore tips are made of lightweight materials and are hardcoat anodized aluminum. Flow charts in US and Metric units are laser engraved on most units.



FF151 through FF157

- With smooth inside taper
- 1.5" (38 mm) inlet thread is standard



MODEL	INLET FEMALE	ORIFICE	LENGTH	WEIGHT
FF151	1.5" NH (38 mm)	1/2" (13 mm)	3.00" (7.6 cm)	0.22 lb (0.10 kg)
FF152	1.5" NH (38 mm)	5/8" (16 mm)	3.00" (7.6 cm)	0.22 lb (0.10 kg)
FF157	1.5" NH (38 mm)	7/8" (22 mm)	3.00" (7.6 cm)	0.22 lb (0.10 kg)
FF153	1.5" NH (38 mm)	15/16" (24 mm)	2.75" (7.0 cm)	0.20 lb (0.09 kg)
FF154	1.5" NH (38 mm)	1" (25 mm)	2.50" (6.4 cm)	0.17 lb (0.08 kg)
FF155	1.5" NH (38 mm)	1-1/8" (29 mm)	2.50" (6.4 cm)	0.14 lb (0.06 kg)
FF156	1.5" NH (38 mm)	1-3/16" (30 mm)	2.50" (6.4 cm)	0.13 lb (0.06 kg)
FSNYSTACK	1.5" NH (38 mm)	15/16" and 1/2" (24 mm and 13 mm)	6.62" (16.9 cm)	0.8 lb (0.4 kg)
FS-2STACK	1.5" NH (38 mm)	1-1/8" - 1.0" (29 mm - 25 mm)	5.2" (13.2 cm)	0.8 lb (0.4 kg)
FS-22STACK	1.5" NH (38 mm)	1-1/4" - 1-1/8" (32 mm - 29 mm)	5.2" (13.2 cm)	0.8 lb (0.4 kg)
FS-3STACK	1.5" NH (38 mm)	1-1/4, 1-1/8", 1.0" (32 mm, 29 mm and 25 mm)	8.50" (21.6 cm)	1.3 lb (0.6 kg)

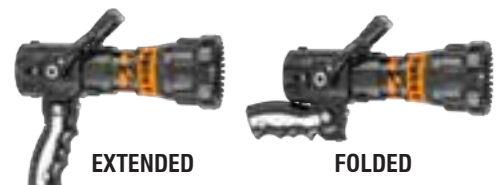
FOLDING PISTOL GRIPS

This space-saving, folding pistol grip will take up less space and allow the TFT nozzle to fit into tight crosslays and hose beds. It deploys quickly and easily, locking in place automatically. When ready to stow, simply press the lock release button and fold it back. Pistol grip is machined from aluminum alloy and hardcoat anodized for durability and corrosion resistance.



MODEL	FOLDING PISTOL GRIP KIT	LENGTH	WEIGHT
HM792-KIT	Order this kit for an in-service nozzle.	8.50" (21.6 cm)	1.7 lb (0.8 kg)

NFPA color inserts are available.



PLAYPIPES

- All lightweight materials
- Hardcoat anodized aluminum
- Rubber-coated, easy-grip handles designed to reduce fatigue
- Six detent flow positions
- Polymer Ball-type shut-off
- Use with FS-3STACK stack tip set for compliance with NFPA 1901 equipment requirements



H-2VPP

MODEL	Shut-off	THREADS		INLET COUPLING	LENGTH	WEIGHT
		INLET FEMALE	OUTLET MALE			
H-2VPP	Yes	2.5" NH (64 mm)	1.5" NH (38 mm)	Rocker Lug Swivel	9.37" (23.8 cm)	6.1 lb (2.8 kg)

SMOOTHBORE INSERTS

- All lightweight materials
 - Changeover from one size to another requires no tools
 - Inserts in valve ball
- FITS**
- H-VO
 - H-VOI
 - H-2VO
 - H-2VOI



F140SBI

MODEL	SMOOTHBORE INSERTS	LENGTH	WEIGHT
F140SBI	7/8", 15/16", 1", 1-1/8" (22 mm, 24 mm, 25 mm and 29 mm)	1.56" (4.0 cm)	0.2 lb (0.1 kg)

STREAM STRAIGHTENERS

- Straightens streams to provide greater reach with less turbulence.
- Hardcoat anodized aluminum and lightweight materials.



H-SS

H-SS-NJ

MODEL	TYPE	THREADS		INLET COUPLING	LENGTH	WEIGHT
		INLET FEMALE	OUTLET MALE			
H-SS	Stream Straightener	1.5" NH (38 mm)	1.5" NH (38 mm)	Knurled Rigid	1.87" (4.7 cm)	0.4 lb (0.2 kg)
H-SS-NJ	Stream Straightener	2.5" NH (64 mm)	2.5" NH (64 mm)	Rocker Lug Rigid	3.05" (7.7 cm)	1.1 lb (0.5 kg)



VORTEX® SERIES

VORTEX® NOZZLES 1.5" (38 mm) and 2.5" (64 mm)

The Vortex enhances the stream from a smoothbore nozzle. Six short vanes in the bore of the Vortex reduce turbulence in straight stream. Twisting the stream shaper from Stream to Vortex causes the vanes to pivot proportionally. This induces a gentle spin on the water to create a uniformly dispersed vortex stream pattern without reducing flow. Pivoting vanes have virtually no effect on the flow area and flow rate remains constant regardless of stream pattern.

SVFT

- 1.5" (38 mm) inlet and outlet
- Knurled rigid inlet
- No shut-off valve. Must be used with a ball valve or VIT with a shut-off valve

SVFV

- 1.5" (38 mm) inlet and outlet
- Rocker lug swivel inlet
- Six detent flow positions
- 1.375" (35 mm) waterway

SVFG

Same as above with pistol grip



SVFV-NJ

- 2.5" (64 mm) inlet and 1.5" (38 mm) outlet
- Rocker lug swivel inlet
- Six detent flow position
- 1.375" (35 mm) waterway

SVFG-NJ

Same as above with pistol grip

MODEL	THREADS		COUPLING	PISTOL GRIP	WATERWAY SIZE	LENGTH	WEIGHT
	INLET FEMALE	OUTLET MALE					
SVFT	1.5" NH (38 mm)	1.5" NH (38 mm)	Knurled Rigid	Tip Only	1.375" (35 mm)	4.55" (11.6 cm)	1.9 lb (0.9 kg)
SVFV	1.5" NH (38 mm)	1.5" NH (38 mm)	Rocker Lug Swivel	No	1.375" (35 mm)	8.42" (21.4 cm)	3.8 lb (1.7 kg)
SVFG	1.5" NH (38 mm)	1.5" NH (38 mm)	Rocker Lug Swivel	Yes	1.375" (35 mm)	8.42" (21.4 cm)	4.1 lb (1.9 kg)
SVFV-NJ	2.5" NH (64 mm)	1.5" NH (38 mm)	Rocker Lug Swivel	No	1.375" (35 mm)	8.57" (21.8 cm)	4.2 lb (1.9 kg)
SVFG-NJ	2.5" NH (64 mm)	1.5" NH (38 mm)	Rocker Lug Swivel	Yes	1.375" (35 mm)	8.57" (21.8 cm)	4.5 lb (2.0 kg)



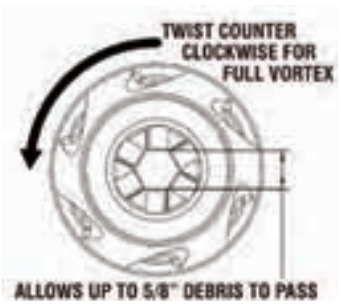
TWO STREAM PATTERNS

With a simple twist of the index ring, the VORTEX moves from a hard hitting straight stream to a uniformly dispersed pattern for protection, hydraulic ventilation or salvage/overhaul.



ANY SMOOTHBORE

The VORTEX can be paired with any smoothbore up to 1-1/4" (32 mm) to use on a 1.5" (38 mm) up to a 2.5" (64 mm) hose line. Once the tip is installed onto the VORTEX, you're ready to operate the nozzle.



NO FLOW REDUCTION

Create a dispersed pattern without gating your valve and reducing your fire flow. In addition, VORTEX vanes are less obtrusive than a typical stream straightener, resulting in virtually no friction loss.

1.5" (38 mm) AND 2.5" (64 mm) VORTEX NOZZLE SERIES FOLDING PISTOL GRIP

The full description of folding pistol grips can be found in the Folding Pistol Grip section.

MODEL	WHEN ORDERED WITH A NEW NOZZLE	LENGTH	WEIGHT
HM792-HKIT	VORTEX - SERIES	8.50" (21.6 cm)	1.7 lb (0.8 kg)

VIT™ BALL VALVE SERIES
VALVE INTEGRAL TIP 1.5" (38 mm)

The Valve Integral Tip (VIT) Series are a rugged valve with built-in smoothbore tip combination. The outlet thread protector can be quickly retracted with a simple turn to expose the 1.5" (38 mm) outlet thread for tip only nozzle attachment or break-and-extend operations. Available with 1.5" (38 mm) or 2.5" (64 mm) full-time swivel inlet couplings.

- All lightweight materials
- Hardcoat anodized aluminum
- For use alone or with tip-only nozzles
- For break-and-extend operations
- Thread protector rotates back to reveal 1.5" (38 mm) attachment threads
- Six detent flow positions
- Integral stream straightener is removable

MODEL	MODEL PISTOL GRIP	INTEGRAL SMOOTHBORE TIP ORIFICE SIZE	THREAD SIZE INLET REMOVABLE STREAM STRAIGHTENER	THREAD SIZE OUTLET RIGID W/THREAD PROTECTOR
HVIT11	HVITG11	7/8" (22 mm)	1.5" NH (38 mm)	1.5" NH (38 mm)
HVIT12	HVITG12	15/16" (24 mm)	1.5" NH (38 mm)	1.5" NH (38 mm)
HVIT13	HVITG13	1" (25 mm)	1.5" NH (38 mm)	1.5" NH (38 mm)
HVIT14	HVITG14	1-1/8" (29 mm)	1.5" NH (38 mm)	1.5" NH (38 mm)
HVIT15	HVITG15	1-1/4" (32 mm)	1.5" NH (38 mm)	1.5" NH (38 mm)
HVIT16	HVITG16	1-3/8" (35 mm)	1.5" NH (38 mm)	1.5" NH (38 mm)
HVIT18	HVITG18	1-1/16" (27mm)	1.5" NH (38 mm)	1.5" NH (38 mm)

VIT™ BALL VALVE SERIES
VALVE INTEGRAL TIP 2.5" (64 mm)

MODEL	MODEL PISTOL GRIP	INTEGRAL SMOOTHBORE TIP ORIFICE SIZE	THREAD SIZE INLET REMOVABLE STREAM STRAIGHTENER	THREAD SIZE OUTLET RIGID W/THREAD PROTECTOR
HVIT24	HVITG24	1-1/8" (29 mm)	2.5" NH (64 mm)	1.5" NH (38 mm)
HVIT25	HVITG25	1-1/4" (32 mm)	2.5" NH (64 mm)	1.5" NH (38 mm)
HVIT26	HVITG26	1-3/8" (35 mm)	2.5" NH (64 mm)	1.5" NH (38 mm)
HVIT27	HVITG27	1-3/16" (30 mm)	2.5" NH (64 mm)	1.5" NH (38 mm)

VIT BALL VALVE SERIES FOLDING PISTOL GRIP

The full description of folding pistol grips can be found in the Folding Pistol Grip section.

MODEL	WHEN ORDERED WITH A NEW NOZZLE	LENGTH	WEIGHT
HM792-HKIT	H-VIT - SERIES	8.50" (21.6 cm)	1.7 lb (0.8 kg)



HVIT11 through HVIT18

- 1.5" (38 mm) Rocker lug full time swivel inlet
- Length: 9.26" (23.5 cm)
- Weight: 3.8 lb (1.7 kg)

HVITG11 through HVITG18

- Pistol Grip
- 1.5" (38 mm) Rocker lug full time swivel inlet
- Length: 9.26" (23.5 cm)
- Weight: 4.1 lb (1.9 kg)



HVIT24-through HVIT27

- 2.5" (64 mm) Rocker lug full time swivel inlet
- Length: 9.26" (23.5 cm)
- Weight: 4.2 lb (1.9 kg)

HVITG24 through HVITG27

- Pistol Grip
- 2.5" (64 mm) Rocker lug full time swivel inlet
- Length: 9.41" (23.9 cm)
- Weight: 4.5 lb (2.0 kg)

FIXED GALLONAGE

METRO™ 1 NOZZLE SERIES 1.5" (38 mm)

The Metro™ 1 is the mid-range flow rate fixed (single) gallonage nozzle series for use on hose lines with 1-1/2" (38 mm) couplings. Available with tip only, or bail type shut-off handle.

- Delivered with specified flow disc installed
- All lightweight materials
- Hardcoat anodized aluminum
- Flush without shutting down

- Molded rubber bumper "Power Fog" teeth or stainless steel spinning teeth
- Tip only does not shut-off and must be used with a separate valve
- "Gasket Grabber" inlet screen
- Optional colored pistol grip and handle covers
- Accepts FJ-HM, FJ-LX-HM low expansion or FJ-MX-HM multi-expansion foam attachments



***** Refer to Ordering Matrix on next page**

SERIES	INLET	COUPLING	FOG TEETH	LENGTH	WEIGHT
ME1TO-***	1.5" NH (38 mm)	Rigid Rocker Lug	Fixed Rubber	7.10" (18.0 cm)	2.4 lb (1.1 kg)
ME1TOS-***	1.5" NH (38 mm)	Rigid Rocker Lug	Stainless Steel Spinning	7.10" (18.0 cm)	2.4 lb (1.1 kg)

SERIES	PISTOL GRIP	FOG TEETH	LENGTH	WEIGHT
ME1V-***	No	Fixed Rubber	11.50" (29.2 cm)	4.5 lb (2.0 kg)
ME1VS-***	No	Stainless Steel Spinning	11.50" (29.2 cm)	4.5 lb (2.0 kg)
ME1VPGI-***	Yes	Fixed Rubber	11.50" (29.2 cm)	4.9 lb (2.2 kg)
ME1VPGIS-***	Yes	Stainless Steel Spinning	11.50" (29.2 cm)	4.9 lb (2.2 kg)



Flow calibration is specified at order entry per the ordering matrix. The specified flow calibration disc will be installed at the factory; the nozzle will NOT be sent with extra flow calibration discs. To change flow calibration, a flow disc kit is required. Each kit includes a set of flow washers, retaining rings, instructions and the service tool. See the Repair Kits Section for kit ordering information.

FIXED GALLONAGE

METRO™ 1 NOZZLE SERIES 1.5" (38 mm) ORDERING MATRIX

NFPA
COMPLIANT

METRO 1 TIP ONLY — ORDERING MATRIX

METRO 1 TIP 1.5" NH FEMALE						
M	E	1	T	O	-	A B C

METRO 1 TIP 1.5" NH - SPINNING TEETH						
M	E	1	T	O	S	- A B C

A	B	C	GPM	PSI	LPM	BAR	K
2	1	2	150	50	568	3	21.2
2	2	6	160	50	606	3	22.6
2	6	2	185	50	700	3	26.2
1	4	4	125	75	473	5	14.4

A	B	C	GPM	PSI	LPM	BAR	K
1	7	3	150	75	568	5	17.3
2	0	2	175	75	662	5	20.2
2	1	4	185	75	700	5	21.4
2	3	1	200	75	757	5	23.1
0	9	5	95	100	360	7	9.5
1	2	5	125	100	473	7	12.5
1	5	0	150	100	568	7	15.0



METRO 1 VALVED NOZZLE — ORDERING MATRIX

METRO 1 NOZZLE 1.5" NH (38 mm) FEMALE					
M	E	1	V	-	A B C

METRO 1 NOZZLE 1.5" NH (38 mm) FEMALE SPINNING TEETH					
M	E	1	V	S	- A B C

METRO 1 W/GRIP 1.5" NH (38 mm) FEMALE						
M	E	1	V	P	G	I - A B C

METRO 1 W/GRIP 1.5" NH (38 mm) FEMALE SPINNING TEETH						
M	E	1	V	P	G	I S - A B C

A	B	C	GPM	PSI	LPM	BAR	K
2	1	2	150	50	568	3	21.2
2	2	6	160	50	606	3	22.6
1	4	4	125	75	473	5	14.4
1	7	3	150	75	568	5	17.3

A	B	C	GPM	PSI	LPM	BAR	K
2	0	2	175	75	662	5	20.2
2	1	4	185	75	700	5	21.4
2	3	1	200	75	757	5	23.1
0	9	5	95	100	360	7	9.5
1	2	5	125	100	473	7	12.5
1	5	0	150	100	568	7	15.0



METRO 1 FOAM ATTACHMENTS

The full line of foam attachments can be found in the Foam Equipment section.

MODEL	FITS NOZZLE	FRONT END	DIAMETER	LENGTH	WEIGHT
FJ-HM	Metro 1	Flexible Rubber	5.2" (13.2 cm)	8.50" (21.6 cm)	2.6 lb (1.2 kg)
FJ-LX-HM	Metro 1	Polyethylene	5.8" (14.6 cm)	20.20" (51.3 cm)	3.0 lb (1.4 kg)
FJ-MX-HM	Metro 1	Polypropylene	7.4" (18.8 cm)	15.40" (39.1 cm)	3.2 lb (1.5 kg)

METRO 1 FOLDING PISTOL GRIP

The full description of folding pistol grips can be found in the Folding Pistol Grip section.

MODEL	WHEN ORDERED WITH A NEW NOZZLE	LENGTH	WEIGHT
HM792-HMKIT	METRO 1 - SERIES	8.50" (21.6 cm)	1.7 lb (0.8 kg)

FIXED GALLONAGE

METRO™ 2 NOZZLE SERIES 1.5" (38 mm)

The Metro™ 2 is Task Force Tips' high flow rate fixed (single) gallonage nozzle series for use on hose lines with 1.5" (38 mm) and 2.5" (64 mm) couplings. Available as tip only, or with bail type shut-off handle.

- All lightweight materials
- Hardcoat anodized aluminum
- Flush without shutting down
- Accepts FJ-H low expansion or FJ-HMX multi-expansion foam attachments



ME2TO-***

- 1.5" (38 mm) Rocker rigid inlet
- No shut-off valve. Must be used with a ball valve or VIT with a shut-off valve



ME2V-***

- 1.5" (38 mm) Rocker lug full time swivel inlet
- Polymer shutoff ball
- Six detent flow positions

ME2VPGI-***

- Same as above with pistol grip

FIXED GALLONAGE

METRO™ 2 NOZZLE SERIES 2.5" (64 mm)



ME22TO-***

- 2.5" (64 mm) Rocker lug rigid inlet
- No shut-off valve. Must be used with a ball valve or VIT with a shut-off valve



ME22V-***

- 2.5" (64 mm) Rocker lug full time swivel inlet
- Polymer shutoff ball
- Six detent flow positions

ME22VPGI-***

- Same as above with pistol grip

SERIES	INLET	PISTOL GRIP	FOG TEETH	LENGTH	WEIGHT
ME2TO-***	1.5" NH (38 mm)	No	Fixed Rubber	7.60" (19.3 cm)	3.9 lb (1.8 kg)
ME2V-***	1.5" NH (38 mm)	No	Fixed Rubber	12.70" (32.3 cm)	6.4 lb (2.9 kg)
ME2VPGI-***	1.5" NH (38 mm)	Yes	Fixed Rubber	12.70" (32.3 cm)	6.6 lb (3.0 kg)
ME22TO-***	2.5" NH (64 mm)	No	Fixed Rubber	8.30" (21.1 cm)	4.2 lb (1.9 kg)
ME22V-***	2.5" NH (64 mm)	No	Fixed Rubber	13.60" (34.5 cm)	6.8 lb (3.1 kg)
ME22VPGI-***	2.5" NH (64 mm)	Yes	Fixed Rubber	13.60" (34.5 cm)	7.0 lb (3.2 kg)

***** Refer to Ordering Matrix on next page**

FIXED GALLONAGE

METRO™ 2 NOZZLE SERIES 1.5" (38 mm) and 2.5" (64 mm) ORDERING MATRIX

NFPA
COMPLIANT

METRO 2 1.5" (38 mm) — ORDERING MATRIX



METRO 2 TIP 1.5" NH (38 mm) FEMALE								
M	E	2	T	O	-	A	B	C

METRO 2 NOZZLE 1.5" NH (38 mm) FEMALE								
M	E	2	V	-	A	B	C	



METRO 2 W/GRIP 1.5" NH (38 mm) FEMALE								
M	E	2	V	P	G	I	-	A B C



METRO 2 2.5" (64 mm) — ORDERING MATRIX



METRO 2 TIP 2.5" NH (64 mm) FEMALE								
M	E	2	2	T	O	-	A	B C

METRO 2 NOZZLE 2.5" NH (64 mm) FEMALE								
M	E	2	2	V	-	A	B	C



METRO 2 W/GRIP 2.5" NH (64 mm) FEMALE								
M	E	2	2	V	P	G	I	- A B C



A	B	C	GPM	PSI	LPM	BAR	K
2	6	2	185	50	700	3	26.2
3	5	4	250	50	946	3	35.4
2	8	9	250	75	946	5	28.9
2	5	0	250	100	946	7	25.0
3	2	5	325	100	1230	7	32.5



METRO 2 FOAM ATTACHMENTS

The full line of foam attachments can be found in the Foam Equipment section.

MODEL	FITS NOZZLE	FRONT END	DIAMETER	LENGTH	WEIGHT
FJ-H	Metro 2	Flexible Rubber	5.2" (13.2 cm)	8.50" (21.6 cm)	2.6 lb (1.2 kg)
FJ-HMX	Metro 2	Polyethylene	8.6" (21.8 cm)	15.62" (39.7 cm)	3.1 lb (1.4 kg)

METRO 2 FOLDING PISTOL GRIP

The full description of folding pistol grips can be found in the Folding Pistol Grip section.

MODEL	WHEN ORDERED WITH A NEW NOZZLE	LENGTH	WEIGHT
HM792-HKIT	METRO 2 - SERIES	8.50" (21.6 cm)	1.7 lb (0.8 kg)

FIXED GALLONAGE with PRESSURE RELIEF
WORKING FIRE™ NOZZLE SERIES 1.5" (38 mm)



**FIXED FLOW NOZZLES
 WITH PRESSURE RELIEF**

**Now Available
 in 2 Flows and
 Pressures**

**150gpm @ 75psi
 160gpm @ 50psi**

33% increase in flow = 33% increase in reaction force

TFT WORKING FIRE*

- 150 gpm = 65 lbs. Reaction Force
- 160 gpm = 69 lbs. Reaction Force
- 185 gpm = 80 lbs. Reaction Force
- 200 gpm = 87 lbs. Reaction Force

Pressure relief offers **significantly reduced nozzle reaction force** at high flows.

*150 gpm @ 75 psi

33% increase in flow = 78% increase in reaction force

COMPETITOR'S FIXED NOZZLE*

- 150 gpm = 65 lbs. Reaction Force
- 160 gpm = 74 lbs. Reaction Force
- 185 gpm = 99 lbs. Reaction Force
- 200 gpm = 116 lbs. Reaction Force

Design causes **significantly higher nozzle reaction force** at high flows.

*150 gpm @ 75 psi

Hydraulically Match Your Working Fire Nozzle with a Smoothbore

FSS15075

Pairs with
 150 gpm @ 75 psi
 Working Fire Nozzle



MODEL	INLET	OUTLET	FLOW	LENGTH	WEIGHT
FSS15075	1.5" NH (38 mm)	.764" (19.4 mm)	150 gpm @ 75 psi	5.0" (12.7 cm)	0.6 lb (0.3 kg)

FSS8

Pairs with
 160 gpm @ 50 psi
 Working Fire Nozzle



MODEL	INLET	OUTLET	FLOW	LENGTH	WEIGHT
FSS8	1.5" NH (38 mm)	7/8" (22 mm)	144 gpm @ 40psi 161 gpm @ 50psi 176 gpm @ 60psi	5.0" (12.7 cm)	0.6 lb (0.3 kg)

**FIXED GALLONAGE with PRESSURE RELIEF
WORKING FIRE™ NOZZLE SERIES 1.5" (38 mm)**

The Working Fire nozzle delivers revolutionary performance to the fixed GPM nozzle category. The Working Fire is a 150 gpm @ 75 psi (568 l/min @ 5 bar) or 160 gpm @ 50 psi (606 l/min @ 3.4 bar) fixed GPM nozzle that includes TFT's exclusive pressure relief at high flows to limit nozzle reaction. At low flows, just like every other fixed GPM nozzle, it's clear from the stream quality that optimum flow has not yet been reached. For example when you achieve the 150 gpm (568 l/min) flow rate, the nozzle flows great and there is about 65 lbs (29 kg) of nozzle reaction force.

But when you need a lot more GPM, that's where the Working Fire excels. By integrating pressure relief, a 33% increase in flow rate only yields a 33% increase in reaction force. With the Working Fire nozzle, TFT is able to deliver high 200 gpm (757 l/min) with about 30 lbs (13.6 kg) less reaction force than competitive nozzles.



150 gpm @ 75 psi
WF1TF-173
WF1TFS-173

160 gpm @ 55 psi
WF1TF-226
WF1TFS-226

- 1.5" (38 mm) Rigid rocker lug inlet
- No shut-off valve. Must be used with a ball valve or VIT with a shut-off valve
- Accepts FJ-HM, FJ-LX-HM, FJ-MX-HM low and medium expansion foam attachments



150 gpm @ 75 psi
WF1VF-173
WF1VFS-173
160 gpm @ 50 psi
WF1VF-226
WF1VFS-226

150 gpm @ 75 psi with Pistol Grip
WF1GF-173
WF1GFS-173
160 gpm @ 50 psi with Pistol Grip
WF1GF-226
WF1GFS-226

- 1.5" (38 mm) Rocker lug full-time swivel inlet
- Stainless steel shut-off ball
- Accepts FJ-HM, FJ-LX-HM, FJ-MX-HM low and medium expansion foam attachments

AVAILABLE COLORS: BLUE, RED, YELLOW
Black is the standard color for the stream shaper, handle cover, and pistol grip (if so equipped). These items are also available in Blue, Red, and Yellow at time of order.



150 gpm @ 75 psi	160 gpm @ 50 psi	INLET	BALL VALVE	PISTOL GRIP	FOG TEETH	LENGTH	WEIGHT
WF1TF-173	WF1TF-226	1.5" NH (38 mm)	No	No	Fixed Power Fog	7.33" (18.6 cm)	2.2 lb (1.0 kg)
WF1TFS-173	WF1TFS-226	1.5" NH (38 mm)	No	No	Stainless Steel Spinning	7.33" (18.6 cm)	2.2 lb (1.0 kg)
WF1VF-173	WF1VF-226	1.5" NH (38 mm)	Yes	No	Fixed Power Fog	10.40" (26.4 cm)	4.4 lb (2.0 kg)
WF1VFS-173	WF1VFS-226	1.5" NH (38 mm)	Yes	No	Stainless Steel Spinning	10.40" (26.4 cm)	4.4 lb (2.0 kg)
WF1GF-173	WF1GF-226	1.5" NH (38 mm)	Yes	Yes	Fixed Power Fog	10.40" (26.4 cm)	4.7 lb (2.1 kg)
WF1GFS-173	WF1GFS-226	1.5" NH (38 mm)	Yes	Yes	Stainless Steel Spinning	10.40" (26.4 cm)	4.7 lb (2.1 kg)



WORKING FIRE FOAM ATTACHMENTS

The full line of foam attachments can be found in the Foam Equipment section.

MODEL	FITS NOZZLE	FRONT END	DIAMETER	LENGTH	WEIGHT
FJ-HM	Working Fire	Flexible Rubber	5.2" (13.2 cm)	8.50" (21.6 cm)	2.6 lb (1.2 kg)
FJ-LX-HM	Working Fire	Polyethylene	5.8" (14.6 cm)	20.20" (51.3 cm)	3.0 lb (1.4 kg)
FJ-MX-HM	Working Fire	Polypropylene	7.4" (18.8 cm)	15.40" (39.1 cm)	3.2 lb (1.5 kg)

WORKING FIRE FOLDING PISTOL GRIP

The full description of folding pistol grips can be found in the Folding Pistol Grip section.

MODEL	WHEN ORDERED WITH A NEW NOZZLE	LENGTH	WEIGHT
HM792-JKIT	WORKING FIRE SERIES	8.50" (21.6 cm)	1.7 lb (0.8 kg)

DUAL GALLONAGE

TWISTER™ NOZZLE SERIES 3/4" (19 mm) and 1" (25 mm)

The TWISTER series nozzles are selectable, dual gallonage, combination nozzles that are designed for simplicity and durability. The rubber bumper provides a positive grip and protects the front end. Twisting the shaper from the off position produces the following settings: low flow straight

stream, low flow narrow fog, high flow straight stream, and high flow fog. The rugged, economical nozzle also accepts the FJ-MX-D FoamJet multi-expansion foam aspirating attachment.



C1024
C1040
D1024
D1040

- Two flow settings at 100 psi (7 bar)
- All lightweight materials
- Hardcoat anodized aluminum
- Twist "off" position for positive shut-off



DS1024 **With Pistol Grip**
DS1040 **DS1024P**
 DS1040P

- Two flow settings at 100 psi (7 bar)
- All lightweight materials
- Hardcoat anodized aluminum
- Quick-change rear valve seat
- Stainless steel shut-off ball
- Twist "off" position for positive shut-off

MODEL	INLET	FLOW SETTINGS	COUPLING	PISTOL GRIP	LENGTH	WEIGHT
C1024	3/4" GHT (19 mm)	10 and 24 gpm (37 and 90 l/min)	Knurled Rigid Base	No	4.00" (10.2 cm)	0.6 lb (0.3 kg)
C1040	3/4" GHT (19 mm)	10 and 40 gpm (37 and 150 l/min)	Knurled Rigid Base	No	4.00" (10.2 cm)	0.6 lb (0.3 kg)
D1024	1.0" NH (25 mm)	10 and 24 gpm (37 and 90 l/min)	Knurled Rigid Base	No	4.00" (10.2 cm)	0.6 lb (0.3 kg)
D1040	1.0" NH (25 mm)	10 and 40 gpm (37 and 150 l/min)	Knurled Rigid Base	No	4.00" (10.2 cm)	0.6 lb (0.3 kg)
DS1024	1.0" NH (25 mm)	10 and 24 gpm (37 and 90 l/min)	Rocker Lug Swivel	No	6.25" (15.9 cm)	1.5 lb (0.7 kg)
DS1040	1.0" NH (25 mm)	10 and 40 gpm (37 and 150 l/min)	Rocker Lug Swivel	No	6.25" (15.9 cm)	1.5 lb (0.7 kg)
DS1024P	1.0" NH (25 mm)	10 and 24 gpm (37 and 90 l/min)	Rocker Lug Swivel	Yes	6.25" (15.9 cm)	1.9 lb (0.9 kg)
DS1040P	1.0" NH (25 mm)	10 and 40 gpm (37 and 150 l/min)	Rocker Lug Swivel	Yes	6.25" (15.9 cm)	1.9 lb (0.9 kg)



TWISTER FOAM ATTACHMENTS

The full line of foam attachments can be found in the Foam Equipment section.

MODEL	FITS NOZZLE	FRONT END	DIAMETER	LENGTH	WEIGHT
FJ-MX-D	Twister 1"(25 mm)	Polyethylene	5.2" (13.0 cm)	10.60" (26.9 cm)	1.4 lb (0.6 kg)

TWISTER D- SERIES FOLDING PISTOL GRIP

The full description of folding pistol grips can be found in the Folding Pistol Grip section.

MODEL	WHEN ORDERED WITH A NEW NOZZLE	LENGTH	WEIGHT
HM792-DKIT	TWISTER - SERIES	8.50" (21.6 cm)	1.7 lb (0.8 kg)

SINGLE AND DUAL GALLONAGE

TWISTER™ NOZZLE SERIES 1.5" (38 mm)

The TWISTER series nozzles are selectable, single or dual gallonage, combination nozzles that are designed for simplicity and durability. The rubber bumper provides a positive grip and protects the front end. The rugged, economical nozzle also accepts the FJ-MX-F FoamJet multi-expansion foam aspirating attachment.

F2060 Dual Flow

F2095 Dual Flow

F95 Single Flow

- Two flow settings at 100 psi (7 bar)
- F95 has single flow setting
- All lightweight materials
- Hardcoat anodized aluminum
- Twist "off" position for positive shut-off



FS2060 Dual Flow

FS2095 Dual Flow

FS95 Single Flow

With Pistol Grip

FS2060P Dual Flow

FS2095P Dual Flow

FS95P Single Flow

- Two flow settings at 100 psi (7 bar)
- FS95 and FS95P have a single flow setting
- All lightweight materials
- Hardcoat anodized aluminum
- Quick-change rear valve seat
- Stainless steel shut-off ball
- Twist "off" position for positive shut-off



SINGLE FLOW	INLET	FLOW SETTINGS	COUPLING	PISTOL GRIP	LENGTH	WEIGHT
F95	1.5" NH (38 mm)	95 gpm (360 l/min)	Knurled Rigid Base	No	5.25" (13.3 cm)	1.2 lb (0.5 kg)
FS95	1.5" NH (38 mm)	95 gpm (360 l/min)	Rocker Lug Swivel	No	5.25" (13.3 cm)	1.2 lb (0.5 kg)
FS95P	1.5" NH (38 mm)	95 gpm (360 l/min)	Rocker Lug Swivel	Yes	5.25" (13.3 cm)	1.2 lb (0.5 kg)
DUAL FLOW	INLET	FLOW SETTINGS	COUPLING	PISTOL GRIP	LENGTH	WEIGHT
F2060	1.5" NH (38 mm)	20 and 60 gpm (75 and 230 l/min)	Knurled Rigid Base	No	5.25" (13.3 cm)	1.2 lb (0.5 kg)
F2095	1.5" NH (38 mm)	20 and 95 gpm (75 and 360 l/min)	Knurled Rigid Base	No	5.25" (13.3 cm)	1.2 lb (0.5 kg)
FS2060	1.5" NH (38 mm)	20 and 60 gpm (75 and 230 l/min)	Rocker Lug Swivel	No	7.37" (18.7 cm)	2.4 lb (1.1 kg)
FS2095	1.5" NH (38 mm)	20 and 95 gpm (75 and 360 l/min)	Rocker Lug Swivel	No	7.37" (18.7 cm)	2.4 lb (1.1 kg)
FS2060P	1.5" NH (38 mm)	20 and 60 gpm (75 and 230 l/min)	Rocker Lug Swivel	Yes	7.37" (18.7 cm)	2.6 lb (1.2 kg)
FS2095P	1.5" NH (38 mm)	20 and 95 gpm (75 and 360 l/min)	Rocker Lug Swivel	Yes	7.37" (18.7 cm)	2.6 lb (1.2 kg)



TWISTER FOAM ATTACHMENTS

The full line of foam attachments can be found in the Foam Equipment section.

MODEL	FITS NOZZLE	FRONT END	DIAMETER	LENGTH	WEIGHT
FJ-MX-F	Twister 1.5"(38 mm)	Polypropylene	7.4" (18.8 cm)	12.60" (32.0 cm)	2.2 lb (1.0 kg)

TWISTER F- SERIES FOLDING PISTOL GRIP

The full description of folding pistol grips can be found in the Folding Pistol Grip section.

MODEL	WHEN ORDERED WITH A NEW NOZZLE	LENGTH	WEIGHT
HM792-FKIT	TWISTER - SERIES	8.50" (21.6 cm)	1.7 lb (0.8 kg)

DUAL GALLONAGE FOAM

BUBBLE CUP® FOAM NOZZLE SERIES 1" (25 mm)

The Bubble Cup, 1" (25 mm) series, is a unique combination nozzle capable of producing aspirated foam, straight stream and a wide fog pattern. When the outer sleeve is in the retracted position, the nozzle operates as a standard dual gallonage straight stream/combination nozzle.

To use the aspirating feature of the nozzle, the nozzle operator slides the outer sleeve forward, and by adjusting the pattern, has control of reach and aspiration.

D1024BC
D1040BC

- Two flow settings at 100 psi (7 bar)
- Twist "off" position for positive shut-off



DS1024BC With Pistol Grip
DS1040BC
DS1024BCP
DS1040BCP

- Two flow settings at 100 psi (7 bar)
- Stainless steel shut-off ball
- Quick-change rear valve seat
- Twist "off" position for positive shut-off



MODEL	INLET	FLOW SETTINGS @ 100 PSI (7 BAR)	COUPLING	PISTOL GRIP	LENGTH	WEIGHT
D1024BC	1.0" NH (25 mm)	10 and 24 gpm (37 and 90 l/min)	Knurled Rigid Base	No	4.00" - 6.00" (10.2 - 15.2 cm)	0.9 lb (0.4 kg)
D1040BC	1.0" NH (25 mm)	10 and 40 gpm (37 and 150 l/min)	Knurled Rigid Base	No	4.00" - 6.00" (10.2 - 15.2 cm)	0.9 lb (0.4 kg)
DS1024BC	1.0" NH (25 mm)	10 and 24 gpm (37 and 90 l/min)	Rocker Lug Swivel	No	6.37" - 8.37" (16.2 - 21.3 cm)	1.8 lb (0.8 kg)
DS1040BC	1.0" NH (25 mm)	10 and 40 gpm (37 and 150 l/min)	Rocker Lug Swivel	No	6.37" - 8.37" (16.2 - 21.3 cm)	1.8 lb (0.8 kg)
DS1024BCP	1.0" NH (25 mm)	10 and 24 gpm (37 and 90 l/min)	Rocker Lug Swivel	Yes	6.37" - 8.37" (16.2 - 21.3 cm)	2.0 lb (0.9 kg)
DS1040BCP	1.0" NH (25 mm)	10 and 40 gpm (37 and 150 l/min)	Rocker Lug Swivel	Yes	6.37" - 8.37" (16.2 - 21.3 cm)	2.0 lb (0.9 kg)

BUBBLE CUP D- SERIES FOLDING PISTOL GRIP

The full description of folding pistol grips can be found in the Folding Pistol Grip section.

MODEL	WHEN ORDERED WITH A NEW NOZZLE	LENGTH	WEIGHT
HM792-DKIT	Bubble Cup D- SERIES	8.50" (21.6 cm)	1.7 lb (0.8 kg)

SINGLE AND DUAL GALLONAGE FOAM BUBBLE CUP® FOAM NOZZLE SERIES 1.5" (38 mm)

The Bubble Cup, 1.5" (38 mm) series, is a unique combination nozzle capable of producing aspirated foam, straight stream and a wide fog pattern. When the outer sleeve is in the retracted position, the nozzle operates as a standard single or dual gallonage straight stream/combination nozzle. To use the aspirating feature of the nozzle, the nozzle operator slides the outer sleeve forward, and by adjusting the pattern, has control of reach and aspiration.

- All lightweight materials
- Hardcoat anodized for corrosion protection
- Stainless steel shut-off ball (except tip-only models)

- F2060BC** Dual Flow
- F2095BC** Dual Flow
- F95BC** Single Flow



- Two flow settings at 100 psi (7 bar)
- F95BC has single flow setting
- Twist "off" position for positive shut-off



- FS2060BC** Dual Flow
- FS2095BC** Dual Flow
- FS95BC** Single Flow
- With Pistol Grip**
- FS2060BCP** Dual Flow
- FS2095BCP** Dual Flow
- FS95BCP** Single Flow
- FS95P** Single Flow

- Two flow settings at 100 psi (7 bar)
- FS95BC has single flow setting
- Quick-change rear valve seat
- Twist "off" position for positive shut-off

SINGLE FLOW	INLET	FLOW SETTINGS @ 100 PSI (7 BAR)	COUPLING	PISTOL GRIP	LENGTH	WEIGHT
F95BC	1.5" NH (38 mm)	95 gpm (360 l/min)	Knurled Rigid Base	No	5.00" - 7.50" (12.7 - 19.1 cm)	1.7 lb (0.8 kg)
FS95BC	1.5" NH (38 mm)	95 gpm (360 l/min)	Rocker Lug Swivel	No	7.25" - 9.75" (18.4 - 24.8 cm)	3.0 lb (1.4 kg)
FS95BCP	1.5" NH (38 mm)	95 gpm (360 l/min)	Rocker Lug Swivel	Yes	7.25" - 9.75" (18.4 - 24.8 cm)	3.2 lb (1.5 kg)
DUAL FLOW	INLET	FLOW SETTINGS @ 100 PSI (7 BAR)	COUPLING	PISTOL GRIP	LENGTH	WEIGHT
F2060BC	1.5" NH (38 mm)	20 and 60 gpm (75 and 230 l/min)	Knurled Rigid Base	No	5.00" - 7.50" (12.7 - 19.1 cm)	1.7 lb (0.8 kg)
F2095BC	1.5" NH (38 mm)	20 and 95 gpm (75 and 360 l/min)	Knurled Rigid Base	No	5.00" - 7.50" (12.7 - 19.1 cm)	1.7 lb (0.8 kg)
FS2060BC	1.5" NH (38 mm)	20 and 60 gpm (75 and 230 l/min)	Rocker Lug Swivel	No	7.25" - 9.75" (18.4 - 24.8 cm)	3.0 lb (1.4 kg)
FS2095BC	1.5" NH (38 mm)	20 and 95 gpm (75 and 360 l/min)	Rocker Lug Swivel	No	7.25" - 9.75" (18.4 - 24.8 cm)	3.0 lb (1.4 kg)
FS2060BCP	1.5" NH (38 mm)	20 and 60 gpm (75 and 230 l/min)	Rocker Lug Swivel	Yes	7.25" - 9.75" (18.4 - 24.8 cm)	3.2 lb (1.5 kg)
FS2095BCP	1.5" NH (38 mm)	20 and 95 gpm (75 and 360 l/min)	Rocker Lug Swivel	Yes	7.25" - 9.75" (18.4 - 24.8 cm)	3.2 lb (1.5 kg)

BUBBLE CUP F- SERIES FOLDING PISTOL GRIP

The full description of folding pistol grips can be found in the Folding Pistol Grip section.

MODEL	WHEN ORDERED WITH A NEW NOZZLE	LENGTH	WEIGHT
HM792-FKIT	Bubble Cup F- SERIES	8.50" (21.6 cm)	1.7 lb (0.8 kg)

SELECTABLE GALLONAGE
QUADRAFOG® DQ40 NOZZLE SERIES 1" (25 mm)

The QuadraFog DQ40 is selectable gallonage nozzle series for use on 1.0" (25 mm) hose lines. Available as tip only, or with bail type shut-off handle.

- All lightweight materials
- Hardcoat anodized aluminum
- Flush without shutting down
- Metal cut fog teeth or spinning teeth
- Accepts FJ-DQ low expansion or the FJ-MX-DQ multi-expansion foam attachments

DQ40

- 1.0" (25 mm) Knurled rigid thread inlet
- Has an "OFF" position for break and extend operations



DQS40
With Pistol Grip
DQS40P
DQS40PS

- 1.0" (25 mm) Rocker lug swivel inlet
- Stainless steel shut-off ball
- Quick-change rear valve seat

DQ40 SERIES
5-10-24-40 GPM (20-40-90-150 LPM)

MODEL	INLET	FLOW SETTINGS	COUPLING	BALL VALVE	PISTOL GRIP	FOG TEETH	LENGTH	WEIGHT	EN CERTIFICATION
DQ40	1.0" NH (25 mm)	5-10-24-40 gpm @ 100 psi (20-40-90-150 l/min @ 7 bar)	Knurled Rigid Base	No	No	Fixed Cut Metal	5.00" (12.7 cm)	1.3 lb (0.6 kg)	
DQS40	1.0" NH (25 mm)	5-10-24-40 gpm @ 100 psi (20-40-90-150 l/min @ 7 bar)	Rocker Lug Swivel	Yes	No	Fixed Cut Metal	7.25" (18.4 cm)	2.0 lb (0.9 kg)	
DQS40P	1.0" NH (25 mm)	5-10-24-40 gpm @ 100 psi (20-40-90-150 l/min @ 7 bar)	Rocker Lug Swivel	Yes	Yes	Fixed Cut Metal	7.25" (18.4 cm)	2.3 lb (1.0 kg)	
DQS40PS	1.0" NH (25 mm)	5-10-24-40 gpm @ 100 psi (20-40-90-150 l/min @ 7 bar)	Rocker Lug Swivel	Yes	Yes	Metal Spinning Teeth	7.25" (18.4 cm)	2.3 lb (1.0 kg)	
QF150	1.0" BSPF (25 mm)	20-40-100-150 l/min @ 6 bar	Extended Knurled Swivel	Yes	Yes	Fixed Cut Metal	9.00" (23.3 cm)	2.7 lb (1.2 kg)	15182-2 Type 3
QF150-BH	2.0" BSPM (51 mm)	20-40-100-150 l/min @ 6 bar	Extended Male Swivel	Yes	Yes	Fixed Cut Metal	9.00" (23.3 cm)	2.7 lb (1.2 kg)	15182-2 Type 3
QF150-GFR	GFR 20 F	20-40-100-150 l/min @ 6 bar	Extended Knurled Swivel	Yes	Yes	Fixed Cut Metal	9.00" (23.3 cm)	2.7 lb (1.2 kg)	15182-2 Type 3
QF150-HP	1.0" BSPF (25 mm)	20-40-100-150 l/min @ 6 bar	Extended Knurled Swivel	Yes	Yes	Fixed Cut Metal	9.00" (23.3 cm)	2.7 lb (1.2 kg)	15182-4 Type 3



QUADRAFOG FOAM ATTACHMENTS

The full line of foam attachments can be found in the Foam Equipment section.

MODEL	FITS NOZZLE	FRONT END	DIAMETER	LENGTH	WEIGHT
FJ-DQ	QuadraFog 1" (25 mm)	Flexible Rubber	3.6" (9.1 cm)	6.50" (16.5 cm)	1.2 lb (0.5 kg)
FJ-MX-DQ	QuadraFog 1" (25 mm)	Polypropylene	7.4" (18.8 cm)	12.60" (32.0 cm)	2.2 lb (1.0 kg)

QUADRAFOG D- SERIES FOLDING PISTOL GRIP

The full description of folding pistol grips can be found in the Folding Pistol Grip section.

MODEL	WHEN ORDERED WITH A NEW NOZZLE	LENGTH	WEIGHT
HM792-DKIT	QuadraFog D- SERIES	8.50" (21.6 cm)	1.7 lb (0.8 kg)

SELECTABLE GALLONAGE
QUADRAFOG® DQ60 NOZZLE SERIES 1" (25 mm)

The QuadraFog DQ60 is selectable gallonage nozzle series for use on 1.0" (25 mm) hose lines. Available as tip only, or with bail type shut-off handle.

- All lightweight materials
- Hardcoat anodized aluminum
- Flush without shutting down
- Metal cut fog teeth or spinning teeth
- Accepts FJ-DQ low expansion or the FJ-MX-DQ multi-expansion foam attachments
- Metric models may vary from units shown. See chart below.

DQ60

- 1.0" (25 mm) Knurled rigid thread inlet
- Has an "OFF" position for break and extend operations



DQS60
DQS60S

With Pistol Grip
DQS60P
DQS60PS

- 1.0" (25 mm) Rocker lug swivel inlet
- Stainless steel shut-off ball
- Quick-change rear valve seat

DQ60 SERIES

5-10-24-40-60 GPM (20-40-90-150-230 LPM)

MODEL	INLET	FLOW SETTINGS	COUPLING	BALL VALVE	PISTOL GRIP	FOG TEETH	LENGTH	WEIGHT	EN CERTIFICATION
DQ60	1.0" NH (25 mm)	5-10-24-40-60 gpm @ 100 psi (20-40-90-150-230 l/min @ 7 bar)	Knurled Rigid Base	No	No	Fixed Cut Metal	5.00" (12.7 cm)	1.3 lb (0.6 kg)	
DQS60	1.0" NH (25 mm)	5-10-24-40-60 gpm @ 100 psi (20-40-90-150-230 l/min @ 7 bar)	Rocker Lug Swivel	Yes	No	Fixed Cut Metal	7.25" (18.4 cm)	2.0 lb (0.9 kg)	
DQS60S	1.0" NH (25 mm)	5-10-24-40-60 gpm @ 100 psi (20-40-90-150-230 l/min @ 7 bar)	Rocker Lug Swivel	Yes	No	Metal Spinning Teeth	7.25" (18.4 cm)	2.0 lb (0.9 kg)	
DQS60P	1.0" NH (25 mm)	5-10-24-40-60 gpm @ 100 psi (20-40-90-150-230 l/min @ 7 bar)	Rocker Lug Swivel	Yes	Yes	Fixed Cut Metal	7.25" (18.4 cm)	2.3 lb (1.0 kg)	
DQS60PS	1.0" NH (25 mm)	5-10-24-40-60 gpm @ 100 psi (20-40-90-150-230 l/min @ 7 bar)	Rocker Lug Swivel	Yes	Yes	Metal Spinning Teeth	7.25" (18.4 cm)	2.3 lb (1.0 kg)	
DQ-ECF-BD	1.0" BSPF (25 mm)	20-40-100-150-235 l/min @ 5 bar	Knurled Rigid Base	No (no OFF position)	No	Fixed Cut Metal	5.00" (12.7 cm)	1.3 lb (0.6 kg)	
DQS-EKFP-BD	1.0" BSPF (25 mm)	20-40-100-150-230 l/min @ 7 bar	Extended Knurled Swivel	Yes	Yes	Fixed Cut Metal	9.00" (23.3 cm)	2.7 lb (1.2 kg)	
DQS-EKFPS-BD	1.0" BSPF (25 mm)	20-40-100-150-230 l/min @ 7 bar	Extended Knurled Swivel	Yes	Yes	Metal Spinning Teeth	9.00" (23.3 cm)	2.7 lb (1.2 kg)	
QF235-BH	2.0" BSPM (51 mm)	20-40-100-150-230 l/min @ 6 bar	Extended Male Swivel	Yes	Yes	Fixed Cut Metal	9.00" (23.3 cm)	2.7 lb (1.2 kg)	15182-2 Type 3
QF235-HP	1.0" BSPF (25 mm)	20-40-100-150-230 l/min @ 6 bar	Extended Knurled Swivel	Yes	Yes	Fixed Cut Metal	9.00" (23.3 cm)	2.7 lb (1.2 kg)	15182-4 Type 3

QUADRAFOG FOAM ATTACHMENTS

The full line of foam attachments can be found in the Foam Equipment section.



MODEL	FITS NOZZLE	FRONT END	DIAMETER	LENGTH	WEIGHT
FJ-DQ	QuadraFog 1" (25 mm)	Flexible Rubber	3.6" (9.1 cm)	6.50" (16.5 cm)	1.2 lb (0.5 kg)
FJ-MX-DQ	QuadraFog 1" (25 mm)	Polypropylene	7.4" (18.8 cm)	12.60" (32.0 cm)	2.2 lb (1.0 kg)

QUADRAFOG D- SERIES FOLDING PISTOL GRIP

The full description of folding pistol grips can be found in the Folding Pistol Grip section.

MODEL	WHEN ORDERED WITH A NEW NOZZLE	LENGTH	WEIGHT
HM792-DKIT	QuadraFog D- SERIES	8.50" (21.6 cm)	1.7 lb (0.8 kg)

SELECTABLE GALLONAGE
QUADRAFOG® NOZZLE SERIES 1.5" (38 mm)



The 30-60-95-125 gpm (110-230-360-470 l/min) QuadraFog is a selectable gallonage nozzle series for use on 1.5" (38 mm) hose lines. Available as tip only, or with bail type shut-off handle. Available in 100 psi (7 bar) or 75 psi (5 bar) rating.

- All lightweight materials
- Hardcoat anodized aluminum
- Flush without shutting down
- Metal cut or stainless steel spinning fog teeth

FQ125F
FQ125S
FQ125LF
FQ125LS



- Knurled rigid thread inlet
- Has an "OFF" position for break and extend operations

FQS125F
FQS125S

With Pistol Grip
FQS125PF
FQS125PS
FQS125LPF
FQS125LPS



- Rocker lug swivel inlet
- Stainless steel shut-off ball valve
- Quick change rear valve seat

MODEL	INLET	OPERATING PRESSURE	COUPLING	BALL VALVE	PISTOL GRIP	FOG TEETH	LENGTH	WEIGHT
FQ125F	1.5" NH (38 mm)	100 psi (7 bar)	Knurled Rigid Base	No	No	Fixed Cut Metal	6.87" (17.5 cm)	2.4 lb (1.1 kg)
FQ125S	1.5" NH (38 mm)	100 psi (7 bar)	Knurled Rigid Base	No	No	Stainless Steel Spinning	6.87" (17.5 cm)	2.4 lb (1.1 kg)
FQ125LF	1.5" NH (38 mm)	75 psi (5 bar)	Knurled Rigid Base	No	No	Fixed Cut Metal	6.87" (17.5 cm)	2.4 lb (1.1 kg)
FQ125LS	1.5" NH (38 mm)	75 psi (5 bar)	Knurled Rigid Base	No	No	Stainless Steel Spinning	6.87" (17.5 cm)	2.4 lb (1.1 kg)
FQS125F	1.5" NH (38 mm)	100 psi (7 bar)	Rocker Lug Swivel	Yes	No	Fixed Cut Metal	8.37" (21.3 cm)	3.4 lb (1.5 kg)
FQS125S	1.5" NH (38 mm)	100 psi (7 bar)	Rocker Lug Swivel	Yes	No	Stainless Steel Spinning	8.37" (21.3 cm)	3.4 lb (1.5 kg)
FQS125PF	1.5" NH (38 mm)	100 psi (7 bar)	Rocker Lug Swivel	Yes	Yes	Fixed Cut Metal	8.37" (21.3 cm)	3.6 lb (1.6 kg)
FQS125PS	1.5" NH (38 mm)	100 psi (7 bar)	Rocker Lug Swivel	Yes	Yes	Stainless Steel Spinning	8.37" (21.3 cm)	3.6 lb (1.6 kg)
FQS125LPF	1.5" NH (38 mm)	75 psi (5 bar)	Rocker Lug Swivel	Yes	Yes	Fixed Cut Metal	8.37" (21.3 cm)	3.6 lb (1.6 kg)
FQS125LPS	1.5" NH (38 mm)	75 psi (5 bar)	Rocker Lug Swivel	Yes	Yes	Stainless Steel Spinning	8.37" (21.3 cm)	3.6 lb (1.6 kg)



QUADRAFOG FOAM ATTACHMENTS

The full line of foam attachments can be found in the Foam Equipment section.

MODEL	FITS NOZZLE	FRONT END	DIAMETER	LENGTH	WEIGHT
FJ-LX-FQ	QuadraFog 1.5" (38 mm)	Polyethylene	5.8" (14.6 cm)	20.20" (51.3 cm)	3.0 lb (1.4 kg)
FJ-MX-FQ	QuadraFog 1.5" (38 mm)	Polypropylene	7.4" (18.8 cm)	15.20" (38.6 cm)	3.3 lb (1.5 kg)

QUADRAFOG F- SERIES FOLDING PISTOL GRIP

The full description of folding pistol grips can be found in the Folding Pistol Grip section.

MODEL	WHEN ORDERED WITH A NEW NOZZLE	LENGTH	WEIGHT
HM792-FKIT	QuadraFog F- SERIES	8.50" (21.6 cm)	1.7 lb (0.8 kg)

**SELECTABLE GALLONAGE
QUADRAFOG® NOZZLE SERIES METRIC**

The QuadraFog is a selectable gallonage nozzle series for use on 38 mm and 51 mm hose lines. Available with bail type shut-off handle and pistol grip.

- All lightweight materials
- Hardcoat anodized aluminum
- Flush without shutting down
- Metal cut or stainless steel spinning fog teeth



With Pistol Grip
FQS-ENPS-BF
FQS-EUPS-BF
FQS-EUPS-BIC
QF400
QF500

- Swivel inlet
- Stainless steel shut-off ball valve

MODEL	INLET	FLOW SETTINGS	COUPLING	BALL VALVE	PISTOL GRIP	FOG TEETH	LENGTH	WEIGHT	EN CERTIFICATION
FQS-ENPS-BF	1.5" BSPF	110-230-360-470 l/min @ 5 bar	Rocker Lug Swivel	Yes	Yes	Stainless Steel Spinning	8.37" (21.3 cm)	3.6 lb (1.6 kg)	
FQS-EUPS-BF	1.5" BSPF	110-230-360-470 l/min @ 7 bar	Rocker Lug Swivel	Yes	Yes	Stainless Steel Spinning	8.37" (21.3 cm)	3.6 lb (1.6 kg)	
FQS-EUPS-BIC	2.5" BICM	110-230-360-470 l/min @ 7 bar	Rocker Lug Swivel	Yes	Yes	Stainless Steel Spinning	12.2" (31.1 cm)	4.7 lb (2.1 kg)	
QF400	2.0" BSPM	70-130-230-400 l/min @ 6 bar	Male Thread Swivel	Yes	Yes	Fixed Cut Metal	9.60" (24.3 cm)	3.8 lb (1.7 kg)	15182-2 Type 3
QF500	1.5" BSPF	100-250-350-500 l/min @ 6 bar	Extended Knurled Swivel	Yes	Yes	Fixed Cut Metal	9.60" (24.3 cm)	3.8 lb (1.7 kg)	15182-2 Type 3



QUADRAFOG FOAM ATTACHMENTS

The full line of foam attachments can be found in the Foam Equipment section.

MODEL	FITS NOZZLE	FRONT END	DIAMETER	LENGTH	WEIGHT
FJ-LX-FQ	QuadraFog 1.5" (38 mm)	Polyethylene	5.8" (14.6 cm)	20.20" (51.3 cm)	3.0 lb (1.4 kg)
FJ-MX-FQ	QuadraFog 1.5" (38 mm)	Polypropylene	7.4" (18.8 cm)	15.20" (38.6 cm)	3.3 lb (1.5 kg)

QUADRAFOG F- SERIES FOLDING PISTOL GRIP

The full description of folding pistol grips can be found in the Folding Pistol Grip section.

MODEL	WHEN ORDERED WITH A NEW NOZZLE	LENGTH	WEIGHT
HM792-FKIT	QuadraFog F- SERIES	8.50" (21.6 cm)	1.7 lb (0.8 kg)

SELECTABLE GALLONAGE FOAM
QUADRACUP™ FOAM NOZZLE SERIES 1.5" (38 mm)

**NFPA
COMPLIANT**

The QuadraCup, 1.5" (38 mm) series, is a unique combination nozzle capable of producing aspirated foam, straight stream and a wide fog pattern. Four flow settings of 30, 60, 95, & 125 gpm (110, 230, 360 & 470 l/min) makes it an outstanding performer for 1.5" (38 mm) hose. When the outer sleeve is in the retracted position, the nozzle operates as a standard selectable gallonage straight stream/combination nozzle. To use

the aspirating feature of the nozzle, the nozzle operator slides the outer sleeve forward, and by adjusting the pattern, has control of reach and aspiration. The front end can be rotated from straight stream through wide fog patterns. Uniquely cut fixed metal fog teeth produce a wide range of fog patterns. Metric models may vary from units shown. See chart below.



FQ125BC
FQ125BCL

- Lightweight materials hardcoat anodized aluminum
- Flush without shutting down
- Twist "off" position for positive shut-off



FQS125BC **With Pistol Grip**
FQS125BCL **FQS125BCP**
FQS125BCPL

- Lightweight materials hardcoat anodized aluminum
- Flush without shutting down
- Quick-change rear valve seat
- Stainless steel shut-off ball
- Pistol grip is mounted below the valve

MODEL	INLET	FLOW SETTINGS	COUPLING	BALL VALVE	PISTOL GRIP	LENGTH	WEIGHT
FQ125BC	1.5" NH (38 mm)	30, 60, 95, and 125 gpm @ 100 psi (110, 230, 360 and 470 l/min @ 7 bar)	Knurled Rigid Base	No	No	5.00"- 7.25" (12.7 - 18.4 cm)	1.7 lb (0.8 kg)
FQ125BCL	1.5" NH (38 mm)	30, 60, 95, and 125 gpm @ 75 psi (110, 230, 360 and 470 l/min @ 5 bar)	Knurled Rigid Base	No	No	5.00"- 7.25" (12.7 - 18.4 cm)	1.7 lb (0.8 kg)
FQS125BC	1.5" NH (38 mm)	30, 60, 95, and 125 gpm @ 100 psi (110, 230, 360 and 470 l/min @ 7 bar)	Rocker Lug Swivel	Yes	No	7.25" - 9.75" (18.4 - 24.8 cm)	3.0 lb (1.4 kg)
FQS125BCL	1.5" NH (38 mm)	30, 60, 95, and 125 gpm @ 75 psi (110, 230, 360 and 470 l/min @ 5 bar)	Rocker Lug Swivel	Yes	No	7.25" - 9.75" (18.4 - 24.8 cm)	3.0 lb (1.4 kg)
FQS125BCP	1.5" NH (38 mm)	30, 60, 95, and 125 gpm @ 100 psi (110, 230, 360 and 470 l/min @ 7 bar)	Rocker Lug Swivel	Yes	Yes	7.25" - 9.75" (18.4 - 24.8 cm)	3.2 lb (1.5 kg)
FQS125BCPL	1.5" NH (38 mm)	30, 60, 95, and 125 gpm @ 75 psi (110, 230, 360 and 470 l/min @ 5 bar)	Rocker Lug Swivel	Yes	Yes	7.25" - 9.75" (18.4 - 24.8 cm)	3.2 lb (1.5 kg)
FQCS-ELP-BJ	2.5" BSPM (64 mm)	2.5-4-6.5-8 L/sec @ 0.6 MPa	Male Thread Swivel	Yes	Yes	9.75"-12.25" (24.8 -31.1 cm)	4.8 lb (2.2 kg)
FQCS-ENP-BF	1.5" BSPF (38 mm)	110-230-360-470 l/min @ 5 bar	Extended Knurled Swivel	Yes	Yes	8.48" - 10.98" (21.5 - 27.9 cm)	4.3 lb (2.0 kg)
FQCS-EUP-BF	1.5" BSPF (38 mm)	110-230-360-470 l/min @ 7 bar	Extended Knurled Swivel	Yes	Yes	8.48" - 10.98" (21.5 - 27.9 cm)	4.3 lb (2.0 kg)

QUADRACUP F- SERIES FOLDING PISTOL GRIP

The full description of folding pistol grips can be found in the Folding Pistol Grip section.

MODEL	WHEN ORDERED WITH A NEW NOZZLE	LENGTH	WEIGHT
HM792-FKIT	QuadraCup F- SERIES	8.50" (21.6 cm)	1.7 lb (0.8 kg)

SELECTABLE GALLONAGE
THUNDERFOG® 200 NOZZLE SERIES 1.5" (38 mm)



The ThunderFog 200 series selectable gallonage nozzle has selectable flows of 30-60-95-125-150-200 gpm (110-230-360-470-570-750 l/min). The 200 series is an excellent choice for 1.5" (38 mm) or 1.75" (44 mm) hose lines. Available in 100 psi (7 bar) or 75 psi (5 bar) rating.

- NFPA Compliant
- All 100 psi (7 bar) nozzles are FM Approved
- All lightweight materials
- Hardcoat anodized aluminum
- Flush without shutting down
- Metal cut or stainless steel spinning fog teeth
- Accepts FJ-MX-FT multi-expansion foam attachment



FT200F
FT200S
FT200LF

- Has an "OFF" position for break and extend operations
- Rigid rocker lug inlet



FTS200F With Pistol Grip
FTS200S **FTS200PF**
FTS200LF **FTS200PS**
 FTS200LPF
 FTS200LPS

- Rocker lug swivel inlet
- Quick change rear valve seat
- Stainless steel shut-off ball valve

MODEL	INLET	FLOW SETTINGS	PISTOL GRIP	FOG TEETH	LENGTH	WEIGHT
FT200F	1.5" NH (38 mm)	30, 60, 95, 125, 150, and 200 gpm @ 100 psi (110, 230, 360, 470, 570, and 750 l/min @ 7 bar)	No	Fixed Cut Metal	8.25" (21 cm)	3.7 lb (1.7 kg)
FT200S	1.5" NH (38 mm)	30, 60, 95, 125, 150, and 200 gpm @ 100 psi (110, 230, 360, 470, 570, and 750 l/min @ 7 bar)	No	Stainless Steel Spinning	8.25" (21 cm)	3.7 lb (1.7 kg)
FT200LF	1.5" NH (38 mm)	30, 60, 95, 125, 150, and 200 gpm @ 75 psi (110, 230, 360, 470, 570, and 750 l/min @ 5 bar)	No	Fixed Cut Metal	8.25" (21 cm)	3.7 lb (1.7 kg)
FTS200F	1.5" NH (38 mm)	30, 60, 95, 125, 150, and 200 gpm @ 100 psi (110, 230, 360, 470, 570, and 750 l/min @ 7 bar)	No	Fixed Cut Metal	10.18" (25.9 cm)	5.6 lb (2.5 kg)
FTS200S	1.5" NH (38 mm)	30, 60, 95, 125, 150, and 200 gpm @ 100 psi (110, 230, 360, 470, 570, and 750 l/min @ 7 bar)	No	Stainless Steel Spinning	10.18" (25.9 cm)	5.6 lb (2.5 kg)
FTS200LF	1.5" NH (38 mm)	30, 60, 95, 125, 150, and 200 gpm @ 75 psi (110, 230, 360, 470, 570, and 750 l/min @ 5 bar)	No	Fixed Cut Metal	10.18" (25.9 cm)	5.6 lb (2.5 kg)
FTS200PF	1.5" NH (38 mm)	30, 60, 95, 125, 150, and 200 gpm @ 100 psi (110, 230, 360, 470, 570, and 750 l/min @ 7 bar)	Yes	Fixed Cut Metal	10.18" (25.9 cm)	5.8 lb (2.6 kg)
FTS200PF52MM	52 mm Storz	30, 60, 95, 125, 150, and 200 gpm @ 100 psi (110, 230, 360, 470, 570, and 750 l/min @ 7 bar)	Yes	Fixed Cut Metal	12.18" (30.9 cm)	6.2 lb (2.8 kg)
FTS200PS	1.5" NH (38 mm)	30, 60, 95, 125, 150, and 200 gpm @ 100 psi (110, 230, 360, 470, 570, and 750 l/min @ 7 bar)	Yes	Stainless Steel Spinning	10.18" (25.9 cm)	5.8 lb (2.6 kg)
FTS200LPF	1.5" NH (38 mm)	30, 60, 95, 125, 150, and 200 gpm @ 75 psi (110, 230, 360, 470, 570, and 750 l/min @ 5 bar)	Yes	Fixed Cut Metal	10.18" (25.9 cm)	5.8 lb (2.6 kg)
FTS200LPS	1.5" NH (38 mm)	30, 60, 95, 125, 150, and 200 gpm @ 75 psi (110, 230, 360, 470, 570, and 750 l/min @ 5 bar)	Yes	Stainless Steel Spinning	10.18" (25.9 cm)	5.8 lb (2.6 kg)
FTS-EPPSF-BF	1.5" BSP (38 mm)	110-230-360-470-570-750 l/min @ 5 bar	Yes (Red)	Stainless Steel Spinning	10.18" (25.9 cm)	5.8 lb (2.6 kg)
FTS-EWPS-BIC	2" BICM (51 mm)	110-230-360-470-570-750 l/min @ 7 bar	Yes (Red)	Stainless Steel Spinning	12.20" (31.0 cm)	5.9 lb (2.7 kg)

SELECTABLE GALLONAGE

THUNDERFOG® 250 NOZZLE SERIES 1.5" (38 mm)



The ThunderFog 250 series selectable gallonage nozzle has selectable flows of 95-125-150-200-250 gpm (360-470-570-750-950 l/min). The 250 series is an excellent choice for 1.5" (38 mm) through 2.5" (64 mm) lines.

- NFPA Compliant
- All 100 psi (7 bar) nozzles are FM Approved
- All lightweight materials

- Hardcoat anodized aluminum
- Flush without shutting down
- Metal cut or stainless steel spinning fog teeth
- Accepts FJ-MX-FT multi-expansion foam attachment
- Metric models may vary from units shown. See chart below.



FT250F
FT250S

- Has an "OFF" position for break and extend operations
- Rigid rocker lug inlet



FTS250F **With Pistol Grip**
FTS250S **FTS250PF**
 FTS250PS

- Rocker lug swivel inlet
- Quick change rear valve seat
- Stainless steel shut-off ball valve

MODEL	INLET	FLOW SETTINGS	PISTOL GRIP	FOG TEETH	LENGTH	WEIGHT
FT250F	1.5" NH (38 mm)	95-125-150-200-250 gpm @ 100 psi (360-470-570-750-950 l/min @ 7 bar)	No	Fixed Cut Metal	8.25" (21 cm)	3.7 lb (1.7 kg)
FT250S	1.5" NH (38 mm)	95-125-150-200-250 gpm @ 100 psi (360-470-570-750-950 l/min @ 7 bar)	No	Stainless Steel Spinning	8.25" (21 cm)	3.7 lb (1.7 kg)
FTS250F	1.5" NH (38 mm)	95-125-150-200-250 gpm @ 100 psi (360-470-570-750-950 l/min @ 7 bar)	No	Fixed Cut Metal	10.18" (25.9 cm)	5.6 lb (2.5 kg)
FTS250S	1.5" NH (38 mm)	95-125-150-200-250 gpm @ 100 psi (360-470-570-750-950 l/min @ 7 bar)	No	Stainless Steel Spinning	10.18" (25.9 cm)	5.6 lb (2.5 kg)
FTS250PF	1.5" NH (38 mm)	95-125-150-200-250 gpm @ 100 psi (360-470-570-750-950 l/min @ 7 bar)	Yes	Fixed Cut Metal	10.18" (25.9 cm)	5.8 lb (2.6 kg)
FTS250PS	1.5" NH (38 mm)	95-125-150-200-250 gpm @ 100 psi (360-470-570-750-950 l/min @ 7 bar)	Yes	Stainless Steel Spinning	10.18" (25.9 cm)	5.8 lb (2.6 kg)



THUNDERFOG FOAM ATTACHMENTS

The full line of foam attachments can be found in the Foam Equipment section.

MODEL	FITS NOZZLE	FRONT END	DIAMETER	LENGTH	WEIGHT
FJ-MX-FT	ThunderFog	Polyethylene	8.6" (21.8 cm)	17.00" (43.2 cm)	5.2 lb (2.4 kg)
FJP-FT	ThunderFog	Flexible Rubber	5.2" (13.2 cm)	8.5" (21.6 cm)	2.6 lb (1.2 kg)

THUNDERFOG SERIES FOLDING PISTOL GRIP

The full description of folding pistol grips can be found in the Folding Pistol Grip section.


MODEL	WHEN ORDERED WITH A NEW NOZZLE	LENGTH	WEIGHT
HM792-JKIT	ThunderFog F and J - SERIES	8.50" (21.6 cm)	1.7 lb (0.8 kg)

SELECTABLE GALLONAGE

THUNDERFOG® 250 NOZZLE SERIES 2.5" (64 mm)



The ThunderFog 250 series of selectable gallonage nozzle has a selectable flow settings of 95, 125, 150, 200, and 250 gpm @ 100 psi (360-470-570-750-950 l/min @ 7 bar). The 250 series is an excellent choice for 2.5" or 3" (64 or 76 mm) hose lines.



JTS250F
JTS250S
With Pistol Grip
JTS250PF
JTS250PS
QF1000


- Rocker lug swivel inlet
- Quick change rear valve seat
- Stainless steel shut-off ball valve

- NFPA Compliant
- FM Approved
- All lightweight materials
- Hardcoat anodized aluminum
- Flush without shutting down
- Metal cut or stainless steel spinning fog teeth
- Accepts FJ-MX-FT multi-expansion foam attachment



JT250F
JT250S

- Has an "OFF" position for break and extend operations
- Rigid rocker lug inlet



JTS250PPF
JTS250PPS
QF1000-PA

- Rubber coated playpipe handles
- Nozzle is attached to valve and is not removable

MODEL	INLET	FLOW SETTINGS	PISTOL GRIP	FOG TEETH	LENGTH	WEIGHT
JT250F	2.5" NH (64 mm)	95, 125, 150, 200, and 250 gpm @ 100 psi (360, 470, 570, 750, and 950 l/min @ 7 bar)	No	Fixed Cut Metal	9.37" (23.8 cm)	4.7 lb (2.1 kg)
JT250S	2.5" NH (64 mm)	95, 125, 150, 200, and 250 gpm @ 100 psi (360, 470, 570, 750, and 950 l/min @ 7 bar)	No	Stainless Steel Spinning	9.37" (23.8 cm)	4.7 lb (2.1 kg)
JTS250F	2.5" NH (64 mm)	95, 125, 150, 200, and 250 gpm @ 100 psi (360, 470, 570, 750, and 950 l/min @ 7 bar)	No	Fixed Cut Metal	11.40" (29.0 cm)	6.0 lb (2.7 kg)
JTS250S	2.5" NH (64 mm)	95, 125, 150, 200, and 250 gpm @ 100 psi (360, 470, 570, 750, and 950 l/min @ 7 bar)	No	Stainless Steel Spinning	11.40" (29.0 cm)	6.0 lb (2.7 kg)
JTS250PF	2.5" NH (64 mm)	95, 125, 150, 200, and 250 gpm @ 100 psi (360, 470, 570, 750, and 950 l/min @ 7 bar)	Yes	Fixed Cut Metal	11.40" (29.0 cm)	6.3 lb (2.9 kg)
JTS250PS	2.5" NH (64 mm)	95, 125, 150, 200, and 250 gpm @ 100 psi (360, 470, 570, 750, and 950 l/min @ 7 bar)	Yes	Stainless Steel Spinning	11.40" (29.0 cm)	6.3 lb (2.9 kg)
JTS250PPF	2.5" NH (64 mm)	95, 125, 150, 200, and 250 gpm @ 100 psi (360, 470, 570, 750, and 950 l/min @ 7 bar)	Playpipe	Fixed Cut Metal	15.40" (39.1 cm)	9.2 lb (4.2 kg)
JTS250PPS	2.5" NH (64 mm)	95, 125, 150, 200, and 250 gpm @ 100 psi (360, 470, 570, 750, and 950 l/min @ 7 bar)	Playpipe	Stainless Steel Spinning	15.40" (39.1 cm)	9.2 lb (4.2 kg)
QF1000	2.5"BSP (64mm)	85-500-600-800-1000 l/min @ 6 bar	Yes	Fixed Cut Metal	11.2" (28.4 cm)	6.6 lb (3.0 kg)
QF1000-PA	2.5"BSP (64mm)	285-500-600-800-1000 l/min @ 6 bar	Playpipe	Fixed Cut Metal	15.5" (39.4 cm)	9.5 lb (4.3 kg)



THUNDERFOG FOAM ATTACHMENTS

The full line of foam attachments can be found in the Foam Equipment section.

MODEL	FITS NOZZLE	FRONT END	DIAMETER	LENGTH	WEIGHT
FJ-MX-FT	ThunderFog	Polyethylene	8.6" (21.8 cm)	17.00" (43.2 cm)	5.2 lb (2.4 kg)
FJP-FT	ThunderFog	Flexible Rubber	5.2" (13.2 cm)	8.5" (21.6 cm)	2.6 lb (1.2 kg)

THUNDERFOG SERIES FOLDING PISTOL GRIP

The full description of folding pistol grips can be found in the Folding Pistol Grip section.

MODEL	WHEN ORDERED WITH A NEW NOZZLE	LENGTH	WEIGHT
HM792-JKIT	ThunderFog J - SERIES	8.50" (21.6 cm)	1.7 lb (0.8 kg)

AUTOMATIC

ULTIMATIC™ 125 NOZZLE SERIES 1.0" (25 mm)

The TFT ULTIMATIC 125 has an unprecedented flow range of 10-125 gpm @ 100 psi (40-500 l/min @ 7 bar) or 10-100 gpm @ 75 psi (40-400 l/min @ 5 bar). The Ultimatic 125 series is an outstanding performer for 1" (25 mm) as well as 1.5" (38 mm) hose.

This nozzle performs well for high pressure applications, on .75", 1.0" and 1.25" (19 mm, 25 mm and 32 mm) hose, up to 800 psi (55 bar).

- All lightweight materials
- Hardcoat anodized aluminum
- Flush without shutting down
- Molded rubber bumper with "power fog" teeth
- "Gasket Grabber" inlet screen
- Accepts FJ-U or FJ-LX-U low expansion or FJ-UMX multi-expansion foam attachment

B-TO
BL-TO



- 1.0" (25 mm) Knurled rigid thread inlet
- Tip does not shut-off and must be used with a separate valve

B-BH
BL-BH
With Pistol Grip
B-BGH
BL-BGH



- 1.0" NH (25 mm) full-time swivel knurled coupling
- Stainless steel slide valve

MODEL	INLET	FLOW RANGE	PISTOL GRIP	FOG TEETH	LENGTH	WEIGHT
B-TO	1.0" NH (25 mm)	10-125 gpm @ 100 psi (40-500 l/min @ 7 bar)	No	Fixed Rubber	7.20" (18.3 cm)	1.5 lb (0.7 kg)
BL-TO	1.0" NH (25 mm)	10-100 gpm @ 75 psi (40-400 l/min @ 5 bar)	No	Fixed Rubber	7.20" (18.3 cm)	1.5 lb (0.7 kg)
B-BH	1.0" NH (25 mm)	10-125 gpm @ 100 psi (40-500 l/min @ 7 bar)	No	Fixed Rubber	9.00" (22.9 cm)	2.1 lb (1.0 kg)
BL-BH	1.0" NH (25 mm)	10-100 gpm @ 75 psi (40-400 l/min @ 5 bar)	No	Fixed Rubber	9.00" (22.9 cm)	2.1 lb (1.0 kg)
B-BGH	1.0" NH (25 mm)	10-125 gpm @ 100 psi (40-500 l/min @ 7 bar)	Yes	Fixed Rubber	9.00" (22.9 cm)	2.6 lb (1.2 kg)
B-BGH-BD	1.0"BSP (25 mm)	10-125 gpm @ 100 psi (40-500 l/min @ 7 bar)	Yes	Fixed Rubber	9.00" (22.9 cm)	2.6 lb (1.2 kg)
BL-BGH	1.0" NH (25 mm)	10-100 gpm @ 75 psi (40-400 l/min @ 5 bar)	Yes	Fixed Rubber	9.00" (22.9 cm)	2.6 lb (1.2 kg)



ULTIMATIC FOAM ATTACHMENTS

The full line of foam attachments can be found in the Foam Equipment section.

MODEL	FITS NOZZLE	FRONT END	DIAMETER	LENGTH	WEIGHT
FJ-U	Ultimatic	Flexible Rubber	3.6" (9.1 cm)	6.50" (16.5 cm)	1.2 lb (0.5 kg)
FJ-LX-U	Ultimatic	Polyethylene	5.8" (14.6 cm)	21.70" (55.1 cm)	3.0 lb (1.4 kg)
FJ-UMX	Ultimatic	Polypropylene	7.4" (18.8 cm)	15.25" (38.7 cm)	3.2 lb (1.5 kg)

ULTIMATIC SERIES FOLDING PISTOL GRIP

The full description of folding pistol grips can be found in the Folding Pistol Grip section.

MODEL	WHEN ORDERED WITH A NEW NOZZLE	LENGTH	WEIGHT
HM792-UKIT	ULTIMATIC SERIES	8.50" (21.6 cm)	1.7 lb (0.8 kg)

AUTOMATIC

ULTIMATIC™ 125 NOZZLE SERIES 1.5" (38 mm)

The TFT ULTIMATIC 125 has an unprecedented flow range of 10-125 gpm @ 100 psi (40-500 l/min @ 7 bar) or 10-100 gpm @ 75 psi (40-400 l/min @ 5 bar). The Ultimatic series is an outstanding performer for 1.5" (38 mm) hose.

This nozzle performs well for high pressure applications, on .75", 1.0" and 1.25" (19 mm, 25 mm and 32 mm) hose, up to 800 psi (55 bar).

- All lightweight materials
- Hardcoat anodized aluminum
- Flush without shutting down
- Molded rubber bumper with "power fog" teeth
- "Gasket Grabber" inlet screen
- Accepts FJ-U or FJ-LX-U low expansion or FJ-UMX multi-expansion foam attachment



BTO-125

- 1.5" (38 mm) rigid rocker lug coupling
- Tip does not shut-off and must be used with a separate valve.



BH-125
With Pistol Grip
BGH-125
BGHL-125

- 1.5" NH (38 mm) full-time swivel rocker lug coupling
- Stainless steel slide valve

MODEL	INLET	FLOW RANGE	PISTOL GRIP	FOG TEETH	LENGTH	WEIGHT
BTO-125	1.5" NH (38 mm)	10-125 gpm @ 100 psi (40-500 l/min @ 7 bar)	No	Fixed Rubber	8.50" (21.6 cm)	1.8 lb (0.7 kg)
BH-125	1.5" NH (38 mm)	10-125 gpm @ 100 psi (40-500 l/min @ 7 bar)	No	Fixed Rubber	10.50" (26.7 cm)	3.0 lb (1.4 kg)
BGH-125	1.5" NH (38 mm)	10-125 gpm @ 100 psi (40-500 l/min @ 7 bar)	Yes	Fixed Rubber	10.50" (26.7 cm)	3.0 lb (1.4 kg)
BGH-125-BF	1.5"BSP (38 mm)	10-125 gpm @ 100 psi (40-500 l/min @ 7 bar)	Yes	Fixed Rubber	10.50" (26.7 cm)	3.0 lb (1.4 kg)
BGHL-125	1.5" NH (38 mm)	10-100 gpm @ 75 psi (40-400 l/min @ 5 bar)	Yes	Fixed Rubber	10.50" (26.7 cm)	3.0 lb (1.4 kg)



ULTIMATIC FOAM ATTACHMENTS

The full line of foam attachments can be found in the Foam Equipment section.

MODEL	FITS NOZZLE	FRONT END	DIAMETER	LENGTH	WEIGHT
FJ-U	Ultimatic	Flexible Rubber	3.6" (9.1 cm)	6.50" (16.5 cm)	1.2 lb (0.5 kg)
FJ-LX-U	Ultimatic	Polyethylene	5.8" (14.6 cm)	21.70" (55.1 cm)	3.0 lb (1.4 kg)
FJ-UMX	Ultimatic	Polypropylene	7.4" (18.8 cm)	15.25" (38.7 cm)	3.2 lb (1.5 kg)

ULTIMATIC SERIES FOLDING PISTOL GRIP

The full description of folding pistol grips can be found in the Folding Pistol Grip section.

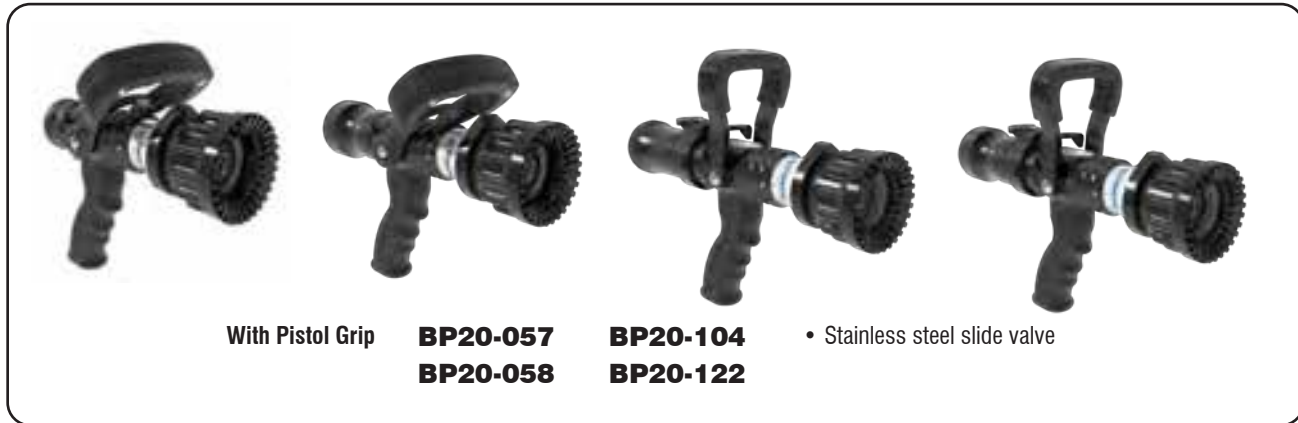
MODEL	WHEN ORDERED WITH A NEW NOZZLE	LENGTH	WEIGHT
HM792-UKIT	ULTIMATIC SERIES	8.50" (21.6 cm)	1.7 lb (0.8 kg)

AUTOMATIC
ULTIMATIC™ METRIC NOZZLE SERIES

The TFT ULTIMATIC has an unprecedented flow range of 40-500 l/min @ 7 bar or 40-400 l/min @ 5 bar. The Ultimatic series is an outstanding performer for 1.0", 1.5" and 2.0" (25, 38, 52 mm) hose.

This nozzle performs well for high pressure applications, up to 800 psi (55 bar).

- All lightweight materials
- Hardcoat anodized aluminum
- Flush without shutting down
- Molded rubber bumper with "power fog" teeth
- "Gasket Grabber" inlet screen
- Accepts FJ-U or FJ-LX-U low expansion or FJ-UMX multi-expansion foam attachment



MODEL	INLET	FLOW RANGE	PISTOL GRIP	FOG TEETH	LENGTH	WEIGHT	EN CERTIFICATION
BP20-057	1.0" BSPF (25 mm)	50-220 l/min @ 5 bar flashover	Yes	Fixed Rubber	9.00" (23.0 cm)	2.6 lb (1.2 kg)	15182-4 Type 4
BP20-058	1.5" BSPF (38 mm)	150-500 l/min @ 7 bar flashover	Yes	Fixed Rubber	10.4" (26.4 cm)	3.0 lb (1.4 kg)	15182-2 Type 4
BP20-104	2" BSPM (51 mm)	150-400 l/min @ 5 bar w/flow stop	Yes	Fixed Rubber	12.3" (31.2 cm)	3.7 lb (1.7 kg)	15182-2 Type 4
BP20-122	1.5" BSPF (38 mm)	150-400 l/min @ 5 bar w/flow stop	Yes	Fixed Rubber	12.3" (31.2 cm)	3.7 lb (1.7 kg)	15182-2 Type 4



ULTIMATIC FOAM ATTACHMENTS

The full line of foam attachments can be found in the Foam Equipment section.

MODEL	FITS NOZZLE	FRONT END	DIAMETER	LENGTH	WEIGHT
FJ-U	Ultimatic	Flexible Rubber	3.6" (9.1 cm)	6.50" (16.5 cm)	1.2 lb (0.5 kg)
FJ-LX-U	Ultimatic	Polyethylene	5.8" (14.6 cm)	21.70" (55.1 cm)	3.0 lb (1.4 kg)
FJ-UMX	Ultimatic	Polypropylene	7.4" (18.8 cm)	15.25" (38.7 cm)	3.2 lb (1.5 kg)

ULTIMATIC SERIES FOLDING PISTOL GRIP

The full description of folding pistol grips can be found in the Folding Pistol Grip section.

MODEL	WHEN ORDERED WITH A NEW NOZZLE	LENGTH	WEIGHT
HM792-UKIT	ULTIMATIC SERIES	8.50" (21.6 cm)	1.7 lb (0.8 kg)

AUTOMATIC

ULTIMATIC™ NOZZLE SERIES WITH IMPULSE™ TRIGGER VALVE SYSTEM 1" (25 mm) and 1.5" (38 mm)

The TFT ULTIMATIC With Impulse™ Trigger Valve System has wide flow range of 10-125 gpm @ 100 psi (40-500 l/min @ 7 bar), or 10-100 gpm @ 75 psi (40-400 l/min @ 5 bar). The compact size, and reduced weight making this automatic nozzle an outstanding performer for 0.75" (19 mm), 1" (25 mm) or 1.5" (38 mm) hose.

- Hardcoat anodized aluminum
- Flush without shutting down
- Molded rubber bumper with "power fog" teeth
- Trigger operated slide valve with detent flow positions and lock
- Accepts FJ-U or FJ-LX-U low expansion or FJ-UMX multi-expansion foam attachment



**B-BGT
BH-BGT*
BL-BGT
BP20-098T-BF**

- 1.0" (25 mm) knurled full time swivel inlet
- Trigger Valve System
- Pistol grips available with NFPA color overlays



**BGT-125
BGTL-125
BP20-057T**

- 1.5" (38 mm) full time swivel inlet
- Trigger Valve System
- Pistol grips available with NFPA color overlays

MODEL	INLET	FLOW RANGE	PISTOL GRIP	FOG TEETH	LENGTH	WEIGHT
B-BGT	1.0" (25 mm)	10-125 gpm @ 100 psi (40-500 l/min @ 7 bar)	Yes	Fixed Rubber	11.25" (28.6 cm)	3.5 lb (1.6 kg)
BH-BGT	1.0" (25 mm)	10-125 gpm @ 100 psi (40-500 l/min @ 7 bar) *800 psi (55 bar) Maximum shut pressure	Yes	Fixed Rubber	11.25" (28.6 cm)	3.5 lb (1.6 kg)
BL-BGT	1.0" (25 mm)	10-100 gpm @ 75 psi (40-400 l/min @ 5 bar)	Yes	Fixed Rubber	11.25" (28.6 cm)	3.5 lb (1.6 kg)
BGT-125	1.5" (38 mm)	10-125 gpm @ 100 psi (40-500 l/min @ 7 bar)	Yes	Fixed Rubber	11.25" (28.6 cm)	3.5 lb (1.6 kg)
BP20-057T	1.0" BSPF (25 mm) extended	50-220 l/min @ 5 bar flashover	Yes	Fixed Rubber	11.3" (28.8 mm)	3.5 lb (1.6 kg)
BP20-098T-BF	1.5" BSPF (38 mm) knurled, extended	40-200 l/min @ 3.5 bar flashover	Yes	Fixed Rubber	13.0" (33.0 mm)	3.5 lb (1.6 kg)

ULTIMATIC FOAM ATTACHMENTS

The full line of foam attachments can be found in the Foam Equipment section.



MODEL	FITS NOZZLE	FRONT END	DIAMETER	LENGTH	WEIGHT
FJ-U	Ultimatic	Flexible Rubber	3.6" (9.1 cm)	6.50" (16.5 cm)	1.2 lb (0.5 kg)
FJ-LX-U	Ultimatic	Polyethylene	5.8" (14.6 cm)	21.70" (55.1 cm)	3.0 lb (1.4 kg)
FJ-UMX	Ultimatic	Polypropylene	7.4" (18.8 cm)	15.25" (38.7 cm)	3.2 lb (1.5 kg)

AUTOMATIC

MID-MATIC™ NOZZLE SERIES 1.5" (38 mm)



With a wide flow range of 70-200 gpm (260-760 l/min), the MID-MATIC can be used on 1.5" (38 mm), 1.75" (44 mm) and 2" (51 mm) hoses and has operational pressure choices of 100, or 75 psi (7, or 5 bar). MID-MATIC models are fully NFPA compliant, and are available in tip-only/ball shut-off configuration for break-apart operations, or with stainless steel slide valve, and optional colored pistol grip and handle covers.

- Hardcoat anodized aluminum
- Flush without shutting down
- Molded rubber bumper with "power fog" or stainless steel spinning fog teeth
- Stainless steel slide valve with detent flow control
- "Gasket Grabber" inlet screen
- Accepts FJ-LX-HM or FJ-HM low expansion or FJ-MX-HM multi-expansion foam attachment



HM-TO
HM-TOS
HML-TO

- 1.5" (38 mm) Rigid rocker lug thread inlet
- Tip does not shut-off and must be used with a separate valve



HM-V
HM-VS

HML-V
HML-VS

With Pistol Grip
HM-VPGI
HM-VPGI-BIC*
HM-VPGIS
HML-VPGI
HML-VPGIS



- 1.5" NH (38 mm) full-time swivel rocker lug coupling
- Stainless steel slide valve
- * 2.5 BIC (64 mm) swivel male inlet

AUTOMATIC**MID-MATIC™ NOZZLE SERIES 1.5" (38 mm)**

MODEL	INLET	OPERATING PRESSURE	PISTOL GRIP	FOG TEETH	LENGTH	WEIGHT
HM-TO	1.5" NH (38 mm)	100 psi (7 bar)	No	Fixed Rubber	7.20" (18.3 cm)	2.3 lb (1.0 kg)
HM-TOS	1.5" NH (38 mm)	100 psi (7 bar)	No	Stainless Steel Spinning	7.20" (18.3 cm)	2.3 lb (1.0 kg)
HML-TO	1.5" NH (38 mm)	75 psi (5 bar)	No	Fixed Rubber	7.20" (18.3 cm)	2.3 lb (1.0 kg)

MODEL	INLET	OPERATING PRESSURE	PISTOL GRIP	FOG TEETH	LENGTH	WEIGHT
HM-V	1.5" NH (38 mm)	100 psi (7 bar)	No	Fixed Rubber	11.50" (29.2 cm)	4.5 lb (2.0 kg)
HM-VS	1.5" NH (38 mm)	100 psi (7 bar)	No	Stainless Steel Spinning	11.50" (29.2 cm)	4.5 lb (2.0 kg)
HML-V	1.5" NH (38 mm)	75 psi (5 bar)	No	Fixed Rubber	11.50" (29.2 cm)	4.5 lb (2.0 kg)
HML-VS	1.5" NH (38 mm)	75 psi (5 bar)	No	Stainless Steel Spinning	11.50" (29.2 cm)	4.5 lb (2.0 kg)
HM-VPGI	1.5" NH (38 mm)	100 psi (7 bar)	Yes	Fixed Rubber	11.50" (29.2 cm)	4.8 lb (2.2 kg)
HM-VPGI-BIC	2.5" BICM (64 mm)	100 psi (7 bar)	Yes	Fixed Rubber	15.1" (38.4 cm)	6.0 lb (2.7 kg)
HM-VPGIS	1.5" NH (38 mm)	100 psi (7 bar)	Yes	Stainless Steel Spinning	11.50" (29.2 cm)	4.8 lb (2.2 kg)
HML-VPGI	1.5" NH (38 mm)	75 psi (5 bar)	Yes	Fixed Rubber	11.50" (29.2 cm)	4.8 lb (2.2 kg)
HML-VPGIS	1.5" NH (38 mm)	75 psi (5 bar)	Yes	Stainless Steel Spinning	11.50" (29.2 cm)	4.8 lb (2.2 kg)

**MID-MATIC FOAM ATTACHMENTS**

The full line of foam attachments can be found in the Foam Equipment section.

MODEL	FITS NOZZLE	FRONT END	DIAMETER	LENGTH	WEIGHT
FJ-HM	Mid-Matic	Flexible Rubber	5.2" (13.2 cm)	8.50"(21.6 cm)	2.6 lb(1.2 kg)
FJ-LX-HM	Mid-Matic	Polyethylene	5.8" (14.6 cm)	20.20"(51.3 cm)	3.0 lb(1.4 kg)
FJ-MX-HM	Mid-Matic	Polypropylene	7.4"(18.8 cm)	15.40"(39.1 cm)	3.2 lb(1.5 kg)

MID-MATIC SERIES FOLDING PISTOL GRIP


The full description of folding pistol grips can be found in the Folding Pistol Grip section.

MODEL	WHEN ORDERED WITH A NEW NOZZLE	LENGTH	WEIGHT
HM792-HMKIT	MIDMATIC - SERIES	8.50" (21.6 cm)	1.7 lb (0.8 kg)

AUTOMATIC
HANDLINE™ NOZZLE SERIES 1.5" (38 mm)

With a wide flow range of 95-300 gpm @ 100 psi (360-1150 l/min @ 7 bar) or the low pressure version 95-250 gpm @ 75 psi (360-950 l/min @ 5 bar) the Handline series is an excellent choice for 1.5", 1.75", and 2.0" (38 mm, 44 mm and 51 mm) attack lines.

- Lightweight hardcoat anodized aluminum
- Flush without shutting down
- Molded rubber bumper with "power fog" teeth
- "Gasket Grabber" inlet screen
- Accepts FJ-H low expansion or FJ-HMX multi-expansion foam attachment



H-TO
HL-TO

- 1.5" (38 mm) Rigid rocker lug inlet
- Tip does not shut-off and must be used with a separate valve



H-V With Pistol Grip
HL-V **H-VPGI**
HL-VPGI

- 1.5" NH (38 mm) full-time swivel rocker lug coupling
- Stainless Steel slide valve with detent flow control
- Pistol grip mounted below the valve

MODEL	INLET	OPERATING PRESSURE	PISTOL GRIP	FOG TEETH	LENGTH	WEIGHT
H-TO	1.5" NH (38 mm)	100 psi (7 bar)	No	Fixed Rubber	9.75" (24.8 cm)	4.4 lb (2.0 kg)
HL-TO	1.5" NH (38 mm)	75 psi (5 bar)	No	Fixed Rubber	9.75" (24.8 cm)	4.4 lb (2.0 kg)
H-V	1.5" NH (38 mm)	100 psi (7 bar)	No	Fixed Rubber	13.00" (33.0 cm)	6.8 lb (3.1 kg)
HL-V	1.5" NH (38 mm)	75 psi (5 bar)	No	Fixed Rubber	13.00" (33.0 cm)	6.8 lb (3.1 kg)
H-VPGI	1.5" NH (38 mm)	100 psi (7 bar)	Yes	Fixed Rubber	13.00" (33.0 cm)	7.0 lb (3.2 kg)
HL-VPGI	1.5" NH (38 mm)	75 psi (5 bar)	Yes	Fixed Rubber	13.00" (33.0 cm)	7.0 lb (3.2 kg)



HANDLINE FOAM ATTACHMENTS

The full line of foam attachments can be found in the Foam Equipment section.

MODEL	FITS NOZZLE	FRONT END	DIAMETER	LENGTH	WEIGHT
FJ-H	Handline	Flexible Rubber	5.2" (13.2 cm)	8.50" (21.6 cm)	2.6 lb (1.2 kg)
FJ-HMX	Handline	Polyethylene	8.6" (21.8 cm)	15.62" (39.7 cm)	3.1 lb (1.4 kg)

HANDLINE SERIES FOLDING PISTOL GRIP

The full description of folding pistol grips can be found in the Folding Pistol Grip section.

MODEL	WHEN ORDERED WITH A NEW NOZZLE	LENGTH	WEIGHT
HM792-HKIT	HANDLINE - SERIES	8.50" (21.6 cm)	1.7 lb (0.8 kg)

AUTOMATIC

HANDLINE™ NOZZLE SERIES 2.5" (64 mm)

With a wide flow range of 95-300 gpm @ 100 psi (360-1150 l/min @ 7 bar) or the low pressure version 95-250 gpm @ 75 psi (360-950 l/min @ 5 bar) allows the Handline to be used on many hose sizes, and this series is an excellent choice for 2.5" (64 mm) and 3" (76 mm) attack lines.

- Lightweight hardcoat anodized aluminum
- Flush without shutting down
- Molded rubber bumper with "power fog" teeth
- "Gasket Grabber" inlet screen
- Accepts FJ-H low expansion or FJ-HMX multi-expansion foam attachment



H-2TO
HL-2TO

- 2.5" (64 mm) Rigid rocker lug inlet
- Tip does not shut-off and must be used with a separate valve



H-2V **With Pistol Grip**
HL-2V **H-2VPGI**
 HL-2VPGI

- 2.5" NH (64 mm) full-time swivel rocker lug coupling
- Stainless Steel slide valve with detent flow control
- Pistol grip mounted below the valve

MODEL	INLET	OPERATING PRESSURE	PISTOL GRIP	FOG TEETH	LENGTH	WEIGHT
H-2TO	2.5" NH (64 mm)	100 psi (7 bar)	No	Fixed Rubber	10.25" (26.0 cm)	5.0 lb (2.3 kg)
HL-2TO	2.5" NH (64 mm)	75 psi (5 bar)	No	Fixed Rubber	10.25" (26.0 cm)	5.0 lb (2.3 kg)
H-2V	2.5" NH (64 mm)	100 psi (7 bar)	No	Fixed Rubber	13.50" (34.3 cm)	6.8 lb (3.1 kg)
HL-2V	2.5" NH (64 mm)	75 psi (5 bar)	No	Fixed Rubber	13.50" (34.3 cm)	6.8 lb (3.1 kg)
H-2VPGI	2.5" NH (64 mm)	100 psi (7 bar)	Yes	Fixed Rubber	13.50" (34.3 cm)	7.0 lb (3.2 kg)
HL-2VPGI	2.5" NH (64 mm)	75 psi (5 bar)	Yes	Fixed Rubber	13.50" (34.3 cm)	7.0 lb (3.2 kg)



HANDLINE FOAM ATTACHMENTS

The full line of foam attachments can be found in the Foam Equipment section.

MODEL	FITS NOZZLE	FRONT END	DIAMETER	LENGTH	WEIGHT
FJ-H	Handline	Flexible Rubber	5.2" (13.2 cm)	8.50" (21.6 cm)	2.6 lb (1.2 kg)
FJ-HMX	Handline	Polyethylene	8.6" (21.8 cm)	15.62" (39.7 cm)	3.1 lb (1.4 kg)

HANDLINE SERIES FOLDING PISTOL GRIP

The full description of folding pistol grips can be found in the Folding Pistol Grip section.

MODEL	WHEN ORDERED WITH A NEW NOZZLE	LENGTH	WEIGHT
HM792-HKIT	HANDLINE - SERIES	8.50" (21.6 cm)	1.7 lb (0.8 kg)

AUTOMATIC

MID-FORCE™ DUAL PRESSURE NOZZLE SERIES 1.5" (38 mm)

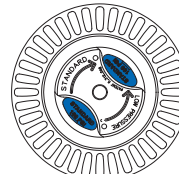
With a wide flow range of 70-200 gpm (260-760 l/min) @ 100/55 psi (7/4 bar) or the low pressure version of 75/45 psi (5/3 bar) the Mid-Force series can be used on 1.5" (38 mm), 1.75" (44 mm) and 2" (51 mm) hose. This nozzle is equipped with a low pressure override which allows the nozzle to achieve greater flows at lower nozzle pressures.

- Lightweight hardcoat anodized aluminum
- Flush without shutting down
- Molded rubber bumper with "power fog" or stainless steel spinning fog teeth
- "Gasket Grabber" inlet screen
- Accepts FJ-LX-HM or FJ-HM low expansion or FJ-MX-HM multi-expansion foam attachment

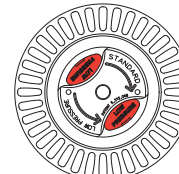


**HMD-TO
HMD-TOS
HMDL-TO**

- 1.5" (38 mm) rigid rocker lug thread inlet
- Tip does not shut-off and must be used with a separate valve



Knob In Standard Pressure Mode



Knob In Low Pressure Mode



**HMD-V
HMD-VS**

**HMDL-V
HMDL-VS**

**With Pistol Grip
HMD-VPGI
HMD-VPGIS
HMDL-VPGI
HMDL-VPGIS**

- 1.5" (38 mm) full-time swivel rocker lug thread inlet
- Stainless steel slide valve with detent flow control

AUTOMATIC**MID-FORCE™ DUAL PRESSURE NOZZLE SERIES 1.5" (38 mm)**

MODEL	INLET	OPERATING PRESSURE	PISTOL GRIP	FOG TEETH	LENGTH	WEIGHT
HMD-TO	1.5" NH (38 mm)	100/55 psi (7/4 bar)	No	Fixed Rubber	7.20" (18.3 cm)	2.5 lb (1.1 kg)
HMD-TOS	1.5" NH (38 mm)	100/55 psi (7/4 bar)	No	Stainless Steel Spinning	7.20" (18.3 cm)	2.5 lb (1.1 kg)
HMDL-TO	1.5" NH (38 mm)	75/45 psi (5/3 bar)	No	Fixed Rubber	7.20" (18.3 cm)	2.5 lb (1.1 kg)
HMD-V	1.5" NH (38 mm)	100/55 psi (7/4 bar)	No	Fixed Rubber	11.50" (29.2 cm)	4.5 lb (2.0 cm)
HMD-VS	1.5" NH (38 mm)	100/55 psi (7/4 bar)	No	Stainless Steel Spinning	11.50" (29.2 cm)	4.5 lb (2.0 cm)
HMDL-V	1.5" NH (38 mm)	75/45 psi (5/3 bar)	No	Fixed Rubber	11.50" (29.2 cm)	4.5 lb (2.0 cm)
HMDL-VS	1.5" NH (38 mm)	75/45 psi (5/3 bar)	No	Stainless Steel Spinning	11.50" (29.2 cm)	4.5 lb (2.0 cm)
HMD-VPGI	1.5" NH (38 mm)	100/55 psi (7/4 bar)	Yes	Fixed Rubber	11.50" (29.2 cm)	4.9 lb (2.2 kg)
HMD-VPGIS	1.5" NH (38 mm)	100/55 psi (7/4 bar)	Yes	Stainless Steel Spinning	11.50" (29.2 cm)	4.9 lb (2.2 kg)
HMDL-VPGI	1.5" NH (38 mm)	75/45 psi (5/3 bar)	Yes	Fixed Rubber	11.50" (29.2 cm)	4.9 lb (2.2 kg)
HMDL-VPGIS	1.5" NH (38 mm)	75/45 psi (5/3 bar)	Yes	Stainless Steel Spinning	11.50" (29.2 cm)	4.9 lb (2.2 kg)

**MID-FORCE FOAM ATTACHMENTS**

The full line of foam attachments can be found in the Foam Equipment section.

MODEL	FITS NOZZLE	FRONT END	DIAMETER	LENGTH	WEIGHT
FJ-HM	Mid-Force	Flexible Rubber	5.2" (13.2 cm)	8.50" (21.6 cm)	2.6 lb (1.2 kg)
FJ-LX-HM	Mid-Force	Polyethylene	5.8" (14.6 cm)	20.20" (51.3 cm)	3.0 lb (1.4 kg)
FJ-MX-HM	Mid-Force	Polypropylene	7.4" (18.8 cm)	15.40" (39.1 cm)	3.2 lb (1.5 kg)

MID-FORCE SERIES FOLDING PISTOL GRIP

The full description of folding pistol grips can be found in the Folding Pistol Grip section.

MODEL	WHEN ORDERED WITH A NEW NOZZLE	LENGTH	WEIGHT
HM792-HMKIT	MID-FORCE - SERIES	8.50" (21.6 cm)	1.7 lb (0.8 kg)

AUTOMATIC

CAFS-FORCE™ 1 and CAFS-FORCE-2 1.5" (38 mm) and STRAIGHT TIP NOZZLE SERIES

**NFPA
COMPLIANT**

The ONLY automatic nozzle designed specifically for Compressed Air Foam (CAFS) and water applications, CAFS-Force is engineered to provide optimal foam stream performance, as well as offering low pressure nozzle operations when using water alone. The extruded aluminum alloy body

shall be hardcoat anodized and nozzle shall have an automatic dual-pressure control that may be switched from standard low pressure (water application) to CAFS mode.



HMDC-TO

- CAFS-FORCE 1
- 1.5" NH (38 mm) rigid rocker lug coupling
- Molded rubber bumper with "power fog" teeth or stainless steel spinning teeth
- Flush without shutting down
- Requires a ball valve shut-off
- NFPA 1964 Compliant



HDC-TO

- CAFS-FORCE 2
- 1.5" NH (38 mm) rigid rocker lug coupling
- Molded rubber bumper with "power fog" teeth
- Flush without shutting down
- Requires a ball valve shut-off
- NFPA 1964 Compliant



FSS13-CAFS

- 1.5" NH (38 mm) swivel rocker lug coupling
- Hardcoat anodized aluminum
- Designed for compressed air foam (CAFS) application
- Tip is also suitable for water
- 1-3/8" (35 mm) orifice

MODEL	INLET	FLOW SETTINGS	COUPLING	LENGTH	WEIGHT
HMDC-TO	1.5" NH (38 mm)	70 - 200 gpm @ 75/45 psi (265 - 760 l/min @ 5/3 bar)	Rigid Rocker Lug	9.00" (22.9 cm)	6.6 lb (3.0 kg)
HDC-TO	1.5" NH (38 mm)	95 - 250 gpm @ 100/75 psi (360 - 950 l/min @ 5/3 bar)	Rigid Rocker Lug	9.75" (24.8 cm)	8.2 lb (3.7 kg)
FSS13-CAFS	1.5" NH (38 mm)	1-3/8" (35 mm) smooth tapered tip	Rocker Lug Swivel	10.45" (26.5 cm)	1.7 lb (0.8 kg)

AUTOMATIC

DUAL-FORCE® DUAL PRESSURE NOZZLE SERIES 1.5" (38 mm)

The Dual-Force is all conventional handlines in one. With a wide flow range of 95-300 gpm @ 100/55 psi (360-1150 l/min @ 7/4 bar) or the low pressure version of 95-250 gpm @ 75/45 psi (360-950 l/min @ 5/3 bar) the Dual-Force series is an excellent choice for 1.5", 1.75", and 2.0" (38 mm, 44 mm and 51 mm) attack lines. This nozzle is equipped with a low pressure override knob which allows the nozzle to achieve greater flows at lower nozzle pressures.



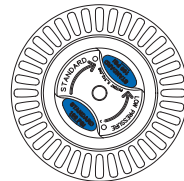
HD-V **With Pistol Grip**
HDL-V **HD-VPGI**
 HDL-VPGI

- 1.5" NH (38 mm) full-time swivel rocker lug coupling
- Stainless Steel slide valve with detent flow control
- Pistol grip mounted below the valve
- "Gasket Grabber" inlet screen

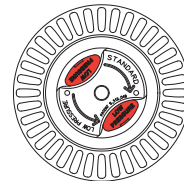


HD-TO
HDL-TO

- 1.5" (38 mm) rigid rocker lug coupling
- Tip does not shut-off and must be used with a separate valve



Knob In Standard Pressure Mode



Knob In Low Pressure Mode

MODEL	INLET	OPERATING PRESSURE	PISTOL GRIP	FOG TEETH	LENGTH	WEIGHT
HD-TO	1.5" NH (38 mm)	100/55 psi (7/4 bar)	No	Fixed Rubber	13.00" (33.0 cm)	7.0 lb (3.2 kg)
HDL-TO	1.5" NH (38 mm)	100/55 psi (7/4 bar)	No	Fixed Rubber	13.00" (33.0 cm)	7.0 lb (3.2 kg)
HD-V	1.5" NH (38 mm)	100/55 psi (7/4 bar)	No	Fixed Rubber	13.00" (33.0 cm)	7.0 lb (3.2 kg)
HDL-V	1.5" NH (38 mm)	100/55 psi (7/4 bar)	No	Fixed Rubber	13.00" (33.0 cm)	7.0 lb (3.2 kg)
HD-VPGI	1.5" NH (38 mm)	100/55 psi (7/4 bar)	Yes	Fixed Rubber	13.00" (33.0 cm)	7.0 lb (3.2 kg)
HDL-VPGI	1.5" NH (38 mm)	75/45 psi (5/3 bar)	Yes	Fixed Rubber	13.00" (33.0 cm)	7.0 lb (3.2 kg)



DUAL-FORCE FOAM ATTACHMENTS

The full line of foam attachments can be found in the Foam Equipment section.

MODEL	FITS NOZZLE	FRONT END	DIAMETER	LENGTH	WEIGHT
FJ-H	Dual-Force	Flexible Rubber	5.2" (13.2 cm)	8.50" (21.6 cm)	2.6 lb (1.2 kg)
FJ-HMX	Dual-Force	Polyethylene	8.6" (21.8 cm)	15.62" (39.7 cm)	3.1 lb (1.4 kg)

DUAL-FORCE SERIES FOLDING PISTOL GRIP

The full description of folding pistol grips can be found in the Folding Pistol Grip section.

MODEL	WHEN ORDERED WITH A NEW NOZZLE	LENGTH	WEIGHT
HM792-HKIT	DUAL-FORCE - SERIES	8.50" (21.6 cm)	1.7 lb (0.8 kg)

AUTOMATIC

DUAL-FORCE® DUAL PRESSURE NOZZLE SERIES 2.5" (64 mm)

With a wide flow range of 95-300 gpm @ 100/55 psi (360-1150 l/min @ 7/4 bar) or the low pressure version of 95-250 gpm @ 75/45 psi (360-950 l/min @ 5/3 bar) the Dual-Force series is an excellent choice for 2.5" and 3" (64 & 76 mm) attack lines. This nozzle is equipped with a low pressure override knob which allows the nozzle to achieve greater flows at lower nozzle pressures.



HD-2V **With Pistol Grip**
HDL-2V **HD-2VPGI**
 HDL-2VPGI

- 2.5" (64 mm) Full-time swivel rocker lug coupling
- Stainless Steel slide valve with detent flow control
- Pistol grip mounted under valve

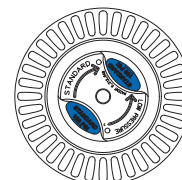


HD-2TO
HDL-2TO

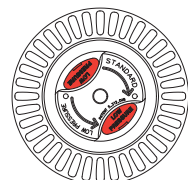
- 2.5" (64 mm) rigid rocker lug coupling
- Tip does not shut-off and must be used with a separate valve

- Lightweight hardcoat anodized aluminum
- Flush without shutting down
- Molded rubber bumper with "power fog" teeth
- "Gasket Grabber" inlet screen
- Accepts FJ-H low expansion or FJ-HMX multi-expansion foam attachment

MODEL	INLET	OPERATING PRESSURE	PISTOL GRIP	FOG TEETH	LENGTH	WEIGHT
HD-2TO	2.5" NH (64 mm)	100/55 psi (7/4 bar)	No	Fixed Rubber	10.50" (26.7 cm)	6.0 lb (2.7 kg)
HDL-2TO	2.5" NH (64 mm)	75/45 psi (5/3 bar)	No	Fixed Rubber	10.50" (26.7 cm)	6.0 lb (2.7 kg)
HD-2V	2.5" NH (64 mm)	100/55 psi (7/4 bar)	No	Fixed Rubber	13.50" (34.3 cm)	7.8 lb (3.5 kg)
HDL-2V	2.5" NH (64 mm)	75/45 psi (5/3 bar)	No	Fixed Rubber	13.50" (34.3 cm)	7.8 lb (3.5 kg)
HD-2VPGI	2.5" NH (64 mm)	100/55 psi (7/4 bar)	Yes	Fixed Rubber	13.50" (34.3 cm)	8.0 lb (3.6 kg)
HDL-2VPGI	2.5" NH (64 mm)	75/45 psi (5/3 bar)	Yes	Fixed Rubber	13.50" (34.3 cm)	8.0 lb (3.6 kg)



Knob In Standard Pressure Mode



Knob In Low Pressure Mode



DUAL-FORCE FOAM ATTACHMENTS

The full line of foam attachments can be found in the Foam Equipment section.

MODEL	FITS NOZZLE	FRONT END	DIAMETER	LENGTH	WEIGHT
FJ-H	Dual-Force	Flexible Rubber	5.2" (13.2 cm)	8.50" (21.6 cm)	2.6 lb (1.2 kg)
FJ-HMX	Dual-Force	Polyethylene	8.6" (21.8 cm)	15.62" (39.7 cm)	3.1 lb (1.4 kg)

DUAL-FORCE SERIES FOLDING PISTOL GRIP

The full description of folding pistol grips can be found in the Folding Pistol Grip section.

MODEL	WHEN ORDERED WITH A NEW NOZZLE	LENGTH	WEIGHT
HM792-HKIT	DUAL-FORCE - SERIES	8.50" (21.6 cm)	1.7 lb (0.8 kg)

SPECIALTY NOZZLES

DRY-CHEM AND DUAL AGENT NOZZLE SERIES

The Dry Chemical nozzle is designed for an application rate of 5 pounds per second (2.3 kg/sec), utilizes the same slide-valve design as used for water application and a special front end designed for dry chemicals. Effective reach of the cloud is 75 feet (23 m) at full flow and proportionately less at the six partial valve settings.

The Dual Agent nozzle adds the B-BH Ultimatic nozzle with a flow range of 10-125 gpm @ 100 psi (40-500 l/min @ 7 bar) capable of straight stream to wide fog and accepts the FJ-U Foamjet attachment.

Dual Agent nozzles are mounted on one pistol grip for ease of use.



BTFT-DC5
BTFT-DC5-ND

- 1.0" (25 mm) swivel inlet
- Six valve settings for flowing appropriate dry chemical agent
- Special front end includes the valve seat and a set of straightening fins
- No adjustment of pattern shape
- Tethered cap keeps out debris



B-DUAL
B-DUAL-ND

- 1.0" (25 mm) swivel inlets
- Six detent valve settings on both nozzles
- Dry chemical special front end includes the valve seat and a set of straightening fins
- Ultimatic is fully automatic pressure control and accepts FJ-U Foamjet attachment

MODEL	INLET(S)	FLOW RANGE	PISTOL GRIP	FOG TEETH	LENGTH	WEIGHT
BTFT-DC5	1.0" NPT (25 mm)	5 lbs / sec	Yes	No	8.00" (20.3 cm)	2.1 lb (1.0 kg)
BTFT-DC5-ND	1.0" NH (25 mm)	5 lbs / sec	Yes	No	8.00" (20.3 cm)	2.1 lb (1.0 kg)
B-DUAL	1.0" NPT (25 mm)	10-125 gpm (40-500 l/min) @ 100 psi (7 bar)	Yes	Fixed Rubber	9.00" (22.9 cm)	3.0 lb (1.4 kg)
B-DUAL-ND	1.0" NH (25 mm)	10-125 gpm (40-500 l/min) @ 100 psi (7 bar)	Yes	Fixed Rubber	9.00" (22.9 cm)	3.0 lb (1.4 kg)

IN-LINE FOAM EDUCTOR SERIES

60, 95 & 125 GPM and 225 & 450 L/MIN

In-line Foam Eductors have a metering head with easy to read knob for use with Class A foam at .25% and .5% and with Class B foam at 1%, 3% and 6%. Your choice of extra large 36" (91 cm) pickup hose with stainless steel wand or direct truck connect pickup hose are ideal for use with high viscosity foams. The required inlet pressure is 200 psi (13.8 bar).

- Flush button for fast cleaning
- Removable metering head
- Hardcoat anodized for corrosion protection
- Maximum allowable back pressure is 130 psi (8.9 bar)

See chart on next page for specifications

60 GPM



UE-060-NF

- 1.5" (38 mm) female swivel inlet
- 1.5" (38 mm) male outlet

UE-060-NJ-NF

- 2.5" (64 mm) female swivel inlet
- 1.5" (38 mm) male outlet

UE-060-NF-01

- 1.5" (38 mm) female swivel inlet
- 1.5" (38 mm) male outlet

225 L/MIN



UEM-225-BFBF

- 38 mm BSP (1.5") inlet
- 38 mm BSP (1.5") inlet

UEP-225-BHBH

- 51 mm BSPM (2.0")
- 51 mm BSPM (2.0")

UEM-225-BICJ

- 64 mm BIC (2.5")
- 64 mm BIC (2.5")

95 GPM



UE-095-NF

- 1.5" (38 mm) female swivel inlet
- 1.5" (38 mm) male outlet

UE-095-NJ-NF

- 2.5" (64 mm) female swivel inlet
- 1.5" (38 mm) male outlet

UE-095-NF-01

- 1.5" (38 mm) female swivel inlet
- 1.5" (38 mm) male outlet

450 L/MIN



UEM-450-BICJ

- 64 mm BIC (2.5")
- 64 mm BIC (2.5")

UEP-450-BHBH

- 51 mm BSPM (2.0")
- 51 mm BSPM (2.0")

UEP-450-BJBJ

- 64 mm BSPM (2.5")
- 64 mm BSPM (2.5")

125 GPM



UE-125-NF

- 1.5" (38 mm) female swivel inlet
- 1.5" (38 mm) male outlet

UE-125-NJ-NF

- 2.5" (64 mm) female swivel inlet
- 1.5" (38 mm) male outlet

UE-125-NF-01

- 1.5" (38 mm) female swivel inlet
- 1.5" (38 mm) male outlet

MODEL NUMBER	THREADS		INLET COUPLING	FLOW RATE @ INLET PRESSURE	FOAM MIX RATIO SETTINGS %	PICKUP HOSE		WEIGHT
	INLET FEMALE	OUTLET MALE				LENGTH / ID	END SIZE / STYLE	
UE-060-NF	1.5" NH (38 mm)	1.5" NH (38 mm)	Full-time Swivel Rocker Lug	60 gpm @ 200 psi (227 l/min @ 13.8 bar)	0.25, 0.5, 1, 3, 6	36" (91 cm) 1" (25 mm)	17" (43 cm) Stainless Steel Wand	4.5 lb (2.0 kg)
UE-060-NF-01	1.5" NH (38 mm)	1.5" NH (38 mm)	Full-time Swivel Rocker Lug	60 gpm @ 200 psi (227 l/min @ 13.8 bar)	0.25, 0.5, 1, 3, 6	51" (1.3 m) 1" (25 mm)	1" (25 mm) NHF Swivel Rocker Lug	4.7 lb (2.1 kg)
UE-060-NJ-NF	2.5" NH (64 mm)	1.5" NH (38 mm)	Full-time Swivel Rocker Lug	60 gpm @ 200 psi (227 l/min @ 13.8 bar)	0.25, 0.5, 1, 3, 6	36" (91 cm) 1" (25 mm)	17" (43 cm) Stainless Steel Wand	4.7 lb (2.1 kg)
UE-095-NF	1.5" NH (38 mm)	1.5" NH (38 mm)	Full-time Swivel Rocker Lug	95 gpm @ 200 psi (360 l/min @ 13.8 bar)	0.25, 0.5, 1, 3, 6	36" (91 cm) 1" (25 mm)	17" (43 cm) Stainless Steel Wand	4.5 lb (2.0 kg)
UE-095-NF-01	1.5" NH (38 mm)	1.5" NH (38 mm)	Full-time Swivel Rocker Lug	95 gpm @ 200 psi (360 l/min @ 13.8 bar)	0.25, 0.5, 1, 3, 6	51" (1.3 m) 1" (25 mm)	1" (25 mm) NHF Swivel Rocker Lug	4.7 lb (2.1 kg)
UE-095-NF-03	1.5" NH (38 mm)	1.5" NH (38 mm)	Full-time Swivel Rocker Lug	95 gpm @ 200 psi (360 l/min @ 13.8 bar)	0.25, 0.5, 1, 3, 6	51" (1.3 m) 1" (25 mm)	1" (25 mm) Female Cam Lock	4.9 lb (2.2 kg)
UE-095-NJ-NF	2.5" NH (64 mm)	1.5" NH (38 mm)	Full-time Swivel Rocker Lug	95 gpm @ 200 psi (360 l/min @ 13.8 bar)	0.25, 0.5, 1, 3, 6	36" (91 cm) 1" (25 mm)	17" (43 cm) Stainless Steel Wand	5.0 lb (2.3 kg)
UE-125-BF	1.5" BSP (38 mm)	1.5" BSP (38 mm)	Knurled Extended Swivel	125 gpm @ 200 psi (475 l/min @ 14 bar)	0.25, 0.5, 1, 3, 6	36" (91 cm) 1" (25 mm)	17" (43 cm) Stainless Steel Wand	4.7 lb (2.1 kg)
UE-125-NF	1.5" NH (38 mm)	1.5" NH (38 mm)	Fulltime Swivel Rocker Lug	125 gpm @ 200 psi (473 l/min @ 13.8 bar)	0.25, 0.5, 1, 3, 6	36" (91 cm) 1" (25 mm)	17" (43 cm) Stainless Steel Wand	4.7 lb (2.1 kg)
UE-125-NF-01	1.5" NH (38 mm)	1.5" NH (38 mm)	Fulltime Swivel Rocker Lug	125 gpm @ 200 psi (473 l/min @ 13.8 bar)	0.25, 0.5, 1, 3, 6	51" (1.3 m) 1" (25 mm)	1" (25 mm) NHF Swivel Rocker Lug	4.5 lb (2.0 kg)
UE-125-NJ-NF	2.5" NH (64 mm)	1.5" NH (38 mm)	Fulltime Swivel Rocker Lug	125 gpm @ 200 psi (473 l/min @ 13.8 bar)	0.25, 0.5, 1, 3, 6	36" (91 cm) 1" (25 mm)	17" (43 cm) Stainless Steel Wand	5.0 lb (2.3 kg)
UEM-225-BFBF	38 mm BSPF (1.5")	38 mm BSPM (1.5")	Knurled Extended Swivel	225 l/min @ 11 bar	0.25, 0.5, 1, 3, 6	91 cm (36") 25 mm (1")	43 cm (17") Stainless Steel Wand	2.5 kg (5.5 lb)
UEM-225-BICJ	64 mm BICM (2.5")	64 mm BICF (2.5")	BIC Male	225 l/min @ 11 bar	0.25, 0.5, 1, 3, 6	91 cm (36") 25 mm (1")	43 cm (17") Stainless Steel Wand	2.5 kg (5.5 lb)
UEM-450-BICJ	64 mm BICM (2.5")	64 mm BICF (2.5")	BIC Male	450 l/min @ 11 bar	0.25, 0.5, 1, 3, 6	91 cm (36") 25 mm (1")	43 cm (17") Stainless Steel Wand	2.5 kg (5.5 lb)
UEP-225-BHBH	51 mm BSPM (2.0")	51 mm BSPM (2.0")	Male Thread Swivel	225 l/min @10 bar	0.25, 0.5, 1, 3, 6	91 cm (36") 25 mm (1")	43 cm (17") Stainless Steel Wand	2.9 kg (6.5 lb)
UEP-450-BHBH	51 mm BSPM (2.0")	51 mm BSPM (2.0")	Male Thread Swivel	450 l/min @10 bar	0.25, 0.5, 1, 3, 6	91 cm (36") 25 mm (1")	43 cm (17") Stainless Steel Wand	2.5 kg (5.5 lb)
UEP-450-BBJJ	64 mm BSPM (2.5")	64 mm BSPM (2.5")	Male Thread Swivel	450 l/min @10 bar	0.25, 0.5, 1, 3, 6	91 cm (36") 25 mm (1")	43 cm (17") Stainless Steel Wand	2.4 kg (5.4 lb)

IN-LINE FOAM EDUCTOR SERIES

250 & 350 GPM and 1000 & 1500 L/MIN

250 & 350 gpm in-line foam eductors have a metering head with easy to read knob for use with Class A foam at .5% and with Class B foam at 1%, 3% and 6%. Large 8' (2.4 m) long industrial grade, clear pickup hose is ideal for use with high viscosity foams. Easy to read Go/NoGo gauge on outlet shows back pressure on eductor in PSI and BAR.

- Flush button for fast cleaning
- Removable metering head
- Hardcoat anodized for corrosion protection
- 1" (25 mm) male cam lock on metering head

250 GPM



UE-250-NJ

UE-250L-NJ

- UE-250-NJ inlet pressure is 200 psi (13.8 bar)
- Maximum allowable back pressure is 130 psi (8.9 bar)
- UE-250L-NJ inlet pressure is 150 psi (10.3 bar)
- Maximum allowable back pressure is 80 psi (5.5 bar)

1000 l/min



UE-1000-BJ

- Standard inlet pressure is 200 psi (13.8 bar)
- Maximum allowable back pressure is 130 psi (8.9 bar)
- 25mm (1") Cam Lock / Notched hose end

350 GPM



UE-350-NJ

UE-350L-NJ

- UE-350-NJ inlet pressure is 200 psi (13.8 bar)
- Maximum allowable back pressure is 130 psi (8.9 bar)
- UE-350L-NJ inlet pressure is 150 psi (10.3 bar)
- Maximum allowable back pressure is 80 psi (5.5 bar)
- 1" (25mm) Cam Lock / Notched hose end

1500 l/min



UE-1500-BJ

- Standard inlet pressure is 200 psi (13.8 bar)
- Maximum allowable back pressure is 130 psi (8.9 bar)
- 25mm (1") Cam Lock / Notched hose end

IN-LINE FOAM EDUCTOR SERIES

250 & 350 GPM and 1000 & 1500 L/MIN

MODEL NUMBER	THREADS		INLET COUPLING	FLOW RATE @ INLET PRESSURE	FOAM MIX RATIO SETTINGS %	PICKUP HOSE		WEIGHT
	INLET FEMALE	OUTLET MALE				LENGTH/ ID	END SIZE/ STYLE	
UE-250-NJ	2.5" NH (64 mm)	2.5" NH (64 mm)	Full-time Swivel Rocker Lug	250 gpm @ 200 psi (945 l/min @ 13.8 bar)	0.5, 1, 3, 6	8' (2.4 m) 1.25" (32 mm)	1" (25 mm) Cam Lock / Notched hose end	15.0 lb (6.8 kg)
UE-250L-NJ	2.5" NH (64 mm)	2.5" NH (64 mm)	Full-time Swivel Rocker Lug	250 gpm @ 150 psi (945 l/min @ 10.3 bar)	0.5, 1, 3, 6	8' (2.4 m) 1.25" (32 mm)	1" (25 mm) Cam Lock / Notched hose end	15.0 lb (6.8 kg)
UE-350-NJ	2.5" NH (64 mm)	2.5" NH (64 mm)	Full-time Swivel Rocker Lug	350 gpm @ 200 psi (1325 l/min @ 13.8 bar)	0.5, 1, 3, 6	8' (2.4 m) 1.25" (32 mm)	1" (25 mm) Cam Lock / Notched hose end	15.0 lb (6.8 kg)
UE-350L-NJ	2.5" NH (64 mm)	2.5" NH (64 mm)	Full-time Swivel Rocker Lug	350 gpm @ 150 psi (1325 l/min @ 10.3 bar)	0.5, 1, 3, 6	8' (2.4 m) 1.25" (32 mm)	1" (25mm) Cam Lock / Notched hose end	15.0 lb (6.8 kg)
UE-1000-BJ	64 mm BSPF (2.5")	64 mm BSPM (2.5")	Full-time Swivel Rocker Lug	1000 l/min @ 10 bar	0.5, 1, 3, 6	2.4 m (8') 32 mm (1.25")	25mm (1") Cam Lock / Notched hose end	6.8 kg (15.0 lb)
UE-1500-BJ	64 mm BSPF (2.5")	64 mm BSPM (2.5")	Full-time Swivel Rocker Lug	1500 l/min @ 10 bar	0.5, 1, 3, 6	2.4 m (8') 32 mm (1.25")	25mm (1") Cam Lock / Notched hose end	6.8 kg (15.0 lb)



MODEL NUMBER	DESCRIPTION	WEIGHT
UE950	1.0" (25 mm) Single cam lock connection on 1.25" x 8' (32 mm x 2.4 m) long black hose. Flexible at low temperatures and UV resistant.	3.5 lb (1.6 kg)
UE960-KIT	1.5" (38 mm) Cam lock adapter. Attaches to 1" male cam lock on eductor metering head to adapt to 1.5" female cam lock hose.	0.4 lb (0.2 kg)

**LOW EXPANSION FOAM ATTACHMENT
FOAMJET™**

Make your TFT nozzle a high performance foam nozzle with the FOAMJET air-aspirating attachment. Simple, rugged and dependable, the FOAMJET can be quickly attached to your TFT nozzle. The FOAMJET provides superior foam-making ability with most foam concentrates. When used with AFFF and Class A foams, the FOAMJET can develop expansion ratios of 6:1. This thick foam blanket has better extinguishing ability and is

longer lasting than foam from non-aspirated nozzles. The attachment can be easily removed in seconds for a water-only or non-aspirated stream. FOAMJET is used in straight stream position only.

Constructed of molded rubber, stainless steel, and lightweight nickle plated aluminum.



MODEL	FITS NOZZLE	FRONT END	LENGTH	WEIGHT
FJ-DQ	QuadraFog 1" (25 mm)	Flexible Rubber	6.50" (16.5 cm)	1.2 lb (0.5 kg)
FJ-U	Ultimatic	Flexible Rubber	6.50" (16.5 cm)	1.2 lb (0.5 kg)
FJ-HM	Mid-Matic, Mid-Force, Metro 1 & Working Fire	Flexible Rubber	8.50" (21.6 cm)	2.6 lb (1.2 kg)
FJ-H	Handline, Dual-Force & Metro 2	Flexible Rubber	8.50" (21.6 cm)	2.6 lb (1.2 kg)
FJP-FT	Thunderfog	Flexible Rubber	8.50" (21.6 cm)	2.6 lb (1.2 kg)

FOAMJET™ LX

The FOAMJET-LX is a lightweight, low-expansion foam-making, air-aspirating attachment. Simple, rugged and dependable, the FOAMJET-LX can be quickly attached and provides superior foam-making ability with most foam concentrates. When used with AFFF and Class A Foams, the FOAMJET-LX can develop a thick foam blanket which has better

extinguishing ability and is longer lasting than foam from non-aspirating nozzles. The FOAMJET-LX can easily be removed in seconds for a water-only or non-aspirated stream. It is constructed of durable UV stabilized polyethylene, stainless steel, and aluminum. FOAMJET-LX is used in straight stream position only.



MODEL	FITS NOZZLE	LENGTH	WEIGHT
FJ-LX-FQ	QuadraFog 1.5" (38 mm)	20.20" (51.3 cm)	3.0 lb (1.4 kg)
FJ-LX-HM	Mid-Matic, Mid-Force, Metro 1 & Working Fire	20.20" (51.3 cm)	3.0 lb (1.4 kg)

MX FOAMJET™ and FOAMJET™ LX FOR MASTER STREAM NOZZLES

The MX-FOAMJET & FOAMJET-LX for Master Stream Nozzles are lightweight, low & multi expansion foam-making, air-aspirating attachments. Simple, rugged and dependable, the MX-FOAMJET & FOAMJET-LX can be quickly attached and provide superior foam-making ability with most foam concentrates. When used with AFFF and Class A Foams, the MX-FOAMJET & FOAMJET-LX can develop a thick

low and multi-expansion foam blanket which has better extinguishing ability and is longer lasting than foam from non-aspirating nozzles. The MX-FOAMJET & FOAMJET-LX can easily be removed in seconds for a water-only or non-aspirated stream. Rotating the MX-FOAMJET gives you the unique ability to vary the expansion ratio and stream reach of the finished foam. FOAMJET-LX is used in straight stream position only.



MODEL	FITS NOZZLE	LENGTH	WEIGHT
FJ-MX-MD	Max-Series and ZN Series Industrial Nozzle	16.20" (41.1 cm)	4.6 lb (2.1 kg)
FJ-LX-M	Master Force, Master Stream 1000 & 1250S and Master Foam 250-750 gpm	25.30" (64.3 cm)	6.4 lb (2.9 kg)
FJ-LX-M3	Master Stream 1250 Large Body and 1500	29.90" (76.0 cm)	10.9 lb (4.94 kg)

Constructed of durable UV stabilized polyethylene and aluminum

FJ-LX-M3 constructed from lightweight hardcoat anodized aluminum, nylon, and stainless steel

MULTI EXPANSION FOAM ATTACHMENT
MX FOAMJET™

The MX-FOAMJET is a simple to attach, lightweight multi-expansion foam-making attachment for your Task Force Tips nozzle. The MX-FOAMJET has the unique ability to vary the expansion ratio and the stream reach of the finished foam. Foam expansion and reach can be controlled by

varying the stream pattern of the nozzle. The ability to regulate the reach and expansion ratio is unique to the MX-FOAMJET. It can be easily removed in seconds for a water-only or non-aspirated stream.



MODEL	FITS NOZZLE	DIAMETER	LENGTH	WEIGHT
FJ-MX-D	Twister 1" (25 mm) Series	5.2" (13.0 cm)	10.60" (26.9 cm)	1.4 lb (0.6 kg)
FJ-MX-DQ	Quadrafog 1" (25 mm) Series	7.4" (18.8 cm)	12.60" (32.0 cm)	2.2 lb (1.0 kg)
FJ-MX-F	Twister 1.5" (38 mm) series	7.4" (18.8 cm)	12.60" (32.0 cm)	2.2 lb (1.0 kg)
FJ-MX-FQ	Quadrafog 1.5" (38 mm) Series	7.4" (18.8 cm)	15.20" (38.6 cm)	3.3 lb (1.5 kg)
FJ-MX-FT	ThunderFog Series	8.6" (21.8 cm)	17.00" (43.2 cm)	5.2 lb (2.4 kg)
FJ-MX-HM	Mid-Force, Mid-Matic, Metro 1 & Working Fire Series	7.4" (18.8 cm)	15.40" (39.1 cm)	3.2 lb (1.5 kg)
FJ-UMX	Ultimatic & Metro 0 Series	7.4" (18.8 cm)	15.25" (38.7 cm)	3.2 lb (1.5 kg)
FJ-HMX	Handline, Dual-Force & Metro 2 Series	8.6" (21.8 cm)	15.62" (39.7 cm)	3.1 lb (1.4 kg)

FJ-MX-D, FJ-MX-FT, FJ-MX-HM, FJ-UMX and FJ-HMX constructed from durable UV stabilized polyethylene and hardcoat anodized aluminum.

FJ-MX-DQ, FJ-MX-F and FJ-MX-FQ constructed from durable UV stabilized polypropylene and hardcoat anodized aluminum.

Fixed GPM Self-Educting Foam Nozzles MASTER FOAM™

This fixed gallonage fog nozzle is available with your choice of 250, 350, 500 or 750 gpm @ 100 psi (950, 1300, 2000, 3000 l/min @ 7 bar). Fog angle is user adjustable between 90° wide fog and straight stream. The nozzle's baffle is easily removed for flushing debris. The simple flow geometry can educt foam concentrate at .5%, 1%, 3%, or 6% with no small passages to clog. Percentage is easily set with an interchangeable

orifice plate. A set of calibrated foam orifice plates is included. Nozzle comes with an industrial grade UV resistant, 10 feet long, 1.5" diameter (3 m x 38 mm) concentrate hose with two cam lock fittings for quick and secure attachment to the nozzle. The simple and basic design requires no grease or other maintenance.



- Stream shaper and body are hardcoat anodized aluminum
- Rubber bumper is UV resistant
- Accepts the FJ-LX-M FOAMJET low expansion air-aspirating attachment
- Z621 1.5" Cam lock dust cap is included
- Z625A Supply hose is included



Z625A
7.0 lb (3.2 kg)

Supply Hose: 1.5" (38 mm) Cam lock x 2.0" (51 mm) Cam lock. 1.5" dia. x 10 feet (38 mm x 3 m) long black concentrate hose, industrial grade, UV resistant

MODEL	THREADS	FLOW	LENGTH	WEIGHT
ZMF10A	2.5"-7.5 NH (64 mm) Female	250 gpm @ 100 psi (950 l/min @ 7 bar) K-factor = 25	10.50" (26.7 cm)	7.3 lb (3.3 kg)
ZMF11A	2.5"-7.5 NH (64 mm) NH Female	350 gpm @ 100 psi (1300 l/min @ 7 bar) K-factor = 35	10.50" (26.7 cm)	7.3 lb (3.3 kg)
ZMF12A	2.5"-7.5 NH (64 mm) Female	500 gpm @ 100 psi (2000 l/min @ 7 bar) K-factor = 50	10.50" (26.7 cm)	7.3 lb (3.3 kg)
ZMF13A	2.5"-7.5 NH (64 mm) Female	750 gpm @ 100 psi (3000 l/min @ 7 bar) K-factor = 75	10.50" (26.7 cm)	7.3 lb (3.3 kg)



FIXED MONITOR FOAM ATTACHMENT


The full line of foam attachments can be found in the Foam Equipment section.

MODEL	FITS NOZZLE	LENGTH	WEIGHT
FJ-LX-M	Master Foam	25.30" (64.3 cm)	6.4 lb (2.9 kg)

Fixed GPM Self-Educting Foam Nozzles
MASTER FOAM™


This fixed gallonage foam nozzle is available with your choice of 1000, 1250, 1500 or 2000 gpm @ 100 psi (3800, 4800, 5700 or 7700 l/min @ 7 bar). Fog angle is user adjustable between 90° wide fog and straight stream. The nozzle's baffle is easily removed for flushing debris. The simple flow geometry can educt foam concentrate at 1% or 3% with no

small passages to clog. A set of calibrated foam orifice plates is included. Nozzle comes with a black industrial grade UV resistant, 10 feet long, 2" diameter (3 m x 51 mm) concentrate hose with two cam lock fittings for quick and secure attachment to the nozzle and foam supply. The simple and basic design requires no grease or other maintenance.



ZMF14 - ZMF15

- Folding handles for manual pattern control
- Hardcoat anodized aluminum for maximum resistance to corrosion and wear
- Z621 1.5" Cam lock dust cap is included
- Concentrate hose has one 1.5" (38 mm) and one 2.0" (51 mm) cam lock fittings



ZMF16 - ZMF17

- Folding handles for manual pattern control
- Hardcoat anodized aluminum for maximum resistance to corrosion and wear
- Z627 2" Cam lock dust cap is included
- Concentrate hose has two 2.0" (51 mm) cam lock fittings

MODEL	THREADS	FLOW	LENGTH	WEIGHT
1000 or 1250 gpm (3800 or 4800 l/min) Self-Educting Foam Nozzles				
ZMF14	2.5"-7.5 NH (64 mm) Female	1000 gpm @ 100 psi (3800 l/min @ 7 bar) K-factor = 100	10.70" (27.2 cm)	17.7 lb (8.0 kg)
ZMF15	2.5"-7.5 NH (64 mm) Female	1250 gpm @ 100 psi (4800 l/min @ 7 bar) K-factor = 125	10.70" (27.2 cm)	17.7 lb (8.0 kg)
1500 or 2000 gpm (5700 or 7700 l/min) Self-Educting Foam Nozzles				
ZMF16	3.5"-6 NH (89 mm) NH Coupling	1500 gpm @ 100 psi (5700 l/min @ 7 bar) K-factor = 150	11.38" (28.9 cm)	24.8 lbs (11.2 kg)
ZMF17	3.5"-6 NH (89 mm) NH Coupling	2000 gpm @ 100 psi (7700 l/min @ 7 bar) K-factor = 200	11.38" (28.9 cm)	24.8 lbs (11.2 kg)

BLITZTAC™
 Portable Monitor with Safety Gating Inlet



Meets NFPA 1964 and EN 15767-1 certifications.

The BLITZTAC is one of Task Force Tips' innovative, lightweight, and highly versatile portable attack monitors. Rated up to 500 gpm (2000 l/min), BLITZTAC integrates a low loss waterway with positive locking valve control, and a corrosion resistant anodized and powder coat finish, while providing a simple easy to reset safety gating device. If the BLITZTAC starts to slide or lift, the safety gating inlet will automatically reduce the flow of water. To reset, simply close the valve to stop water flow and position the monitor back into the full flow position. The discharge pivots make directing the stream extremely quick and effortless. With an

integral stream shaper for superior reach and penetration performance, the BLITZTAC delivers a 20° side to side range (40° total) and an elevation range of 25° to 50° in unmanned mode, or a low 10° angle when manned. The low elevation angle makes it suitable for use indoors. An angled inlet on the hose inlet provides a smooth transition from the hose to the monitor for increased stability. Folding legs have replaceable carbide tipped spikes. An anchor strap with storage bag is included for safe operation.



■ **XXB111A**
 ■ **XXB132A**
 19.2 lb (8.7 kg)
 20.7 L" X 8.6" W X 8.3" H
 (52.6 x 21.8 x 21.0 cm) (stowed)

- Flows up to 500 gpm (2000 l/min)
- Body is hardcoat anodized aluminum
- Blue TFT powder coat finish inside and out
- Positive locking valve control
- Elevation range of 25 ° to 50° in unmanned mode, and to a low 10° manned
- Horizontal rotation is manually adjustable 20° either side of center
- Outlet has built-in stream shaper
- Standard inlet is 2.5" (64 mm) swivel rocker lug coupling.
- Standard outlet is 2.5" (64 mm) rigid male threads
- Anchor strap with storage bag included



XXB-B
 3.3 lb
 (1.49 kg)

- Stainless steel and hardcoat aluminum
- Can be mounted for rapid deployment of a pre-connected BLITZTAC.
- Mounts on any accessible vertical or horizontal surface.
- 19.5" L x 8.3" W x 3.5" H (49.5 x 21.1 x 8.9 cm)

MODEL	DESCRIPTION
XXB111A	2.5" NHF INLET x 2.5" NHM OUTLET
XXB132A	2.5" BSPF INLET x 2.5" BSPM OUTLET

BLITZTAC Portable Monitor Nozzles, Foam Attachments, Accessories and Packages on the next pages.

MASTER STREAM NOZZLES FOR PORTABLE MONITORS

The full line of Master Stream Nozzles can be found in the Master Stream Nozzles Manual section..



MODEL	TYPE	INLET	COUPLING	FLOW	LENGTH	WEIGHT
MD12A	Max-Force Dual Pressure	2.5" NH (64 mm)	Rigid Rocker Lug	100-500 gpm (400-2000 l/min) 100 psi (7 bar) / 55 psi (4 bar)	9.00" (22.9 cm)	6.7 lb (3.0 kg)
MD18A	Max-Matic Automatic	2.5" NH (64 mm)	Rigid Rocker Lug	100-500 gpm (400-2000 l/min) 100 psi (7 bar)	9.00" (22.9 cm)	6.5 lb (2.9 kg)
MD17A	Max-Matic Automatic	2.5" NH (64 mm)	Rigid Rocker Lug	100-500 gpm (400-2000 l/min) 80 psi (6 bar)	9.00" (22.9 cm)	6.5 lb (2.9 kg)
MD14A	Max-Flow Fixed Gallonage	2.5" NH (64 mm)	Rigid Rocker Lug	500 gpm (2000 l/min) 100 psi (7 bar)	9.00" (22.9 cm)	6.5 lb (2.9 kg)
MD22A	Max-Force Dual Pressure	2.5" BSP (64 mm)	Rigid Rocker Lug	100-500 gpm (400-2000 l/min) 100 psi (7 bar)/55 psi (4 bar)	9.00" (22.9 cm)	6.7 lb (3.0 kg)

Frequently Purchased BLITZTAC Portable Monitor Nozzles, Foam Attachments and Accessories



PORTABLE MONITOR FOAM ATTACHMENT

The full line of foam attachments can be found in the Foam Equipment section.

MODEL	FITS NOZZLE	LENGTH	WEIGHT
FJ-MX-MD	Max-Series and ZN Series Industrial Nozzles	16.20" (41.1 cm)	4.6 lb (2.1 kg)



VORTEX FOR PORTABLE MONITORS

The full line of Vortex can be found in the Master Stream Nozzles Manual section..

MODEL	INLET	OUTLET	OPERATING SYSTEM	MAXIMUM PRESSURE	FLOW	LENGTH	WEIGHT
SVJ-NJNJ	2.5" NH (64 mm)	2.5" NH (64 mm)	MANUAL	300 psi (21 bar)	Up to 1250 gpm (up to 4500 l/min)	8.4" (21.3 cm)	5.5 lb (2.5 kg)



SMOOTHBORE TIPS FOR PORTABLE MONITORS

The full line of Smoothbore Tips can be found in the Master Stream Nozzles Manual section..

MODEL	INLET FEMALE	ORIFICE	LENGTH	WEIGHT
JSST10	2.5" NH (64 mm)	1.125" (29 mm) bore to 1.5" (38 mm) threaded male outlet	5.90" (15.0 cm)	1.8 lb (0.8 kg)
JSST11	2.5" NH (64 mm)	1.25" (32 mm) bore to 1.5" (38 mm) threaded male outlet	5.90" (15.0 cm)	1.8 lb (0.8 kg)
JSSTP-NF	1.5" NH (38 mm)	Smoothbore thread protector	0.88" (2.2 cm)	0.1 lb (0.1 kg)
JSS10	2.5" NH (64 mm)	1.125" (29 mm)	7.91" (20.1 cm)	1.6 lb (0.7 kg)
JSS11	2.5" NH (64 mm)	1.25" (32 mm)	7.93" (20.1 cm)	1.8 lb (0.8 kg)
MST-2NJ	2.5" NH (64 mm)	1.25", 1.125", and 1.0" (32 mm, 29 mm, and 25 mm)	9.63" (24.5 cm)	2.1 lb (1.0 kg)
MST-3NJ	2.5" NH (64 mm)	1.5", 1.25", and 1.0" (38, 32 and 25 mm)	11.80" (30.0 cm)	2.3 lb (1.0 kg)
MST-5NJ	2.5" NH (64 mm)	1.75", 1.5", and 1.375" (44 mm, 38 mm, and 35 mm)	11.70" (29.7 cm)	3.0 lb (1.4 kg)

BLITZTAC™ Packages

BLITZTAC PACKAGE MODEL	BLITZTAC MONITOR	NOZZLE	ACCESSORY
XXBC-32-BJ1	XXB132A BLITZTAC 2.5" BSPF INLET 2.5" BSPM OUTLET	MD22A MAX-FORCE TIP 2.5" BSP	XXB-B STORAGE BRACKET - BLITZTAC
XXBC-32-NH1	XXB111A BLITZTAC 2.5" NHF INLET 2.5" NHM OUTLET	MD12A MAX-FORCE TIP 2.5" FEMALE	XXB-B STORAGE BRACKET - BLITZTAC
XXBC-42-NH1	XXB111A BLITZTAC 2.5" NHF INLET 2.5" NHM OUTLET	MST-5NJ STACKED TIPS 2.5" FEMALE	XXB-B STORAGE BRACKET - BLITZTAC

BLITZFIRE®

Portable Monitor with Safety Shut-off Valve

TFTs' BLITZFIRE is a simple, light, and highly maneuverable attack monitor. The low elevation angle makes it suitable for use indoors. If the BLITZFIRE starts to slide or lift, the SAFETY Shut-off VALVE automatically shuts off the flow of water. The shut-off action slows near stroke end to reduce the effects of water hammer. To reset the flow, simply open the valve to any of six detent flow positions with the turbulence-free slide

valve. The discharge pivots make directing the stream extremely quick and effortless. Outlet has built-in stream shaper. A unique up/down pivot on the hose inlet allows the monitor to have stability even on porches and stair landings. Folding legs have replaceable carbide tipped spikes. An anchor strap is included for safe operation.



- Flows up to 500 gpm (2000 l/min)
- Body is hardcoat anodized aluminum
- Blue TFT powder coat finish inside and out
- Six detent flow positions with a turbulence free slide valve
- Elevation is manually adjustable between 10° and 46° above horizontal
- Horizontal rotation is manually adjustable 20° either side of center
- Outlet has built-in stream shaper
- Standard inlet is 2.5" (64 mm) swivel rocker lug coupling. Standard outlet is 2.5" (64 mm) rigid male threads



- Stainless steel and hardcoat aluminum
- Can be mounted for rapid deployment of a pre-connected BLITZFIRE.
- Mounts on any accessible vertical or horizontal surface.
- 20" L x 8.5" W x 2" H (50.8 x 21.6 x 5.1 cm)

MODEL	DESCRIPTION
XX111A	2.5" NHF INLET x 2.5" NHM OUTLET
XX132A	2.5" BSPF INLET x 2.5" BSPM OUTLET

BLITZFIRE Portable Monitor Nozzles, Foam Attachments, Accessories and Packages on the next pages.

Frequently Purchased BLITZFIRE Portable Monitor Nozzles, Foam Attachments and Accessories

MASTER STREAM NOZZLES FOR PORTABLE MONITORS

The full line of Master Stream Nozzles can be found in the Master Stream Nozzles Manual section..



MODEL	TYPE	INLET	COUPLING	FLOW	LENGTH	WEIGHT
MD12A	Max-Force Dual Pressure	2.5" NH (64 mm)	Rigid Rocker Lug	100-500 gpm (400-2000 l/min) 100 psi (7 bar) / 55 psi (4 bar)	9.00" (22.9 cm)	6.7 lb (3.0 kg)
MD18A	Max-Matic Automatic	2.5" NH (64 mm)	Rigid Rocker Lug	100-500 gpm (400-2000 l/min) 100 psi (7 bar)	9.00" (22.9 cm)	6.5 lb (2.9 kg)
MD17A	Max-Matic Automatic	2.5" NH (64 mm)	Rigid Rocker Lug	100-500 gpm (400-2000 l/min) 80 psi (6 bar)	9.00" (22.9 cm)	6.5 lb (2.9 kg)
MD14A	Max-Flow Fixed Gallonage	2.5" NH (64 mm)	Rigid Rocker Lug	500 gpm (2000 l/min) 100 psi (7 bar)	9.00" (22.9 cm)	6.5 lb (2.9 kg)
MD22A	Max-Force Dual Pressure	2.5" BSP (64 mm)	Rigid Rocker Lug	100-500 gpm (400-2000 l/min) 100 psi (7 bar)/55 psi (4 bar)	9.00" (22.9 cm)	6.7 lb (3.0 kg)



PORTABLE MONITOR FOAM ATTACHMENT

The full line of foam attachments can be found in the Foam Equipment section.

MODEL	FITS NOZZLE	LENGTH	WEIGHT
FJ-MX-MD	Max-Series and ZN Series Industrial Nozzles	16.20" (41.1 cm)	4.6 lb (2.1 kg)



VORTEX FOR PORTABLE MONITORS

The full line of Vortex can be found in the Master Stream Nozzles Manual section..

MODEL	INLET	OUTLET	OPERATING SYSTEM	MAXIMUM PRESSURE	FLOW	LENGTH	WEIGHT
SVJ-NJNJ	2.5" NH (64 mm)	2.5" NH (64 mm)	MANUAL	300 psi (21 bar)	Up to 1250 gpm (up to 4500 l/min)	8.4" (21.3 cm)	5.5 lb (2.5 kg)



SMOOTHBORE TIPS FOR PORTABLE MONITORS

The full line of Smoothbore Tips can be found in the Master Stream Nozzles Manual section..

MODEL	INLET FEMALE	ORIFICE	LENGTH	WEIGHT
JSST10	2.5" NH (64 mm)	1.125" (29 mm) bore to 1.5" (38 mm) threaded male outlet	5.90" (15.0 cm)	1.8 lb (0.8 kg)
JSST11	2.5" NH (64 mm)	1.25" (32 mm) bore to 1.5" (38 mm) threaded male outlet	5.90" (15.0 cm)	1.8 lb (0.8 kg)
JSSTP-NF	1.5" NH (38 mm)	Smoothbore thread protector	0.88" (2.2 cm)	0.1 lb (0.1 kg)
MST-2NJ	2.5" NH (64 mm)	1.25", 1.125", and 1.0" (32 mm, 29 mm, and 25 mm)	9.63" (24.5 cm)	2.1 lb (1.0 kg)
MST-3NJ	2.5" NH (64 mm)	1.5", 1.25", and 1.0" (38, 32 and 25 mm)	11.80" (30.0 cm)	2.3 lb (1.0 kg)
MST-3BJ-M	2.5" BSP (64 mm)	38 mm, 32 mm, and 25 mm Metric flow & pressure	11.80" (30.0 cm)	2.3 lb (1.0 kg)
MST-5NJ	2.5" NH (64 mm)	1.75", 1.5", and 1.375" (44 mm, 38 mm, and 35 mm)	11.70" (29.7 cm)	3.0 lb (1.4 kg)

BLITZFIRE® Packages

BLITZFIRE PACKAGE MODEL	BLITZFIRE MONITOR	NOZZLE 1	ACCESSORY
		NOZZLE 2	
XXC-32-BJ1	XX132A BLITZFIRE MONITOR 2.5" BSPF X 2.5" BSPM	MD22A MAX-FORCE TIP 2.5" BSPF	XX-B STORAGE BRACKET - BLITZFIRE
XXC-32-NH1	XX111A BLITZFIRE MONITOR 2.5" NHF X 2.5" NHM	MD12A MAX-FORCE TIP 2.5" NHF	XX-B STORAGE BRACKET - BLITZFIRE
XXC-32-NH3	XX111A BLITZFIRE MONITOR 2.5" NHF X 2.5" NHM	MD14A MAX-FLOW TIP 2.5" NHF	XX-B STORAGE BRACKET - BLITZFIRE
XXC-32NB-BJ1	XX132A BLITZFIRE MONITOR 2.5" BSPF X 2.5" BSPM	MD22A MAX-FORCE TIP 2.5" NHF	
XXC-32NB-NH1	XX111A BLITZFIRE MONITOR 2.5" NHF X 2.5" NHM	MD12A MAX-FORCE TIP 2.5" NHF	
XXC-42-BJ1	XX132A BLITZFIRE MONITOR 2.5" BSPF X 2.5" BSPM	MST-3BJ-M 3 STACKED TIPS 2.5" BSPF - METRIC	XX-B STORAGE BRACKET - BLITZFIRE
XXC-42-NBNH1	XX111A BLITZFIRE MONITOR 2.5" NHF X 2.5" NHM	MST-3NJ 3 STACKED TIPS - 2.5" NHF	
XXC-42-NH1	XX111A BLITZFIRE MONITOR 2.5" NHF X 2.5" NHM	MST-3NJ 3 STACKED TIPS - 2.5" NHF	XX-B STORAGE BRACKET - BLITZFIRE
XXC-52-NH1	XX111A BLITZFIRE MONITOR 2.5" NHF X 2.5" NHM	MD12A MAX-FORCE TIP 2.5" NHF MST-3NJ 3 STACKED TIPS - 2.5" NHF	XX-B STORAGE BRACKET - BLITZFIRE
XXC-52-NH2	XX111A BLITZFIRE MONITOR 2.5" NHF X 2.5" NHM	MD18A MAX-MATIC TIP 2.5" NHF MST-3NJ 3 STACKED TIPS - 2.5" NHF	
XXC-52-NH3	XX111A BLITZFIRE MONITOR 2.5" NHF X 2.5" NHM	MD14A MAX-FLOW TIP 2.5" NHF MST-3NJ 3 STACKED TIPS - 2.5" NHF	XX-B STORAGE BRACKET - BLITZFIRE
XXC52-NB-NH1	XX111A BLITZFIRE MONITOR 2.5" NHF X 2.5" NHM	MD12A MAX-FORCE TIP 2.5" NHF MST-3NJ 3 STACKED TIPS - 2.5" NHF	

BLITZFIRE® OSC

Oscillating Portable Monitor with Safety Shut-off Valve

TFTs' BLITZFIRE is a simple, light, and highly maneuverable attack monitor. The low elevation angle makes it suitable for use indoors. If the BLITZFIRE starts to slide or lift, the SAFETY Shut-off VALVE automatically shuts off the flow of water. The shut-off action slows near stroke end to reduce the effects of water hammer. To reset the flow, simply open the valve to any of six detent flow positions with the turbulence-free slide valve. The discharge pivots make directing the stream extremely quick



■ **XX211A**
 ■ **XX232A**
 ■ **XX241A**
31.00 lb (14.10 kg)
34.8"L x 10.5"W x 9.6"H
(88.4 x 26.7 x 24.4 cm) stowed

To add the oscillating feature to an existing BLITZFIRE, contact TFT's Service Department.

MODEL	DESCRIPTION
XX211A	2.5" NHF INLET x 2.5" NHM OUTLET
XX232A	2.5" BSPF INLET x 2.5" BSPM OUTLET
XX241A	2.5" BICM INLET x 2.5" NHM OUTLET

and effortless. A unique up/down pivot on the hose inlet allows the monitor to have stability even on porches and stair landings. Folding legs have replaceable carbide tipped spikes. An anchor strap is included for safe operation. Oscillating feature will sweep nozzle 20°, 30° or 40° side to side. Manual override allows manual horizontal movement and easy re-engagement of automatic oscillation.

- Flows up to 500 gpm (2000 l/min)
- Nozzle automatically sweeps 10°, 15°, or 20° either side of center
- Oscillation can be disengaged for manual horizontal movement
- Body is hardcoat anodized aluminum
- Blue TFT powder coat finish inside and out
- Six detent flow positions with a turbulence free slide valve
- Elevation is manually adjustable between 10° and 46° above horizontal
- Standard inlet is 2.5" (64 mm) swivel rocker lug coupling. Standard outlet is 2.5" (64 mm) rigid male threads



XX-B
3.40 lb
(1.50 kg)

- Stainless steel and hardcoat aluminum
- Can be mounted for rapid deployment of a pre-connected BLITZFIRE.
- Mounts on any accessible vertical or horizontal surface.
- 20" L x 8.5" W x 2" H (50.8 x 21.6 x 5.1 cm)

BLITZFIRE OSC Portable Monitor Nozzles, Foam Attachments, Accessories and Packages on the next pages.

Frequently Purchased **BLITZFIRE** Portable Monitor Nozzles, Foam Attachments and Accessories

MASTER STREAM NOZZLES FOR PORTABLE MONITORS

The full line of Master Stream Nozzles can be found in the Master Stream Nozzles Manual section..



MODEL	TYPE	INLET	COUPLING	FLOW	LENGTH	WEIGHT
MD12A	Max-Force Dual Pressure	2.5" NH (64 mm)	Rigid Rocker Lug	100-500 gpm (400-2000 l/min) 100 psi (7 bar) / 55 psi (4 bar)	9.00" (22.9 cm)	6.7 lb (3.0 kg)
MD18A	Max-Matic Automatic	2.5" NH (64 mm)	Rigid Rocker Lug	100-500 gpm (400-2000 l/min) 100 psi (7 bar)	9.00" (22.9 cm)	6.5 lb (2.9 kg)
MD17A	Max-Matic Automatic	2.5" NH (64 mm)	Rigid Rocker Lug	100-500 gpm (400-2000 l/min) 80 psi (6 bar)	9.00" (22.9 cm)	6.5 lb (2.9 kg)
MD14A	Max-Flow Fixed Gallonage	2.5" NH (64 mm)	Rigid Rocker Lug	500 gpm (2000 l/min) 100 psi (7 bar)	9.00" (22.9 cm)	6.5 lb (2.9 kg)
MD22A	Max-Force Dual Pressure	2.5" BSP (64 mm)	Rigid Rocker Lug	100-500 gpm (400-2000 l/min) 100 psi (7 bar)/55 psi (4 bar)	9.00" (22.9 cm)	6.7 lb (3.0 kg)

PORTABLE MONITOR FOAM ATTACHMENT

The full line of foam attachments can be found in the Foam Equipment section.



MODEL	FITS NOZZLE	LENGTH	WEIGHT
FJ-MX-MD	Max-Series and ZN Series Industrial Nozzles	16.20" (41.1 cm)	4.6 lb (2.1 kg)

VORTEX FOR PORTABLE MONITORS

The full line of Vortex can be found in the Master Stream Nozzles Manual section..



MODEL	INLET	OUTLET	OPERATING SYSTEM	MAXIMUM PRESSURE	FLOW	LENGTH	WEIGHT
SVJ-NJNJ	2.5" NH (64 mm)	2.5" NH (64 mm)	MANUAL	300 psi (21 bar)	Up to 1250 gpm (up to 4500 l/min)	8.4" (21.3 cm)	5.5 lb (2.5 kg)

SMOOTHBORE TIPS FOR PORTABLE MONITORS

The full line of Smoothbore Tips can be found in the Master Stream Nozzles Manual section..



MODEL	INLET FEMALE	ORIFICE	LENGTH	WEIGHT
JSST10	2.5" NH (64 mm)	1.125" (29 mm) bore to 1.5" (38 mm) threaded male outlet	5.90" (15.0 cm)	1.8 lb (0.8 kg)
JSST11	2.5" NH (64 mm)	1.25" (32 mm) bore to 1.5" (38 mm) threaded male outlet	5.90" (15.0 cm)	1.8 lb (0.8 kg)
JSSTP-NF	1.5" NH (38 mm)	Smoothbore thread protector	0.88" (2.2 cm)	0.1 lb (0.1 kg)
MST-2NJ	2.5" NH (64 mm)	1.25", 1.125", and 1.0" (32 mm, 29 mm, and 25 mm)	9.63" (24.5 cm)	2.1 lb (1.0 kg)
MST-3NJ	2.5" NH (64 mm)	1.5", 1.25", and 1.0" (38, 32 and 25 mm)	11.80" (30.0 cm)	2.3 lb (1.0 kg)
MST-3BJ-M	2.5" BSP (64 mm)	38 mm, 32 mm, and 25 mm Metric flow & pressure	11.80" (30.0 cm)	2.3 lb (1.0 kg)
MST-5NJ	2.5" NH (64 mm)	1.75", 1.5", and 1.375" (44 mm, 38 mm, and 35 mm)	11.70" (29.7 cm)	3.0 lb (1.4 kg)

STREAM STRAIGHTENERS FOR PORTABLE MONITORS

The full line of Stream Straighteners can be found in the Master Stream Nozzles Manual section..



MODEL	RIGID FEMALE INLET	RIGID MALE OUTLET	LENGTH	WEIGHT
XF-SS5	2.5" NH (64 mm)	2.5" NH (64 mm)	5" (127 mm)	1.80 lb (0.80 kg)

BLITZFIRE OSC Portable Monitor packages on the next page.

BLITZFIRE® OSC Packages

BLITZFIRE OSC PACKAGE MODEL	BLITZFIRE OSC MONITOR	NOZZLE 1	ACCESSORY 1
		NOZZLE 2	ACCESSORY 2
XXC-33NB-BJ	XX232A BLITZFIRE OSC 2.5" BSPF X 2.5" BSPM	MD12A MAX-FORCE TIP 2.5" NHF	XX-B STORAGE BRACKET - BLITZFIRE
XXC53-NBNH1	XX211A BLITZFIRE OSC 2.5" NHF X 2.5" NHM	MD12A MAX-FORCE TIP 2.5" NHF	XF-SS5 STREAM STRAIGHTENER 5" 2.5" NH THREADS
		MST-3NJ 3 STACKED TIPS - 2.5" NHF	
XXC-33-BICJ	XX241A BLITZFIRE OSC 2.5" BICM X 2.5" NHM	MD12A MAX-FORCE TIP 2.5" NHF	XX-B STORAGE BRACKET - BLITZFIRE
XXC-33-BJ1	XX232A BLITZFIRE OSC 2.5" BSPF X 2.5" BSPM	MD22A MAX-FORCE TIP 2.5" BSPF	XX-B STORAGE BRACKET - BLITZFIRE
XXC-33NB-NH1	XX211A BLITZFIRE OSC 2.5" NHF X 2.5" NHM	MD12A MAX-FORCE TIP 2.5" NHF	
XXC-33-NH1	XX211A BLITZFIRE OSC 2.5" NHF X 2.5" NHM	MD12A MAX-FORCE TIP 2.5" NHF	XX-B STORAGE BRACKET - BLITZFIRE
XXC-43-NH1	XX211A BLITZFIRE OSC 2.5" NHF X 2.5" NHM	MST-3NJ 3 STACKED TIPS - 2.5" NHF	XF-SS5 STREAM STRAIGHTENER 5" 2.5" NH THREADS
			XX-B STORAGE BRACKET - BLITZFIRE
XXC-53-NH1	XX211A BLITZFIRE OSC 2.5" NHF X 2.5" NHM	MD12A MAX-FORCE TIP 2.5" NHF	XF-SS5 STREAM STRAIGHTENER 5" 2.5" NH THREADS
		MST-3NJ 3 STACKED TIPS - 2.5" NHF	XX-B STORAGE BRACKET - BLITZFIRE
XXC-53-NH2	XX211A BLITZFIRE OSC 2.5" NHF X 2.5" NHM	MD18A MAX-MATIC TIP 2.5" NHF	XF-SS5 STREAM STRAIGHTENER 5" 2.5" NH THREADS
		MST-3NJ 3 STACKED TIPS - 2.5" NHF	XX-B STORAGE BRACKET - BLITZFIRE

BLITZFIRE® HE

High Elevation Portable Monitor with Safety Shut-off Valve

TFTs' BLITZFIRE is a simple, light, and highly maneuverable attack monitor. The low elevation angle makes it suitable for use indoors. If the BLITZFIRE starts to slide or lift, the SAFETY Shut-off VALVE automatically shuts off the flow of water. The shut-off action slows near stroke end to reduce the effects of water hammer. To reset the flow, simply open the valve to any of six detent flow positions with the turbulence-free slide

valve. The discharge pivots make directing the stream extremely quick and effortless. Outlet has built-in stream shaper. A unique up/down pivot on the hose inlet allows the monitor to have stability even on porches and stair landings. Folding legs have replaceable carbide tipped spikes. An anchor strap is included for safe operation. Increased elevation range provides tactical advantage of stream placement.



- Flows up to 500 gpm (2000 l/min)
- Elevation is manually adjustable between 10° and 86° above horizontal
- Body is hardcoat anodized aluminum
- Blue TFT powder coat finish inside and out
- Six detent flow positions with a turbulence free slide valve
- Horizontal rotation is manually adjustable 20° either side of center
- Outlet has built-in stream shaper
- Standard inlet is 2.5" (64 mm) swivel rocker lug coupling. Standard outlet is 2.5" (64 mm) rigid male threads



- Stainless steel and hardcoat aluminum
- Can be mounted for rapid deployment of a pre-connected BLITZFIRE.
- Mounts on any accessible vertical or horizontal surface.
- 20" L x 8.5" W x 2" H (50.8 x 21.6 x 5.1 cm)

MODEL	DESCRIPTION
XX111A-HE	2.5" NHF INLET x 2.5" NHM OUTLET
XX132A-HE	2.5" BSPF INLET x 2.5" BSPM OUTLET
XX161A-HE	75 mm Storz INLET x 2.5" NHM OUTLET

BLITZFIRE HE Portable Monitor Nozzles, Foam Attachments, Accessories and Packages on the next pages.

Frequently Purchased BLITZFIRE Portable Monitor Nozzles, Foam Attachments and Accessories

MASTER STREAM NOZZLES FOR PORTABLE MONITORS

The full line of Master Stream Nozzles can be found in the Master Stream Nozzles Manual section..



MODEL	TYPE	INLET	COUPLING	FLOW	LENGTH	WEIGHT
MD12A	Max-Force Dual Pressure	2.5" NH (64 mm)	Rigid Rocker Lug	100-500 gpm (400-2000 l/min) 100 psi (7 bar) / 55 psi (4 bar)	9.00" (22.9 cm)	6.7 lb (3.0 kg)
MD18A	Max-Matic Automatic	2.5" NH (64 mm)	Rigid Rocker Lug	100-500 gpm (400-2000 l/min) 100 psi (7 bar)	9.00" (22.9 cm)	6.5 lb (2.9 kg)
MD17A	Max-Matic Automatic	2.5" NH (64 mm)	Rigid Rocker Lug	100-500 gpm (400-2000 l/min) 80 psi (6 bar)	9.00" (22.9 cm)	6.5 lb (2.9 kg)
MD14A	Max-Flow Fixed Gallonage	2.5" NH (64 mm)	Rigid Rocker Lug	500 gpm (2000 l/min) 100 psi (7 bar)	9.00" (22.9 cm)	6.5 lb (2.9 kg)
MD22A	Max-Force Dual Pressure	2.5" BSP (64 mm)	Rigid Rocker Lug	100-500 gpm (400-2000 l/min) 100 psi (7 bar)/55 psi (4 bar)	9.00" (22.9 cm)	6.7 lb (3.0 kg)

PORTABLE MONITOR FOAM ATTACHMENT

The full line of foam attachments can be found in the Foam Equipment section.



MODEL	FITS NOZZLE	LENGTH	WEIGHT
FJ-MX-MD	Max-Series and ZN Series Industrial Nozzles	16.20" (41.1 cm)	4.6 lb (2.1 kg)

VORTEX FOR PORTABLE MONITORS

The full line of Vortex can be found in the Master Stream Nozzles Manual section..



MODEL	INLET	OUTLET	OPERATING SYSTEM	MAXIMUM PRESSURE	FLOW	LENGTH	WEIGHT
SVJ-NJNJ	2.5" NH (64 mm)	2.5" NH (64 mm)	MANUAL	300 psi (21 bar)	Up to 1250 gpm (up to 4500 l/min)	8.4" (21.3 cm)	5.5 lb (2.5 kg)

SMOOTHBORE TIPS FOR PORTABLE MONITORS

The full line of Smoothbore Tips can be found in the Master Stream Nozzles Manual section..



MODEL	INLET FEMALE	ORIFICE	LENGTH	WEIGHT
JSST10	2.5" NH (64 mm)	1.125" (29 mm) bore to 1.5" (38 mm) threaded male outlet	5.90" (15.0 cm)	1.8 lb (0.8 kg)
JSST11	2.5" NH (64 mm)	1.25" (32 mm) bore to 1.5" (38 mm) threaded male outlet	5.90" (15.0 cm)	1.8 lb (0.8 kg)
JSSTP-NF	1.5" NH (38 mm)	Smoothbore thread protector	0.88" (2.2 cm)	0.1 lb (0.1 kg)
MST-2NJ	2.5" NH (64 mm)	1.25", 1.125", and 1.0" (32 mm, 29 mm, and 25 mm)	9.63" (24.5 cm)	2.1 lb (1.0 kg)
MST-3NJ	2.5" NH (64 mm)	1.5", 1.25", and 1.0" (38, 32 and 25 mm)	11.80" (30.0 cm)	2.3 lb (1.0 kg)
MST-3BJ-M	2.5" BSP (64 mm)	38 mm, 32 mm, and 25 mm Metric flow & pressure	11.80" (30.0 cm)	2.3 lb (1.0 kg)
MST-5NJ	2.5" NH (64 mm)	1.75", 1.5", and 1.375" (44 mm, 38 mm, and 35 mm)	11.70" (29.7 cm)	3.0 lb (1.4 kg)

BLITZFIRE® HE Packages

BLITZFIRE HE PACKAGE MODEL	BLITZFIRE HE MONITOR	NOZZLE 1	ACCESSORY
		NOZZLE 2	
XXC32HENBBJ1	XX132A-HE BLITZFIRE MONITOR 2.5" BSPF X 2.5" BSPM	MD22A MAX-FORCE TIP 2.5" BSPF	
XXC32HENBBJ2	XX132A-HE BLITZFIRE MONITOR 2.5" BSPF X BSPM	MD28A MAX-MATIC TIP 2.5" BSPF	
XXC32HENBNH1	XX111A-HE BLITZFIRE MONITOR 2.5" NHF X 2.5" NHM	MD12A MAX-FORCE TIP 2.5" NHF	
XXC42HENBNH1	XX111A-HE BLITZFIRE MONITOR 2.5" NHF X 2.5" NHM	MST-3NJ 3 STACKED TIPS - 2.5" NHF	
XXC52HENBNH1	XX111A-HE BLITZFIRE MONITOR 2.5" NHF X 2.5" NHM	MD12A MAX-FORCE TIP 2.5" NHF	
		MST-3NJ 3 STACKED TIPS - 2.5" NHF	
XXC-32-HEBJ1	XX132A-HE BLITZFIRE MONITOR 2.5" BSPF X 2.5" BSPM	MD22A MAX-FORCE TIP 2.5" BSPF	XX-B STORAGE BRACKET - BLITZFIRE
XXC-32-HENH1	XX111A-HE BLITZFIRE MONITOR 2.5" NHF X 2.5" NHM	MD12A MAX-FORCE TIP 2.5" NHF	XX-B STORAGE BRACKET - BLITZFIRE
XXC-32-HESL1	XX161A-HE BLITZFIRE MONITOR 75 MM STORZ INLET X 2.5" NHM	MD12A MAX-FORCE TIP 2.5" NHF	XX-B STORAGE BRACKET - BLITZFIRE
XXC-32-HESL2	XX161A-HE BLITZFIRE MONITOR 75 MM STORZ INLET X 2.5" NHM	MD18A MAX-MATIC TIP 2.5" NHF	XX-B STORAGE BRACKET - BLITZFIRE
XXC-42-HENH1	XX111A-HE BLITZFIRE MONITOR 2.5" NHF X 2.5" NHM	MST-3NJ 3 STACKED TIPS - 2.5" NHF	XX-B STORAGE BRACKET - BLITZFIRE

BLITZFIRE HE Portable Monitor packages continued on the next page.

BLITZFIRE® HE Packages

BLITZFIRE HE PACKAGE MODEL	BLITZFIRE HE MONITOR	NOZZLE 1	ACCESSORY
		NOZZLE 2	
XXC-52-HEBJ1	XX132A-HE BLITZFIRE MONITOR 2.5" BSPF X 2.5" BSPM	MD22A MAX-FORCE TIP 2.5" BSPF	XX-B STORAGE BRACKET - BLITZFIRE
		MST-3BJ-M 3 STACKED TIPS 2.5" BSPF - METRIC	
XXC-52-HENH1	XX111A-HE BLITZFIRE MONITOR 2.5" NHF X 2.5" NHM	MD12A MAX-FORCE TIP 2.5" FEMALE	XX-B STORAGE BRACKET - BLITZFIRE
		MST-3NJ 3 STACKED TIPS - 2.5" FEMALE INLET	
XXC-52-HENH2	XX111A-HE BLITZFIRE MONITOR 2.5" NHF X 2.5" NHM	MD18A MAX-MATIC TIP 2.5" NHF	XX-B STORAGE BRACKET - BLITZFIRE
		MST-3NJ 3 STACKED TIPS - 2.5" NHF	

BLITZFIRE® HE OSC

High Elevation Oscillating Portable Monitor with Safety Shut-off Valve

TFTs' BLITZFIRE is a simple, light, and highly maneuverable attack monitor. The low elevation angle makes it suitable for use indoors. If the BLITZFIRE starts to slide or lift, the SAFETY Shut-off VALVE automatically shuts off the flow of water. The shut-off action slows near stroke end to reduce the effects of water hammer. To reset the flow, simply open the valve to any of six detent flow positions with the turbulence-free slide valve. The discharge pivots make directing the stream extremely quick

and effortless. A unique up/down pivot on the hose inlet allows the monitor to have stability even on porches and stair landings. Folding legs have replaceable carbide tipped spikes. An anchor strap is included for safe operation. Increased elevation range provides tactical advantage of stream placement. Oscillating feature will sweep nozzle 20°, 30° or 40° side to side. Manual override allows manual horizontal movement and easy re-engagement of automatic oscillation.



- Flows up to 500 gpm (2000 l/min)
- Elevation is manually adjustable between 10° and 86° above horizontal
- Nozzle automatically sweeps 10°, 15°, or 20° either side of center
- Oscillation can be disengaged for manual horizontal movement
- Body is hardcoat anodized aluminum
- Blue TFT powder coat finish inside and out
- Six detent flow positions with a turbulence free slide valve
- Standard inlet is 2.5" (64 mm) swivel rocker lug coupling. Standard outlet is 2.5" (64 mm) rigid male threads



- Stainless steel and hardcoat aluminum
- Can be mounted for rapid deployment of a pre-connected BLITZFIRE.
- Mounts on any accessible vertical or horizontal surface.
- 20" L x 8.5" W x 2" H (50.8 x 21.6 x 5.1 cm)

To add the oscillating feature to an existing BLITZFIRE HE, contact TFT's Service Department.

MODEL	DESCRIPTION
XX211A-HE	2.5" NHF INLET x 2.5" NHM OUTLET
XX232A-HE	2.5" BSPF INLET x 2.5" BSPM OUTLET
XX241A-HE	2.5" BICM INLET x 2.5" NHM OUTLET
XX261A-HE	75 mm Storz INLET x 2.5" NHM OUTLET
XX271A-HE	80 mm CSF INLET x 2.5" NHM OUTLET

BLITZFIRE HE OSC Portable Monitor Nozzles, Foam Attachments, Accessories and Packages on the next pages.

Frequently Purchased BLITZFIRE Portable Monitor Nozzles, Foam Attachments and Accessories

MASTER STREAM NOZZLES FOR PORTABLE MONITORS

The full line of Master Stream Nozzles can be found in the Master Stream Nozzles Manual section..



MODEL	TYPE	INLET	COUPLING	FLOW	LENGTH	WEIGHT
MD12A	Max-Force Dual Pressure	2.5" NH (64 mm)	Rigid Rocker Lug	100-500 gpm (400-2000 l/min) 100 psi (7 bar) / 55 psi (4 bar)	9.00" (22.9 cm)	6.7 lb (3.0 kg)
MD18A	Max-Matic Automatic	2.5" NH (64 mm)	Rigid Rocker Lug	100-500 gpm (400-2000 l/min) 100 psi (7 bar)	9.00" (22.9 cm)	6.5 lb (2.9 kg)
MD17A	Max-Matic Automatic	2.5" NH (64 mm)	Rigid Rocker Lug	100-500 gpm (400-2000 l/min) 80 psi (6 bar)	9.00" (22.9 cm)	6.5 lb (2.9 kg)
MD14A	Max-Flow Fixed Gallonage	2.5" NH (64 mm)	Rigid Rocker Lug	500 gpm (2000 l/min) 100 psi (7 bar)	9.00" (22.9 cm)	6.5 lb (2.9 kg)
MD22A	Max-Force Dual Pressure	2.5" BSP (64 mm)	Rigid Rocker Lug	100-500 gpm (400-2000 l/min) 100 psi (7 bar)/55 psi (4 bar)	9.00" (22.9 cm)	6.7 lb (3.0 kg)

PORTABLE MONITOR FOAM ATTACHMENT

The full line of foam attachments can be found in the Foam Equipment section.



MODEL	FITS NOZZLE	LENGTH	WEIGHT
FJ-MX-MD	Max-Series and ZN Series Industrial Nozzles	16.20" (41.1 cm)	4.6 lb (2.1 kg)

VORTEX FOR PORTABLE MONITORS

The full line of Vortex can be found in the Master Stream Nozzles Manual section..



MODEL	INLET	OUTLET	OPERATING SYSTEM	MAXIMUM PRESSURE	FLOW	LENGTH	WEIGHT
SVJ-NJNJ	2.5" NH (64 mm)	2.5" NH (64 mm)	MANUAL	300 psi (21 bar)	Up to 1250 gpm (up to 4500 l/min)	8.4" (21.3 cm)	5.5 lb (2.5 kg)

SMOOTHBORE TIPS FOR PORTABLE MONITORS

The full line of Smoothbore Tips can be found in the Master Stream Nozzles Manual section..



MODEL	INLET FEMALE	ORIFICE	LENGTH	WEIGHT
JSST10	2.5" NH (64 mm)	1.125" (29 mm) bore to 1.5" (38 mm) threaded male outlet	5.90" (15.0 cm)	1.8 lb (0.8 kg)
JSST11	2.5" NH (64 mm)	1.25" (32 mm) bore to 1.5" (38 mm) threaded male outlet	5.90" (15.0 cm)	1.8 lb (0.8 kg)
JSSTP-NF	1.5" NH (38 mm)	Smoothbore thread protector	0.88" (2.2 cm)	0.1 lb (0.1 kg)
MST-2NJ	2.5" NH (64 mm)	1.25", 1.125", and 1.0" (32 mm, 29 mm, and 25 mm)	9.63" (24.5 cm)	2.1 lb (1.0 kg)
MST-3NJ	2.5" NH (64 mm)	1.5", 1.25", and 1.0" (38, 32 and 25 mm)	11.80" (30.0 cm)	2.3 lb (1.0 kg)
MST-3BJ-M	2.5" BSP (64 mm)	38 mm, 32 mm, and 25 mm Metric flow & pressure	11.80" (30.0 cm)	2.3 lb (1.0 kg)
MST-5NJ	2.5" NH (64 mm)	1.75", 1.5", and 1.375" (44 mm, 38 mm, and 35 mm)	11.70" (29.7 cm)	3.0 lb (1.4 kg)

STREAM STRAIGHTENERS FOR PORTABLE MONITORS

The full line of Stream Straighteners can be found in the Master Stream Nozzles Manual section..



MODEL	RIGID FEMALE INLET	RIGID MALE OUTLET	LENGTH	WEIGHT
XF-SS5	2.5" NH (64 mm)	2.5" NH (64 mm)	5" (127 mm)	1.80 lb (0.80 kg)

BLITZFIRE® HE OSC Packages

BLITZFIRE HE OSC PACKAGE MODEL	BLITZFIRE HE OSC MONITOR	NOZZLE 1	ACCESSORY 1
		NOZZLE 2	ACCESSORY 2
XXC33HENBBJ1	XX232A-HE BLITZFIRE OSC 2.5" BSPF X 2.5" BSPM	MD22A MAX-FORCE TIP 2.5" BSPF	
XXC33HENBNH1	XX211A-HE BLITZFIRE OSC 2.5" NHF X 2.5" NHM	MD12A MAX-FORCE TIP 2.5" NHF	
XXC43HENBNH1	XX211A-HE BLITZFIRE OSC 2.5" NHF X 2.5" NHM	MST-3NJ 3 STACKED TIPS - 2.5" NHF	XF-SS5 STREAM STRAIGHTENER 5" 2.5" NH THREADS
XXC53HENBNH1	XX211A-HE BLITZFIRE OSC 2.5" NHF X 2.5" NHM	MD12A MAX-FORCE TIP 2.5" NHF	XF-SS5 STREAM STRAIGHTENER 5" 2.5" NH THREADS
		MST-3NJ 3 STACKED TIPS - 2.5" NHF	
XXC-33-HEBJ1	XX232A-HE BLITZFIRE OSC 2.5" BSPF X 2.5" BSPM	MD22A MAX-FORCE TIP 2.5" BSPF	XX-B STORAGE BRACKET - BLITZFIRE
XXC-33-HECSF	XX271A-HE BLITZFIRE-HE OSC 80 MM CSF X 2.5" NHM	MD12A MAX-FORCE TIP 2.5" NHF	XX-B STORAGE BRACKET - BLITZFIRE
XXC-33-HENH1	XX211A-HE BLITZFIRE OSC 2.5"NHF X 2.5" NHM	MD12A MAX-FORCE TIP 2.5"NHF	XX-B STORAGE BRACKET - BLITZFIRE
XXC-33-HESL1	XX261A-HE BLITZFIRE OSC 75 MM STORZ INLET X 2.5" NHM	MD12A MAX-FORCE TIP 2.5" NHF	XX-B STORAGE BRACKET - BLITZFIRE
XXC-33HEBICJ	XX241A-HE BLITZFIRE OSC 2.5" BIC M X 2.5" NHM	MD12A MAX-FORCE TIP 2.5" NHF	XX-B STORAGE BRACKET - BLITZFIRE
XXC-43-HEBJ1	XX232A-HE BLITZFIRE OSC 2.5" BSPF X 2.5" BSPM	MST-3BJ-M 3 STACKED TIPS 2.5" BSPF - METRIC	XF-SS5-BJ STREAM STRAIGHTENER 5" 2.5" BSP THREADS
			XX-B STORAGE BRACKET - BLITZFIRE

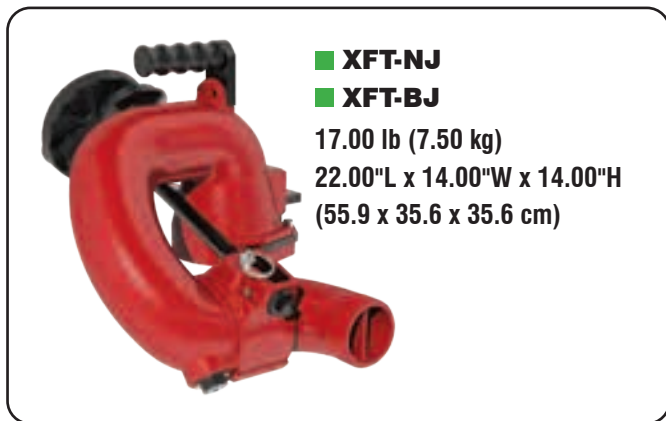
BLITZFIRE HE OSC Portable Monitor packages continued on the next page.

BLITZFIRE® HE OSC Packages

BLITZFIRE HE OSC PACKAGE MODEL	BLITZFIRE HE OSC MONITOR	NOZZLE 1	ACCESSORY 1
		NOZZLE 2	ACCESSORY 2
XXC-43-HENH1	XX211A-HE BLITZFIRE OSC 2.5" NHF X 2.5" NHM	MST-3NJ 3 STACKED TIPS - 2.5" NHF	XF-SS5 STREAM STRAIGHTENER 5" 2.5" NH THREADS
			XX-B STORAGE BRACKET - BLITZFIRE
XXC-53-HENH1	XX211A-HE BLITZFIRE OSC 2.5" NHF X 2.5" NHM	MD12A MAX-FORCE TIP 2.5" NHF	XF-SS5 STREAM STRAIGHTENER 5" 2.5" NH THREADS
		MST-3NJ 3 STACKED TIPS - 2.5" NHF	XX-B STORAGE BRACKET - BLITZFIRE

PORTABLE / DECK GUN MONITOR
CROSSFIRE® SERIES

The CROSSFIRE monitor is the most versatile master stream appliance ever offered to the fire service. Its lightweight, compact design and unique quick-release swivel joint allow for a faster and safer stream deployment in the portable attack mode. The Safe-Tak 1250 utilizes the revolutionary Safe-Tak "flow safety valve." Should the monitor lose contact



■ **XFT-NJ**
■ **XFT-BJ**
17.00 lb (7.50 kg)
22.00"L x 14.00"W x 14.00"H
(55.9 x 35.6 x 35.6 cm)

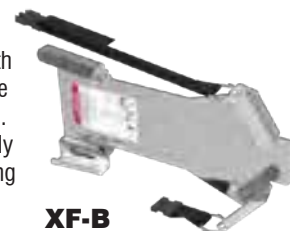
MODEL	DESCRIPTION
XFT-NJ	2.5" NHM OUTLET
XFT-BJ	2.5" BSPM OUTLET

with the ground surface, the Safe-Tak will automatically reduce flow to the monitor. This safety feature reduces the risk of injury from an out-of-control appliance. Monitor top and base are hardcoat anodized aluminum with a powder coat finish inside and out for superior corrosion protection. Truck mount adapter not included, order separately.

- Flow range up to 1250 gpm (4750 l/min)
- 2.5" (64 mm) outlet
- Can be connected to either a portable base or a truck with adapters or a TFT Extend-A-Gun with XL outlet.
- Large 3.25" (83 mm) waterway
- The connection is easy, positive, and visually verified
- 360° horizontal rotation
- Highly visible pressure gauge and a built-in automatic drain

CROSSFIRE STORAGE BRACKET

13 ga., 304 stainless steel bracket with strap holds the Safe-Tak 1250 portable base securely while being transported. This bracket can be mounted vertically or horizontally in any position, including the top or underside of a shelf, on a side wall, or on a compartment door. Includes quick release storage strap.



XF-B
14.75" x 7.75" x 2"
(37.5 x 19.7 x 5.1cm)
3.10 lb (1.40 kg)

PORTABLE / DECK GUN MONITOR
SAFE-TAK™ 1250 CROSSFIRE PORTABLE BASE WITH SAFETY VALVE

Portable bases are supplied with either two clappered swivel inlets or with a single full-time swivel inlet and include the SAFE-TAK "flow safety valve". The stainless steel, carbide-tipped base support legs can be folded to easily fit inside a small apparatus compartment, or for carrying pre-connected to a hose line. Includes a safety tie-down strap with attached storage cap.



SAFE-TAK 1250
XFH (see chart)**
• Includes SAFE-TAK™ VALVE for flows up to 1250 gpm (4700 l/min)

PORTABLE BASE INLET CHART - Please specify inlet thread.

Safe-Tak 1250 Model #	# Inlets	Inlet Size	Safe-Tak 1250	
			lbs	kg
XFH-1NL	1	3.0" NH (76 mm)	25.4	11.5
XFH-1NN	1	3.5" NH (89 mm)	25.6	11.6
XFH-1NP	1	4.0" NH (102 mm)	26.2	11.9
XFH-1NR	1	4.5" NH (114 mm)	26.3	12.0
XFH-1SP	1	4" Storz (102 mm)	27.0	12.2
XFH-1ST	1	5" Storz (127 mm)	28.7	13.0
XFH-1SX	1	6" Storz (152 mm)	30.4	13.8
XFH-2NJ	2	2.5" NH (64 mm)	23.8	10.8
XFH-2BIC	2	2.5" BICM (64 mm)	23.8	10.8
XFH-2BJ	2	2.5" BSPF (64 mm)	23.8	10.8

CROSSFIRE Monitor Mounting Options, Accessories Nozzles, Foam Attachments and Packages on the next pages.

Frequently Purchased CROSSFIRE Portable Monitor Nozzles, Foam Attachments and Accessories



MASTER FORCE NOZZLES FOR PORTABLE MONITORS

The full line of Master Stream Nozzles can be found in the Master Stream Nozzles Manual section.

MODEL	INLET	FLOW	OPERATING PRESSURE	LENGTH	WEIGHT
MC12A	2.5" NH (64 mm)	300-800 gpm (1100-3000 l/min)	100/55 psi (7/4 bar)	10.4" (26.4 cm)	9.5 lb (4.3 kg)



MASTER STREAM NOZZLES FOR PORTABLE MONITORS

The full line of Master Stream Nozzles can be found in the Master Stream Nozzles Manual section.

MODEL	INLET	OPERATING SYSTEM	FLOW	OPERATING PRESSURE	LENGTH	WEIGHT
M-R1000-NJ	2.5" NH (64 mm)	AUTOMATIC	150-1000 gpm (600-3800 l/min)	100 psi (7 bar)	10.0" (25.4 cm)	9.1 lb (4.1 kg)
M-R1250S-NJ	2.5" NH (64 mm)	AUTOMATIC	150-1250 gpm (570-4700 l/min)	100 psi (7 bar)	10.0" (25.4 cm)	10.4 lb (4.7 kg)
M-R1250S-BJ	2.5" BSP (64 mm)	AUTOMATIC	150-1250 gpm (570-4700 l/min)	100 psi (7 bar)	10.0" (25.4 cm)	10.4 lb (4.7 kg)



PORTABLE MONITOR FOAM ATTACHMENT

The full line of foam attachments can be found in the Foam Equipment section.

MODEL	FITS NOZZLE	LENGTH	WEIGHT
FJ-LX-M	Master Force, Master Stream 1000 & 1250S and Master Foam 250-750 gpm	25.30" (64.3 cm)	6.4 lb (2.9 kg)



VORTEX FOR PORTABLE MONITORS

The full line of Vortex can be found in the Master Stream Nozzles Manual section..

MODEL	INLET	OUTLET	OPERATING SYSTEM	MAXIMUM PRESSURE	FLOW	LENGTH	WEIGHT
SVJ-NJNJ	2.5" NH (64 mm)	2.5" NH (64 mm)	MANUAL	300 psi (21 bar)	Up to 1250 gpm (up to 4500 l/min)	8.4" (21.3 cm)	5.5 lb (2.5 kg)



SMOOTHBORE STACKED TIP FOR PORTABLE MONITORS

The full line of Smoothbore Stacked Tips can be found in the Master Stream Nozzles Manual section..

MODEL	INLET	ORIFICE OPENINGS	LENGTH	WEIGHT
MST-4NJ	2.5" NH (64 mm)	2", 1.75", 1.5", and 1.375" (51 mm, 44 mm, 38 mm and 35 mm)	16.90" (42.9 cm)	3.10 lb (1.40 kg)
MST-4BJ	2.5" BSP (64 mm)	2", 1.75", 1.5", and 1.375" (51 mm, 44 mm, 38 mm and 35 mm)	16.90" (42.9 cm)	3.10 lb (1.40 kg)



STREAM STRAIGHTENERS FOR PORTABLE MONITORS

The full line of Stream Straighteners can be found in the Master Stream Nozzles Manual section..

MODEL	RIGID FEMALE INLET	RIGID MALE OUTLET	LENGTH	WEIGHT
XF-SS5	2.5" NH (64 mm)	2.5" NH (64 mm)	5" (127 mm)	1.80 lb (0.80 kg)
XF-SS5-BJ	2.5" BSP (64 mm)	2.5" BSP (64 mm)	5" (127 mm)	1.80 lb (0.80 kg)
XF-SS10	2.5" NH (64 mm)	2.5" NH (64 mm)	10" (254 mm)	3.50 lb (1.90 kg)

Continued on next page.

Frequently Purchased CROSSFIRE Portable Monitor Nozzles, Foam Attachments and Accessories continued.



TRUCK ADAPTER, 3.0" NPT FEMALE

The full listing of CROSSFIRE accessories can be found in the CROSSFIRE Accessories pages.

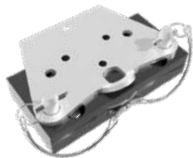
MODEL	THREADS	HEIGHT	DIAMETER	WEIGHT
XFF-APL	3" NPT Female (76 mm)	5.0" (127 mm)	6.7" dia (170 mm)	3.0 lb (1.4 kg)



EXTEND-A-GUN RC3 / CROSSFIRE ADAPTER

The full listing of CROSSFIRE accessories can be found in the CROSSFIRE Accessories pages.

MODEL	HEIGHT	DIAMETER	WEIGHT
XFF-RLF	5.0" (127 mm)	6.7" dia (170 mm)	4.2 lb (1.9 kg)



TRUCK MOUNTING BLOCK KIT

The full listing of CROSSFIRE accessories can be found in the CROSSFIRE Accessories pages.

MODEL	WEIGHT
XF400-KIT	8.3 lb (3.8 kg)



EXTEND-A-GUN PIPE

The full listing of CROSSFIRE accessories can be found in the CROSSFIRE Accessories pages.

MODEL	DESCRIPTION	WEIGHT
XG18XL-XL	Manual 16" (40.6 cm) extension pipe for CROSSFIRE monitor top	22.0 lb (10.0 kg)



FLANGE TRUCK MOUNT ADAPTER

The full listing of CROSSFIRE accessories can be found in the CROSSFIRE Accessories pages.

MODEL	FLANGE	BOLTS	INTERNAL THREADS	HEIGHT	DIAMETER	WEIGHT
XFF-MPL	3" ANSI 150 / DN80 PN16 (76 mm)	(4) 5/8"-11X3	NONE	5" (12.7 cm)	7.50" (19.1 cm)	6.9 lb (3.1 kg)
XFF-MPP	4" ANSI 150 (102 mm)	(8) 5/8"-11X3	4" NPT F	8" (20.3 cm)	9.00" (22.9 cm)	11.0 lb (5.0 kg)



COMPANION FLANGE

The full listing of CROSSFIRE accessories can be found in the CROSSFIRE Accessories pages.

MODEL	FLANGE	BOLTS	THREADS	DIAMETER	WEIGHT
XFF-CPL	3" ANSI 150 (76 mm)	4 - 5/8" (M16) (not included)	3" NPT Female (76 mm)	7.50" (19.1 cm)	3.0 lb (1.4 kg)

Continued on next page.

CROSSFIRE® SERIES ACCESSORIES

EXTEND-A-GUN PIPE

A simple and cost effective way to easily add 16"(40.6 cm) to your CROSSFIRE Deck gun outlet connection. Simply remove the CROSSFIRE monitor from the existing truck mount adapter, add the Extend-A-Gun Pipe and connect the CROSSFIRE top. Increases the field of fire by raising the CROSSFIRE monitor to clear obstructions on the top of the apparatus. Utilizes the same

quick connect features of the CROSSFIRE monitor. Visually verifiable rotation lock and locking mechanism.

- Made from hardcoat anodized aluminum alloy for lightweight and corrosion resistance.
- Not for use on Extend-A-Gun telescoping waterway.
- Not for use on portable ground base.



XG18XL-XL

MODEL	EXTENSION HEIGHT	DIAMETER	WEIGHT
XG18XL-XL	16" (40.6 cm)	3" (75 mm)	22.0 lb (10.0 kg)

Frequently Purchased Extend-A-Gun Pipe Accessories



**XFF-MPL
XFF-MPP**

FLANGE TRUCK MOUNT ADAPTER

For use on riser with companion flange. Compact, hardcoat anodized aluminum adapter allows the CROSSFIRE monitor to be easily utilized as a truck mounted deluge appliance. Hardware and gasket included.

MODEL	FLANGE	BOLTS	THREADS	HEIGHT	DIAMETER	WEIGHT
XFF-MPL	3" ANSI 150 / DN80 PN16 (76 mm)	(4) 5/8"-11X3	NONE	5" (12.7 cm)	7.50" (19.1 cm)	6.9 lb (3.1 kg)
XFF-MPP	4" ANSI 150 (102 mm)	(8) 5/8"-11X3	4" NPT F	8" (20.3 cm)	9.00" (22.9 cm)	11.0 lb (5.0 kg)



XFF-CPL

COMPANION FLANGE

- Gasket included.

MODEL	FLANGE	BOLTS	THREADS	DIAMETER	WEIGHT
XFF-CPL	3" ANSI 150 (76 mm)	4 - 5/8" (M16) (not included)	3" NPT Female (76 mm)	7.50" (19.1 cm)	3.0 lb (1.4 kg)



XFF-APL

TRUCK ADAPTER, 3.0" NPT FEMALE

Can be screwed directly on a 3.0" NPT (76 mm) male thread. This compact, hardcoat anodized adapter allows the CROSSFIRE monitor to be easily utilized as a truck mounted deluge appliance.

MODEL	THREADS	HEIGHT	DIAMETER	WEIGHT
XFF-APL	3" NPT Female (76 mm)	5.0" (127 mm)	6.7" dia (170 mm)	3.0 lb (1.4 kg)



XFF-RLF

EXTEND-A-GUN RC3/CROSSFIRE ADAPTER

This compact, hardcoat anodized adapter attaches to the electronically raised Extend-A-Gun RC3, allowing the CROSSFIRE monitor to be easily utilized as a truck mounted deluge appliance.

MODEL	HEIGHT	DIAMETER	WEIGHT
XFF-RLF	5.0" (125mm)	6.7" dia (170mm)	4.2 lb (1.9 kg)

CROSSFIRE® Packages

CROSSFIRE Combination Packages combine the most often purchased components into a simple-to-order package. Contact TFT customer service for assistance.



Product examples shown.
See chart for specific product package combinations.



CROSSFIRE PACKAGE MODEL	CROSSFIRE MONITOR	NOZZLE 1	ACCESSORY 1
	SAFE-TAK BASE	NOZZLE 2	ACCESSORY 2
XFC-12-1NP	XFT-NJ CROSSFIRE MONITOR TOP 2.5" NH MALE OUTLET		XF-B STORAGE BRACKET; CROSSFIRE
	XFH-1NP SAFE-TAK BASE 4.0" NH FEMALE		
XFC-12-1SP	XFT-NJ CROSSFIRE MONITOR TOP 2.5" NH MALE OUTLET		XF-B STORAGE BRACKET; CROSSFIRE
	XFH-1SP SAFE-TAK BASE 4.0" STORZ		
XFC-12-1ST	XFT-NJ CROSSFIRE MONITOR TOP 2.5" NH MALE OUTLET		XF-B STORAGE BRACKET; CROSSFIRE
	XFH-1ST SAFE-TAK BASE 5.0" STORZ		
XFC-12-2BICJ	XFT-BJ CROSSFIRE MONITOR TOP 2.5" BSPM OUTLET		XF-B STORAGE BRACKET; CROSSFIRE
	XFH-2BIC SAFE-TAK BASE 2.5" BIC MALE INLETS		
XFC-12-2BJ	XFT-BJ CROSSFIRE MONITOR TOP 2.5" BSPM OUTLET		XF-B STORAGE BRACKET; CROSSFIRE
	XFH-2BJ SAFE-TAK BASE 2.5" BSP FEMALE INLETS		
XFC-12-2NJ	XFT-NJ CROSSFIRE MONITOR TOP 2.5" NH MALE OUTLET		XF-B STORAGE BRACKET; CROSSFIRE
	XFH-2NJ SAFE-TAK BASE 2.5" NH FEMALE INLETS		

Continued on next page.

CROSSFIRE® Packages

CROSSFIRE PACKAGE MODEL	CROSSFIRE MONITOR	NOZZLE 1	ACCESSORY 1
	SAFE-TAK BASE	NOZZLE 2	ACCESSORY 2
XFC-12NB-2NJ	XFT-NJ CROSSFIRE MONITOR TOP 2.5" NH MALE OUTLET		
	XFH-2NJ SAFE-TAK BASE 2.5" NH FEMALE INLETS		
XFC-32-2BJ2	XFT-BJ CROSSFIRE MONITOR TOP 2.5" BSP MALE OUTLET	M-R1250S-NJ MASTER STREAM 1250S W/HALO AUTO 2.5" NH	XF-B STORAGE BRACKET; CROSSFIRE
	XFH-2BJ SAFE-TAK BASE 2.5" BSP FEMALE INLETS		
XFC-32-1ST2	XFT-NJ CROSSFIRE MONITOR TOP 2.5" NH MALE OUTLET	M-R1250S-BJ MASTER STREAM 1250S W/HALO AUTO 2.5" NH	XF-B STORAGE BRACKET; CROSSFIRE
	XFH-1ST SAFE-TAK BASE 5.0" STORZ		
XFC-32-2BJ3	XFT-BJ CROSSFIRE MONITOR TOP 2.5" BSPM OUTLET	M-RS4000-BJ MASTER STREAM 4000 W/HALO SELECT 2.5" BSP	XF-B STORAGE BRACKET; CROSSFIRE
	XFH-2BJ SAFE-TAK BASE 2.5" BSP FEMALE INLETS		
XFC-32-2NJ1	XFT-NJ CROSSFIRE MONITOR TOP 2.5" NH MALE OUTLET	M-R1000-NJ MASTER STREAM 1000 W/HALO AUTO 2.5" NH	XF-B STORAGE BRACKET; CROSSFIRE
	XFH-2NJ SAFE-TAK BASE 2.5" NH FEMALE INLETS		
XFC-32-2NJ2	XFT-NJ CROSSFIRE MONITOR TOP 2.5" NH MALE OUTLET	M-R1250S-NJ MASTER STREAM 1250S W/HALO AUTO 2.5" NH	XF-B STORAGE BRACKET; CROSSFIRE
	XFH-2NJ SAFE-TAK BASE 2.5" NH FEMALE INLETS		
XFC-32-2PBJ2	XFT-BJ CROSSFIRE MONITOR TOP 2.5" BSPM OUTLET	MP-R1250S-BJ MASTER STREAM 1250S W/HALO AUTO 2.5" BSP	XF-B STORAGE BRACKET; CROSSFIRE
	XPH-2BJ SAFE-TAK BASE 2.5" BSP FEMALE INLETS		
XFC-32-2SL2	XFT-NJ CROSSFIRE MONITOR TOP 2.5" NH MALE OUTLET	M-R1250S-NJ MASTER STREAM 1250S W/HALO AUTO 2.5" NH	XF-B STORAGE BRACKET; CROSSFIRE
	XFH-2SL SAFE-TAK BASE 75 MM STORZ (3")		
XFC-42-1SP-L	XFT-NJ CROSSFIRE MONITOR TOP 2.5" NH MALE OUTLET	MST-4NJ 4 STACKED TIPS 2.5" NH	XF-SS10 STREAM STRAIGHTENER 10" 2.5" NH THREADS
	XFH-1SP SAFE-TAK BASE 4.0" STORZ		XF-B STORAGE BRACKET; CROSSFIRE
XFC-42-1SP-S	XFT-NJ CROSSFIRE MONITOR TOP 2.5" NH MALE OUTLET	MST-4NJ 4 STACKED TIPS 2.5" FEMALE	XF-SS5 STREAM STRAIGHTENER 5" 2.5" NH THREADS
	XFH-1SP SAFE-TAK BASE 4.0" STORZ		XF-B STORAGE BRACKET; CROSSFIRE

Continued on next page.

CROSSFIRE® Packages

CROSSFIRE PACKAGE MODEL	CROSSFIRE MONITOR	NOZZLE 1	ACCESSORY 1
	SAFE-TAK BASE	NOZZLE 2	ACCESSORY 2
XFC-42-1ST-L	XFT-NJ CROSSFIRE MONITOR TOP 2.5" NH MALE OUTLET	MST-4NJ 4 STACKED TIPS 2.5" NH	XF-SS10 STREAM STRAIGHTENER 10" 2.5" NH THREADS
	XFH-1ST SAFE-TAK BASE 5.0" STORZ		XF-B STORAGE BRACKET; CROSSFIRE
XFC-42-1ST-S	XFT-NJ CROSSFIRE MONITOR TOP 2.5" NH MALE OUTLET	MST-4NJ 4 STACKED TIPS 2.5" NH	XF-SS5 STREAM STRAIGHTENER 5" 2.5" NH THREADS
	XFH-1ST SAFE-TAK BASE 5.0" STORZ		XF-B STORAGE BRACKET; CROSSFIRE
XFC-42-2NJ-L	XFT-NJ CROSSFIRE MONITOR TOP 2.5" NH MALE OUTLET	MST-4NJ 4 STACKED TIPS 2.5" NH	XF-SS10 STREAM STRAIGHTENER 10" 2.5" NH THREADS
	XFH-2NJ SAFE-TAK BASE 2.5" FEMALE INLETS		XF-B STORAGE BRACKET; CROSSFIRE
XFC-42-2NJ-S	XFT-NJ CROSSFIRE MONITOR TOP 2.5" NH MALE OUTLET	MST-4NJ 4 STACKED TIPS 2.5" NH	XF-SS5 STREAM STRAIGHTENER 5" 2.5" NH THREADS
	XFH-2NJ SAFE-TAK BASE 2.5" FEMALE INLETS		XF-B STORAGE BRACKET; CROSSFIRE
XFC-52-1NL3L	XFT-NJ CROSSFIRE MONITOR TOP 2.5" NH MALE OUTLET	M-R1250-NJ MASTER STREAM 1250 W/HALO AUTO 2.5" NH	XF-SS10 STREAM STRAIGHTENER 10" 2.5" NH THREADS
	XFH-1NL SAFE-TAK BASE 3.0" NH FEMALE	MST-4NJ 4 STACKED TIPS 2.5" NH	XF-B STORAGE BRACKET; CROSSFIRE
XFC-52-1NL3S	XFT-NJ CROSSFIRE MONITOR TOP 2.5" NH MALE OUTLET	M-R1250-NJ MASTER STREAM 1250 W/HALO AUTO 2.5" NH	XF-SS5 STREAM STRAIGHTENER 5" 2.5" NH THREADS
	XFH-1NL SAFE-TAK BASE 3.0" NH FEMALE	MST-4NJ 4 STACKED TIPS 2.5" NH	XF-B STORAGE BRACKET; CROSSFIRE
XFC-52-1SP1L	XFT-NJ CROSSFIRE MONITOR TOP 2.5" NH MALE OUTLET	M-R1000-NJ MASTER STREAM 1000 W/HALO AUTO 2.5" NH	XF-SS10 STREAM STRAIGHTENER 10" 2.5" NH THREADS
	XFH-1SP SAFE-TAK BASE 4.0" STORZ	MST-4NJ 4 STACKED TIPS 2.5" NH	XF-B STORAGE BRACKET; CROSSFIRE
XFC-52-1SP1S	XFT-NJ CROSSFIRE MONITOR TOP 2.5" NH MALE OUTLET	M-R1000-NJ MASTER STREAM 1000 W/HALO AUTO 2.5" NH	XF-SS5 STREAM STRAIGHTENER 5" 2.5" NH THREADS
	XFH-1SP SAFE-TAK BASE 4.0" STORZ	MST-4NJ 4 STACKED TIPS 2.5" NH	XF-B STORAGE BRACKET; CROSSFIRE
XFC-52-1SP2L	XFT-NJ CROSSFIRE MONITOR TOP 2.5" NH MALE OUTLET	M-R1250S-NJ MASTER STREAM 1250S W/HALO AUTO 2.5" NH	XF-SS10 STREAM STRAIGHTENER 10" 2.5" NH THREADS
	XFH-1SP SAFE-TAK BASE 4.0" STORZ	MST-4NJ 4 STACKED TIPS 2.5" NH	XF-B STORAGE BRACKET; CROSSFIRE
XFC-52-1SP2S	XFT-NJ CROSSFIRE MONITOR TOP 2.5" MALE OUTLET	M-R1250S-NJ MASTER STREAM 1250S W/HALO AUTO 2.5" NH	XF-SS5 STREAM STRAIGHTENER 5" 2.5" NH THREADS
	XFH-1SP SAFE-TAK BASE 4.0" STORZ	MST-4NJ 4 STACKED TIPS 2.5" FEMALE	XF-B STORAGE BRACKET; CROSSFIRE

Continued on next page.

CROSSFIRE® Packages

CROSSFIRE PACKAGE MODEL	CROSSFIRE MONITOR	NOZZLE 1	ACCESSORY 1
	SAFE-TAK BASE	NOZZLE 2	ACCESSORY 2
XFC-52-1ST1L	XFT-NJ CROSSFIRE MONITOR TOP 2.5" NH MALE OUTLET	M-R1000-NJ MASTER STREAM 1000 W/HALO AUTO 2.5" NH	XF-SS10 STREAM STRAIGHTENER 10" 2.5" NH THREADS
	XFH-1ST SAFE-TAK BASE 5.0" STORZ	MST-4NJ 4 STACKED TIPS 2.5" NH	XF-B STORAGE BRACKET; CROSSFIRE
XFC-52-1ST1S	XFT-NJ CROSSFIRE MONITOR TOP 2.5" NH MALE OUTLET	M-R1000-NJ MASTER STREAM 1000 W/HALO AUTO 2.5"NH	XF-SS5 STREAM STRAIGHTENER 5" 2.5" NH THREADS
	XFH-1ST SAFE-TAK BASE 5.0" STORZ	MST-4NJ 4 STACKED TIPS 2.5" NH	XF-B STORAGE BRACKET; CROSSFIRE
XFC-52-1ST2L	XFT-NJ CROSSFIRE MONITOR TOP 2.5" NH MALE OUTLET	M-R1250S-NJ MASTER STREAM 1250S W/HALO AUTO 2.5" NH	XF-SS10 STREAM STRAIGHTENER 10" 2.5" NH THREADS
	XFH-1ST SAFE-TAK BASE 5.0" STORZ	MST-4NJ 4 STACKED TIPS 2.5" NH	XF-B STORAGE BRACKET; CROSSFIRE
XFC-52-1ST2S	XFT-NJ CROSSFIRE MONITOR TOP 2.5" NH MALE OUTLET	M-R1250S-NJ MASTER STREAM 1250S W/HALO AUTO 2.5" NH	XF-SS5 STREAM STRAIGHTENER 5" 2.5" NH THREADS
	XFH-1ST SAFE-TAK BASE 5.0" STORZ	MST-4NJ 4 STACKED TIPS 2.5" NH	XF-B STORAGE BRACKET; CROSSFIRE
XFC-52-2NJ1L	XFT-NJ CROSSFIRE MONITOR TOP 2.5" NH MALE OUTLET	M-R1000-NJ MASTER STREAM 1000 W/HALO AUTO 2.5" NH	XF-SS10 STREAM STRAIGHTENER 10" 2.5" NH THREADS
	XFH-2NJ SAFE-TAK BASE 2.5" FEMALE INLETS	MST-4NJ 4 STACKED TIPS 2.5" NH	XF-B STORAGE BRACKET; CROSSFIRE
XFC-52-2NJ1S	XFT-NJ CROSSFIRE MONITOR TOP 2.5" NH MALE OUTLET	M-R1000-NJ MASTER STREAM 1000 W/HALO AUTO 2.5" NH	XF-SS5 STREAM STRAIGHTENER 5" 2.5" NH THREADS
	XFH-2NJ SAFE-TAK BASE 2.5" FEMALE INLETS	MST-4NJ 4 STACKED TIPS 2.5" NH	XF-B STORAGE BRACKET; CROSSFIRE
XFC-52-2NJ2L	XFT-NJ CROSSFIRE MONITOR TOP 2.5" NH MALE OUTLET	M-R1250S-NJ MASTER STREAM 1250S W/HALO AUTO 2.5" NH	XF-SS10 STREAM STRAIGHTENER 10" 2.5" NH THREADS
	XFH-2NJ SAFE-TAK BASE 2.5" FEMALE INLETS	MST-4NJ 4 STACKED TIPS 2.5" NH	XF-B STORAGE BRACKET; CROSSFIRE
XFC-52-2NJ2S	XFT-NJ CROSSFIRE MONITOR TOP 2.5" NH MALE OUTLET	M-R1250S-NJ MASTER STREAM 1250S W/HALO AUTO 2.5" NH	XF-SS5 STREAM STRAIGHTENER 5" 2.5" NH THREADS
	XFH-2NJ SAFE-TAK BASE 2.5" FEMALE INLETS	MST-4NJ 4 STACKED TIPS 2.5" NH	XF-B STORAGE BRACKET; CROSSFIRE
XFC-52-2NJ3L	XFT-NJ CROSSFIRE MONITOR TOP 2.5" NH MALE OUTLET	M-R1250-NJ MASTER STREAM 1250 W/HALO AUTO 2.5" NH	XF-SS10 STREAM STRAIGHTENER 10" 2.5" NH THREADS
	XFH-2NJ SAFE-TAK BASE 2.5" FEMALE INLETS	MST-4NJ 4 STACKED TIPS 2.5" NH	XF-B STORAGE BRACKET; CROSSFIRE
XFC-52-2NJ3S	XFT-NJ CROSSFIRE MONITOR TOP 2.5" NH MALE OUTLET	M-R1250-NJ MASTER STREAM 1250 W/HALO AUTO 2.5" NH	XF-SS5 STREAM STRAIGHTENER 5" 2.5" NH THREADS
	XFH-2NJ SAFE-TAK BASE 2.5" FEMALE INLETS	MST-4NJ 4 STACKED TIPS 2.5" NH	XF-B STORAGE BRACKET; CROSSFIRE

Continued on next page.

CROSSFIRE® Packages

CROSSFIRE PACKAGE MODEL	CROSSFIRE MONITOR	NOZZLE 1	ACCESSORY 1
	SAFE-TAK BASE	NOZZLE 2	ACCESSORY 2
XFC-322BICJ2	XFT-NJ CROSSFIRE MONITOR TOP 2.5" MALE OUTLET	M-R1250S-NJ MASTER STREAM 1250S W/HALO AUTO 2.5" NH	XF-B STORAGE BRACKET; CROSSFIRE
	XFH-2BIC SAFE-TAK BASE 2.5" BIC MALE INLETS		
XFC-322BICJ3	XFT-BJ CROSSFIRE MONITOR TOP 2.5" BSPM OUTLET	M-RS4000-BJ MASTER STREAM 4000 W/HALO SELECT 2.5" BSP	XF-B STORAGE BRACKET; CROSSFIRE
	XFH-2BIC SAFE-TAK BASE 2.5" BIC MALE INLETS		

CROSSFIRE® with Extend-A-Gun Packages

CROSSFIRE PACKAGE MODEL	EXTEND-A-GUN	CROSSFIRE MONITOR	NOZZLE 1	ACCESSORY 1
	EXTEND-A-GUN BRACKET	SAFE-TAK BASE	NOZZLE 2	ACCESSORY 2
XFCV821ST1L	XG18VL-XL EXTEND-A-GUN 18"- VIC X CROSSFIRE OUTLET	XFT-NJ CROSSFIRE MONITOR TOP 2.5" NH MALE OUTLET	M-R1000-NJ MASTER STREAM 1000 W/HALO AUTO 2.5" NH	XF-SS10 STREAM STRAIGHTENER 10" 2.5" NH THREADS
	XGB-23 BRACKET SET 3" PLATE/SADDLE	XFH-1ST SAFE-TAK BASE 5.0" STORZ	MST-4NJ 4 STACKED TIPS 2.5" NH	XF-B STORAGE BRACKET; CROSSFIRE
XFCV821ST1S	XG18VL-XL EXTEND-A-GUN 18"- VIC X CROSSFIRE OUTLET	XFT-NJ CROSSFIRE MONITOR TOP 2.5" NH MALE OUTLET	M-R1000-NJ MASTER STREAM 1000 W/HALO AUTO 2.5" NH	XF-SS5 STREAM STRAIGHTENER 5" 2.5" NH THREADS
	XGB-23 BRACKET SET 3" PLATE/SADDLE	XFH-1ST SAFE-TAK BASE 5.0" STORZ	MST-4NJ 4 STACKED TIPS 2.5" NH	XF-B STORAGE BRACKET; CROSSFIRE
XFCV821ST2L	XG18VL-XL EXTEND-A-GUN 18"- VIC X CROSSFIRE OUTLET	XFT-NJ CROSSFIRE MONITOR TOP 2.5" NH MALE OUTLET	M-R1250S-NJ MASTER STREAM 1250S W/HALO AUTO 2.5" NH	XF-SS10 STREAM STRAIGHTENER 10" 2.5" NH THREADS
	XGB-23 BRACKET SET 3" PLATE/SADDLE	XFH-1ST SAFE-TAK BASE 5.0" STORZ	MST-4NJ 4 STACKED TIPS 2.5" NH	XF-B STORAGE BRACKET; CROSSFIRE
XFCV821ST2S	XG18VL-XL EXTEND-A-GUN 18"- VIC X CROSSFIRE OUTLET	XFT-NJ CROSSFIRE MONITOR TOP 2.5" NH MALE OUTLET	M-R1250S-NJ MASTER STREAM 1250S W/HALO AUTO 2.5" NH	XF-SS5 STREAM STRAIGHTENER 5" 2.5" NH THREADS
	XGB-23 BRACKET SET 3" PLATE/SADDLE	XFH-1ST SAFE-TAK BASE 5.0" STORZ	MST-4NJ 4 STACKED TIPS 2.5" NH	XF-B STORAGE BRACKET; CROSSFIRE
XFCV822NJ1L	XG18VL-XL EXTEND-A-GUN 18"- VIC X CROSSFIRE OUTLET	XFT-NJ CROSSFIRE MONITOR TOP 2.5" NH MALE OUTLET	M-R1000-NJ MASTER STREAM 1000 W/HALO AUTO 2.5" NH	XF-SS10 STREAM STRAIGHTENER 10" 2.5" NH THREADS
	XGB-23 BRACKET SET 3" PLATE/SADDLE	XFH-2NJ SAFE-TAK BASE 2.5" FEMALE INLETS	MST-4NJ 4 STACKED TIPS 2.5" NH	XF-B STORAGE BRACKET; CROSSFIRE
XFCV822NJ1S	XG18VL-XL EXTEND-A-GUN 18"- VIC X CROSSFIRE OUTLET	XFT-NJ CROSSFIRE MONITOR TOP 2.5" NH MALE OUTLET	M-R1000-NJ MASTER STREAM 1000 W/HALO AUTO 2.5" NH	XF-SS5 STREAM STRAIGHTENER 5" 2.5" NH THREADS
	XGB-23 BRACKET SET 3" PLATE/SADDLE	XFH-2NJ SAFE-TAK BASE 2.5" FEMALE INLETS	MST-4NJ 4 STACKED TIPS 2.5" NH	XF-B STORAGE BRACKET; CROSSFIRE

Continued on next page.

CROSSFIRE® with Extend-A-Gun Packages

CROSSFIRE PACKAGE MODEL	EXTEND-A-GUN	CROSSFIRE MONITOR	NOZZLE 1	ACCESSORY 1
	EXTEND-A-GUN BRACKET	SAFE-TAK BASE	NOZZLE 2	ACCESSORY 2
XFCV822NJ2L	XG18VL-XL EXTEND-A-GUN 18"- VIC X CROSSFIRE OUTLET	XFT-NJ CROSSFIRE MONITOR TOP 2.5" NH MALE OUTLET	M-R1250S-NJ MASTER STREAM 1250S W/HALO AUTO 2.5" NH	XF-SS10 STREAM STRAIGHTENER 10" 2.5" NH THREADS
	XGB-23 BRACKET SET 3" PLATE/SADDLE	XFH-2NJ SAFE-TAK BASE 2.5" FEMALE INLETS	MST-4NJ 4 STACKED TIPS 2.5" NH	XF-B STORAGE BRACKET; CROSSFIRE
XFCV822NJ2S	XG18VL-XL EXTEND-A-GUN 18"- VIC X CROSSFIRE OUTLET	XFT-NJ CROSSFIRE MONITOR TOP 2.5" NH MALE OUTLET	M-R1250S-NJ MASTER STREAM 1250S W/HALO AUTO 2.5" NH	XF-SS5 STREAM STRAIGHTENER 5" 2.5" NH THREADS
	XGB-23 BRACKET SET 3" PLATE/SADDLE	XFH-2NJ SAFE-TAK BASE 2.5" FEMALE INLETS	MST-4NJ 4 STACKED TIPS 2.5" NH	XF-B STORAGE BRACKET; CROSSFIRE
XFCV831ST1L	XG18VL-XL EXTEND-A-GUN 18"- VIC X CROSSFIRE OUTLET	XFT-NJ CROSSFIRE MONITOR TOP 2.5" NH MALE OUTLET	M-R1000-NJ MASTER STREAM 1000 W/HALO AUTO 2.5" NH	XF-SS10 STREAM STRAIGHTENER 10" 2.5" NH THREADS
	XGB-33 BRACKET SET 3" SADDLE/SADDLE	XFH-1ST SAFE-TAK BASE 5.0" STORZ	MST-4NJ 4 STACKED TIPS 2.5" NH	XF-B STORAGE BRACKET; CROSSFIRE
XFCV831ST1S	XG18VL-XL EXTEND-A-GUN 18"- VIC X CROSSFIRE OUTLET	XFT-NJ CROSSFIRE MONITOR TOP 2.5" NH MALE OUTLET	M-R1000-NJ MASTER STREAM 1000 W/HALO AUTO 2.5" NH	XF-SS5 STREAM STRAIGHTENER 5" 2.5" NH THREADS
	XGB-33 BRACKET SET 3" SADDLE/SADDLE	XFH-1ST SAFE-TAK BASE 5.0" STORZ	MST-4NJ 4 STACKED TIPS 2.5" NH	XF-B STORAGE BRACKET; CROSSFIRE
XFCV831ST2L	XG18VL-XL EXTEND-A-GUN 18"- VIC X CROSSFIRE OUTLET	XFT-NJ CROSSFIRE MONITOR TOP 2.5" NH MALE OUTLET	M-R1250S-NJ MASTER STREAM 1250S W/HALO AUTO 2.5" NH	XF-SS10 STREAM STRAIGHTENER 10" 2.5" NH THREADS
	XGB-33 BRACKET SET 3" SADDLE/SADDLE	XFH-1ST SAFE-TAK BASE 5.0" STORZ	MST-4NJ 4 STACKED TIPS 2.5" NH	XF-B STORAGE BRACKET; CROSSFIRE
XFCV831ST2S	XG18VL-XL EXTEND-A-GUN 18"- VIC X CROSSFIRE OUTLET	XFT-NJ CROSSFIRE MONITOR TOP 2.5" NH MALE OUTLET	M-R1250S-NJ MASTER STREAM 1250S W/HALO AUTO 2.5" NH	XF-SS5 STREAM STRAIGHTENER 5" 2.5" NH THREADS
	XGB-33 BRACKET SET 3" SADDLE/SADDLE	XFH-1ST SAFE-TAK BASE 5.0" STORZ	MST-4NJ 4 STACKED TIPS 2.5" NH	XF-B STORAGE BRACKET; CROSSFIRE
XFCV832NJ1L	XG18VL-XL EXTEND-A-GUN 18"- VIC X CROSSFIRE OUTLET	XFT-NJ CROSSFIRE MONITOR TOP 2.5" NH MALE OUTLET	M-R1000-NJ MASTER STREAM 1000 W/HALO AUTO 2.5" NH	XF-SS10 STREAM STRAIGHTENER 10" 2.5" NH THREADS
	XGB-33 BRACKET SET 3" SADDLE/SADDLE	XFH-2NJ SAFE-TAK BASE 2.5" FEMALE INLETS	MST-4NJ 4 STACKED TIPS 2.5" NH	XF-B STORAGE BRACKET; CROSSFIRE
XFCV832NJ1S	XG18VL-XL EXTEND-A-GUN 18"- VIC X CROSSFIRE OUTLET	XFT-NJ CROSSFIRE MONITOR TOP 2.5" NH MALE OUTLET	M-R1000-NJ MASTER STREAM 1000 W/HALO AUTO 2.5" NH	XF-SS5 STREAM STRAIGHTENER 5" 2.5" NH THREADS
	XGB-33 BRACKET SET 3" SADDLE/SADDLE	XFH-2NJ SAFE-TAK BASE 2.5" FEMALE INLETS	MST-4NJ 4 STACKED TIPS 2.5" NH	XF-B STORAGE BRACKET; CROSSFIRE
XFCV832NJ2L	XG18VL-XL EXTEND-A-GUN 18"- VIC X CROSSFIRE OUTLET	XFT-NJ CROSSFIRE MONITOR TOP 2.5" NH MALE OUTLET	M-R1250S-NJ MASTER STREAM 1250S W/HALO AUTO 2.5" NH	XF-SS10 STREAM STRAIGHTENER 10" 2.5" NH THREADS
	XGB-33 BRACKET SET 3" SADDLE/SADDLE	XFH-2NJ SAFE-TAK BASE 2.5" FEMALE INLETS	MST-4NJ 4 STACKED TIPS 2.5" NH	XF-B STORAGE BRACKET; CROSSFIRE
XFCV832NJ2S	XG18VL-XL EXTEND-A-GUN 18"- VIC X CROSSFIRE OUTLET	XFT-NJ CROSSFIRE MONITOR TOP 2.5" NH MALE OUTLET	M-R1250S-NJ MASTER STREAM 1250S W/HALO AUTO 2.5" NH	XF-SS5 STREAM STRAIGHTENER 5" 2.5" NH THREADS
	XGB-33 BRACKET SET 3" SADDLE/SADDLE	XFH-2NJ SAFE-TAK BASE 2.5" FEMALE INLETS	MST-4NJ 4 STACKED TIPS 2.5" NH	XF-B STORAGE BRACKET; CROSSFIRE

HEMISPHERE™
Transportable Monitor

The HEMISPHERE is a versatile, lightweight, and quick to deploy portable monitor that gives the user the ability to quickly establish water flow in locations that ground monitors cannot. Since the Hemisphere doesn't rely on gravity for stability, it can be pointed horizontal and down, in addition to up, unlike portable ground monitors. The rotating, swiveling waterway allows the stream to be pointed in virtually any direction within a hemispherical range without interrupting water flow. A variety of mounts, including an I-beam clamp

that doubles as a 2" (51 mm) hitch mount, a dedicated hitch mount, and fixed mounts provide the user the ability to quickly attach the monitor and establish coverage on the fire ground or in preplanned locations. An integrated quarter-turn aluminum half ball valve with locking handle provides shut-off capability. The monitor and valve bodies are hardcoat anodized aluminum inside and out with a blue TFT powder coat finish.



- **HPM111A**
- **HPM132A***
- **HPM142A***
- **HPM161A**
- **HPM191A**

21.9 lb (9.9 kg)
 11.2" (28.4 cm) Height
 11.6" (29.5 cm) Width
 21.1" (53.6 cm) Depth

- **HPMG111A**
 with Pressure Gauge

23.4 lb (10.6 kg)
 11.2" (28.4 cm) Height
 11.6" (29.5 cm) Width
 21.1" (53.6 cm) Depth

- Flow range up to 500 gpm (2000 l/min)
- Swiveling 45° valved inlet and a rotating swiveling outlet
- Outlet is manually adjustable via a double ball swivel, angled 40° from the main waterway, capable of sweeping 80°, and can be rotated about the main waterway a full 360° by a hand crank
- Outlet has a built-in stream straightener
- Water pressurized pins prevent the monitor from releasing while flowing



- Optional 0-300 psi (0-20 bar) pressure gauge available
- Protective ring and lens cover
- Gauge reads inlet pressure when valve is closed

MODEL	DESCRIPTION
HPM111A	2.5" NH INLET & OUTLET
HPM132A*	2.5" BSP INLET & OUTLET
HPM142A*	2.5" BICM X 2.5" BSPM
HPM161A	75 mm STORZ INLET X 2.5" NH OUTLET
HPM191A	65 mm STORZ INLET X 2.5" NH OUTLET
HPMG111A+	2.5" NH INLET & OUTLET

* EN15767-1 Compliant + with Pressure Gauge



Hemisphere Monitor Mounting Options, Accessories Nozzles, Foam Attachments and Packages on the next pages.

HEMISPHERE™

Transportable Monitor Mounting Options

This hardcoat anodized aluminum and stainless steel clamps can be quickly attached to objects such as: an I-beam, stair rails, tank lip, industrial scaffolding, round and various other odd shaped objects by one person without the use of tools. The mount and clamp jaws can be moved to any of the 42 positions on the backbone for maximum versatility. Detented pins hold the mount and jaws in place and a travel stop keeps

the pins attached to prevent them from being dropped or lost. Once the clamp is secured, the Hemisphere monitor is attached to the clamp by sliding the socket at the base of the monitor over the mount. The jaws can be removed and the backbone can be inserted into any standard 2" (51 mm) hitch giving the ability to quickly add a monitor to most vehicles without costly modifications.

All Hemisphere Mounting Options Adjust Quickly and Easily

I-Beam Clamp/2" Hitch Mount

HPM-A

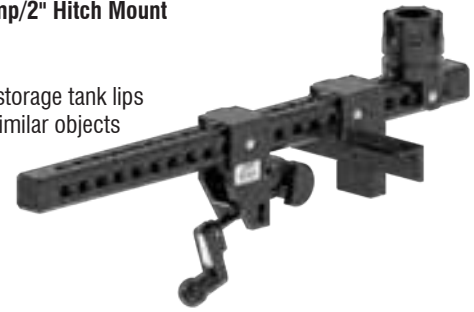
- Clamps to I-beams and other similar objects



Tank Lip Clamp/2" Hitch Mount

HPM-F

- Clamps to storage tank lips and other similar objects



Parallel Bar Clamp/2" Hitch Mount

HPM-G

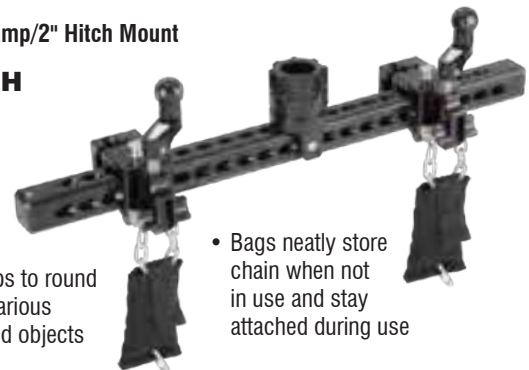
- Clamps to industrial scaffolding and other similar objects



Flex Clamp/2" Hitch Mount

HPM-H

- Clamps to round and various shaped objects
- Bags neatly store chain when not in use and stay attached during use



MODEL	MOUNTING BRACKET SET	HEIGHT	WIDTH	DEPTH	WEIGHT
HPM-A	I BEAM CLAMP 2" (51 mm) HITCH MOUNT	5.7" (14.5 cm)	6.4" (16.3 cm)	33.1" (84.1 cm)	19.2 lb (8.7 kg)
HPM-F	TANK LIP CLAMP 2" (51 mm) HITCH MOUNT	5.7" (14.5 cm)	6.4" (16.3 cm)	33.1" (84.1 cm)	22.0 lb (10.0 kg)
HPM-G	PARALLEL BAR CLAMP 2" (51 mm) HITCH MOUNT	5.7" (14.5 cm)	6.4" (16.3 cm)	33.1" (84.1 cm)	20.6 lb (9.3 kg)
HPM-H	FLEX CLAMP 2" (51 mm) HITCH MOUNT	7.7" (19.6 cm)	9.2" (23.4 cm)	33.1" (84.1 cm)	25.5 lb (11.6 kg)



TANK LIP



STAIR RAILING



FRAMING MEMBER

HEMISPHERE™

Transportable Monitor Accessories

Hardcoat anodized aluminum and stainless steel clamp jaws attach to the 2" (51 mm) backbone/hitch mount to provide a clamp that can be quickly attached to objects such as: an I-beam, stair rails, tank lip,

industrial scaffolding, round and various other odd shaped objects by one person without the use of tools. Add additional clamp sets to your existing backbone to make it more versatile.

Backbone Hitch Mount HPM-N

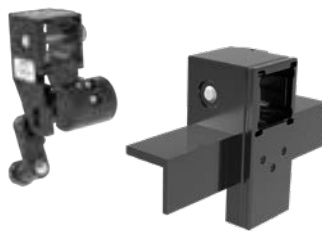


- Standard Backbone replacement
- Can be used in vehicle hitch receiver
- Requires HPM-E Cross-Pin Mount

I-Beam Clamp HPM-J



Tank Lip Clamp HPM-K



Fixed Mount HPM-B

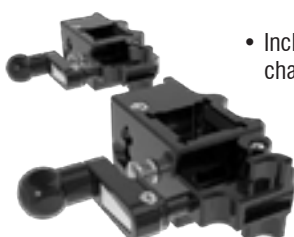


- Install in pre-planned coverage areas

Parallel Bar Clamp HPM-L

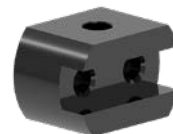


Flex Clamp Chain Blocks HPM-M



- Includes chains

Mounting Block HPM-D



- Install in pre-planned coverage areas
- Requires HPM-E Cross-Pin Mount

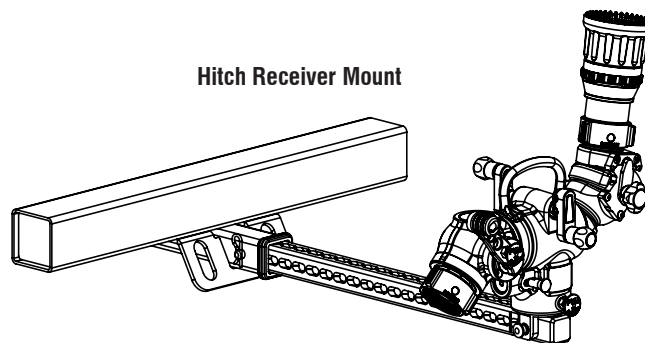
Cross-Pin Mount HPM-E



- Standard Hemisphere mount
- Used with HPM-N Backbone or HPM-D Mounting Block

MODEL	TYPE OF JAWS	WEIGHT
HPM-J	I BEAM CLAMP	7.7 lb (3.5 kg)
HPM-K	TANK LIP CLAMP	10.5 lb (4.8 kg)
HPM-L	PARALLEL BAR CLAMP	9.1 lb (4.1 kg)
HPM-M	FLEX CLAMP CHAIN BLOCKS	14.0 lb (6.4 cm)
HPM-N	BACKBONE HITCH MOUNT	9.4 lb (4.3 kg)
HPM-B	FIXED MOUNT	1.9 lb (0.9 kg)
HPM-D	MOUNTING BLOCK	0.8 lb (0.4 cm)
HPM-E	CROSS PIN MOUNT	2.1 lb (1.0 kg)

Hitch Receiver Mount



Frequently Purchased Hemisphere Transportable Monitor Nozzles, Foam Attachments and Accessories

MASTER STREAM NOZZLES FOR PORTABLE MONITORS

The full line of Master Stream Nozzles can be found in the Master Stream Nozzles Manual section..



MODEL	TYPE	INLET	COUPLING	FLOW	LENGTH	WEIGHT
MD12A	Max-Force Dual Pressure	2.5" NH (64 mm)	Rigid Rocker Lug	100-500 gpm (400-2000 l/min) 100 psi (7 bar) / 55 psi (4 bar)	9.00" (22.9 cm)	6.7 lb (3.0 kg)
MD18A	Max-Matic Automatic	2.5" NH (64 mm)	Rigid Rocker Lug	100-500 gpm (400-2000 l/min) 100 psi (7 bar)	9.00" (22.9 cm)	6.5 lb (2.9 kg)
MD17A	Max-Matic Automatic	2.5" NH (64 mm)	Rigid Rocker Lug	100-500 gpm (400-2000 l/min) 80 psi (6 bar)	9.00" (22.9 cm)	6.5 lb (2.9 kg)
MD14A	Max-Flow Fixed Gallonage	2.5" NH (64 mm)	Rigid Rocker Lug	500 gpm (2000 l/min) 100 psi (7 bar)	9.00" (22.9 cm)	6.5 lb (2.9 kg)
MD22A	Max-Force Dual Pressure	2.5" BSP (64 mm)	Rigid Rocker Lug	100-500 gpm (400-2000 l/min) 100 psi (7 bar)/55 psi (4 bar)	9.00" (22.9 cm)	6.7 lb (3.0 kg)

PORTABLE MONITOR FOAM ATTACHMENT

The full line of foam attachments can be found in the Foam Equipment section.



MODEL	FITS NOZZLE	LENGTH	WEIGHT
FJ-MX-MD	Max-Series and ZN Series Industrial Nozzles	16.20" (41.1 cm)	4.6 lb (2.1 kg)

VORTEX FOR PORTABLE MONITORS

The full line of Vortex can be found in the Master Stream Nozzles Manual section..



MODEL	INLET	OUTLET	OPERATING SYSTEM	MAXIMUM PRESSURE	FLOW	LENGTH	WEIGHT
SVJ-NJNJ	2.5" NH (64 mm)	2.5" NH (64 mm)	MANUAL	300 psi (21 bar)	Up to 1250 gpm (up to 4500 l/min)	8.4" (21.3 cm)	5.5 lb (2.5 kg)

SMOOTHBORE TIPS FOR PORTABLE MONITORS

The full line of Smoothbore Tips can be found in the Master Stream Nozzles Manual section..



MODEL	INLET FEMALE	ORIFICE	LENGTH	WEIGHT
JSST10	2.5" NH (64 mm)	1.125" (29 mm) bore to 1.5" (38 mm) threaded male outlet	5.90" (15.0 cm)	1.8 lb (0.8 kg)
JSST11	2.5" NH (64 mm)	1.25" (32 mm) bore to 1.5" (38 mm) threaded male outlet	5.90" (15.0 cm)	1.8 lb (0.8 kg)
JSSTP-NF	1.5" NH (38 mm)	Smoothbore thread protector	0.88" (2.2 cm)	0.1 lb (0.1 kg)
MST-2NJ	2.5" NH (64 mm)	1.25", 1.125", and 1.0" (32 mm, 29 mm, and 25 mm)	9.63" (24.5 cm)	2.1 lb (1.0 kg)
MST-3NJ	2.5" NH (64 mm)	1.5", 1.25", and 1.0" (38, 32 and 25 mm)	11.80" (30.0 cm)	2.3 lb (1.0 kg)
MST-5NJ	2.5" NH (64 mm)	1.75", 1.5", and 1.375" (44 mm, 38 mm, and 35 mm)	11.70" (29.7 cm)	3.0 lb (1.4 kg)

HEMISPHERE™ Packages

HEMISPHERE Combination Packages combine the most often purchased components into a simple-to-order package. Contact TFT customer service for assistance.



Product examples shown. See chart for specific product package combinations.

HEMISPHERE PACKAGE MODEL	MONITOR	MOUNTING OPTION	NOZZLE
HPM-32-BICJ	HPM142A HEMISPHERE MONITOR 2.5" BICM X 2.5" BSPM	HPM-A I-BEAM CLAMP 2" HITCH MOUNT	MD22A MAX-FORCE TIP 2.5" BSP
HPM-32-BJ	HPM132A HEMISPHERE MONITOR 2.5" BSP INLET/OUTLET	HPM-A I-BEAM CLAMP 2" HITCH MOUNT	MD22A MAX-FORCE TIP 2.5" BSP
HPM-32-NJ	HPM111A HEMISPHERE MONITOR 2.5" NH INLET & OUTLET	HPM-A I-BEAM CLAMP 2" HITCH MOUNT	MD12A MAX-FORCE TIP 2.5" FEMALE
HPM-32-SJ1	HPM191A HEMISPHERE MONITOR 65 MM STORZ INLET X 2.5" BSPM	HPM-A I-BEAM CLAMP 2" HITCH MOUNT	MD22A MAX-FORCE TIP 2.5" BSP
HPM-32-SJ2	HPM191A HEMISPHERE MONITOR 65MM STORZ INLET X 2.5" BSPM	HPM-H FLEX CLAMP 2" HITCH MOUNT	MD22A MAX-FORCE TIP 2.5" BSP
HPM-32-SL	HPM191A HEMISPHERE MONITOR 65MM STORZ INLET X 2.5" BSPM	HPM-A I-BEAM CLAMP 2" HITCH MOUNT	MD22A MAX-FORCE TIP 2.5" BSP
HPM-62-BJ	HPM132A HEMISPHERE MONITOR 2.5" BSP INLET/OUTLET	HPM-H FLEX CLAMP 2" HITCH MOUNT	MD22A MAX-FORCE TIP 2.5" BSP
HPM-62-NJ	HPM111A HEMISPHERE MONITOR 2.5" NH INLET & OUTLET	HPM-H FLEX CLAMP 2" HITCH MOUNT	MD12A MAX-FORCE TIP 2.5" FEMALE
HPMG-32-NJ	HPMG111A HEMISPHERE MONITOR W/GAUGE 2.5" NH INLET & OUTLET	HPM-A I-BEAM CLAMP 2" HITCH MOUNT	MD12A MAX-FORCE TIP 2.5" FEMALE
HPMG-62-NJ	HPMG111A HEMISPHERE MONITOR W/GAUGE 2.5" NH INLET & OUTLET	HPM-H FLEX CLAMP 2" HITCH MOUNT	MD12A MAX-FORCE TIP 2.5" FEMALE

MAX-SERIES™



Max-Force
MD12A
MD22A
MDP22A

- Switch between standard and low pressure mode
- 120° wide fog
- Flush 3/8" (10 mm) debris without shutting down



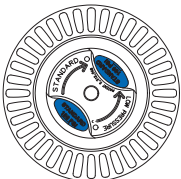
Max-Matic
MD18A
MD17A
MD28A

- 120° wide fog
- Flush 3/8" (10 mm) debris without shutting down
- Hardcoat anodized aluminum with rubber bumper



Max-Flow
MD14A

MODEL	TYPE	INLET	COUPLING	FLOW	LENGTH	WEIGHT	EN CERTIFICATION
MD12A	Max-Force Dual Pressure	2.5" NH (64 mm)	Rigid Rocker Lug	100-500 gpm (400-2000 l/min) 100 psi (7 bar) / 55 psi (4 bar)	9.00" (22.9 cm)	6.7 lb (3.0 kg)	
MD18A	Max-Matic Automatic	2.5" NH (64 mm)	Rigid Rocker Lug	100-500 gpm (400-2000 l/min) 100 psi (7 bar)	9.00" (22.9 cm)	6.5 lb (2.9 kg)	
MD17A	Max-Matic Automatic	2.5" NH (64 mm)	Rigid Rocker Lug	100-500 gpm (400-2000 l/min) 80 psi (6 bar)	9.00" (22.9 cm)	6.5 lb (2.9 kg)	
MD14A	Max-Flow Fixed Gallonage	2.5" NH (64 mm)	Rigid Rocker Lug	500 gpm (2000 l/min) 100 psi (7 bar)	9.00" (22.9 cm)	6.5 lb (2.9 kg)	
MD22A	Max-Force Dual Pressure	2.5" BSP (64 mm)	Rigid Rocker Lug	100-500 gpm (400-2000 l/min) 100 psi (7 bar) / 55 psi (4 bar)	9.00" (22.9 cm)	6.7 lb (3.0 kg)	
MD28A	Max-Matic Automatic	2.5" BSP (64 mm)	Rigid Rocker Lug	100-500 gpm (400-2000 l/min) 100 psi (7 bar)	9.00" (22.9 cm)	6.5 lb (2.9 kg)	
MDP22A	Max-Force Dual Pressure	2.5" BSP (64 mm)	Rigid Rocker Lug	400-2000 l/min 7 bar/4 bar	9.00" (22.9 cm)	6.7 lb (3.0 kg)	15767-2 Type 4



Knob In Standard Pressure Mode



Knob In Low Pressure Mode

The Max-Force series nozzle features TFT's dual pressure knob. With a twist of the large knob on the front of the nozzle, the operating pressure may be switched between standard 100 psi (7 bar) and a low pressure mode 55 psi (4 bar).



PORTABLE MONITOR FOAM ATTACHMENT

The full line of foam attachments can be found in the Foam Equipment section.

MODEL	FITS NOZZLE	LENGTH	WEIGHT
FJ-MX-MD	Max-Series Nozzles	16.20" (41.1 cm)	4.6 lb (2.1 kg)

MASTER FORCE™ SERIES

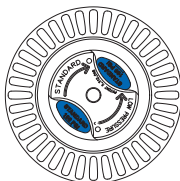
AUTOMATIC 300-800 gpm (1100-3000 l/min)

The TFT MASTER FORCE series gives a clean, far-reaching straight stream and the only dual pressure automatic nozzle with a flow range of 300-800 gpm (1100-3000 l/min). It is adjustable from straight stream to a dense fog pattern and flush without shutting down. MASTER FORCE series nozzles are suitable for use with foam.

- For use with TFT Tornado, Hemisphere, CROSSFIRE, Radius and Hurricane monitors
- Dual pressure control 100/55 psi (7/4 bar)
- Continuously variable from straight stream to wide fog
- Molded rubber fog teeth with full fill power fog
- Accepts FJ-LX-M Low Expansion foam attachment



MODEL	INLET	FLOW	OPERATING PRESSURE	LENGTH	WEIGHT
MC12A	2.5" NH (64 mm)	300-800 gpm (1100-3000 l/min)	100/55 psi (7/4 bar)	10.4" (26.4 cm)	9.5 lb (4.3 kg)
MC22A	2.5" BSP	300-800 gpm (1100-3000 l/min)	100/55 psi (7/4 bar)	10.4" (26.4 cm)	9.5 lb (4.3 kg)



Knob In Standard Pressure Mode



Knob In Low Pressure Mode

The Master Force nozzle features TFT's dual pressure knob. With a twist of the large knob on the front of the nozzle, the operating pressure may be switched between standard 100 psi (7 bar) and a low pressure mode 55 psi (4 bar).



PORTABLE MONITOR FOAM ATTACHMENT

The full line of foam attachments can be found in the Foam Equipment section.

MODEL	FITS NOZZLE	LENGTH	WEIGHT
FJ-LX-M	Master Force Series	25.30" (64.3 cm)	6.4 lb (2.9 kg)

VORTEX® 2 AND VORTEX® 3 MANUAL

The TFT VORTEX® 2 and 3 enhances the use of a smoothbore nozzle. It is intended for installation behind a smoothbore nozzle for use with water, firefighting foam solutions or CAFS. Six short vanes in the bore of the VORTEX reduce turbulence in straight stream. Actuation from "STREAM" to "VORTEX" causes the vanes to pivot proportionally. This induces a gentle spin in the water to create a uniformly dispersed stream pattern at the exit of the smoothbore tip resulting in virtually no friction loss regardless of which stream pattern is selected. Lightweight

hardcoat anodized aluminum for maximum resistance to corrosion and wear.

- For use on TFT BLITZTAC, BLITZFIRE, Hemisphere, CROSSFIRE, Radius, Hurricane, and Monsoon 1250 monitors
- Uses a crank to actuate from "STREAM" to "VORTEX"
- Internal vanes allow larger debris to easily pass through the Vortex
- Unrestricted stream straightener
- Use with any Master Stream Smoothbore Tip



SVJ-NJNJ
SVN-NNNN
SVJ-NNNJ

MODEL	INLET	OUTLET	OPERATING SYSTEM	MAXIMUM PRESSURE	FLOW	LENGTH	WEIGHT
SVJ-NJNJ	2.5" NH (64 mm)	2.5" NH (64 mm)	MANUAL	300 psi (21 bar)	up to 1250 gpm (up to 4500 l/min)	8.4" (21.3 cm)	5.5 lb (2.5 kg)
SVN-NNNN	3.5" NH (89 mm)	3.5" NH (89 mm)	MANUAL	300 psi (21 bar)	up to 2500 gpm (up to 9500 l/min)	9.0" (22.9 cm)	11.5 lb (5.2 kg)
SVJ-NNNJ	3.5" NH (89 mm)	2.5" NH (64 mm)	MANUAL	300 psi (21 bar)	up to 2500 gpm (up to 9500 l/min)	9.0" (22.9 cm)	11.5 lb (5.2 kg)

SMOOTHBORE TIPS

Designed for monitor use, these lightweight tips are hardcoat anodized and have pressure/flow charts laser engraved on each tip. A swivel NH coupling is standard. See chart for orifice openings.

MODEL	INLET FEMALE	ORIFICE	LENGTH	WEIGHT
JSST10	2.5" NH (64 mm)	1.125" (29 mm) bore to 1.5" (38 mm) threaded male outlet	5.90" (15.0 cm)	1.8 lb (0.8 kg)
JSST11	2.5" NH (64 mm)	1.25" (32 mm) bore to 1.5" (38 mm) threaded male outlet	5.90" (15.0 cm)	1.8 lb (0.8 kg)
JSSTP-NF	1.5" NH (38 mm)	Smoothbore thread protector	0.88" (2.2 cm)	0.1 lb (0.1 kg)
JSS10	2.5" NH (64 mm)	1.125" (29 mm)	7.91" (20.1 cm)	1.6 lb (0.7 kg)
JSS11	2.5" NH (64 mm)	1.25" (32 mm)	7.93" (20.1 cm)	1.8 lb (0.8 kg)
MST-2NJ	2.5" NH (64 mm)	1.25", 1.125", and 1.0" (32 mm, 29 mm, and 25 mm)	9.63" (24.5 cm)	2.1 lb (1.0 kg)
MST-3NJ	2.5" NH (64 mm)	1.5", 1.25", and 1.0" (38, 32 and 25 mm)	11.80" (30.0 cm)	2.3 lb (1.0 kg)
MST-3BJ-M*	2.5" BSP (64 mm)	38, 32, and 25 mm	11.8" (30.0 cm)	2.3 lb (1.0 kg)
MST-5NJ	2.5" NH (64 mm)	1.75", 1.5", and 1.375" (44 mm, 38 mm, and 35 mm)	11.70" (29.7 cm)	3.0 lb (1.4 kg)



* Metric pressure/flow charts

SMOOTHBORE STACKED TIPS

Four Orifice

Designed for monitor use, these lightweight tips are hardcoat anodized, allow four orifice options in one, and have pressure/flow charts laser engraved on each tip. A swivel NH coupling is standard. See chart for orifice openings.

MODEL	INLET	ORIFICE OPENINGS	LENGTH	WEIGHT
MST-4NJ	2.5" NH (64 mm)	2", 1.75", 1.5", and 1.375" (51 mm, 44 mm, 38 mm and 35 mm)	16.9" (42.9 cm)	3.10 lb (1.40 kg)
MST-4BJ	2.5" BSP (64 mm)	2", 1.75", 1.5", and 1.375" (51 mm, 44 mm, 38 mm and 35 mm)	16.9" (42.9 cm)	3.10 lb (1.40 kg)
MST-4NN	3.5" NH (89 mm)	2", 1.75", 1.5", and 1.375" (51 mm, 44 mm, 38 mm and 35 mm)	18.9" (48.0 cm)	5.6 lb (2.5 kg)



MASTER STREAM STACKED TIP

Four Orifice

Four stacked tips designed for monitor use up to 2000 gpm (7600 l/min), these lightweight tips are hardcoat anodized, allow four orifice options, have a built in stream straightener and pressure/flow charts laser engraved on each tip.

MODEL	INLET	ORIFICE OPENINGS	LENGTH	WEIGHT
YST-4NN	3.5" NH (89 mm)	2.75", 2.5", 2.25", and 2.0" (70 mm, 64 mm, 57 mm and 51 mm)	22.0" (55.9 cm)	10.7 lb (4.9 kg)



SMOOTHBORE STACKED TIPS

Three Orifice

Designed for monitor use, these lightweight tips are hardcoat anodized, allow three orifice options in one, and have pressure/flow charts laser engraved on each tip. 3.5" NH (89 mm) swivel coupling is standard.

MODEL	INLET	ORIFICE OPENINGS	LENGTH	WEIGHT
YST-3NN	3.5" NH (89 mm)	2.5", 2.25", and 2.0" (64 mm, 57 mm and 51 mm)	12.70" (32.3 cm)	4.9 lb (2.2 kg)

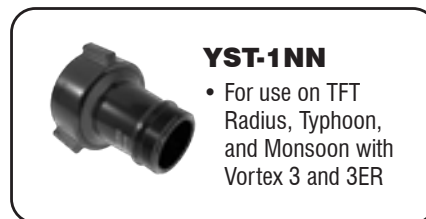


SMOOTHBORE TIP

One Orifice

Designed to replace stream straightener on existing YST-4NN for use on Vortex 3 and 3ER and have pressure/flow charts laser engraved on tip. 3.5" NH (89 mm) swivel coupling is standard.

MODEL	INLET	ORIFICE OPENING	LENGTH	WEIGHT
YST-1NN	3.5" NH (89 mm)	2.5" (64 mm)	6.1" (15.5 cm)	2.7 lb (1.2 kg)



STREAM STRAIGHTENER

Extruded aluminum vanes straighten smoothbore streams to provide greater reach with less turbulence.

MODEL	RIGID FEMALE INLET	RIGID MALE OUTLET	LENGTH	WEIGHT
XF-SS5	2.5" NH (64 mm)	2.5" NH (64 mm)	5" (127 mm)	1.80 lb (0.80 kg)
XF-SS5-BJ	2.5" BSP (64 mm)	2.5" BSP (64 mm)	5" (127 mm)	1.80 lb (0.80 kg)
XF-SS5-NN	3.5" NH (89 mm)	2.5" NH (64 mm)	5" (127 mm)	4.6 lb (2.1 kg)
XF-SS10	2.5" NH (64 mm)	2.5" NH (64 mm)	10" (254 mm)	3.50 lb (1.90 kg)
XF-SS10-NN	3.5" NH (89 mm)	2.5" NH (64 mm)	10" (254 mm)	6.3 lb (2.9 kg)



MASTER STREAM SERIES

150-1000 gpm (600-3800 l/min)

The TFT MASTER STREAM series gives a clean, far-reaching straight stream and the only dual pressure automatic nozzle with a flow range of 150-1000 gpm (600-4000 l/min). It is adjustable from straight stream to a dense fog pattern. MASTER STREAM series nozzles are suitable for use with foam. For use on TFT CROSSFIRE, Radius, Hurricane, and Monsoon 1250 monitors.

**AUTOMATIC M-R1000-NJ
M-R1000-BJ**



- 150-1000 gpm (600-3800 l/min)
- Variable from straight stream to wide fog
- Halo ring for pattern control
- Molded rubber fog teeth with full fill power fog

FIXED M-RF1000-NJ



- Factory preset fixed constant flow & pressure engraved on the baffle
- Variable from straight stream to wide fog
- Halo ring for pattern control
- Molded rubber fog teeth with full fill power fog

SELECTABLE M-RS1000-NJ



- Five flow selections
- Nozzle must be shut down to change settings
- Rotate outer baffle to desired flow setting
- Variable from straight stream to wide fog
- Halo ring for pattern control
- Molded rubber fog teeth with full fill power fog

SELECTABLE M-RS4000-BJ



- Metric flow & pressure markings
- Six flow selections
- Nozzle must be shut down to change settings
- Rotate outer baffle to desired flow setting
- Variable from straight stream to wide fog
- Halo ring for pattern control
- Molded rubber fog teeth with full fill power fog

MODEL	INLET	OPERATING SYSTEM	FLOW	OPERATING PRESSURE	LENGTH	WEIGHT
M-R1000-NJ	2.5" NH (64 mm)	AUTOMATIC	150-1000 gpm (600-3800 l/min)	100 psi (7 bar)	10.0" (25.4 cm)	9.1 lb (4.1 kg)
M-RS1000-NJ	2.5" NH (64 mm)	SELECTABLE	250, 350, 500, 750, and 1000 gpm (950, 1300, 2000, 3000 and 4000 l/min)	100 psi (7 bar)	10.0" (25.4 cm)	9.1 lb (4.1 kg)
M-RF1000-NJ	2.5" NH (64 mm)	FIXED	Factory preset at the customer's specified K-factor 50 to 105 maximum. Must specify flow and pressure at time of order.		10.0" (25.4 cm)	8.3 lb (3.8 kg)
M-R1000-BJ	2.5" BSP (64 mm)	AUTOMATIC	150-1000 gpm (600-3800 l/min)	100 psi (7 bar)	10.0" (25.4 cm)	9.1 lb (4.1 kg)
M-RS4000-BJ	2.5" BSP (64 mm)	SELECTABLE	1000-1500-2000-2500-3000-4000 l/min	7 bar	10.0" (25.4 cm)	4.1 kg



PORTABLE MONITOR FOAM ATTACHMENT

The full line of foam attachments can be found in the Foam Equipment section.

MODEL	FITS NOZZLE	LENGTH	WEIGHT
FJ-LX-M	Master Stream 1000 Series	25.30" (64.3 cm)	6.4 lb (2.9 kg)

MASTER STREAM 1250S SERIES

150-1250 gpm (570-4700 l/min) Small Body



**AUTOMATIC
M-R1250S-NJ
MP-R1250S-BJ
M-R1250S-BJ**

- For use on TFT CROSSFIRE, Radius, Hurricane, and Monsoon 1250 monitors
- Continuously variable from straight stream to wide fog
- Molded rubber fog teeth with full fill power fog
- Halo ring for pattern control
- Accepts FJ-LX-M Low-Expansion foam attachment

The TFT MASTER STREAM series gives a clean, far-reaching straight stream with a flow range of 150-1250 gpm (570-4700 l/min). It is adjustable from straight stream to a dense fog pattern. MASTER STREAM series nozzles are suitable for use with foam.

MODEL	INLET	OPERATING SYSTEM	FLOW	OPERATING PRESSURE	LENGTH	WEIGHT
M-R1250S-NJ	2.5" NH (64 mm)	AUTOMATIC	150-1250 gpm (570-4700 l/min)	100 psi (7 bar)	10.0" (25.4 cm)	10.4 lb (4.7 kg)
MP-R1250S-BJ*	2.5" BSP (64 mm)	AUTOMATIC	600-4500 l/min	100 psi (7 bar)	10.0" (25.4 cm)	10.4 lb (4.7 kg)
M-R1250S-BJ	2.5" BSP (64 mm)	AUTOMATIC	150-1250 gpm (570-4700 l/min)	100 psi (7 bar)	10.0" (25.4 cm)	10.4 lb (4.7 kg)

* EN15767-2 TYPE 4



PORTABLE MONITOR FOAM ATTACHMENT

The full line of foam attachments can be found in the Foam Equipment section.

MODEL	FITS NOZZLE	LENGTH	WEIGHT
FJ-LX-M	Master Stream 1250S Series	25.30" (64.3 cm)	6.4 lb (2.9 kg)

MASTER STREAM 1250 SERIES
300-1250 GPM (1100-4500 l/min) Large Body

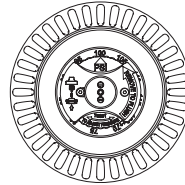
The Master Stream 1250 has the ability to produce an excellent hard-hitting stream at any volume from 300 to 1250 gpm (1100 - 4500 l/min). It is adjustable from a straight stream to a dense fog pattern. This nozzle features TFT's exclusive pressure adjustment knob. With a twist of the large knob on the front of the nozzle, operating pressure can be immediately adjusted to tactile detent settings between 70 and 120 psi

(4.8 and 8.3 bar). At pressures other than 100 psi, maximum flow is determined by K-factor of 125. Applications include truck mounted deluge devices, aerials, fireboats, industrial applications, or where a flow of 300 - 1250 gpm (1100 - 4500 l/min) is necessary or desired. Suitable for use with foam and accepts the FJ-LX-M3 FOAMJET low expansion air aspirating attachment



**AUTOMATIC
M-R1250-NJ
M-R1250-NN**

- For use on TFT Hurricane, Radius, Typhoon, and Monsoon monitors
- Continuously variable from straight stream to wide fog
- Molded rubber fog teeth with full fill power fog
- Halo ring for pattern control
- Accepts FJ-LX-M3 Low-Expansion foam attachment



This nozzle features TFT's exclusive pressure adjustment knob. With a twist of the large knob on the front of the nozzle, operating pressure can be immediately adjusted to tactile detent settings between 70 and 120 psi (4.8 and 8.3 bar). At pressures other than 100 psi, maximum flow is determined by K-factor of 125.

MODEL	INLET	OPERATING SYSTEM	FLOW	OPERATING PRESSURE	LENGTH	WEIGHT
M-R1250-NJ	2.5" NH (64 mm)	AUTOMATIC	300-1250 gpm (1100-4500 l/min)	70-120 psi (4.8-8.3 bar)	12.9" (32.8 cm)	13.6 lb (6.2 kg)
M-R1250-NN	3.5" NH (89 mm)	AUTOMATIC	300-1250 gpm (1100-4500 l/min)	70-120 psi (4.8-8.3 bar)	12.0" (30.5 cm)	14.3 lb (6.5 kg)



FIXED AND RC MONITOR FOAM ATTACHMENT

The full line of foam attachments can be found in the Foam Equipment section.

MODEL	FITS NOZZLE	LENGTH	WEIGHT
FJ-LX-M3	Master Stream 1250 Large Body	29.90" (76.0 cm)	10.9 lb (4.94 kg)

MASTER STREAM 1500 SERIES

300-1500 gpm (1100-6000 l/min)

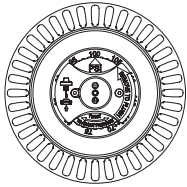
The Master Stream 1500 has the ability to produce an excellent hard-hitting stream at any volume from 300 gpm to 1500 gpm (1100 - 6000 l/min). It is adjustable from a straight stream to a dense fog pattern. This nozzle features TFT's exclusive pressure adjustment knob. With a twist of the large knob on the front of the nozzle, operating pressure can be immediately adjusted to tactile detent settings between 70 and 120 psi (4.8 and 8.3 bar). At pressures other than 100 psi, maximum flow is determined by K-factor of 150. Applications include truck mounted deluge devices, aerials, fireboats, industrial applications, or where a flow of 300 - 1500 gpm (1100 - 6000 l/min) is necessary or desired.



**AUTOMATIC
M-R1500-NJ
M-R1500-NN**

- For TFT Hurricane, Radius, Typhoon, and Monsoon monitors
- With a twist of the large knob on the front of the nozzle, constant operating pressure can be immediately adjusted to tactile detent settings between 70 and 120 psi (4.8 and 8.3 bar)
- Continuously variable from straight stream to wide fog
- Molded rubber fog teeth with full fill power fog
- Halo ring for pattern control
- Accepts FJ-LX-M3 Low Expansion foam attachment

MODEL	INLET	OPERATING SYSTEM	FLOW	OPERATING PRESSURE	LENGTH	WEIGHT
M-R1500-NJ	2.5" NH (64 mm)	AUTOMATIC	300 - 1500 gpm (1100 - 6000 l/min)	70 - 120 psi (4.8 - 8.3 bar)	12.9" (32.8 cm)	15.5 lb (7.0 kg)
M-R1500-NN	3.5" NH (89 mm)	AUTOMATIC	300 - 1500 gpm (1100 - 6000 l/min)	70 - 120 psi (4.8 - 8.3 bar)	12.0" (32.0 cm)	14.4 lb (6.5 kg)



This nozzle features TFT's exclusive pressure adjustment knob. With a twist of the large knob on the front of the nozzle, operating pressure can be immediately adjusted to tactile detent settings between 70 and 120 psi (4.8 and 8.3 bar). At pressures other than 100 psi, maximum flow is determined by K-factor of 150.

MASTER STREAM 2000 SERIES

300-2000 gpm (1100-7600 l/min)

The Master Stream 2000 has the ability to produce an excellent hard-hitting stream at any volume from 300 gpm to 2000 gpm (1100 - 7600 l/min). It is adjustable from a straight stream to a dense fog pattern. The recently redesigned nozzles are substantially shorter and lighter than their predecessors. With a twist of the knob on the front of the nozzle, operating pressure can be immediately adjusted to tactile detent settings between 80 and 120 psi (5.5 and 8.0 bar). At pressures other than 100 psi, maximum flow is determined by K-factor of 230. Applications include truck mounted deluge devices, aerials, fireboats, industrial applications, or where a flow of 300 - 2000 gpm (1100 - 7600 l/min) is necessary or desired.



**AUTOMATIC
M-R2000-NN**

- For use on TFT Typhoon and Monsoon monitors
- With a twist of the large knob on the front of the nozzle, constant operating pressure can be immediately adjusted to tactile detent settings between 80 and 120 psi (5.5 and 8.0 bar)
- Continuously variable from straight stream to wide fog
- Molded rubber fog teeth with full fill power fog
- Halo ring for pattern control

MODEL	INLET	OPERATING SYSTEM	FLOW	OPERATING PRESSURE	LENGTH	WEIGHT
M-R2000-NN	3.5" NH (89 mm)	AUTOMATIC	300 - 2000 gpm (1100 - 7600 l/min)	80-120 psi (5.5-8.0 bar)	12.1" (30.7 cm)	18.7 lb (8.5 kg)

INDUSTRIAL
ZN FIXED NOZZLE

The TFT fixed gpm water nozzle is a simple and rugged industrial nozzle with superior stream quality and reach. This fixed gallonage fog nozzle rated at 100 psi (7 bar) is available with your choice of 250, 350, 500, 750 gpm (950, 1300, 2000, 3000 l/min). Fog angle is user adjustable between 120° wide fog and straight stream. The nozzle's baffle can be removed with a wrench for flushing debris. The standard inlet is 2.5" NH or BSP (64 mm) female thread. The simple and basic design requires minimal maintenance. The ZN series has UV resistant rubber bumper and is hardcoat anodized aluminum.



MODEL	THREAD (RIGID)	FLOW	LENGTH	WEIGHT
ZN10A	2.5"-7.5 NH FEMALE	250 gpm @ 100 psi — K-factor = 25 (950 l/min @ 7 bar)	6.00" (15.20 cm)	4.50 lb (2.00 kg)
ZN11A	2.5"-7.5 NH FEMALE	350 GPM @ 100 PSI — K-factor = 35 (1300 l/min @ 7 bar)	6.00" (15.20 cm)	4.50 lb (2.00 kg)
ZN12A	2.5"-7.5 NH FEMALE	500 GPM @ 100 PSI — K-factor = 50 (2000 l/min @ 7 bar)	6.00" (15.20 cm)	4.50 lb (2.00 kg)
ZN13A	2.5"-7.5 NH FEMALE	750 GPM @ 100 PSI - K-factor = 75 (3000 l/min @ 7 bar)	6.00" (15.20 cm)	4.50 lb (2.00 kg)
ZN14A	2.5"-7.5 NH FEMALE	User Specified K-factor = 15 - 75 Must specify at time of order	6.00" (15.20 cm)	4.50 lb (2.00 kg)
ZN22A	2.5"-11 BSP FEMALE	500 GPM @ 100 PSI — K-factor = 50 (2000 l/min @ 7 bar)	6.00" (15.20 cm)	4.50 lb (2.00 kg)
ZN23A	2.5"-11 BSP FEMALE	750 GPM @ 100 PSI — K-factor = 75 (3000 l/min @ 7 bar)	6.00" (15.20 cm)	4.50 lb (2.00 kg)
ZN43A	2.5" CODE-AT (CSA)	750 GPM @ 100 PSI — K-factor = 75 (3000 l/min @ 7 bar)	6.00" (15.20 cm)	4.50 lb (2.00 kg)



PORTABLE MONITOR FOAM ATTACHMENT

The full line of foam attachments can be found in the Foam Equipment section.

MODEL	FITS NOZZLE	LENGTH	WEIGHT
FJ-MX-MD	ZN Series Industrial Nozzles	16.20" (41.1 cm)	4.6 lb (2.1 kg)

INDUSTRIAL



ZM and ZO Series FIXED NOZZLE



- ZM111**
- ZM121**
- ZM131**
- ZM141**
- ZM191**

- Large ribs for stream pattern adjustment



The ZM & ZO Series are hardcoat anodized and powder coated aluminum. The ZO Series features 3.5" NH thread and folding handles for ease of moving stream shaper, with a locking ring to set the nozzle at a desired fog pattern position. The fixed flow nozzle can be used with water or premixed foam solution.

MODEL	THREAD (RIGID)	FLOW	LENGTH	WEIGHT
ZM111	2.5"-7.5 NH FEMALE	500 GPM @ 100 PSI — K-factor = 50 (2000 l/min @ 7 bar)	8.80" (22.40 cm)	7.20 lb (3.30 kg)
ZM121	2.5"-7.5 NH FEMALE	750 GPM @ 100 PSI — K-factor = 75 (3000 l/min @ 7 bar)	8.80" (22.40 cm)	7.20 lb (3.30 kg)
 ZM131	2.5"-7.5 NH FEMALE	1000 GPM @ 100 PSI — K-factor = 100 (4000 l/min @ 7 bar)	8.80" (22.40 cm)	7.20 lb (3.30 kg)
 ZM141	2.5"-7.5 NH FEMALE	1250 GPM @ 100 PSI — K-factor 125 (4750 l/min @ 7 bar)	8.80" (22.40 cm)	7.20 lb (3.30 kg)
ZM191	2.5"-7.5 NH FEMALE	User Specified K-factor = 50 - 125	8.80" (22.40 cm)	7.20 lb (3.30 kg)



- ZO12**
- ZO14**

- Folding handles for stream adjustment
- Locking ring for stream pattern position

MODEL	THREAD (RIGID)	FLOW	LENGTH	WEIGHT
 ZO12	3.5"-6 NH FEMALE	1500 GPM @ 100 PSI - K-factor = 150 (5500 l/min @ 7 bar)	11.60" (29.5 cm)	22.00 lb (10.0 kg)
 ZO14	3.5"-6 NH FEMALE	2000 GPM @ 100 PSI - K-factor = 200 (7500 l/min @ 7 bar)	11.60" (29.5 cm)	22.00 lb (10.0 kg)



ULTIMATIC™ SERIES
10-125 GPM (40-500 l/min) Automatic

Electrically operated pattern control for use on remote applications. The rugged, aluminum drive is totally enclosed and waterproof. The 12 to 24 volt drive unit draws 3 amps. There is a manual override if the electrical power fails. Water pattern adjusts from straight stream to a 120° wide fog. The nozzle can flush 3/8" (9.5 mm) debris without shutting down. Nozzle and actuator are hardcoat anodized aluminum for maximum resistance to corrosion and wear. Tip does not shut-off.

When ordering a nozzle for use on TFT RC monitors, order plug version (ERP). ERP versions are equipped with SMART STREAM technology. This technology utilizes a position encoder in the nozzle actuator to give the user greater control of the stream pattern, especially at FOG position. Nozzles equipped with a FLUSH position are programmed to stop and pause at full FOG

position when moving towards the FLUSH position, preventing excessive water flow. A second press of the button will cause the nozzle shaper to continue to move to flush position for removing debris from nozzle. Delivered with a waterproof plug connection for seamless integration with TFT's Tornado RC and EF1 RC monitors.



- For use on TFT Tornado RC and EF1 RC monitor
- Flush without shutting down
- Molded rubber fog teeth with full fill power fog
- Accepts both FJ-U low-expansion and FJ-UMX FOAMJET multi-expansion foam attachments

MODEL	INLET	FLOW	OPERATING PRESSURE	SMART STREAM TECHNOLOGY	LENGTH	WEIGHT
B-TO-ERP	1.5" NH (38 mm)	10-125 gpm (40-500 l/min)	100 psi (7 bar)	YES	10.25" (26.0 cm)	5.8 lb (2.6 kg)
BL-TO-ERP	1.5" NH (38 mm)	10-125 gpm (40-500 l/min)	75 psi (5 bar)	YES	10.25" (26.0 cm)	5.8 lb (2.6 kg)
B-TO-ERP-120	1.5" NH (38 mm)	10-125 gpm (40-500 l/min)	120 psi (8 bar)	YES	10.25" (26.0 cm)	5.8 lb (2.6 kg)
B-TO-ERP-150	1.5" NH (38 mm)	10-125 gpm (40-500 l/min)	150 psi (10 bar)	YES	10.25" (26.0 cm)	5.8 lb (2.6 kg)

Note: When installing Ultimatic nozzle on EF1 RC monitor, please request longer nozzle cable when ordering.

ULTIMATIC™ SERIES
15-120 GPM (50-450 l/min) Selectable



- For use on TFT Tornado RC and EF1 RC monitor
- Flush without shutting down
- Molded rubber fog teeth with full fill power fog
- Accepts both FJ-U low-expansion and FJ-UMX FOAMJET multi-expansion foam attachments

MODEL	INLET	FLOW	OPERATING PRESSURE	SMART STREAM TECHNOLOGY	LENGTH	WEIGHT
B-TOS-ERP	1.5" NH (38 mm)	15-120 gpm (60-450 l/min)	100 psi (7 bar)	YES	9.9" (25.1 cm)	5.9 lb (2.7 kg)

Note: When installing Ultimatic nozzle on EF1 RC monitor, please request longer nozzle cable when ordering.



ULTIMATIC FOAM ATTACHMENTS

The full line of foam attachments can be found in the Foam Equipment section.

MODEL	FITS NOZZLE	FRONT END	DIAMETER	LENGTH	WEIGHT
FJ-U	Ultimatic	Flexible Rubber	3.6" (9.1 cm)	9.75" (24.8 cm)	1.2 lb (0.5 kg)
FJ-UMX	Ultimatic	Polypropylene	7.4" (18.8 cm)	15.25" (38.7 cm)	3.2 lb (1.5 kg)

MID-MATIC™ SERIES

70 - 200 GPM (260-760 l/min) Automatic



- For use on TFT Tornado RC and EF1 RC monitor
- Flush without shutting down
- Molded rubber fog teeth with full fill power fog
- Accepts FJ-HM, FJ-LX-HM low-expansion and FJ-MX-HM FOAMJET multi-expansion foam attachments



MODEL	INLET	FLOW	OPERATING PRESSURE	SMART STREAM TECHNOLOGY	LENGTH	WEIGHT
HM-TO-ERP	1.5" NH (38 mm)	70-200 gpm (260-760 l/min)	100 psi (7 bar)	YES	9.7" (24.6 cm)	6.5 lb (2.9 kg)

Note: When installing Mid-Matic nozzle on EF1 RC monitor, please request longer nozzle cable when ordering.

MID-FORCE™ SERIES

70 - 200 GPM (260-760 l/min)
Dual Pressure Automatic



- For use on TFT Tornado RC and EF1 RC monitor
- Flush without shutting down
- Molded rubber fog teeth with full fill power fog
- Accepts FJ-HM, FJ-LX-HM low-expansion and FJ-MX-HM FOAMJET multi-expansion foam attachments

MODEL	INLET	FLOW	OPERATING PRESSURE	SMART STREAM TECHNOLOGY	LENGTH	WEIGHT
HMD-TO-ERP	1.5" NH (38 mm)	70-200 gpm (260-760 l/min)	100/75 psi (7/5 bar)	YES	9.7" (24.6 cm)	6.5 lb (2.9 kg)

Note: When installing Mid-Force nozzle on EF1 RC monitor, please request longer nozzle cable when ordering.



MID-MATIC AND MID-FORCE FOAM ATTACHMENTS

The full line of foam attachments can be found in the Foam Equipment section.

MODEL	FITS NOZZLE	FRONT END	DIAMETER	LENGTH	WEIGHT
FJ-HM	Mid-Matic and Mid-Force	Flexible Rubber	5.2" (13.2 cm)	8.50" (21.6 cm)	2.6 lb (1.2 kg)
FJ-LX-HM	Mid-Matic and Mid-Force	Polyethylene	5.8" (14.6 cm)	20.20" (51.3 cm)	3.0 lb (1.4 kg)
FJ-MX-HM	Mid-Matic and Mid-Force	Polypropylene	7.4" (18.8 cm)	15.40" (39.1 cm)	3.2 lb (1.5 kg)

ER BUBBLE CUP®

Dual Gallonage Foam Aspirating



- For use on TFT EF1 RC monitor only
- Integrated nozzle shut-off
- Quick change between low/high flow and straight stream and wide fog
- Integrated retractable Bubble Cup aspirating sleeve

MODEL	INLET	FLOW	OPERATING PRESSURE	SMART STREAM TECHNOLOGY	LENGTH	WEIGHT
F2060BCER	1.5" NH (38 mm)	20 and 60 gpm (75 and 230 l/min)	100 psi (7 bar)	YES	11.4" (29.0 cm)	5.7 lb (2.6 kg)
F2095BCER	1.5" NH (38 mm)	20 and 95 gpm (75 and 360 l/min)	100 psi (7 bar)	YES	11.4" (29.0 cm)	5.7 lb (2.6 kg)

MAX-FORCE™

100 - 500 GPM (400-2000 l/min) Dual Pressure Automatic



MD-ERP-12A

MD-ER-12A

10.2 lbs (4.6 kg)

10.2" (25.9 cm)

- For use on TFT Tornado RC, Hurricane RC, and Monsoon 1250 RC. Dual pressure control 100/55 psi (7/4 bar) nozzle
- 2.5" NH (64 mm) swivel rocker lug coupling is standard
- Molded rubber fog teeth with full fill power fog
- Accepts FJ-MX-MD multi-expansion foam attachment

MAX-MATIC™

100 - 500 GPM (400-2000 l/min) Automatic



MD-ERP-18A

MD-ERP28A

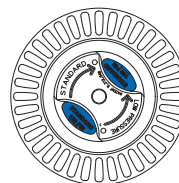
MD-ER18A

10.0 lbs (4.5 kg)

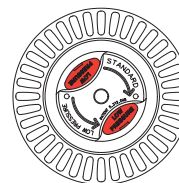
10.2" (25.9 cm)

- For use on TFT Tornado RC, Hurricane RC, and Monsoon 1250 RC. Standard 100 psi (7 bar) nozzle
- Molded rubber fog teeth with full fill power fog
- Accepts FJ-MX-MD multi-expansion foam attachment

When ordering a nozzle for use on TFT RC monitors, order a plug version (ERP). ERP versions are equipped with SMART STREAM technology. This technology utilizes a position encoder in the nozzle actuator to give the user greater control of the stream pattern, especially around FOG position. Delivered with a waterproof plug connection for seamless integration with TFT's Tornado RC, Hurricane RC, or Monsoon 1250 RC Monitor.



Knob In Standard Pressure Mode



Knob In Low Pressure Mode

This nozzle features TFT's dual pressure knob. With a twist of the large knob on the front of the nozzle, the operating pressure may be switched between standard 100 psi (7 bar) and a low pressure mode 55 psi (4 bar).

MODEL	INLET (SWIVEL)	FLOW	OPERATING PRESSURE	LENGTH	WEIGHT
MD-ERP12A	2.5" (64 mm) NH FEMALE	100-500 gpm (400-2000 l/min)	55/100 PSI (4/7 bar)	10.2" (25.9 cm)	10.2 lbs (4.6 kg)
MD-ERP18A	2.5" (64 mm) NH FEMALE	100-500 gpm (400-2000 l/min)	100 PSI (7 bar)	10.2" (25.9 cm)	10.0 lbs (4.5 kg)
MD-ERP28A	2.5" (64 mm) BSP FEMALE	100-500 gpm (400-2000 l/min)	100 PSI (7 bar)	10.2" (25.9 cm)	10.0 lbs (4.5 kg)

MODEL	INLET (SWIVEL)	FLOW	PRESSURE	LENGTH	WEIGHT
MD-ER12A	2.5" (64 mm) NH FEMALE	100-500 gpm (400-2000 l/min)	Dual Pressure 55/100 PSI (4/7 bar)	10.2" (25.9 cm)	10.2 lbs (4.6 kg)
MD-ER18A	2.5" (64 mm) NH FEMALE	100-500 gpm (400-2000 l/min)	Automatic 100 PSI (7 bar)	10.2" (25.9 cm)	10.0 lbs (4.5 kg)



MAX-FORCE AND MAX-MATIC FOAM ATTACHMENT

The full line of foam attachments can be found in the Foam Equipment section.

MODEL	FITS NOZZLE	LENGTH	WEIGHT
FJ-MX-MD	Max-Series Nozzles	16.20" (41.1 cm)	4.6 lb (2.1 kg)



MASTER FORCE™ SERIES ELECTRIC REMOTE

300-800 gpm (1100-3000 l/min) Dual Pressure Automatic

For use on TFT Tornado RC, Hurricane RC, and Monsoon 1250 RC monitors, the MASTER FORCE provides two operator selected nozzle pressure settings of 100 psi (7 bar) or 55 psi (4 bar) and electric remote pattern adjustment from hard-hitting straight stream to wide fog, and flush without shutting down.

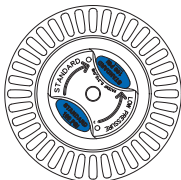
When ordering a nozzle for use on TFT RC monitors, order plug version (ERP). ERP versions are equipped with SMART STREAM technology. This technology utilizes a position encoder in the nozzle actuator to give the user greater control of the stream pattern, especially around FOG position. The nozzle is programmed to stop and pause at full fog position, preventing excessive water flow. A second press of the button will cause the nozzle shaper to continue to move the flush position for removing debris from the nozzle. Delivered with a waterproof plug connection for seamless integration with TFT's Tornado RC, Hurricane RC, and Monsoon 1250 RC monitors.



MC-ERP-***
MC-ER-***
14.2 lbs (6.4 kg)
11.6" (29.5 cm)

- For use with TFT Tornado RC, Hurricane RC, and Monsoon 1250 RC monitors
- Dual pressure control 100/55 psi (7/4 bar)
- Continuously variable from straight stream to wide fog
- Molded rubber fog teeth with full fill power fog
- Accepts FJ-LX-M Low Expansion foam attachment

MODEL	INLET	FLOW	OPERATING PRESSURE	SMART STREAM TECHNOLOGY	LENGTH	WEIGHT
MC-ERP-12A	2.5" NH (64 mm)	300-800 gpm (1100-3000 l/min)	100/55 psi (7/4 bar)	YES	11.6" (29.5 cm)	14.2 lb (6.4 kg)
MC-ER-12A	2.5" NH (64mm)	300-800 gpm (1100-3000 l/min)	100/55 psi (7/4 bar)	NO	11.6" (29.5 cm)	14.2 lb (6.4 kg)
MC-ERP-22A	2.5" BSP (64mm)	300-800 gpm (1100-3000 l/min)	100/55 psi (7/4 bar)	YES	11.6" (29.5 cm)	14.2 lb (6.4 kg)
MC-ER-22A	2.5" BSP (64mm)	300-800 gpm (1100-3000 l/min)	100/55 psi (7/4 bar)	NO	11.6" (29.5 cm)	14.2 lb (6.4 kg)



Knob In Standard Pressure Mode



Knob In Low Pressure Mode

This nozzle features TFT's dual pressure knob. With a twist of the large knob on the front of the nozzle, the operating pressure may be switched between standard 100 psi (7 bar) and a low pressure mode 55 psi (4 bar).



MASTER FORCE FOAM ATTACHMENT

The full line of foam attachments can be found in the Foam Equipment section.

MODEL	FITS NOZZLE	LENGTH	WEIGHT
FJ-LX-M	Master Force Series	25.30" (64.3 cm)	6.4 lb (2.9 kg)


MASTER STREAM 1000 SERIES ELECTRIC REMOTE

250-1000 gpm (950-3800 l/min) Selectable



The TFT Master Stream 1000 series gives a clean, far-reaching straight stream. It is adjustable from straight stream to a dense fog pattern. The selectable gallonage nozzle has five selectable gallonage settings. All Master Stream series nozzles are suitable for use with foam and accept the FJ-LX-M FOAMJET low expansion air aspirating attachment.

When ordering a nozzle for use on TFT RC monitors, order a plug version ERP or ERSP. These versions are equipped with SMART STREAM technology. This technology utilizes a position encoder in the nozzle actuator to give the user greater control of the stream pattern, especially around FOG position. Delivered with a waterproof plug connection for seamless integration with TFT's Hurricane RC and Monsoon 1250 RC monitors.




- For use with TFT Hurricane RC, and Monsoon 1250 RC monitors
- Continuously variable from straight stream to wide fog
- Molded rubber fog teeth with full fill power fog
- Accepts FJ-LX-M Low Expansion foam attachment

MODEL	INLET	FLOW	OPERATING PRESSURE	SMART STREAM TECHNOLOGY	LENGTH	WEIGHT
MERSP1000-NJ	2.5" NH (64 mm)	250, 350, 500, 750, and 1000 gpm (950, 1300, 1900, 3000 and 3800 l/min)	100 psi (7 bar)	YES	12.0" (30.5 cm)	13.7 lb (6.2 kg)
M-ERS1000-NJ	2.5" NH (64 mm)	250, 350, 500, 750, and 1000 gpm (950, 1300, 1900, 3000 and 3800 l/min)	100 psi (7 bar)	NO	12.0" (30.5 cm)	13.7 lb (6.2 kg)

MASTER STREAM 1000 SERIES ELECTRIC REMOTE

150-1000 gpm (570-3800 l/min) Automatic



- For use with TFT Hurricane RC, Typhoon RC, and Monsoon RC monitors
- Continuously variable from straight stream to wide fog
- Molded rubber fog teeth with full fill power fog
- Accepts FJ-LX-M Low Expansion foam attachment

The TFT Master Stream 1000 series gives a clean, far-reaching straight stream. It is adjustable from straight stream to a dense fog pattern. The automatic series provides a constant nozzle pressure over a wide flow range and good stream quality. All Master Stream series nozzles are suitable for use with foam and accept the FJ-LX-M FOAMJET low expansion air aspirating attachment.

When ordering a nozzle for use on TFT RC monitors, order a plug version (ERP). ERP versions are equipped with SMART STREAM technology. This technology utilizes a position encoder in the nozzle actuator to give the user greater control of the stream pattern, especially around FOG position. Delivered with a waterproof plug connection for seamless integration with TFT's Hurricane RC, Typhoon RC, and Monsoon RC monitors.

MODEL	INLET	FLOW	OPERATING PRESSURE	SMART STREAM TECHNOLOGY	LENGTH	WEIGHT
M-ERP1000-NJ	2.5" NH (64 mm)	150-1000 gpm (570-3800 l/min)	100 psi (7 bar)	YES	12.0" (30.5 cm)	13.7 lb (6.2 kg)
M-ERP1000-NN	3.5" NH (89 mm)	150-1000 gpm (570-3800 l/min)	100 psi (7 bar)	YES	14.0" (35.6 cm)	15.8 lb (7.2 kg)

MASTER FORCE FOAM ATTACHMENT

The full line of foam attachments can be found in the Foam Equipment section.



MODEL	FITS NOZZLE	LENGTH	WEIGHT
FJ-LX-M	Master Stream 1000 Series	25.30" (64.3 cm)	6.4 lb (2.9 kg)

MASTER STREAM 1250S SERIES ELECTRIC REMOTE

150-1250 gpm (570-4700 l/min) Small Body Automatic



The TFT Master Stream 1250S series gives a clean, far-reaching straight stream. It is adjustable from straight stream to a dense fog pattern. Master Stream 1250S series nozzles are suitable for use with foam.

TFT's electric remote nozzles versions are equipped with SMART STREAM technology. This technology utilizes a position encoder in the nozzle actuator to give the user greater control of the stream pattern, especially around FOG position. Delivered with a waterproof plug connection for seamless integration with TFT's Hurricane RC, and Monsoon 1250 RC monitors.



- For use with TFT Hurricane RC, and Monsoon 1250 RC monitors
- Continuously variable from straight stream to wide fog
- Molded rubber fog teeth with full fill power fog
- Accepts FJ-LX-M Low Expansion foam attachment

MODEL	INLET	FLOW	OPERATING PRESSURE	SMART STREAM TECHNOLOGY	LENGTH	WEIGHT
M-ERP1250SNJ	2.5" NH (64 mm)	150-1250 gpm (570-4700 l/min)	100 psi (7 bar)	YES	12.0" (30.5 cm)	13.7 lb (6.2 kg)
M-ERP1250SBJ	2.5" BSP (64 mm)	150-1250 gpm (570-4700 l/min)	100 psi (7 bar)	YES	12.0" (30.5 cm)	13.7 lb (6.2 kg)




MASTER FORCE FOAM ATTACHMENT

The full line of foam attachments can be found in the Foam Equipment section.

MODEL	FITS NOZZLE	LENGTH	WEIGHT
FJ-LX-M	Master Stream 1250S Series	25.30" (64.3 cm)	6.4 lb (2.9 kg)

MASTER STREAM 1250 SERIES ELECTRIC REMOTE

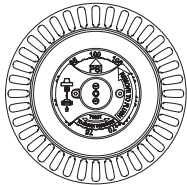
300-1250 gpm (1100-4500 l/min) Large Body Automatic

- For TFT Hurricane RC, Typhoon RC, and Monsoon RC monitors
- Operating pressure can be immediately adjusted to tactile detent settings between 70 and 120 psi (4.8 and 8.3 bar)
- Continuously variable from straight stream to wide fog
- Molded rubber fog teeth with full fill power fog
- Accepts FJ-LX-M3 Low Expansion foam attachment

TFT's electric remote nozzles are equipped with SMART STREAM technology. This technology utilizes a position encoder in the nozzle actuator to give the user greater control of the stream pattern, especially around FOG position. Delivered with a waterproof plug connection for seamless integration with TFT's Hurricane RC, Typhoon RC and Monsoon RC monitors.

MODEL	INLET	FLOW	OPERATING PRESSURE	SMART STREAM TECHNOLOGY	LENGTH	WEIGHT
M-ERP1250-NJ	2.5" NH (64 mm)	300-1250 gpm (1100-4500 l/min)	70-120 psi (4.8-8.3 bar)	YES	13.0" (33.0 cm)	18.4 lb (8.3 kg)
M-ERP1250-NN	3.5" NH (89 mm)	300-1250 gpm (1100-4500 l/min)	70-120 psi (4.8-8.3 bar)	YES	12.0" (30.5 cm)	17.3 lb (7.8 kg)



This nozzle features TFT's exclusive pressure adjustment knob. With a twist of the large knob on the front of the nozzle, operating pressure can be immediately adjusted to tactile detent settings between 70 and 120 psi (4.8 and 8.3 bar). At pressures other than 100 psi, maximum flow is determined by K-factor of 125.




FIXED AND RC MONITOR FOAM ATTACHMENT

The full line of foam attachments can be found in the Foam Equipment section.

MODEL	FITS NOZZLE	LENGTH	WEIGHT
FJ-LX-M3	Master Stream 1250 Large Body	29.90" (76.0 cm)	10.9 lb (4.94 kg)

MASTER STREAM 1500 SERIES ELECTRIC REMOTE

300-1500 gpm (1100-6000 l/min) Automatic

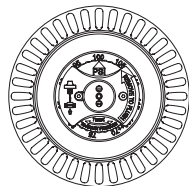
- For TFT Hurricane RC, Typhoon RC, and Monsoon RC monitors
- With a twist of the large knob on the front of the nozzle, constant operating pressure can be immediately adjusted to tactile detent settings between 70 and 120 psi (4.8 and 8.3 bar)
- Continuously variable from straight stream to wide fog
- Molded rubber fog teeth with full fill power fog
- Accepts FJ-LX-M3 Low Expansion foam attachment

Electrically operated pattern control for use on remote applications.

The rugged, aluminum drive is totally enclosed and waterproof. The 12 to 24 volt drive unit draws 3 amps. There is a manual override if the electrical power fails. Nozzle and actuator are hardcoat anodized aluminum for maximum resistance to corrosion and wear. Tip does not shut off.

TFT's electric nozzles are equipped with SMART STREAM technology. This technology utilizes a position encoder in the nozzle actuator to give the user greater control of the stream pattern, especially around FOG position. Delivered with a waterproof plug connection for seamless integration with TFT's Hurricane RC, Typhoon RC and Monsoon RC monitors.

MODEL	INLET	FLOW	OPERATING PRESSURE	SMART STREAM TECHNOLOGY	LENGTH	WEIGHT
M-ERP1500-NJ	2.5" NH (64 mm)	300-1500 gpm (1100-6000 l/min)	70-120 psi (4.8-8.3 bar)	YES	13.0" (33.0 cm)	18.0 lb (8.2 kg)
M-ERP1500-NN	3.5" NH (89 mm)	300-1500 gpm (1100-6000 l/min)	70-120 psi (4.8-8.3 bar)	YES	12.0" (32.0 cm)	17.3 lb (7.8 kg)



This nozzle features TFT's exclusive pressure adjustment knob. With a twist of the large knob on the front of the nozzle, operating pressure can be immediately adjusted to tactile detent settings between 70 and 120 psi (4.8 and 8.3 bar). At pressures other than 100 psi, maximum flow is determined by K-factor of 150.



FIXED AND RC MONITOR FOAM ATTACHMENT

The full line of foam attachments can be found in the Foam Equipment section.

MODEL	FITS NOZZLE	LENGTH	WEIGHT
FJ-LX-M3	Master Stream 1500 Large Body	29.90" (76.0 cm)	10.9 lb (4.94 kg)

MASTER STREAM 2000 SERIES ELECTRIC REMOTE

300-2000 gpm (1100-7600 l/min) Automatic

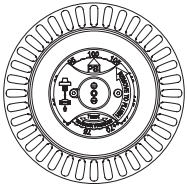


- For use with TFT Typhoon RC and Monsoon RC monitors
- Nozzle pressure adjustable between 80 and 120 psi (5.5 and 8.3 bar)
- Continuously variable from straight stream to wide fog
- Molded rubber fog teeth with full fill power fog

The rugged, aluminum drive is totally enclosed and waterproof. The 12 to 24 volt drive unit draws 3 amps. There is a manual override if the electrical power fails. Nozzle and actuator are hardcoat anodized aluminum for maximum resistance to corrosion and wear. Tip does not shut off.

TFT's electric nozzles are equipped with SMART STREAM technology. This technology utilizes a position encoder in the nozzle actuator to give the user greater control of the stream pattern, especially around FOG position. Delivered with a waterproof plug connection for seamless integration with TFT's Typhoon RC and Monsoon RC monitors.

MODEL	INLET	FLOW	OPERATING PRESSURE	SMART STREAM TECHNOLOGY	LENGTH	WEIGHT
M-ERP2000-NN	3.5" NH (89 mm)	300 - 2000 gpm (1100 - 7600 l/min)	80-120 psi (5.5-8.3 bar)	YES	12.1" (30.7 cm)	22.3 lb (10.1 kg)



This nozzle features TFT's exclusive pressure adjustment knob. With a twist of the large knob on the front of the nozzle, operating pressure can be immediately adjusted to tactile detent settings between 80 and 120 psi (4.8 and 8.3 bar). At pressures other than 100 psi, maximum flow is determined by K-factor of 230.

VORTEX® 2ER AND VORTEX® 3ER ELECTRIC REMOTE

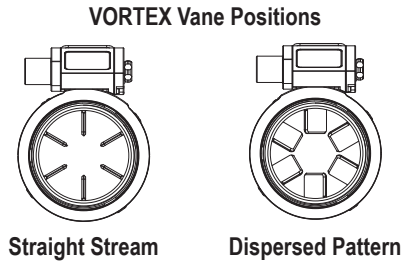
The TFT VORTEX® 2 and 2ER enhances the use of a smoothbore nozzle. It is intended for installation behind a smoothbore nozzle for use with water, firefighting foam solutions or CAFS. Six short vanes in the bore of the VORTEX reduce turbulence in straight stream. Actuation from "STREAM" to "VORTEX" causes the vanes to pivot proportionally. This

induces a gentle spin in the water to create a uniformly dispersed stream pattern at the exit of the smoothbore tip resulting in virtually no friction loss regardless of which stream pattern is selected. Lightweight hardcoat anodized aluminum for maximum resistance to corrosion and wear.



SVJE-NJNJ
SVNE-NNNN
SVJE-NNNJ

- For use on TFT Hurricane RC, Typhoon RC, and Monsoon RC monitors
- Electric Remote control with a manual override to actuate from "STREAM" to "VORTEX"
- Internal vanes allow larger debris to easily pass through the Vortex
- Unrestricted stream straightener
- Use with any Master Stream Smoothbore Tip



MODEL	INLET	OUTLET	OPERATING SYSTEM	MAXIMUM PRESSURE	FLOW	LENGTH	WEIGHT
SVJE-NJNJ	2.5" NH (64 mm)	2.5" NH (64 mm)	ELECTRIC REMOTE	300 psi (21 bar)	Up to 1250 gpm (up to 4500 l/min)	8.4" (21.3 cm)	7.9 lb (3.6 kg)
SVNE-NNNN	3.5" NH (89 mm)	3.5" NH (89 mm)	ELECTRIC REMOTE	300 psi (21 bar)	Up to 2500 gpm (up to 9500 l/min)	9.0" (22.9 cm)	13.9 lb (6.3 kg)
SVJE-NNNJ	3.5" NH (89 mm)	2.5" NH (64 mm)	ELECTRIC REMOTE	300 psi (21 bar)	Up to 1250 gpm (up to 4500 l/min)	9.0" (22.9 cm)	13.9 lb (6.3 kg)

SMOOTHBORE STACKED TIP FOR FIXED AND RC MONITORS WITH VORTEX

The full line of Smoothbore Stacked Tips can be found in the Master Stream Nozzles Manual section..



MODEL	INLET	ORIFICE OPENINGS	LENGTH	WEIGHT
MST-4NJ	2.5" NH (64 mm)	2", 1.75", 1.5", and 1.375" (51 mm, 44 mm, 38 mm and 35 mm)	16.90" (42.9 cm)	3.10 lb (1.40 kg)
MST-4NN	3.5" NH (89 mm)	2", 1.75", 1.5", and 1.375" (51 mm, 44 mm, 38 mm and 35 mm)	18.90" (48.0 cm)	5.6 lb (2.5 kg)

SMOOTHBORE TIPS FOR FIXED MONITORS WITH VORTEX

The full line of Smoothbore Tips can be found in the Master Stream Nozzles Manual section..



MODEL	INLET FEMALE	ORIFICE	LENGTH	WEIGHT
YST-3NN	3.5" NH (89 mm)	2.5", 2.25", and 2.0" (64 mm, 57 mm and 51 mm)	12.70" (32.3 cm)	4.9 lb (2.2 kg)
YST-1NN	3.5" NH (89 mm)	2.5" (64 mm)	6.1" (15.5 cm)	2.7 lb (1.2 kg)

TSUNAMI™ STACKED TIPS

4 Orifice

Designed for Tsunami monitor use up to 8,000 gpm (30,000 l/min), these stacked tips are hardcoat anodized, allow four orifice options, have a built in stream straightener and pressure/flow charts labeled on each tip. Orifice openings are 5.125", 4.5", 4.0", and 3.5". (130 mm, 114 mm, 102 mm and 89 mm). Quick connect inlet coupling for Tsunami monitor.

MODEL	INLET	ORIFICE OPENINGS	LENGTH	WEIGHT
YST-8NX	7" Tsunami Quick Connect	5.125", 4.5", 4.0", and 3.5" (130 mm, 114 mm, 102 mm and 89 mm)	44.2" (112.3 cm)	37.7 lb (17.1 kg)



YST-8NX

- Quick connect inlet
- Built in stream straightener
- Removable straight section for Vortex 6ER installation

VORTEX® 6ER ELECTRIC REMOTE



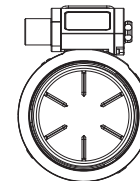
SVXE

19.90 lbs (9.0 kg)
11.00" Long (27.9 cm)

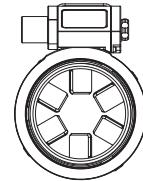
- 6" NHF (152 mm) inlet
- 6" NHM (152 mm) outlet
- Replaces straight section of YST-8NX stacked tips

Designed for monitor use up to 8,000 gpm (30,000 l/min), it is intended for installation behind the Tsunami smoothbore nozzles for use with water or fire fighting foam solutions. Six short vanes in the bore of the Vortex reduce turbulence in straight stream. Actuating from "STREAM" to "VORTEX" causes the vanes to pivot proportionally. This induces a gentle spin in the water to create a uniformly dispersed Vortex stream pattern, resulting in virtually no friction loss regardless of which stream pattern is selected. The vanes also allow large debris to easily pass through the Vortex. Manual override included.

VORTEX Vane Positions



Straight Stream



Dispersed Pattern

MASTER STREAM 4000 ELECTRIC REMOTE



MT-A4ERP-QC

56.3 lbs (25.5 kg)
21.0" (53.3 cm) Length
13.0" (33.0 cm) Width
10.0" (25.4 cm) Diameter

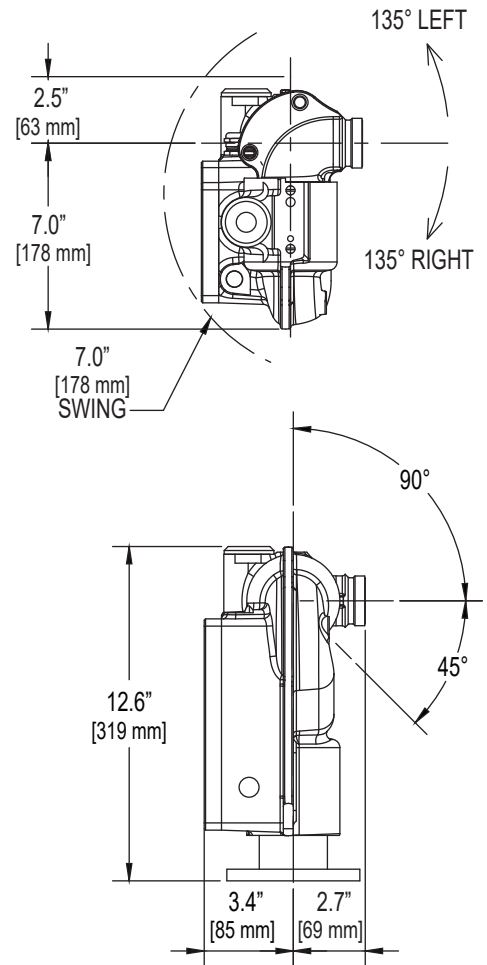
The Master Stream 4000 ER series is a super-high volume nozzle capable of flowing up to 4,000 gpm (15,000 l/min). The automatic version flows 600-4,000 gpm (2,300-15,000 l/min) and incorporates field adjustable nozzle pressure regulation capable of constant nozzle pressures from 80-120 psi (5.5-8.3 bar).

The Selectable version has flow settings of 2,000, 3,000, and 4,000 gpm (7,500, 11,000 and 15,000 l/min) at 100 psi (7 bar). Continuously variable pattern from straight stream to wide fog. Fog and straight stream adjustments are smooth and are controlled from the TFT monitor controller. Hardcoat anodized aluminum for maximum resistance to corrosion and wear. Quick connect coupling for Tsunami monitor and 6" (152 mm) ANSI flange inlet options available.

MODEL	ATTACHMENT	FLOW	PRESSURE	OPERATING SYSTEM
MT-A4ERP-QC	TSUNAMI QC	600-4000 gpm (2300-15000 l/min)	80-120 psi (5.5-8.3 bar)	AUTOMATIC
MT-A4ER-FX	6" ANSI 150 FLANGE	600-4000 gpm (2300-15000 l/min)	80-120 psi (5.5-8.3 bar)	AUTOMATIC
MT-S3ERP-QC	TSUNAMI QC	2000/3000/4000 gpm (7500/11000/15000 l/min)	100 psi (7 bar)	SELECTABLE

EF1™ RC
200 gpm (750 l/min)

The EF1 RC monitor is extremely compact, yet it has a large 1.5" (38 mm) waterway, capable of flowing up to 200 gpm, making it the ideal forestry bumper turret. Waterway with turning vane has only 19 psi (1.3 bar) friction loss at 200 gpm (750 l/min). Elevation range is 90° above horizontal to 45° below. Horizontal travel is 270° (135° either side of a center position). Field changeable horizontal travel stops to give 180° (90° either side of a center position). Designed for 12 VDC or 24 VDC operation, selection is automatic. The EF1 RC monitor optional controllers (sold separately) allow for monitor horizontal rotation, elevation, nozzle pattern, programmable PARK and Oscillate. The motor control circuits use position encoders and current limiting to protect the drive train at the ends of travel. Unit has waterproof factory installed plug on power wire for easy removal or reinstallation. Electric drives and control box are waterproof. Main waterway made from hardcoat anodized aluminum. Silver powder coat finish. Various inlets are available. Contact factory for details about wireless operation.





Y1-E31A
 SAMPLE PART NUMBER
17.0 lb (7.7 kg)

- Excellent wildland and interface monitor
- Compact for front bumper mounting
- Enclosed motors and electronics
- External wiring is reduced to a minimum
- Single plug for quick installation
- IP65 ingress protection on electronics

Build your monitor model number by specifying inlet and outlet numbers in the chart. Choose one option from each category. Example: Y1-E32A is an electric monitor with 1.5" (38 mm) ANSI 150 flange inlet and 1.5" NH (38 mm) male threaded exit. For assistance in ordering, please contact TFT customer service.

Y1-E		A
INLET		OUTLET
2) 1.5" (38 mm) BSPT Female	A) 2.0"-11 (51 mm) BSPT Female ±	1) 1.5"-11 (38 mm) BSP Male
3) 1.5" (38 mm) ANSI 150 **	E) 2.0"-11.5 (51 mm) NPT Female ±	2) 1.5"-9 (38 mm) NH Male
4) 1.5" (38 mm) NPT Female	J) 1.5"-11.5 (38 mm) NPT Female ±	
6) 2.0" (51 mm) BSPT Female		
7) 2.0" (51 mm) ANSI 150 **		
8) 2.0" (51 mm) NPT Female		
9) 2.5"-7.5 (64 mm) NH Female §		
± 2.5" NH Male Quick Connect Inlet Adapter	** 1.5" (38 mm) NPT Female on inner diameter of flange	
	§ No inlet adapter	

Frequently Purchased EF1 RC Monitor Nozzles found on next page.

Frequently Purchased EF1 Monitor Nozzles and Accessories



SMOOTHBORE NOZZLES 1.5" (38 mm)

The full line of Smoothbore Nozzles can be found in the Handheld Nozzle section.

MODEL	INLET FEMALE	ORIFICE	LENGTH	WEIGHT
FSS5	1.5" NH (38 mm)	1/2" (13 mm)	4.00" (10.2 cm)	0.4 lb (0.2 kg)
FSS7	1.5" NH (38 mm)	3/4" (19 mm)	5.00" (12.7 cm)	0.6 lb (0.3 kg)
FSS8	1.5" NH (38 mm)	7/8" (22 mm)	5.00" (12.7 cm)	0.6 lb (0.3 kg)
FSS9	1.5" NH (38 mm)	1.0" (25 mm)	5.00" (12.7 cm)	0.6 lb (0.3 kg)



BUBBLE CUP ER NOZZLE FOR EF1 RC MONITORS

The full line of Fixed and RC Monitor Nozzles can be found in the Fixed and RC Monitor Nozzle section.

MODEL	INLET	FLOW	OPERATING PRESSURE	SMART STREAM TECHNOLOGY	LENGTH	WEIGHT
F2060BCER	1.5" NH(38 mm)	20 and 60 gpm (75 and 230 l/min)	100 psi (7 bar)	YES	11.4" (29.0 cm)	5.7 lb (2.6 kg)
F2095BCER	1.5" NH (38 mm)	20 and 95 gpm (75 and 360 l/min)	100 psi (7 bar)	YES	11.4" (29.0 cm)	5.7 lb (2.6 kg)



ULTIMATIC ER NOZZLE FOR EF1 RC MONITORS

The full line of Fixed and RC Monitor Nozzles can be found in the Fixed and RC Monitor Nozzle section.

MODEL	INLET	FLOW	OPERATING PRESSURE	SMART STREAM TECHNOLOGY	LENGTH	WEIGHT
B-TO-ERP*	1.5" NH (38 mm)	10-125 gpm (40-500 l/min)	100 psi (7 bar)	YES	10.25" (26.0 cm)	6.4 lb (2.9 kg)
BL-TO-ERP*	1.5" NH (38 mm)	10-100 gpm (40-380 l/min)	75 psi (5 bar)	YES	10.25" (26.0 cm)	6.4 lb (2.9 kg)
B-TOS-ERP	1.5" NH (38 mm)	15-120 gpm (60-450 l/min)	100 psi (7 bar)	YES	9.9" (25.1 cm)	5.9 lb (2.7 kg)

* When installing B-TO-ERP or BL-TO-ERP nozzle on EF1 RC monitor, please request longer nozzle cable when ordering.



REMOTE CONTROL ACCESSORIES FOR EF1 RC MONITORS

The full line of Remote Control Accessories can be found in the Remote Control Accessories section.

MODEL	DESCRIPTION	LENGTH	WEIGHT
Y4E-JS-52	Joystick Controller for Standard Valve	10.00"H x 4.75"W x 4.75"L (25.40 x 12.1 x 12.1 cm)	5.00 lb (2.30 kg)
Y4E-JS-GT	Joystick Controller for Gateable Valve	10.00"H x 4.75"W x 4.75"L (25.40 x 12.1 x 12.1 cm)	5.00 lb (2.30 kg)
YE-VK-PF	1.5" NPT Standard Valve	4.80"L x 7.10"W x 9.40"H (12.20 x 18.0 x 23.9 cm)	8.50 lbs (3.80 kg)
YE-VK-PH	2.0" NPT Standard Valve	5.40"L x 7.10"W x 10.0"H (13.70 x 18.0 x 25.4 cm)	9.00 lb (4.00kg)
YE-VKG-PF	1.5" NPT Gateable Valve	4.80"L x 7.10"W x 9.40"H (12.2 x 18.0 x 23.9 cm)	9.00 lb (4.00kg)
YE-VKG-PH	2.0" NPT Gateable Valve	5.40"L x 7.10"W x 10.0"H (13.7 x 18.0 x 25.4 cm)	9.0 lb (4.0kg)

TORNADO® RC
500 gpm (2000 l/min)



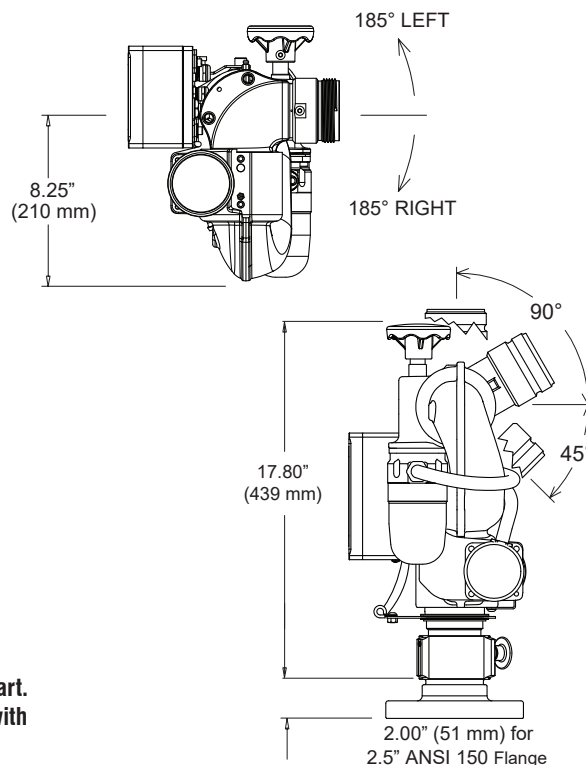
The Tornado RC is very compact, yet it has a large 2-1/4" waterway, capable of flowing up to 500 gpm (2000 l/min), making it the ideal bumper turret. Waterway with turning vane has only 19 psi (1.3 bar) friction loss at 500 gpm (2000 l/min). Elevation range is 90° above horizontal to 45° below. Field changeable elevation travel stops at 45° above and 20° below horizontal. Horizontal travel is 370° (185° either side of a center position). Field changeable horizontal travel stops to give 180° (90° either side of a center position). Designed for 12 VDC or 24 VDC operation, selection is automatic. The Tornado RC comes with a control panel on the monitor for horizontal rotation, elevation, nozzle pattern, programmable PARK and Oscillate. The motor control circuits

use position encoders and current limiting to protect the drive train at the ends of travel. Unit has waterproof factory installed plug on power wire for easy removal or reinstallation. Knobs for manual override are provided on the horizontal rotation and elevation drive. Electric drives and control box are waterproof. Main waterway made from hardcoat anodized ANSI 356-T6 aluminum. Silver powder coat finish inside and out. Various inlets are available. Locking quick connect inlets allows for quick removal of the Tornado for installations such as bumper mounting, where the monitor must be removed to tilt the cab of the truck. For wireless operation, purchase wireless operator station and radio/antenna found in the RC Monitor Controls and Accessories section of the catalog.



Y2-E11A
SAMPLE PART NUMBER
25.0 lb. (11.3 kg)

- 2.5" NH (64 mm) Coupling Quick Connects to various inlet adapters.
- Rigid inlets without quick connect are available
- IP66/67 ingress protection on electronics.



Build your monitor model number by specifying inlet and outlet numbers in the chart. Choose one option from each category. Example: Y2-E61A is an electric monitor with 2.5" (64 mm) ANSI 150 flange inlet and 2.5" NH (64 mm) male threaded exit. For assistance in ordering, please call TFT customer service.

Y2-E			A
INLET		OUTLET	
<p>1) 2.5"-7.5 NH (64 mm) Female §</p> <p>3) 2.0"-11 BSPT (51 mm) Female</p> <p>6) 2.5" (64 mm) ANSI 150 Flange</p> <p>8) 2.0"-11.5 NPT (51 mm) Female</p>	<p>0) 3.0" (76 mm) ANSI 150 DN80 PN16 Flange</p> <p>L) TFT Code-RLF*</p>	<p>1) 2.5"-7.5 NH (64 mm) Male</p> <p>2) 2.5"-11 BSP (64 mm) Male</p> <p>3) 1.5"-11 BSP (38 mm) Male</p> <p>4) 1.5"-9 NH (38 mm) Male</p>	
<p>* Code-RLF fits Extend-A-Gun RC3</p> <p>§ No inlet adapter</p>			

LED Integrated Lighting Kit can be found in the RC Monitor Controls and Accessories section of the catalog.

Frequently Purchased TORNADO RC Monitor Nozzles 1.5" (38 mm) Outlet Series



SMOOTHBORE NOZZLES 1.5" (38 mm)

The full line of Smoothbore Nozzles can be found in the Handheld Nozzle section.

MODEL	INLET FEMALE	ORIFICE	LENGTH	WEIGHT
FSS9	1.5" NH (38 mm)	1.0" (25 mm)	5.00" (12.7 cm)	0.6 lb (0.3 kg)
FSS13-CAFS	1.5" NH (38 mm)	CAFS STRAIGHT TIP 1-3/8" (35 mm)	10.45" (26.5 cm)	1.7 lb (0.8 kg)



ULTIMATIC ER NOZZLE FOR TORNADO RC MONITORS

The full line of Fixed and RC Monitor Nozzles can be found in the Fixed and RC Monitor Nozzle section.

MODEL	INLET	FLOW	OPERATING PRESSURE	SMART STREAM TECHNOLOGY	LENGTH	WEIGHT
B-TO-ERP*	1.5" NH (38 mm)	10-125 gpm (40-500 l/min)	100 psi (7 bar)	YES	10.25" (26.0 cm)	6.4 lb (2.9 kg)
BL-TO-ERP*	1.5" NH (38 mm)	10-100 gpm (40-380 l/min)	75 psi (5 bar)	YES	10.25" (26.0 cm)	6.4 lb (2.9 kg)
B-TOS-ERP	1.5" NH (38 mm)	15-120 gpm (60-450 l/min)	100 psi (7 bar)	YES	9.9" (25.1 cm)	5.9 lb (2.7 kg)

* When installing B-TO-ERP or BL-TO-ERP nozzle on TORNADO RC monitor, please request longer nozzle cable when ordering.



MID-MATIC ER Nozzle

The full line of Fixed and RC Monitor Nozzles can be found in the Fixed and RC Monitor Nozzle section.

MODEL	INLET	FLOW	OPERATING PRESSURE	SMART STREAM TECHNOLOGY	LENGTH	WEIGHT
HM-TO-ERP	1.5" NH (38 mm)	70-200 gpm (260-760 l/min)	100 psi (7 bar)	YES	9.7" (24.6 cm)	6.5 lb (2.9 kg)



MID-FORCE ER Nozzle

The full line of Fixed and RC Monitor Nozzles can be found in the Fixed and RC Monitor Nozzle section.

MODEL	INLET	FLOW	OPERATING PRESSURE	SMART STREAM TECHNOLOGY	LENGTH	WEIGHT
HMD-TO-ERP	1.5" NH (38 mm)	70-200 gpm (260-760 l/min)	100/75 psi (7/5 bar)	YES	9.7" (24.6 cm)	6.5 lb (2.9 kg)

Continued on next page.

Frequently Purchased Tornado RC Monitor Nozzles 2.5" (64 mm) Outlet Series



MAX SERIES NOZZLES FOR RC MONITORS

The full line of Master Stream Nozzles can be found in the Master Stream Nozzles section.

MODEL	INLET (SWIVEL)	FLOW	OPERATING PRESSURE	LENGTH	WEIGHT
MD-ERP12A	2.5" (64 mm) NH FEMALE	100-500 gpm (400-2000 l/min)	55/100 PSI (4/7 bar)	10.2" (25.9 cm)	10.2 lbs (4.6 kg)
MD-ERP18A	2.5" (64 mm) NH FEMALE	100-500 gpm (400-2000 l/min)	100 PSI (7 bar)	10.2" (25.9 cm)	10.0 lbs (4.5 kg)
MD-ERP28A	2.5" (64 mm) BSP FEMALE	100-500 gpm (400-2000 l/min)	100 PSI (7 bar)	10.2" (25.9 cm)	10.0 lbs (4.5 kg)



FOAM ATTACHMENTS

The full line of foam attachments can be found in the Foam Equipment section.

MODEL	FITS NOZZLE	FRONT END	DIAMETER	LENGTH	WEIGHT
FJ-U	Ultimatic	Flexible Rubber	NA	9.75" (24.8 cm)	1.2 lb (0.5 kg)

MODEL	FITS NOZZLE	LENGTH	WEIGHT
FJ-MX-MD	Max-Series Nozzles	16.20" (41.1 cm)	4.6 lb (2.1 kg)

Frequently Purchased Tornado RC Monitor Accessories



REMOTE CONTROL ACCESSORIES FOR TORNADO RC MONITORS

The full line of Remote Control Accessories can be found in the Remote Control Accessories section.

MODEL	DESCRIPTION	LENGTH	WEIGHT
Y4E-JS-52	Joystick Controller for Standard Valve	10.00"H x 4.75"W x 4.75"L (25.40 x 12.1 x 12.1 cm)	5.00 lb (2.30 kg)
Y4E-JS-GT	Joystick Controller for Gateable Valve	10.00"H x 4.75"W x 4.75"L (25.40 x 12.1 x 12.1 cm)	5.00 lb (2.30 kg)
YE-VK-PF	1.5" NPT Standard Valve	4.80"L x 7.10"W x 9.40"H (12.20 x 18.0 x 23.9 cm)	8.50 lbs (3.80 kg)
YE-VK-PH	2.0" NPT Standard Valve	5.40"L x 7.10"W x 10.0"H (13.70 x 18.0 x 25.4 cm)	9.00 lb (4.00kg)
YE-VKG-PF	1.5" NPT Gateable Valve	4.80"L x 7.10"W x 9.40"H (12.2 x 18.0 x 23.9 cm)	9.00 lb (4.00kg)
YE-VKG-PH	2.0" NPT Gateable Valve	5.40"L x 7.10"W x 10.0"H (13.7 x 18.0 x 25.4 cm)	9.0 lb (4.0kg)
Y4E-DISP	MONITOR POSITION DISPLAY	4.25"L x 4.25"W x 1.30"H (10.8 x 10.8 x 3.3 cm)	2.70 lb (1.20 kg)
YE-LK12-KIT	LED SEARCH-LIGHT KIT	4.30" (10.9 cm) Height	1.7 lb (0.8 kg)

TORNADO® RC DUST MITIGATION
 500 gpm (2000 l/min) Compact Industrial Monitor



TFT's TORNADO RC compact industrial monitor is designed for both fire and industrial applications. This industrial version is certified to ingress protection IP66/67 to limit penetration of dust and moisture into the electronics, ball races and gears. Models are remotely operated and are capable of flowing up to 500 gpm (2000 l/min). Heavy duty seals and O-rings help mitigate contamination in applications like mining and road construction.

- High performance seals in both the vertical and horizontal axis minimize penetration of dust and moisture in bearing races
- Override knobs have been replaced with protective caps and seals to minimize penetration of dust and moisture in the worm gear area
- 340° maximum total rotation for the horizontal axis
- Horizontal axis has infinitely adjustable travel stops

Worldwide Approval and Certifications

from agencies around the world, as well as being a Registered Firm to ISO 9001:2015 by Underwriter's. Certificates for specific models are available for review on the TFT website at tft.com/Resource-Library, and include approvals of remote controlled models used in potentially hazardous atmospheres as well as country specific requirements.

All products are designed, developed, and manufactured in the United States of America at our Valparaiso, Indiana world headquarters.

Operating voltage of 12 or 24 VDC, selection is automatic. Hardcoat aluminum, powder coated inside and out. Programmable stow, and vertical and horizontal oscillation. 135° vertical range (-45° to +90°) 27.1 lb (12.3 kg).



MODEL	INLET	OUTLET
Y2-E01A-S	3" ANSI 150 DN80 PN16 Flange	2.5" (64 mm) NHM
Y2-E02A-S	3" ANSI 150 DN80 PN16 Flange	2.5" (64 mm) BSPM
Y2-E03A-S	3" ANSI 150 DN80 PN16 Flange	1.5" (38 mm) BSPM
Y2-E04A-S	3" ANSI 150 DN80 PN16 Flange	1.5" (38 mm) NHM
Y2-EG4A-S	DN65 TABLE E	1.5" (38 mm) NHM

Frequently Purchased TORNADO RC Dust Mitigation Monitor Nozzles found on next page.

Frequently Purchased TORNADO RC Dust Mitigation Monitor Nozzles 1.5" (38 mm) Outlet Series

SMOOTHBORE NOZZLES 1.5" (38 mm) FOR RC MONITORS

The full line of Smoothbore Nozzles can be found in the Handheld Nozzle section.



MODEL	INLET FEMALE	ORIFICE	LENGTH	WEIGHT
FSS9	1.5" NH (38 mm)	1.0" (25 mm)	5.00" (12.7 cm)	0.6 lb (0.3 kg)
FSNYSTACK	1.5" NH (38 mm)	15/16" and 1/2" (24 mm and 13 mm)	6.62" (16.9 cm)	0.8 lb (0.4 kg)

ULTIMATIC ER NOZZLE FOR RC MONITORS

The full line of Fixed and RC Monitor Nozzles can be found in the Fixed and RC Monitor Nozzle section.



MODEL	INLET	FLOW	OPERATING PRESSURE	SMART STREAM TECHNOLOGY	LENGTH	WEIGHT
B-TO-ERP*	1.5" NH (38 mm)	10-125 gpm (40-500 l/min)	100 psi (7 bar)	YES	10.25" (26.0 cm)	6.4 lb (2.9 kg)
BL-TO-ERP*	1.5" NH (38 mm)	10-100 gpm (40-380 l/min)	75 psi (5 bar)	YES	10.25" (26.0 cm)	6.4 lb (2.9 kg)

MID-MATIC ER NOZZLE FOR RC MONITORS

The full line of Fixed and RC Monitor Nozzles can be found in the Fixed and RC Monitor Nozzle section.



MODEL	INLET	FLOW	OPERATING PRESSURE	SMART STREAM TECHNOLOGY	LENGTH	WEIGHT
HM-TO-ERP	1.5" NH (38 mm)	70-200 gpm (260-760 l/min)	100 psi (7 bar)	YES	9.7" (24.6 cm)	6.5 lb (2.9 kg)

MID-FORCE ER NOZZLE FOR RC MONITORS

The full line of Fixed and RC Monitor Nozzles can be found in the Fixed and RC Monitor Nozzle section.



MODEL	INLET	FLOW	OPERATING PRESSURE	SMART STREAM TECHNOLOGY	LENGTH	WEIGHT
HMD-TO-ERP	1.5" NH (38 mm)	70-200 gpm (260-760 l/min)	100/75 psi (7/5 bar)	YES	9.7" (24.6 cm)	6.5 lb (2.9 kg)

Frequently Purchased TORNADO RC Dust Mitigation Monitor Remote Control Accessories

REMOTE CONTROL ACCESSORIES FOR RC MONITORS

The full line of Remote Control Accessories can be found in the Remote Control Accessories section.



MODEL	DESCRIPTION	LENGTH	WEIGHT
Y4E-JS-52	Joystick Controller for Standard Valve	10.00"H x 4.75"W x 4.75"L (25.40 x 12.1 x 12.1 cm)	5.00 lb (2.30 kg)
YE-VK-PH	2.0" NPT Standard Valve	5.40"L x 7.10"W x 10.0"H (13.70 x 18.0 x 25.4 cm)	9.00 lb (4.00kg)
YE-VK-PJ	2.5" NPT Standard Valve	6.70"L x 8.60"W x 13.70"H (17.0 x 21.8 x 34.8 cm)	23.00 lb (13.20 kg)

Continued on next page.

Frequently Purchased TORNADO RC Dust Mitigation Monitor Nozzles 2.5" (64 mm) Outlet Series



MAX SERIES NOZZLES FOR RC MONITORS

The full line of Master Stream Nozzles can be found in the Master Stream Nozzles section.

MODEL	INLET (SWIVEL)	FLOW	OPERATING PRESSURE	LENGTH	WEIGHT
MD-ERP12A	2.5" (64 mm) NH FEMALE	100-500 gpm (400-2000 l/min)	55/100 PSI (4/7 bar)	10.2" (25.9 cm)	10.2 lbs (4.6 kg)
MD-ERP18A	2.5" (64 mm) NH FEMALE	100-500 gpm (400-2000 l/min)	100 PSI (7 bar)	10.2" (25.9 cm)	10.0 lbs (4.5 kg)
MD-ERP28A	2.5" (64 mm) BSP FEMALE	100-500 gpm (400-2000 l/min)	100 PSI (7 bar)	10.2" (25.9 cm)	10.0 lbs (4.5 kg)



FOAM ATTACHMENTS

The full line of foam attachments can be found in the Foam Equipment section.

MODEL	FITS NOZZLE	LENGTH	WEIGHT
FJ-MX-MD	Max-Series and ZN Series Industrial Nozzles	16.20" (41.1 cm)	4.6 lb (2.1 kg)

PROTECTOR™ FIXED STATION MONITOR

1250 GPM (4750 l/min)

The Task Force Tips' Protector is a simple and rugged fixed station monitor with many unique features. Its patented waterway gives low friction loss and delivers water to the nozzle with fewer twists and turns than a conventional monitor. The optional built-in on/off valve with position indicator eliminates the need to add a costly valve to the monitor installation. The Protector is capable of flowing up to 1250 gpm (4750 l/min) while maintaining a FULL 360° rotational ability. The lever-action rotational lock is activated in one motion, visually confirmed, and securely holds the monitor's horizontal position. The Protector can be directly

bolted to many common pipe flanges. The outlet is available with various 2.5" (64 mm) male threads. The simple and basic design requires no grease application or other maintenance. Swiveling elements and seals (including valve seat) can be replaced within a few minutes with common hand tools. Threaded ports (0.25" NPT) (6 mm) are provided for drain valve (included) and pressure gauge installation. Maximum pressure is 250 psi (17 bar). The Protector is hardcoat anodized ANSI 356-T6 aluminum and is fully powder coat finished inside and out. Swivel clamps, 3" (6 mm) valve ball, trunnions, and hardware are 18-8 stainless steel.



Z1111A
SAMPLE PART NUMBER
35.20 lb (16.0kg)

- 2.5" (64 mm) threaded exit
- On/off valve



Z1211A
SAMPLE PART NUMBER
27.8 lb (12.6 kg)

- 2.5" (64 mm) threaded exit
- Without on/off valve

Build your monitor model number by specifying inlet and outlet numbers in the charts below. Choose one option from each category. For assistance in ordering, please call 1-800-348-2686 and speak to a monitor specialist.

Z11		A
	INLET FLANGE	OUTLET THREADED
	<ol style="list-style-type: none"> 1) 3" ANSI 150 DN80 PN16 2) 4" ANSI 150 DN100 PN 16* 	<ol style="list-style-type: none"> 1) 2.5" - 7.5 NH 2) 2.5" 11 BSP 9) SPECIAL THREADS (specify when ordering)
* Includes galvanic isolation sleeve (only fits 4" ANSI 150 bolt pattern)		

Z12		A
	INLET FLANGE	OUTLET THREADED
	<ol style="list-style-type: none"> 1) 3" ANSI 150 DN80 PN16 2) 4" ANSI 150 DN100 PN16* 	<ol style="list-style-type: none"> 1) 2.5" (64 mm) - 7.5 NH 2) 2.5" (64 mm) - 11 BSP 9) SPECIAL THREADS (specify when ordering)
* Includes galvanic isolation sleeve (only fits 4" ANSI 150 bolt pattern)		

Conversions

- 2.5" (64 mm)
- 3.0" (76 mm)
- 4.0" (102 mm)

Frequently Purchased Protector Monitor Nozzles and Foam Attachments



MASTER FORCE NOZZLE FOR FIXED MONITORS

The full line of Master Stream Nozzles can be found in the Master Stream Nozzles Manual section.

MODEL	INLET	FLOW	OPERATING PRESSURE	LENGTH	WEIGHT
MC12A	2.5" NH (64 mm)	300-800 gpm (1100-3000 l/min)	100/55 psi (7/4 bar)	10.4" (26.4 cm)	9.5 lb (4.3 kg)



MASTER STREAM NOZZLE FOR FIXED MONITORS

The full line of Master Stream Nozzles can be found in the Master Stream Nozzles Manual section.

MODEL	INLET	OPERATING SYSTEM	FLOW	OPERATING PRESSURE	LENGTH	WEIGHT
M-R1000-NJ	2.5" NH (64 mm)	AUTOMATIC	150-1000 gpm (600-3800 l/min)	100 psi (7 bar)	10.0" (25.4 cm)	9.1 lb (4.1 kg)
M-R1000-BJ	2.5" BSP (64 mm)	AUTOMATIC	150-1000 gpm (600-3800 l/min)	100 psi (7 bar)	10.0" (25.4 cm)	9.1 lb (4.1 kg)
M-RS1000-NJ	2.5" NH (64 mm)	SELECTABLE	250, 350, 500, 750, and 1000 gpm (950, 1300, 2000, 3000 and 4000 l/min)	100 psi (7 bar)	10.0" (25.4 cm)	9.1 lb (4.1 kg)
M-RF1000-NJ	2.5" NH (64 mm)	FIXED	Factory preset at the customer's specified K-factor 50 to 105 maximum. Must specify flow and pressure at time of order.		10.0" (25.4 cm)	8.3 lb (3.8 kg)



MASTER STREAM NOZZLE FOR FIXED MONITORS

The full line of Master Stream Nozzles can be found in the Master Stream Nozzles Manual section.

MODEL	INLET	OPERATING SYSTEM	FLOW	OPERATING PRESSURE	LENGTH	WEIGHT
M-R1250S-NJ	2.5" NH (64 mm)	AUTOMATIC	150-1250 gpm (570-4700 l/min)	100 psi (7 bar)	10.0" (25.4 cm)	10.4 lb (4.7 kg)
M-R1250S-BJ	2.5" BSP (64 mm)	AUTOMATIC	150-1250 gpm (570-4700 l/min)	100 psi (7 bar)	10.0" (25.4 cm)	10.4 lb (4.7 kg)
M-R1250-NJ	2.5" NH (64 mm)	AUTOMATIC	300-1250 gpm (1100-4500 l/min)	70-120 psi (4.8-8.3 bar)	12.9" (32.8 cm)	13.6 lb (6.2 kg)



FIXED MONITOR FOAM ATTACHMENT

The full line of foam attachments can be found in the Foam Equipment section.

MODEL	FITS NOZZLE	LENGTH	WEIGHT
FJ-LX-M	Master Force, Master Stream 1000 & 1250S and Master Foam 250-750 gpm	25.30" (64.3 cm)	6.4 lb (2.9 kg)



INDUSTRIAL NOZZLE FOR FIXED MONITORS

The full line of Master Stream Nozzles can be found in the Master Stream Nozzles Manual section.

MODEL	INLET	FLOW	LENGTH	WEIGHT
ZN12A	2.5"-7.5 NH FEMALE	500 GPM @ 100 PSI — K-factor = 50 (2000 l/min @ 7 bar)	6.0" (15.2 cm)	4.5 lb (2.0 kg)
ZN13A	2.5"-7.5 NH FEMALE	750 GPM @ 100 PSI — K-factor = 75 (3000 l/min @ 7 bar)	6.0" (15.2 cm)	4.5 lb (2.0 kg)
ZN22A	2.5"-11 BSP FEMALE	500 GPM @ 100 PSI — K-factor = 50 (2000 l/min @ 7 bar)	6.0" (15.2 cm)	4.5 lb (2.0 kg)



FOAM ATTACHMENTS

The full line of foam attachments can be found in the Foam Equipment section.

MODEL	FITS NOZZLE	LENGTH	WEIGHT
FJ-MX-MD	ZN Series Industrial Nozzles	16.20" (41.1 cm)	4.6 lb (2.1 kg)

Continued on next page.

Frequently Purchased Protector Monitor Nozzles and Foam Attachments continued



INDUSTRIAL NOZZLE FOR FIXED MONITORS

The full line of Master Stream Nozzles can be found in the Master Stream Nozzles Manual section.

MODEL	THREAD (RIGID)	FLOW	LENGTH	WEIGHT
ZM141	2.5"-7.5 NH FEMALE	1250 gpm @ 100 psi (4700 l/min @ 7 bar)	7.70" (19.56 cm)	7.10 lb (3.22 kg)



SELF DUCTING FOAM NOZZLE FOR FIXED MONITORS

The full line of Self Educating Foam Nozzles can be found in the Foam Equipment section.

MODEL	THREADS	FLOW	LENGTH	WEIGHT
ZMF10A	2.5"-7.5 NH (64 mm) Female	250 gpm @ 100 psi (950 l/min @ 7 bar) K-factor = 25	10.50" (26.7 cm)	7.3 lb (3.3 kg)
ZMF11A	2.5"-7.5 NH (64 mm) NH Female	350 gpm @ 100 psi (1300 l/min @ 7 bar) K-factor = 35	10.50" (26.7 cm)	7.3 lb (3.3 kg)
ZMF12A	2.5"-7.5 NH (64 mm) Female	500 gpm @ 100 psi (2000 l/min @ 7 bar) K-factor = 50	10.50" (26.7 cm)	7.3 lb (3.3 kg)
ZMF13A	2.5"-7.5 NH (64 mm) Female	750 gpm @ 100 psi (3000 l/min @ 7 bar) K-factor = 75	10.50" (26.7 cm)	7.3 lb (3.3 kg)



FIXED MONITOR FOAM ATTACHMENT

The full line of foam attachments can be found in the Foam Equipment section.

MODEL	FITS NOZZLE	LENGTH	WEIGHT
FJ-LX-M	Master Force, Master Stream 1000 & 1250S and Master Foam 250-750 gpm	25.30" (64.3 cm)	6.4 lb (2.9 kg)

HURRICANE™ MANUAL
 1250 gpm (4750 l/min) Fixed Station Monitor




The Task Force Tips' Hurricane is a durable, industrial, high-capacity fixed monitor. The Hurricane has high flow and low friction loss characteristics. The red powder coat finish (inside and out), and stainless steel elevation drive make the Hurricane one appliance that can stand up to tough service environments. The Hurricane is capable of flowing 1250 gpm (4750 l/min) while maintaining a FULL 360° rotational ability. The lever-action rotational lock is activated in one motion, visually confirmed,

and securely holds the Hurricane in position. A built-in automatic drain protects the monitor from freezing. The placement of grease zerks allows the Hurricane monitor to be quickly and easily serviced and lubricated, and a threaded port 0.25" NPT (6 mm) is provided for a pressure gauge. The Hurricane is made from hard anodized ANSI A356-T6 aluminum. The Hurricane industrial monitor comes with our exclusive 5-year warranty.




■ XFI-FLNJ
19.60 lb (8.90 kg)

- 3" ANSI 150/DN80 PN16 flange inlet
- 2.5" NH outlet




■ XFI-FPNJ
22.20 lb (10.10 kg)

- 4" ANSI 150/DN100 PN16 flange inlet
- 2.5" NH outlet
- Galvanic isolation sleeve included (only fits 4" ANSI 150 bolt pattern)




■ XFI-PLNJ
18.20 lb (8.30 kg)

- 3" female NPT inlet
- 2.5" NH outlet




■ XFIE-FLNJ
3" Flange Extended
21.00 lb (9.50 kg)

- 3" ANSI 150/DN80 PN16 flange inlet
- 4 bolts
- 2.5" NH outlet



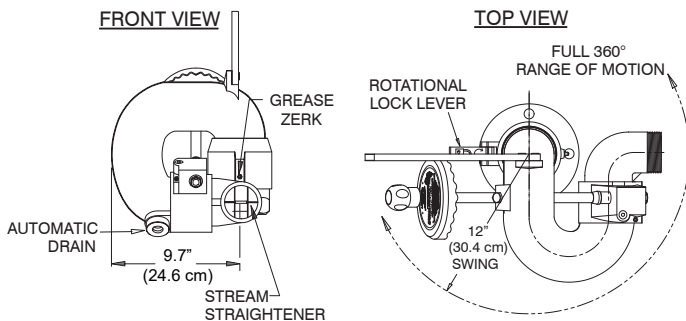
■ XFIF-PLNJ
18.20 lb (8.30 kg)

- 3" female NPT inlet
- 2.5" NH outlet
- No tiller



■ XFIE-FPNJ
4" Flange Extended
22.60 lb (10.30 kg)

- 4" ANSI 150/DN100 PN16 flange inlet
- 2.5" NH outlet
- Galvanic isolation sleeve included (only fits 4" ANSI 150 bolt pattern)



Conversions
 2.5" (64 mm)
 3.0" (76 mm)
 4.0" (102 mm)

Frequently Purchased HURRICANE Manual Monitor Nozzles found on next page.

Frequently Purchased Hurricane Manual Monitor Nozzles and Foam Attachments



SMOOTHBORE STACKED TIP FOR FIXED MONITORS

The full line of Smoothbore Stacked Tips can be found in the Master Stream Nozzles Manual section.

MODEL	INLET	ORIFICE OPENINGS	LENGTH	WEIGHT
MST-4NJ	2.5" NH (64 mm)	2", 1.75", 1.5", and 1.375" (51 mm, 44 mm, 38 mm and 35 mm)	16.90" (42.9 cm)	3.10 lb (1.40 kg)



STREAM STRAIGHTENERS FOR FIXED MONITORS

The full line of Stream Straighteners can be found in the Master Stream Nozzles Manual section.

MODEL	RIGID FEMALE INLET	RIGID MALE OUTLET	LENGTH	WEIGHT
XF-SS5	2.5" NH (64 mm)	2.5" NH (64 mm)	5" (127 mm)	1.80 lb (0.80 kg)
XF-SS10	2.5" NH (64 mm)	2.5" NH (64 mm)	10" (254 mm)	3.50 lb (1.90 kg)



VORTEX 2 MANUAL FOR FIXED MONITORS

The full line of Vortex can be found in the Master Stream Nozzles Manual section.

MODEL	INLET	OUTLET	OPERATING SYSTEM	MAXIMUM PRESSURE	FLOW	LENGTH	WEIGHT
SVJ-NJNJ	2.5" NH (64 mm)	2.5" NH (64 mm)	MANUAL	300 psi (21 bar)	Up to 1250 gpm (up to 4500 l/min)	8.4" (21.3 cm)	5.5 lb (2.5 kg)



MASTER FORCE NOZZLE FOR FIXED MONITORS

The full line of Master Stream Nozzles can be found in the Master Stream Nozzles Manual section.

MODEL	INLET	FLOW	OPERATING PRESSURE	LENGTH	WEIGHT
MC12A	2.5" NH (64 mm)	300-800 gpm (1100-3000 l/min)	100/55 psi (7/4 bar)	10.4" (26.4 cm)	9.5 lb (4.3 kg)



MASTER STREAM NOZZLE FOR FIXED MONITORS

The full line of Master Stream Nozzles can be found in the Master Stream Nozzles Manual section.

MODEL	INLET	OPERATING SYSTEM	FLOW	OPERATING PRESSURE	LENGTH	WEIGHT
M-R1000-NJ	2.5" NH (64 mm)	AUTOMATIC	150-1000 gpm (600-3800 l/min)	100 psi (7 bar)	10.0" (25.4 cm)	9.1 lb (4.1 kg)
M-RS1000-NJ	2.5" NH (64 mm)	SELECTABLE	250, 350, 500, 750, and 1000 gpm (950, 1300, 2000, 3000 and 4000 l/min)	100 psi (7 bar)	10.0" (25.4 cm)	9.1 lb (4.1 kg)
M-RF1000-NJ	2.5" NH (64 mm)	FIXED	Factory preset at the customer's specified K-factor 50 to 105 maximum. Must specify flow and pressure at time of order.		10.0" (25.4 cm)	8.3 lb (3.8 kg)



MASTER STREAM NOZZLE FOR FIXED MONITORS

The full line of Master Stream Nozzles can be found in the Master Stream Nozzles Manual section.

MODEL	INLET	OPERATING SYSTEM	FLOW	OPERATING PRESSURE	LENGTH	WEIGHT
M-R1250S-NJ	2.5" NH (64 mm)	AUTOMATIC	150-1250 gpm (570-4700 l/min)	100 psi (7 bar)	10.0" (25.4 cm)	10.4 lb (4.7 kg)
M-R1250-NJ	2.5" NH (64 mm)	AUTOMATIC	300-1250 gpm (1100-4500 l/min)	70-120 psi (4.8-8.3 bar)	12.9" (32.8 cm)	13.6 lb (6.2 kg)

Continued on next page.

Frequently Purchased Hurricane Manual Monitor Nozzles and Foam Attachments continued



FIXED AND RC MONITOR FOAM ATTACHMENT

The full line of foam attachments can be found in the Foam Equipment section.

MODEL	FITS NOZZLE	LENGTH	WEIGHT
FJ-LX-M	Master Force, Master Stream 1000 & 1250S and Master Foam 250-750 gpm	25.30" (64.3 cm)	6.4 lb (2.9 kg)



MAX SERIES NOZZLES FOR FIXED MONITORS

The full line of Master Stream Nozzles can be found in the Master Stream Nozzles Manual section.

MODEL	TYPE	INLET	COUPLING	FLOW	LENGTH	WEIGHT
MD12A	Max-Force Dual Pressure	2.5" NH (64 mm)	Rigid Rocker Lug	100-500 gpm (400-2000 l/min) 100 psi (7 bar) / 55 psi (4 bar)	9.00" (22.9 cm)	6.7 lb (3.0 kg)
MD18A	Max-Matic Automatic	2.5" NH (64 mm)	Rigid Rocker Lug	100-500 gpm (400-2000 l/min) 100 psi (7 bar)	9.00" (22.9 cm)	6.5 lb (2.9 kg)
MD17A	Max-Matic Automatic	2.5" NH (64 mm)	Rigid Rocker Lug	100-500 gpm (400-2000 l/min) 80 psi (6 bar)	9.00" (22.9 cm)	6.5 lb (2.9 kg)
MD14A	Max-Flow Fixed Gallonage	2.5" NH (64 mm)	Rigid Rocker Lug	500 gpm (2000 l/min) 100 psi (7 bar)	9.00" (22.9 cm)	6.5 lb (2.9 kg)



INDUSTRIAL NOZZLE FOR FIXED MONITORS

The full line of Master Stream Nozzles can be found in the Master Stream Nozzles Manual section.

MODEL	INLET	FLOW	LENGTH	WEIGHT
ZN11A	2.5"-7.5 NH FEMALE	350 GPM @ 100 PSI — K-factor = 35 (1300 l/min @ 7 bar)	6.0" (15.2 cm)	4.5 lb (2.0 kg)
ZN12A	2.5"-7.5 NH FEMALE	500 GPM @ 100 PSI — K-factor = 50 (2000 l/min @ 7 bar)	6.0" (15.2 cm)	4.5 lb (2.0 kg)
ZN13A	2.5"-7.5 NH FEMALE	750 GPM @ 100 PSI — K-factor = 75 (3000 l/min @ 7 bar)	6.0" (15.2 cm)	4.5 lb (2.0 kg)



FOAM ATTACHMENTS

The full line of foam attachments can be found in the Foam Equipment section.

MODEL	FITS NOZZLE	LENGTH	WEIGHT
FJ-MX-MD	Max-Series and ZN Series Industrial Nozzles	16.20" (41.1 cm)	4.6 lb (2.1 kg)



INDUSTRIAL NOZZLE FOR FIXED MONITORS

The full line of Master Stream Nozzles can be found in the Master Stream Nozzles Manual section.

MODEL	THREAD (RIGID)	FLOW	LENGTH	WEIGHT
ZM141	2.5"-7.5 NH FEMALE	1250 gpm @ 100 psi (4700 l/min @ 7 bar)	7.70" (19.56 cm)	7.10 lb (3.22 kg)

Frequently Purchased Hurricane Manual Monitor Nozzles and Foam Attachments continued



SELF EDUCATING FOAM NOZZLE FOR FIXED MONITORS

The full line of Self Educating Foam Nozzles can be found in the Foam Equipment section.

MODEL	THREADS	FLOW	LENGTH	WEIGHT
ZMF10A	2.5"-7.5 NH (64 mm) Female	250 gpm @ 100 psi (950 l/min @ 7 bar) K-factor = 25	10.50" (26.7 cm)	7.3 lb (3.3 kg)
ZMF11A	2.5"-7.5 NH (64 mm) NH Female	350 gpm @ 100 psi (1300 l/min @ 7 bar) K-factor = 35	10.50" (26.7 cm)	7.3 lb (3.3 kg)
ZMF12A	2.5"-7.5 NH (64 mm) Female	500 gpm @ 100 psi (2000 l/min @ 7 bar) K-factor = 50	10.50" (26.7 cm)	7.3 lb (3.3 kg)
ZMF13A	2.5"-7.5 NH (64 mm) Female	750 gpm @ 100 psi (3000 l/min @ 7 bar) K-factor = 75	10.50" (26.7 cm)	7.3 lb (3.3 kg)



FIXED AND RC MONITOR FOAM ATTACHMENT

The full line of foam attachments can be found in the Foam Equipment section.

MODEL	FITS NOZZLE	LENGTH	WEIGHT
FJ-LX-M	Master Force, Master Stream 1000 & 1250S and Master Foam 250-750 gpm	25.30" (64.3 cm)	6.4 lb (2.9 kg)

HURRICANE™ Packages

HURRICANE Combination Packages combine the most often purchased components into a simple-to-order package. Contact TFT customer service for assistance.



*Product examples shown.
See chart for specific product
package combinations.*



HURRICANE PACKAGE MODEL	EXTEND-A-GUN	HURRICANE MONITOR	NOZZLE 1	ACCESSORY 1
	EXTEND-A-GUN BRACKET		NOZZLE 2	ACCESSORY 2
XIC-V831-L	XG18VL-PL EXTEND-A-GUN 18"- VIC X NPT	XFI-PLNJ HURRICANE MONITOR ALUMINUM	M-R1000-NJ MASTER STREAM 1000 W/HALO AUTO 2.5" NH	XF-SS10 STREAM STRAIGHTENER 10" 2.5" NH THREADS
	XGB-33 BRACKET SET 3" SADDLE/SADDLE		MST-4NJ 4 STACKED TIPS 2.5" NHF	
XIC-V831-S	XG18VL-PL EXTEND-A-GUN 18"- VIC X NPT	XFI-PLNJ HURRICANE MONITOR ALUMINUM	M-R1000-NJ MASTER STREAM 1000 W/HALO AUTO 2.5" NH	XF-SS5 STREAM STRAIGHTENER 5" 2.5" NH THREADS
	XGB-33 BRACKET SET 3" SADDLE/SADDLE		MST-4NJ 4 STACKED TIPS 2.5" NHF	
XIC-V832-L	XG18VL-PL EXTEND-A-GUN 18"- VIC X NPT	XFI-PLNJ HURRICANE MONITOR ALUMINUM	M-R1250S-NJ MASTER STREAM 1250S W/HALO AUTO 2.5" NH	XF-SS10 STREAM STRAIGHTENER 10" 2.5" NH THREADS
	XGB-33 BRACKET SET 3" SADDLE/SADDLE		MST-4NJ 4 STACKED TIPS 2.5" NHF	
XIC-V832-S	XG18VL-PL EXTEND-A-GUN 18"- VIC X NPT	XFI-PLNJ HURRICANE MONITOR ALUMINUM	M-R1250S-NJ MASTER STREAM 1250S W/HALO AUTO 2.5" NH	XF-SS5 STREAM STRAIGHTENER 5" 2.5" NH THREADS
	XGB-33 BRACKET SET 3" SADDLE/SADDLE		MST-4NJ 4 STACKED TIPS 2.5" NHF	



HURRICANE™ RC

1250 gpm (4750 l/min) Remote Controlled Monitor

The Hurricane RC is an electric remote controlled monitor, with a single low-profile waterway discharge. The Hurricane RC has high flow and low friction loss characteristics. Capable of flowing 1250 gpm (4750 l/min) while maintaining a FULL 450° rotational travel (225° either side of center). Maximum operating pressure is 200 psi (14 bar). Field changeable horizontal rotation stops at 45°, 90° and 135° either side of center position. Elevation range is 90° above horizontal to 45° below. Designed for 12 VDC or 24 VDC volt operation, selection is automatic. The Hurricane RC comes with a control panel mounted on the monitor for horizontal rotation, elevation, nozzle pattern, programmable PARK and Oscillate. The motor control circuits are factory installed on the monitor and use position encoders and current limiting to protect the drive train at the ends of travel. Unit comes with 30 feet of ultra-flexing robotics power

cable already wired to the monitor, and is enclosed in a unique cable guide that allows FULL 450° of horizontal travel, which is far more reliable than slip rings or coil cords. Knobs for manual override are also provided. TFT's Master Stream ERP nozzles plug into the factory installed nozzle power wire. Electric drives and control box are waterproof. Standard outlet is 2.5" NH (64 mm) male thread. A built-in automatic drain protects the monitor from freezing. A threaded port (0.25" NPT) (6 mm) is provided for optional pressure gauge. The monitor is made from hardcoat anodized ANSI 356-T6 aluminum and silver powder coat finish inside and out. For wireless operation, purchase wireless operator station and radio/antenna found in the RC Monitor Controls and Accessories section of the catalog. Inlet also made for direct connection to TFT's electric Extend-A-Gun RC3, RC4, and Extend-A-Gun VP.



XFIH-E11A
 SAMPLE PART NUMBER
39.0 lb (17.7 kg)

- 3" ANSI (76 mm) 150 flange inlet
- 2.5" NH (64 mm) outlet
- See Remote Control Accessories Section for monitor control options.
- IP66/67 ingress protection on electronics

MODEL	INLET	OUTLET
XFIH-E11A	3" ANSI 150 / DN80 PN16 Flange	2.5"-7.5 NH Male
XFIH-E61A	3" NPT Female	2.5"-7.5 NH Male
XFIH-EL1A	TFT Code-RLF*	2.5"-7.5 NH Male
XFIH-E12A	3" ANSI 150 / DN80 PN16	2.5"-11 BSP Male
XFIH-EL2A	TFT Code-RLF*	2.5"-11 BSP Male
XFIH-E22A	4" ANSI 150 / DN100 PN16 Flange	2.5"-11 BSP Male
XFIH-EP2A	TFT CODE-RPF Extend-A-Gun RC4	2.5"-11 BSP Male
XFIH-E21A	4" ANSI 150 / DN100 PN16 Flange	2.5"-7.5 NH Male
XFIH-EP1A	TFT CODE-RPF Extend-A-Gun RC4	2.5"-7.5 NH Male

Conversions
 2.5" (64 mm)
 3.0" (76 mm)
 4.0" (102 mm)

* TFT CODE-RLF fits Extend-A-Gun RC3 and Extend-A-Gun VP with RLM outlet.

Frequently Purchased HURRICANE RC Monitor Nozzles and Accessories found on next page.

Frequently Purchased Hurricane RC Monitor Nozzles, Accessories, and Foam Attachments

SMOOTHBORE STACKED TIP FOR RC MONITORS

The full line of Smoothbore Stacked Tips can be found in the Master Stream Nozzles Manual section.



MODEL	INLET	ORIFICE OPENINGS	LENGTH	WEIGHT
MST-4NJ	2.5" NH (64 mm)	2", 1.75", 1.5", and 1.375" (51 mm, 44 mm, 38 mm and 35 mm)	16.90" (42.9 cm)	3.10 lb (1.40 kg)

STREAM STRAIGHTENERS FOR RC MONITORS

The full line of Stream Straighteners can be found in the Master Stream Nozzles Manual section.



MODEL	RIGID FEMALE INLET	RIGID MALE OUTLET	LENGTH	WEIGHT
XF-SS5	2.5" NH (64 mm)	2.5" NH (64 mm)	5" (127 mm)	1.80 lb (0.80 kg)
XF-SS10	2.5" NH (64 mm)	2.5" NH (64 mm)	10" (254 mm)	3.50 lb (1.90 kg)

VORTEX 2 ER FOR RC MONITORS

The full line of Vortex can be found in the Master Stream Nozzles RC section.



MODEL	INLET	OUTLET	OPERATING SYSTEM	MAXIMUM PRESSURE	FLOW	LENGTH	WEIGHT
SVJE-NJNJ	2.5" NH (64 mm)	2.5" NH (64 mm)	ELECTRIC REMOTE	300 psi (21 bar)	Up to 1250 gpm (up to 4500 l/min)	8.4" (21.3 cm)	7.9 lb (3.6 kg)

MASTER FORCE ERP NOZZLE FOR RC MONITORS

The full line of Master Stream Nozzles can be found in the Master Stream Nozzles RC section.



MODEL	INLET	FLOW	OPERATING PRESSURE	SMART STREAM TECHNOLOGY	LENGTH	WEIGHT
MC-ERP-12A	2.5" NH (64 mm)	300-800 gpm (1100-3000 l/min)	100/55 psi (7/4 bar)	YES	11.6" (29.5 cm)	14.2 lb (6.4 kg)
MC-ER-12A	2.5" NH (64mm)	300-800 gpm (1100-3000 l/min)	100/55 psi (7/4 bar)	NO	11.6" (29.5 cm)	14.2 lb (6.4 kg)

MASTER STREAM ERP NOZZLE FOR RC MONITORS

The full line of Master Stream Nozzles can be found in the Master Stream Nozzles RC section.



MODEL	INLET	FLOW	OPERATING PRESSURE	SMART STREAM TECHNOLOGY	LENGTH	WEIGHT
M-ERP1000-NJ	2.5" NH (64 mm)	150-1000 gpm (570-3800 l/min)	100 psi (7 bar)	YES	12.0" (30.5 cm)	13.7 lb (6.2 kg)
M-ERP1250SNJ	2.5" NH (64 mm)	150-1250 gpm (570-4700 l/min)	100 psi (7 bar)	YES	12.0" (30.5 cm)	13.7 lb (6.2 kg)
M-ERP1250-NJ	2.5" NH (64 mm)	300-1250 gpm (1100-4500 l/min)	70-120 psi (4.8-8.3 bar)	YES	13.0" (33.0 cm)	18.4 lb (8.3 kg)

RC MONITOR FOAM ATTACHMENT

The full line of foam attachments can be found in the Foam Equipment section.



MODEL	FITS NOZZLE	LENGTH	WEIGHT
FJ-LX-M	Master Force, Master Stream 1000 & 1250S	25.30" (64.3 cm)	6.4 lb (2.9 kg)

REMOTE CONTROL ACCESSORIES

The full line of Remote Control Accessories can be found in the Remote Control Accessories section.

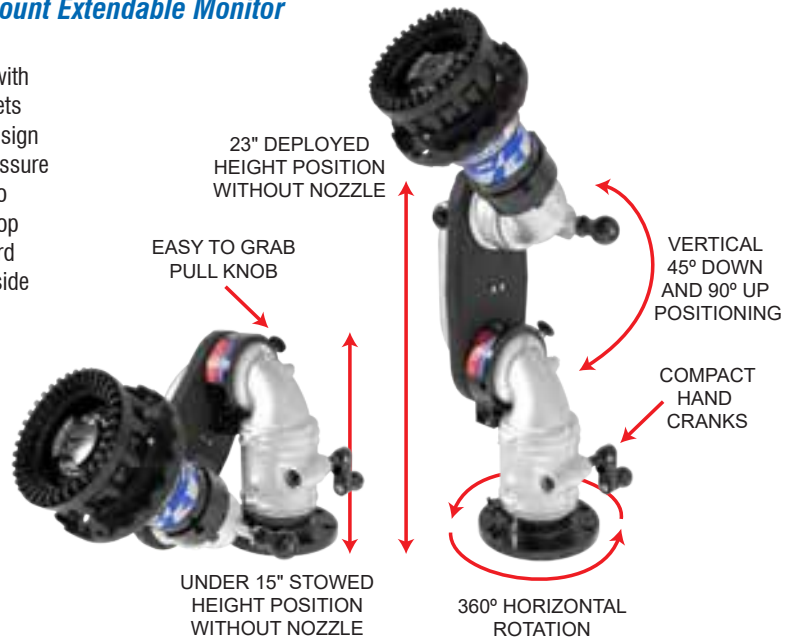


MODEL	DESCRIPTION
YE-RF-RAD-9	WIRELESS RADIO AND ANTENNA 900 MHZ
YE-RF-RAD-24	WIRELESS RADIO AND ANTENNA 2.4 GHZ

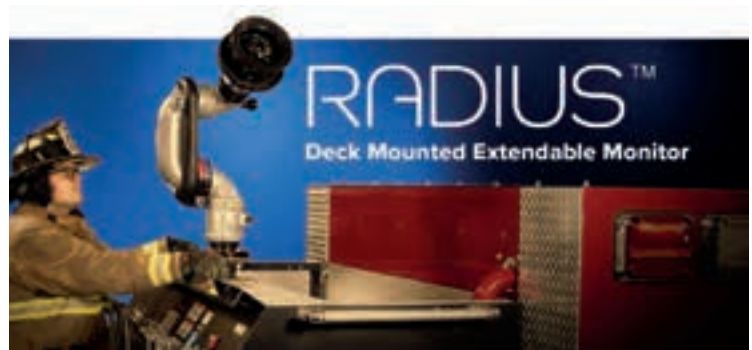
RADIUS™

1500 GPM (5700 l/min) Manually Controlled Deck Mount Extendable Monitor

The Radius monitor is a manually operated deck mounted monitor with raised and lowered nozzle operating positions. The raised position lets the stream clear nearby obstructions. The compact and efficient design allows flows up to 1500 gpm (5700 l/min). Maximum operating pressure is 200 psi (14 bar). Nozzle elevation range is 90° above horizontal to 45° below. Continuous horizontal rotation with a field changeable stop for 90° either side of a center position. The Radius is made from hard anodized ANSI A356-T6 aluminum with silver powder coat finish inside and out. The monitor's inlet flanges contain female pipe threads to facilitate mounting. A stowed sensor kit is included.



Above: RADIUS Y35-D11A with MASTER STREAM M-R-1500-NN



MODEL	INLET	OUTLET	VDC STOWED SENSOR RELAY KIT
Y35-D11A	4" ANSI 150* / 4" NPT Female	3.5" - 6 NH Male	Add "-24" to the end of the part number for 24 VDC stowed sensor relay kit. Otherwise 12 VDC sensor relay kit will be supplied.
Y35-D12A	4" ANSI 150* / 4" NPT Female	3.5" - BSP Male	
Y35-D14A	4" ANSI 150* / 4" NPT Female	2.5" - 7.5 NH Male	
Y35-D15A	4" ANSI 150* / 4" NPT Female	2.5" - 11 BSP Male	
Y35-D21A	3" ANSI 150** / 3" NPT Female	3.5" - 6 NH Male	
Y35-D22A	3" ANSI 150** / 3" NPT Female	3.5" - BSP Male	
Y35-D24A	3" ANSI 150** / 3" NPT Female	2.5" - 7.5 NH Male	
Y35-D25A	3" ANSI 150** / 3" NPT Female	2.5" - 11 BSP Male	

Conversions
2.5" (64 mm)
3.0" (76 mm)
4.0" (102 mm)

* Also fits DN100 PN16 Flange ** Also fits DN80 PN16 Flange

Frequently Purchased RADIUS Monitor Nozzles and Foam Attachments found on next page.

Frequently Purchased **RADIUS Monitor Nozzles and Foam Attachments 2.5" (64 mm) Outlet Series**



SMOOTHBORE STACKED TIP FOR FIXED MONITORS

The full line of Smoothbore Stacked Tips can be found in the Master Stream Nozzles Manual section..

MODEL	INLET	ORIFICE OPENINGS	LENGTH	WEIGHT
MST-4NJ	2.5" NH (64 mm)	2", 1.75", 1.5", and 1.375" (51 mm, 44 mm, 38 mm and 35 mm)	16.90" (42.9 cm)	3.10 lb (1.40 kg)



STREAM STRAIGHTENERS FOR FIXED MONITORS

The full line of Stream Straighteners can be found in the Master Stream Nozzles Manual section..

MODEL	RIGID FEMALE INLET	RIGID MALE OUTLET	LENGTH	WEIGHT
XF-SS5	2.5" NH (64 mm)	2.5" NH (64 mm)	5" (127 mm)	1.80 lb (0.80 kg)
XF-SS10	2.5" NH (64 mm)	2.5" NH (64 mm)	10" (254 mm)	3.50 lb (1.90 kg)



VORTEX 2 MANUAL FOR FIXED MONITORS

The full line of Vortex can be found in the Master Stream Nozzles Manual section.

MODEL	INLET	OUTLET	OPERATING SYSTEM	MAXIMUM PRESSURE	FLOW	LENGTH	WEIGHT
SVJ-NJNJ	2.5" NH (64 mm)	2.5" NH (64 mm)	MANUAL	300 psi (21 bar)	Up to 1250 gpm (up to 4500 l/min)	8.4" (21.3 cm)	5.5 lb (2.5 kg)



MASTER FORCE NOZZLE FOR FIXED MONITORS

The full line of Master Stream Nozzles can be found in the Master Stream Nozzles Manual section.

MODEL	INLET	FLOW	OPERATING PRESSURE	LENGTH	WEIGHT
MC12A	2.5" NH (64 mm)	300-800 gpm (1100-3000 l/min)	100/55 psi (7/4 bar)	10.4" (26.4 cm)	9.5 lb (4.3 kg)



MASTER STREAM NOZZLE FOR FIXED MONITORS

The full line of Master Stream Nozzles can be found in the Master Stream Nozzles Manual section.

MODEL	INLET	OPERATING SYSTEM	FLOW	OPERATING PRESSURE	LENGTH	WEIGHT
M-R1000-NJ	2.5" NH (64 mm)	AUTOMATIC	150-1000 gpm (600-3800 l/min)	100 psi (7 bar)	10.0" (25.4 cm)	9.1 lb (4.1 kg)
M-RS1000-NJ	2.5" NH (64 mm)	SELECTABLE	250, 350, 500, 750, and 1000 gpm (950, 1300, 2000, 3000 and 4000 l/min)	100 psi (7 bar)	10.0" (25.4 cm)	9.1 lb (4.1 kg)
M-RF1000-NJ	2.5" NH (64 mm)	FIXED	Factory preset at the customer's specified K-factor 50 to 105 maximum. Must specify flow and pressure at time of order.		10.0" (25.4 cm)	8.3 lb (3.8 kg)
M-R1250S-NJ	2.5" NH (64 mm)	AUTOMATIC	150-1250 gpm (570-4700 l/min)	100 psi (7 bar)	10.0" (25.4 cm)	10.4 lb (4.7 kg)



FIXED MONITOR FOAM ATTACHMENT

The full line of foam attachments can be found in the Foam Equipment section.

MODEL	FITS NOZZLE	LENGTH	WEIGHT
FJ-LX-M	Master Force, Master Stream 1000 & 1250S	25.30" (64.3 cm)	6.4 lb (2.9 kg)

Continued on next page.

Frequently Purchased RADIUS Monitor Nozzles and Foam Attachments 2.5" (64 mm) Outlet Series cont.



MASTER STREAM NOZZLE FOR FIXED MONITORS

The full line of Master Stream Nozzles can be found in the Master Stream Nozzles Manual section.

MODEL	INLET	OPERATING SYSTEM	FLOW	OPERATING PRESSURE	LENGTH	WEIGHT
M-R1250-NJ	2.5" NH (64 mm)	AUTOMATIC	300-1250 gpm (1100-4500 l/min)	70-120 psi (4.8-8.3 bar)	12.9" (32.8 cm)	13.6 lb (6.2 kg)



FIXED MONITOR FOAM ATTACHMENT

The full line of foam attachments can be found in the Foam Equipment section.

MODEL	FITS NOZZLE	LENGTH	WEIGHT
FJ-LX-M3	Master Stream 1250 Large Body and 1500	29.90" (76.0 cm)	10.9 lb (4.94 kg)

Frequently Purchased RADIUS Monitor Nozzles and Foam Attachments 3.5" (64 mm) Outlet Series



SMOOTHBORE TIPS FOR FIXED MONITORS

The full line of Smoothbore Tips can be found in the Master Stream Nozzles Manual section.

MODEL	INLET FEMALE	ORIFICE	LENGTH	WEIGHT
YST-4NN	3.5" NH (89 mm)	2.75", 2.5", 2.25", and 2.0" (70 mm, 64 mm, 57 mm and 51 mm)	22.0" (55.9 cm)	10.7 lb (4.9 kg)
YST-3NN	3.5" NH (89 mm)	2.5", 2.25", and 2.0" (64 mm, 57 mm and 51 mm)	12.70" (32.3 cm)	4.9 lb (2.2 kg)
YST-1NN	3.5" NH (89 mm)	2.5" (64 mm) Replaces Stream Straightener section on YST-4NN for use with Vortex 3.	6.1" (15.5 cm)	2.7 lb (1.2 kg)



VORTEX 3 MANUAL FOR FIXED MONITORS

The full line of Vortex can be found in the Master Stream Nozzles Manual section.

MODEL	INLET	OUTLET	OPERATING SYSTEM	MAXIMUM PRESSURE	FLOW	LENGTH	WEIGHT
SVN-NNNN	3.5" NH (89 mm)	3.5" NH (89 mm)	MANUAL	300 psi (21 bar)	Up to 2500 gpm (up to 9500 l/min)	9.0" (22.9 cm)	11.5 lb (5.2 kg)



MASTER STREAM NOZZLE FOR FIXED MONITORS

The full line of Master Stream Nozzles can be found in the Master Stream Nozzles Manual section.

MODEL	INLET	OPERATING SYSTEM	FLOW	OPERATING PRESSURE	LENGTH	WEIGHT
M-R1250-NN	3.5" NH (89 mm)	AUTOMATIC	300-1250 gpm (1100-4500 l/min)	70-120 psi (4.8-8.3 bar)	12.0" (30.5 cm)	14.3 lb (6.5 kg)
M-R1500-NN	3.5" NH (89 mm)	AUTOMATIC	300 - 1500 gpm (1100 - 6000 l/min)	70 - 120 psi (4.8 - 8.3 bar)	12.0" (32.0 cm)	14.4 lb (6.5 kg)



FIXED MONITOR FOAM ATTACHMENT

The full line of foam attachments can be found in the Foam Equipment section.

MODEL	FITS NOZZLE	LENGTH	WEIGHT
FJ-LX-M3	Master Stream 1250 Large Body and 1500	29.90" (76.0 cm)	10.9 lb (4.94 kg)

TYPHOON™ RC

Remote Controlled Monitor 1500 gpm (6000 l/min) Designed for Pumper Applications



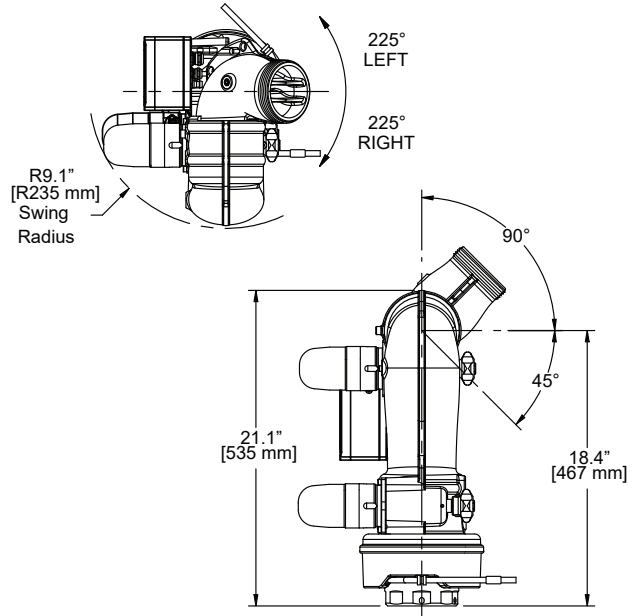
The Typhoon RC is an electrically operated monitor for flows up to 1500 gpm (6000 l/min). Maximum operating pressure is 200 psi (14 bar). Waterway with turning vane has only 19 psi (1.3 bar) loss at 1500 gpm (6000 l/min). Designed for 12 VDC or 24 VDC operation, selection is automatic. The Typhoon RC comes with a factory installed control panel mounted to the monitor for controlling horizontal rotation, elevation, nozzle pattern, and programmable PARK and Oscillate. The motor controls use position encoders and current limiting to protect the drive train at ends of travel. Knobs are installed so the monitor may be manually operated in

the event of a power failure. Field changeable stops for horizontal travel at 45, 90, and 135° either side of a center position. Horizontal travel without stops is 225° left and right (450° total). Available with various inlet flanges and threaded fittings. Inlet also made for direct connection to TFT's electric Extend-A-Gun RC3, RC4, and Extend-A-Gun VP. Main waterway made from hardcoat anodized ANSI 356-T6 aluminum. Silver powder coat finish inside and out. Standard outlet is 3.5" NH (89 mm) male thread. For wireless operation, purchase wireless operator station and radio/antenna found in the RC Monitor Controls and Accessories section of the catalog.



Y5-EP1A
SAMPLE PART NUMBER
37.2 lbs (16.9 kg)

- Large, flow efficient waterway
- IP66/67 ingress protection on electronics



Shown Without Inlet Fitting

MODEL	ACTUATION	INLET	OUTLET
Y5-E11A	Electric	3" ANSI 150 / DN80 PN16 Flange	3.5"- 6 NH Male
Y5-EL1A	Electric	TFT CODE-RLF*	3.5"- 6 NH Male
Y5-E21A	Electric	4" ANSI 150 / DN100 PN16 Flange	3.5"- 6 NH Male
Y5-EP1A	Electric	TFT CODE-RPF Extend-A-Gun RC4	3.5"- 6 NH Male

- Conversions**
 3.0" (76 mm)
 3.5" (89 mm)
 4.0" (102 mm)

* TFT CODE-RLF fits Extend-A-Gun RC3 and Extend-A-Gun VP

TYPHOON™ RC

Remote Controlled Monitor - 1500 gpm (6000 l/min) Designed for Ladder Applications



The Typhoon RC for Ladder installations is similar to the standard Typhoon RC. This model has the horizontal travel limited to 90° left and right (180° total). Various models are available with different elevation ranges –see the figure and table below for details. Ladder models include an electronics enclosure and 10' of cable to connect signals from the primary control station (such as the turntable toggle switches). These signals can either be hard wired or from a Canbus output module. The primary control signals will always override any signals from the secondary control or the monitor operator station. The electronics enclosure is factory configured to accept +12/24 VDC signals, but can be reconfigured in the field to accept ground signals. This electronics

enclosure also includes a relay to indicate when the monitor is in the PARK position and contacts that can be connected to the Canbus or multiplex system. A monitor mounted control panel allows vertical, horizontal, and nozzle pattern adjustments and programmable PARK and Oscillate. For wireless operation, purchase wireless operator station and radio/antenna found in the RC Monitor Controls and Accessories section of the catalog. Contact TFT customer service for assistance.

Ladder electronics enclosures includes inputs for DEPLOY monitor, INHIBIT monitor, and LIMIT VERTICAL movement on -L## models with extra travel.

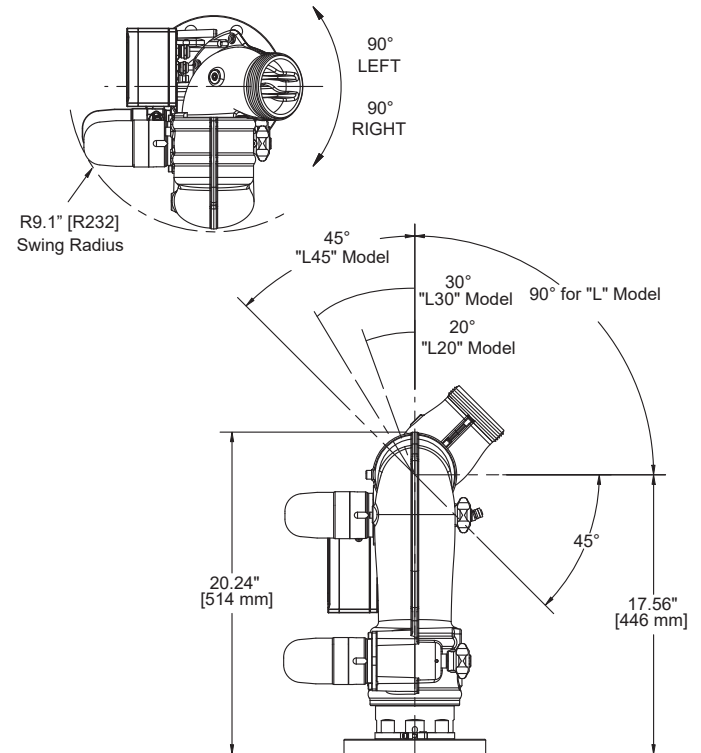


Y5-E21A-L
SAMPLE PART NUMBER
37.20 lbs (16.90 kg)

- Large, flow efficient waterway
- Additional upward travel options
- IP66/67 ingress protection on electronics



- Includes Multi-point Aerial Interface



MODEL	INLET	OUTLET	CONFIGURATION
Y5-E21A-L	4" ANSI 150 / DN100 PN16 Flange	3.5" - 6 NH Male	Ladder
Y5-EP1A-L	TFT CODE-RPF **	3.5" - 6 NH Male	Ladder
Y5-EB1A-L302	1.5" Offset with 4" ANSI 150 / DN100 PN16* +	3.5" - 6 NH Male	Ladder w/30° Extra Elevation
Y5-EB1A-L	1.5" Offset with 4" ANSI 150 / DN100 PN16 Flange +	3.5" - 6 NH Male	Ladder
Y5-EA1A-L	1.5" Offset for VUM+	3.5" - 6 NH Male	Ladder

Conversions
3.5" (89 mm)
4.0" (102 mm)

* Does not include anti-back drive gear box

+ Inlet Options A & B increase operating clearance by offsetting the monitor inlet forward by 1.5" (38 mm).

Frequently Purchased TYPHOON RC Monitor Nozzles and Accessories found on next page.

Frequently Purchased TYPHOON Monitor Nozzles, Accessories, and Foam Attachments



SMOOTHBORE TIPS FOR FIXED MONITORS

The full line of Smoothbore Tips can be found in the Master Stream Nozzles Manual section.

MODEL	INLET FEMALE	ORIFICE	LENGTH	WEIGHT
YST-4NN	3.5" NH (89 mm)	2.75", 2.5", 2.25", and 2.0" (70 mm, 64 mm, 57 mm and 51 mm)	22.0" (55.9 cm)	10.7 lb (4.9 kg)
YST-3NN	3.5" NH (89 mm)	2.5", 2.25", and 2.0" (64 mm, 57 mm and 51 mm)	12.70" (32.3 cm)	4.9 lb (2.2 kg)
YST-1NN	3.5" NH (89 mm)	2.5" (64 mm) Replaces Stream Straightener section on YST-4NN for use with Vortex 3.	6.1" (15.5 cm)	2.7 lb (1.2 kg)



VORTEX 3 ER FOR RC MONITORS

The full line of Vortex can be found in the Master Stream Nozzles RC section.

MODEL	INLET	OUTLET	OPERATING SYSTEM	MAXIMUM PRESSURE	FLOW	LENGTH	WEIGHT
SVNE-NNNN	3.5" NH (89 mm)	3.5" NH (89 mm)	ELECTRIC REMOTE	300 psi (21 bar)	Up to 2500 gpm (up to 9500 l/min)	9.0" (22.9 cm)	13.9 lb (6.3 kg)



MASTER STREAM RC NOZZLE

The full line of foam attachments can be found in the Master Stream Nozzles RC section.

MODEL	INLET	FLOW	OPERATING PRESSURE	SMART STREAM TECHNOLOGY	LENGTH	WEIGHT
M-ERP1250-NN	3.5" NH (89 mm)	300-1250 gpm (1100-4500 l/min)	70-120 psi (4.8-8.3 bar)	YES	12.0" (30.5 cm)	17.3 lb (7.8 kg)



MASTER STREAM RC NOZZLE

The full line of foam attachments can be found in the Master Stream Nozzles RC section.

MODEL	INLET	FLOW	OPERATING PRESSURE	SMART STREAM TECHNOLOGY	LENGTH	WEIGHT
M-ERP1500-NN	3.5" NH (89 mm)	300-1500 gpm (1100-6000 l/min)	70-120 psi (4.8-8.3 bar)	YES	12.0" (32.0 cm)	17.3 lb (7.8 kg)



RC MONITOR FOAM ATTACHMENT

The full line of foam attachments can be found in the Foam Equipment section.

MODEL	FITS NOZZLE	LENGTH	WEIGHT
FJ-LX-M3	Master Stream 1250 Large Body and 1500	29.90" (76.0 cm)	10.9 lb (4.94 kg)



POWER CONDITIONER FOR RC MONITORS

The full line of Controllers and Accessories can be found in the RC Monitor Controllers and Accessories section.

MODEL	DESCRIPTION	LENGTH	WEIGHT
YE-PWR-COND	Power Conditioner that Easily connects in-line to maintain clean power to monitor or VUM.	8" L x 3.5" W x 2.5" H (20.3 x 8.9 x 6.4)	1.86 lbs. (844 gr)



REMOTE CONTROL ACCESSORIES

The full line of Remote Control Accessories can be found in the Remote Control Accessories section.

MODEL	DESCRIPTION
YE-RF-RAD-9	WIRELESS RADIO AND ANTENNA 900 MHZ
YE-RF-RAD-24	WIRELESS RADIO AND ANTENNA 2.4 GHZ



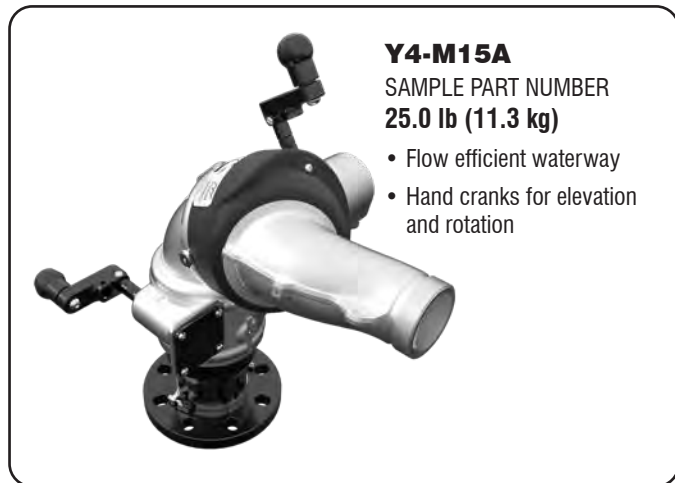
MONSOON® 1250

Manually Controlled Monitor - 1250 gpm (4750 l/min)

The Monsoon is a manually operated monitor designed for flows up to 1250 gpm (4750 l/min). Maximum operating pressure is 200 psi (14 bar). Unique patented segmented waterway has only 6 psi (0.4 bar) friction loss at 1250 gpm (4750 l/min). Water makes very few turns as it travels through the monitor resulting in low friction loss and a far-reaching effective stream. Elevation range is 90° above horizontal to 45° below. Field changeable elevation travel stops at 45° above, 30° above, and 30° below horizontal. The manual model has continuous horizontal rotation with field changeable stops at 45, 90 and 135° either side of a

center position. Available with various inlet flanges and threaded fittings. Inlet also made for direct connection to TFT's Extend-A-Gun series and Valve Under Monitor series. See chart below for model numbers. Main waterway made from hardcoat anodized aluminum.

Silver powder coat finish inside and out is standard, except when "- Z" is added to the end of the model number. Models ending in "- Z" have American Red powder coat finish. Standard outlet is 2.5" NH (64 mm) male thread.



MODEL	ACTUATION	INLET	OUTLET
Y4-M15A	Manual	3" ANSI 150 DN80 PN16 Flange	2.5" NHM
Y4-M65A	Manual	3" NPT Female	2.5" NHM
Y4-ML5A	Manual	TFT CODE-RLF*	2.5" NHM
INDUSTRIAL MODELS	ACTUATION	INLET	OUTLET
Y4-M25A-Z	Manual	4" ANSI 150 DN100 PN16 Flange	2.5" NHM
Y4-MP5A-Z	Manual	TFT CODE-RPF**	2.5" NHM
Y4-T15A-Z	Tiller	3" ANSI 150 DN80 PN16 Flange	2.5" NHM
Y4-T65A-Z	Tiller	3" NPT Female	2.5" NHM
Y4-T25A-Z	Tiller	4" ANSI 150 DN100 PN16 Flange	2.5" NHM
Y4-TP5A-Z	Tiller	TFT CODE-RPF**	2.5" NHM

Conversions

3.0" (76 mm)
4.0" (102 mm)

* TFT CODE-RLF fits Extend-A-Gun RC3 and Extend-A-Gun VP with RLM outlet.

** TFT CODE-RPF fits Extend-A-Gun RC4 and VUM with RPM outlet.

-Z Designates red powder coat inside and out.

Frequently Purchased MONSOON 2.5" Outlet Monitor Nozzles and Foam Attachments found at the end of this section.

Frequently Purchased **MONSOON Manual 2.5" Outlet Monitor Nozzles and Foam Attachments**



SMOOTHBORE STACKED TIP FOR FIXED MONITORS

The full line of Smoothbore Stacked Tips can be found in the Master Stream Nozzles Manual section.

MODEL	INLET	ORIFICE OPENINGS	LENGTH	WEIGHT
MST-4NJ	2.5" NH (64 mm)	2", 1.75", 1.5", and 1.375" (51 mm, 44 mm, 38 mm and 35 mm)	16.90" (42.9 cm)	3.10 lb (1.40 kg)



STREAM STRAIGHTENER FOR FIXED MONITORS

The full line of Stream Straighteners can be found in the Master Stream Nozzles Manual section.

MODEL	LENGTH	INLET / OUTLET
XF-SS5	5" (127 mm)	2.5" NH (64 mm)
XF-SS10	10" (254 mm)	2.5" NH (64 mm)



VORTEX 2 FOR FIXED MONITORS

The full line of Vortex can be found in the Master Stream Nozzles Manual section.

MODEL	INLET	OUTLET	OPERATING SYSTEM	MAXIMUM PRESSURE	FLOW	LENGTH	WEIGHT
SVJ-NJNJ	2.5" NH (64 mm)	2.5" NH (64 mm)	MANUAL	300 psi (21 bar)	Up to 1250 gpm (up to 4500 l/min)	8.4" (21.3 cm)	5.5 lb (2.5 kg)



MASTER FORCE NOZZLE FOR FIXED MONITORS

The full line of Master Stream Nozzles can be found in the Master Stream Nozzles Manual section.

MODEL	INLET	FLOW	OPERATING PRESSURE	LENGTH	WEIGHT
MC12A	2.5" NH (64 mm)	300-800 gpm (1100-3000 l/min)	100/55 psi (7/4 bar)	10.4" (26.4 cm)	9.5 lb (4.3 kg)



MASTER STREAM NOZZLE FOR FIXED MONITORS

The full line of Master Stream Nozzles can be found in the Master Stream Nozzles Manual section.

MODEL	INLET	OPERATING SYSTEM	FLOW	OPERATING PRESSURE	LENGTH	WEIGHT
M-R1000-NJ	2.5" NH (64 mm)	AUTOMATIC	150-1000 gpm (570-3800 l/min)	100 psi (7 bar)	10.0" (25.4 cm)	9.1 lb (4.1 kg)
M-RS1000-NJ	2.5" NH (64 mm)	SELECTABLE	250, 350, 500, 750, and 1000 gpm (950, 1300, 2000, 3000 and 4000 l/min)	100 psi (7 bar)	10.0" (25.4 cm)	9.1 lb (4.1 kg)
M-RF1000-NJ	2.5" NH (64 mm)	FIXED	Factory preset at the customer's specified K-factor 50 to 105 maximum. Must specify flow and pressure at time of order.		10.0" (25.4 cm)	8.3 lb (3.8 kg)



MASTER STREAM NOZZLE FOR FIXED MONITORS

The full line of Master Stream Nozzles can be found in the Master Stream Nozzles Manual section.

MODEL	INLET	OPERATING SYSTEM	FLOW	OPERATING PRESSURE	LENGTH	WEIGHT
M-R1250S-NJ	2.5" NH (64 mm)	AUTOMATIC	150-1250 gpm (570-4700 l/min)	100 psi (7 bar)	10.0" (25.4 cm)	10.4 lb (4.7 kg)
M-R1250-NJ	2.5" NH (64 mm)	AUTOMATIC	300-1250 gpm (1100-4500 l/min)	70-120 psi (4.8-8.3 bar)	12.9" (32.8 cm)	13.6 lb (6.2 kg)

Frequently Purchased MONSOON Manual 2.5" Outlet Monitor Nozzles and Foam Attachments



FIXED MONITOR FOAM ATTACHMENT

The full line of foam attachments can be found in the Foam Equipment section.

MODEL	FITS NOZZLE	LENGTH	WEIGHT
FJ-LX-M	Master Force, Master Stream 1000 & 1250S and Master Foam 250-750 gpm	25.30" (64.3 cm)	6.4 lb (2.9 kg)



INDUSTRIAL NOZZLE FOR FIXED MONITORS

The full line of Master Stream Nozzles can be found in the Master Stream Nozzles Manual section.

MODEL	THREAD (RIGID)	FLOW	LENGTH	WEIGHT
ZM141	2.5"-7.5 NH FEMALE	1250 gpm @ 100 psi (4700 l/min @ 7 bar)	7.70" (19.56 cm)	7.10 lb (3.22 kg)



SELF EDUCATING FOAM NOZZLE FOR FIXED MONITORS

The full line of Self Educating Foam Nozzles can be found in the Foam Equipment section.

MODEL	THREADS	FLOW	LENGTH	WEIGHT
ZMF13A	2.5"-7.5 NH (64 mm) Female	750 gpm @ 100 psi (3000 l/min @ 7 bar) K-factor = 75	10.50" (26.7 cm)	7.3 lb (3.3 kg)

MONSOON® RC 1250

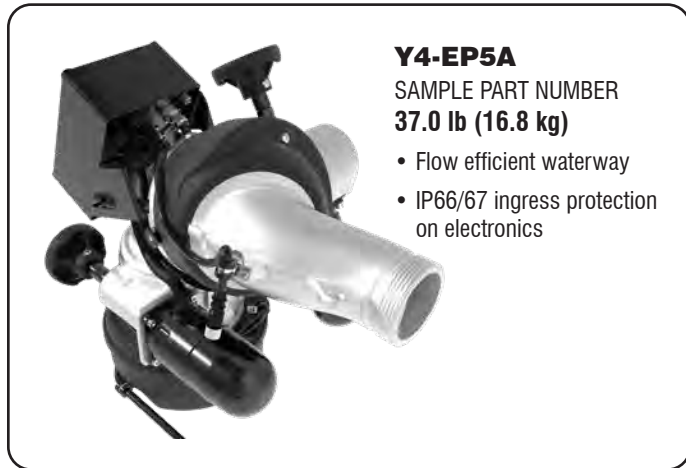
Remote Controlled Monitor - 1250 gpm (4750 l/min) Designed for Pumper Applications



The Monsoon RC for pumper installations is an electric remote controlled monitor that has all the benefits of the Monsoon monitor with the addition of powered operation. It has a greater horizontal sweep angle than the RC model for Ladder or Platform installations. Designed for 12 VDC or 24 VDC operation, selection is automatic. The Monsoon RC comes with a factory installed control panel mounted on the monitor for controlling horizontal rotation, elevation, nozzle pattern and programmable PARK and Oscillate. The motor control circuits are factory installed on the monitor and use position encoders and current limiting to protect the drive train at the ends of travel. Unit comes with 30' (10 m) of ultra-flexing robotics cable already wired to the monitor so installation effort is minimized. Cable has only four conductors (two for power and two for communications), further easing the installation effort. Cable is enclosed in a unique wire guide that allows 450° of horizontal travel (225° either side of a center position), which is far more reliable than slip rings or coil cords. Knobs for manual override are provided on the horizontal rotation and elevation drive. TFT's Master ERP nozzles plug into the

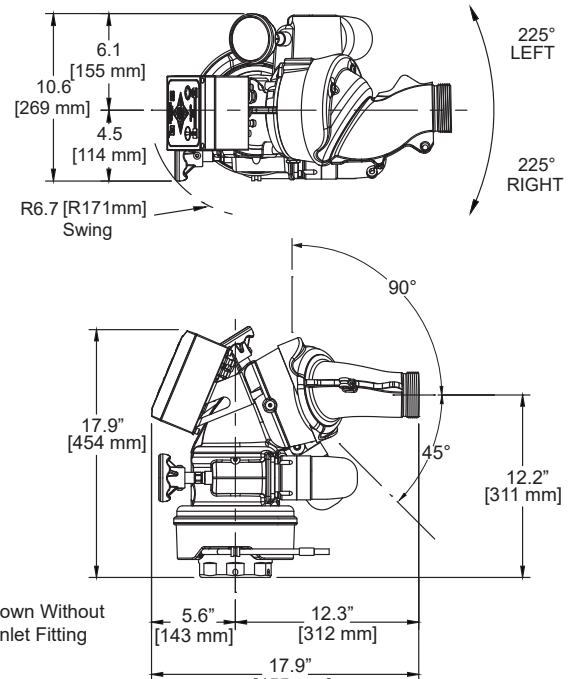
factory installed nozzle power wire. Electric drives and control box are waterproof and have a IP66/IP67 rating. Main waterway made from hardcoat anodized aluminum. Silver powder coat finish inside and out. Standard outlet is 2.5" NH (64 mm) rigid male thread. Other outlets are available. For wireless operation, purchase wireless operator station and radio/antenna found in the RC Monitor Controls and Accessories section of the catalog.

All TFT RC monitors are capable of being controlled by multiplex CANbus system. Contact factory for details.



Y4-EP5A
 SAMPLE PART NUMBER
37.0 lb (16.8 kg)

- Flow efficient waterway
- IP66/67 ingress protection on electronics



MODEL	ACTUATION	INLET	OUTLET
Y4-E15A	Electric	3" ANSI 150 / DN80 PN16 Flange	2.5" NHM
Y4-E65A	Electric	3" NPT Female	2.5" NHM
Y4-EL5A	Electric	TFT CODE-RLF*	2.5" NHM
Y4-E25A	Electric	4" ANSI 150 / DN100 PN16 Flange	2.5" NHM
Y4-EP5A	Electric	TFT CODE-RPF for Extend-A-Gun RC4	2.5" NHM

Conversions
 2.5" (64 mm)
 3.0" (76 mm)
 4.0" (102 mm)

* TFT CODE-RLF fits Extend-A-Gun RC3 and Extend-A-Gun VP with RLM outlet.

Frequently Purchased MONSOON 2.5" Outlet Monitor Nozzles and Accessories found at the end of this section.

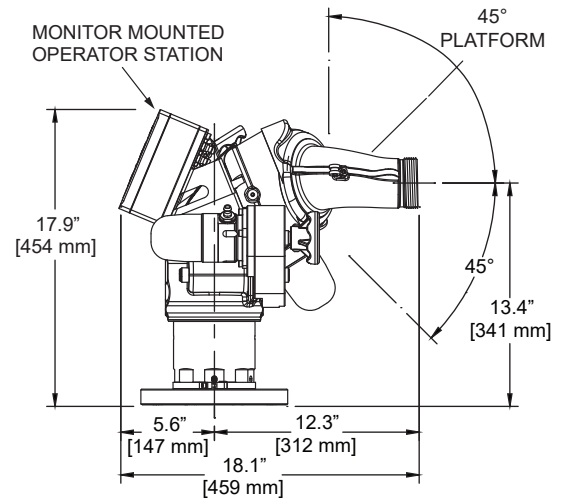
MONSOON® RC 1250

Remote Controlled High Clearance - 1250 gpm (4750 l/min) Designed for Platform Applications



The Monsoon RC for Platform installations is similar to the standard Monsoon RC. This model of Monsoon RC has the control box mounted at the top to give a reduced swing radius, thereby giving more clearance for Platform Installations. Knobs for manual override are provided on the horizontal rotation and elevation drive. Also comes with factory installed travel stops to limit the horizontal travel to 180° (90° either side of a

center position). The monitor can be controlled using the CANbus module for operation and for indication that the monitor is in the PARK position. A monitor mounted control panel allows vertical, horizontal nozzle pattern adjustments and programmable Park and Oscillate. For wireless operation, purchase wireless operator station and radio/antenna found in the RC Monitor Controls and Accessories section of the catalog.



All TFT RC monitors are capable of being controlled by multiplex CANbus system.

MODEL	INLET	OUTLET	CONFIGURATION
Y4-E15A-P-01	3" ANSI 150 / DN80 PN16 Flange	2.5" NHM	Platform

Conversions
 2.5" (64 mm)
 3.0" (76 mm)

Frequently Purchased MONSOON 2.5" Outlet Monitor Nozzles and Accessories found at the end of this section.

Frequently Purchased MONSOON RC 2.5" Outlet Monitor Nozzles and Accessories



POWER CONDITIONER FOR RC MONITORS

The full line of Controllers and Accessories can be found in the RC Monitor Controllers and Accessories section..

MODEL	DESCRIPTION	LENGTH	WEIGHT
YE-PWR-COND	Power Conditioner that Easily connects in-line to maintain clean power to monitor or VUM.	8" L x 3.5" W x 2.5" H (20.3 x 8.9 x 6.4)	1.86 lbs. (844 gr)



REMOTE CONTROL ACCESSORIES

The full line of Remote Control Accessories can be found in the Remote Control Accessories section.

MODEL	DESCRIPTION
YE-RF-RAD-9	WIRELESS RADIO AND ANTENNA 900 MHZ
YE-RF-RAD-24	WIRELESS RADIO AND ANTENNA 2.4 GHZ



MULTIPLEX ADAPTER FOR RC MONITOR

The full line of Controllers and Accessories can be found in the RC Monitor Controllers and Accessories section..

MODEL	DESCRIPTION	LENGTH	WEIGHT
YE-CAN2	Converts CANbus signals into serial communications for controlling a TFT RC monitor or valve	5.40" L x 1.64" W x 1.36" H (13.7 x 4.2 x 3.5 cm)	3.0 oz (85 gr)



SMOOTHBORE STACKED TIP FOR RC MONITORS

The full line of Smoothbore Stacked Tips can be found in the Master Stream Nozzles Manual section..

MODEL	INLET	ORIFICE OPENINGS	LENGTH	WEIGHT
MST-4NJ	2.5" NH (64 mm)	2", 1.75", 1.5", and 1.375" (51 mm, 44 mm, 38 mm and 35 mm)	16.90" (42.9 cm)	3.10 lb (1.40 kg)



STREAM STRAIGHTENER FOR RC MONITORS

The full line of Stream Straighteners can be found in the Master Stream Nozzles Manual section..

MODEL	LENGTH	INLET / OUTLET
XF-SS5	5" (127 mm)	2.5" NH (64 mm)
XF-SS10	10" (254 mm)	2.5" NH (64 mm)



VORTEX 2 ER FOR RC MONITORS

The full line of Vortex can be found in the Master Stream Nozzles RC section.

MODEL	INLET	OUTLET	OPERATING SYSTEM	MAXIMUM PRESSURE	FLOW	LENGTH	WEIGHT
SVJ-NJNJ	2.5" NH (64 mm)	2.5" NH (64 mm)	MANUAL	300 psi (21 bar)	Up to 1250 gpm (up to 4500 l/min)	8.4" (21.3 cm)	5.5 lb (2.5 kg)



MASTER FORCE ERP NOZZLE FOR RC MONITORS

The full line of Master Stream Nozzles can be found in the Master Stream Nozzles Manual section.

MODEL	INLET	FLOW	OPERATING PRESSURE	SMART STREAM TECHNOLOGY	LENGTH	WEIGHT
MC-ERP-12A	2.5" NH (64 mm)	300-800 gpm (1100-3000 l/min)	100/55 psi (7/4 bar)	YES	11.6" (29.5 cm)	14.2 lb (6.4 kg)



MASTER STREAM ERP NOZZLE FOR RC MONITORS

The full line of Master Stream Nozzles can be found in the Master Stream Nozzles Manual section.

MODEL	INLET	FLOW	OPERATING PRESSURE	SMART STREAM TECHNOLOGY	LENGTH	WEIGHT
M-ERP1000-NJ	2.5" NH (64 mm)	150-1000 gpm (570-3800 l/min)	100 psi (7 bar)	YES	12.0" (30.5 cm)	13.7 lb (6.2 kg)
M-ERP1250SNJ	2.5" NH (64 mm)	150-1250 gpm (570-4700 l/min)	100 psi (7 bar)	YES	12.0" (30.5 cm)	13.7 lb (6.2 kg)
M-ERP1250-NJ	2.5" NH (64 mm)	300-1250 gpm (1100-4500 l/min)	70-120 psi (4.8-8.3 bar)	YES	13.0" (33.0 cm)	18.4 lb (8.3 kg)

MONSOON® 2000

Manually Controlled Monitor - 2000 gpm (7600 l/min)



The Monsoon is a manually operated monitor designed for flows up to 2000 gpm (7600 l/min). Maximum operating pressure is 200 psi (14 bar). Unique patented segmented waterway has only 15 psi (1 bar) friction loss at 2000 gpm. Water makes very few turns as it travels through the monitor resulting in low friction loss and a far-reaching effective stream. Elevation range is 90° above horizontal to 45° below. Field changeable elevation travel stops at 45° above, 30° above, and 30° below horizontal. The manual model has continuous horizontal rotation with field changeable stops at 45, 90 and 135° either side of a center position.

Available with various inlet flanges and threaded fittings. Inlet also made for direct connection to TFT's Valve Under Monitor series. Main waterway made from hardcoat anodized ANSI 356-T6 aluminum.

Silver powder coat finish inside and out is standard, except when "- Z" is added to the end of the model number. Models ending in "- Z" have American Red powder coat finish. Standard outlet is 3.5" NH (90 mm) male thread; other outlets available.



Y4-M21A
 SAMPLE PART NUMBER
25.0 lb (11.3 kg)

- High flow waterway design
- Crank handles for elevation and rotation



Y4-T21A-Z
 SAMPLE PART NUMBER
31.1 lb (14.1 kg)

- Crank handle for elevation
- Tiller bar with locking knob for rotation

MODEL	ACTUATION	INLET	OUTLET
Y4-M21A	Manual	4" ANSI 150 DN100 PN16 Flange	3.5"-6 NH Male
Y4-M31A	Manual	6" ANSI 150	3.5"-6 NH Male
Y4-M21A-P-01*	Manual	4" ANSI 150 DN100 PN16 Flange	3.5"-6 NH Male
Y4-MP1A-P-01*	Manual	TFT CODE-RPF**	3.5"-6 NH Male
INDUSTRIAL MODELS	ACTUATION	INLET	OUTLET
Y4-M21A-Z	Manual	4" ANSI 150 DN100 PN16 Flange	3.5"-6 NH Male
Y4-MX1A-Z	Manual	TFT CODE-RRM***	3.5"-6 NH Male
Y4-T11A-Z	Tiller	3" ANSI 150 DN80 PN16 Flange	3.5"-6 NH Male
Y4-T21A-Z	Tiller	4" ANSI 150 DN100 PN16 Flange	3.5"-6 NH Male

Conversions
 3.0" (76 mm)
 3.5" (89 mm)
 4.0" (102 mm)
 6.0" (152 mm)

Frequently Purchased MONSOON 3.5" Outlet Monitor Nozzles and Foam Attachments found at the end of this section.

* Aerial Platform model with rotation stops at 90° left/right of center, elevation stop at 45° above horizontal, and lower profile elevation shaft
 ** TFT CODE-RPF fits Extend-A-Gun RC4, and VUM
 *** TFT CODE-RRM fits 4" IVUM

Frequently Purchased MONSOON 3.5" Outlet Monitor Nozzles and Foam Attachments



SMOOTHBORE TIPS FOR FIXED MONITORS

The full line of Smoothbore Tips can be found in the Master Stream Nozzles Manual section.

MODEL	INLET FEMALE	ORIFICE	LENGTH	WEIGHT
YST-4NN	3.5" NH (89 mm)	2.75", 2.5", 2.25", and 2.0" (70 mm, 64 mm, 57 mm and 51 mm)	22.0" (55.9 cm)	10.7 lb (4.9 kg)
YST-3NN	3.5" NH (89 mm)	2.5", 2.25", and 2.0" (64 mm, 57 mm and 51 mm)	12.70" (32.3 cm)	4.9 lb (2.2 kg)
YST-1NN	3.5" NH (89 mm)	2.5" (64 mm) Replaces Stream Straightener section on YST-4NN for use with Vortex 3.	6.1" (15.5 cm)	2.7 lb (1.2 kg)



VORTEX 3 MANUAL FOR FIXED MONITORS

The full line of Vortex can be found in the Master Stream Nozzles Manual section.

MODEL	INLET	OUTLET	OPERATING SYSTEM	MAXIMUM PRESSURE	FLOW	LENGTH	WEIGHT
SVN-NNNN	3.5" NH (89 mm)	3.5" NH (89 mm)	MANUAL	300 psi (21 bar)	Up to 2500 gpm (up to 9500 l/min)	9.0" (22.9 cm)	11.5 lb (5.2 kg)



MASTER STREAM NOZZLE FOR FIXED MONITORS

The full line of Master Stream Nozzles can be found in the Master Stream Nozzles Manual section.

MODEL	INLET	OPERATING SYSTEM	FLOW	OPERATING PRESSURE	LENGTH	WEIGHT
M-R1250-NN	3.5" NH (89 mm)	AUTOMATIC	300-1250 gpm (1100-4500 l/min)	70-120 psi (4.8-8.3 bar)	12.0" (30.5 cm)	14.3 lb (6.5 kg)
M-R1500-NN	3.5" NH (89 mm)	AUTOMATIC	300 - 1500 gpm (1100 - 6000 l/min)	70 - 120 psi (4.8 - 8.3 bar)	12.0" (32.0 cm)	14.4 lb (6.5 kg)
M-R2000-NN	3.5" NH (89 mm)	AUTOMATIC	300 - 2000 gpm (1100 - 7600 l/min)	80-120 psi (5.5-8.0 bar)	12.1" (30.7 cm)	18.7 lb (8.5 kg)



FIXED MONITOR FOAM ATTACHMENT

The full line of foam attachments can be found in the Foam Equipment section.

MODEL	FITS NOZZLE	LENGTH	WEIGHT
FJ-LX-M3	Master Stream 1250 Large Body and 1500	29.90" (76.0 cm)	10.9 lb (4.94 kg)



INDUSTRIAL NOZZLE FOR FIXED MONITORS

The full line of Master Stream Nozzles can be found in the Master Stream Nozzles Manual section.

MODEL	THREAD (RIGID)	FLOW	LENGTH	WEIGHT
Z012	3.5"-6 NH FEMALE	1500 GPM @ 100 PSI - K-factor = 150 (5500 l/min @ 7 bar)	11.60" (29.5 cm)	22.00 lb (10.0 kg)
Z014	3.5"-6 NH FEMALE	2000 GPM @ 100 PSI - K-factor = 200 (7500 l/min @ 7 bar)	11.60" (29.5 cm)	22.00 lb (10.0 kg)



SELF EDUCATING MASTER STREAM NOZZLE FOR FIXED MONITORS

The full line of Self Educating Master Stream Nozzles can be found in the Foam Equipment section.

MODEL	THREADS	FLOW	LENGTH	WEIGHT
1500 or 2000 gpm (5700 or 7700 l/min) Self-Educting Foam Nozzles				
ZMF16	3.5"-6 NH (89 mm) NH Coupling	1500 gpm @ 100 psi (5700 l/min @ 7 bar) K-factor = 150	11.38" (28.9 cm)	24.8 lbs (11.2 kg)
ZMF17	3.5"-6 NH (89 mm) NH Coupling	2000 gpm @ 100 psi (7700 l/min @ 7 bar) K-factor = 200	11.38" (28.9 cm)	24.8 lbs (11.2 kg)

MONSOON® RC 2000

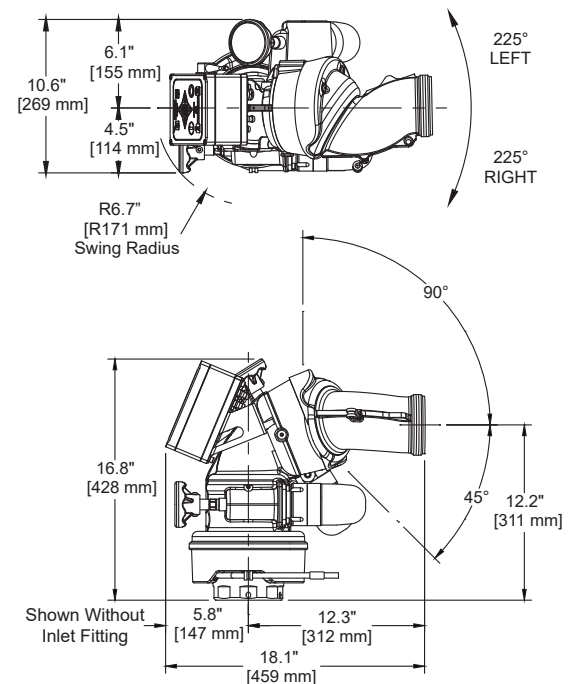
Remote Controlled Deck Monitor - 2000 gpm (7600 l/min) Designed for Pumper Applications



The Monsoon RC for pumper installations is an electric remote controlled monitor that has all the benefits of the Monsoon monitor with the addition of powered operation. Designed for 12 VDC or 24 VDC operation, selection is automatic. The Monsoon RC comes with a factory installed control panel mounted on the monitor for controlling horizontal rotation, elevation, nozzle pattern and programmable PARK and Oscillate. The motor control circuits are factory installed on the monitor and use position encoders and current limiting to protect the drive train at the ends of travel. Unit comes with 30 feet of ultra-flexing robotics cable already wired to the monitor so installation effort is minimized. Cable has only four conductors (two for power and two for communications), further easing the installation effort. Cable is enclosed in a unique wire guide that

allows 450° of horizontal travel (225° either side of a center position), which is far more reliable than slip rings or coil cords. Knobs for manual override are provided on the horizontal rotation and elevation drive. TFT's Master ERP nozzles plug into the factory installed nozzle power wire. Electric drives and control box are waterproof. Main waterway made from hardcoat anodized ANSI 356-T6 aluminum. Silver powder coat finish inside and out. Standard outlet is 3.5" NH (89 mm) rigid male thread. For wireless operation, purchase wireless operator station and radio/antenna found in the RC Monitor Controls and Accessories section of the catalog.

All TFT RC monitors are capable of being controlled by multiplex CANbus system.



MODEL	ACTUATION	INLET	OUTLET
Y4-EL1A	Electric	TFT CODE-RLF*	3.5"- 6 NH Male
Y4-E21A	Electric	4" ANSI 150 / DN100 PN16 Flange	3.5"- 6 NH Male
Y4-E31A	Electric	6" ANSI 150 Flange	3.5"- 6 NH Male
Y4-EP1A	Electric	TFT CODE-RPF Extend-A-Gun RC4	3.5"- 6 NH Male

Conversions
 3.0" (76 mm)
 3.5" (89 mm)
 4.0" (102 mm)

* TFT CODE-RLF fits Extend-A-Gun RC3 and Extend-A-Gun VP with RLM outlet.

Frequently Purchased MONSOON 3.5" Outlet Monitor Nozzles and Accessories found at the end of this section.

MONSOON® RC 2000

Remote Controlled High Clearance - 2000 gpm (7600 l/min) Designed For Ladder and Platform Applications



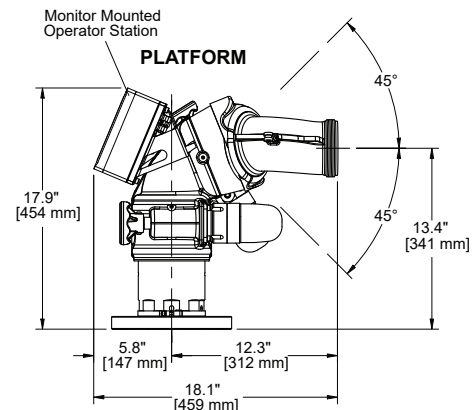
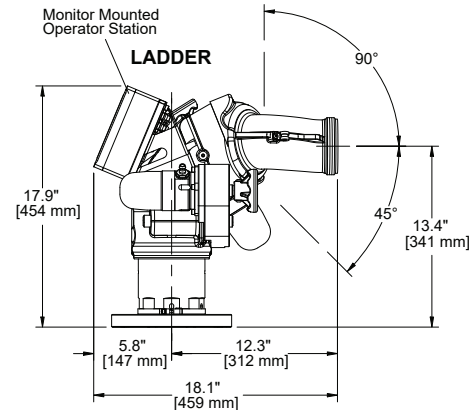
The Monsoon RC for Ladder or Platform installations is similar to the standard Monsoon RC. This model of Monsoon RC has the control box mounted at the top to give a reduced swing radius, thereby giving more clearance for Ladder Truck or Platform Installations. Knobs for manual override are provided on the horizontal rotation and elevation drive. Also comes with factory installed travel stops to limit the horizontal travel to 180° (90° either side of a center position). Some Ladder and Platform models include an electronics enclosure and 10' of cable to connect signals from the primary control station (such as the turntable toggle switches). These signals can either be hard wired or from a Canbus output module output. The Platform model's electronics enclosure contains an additional 10' cable to connect signals from a secondary control station (such as from basket toggle switches). The primary control signals will always override any signals from the secondary control or the monitor operator station. The electronics enclosure is factory configured to accept +12/24 VDC signals, but can be reconfigured in field to accept ground signals. This electronics enclosure also includes a relay to indicate when the monitor is in PARK position and has contacts that can be connected into the Canbus or multiplex system.

A monitor mounted control panel allows vertical, horizontal nozzle pattern adjustments and programmable PARK and Oscillate.

Ladder/platform electronics enclosures includes inputs for DEPLOY monitor, INHIBIT monitor.

All Ladder & Platform version monitors include electronic "sit/stay" feature to keep powered monitor from rotating during travel.

Ladder version monitors (unless otherwise noted) include anti-back drive gear box to keep unpowered monitor from rotating during road travel.



MODEL	INLET	OUTLET	CONFIGURATION
Y4-E21A-L	4" ANSI 150 / DN100 PN16 Flange	3.5"-6 NH Male	Ladder
Y4-E21A-L-01	4" ANSI 150 / DN100 PN16 Flange	3.5"-6 NH Male	Ladder - No Electronics Interface box
Y4-E21A-L-02	4" ANSI 150 / DN100 PN16 Flange	3.5"-6 NH Male	Ladder - No anti-back drive gear box
Y4-E21A-P-01	4" ANSI 150 / DN100 PN16 Flange	3.5"-6 NH Male	Platform - No Electronics Interface box
Y4-EP1A-P-01	TFT CODE-RPF**	3.5"-6 NH Male	Platform - No Electronics Interface box
Y4-EP1A-P-05	TFT CODE-RPF**	3.5"-6 NH Male	Platform - No Electronics Interface box. 2" shorter inlet base.

Conversions
 3.5" (89 mm)
 4.0" (102 mm)

** TFT CODE-RPF fits VUM

Frequently Purchased MONSOON 3.5" Outlet Monitor Nozzles and Accessories found at the end of this section.

Frequently Purchased MONSOON RC 3.5" Outlet Monitor Nozzles and Foam Attachments



POWER CONDITIONER FOR RC MONITORS

The full line of Controllers and Accessories can be found in the RC Monitor Controllers and Accessories section..

MODEL	DESCRIPTION	LENGTH	WEIGHT
YE-PWR-COND	Power Conditioner that Easily connects in-line to maintain clean power to monitor or VUM.	8" L x 3.5" W x 2.5" H (20.3 x 8.9 x 6.4)	1.86 lbs. (844 gr)



REMOTE CONTROL ACCESSORIES

The full line of Remote Control Accessories can be found in the Remote Control Accessories section.

MODEL	DESCRIPTION
YE-RF-RAD-9	WIRELESS RADIO AND ANTENNA 900 MHZ
YE-RF-RAD-24	WIRELESS RADIO AND ANTENNA 2.4 GHZ



MULTIPLEX ADAPTER FOR RC MONITOR

The full line of Controllers and Accessories can be found in the RC Monitor Controllers and Accessories section..

MODEL	DESCRIPTION	LENGTH	WEIGHT
YE-CAN2	Converts CANbus signals into serial communications for controlling a TFT RC monitor or valve	5.40" L x 1.64" W x 1.36" H (13.7 x 4.2 x 3.5 cm)	3.0 oz (85 gr)



SMOOTHBORE TIPS FOR RC MONITORS

The full line of Smoothbore Tips can be found in the Master Stream Nozzles Manual section..

MODEL	INLET FEMALE	ORIFICE	LENGTH	WEIGHT
YST-4NN	3.5" NH (89 mm)	2.75", 2.5", 2.25", and 2.0" (70 mm, 64 mm, 57 mm and 51 mm)	22.0" (55.9 cm)	10.7 lb (4.9 kg)
YST-3NN	3.5" NH (89 mm)	2.5", 2.25", and 2.0" (64 mm, 57 mm and 51 mm)	12.70" (32.3 cm)	4.9 lb (2.2 kg)
YST-1NN	3.5" NH (89 mm)	2.5" (64 mm)	6.1" (15.5 cm)	2.7 lb (1.2 kg)



VORTEX 3 ER FOR RC MONITORS

The full line of Vortex can be found in the Master Stream Nozzles RC section.

MODEL	INLET	OUTLET	OPERATING SYSTEM	MAXIMUM PRESSURE	FLOW	LENGTH	WEIGHT
SVNE-NNNN	3.5" NH (89 mm)	3.5" NH (89 mm)	ELECTRIC REMOTE	300 psi (21 bar)	Up to 2500 gpm (up to 9500 l/min)	9.0" (22.9 cm)	13.9 lb (6.3 kg)



MASTER STREAM RC NOZZLE

The full line of foam attachments can be found in the Master Stream Nozzles RC section.

MODEL	INLET	FLOW	OPERATING PRESSURE	SMART STREAM TECHNOLOGY	LENGTH	WEIGHT
M-ERP1250-NN	3.5" NH (89 mm)	300-1250 gpm (1100-4500 l/min)	70-120 psi (4.8-8.3 bar)	YES	12.0" (30.5 cm)	17.3 lb (7.8 kg)
M-ERP1500-NN	3.5" NH (89 mm)	300-1500 gpm (1100-6000 l/min)	70-120 psi (4.8-8.3 bar)	YES	12.0" (32.0 cm)	17.3 lb (7.8 kg)
M-ERP2000-NN	3.5" NH (89 mm)	300 - 2000 gpm (1100 - 7600 l/min)	80-120 psi (5.5-8.3 bar)	YES	12.1" (30.7 cm)	22.3 lb (10.1 kg)

TSUNAMI™ RC

Remote Controlled Monitor - Up To 8,000 gpm (30,000 l/min)

The Tsunami RC is an electric remote controlled monitor capable of flowing 8,000 gpm (30,000 l/min). Waterway with turning vane has only 15 psi (1 bar) friction loss at 8,000 gpm (30,000 l/min). Elevation range is 90° above horizontal to 10° below. Field changeable elevation travel stops. Horizontal travel is 320° (160° either side of a center position). Field changeable horizontal travel stops. Designed for 12 VDC or 24 VDC operation, selection is automatic. The Tsunami monitor comes with a control panel on the monitor for horizontal rotation, elevation, nozzle pattern, programmable Park and Oscillate. The motor control circuits use

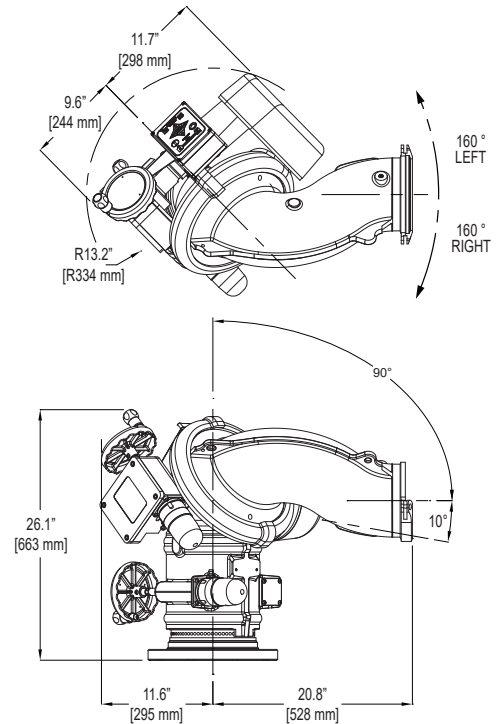
position encoders and current limiting to protect the drive train at the ends of travel. Unit has waterproof factory installed plug on power wire for easy removal or reinstallation. Handwheel for manual override are provided on the horizontal rotation and elevation drive. Electric drives and control box are waterproof and have a IP66/IP67 rating. Main waterway made from hardcoat anodized aluminum. Silver powder coat finish inside and out. For wireless operation, purchase wireless operator station and radio/antenna found in the RC Monitor Controls and Accessories section of the catalog.



**FOR
VERTICAL
MOUNTING
ONLY**

Y8-E11A
174.0 lb (78.9 kg)

- 8" ANSI (203 mm) 150 flange inlet
- Quick connect outlet
- IP66/67 ingress protection on electronics



MODEL	ACTUATION	INLET	OUTLET
Y8-E11A	Electric	8" ANSI 150	Tsunami Quick Connect

Conversions
8.0" (203 mm)

**Frequently Purchased TSUNAMI Monitor
Nozzles and Accessories found on next page.**

Frequently Purchased TSUNAMI Monitor Nozzles



SMOOTHBORE TIPS FOR RC MONITORS

The full line of Smoothbore Tips can be found in the Master Stream Nozzles Manual section..

MODEL	INLET	ORIFICE OPENINGS	LENGTH	WEIGHT
YST-8NX	Tsunami Quick Connect	5.125", 4.5", 4.0", and 3.5" (130 mm, 114 mm, 102 mm and 89 mm)	44.2" (112.3 cm)	37.0 lb (16.8 kg)



MASTER STREAM NOZZLE FOR RC MONITORS

The full line of Master Stream Nozzles can be found in the Master Stream Nozzles Manual section.

MODEL	ATTACHMENT	FLOW	PRESSURE	OPERATING SYSTEM
MT-A4ERP-QC	Tsunami Quick Connect	600-4000 gpm (2300-15000 l/min)	80-120 psi (5.5-8.3 bar)	AUTOMATIC
MT-S3ERP-QC	Tsunami Quick Connect	2000/3000/4000 gpm (7500/11000/15000 l/min)	100 psi (7 bar)	SELECTABLE



VORTEX 6 ER FOR RC MONITORS

The full line of Vortex can be found in the Master Stream Nozzles RC section.

MODEL	INLET	OUTLET	OPERATING SYSTEM	MAXIMUM PRESSURE	FLOW	LENGTH	WEIGHT
SVXE	6" NHF (152 mm)	6" NHM (152 mm)	ELECTRIC REMOTE	300 psi (21 bar)	Up to 8000 gpm (30,000 l/min)	11.0" (27.9 cm)	19.9 lb (9.0 kg)



REMOTE CONTROL ACCESSORIES

The full line of Remote Control Accessories can be found in the Remote Control Accessories section.

MODEL	DESCRIPTION
YE-RF-RAD-9	WIRELESS RADIO AND ANTENNA 900 MHZ
YE-RF-RAD-24	WIRELESS RADIO AND ANTENNA 2.4 GHZ



MULTIPLEX ADAPTER FOR RC MONITOR

The full line of Controllers and Accessories can be found in the RC Monitor Controllers and Accessories section..

MODEL	DESCRIPTION	LENGTH	WEIGHT
YE-CAN2	Converts CANbus signals into serial communications for controlling a TFT RC monitor or valve	5.40"L x 1.64"W x 1.36"H (13.7 x 4.2 x 3.5 cm)	3.0 oz (85 gr)

REMOTE CONTROL ACCESSORIES



These accessories and components are for use with EF1, Tornado RC, Hurricane RC, Typhoon RC, Monsoon RC and Tsunami RC and allow control of the monitors at remote locations. The Panel Mount, Tethered and Wireless Operator Stations have a waterproof membrane switch to control vertical, horizontal, and nozzle patterns, as well as the programmable PARK and Oscillate. Power, PARK and Oscillate indicator lights are standard. Two Auxiliary buttons to control lights, valves,

Extend-A-Guns and other equipment, are included and require the Remote Auxiliary Function Relay Interface Box or valve kit or Extend-A-Gun RC. All operator stations are equipped with "last button pressed" software so any button presses from the operator station will take over control from any other operator station. These operator stations can also be configured "master", by an internal DIP switch, as a "master" station so that commands from the operator station cannot be overridden.



PANEL MOUNT MONITOR OPERATOR STATION WITH DISPLAY

■ **Y4E-RP-D**
 2.70 lb (1.20kg)
 8.00"H x 5.625"W x 3.5"D
 (20.30 x 14.3 x 8.9 cm)

- Designed to be mounted in a panel
- Control up to ten TFT RC monitors from one operator station
- Display for advanced system feedback and a backlit control panel for improved visibility
- A 30' (9 m) long cable for incoming power and communication connections is supplied pre-connected



PANEL MOUNT MONITOR OPERATOR STATION

■ **Y4E-RP**
 2.70 lb (1.20kg)
 8.00"H x 5.625"W x 3.5"D
 (20.30 x 14.3 x 8.9 cm)

- Designed to be mounted in a panel
- Control one electric monitor from a remote location
- A 30' (9 m) long cable for incoming power and communication connections is supplied pre-connected



TETHERED MONITOR OPERATOR STATION WITH DISPLAY

■ **Y4E-CT-30-D**
 7.6 lb (3.4 kg)
 7.30" (18.5 cm)
 ■ **Y4E-CT-100-D**
 7.6 lb (3.4 kg)
 7.30" (18.5 cm)

- Unit is easily configurable for multi-monitor control
 - Control up to ten TFT RC monitors from one operator station
 - Display for advanced system feedback and a backlit control panel for improved visibility
 - Pendant receptacle can be connected to the Panel Mount Operator Station or directly to the monitor
 - A 30' (9 m) or 100' (30 m) long cable for attachment to the included receptacle
 - Mounting bracket meets NFPA 1901 9G force requirements
- Contact customer service for longer tether.



TETHERED MONITOR OPERATOR STATION

■ **Y4E-CT-30**
 7.60 lb (3.40 kg)
 7.30" (18.5 cm)

- Control one electric monitor from a remote location
 - Pendant receptacle can be connected to the Panel Mount Operator Station or directly to the monitor
 - A 30' (9 m) long cable for attachment to the included receptacle
 - Mounting bracket meets NFPA 1901 9G force requirements
- Contact customer service for longer tether.

REMOTE CONTROL ACCESSORIES



WIRELESS MONITOR OPERATOR STATION WITH DISPLAY
900 MHz OR 2.4 GHz

■ **YE-RF-900-D**
■ **YE-RF-2400-D**
3.10 lb (1.40kg)
11.30" (28.70cm)



- Wireless transmitter will operate up to 500' (152 m) away from the monitor
- Control up to ten TFT RC monitors from one operator station
- Display for advanced system feedback and a backlit control panel for improved visibility
- Mounting bracket meets NFPA 1901 9G force requirements

NOTE: Order one YE-RF-RAD-* for each RC monitor.



WIRELESS MONITOR OPERATOR STATION
900 MHz OR 2.4 GHz

■ **YE-RF-900**
■ **YE-RF-2400**
3.10 lb (1.40kg)
11.30" (28.70cm)



- Wireless transmitter will operate up to 500' (152 m) away from the monitor
- Control one electric monitor from a remote location
- Mounting bracket meets NFPA 1901 9G force requirements

NOTE: Order one YE-RF-RAD-* for each RC monitor.



WIRELESS MONITOR RADIO AND ANTENNA 900 MHz OR 2.4 GHz

■ **YE-RF-RAD-9**
■ **YE-RF-RAD-24**

- When ordered at the same time as the RC monitor, radio and antenna will be installed by TFT assembly personnel

NOTE: This item is required when ordering RC monitor and wireless controller. One radio and antenna per monitor.



BLUETOOTH® ADAPTER

■ **YE-BT1**
3.0 oz (85 gr)
5.40"L x 1.64"W x 1.36"H
(13.7 x 4.2 x 3.5cm)



Bluetooth

- For RC monitors and Valve Under Monitor (VUM)
- Operate monitor via Bluetooth® from any smart device using the free App to operate, program, and service any TFT RC monitor or VUM
- Easily connects in-line to monitor or valve cable

FREE BLUETOOTH® OPERATIONS APP
SEARCH: TASK FORCE TIPS OPS APP



PANEL MOUNT RC EXTEND-A-GUN OPERATOR STATION

■ **XGA-RP**
1.00 lb (0.5 kg)
5.25" x 3.75"
(13.30 cm x 9.5 cm)

- Allows the RC Extend-A-Gun to be controlled from a remote location
- Designed to be flush mounted
- Includes 12' (3.6 m) pre-connected cable

NOTE: This operator station is required if the RC Extend-A-Gun is installed without a TFT RC Monitor. An included 6' (1.8 m) cable must be installed into the RC Extend-A-Gun interface box.



MULTIPLEX ADAPTER FOR RC MONITOR AND VUM

■ **YE-CAN2**
3.0 oz (85 gr)
5.40"L x 1.64"W x 1.36"H
(13.7 x 4.2 x 3.5 cm)

- Converts CANbus signals into serial communications for controlling a TFT RC monitor or valve
- Designed to work on a J1939 CANbus system and allows control of all TFT RC Monitors and RC Valve Under Monitor
- Easily connects in-line to monitor or valve cable

REMOTE CONTROL ACCESSORIES

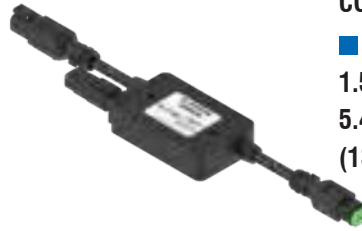


POWER CONDITIONER

■ **YE-PWR-COND**

1.86 lbs (.84 gr)
8"L x 3.5"W x 2.5"H
(20.3 x 8.9 x 6.4 cm)

- For RC monitors, Valve Under Monitor (VUM), Ball Intake Valve (BIV), and Extend-A-Guns
- Provides clean power source, perfect for every aerial ladder and platform, without out batteries
- Designed for 12 VDC or 24 VDC operation
- Easily connects in-line to monitor, valve, or Extend-A-Gun cable

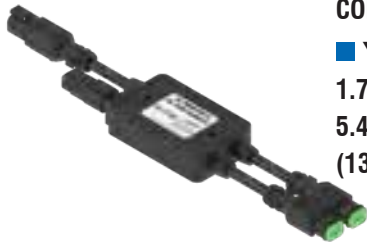


CONNECTION HARNESS

■ **YE-1F2M**

1.5 lbs (.68 kg)
5.4" L x 2.5" W x 1.4" H
(13.7 x 6.4 x 3.6 cm)

- Easily connect a TFT RC Monitor to a Valve Under Monitor (VUM) or other controller
- Fully encapsulated to protect from the environment, with mounting holes
- Simply plug into existing wiring harness plugs on TFT RC products
- Simply a wiring connection harness with 1 female with 1' (0.3 m) cable and 2 male connections, 1 with 6' (1.8 m) cable



CONNECTION HARNESS

■ **YE-1F3M**

1.7 lbs (.77 kg)
5.4" L x 2.5" W x 1.4" H
(13.7 x 6.4 x 3.6 cm)

- Easily connect a TFT RC Monitor to a Valve Under Monitor (VUM) and other controller
- Fully encapsulated to protect from the environment, with mounting holes
- Simply plug into existing wiring harness plugs on TFT RC products
- Simply a wiring connection harness with 1 female with 1' (0.3 m) cable and 3 male connections, one with 6' (1.8 m) cable, one with 8' (2.4 m) cable

EXTENSION CABLE 4 CONDUCTOR

■ **YE-CAB-6**

0.55 lbs (.25 kg)
6' (1.8 m)

- 6' (1.8 m) extension cable with 1 male and 1 female 4 pin connectors attached

REMOTE CONTROL ACCESSORIES



**JOYSTICK
MONITOR OPERATOR
STATION AND BRACKET**



■ **Y4E-JS-51**
 ■ **Y4E-JS-52**
 5.00 lb (2.30 kg)
 10.00"H x 4.75"W x 4.75"L
 (25.40 x 12.1 x 12.1 cm)

- Allows any TFT RC electric monitor to be controlled using a joystick
- Thumb switch controls nozzle pattern
- Trigger built into the joystick handle can be used to open and close TFT water valves
- A 10' (3 m) cable is supplied
- Push buttons on top for PARK and OSCILLATE functions as well as monitor DEPLOY
- Additional configurable button can be set up for RC Extend-A-Gun or LED light kit control

Y4E-JS-51 Cable has plug and includes bulkhead receptacle with stripped wires for connection to control system.
 Y4E-JS-52 Cable has plug to connect to YE-VK valve interface box
 NOTE: Consult Manual LIY-500 at tft.com/Resource-Library for instructions to enable proportional speed control.



**JOYSTICK
MONITOR OPERATOR
STATION WITH GATEABLE
VALVE CONTROL AND BRACKET**



■ **Y4E-JS-GT**
 ■ **Y4E-JS-GT-R**
 5.00 lb (2.30 kg)
 10.00"H x 4.75"W x 4.75"L
 (25.40 x 12.1 x 12.1 cm)

- Allows any TFT RC electric monitor to be controlled using a joystick and includes a valve opening adjustment slider to control the valve position on TFT Gateable Valve Kits
- Thumb switch controls nozzle pattern
- Trigger built into the joystick handle can be used to operate TFT gateable valves
- Includes a 10' (3 m) cable
- Push buttons on top for PARK and OSCILLATE functions as well as monitor DEPLOY
- Additional configurable button can be set up for RC Extend-A-Gun or LED light kit control

Y4E-JS-GT has cable and plug to connect to YE-VKG valve interface box.
 Y4E-JS-GT-R – Cable has plug and includes bulkhead receptacle with stripped wires for connection to control system.
 NOTE: Consult Manual LIY-500 at tft.com/Resource-Library for instructions to enable proportional speed control.



PANEL MOUNTED RECEPTACLE

■ **YE-RECEP-4**
 30.00 ft (9.10 m)
 2.7 lb (1.2 kg)

- Allows tethered monitor or joystick operator stations to be connected at additional locations
- A 30' (9 m) long 4-conductor cable with a pre-connected receptacle is supplied
- Includes waterproof cap and chain

REMOTE CONTROL ACCESSORIES



MONITOR POSITION DISPLAY

■ **Y4E-DISP**

2.70 lb (1.20 kg)
4.25"L x 4.25"W x 1.30"H
(10.8 x 10.8 x 3.3 cm)

- Shows the stream position of any TFT RC electric monitor
- Buttons for the PARK & Oscillate features and HIGH/LOW speed selection
- A 10' (3 m) long 4-conductor cable for power and communication is supplied pre-connected



VALVE POSITION DISPLAY

■ **A-DISP**

2.70 lb (1.20 kg)
4.25"L x 4.25"W x 1.30"H
(10.8 x 10.8 x 3.3 cm)

- Five LEDs show the position of any TFT RC Ball Intake Valve or Valve Under Monitor
- Buttons for valve open, stop, close
- Can be quickly and easily set for manual (jog) or automatic (full travel) modes
- A 20' (6 m) long 4-conductor cable w/Deutsch quick-connect plug for power and communication is supplied pre-connected



TOGGLE SWITCH MONITOR OPERATOR STATION

■ **Y4E-TS**

2.70 lb (1.20 kg)
4.9"L x 3.2"W x 2.2"H
(12.4 x 8.1 x 5.6 cm)

- Allows any TFT RC electric monitor to be controlled using three toggle switches for left/right, up/down, and fog/stream
- Operator station can be surface mounted
- A 10' (3 m) long 4-conductor cable for power and communication is supplied pre-connected



MONITOR COMMUNICATION INTERFACE BOX

■ **Y4E-COMM**

2.70 lb (1.20 kg)
4.9"L x 3.2"W x 2.2"H
(12.4 x 8.1 x 5.6 cm)

- For controlling any TFT RC electric monitor from other inputs such as toggle switches
- Accepts +12/24 VDC signals, but can be field changed to accept ground signals
- A 10' (3 m) long 4-conductor cable for power and communication is supplied pre-connected
- A 10' (3 m) long 8 conductor cable for input signals is supplied pre-connected



REMOTE AUXILIARY FUNCTION RELAY INTERFACE BOX

■ **YE-REMAUX**

2.70 lb (1.20kg)
4.9"L x 3.2"W x 2.2"H
(12.4 x 8.1 x 5.6 cm)

- Allows user to utilize the AUX1 and AUX2 buttons located on the monitor operator station
- Two relays that can operate lights, interface to a valve controller or a valve directly
- Contact rating is 16 amps @ 30VDC for resistive loads and 8 amps @ 30VDC for inductive loads
- A 10' (3 m) long 4-conductor cable for power and communication is supplied pre-connected



LED SEARCH-LIGHT KIT, 12V

■ **YE-LK12-KIT**

1.7 lb (0.8 kg)
4.30" (10.9 cm) Height

- For mounting to remote controlled EF1, Tornado and Typhoon monitors.
- 20' (6 m) cable is supplied pre-connected

VALVE KITS

Valve operation is controlled through the **Y4E-JS-52 Joystick Monitor Operator Station** or the Flow On/Off button on any TFT monitor operator station membrane switch. The interface box includes pre-wired 20' (6 m) cables with receptacles for monitor and water valve plug connections, a 15' (4.5 m) cable for power connection to monitor control system, a

panel-mounted receptacle with cap for the Y4E-JS-52 Joystick Monitor Operator Station connection, and an unused strain relief fitting for an additional operator station cable. The interface box and all fittings are sealed to keep water out so that it can be mounted outside the truck cab in a convenient location for connections to components.

1.5" NPT VALVE

■ **YE-VK-PF**

8.50 lbs (3.80 kg)

4.80"L x 7.10"W x 9.40"H
(12.20 x 18.0 x 23.9 cm)

- Heavy-duty 1.5" NPT (38 mm) water valve with female full port stainless steel ball valve with integral electric actuator control and cable with pre-wired plug
- Interface box for simplified 12/24 volt wire connections



2.0" NPT VALVE

■ **YE-VK-PH**

9.00 lb (4.00kg)

5.40"L x 7.10"W x 10.0"H
(13.70 x 18.0 x 25.4 cm)

- Heavy-duty 2.0" NPT (51 mm) water valve with female full port stainless steel ball valve with integral electric actuator control and cable with pre-wired plug
- Interface box for simplified 12/24 volt wire connections



2.5" NPT VALVE

■ **YE-VK-PJ**

23.00 lbs (13.20 kg)

6.70"L x 8.60"W x 13.70"H
(17.00 x 21.8 x 34.8 cm)

- Heavy-duty 2.5" NPT (64 mm) water valve with female full port stainless steel ball valve with integral electric actuator control and cable with pre-wired plugs
- Interface box for simplified 12/24 volt wire connections



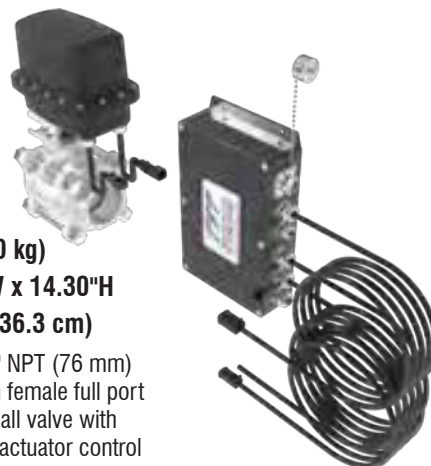
3.0" NPT VALVE

■ **YE-VK-PL**

29.00 lbs (13.20 kg)

7.40"L x 8.90"W x 14.30"H
(18.80 x 22.6 x 36.3 cm)

- Heavy-duty 3.0" NPT (76 mm) water valve with female full port stainless steel ball valve with integral electric actuator control and cable with pre-wired plugs
- Interface box for simplified 12/24 volt wire connections



Valve Interface Control Box Specifications

Weight 7.0 lb (3.1kg)

Overall Dimensions:

8.80"L x 5.80"W x 2.20"H


(22.4 x 14.7 x 5.6 cm)

(Additional clearance needed for fittings and cable)

GATEABLE VALVE KITS


Valve operation is controlled through the **Y4E-JS-GT Gateable Joystick Monitor Operator Station** or the Flow On/Off button on any TFT panel mount or tethered monitor operator station membrane switch with digital display. The interface box includes pre-wired 20' (6 m) cables with receptacles for monitor and water valve plug connections, a 15' (4.5 m) cable for power connection to monitor control system, a panel-mounted

receptacle with cap for the Y4E-JS-GT Joystick Monitor Operator Station connection, and an unused strain relief fitting for an additional operator station cable. The interface box and all fittings are sealed to keep water out so that it can be mounted outside the truck cab in a convenient location for connections to components.




**1.5" NPT
GATEABLE VALVE**
■ **YE-VKG-PF**
9.00 lb (4.00kg)
4.80"L x 7.10"W x 9.40"H
(12.2 x 18.0 x 23.9 cm)

- Heavy-duty 1.5" NPT (38 mm) water valve with female full port stainless steel ball valve with integral electric actuator control and cable with pre-wired plug
- Interface box for simplified 12/24 volt wire connections



**2.0" NPT
GATEABLE VALVE**
■ **YE-VKG-PH**
9.0 lb (4.0kg)
5.40"L x 7.10"W x 10.0"H
(13.7 x 18.0 x 25.4 cm)

- Heavy-duty 2.0" NPT (51 mm) water valve with female full port stainless steel ball valve with integral electric actuator control and cable with pre-wired plug
- Interface box for simplified 12/24 volt wire connections



**3.0" NPT
GATEABLE VALVE**
■ **YE-VKG-PL**
33.5 lb (15.2kg)
7.40"L x 8.90"W x 14.30"H
(18.8 x 22.6 x 36.3 cm)

- Heavy-duty 3.0" NPT (76 mm) water valve with female full port stainless steel ball valve with integral electric actuator control and cable with pre-wired plug
- Interface box for simplified 12/24 volt wire connections

**Valve Interface
Control Box Specifications**

Weight 7.0 lb (3.1kg)
Overall Dimensions:
8.80"L x 5.80"W x 2.20"H
(22.4 x 14.7 x 5.6 cm)
(Additional clearance needed for fittings and cable)

EXTEND-A-GUN™ VP

3" (76 mm) Pneumatic Telescoping Waterway with Valve

The latest addition to the TFT Extend-A-Gun series, the VP version offers a complete solution from TFT: monitor, nozzle, waterway, and valve! Deploy and stow operations are efficiently controlled by pneumatics and the inlet valve interlock system aids safe operations. Designed to flow up to 1,500 gpm (6000 L/min), choose from a variety of TFT monitors.

XGC38*-*

18" Extension (see chart)
54.0 lb (24.5 kg)

- Built-in safety with the interlock. It also includes a redundant manual override for deploy/stow operations for further security.
- In a single model number you can mount the gear box in one of four positions to ensure it fits your unique apparatus.
- Compatible with a variety of pumps, panels, and plumbing configurations so it's easy to install as well as service in the field.
- Installer supplied toggle switch controls on the panel keep the operator safely on the ground when deploying and stowing the monitor.

LOWERED POSITION

TRUCK DECK



EXTEND-A-GUN VP shown with Monsoon 1250 RC Monitor and Master Stream 1250S ER Nozzle
(Monitor, Nozzle and Mounting Brackets not included)

INLET	MODEL	EXTENSION	OUTLET
3" VICTAULIC (76 mm)	XGC38VL-RL	18" (45.7 cm)	TFT CODE-RLM OUTLET* (For TFT Monitors with RLF inlets)
3" VICTAULIC (76mm)	XGC38VL-XL	18" (45.7 cm)	CROSSFIRE Outlet (Monitor Top)
3" VICTAULIC (76 mm)	XGC38VL-PL	18" (45.7 cm)	3" NPT (76 mm)

* Fits inlet of Tornado RC, Hurricane RC, Typhoon RC or Monsoon RC monitors with 3" connection code-RLF.

3" (76 mm) BRACKET SET

For safe dependable service, the Extend-A-Gun MUST be securely mounted. To make the Extend-A-Gun as versatile as possible, three mounting bracket kits are offered. Each kit has a different upper bracket. The lower bracket is the same in all three.



XGB-13
10.2 lbs (4.6 kg)
Tube/Saddle



XGB-23
8.2 lbs (3.7 kg)
Plate/Saddle



XGB-33
5.0 lbs (2.3 kg)
Saddle/Saddle

EXTEND-A-GUN™ VP

3" (76 mm) Pneumatic Telescoping Waterway with Valve

Pneumatically Controlled

The deploy and stow positions are air operated and controlled by an up/down switch on the pump panel. Installers can utilize standard lines and fittings just like other pneumatic equipment on the apparatus.



Inlet Valve Interlock

The interlock prevents flowing while extending and retracting the VP. This prevents users from damaging the unit or becoming injured when deploying or stowing the system.

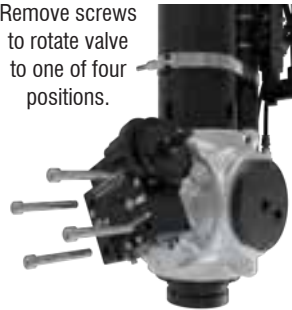


Valve Control Flexibility

The gear box can be oriented one of four ways to allow the crankshaft to face 3, 6, 9, or 12 o'clock. Position selection can easily be changed by removing four screws.

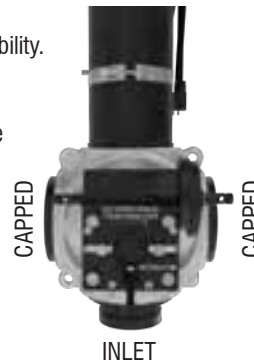


Remove screws to rotate valve to one of four positions.



Multiple Inlet Plumbing Options

The TFT valve offers unrivaled plumbing flexibility. In a single SKU, OEM's can install plumbing connection to the bottom or side of unit. The valve also allows for flexibility in height. If the outlet port for monitor needs to be higher, simply use bottom inlet. If outlet port for monitor needs to be lower, a choice of two side port options are available.



Integrated Valve

TFT has integrated a manually controlled valve that eliminates the need for a separate inline valve upstream from the Extend-A-Gun. The valve incorporates TFT's proven half ball design for longevity.

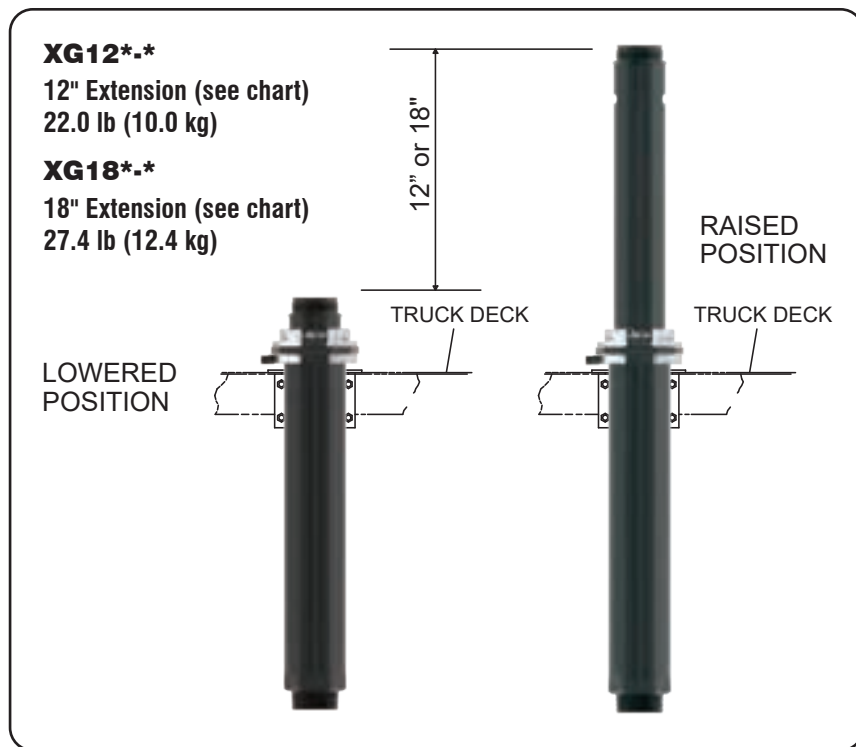


EXTEND-A-GUN™ MANUAL

3" (76 mm) Manual Telescoping Waterway

The Extend-A-Gun provides new capabilities for your deck mounted Master Stream device. For storage, it can be lowered to deck level (or even into a monitor well). On the fire ground, the monitor may be raised to its extended position (12 or 18 extra inches)(30.5 or 45.7 extra cm) by lifting the quick release and raising by hand until the non-rotating pipe locks into position. This gives greater clearance of other equipment on the

apparatus, greater freedom of movement and allows a more comfortable operating position. The Extend-A-Gun offers a full 3" (76 mm) waterway, hardcoat anodized finish, and built-in sensor for connection to "monitor raised" light or truck open compartment warning. Can be specified with new, or retrofitted to existing apparatus.



Manual EXTEND-A-GUN shown with CROSSFIRE Monitor and Master Stream 1250 Nozzle. (Monitor, Nozzle and Mounting Brackets not included)

3" (76 mm) BRACKET SET

For safe dependable service, the Extend-A-Gun MUST be securely mounted. To make the Extend-A-Gun as versatile as possible, three mounting bracket kits are offered. Each kit has a different upper bracket. The lower bracket is the same in all three.



XGB-13
10.2 lbs (4.6 kg)
Tube/Saddle



XGB-23
8.2 lbs (3.7 kg)
Plate/Saddle



XGB-33
5.0 lbs (2.3 kg)
Saddle/Saddle

CROSSFIRE OUTLET: ONLY FITS CROSSFIRE MONITOR TOP

INLET	MODEL	EXTENSION
3" TAPER PIPE MALE (76 mm)	XG12PL-XL	12" (30.5 cm)
	XG18PL-XL	18" (45.7 cm)
3" VICTAULIC (76 mm)	XG12VL-XL	12" (30.5 cm)
	XG18VL-XL	18" (45.7 cm)

OUTLET: 3" NPT (TAPER PIPE MALE) FITS ANY MONITOR TOP

INLET	MODEL	EXTENSION
3" TAPER PIPE MALE (76 mm)	XG12PL-PL	12" (30.5 cm)
	XG18PL-PL	18" (45.7 cm)
3" VICTAULIC (76 mm)	XG12VL-PL	12" (30.5 cm)
	XG18VL-PL	18" (45.7 cm)

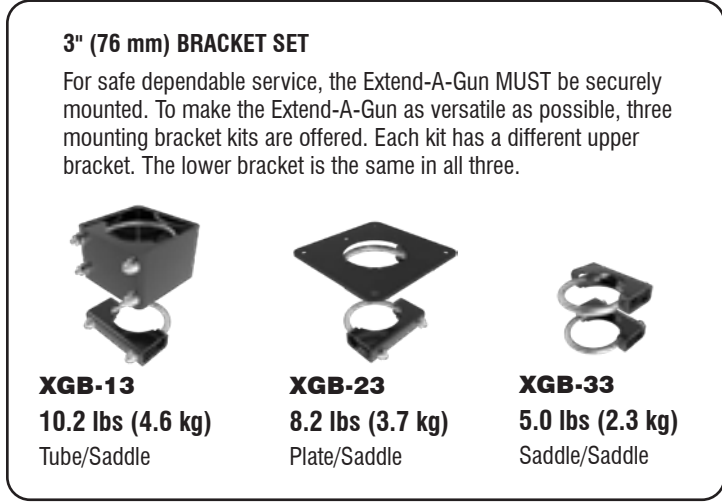
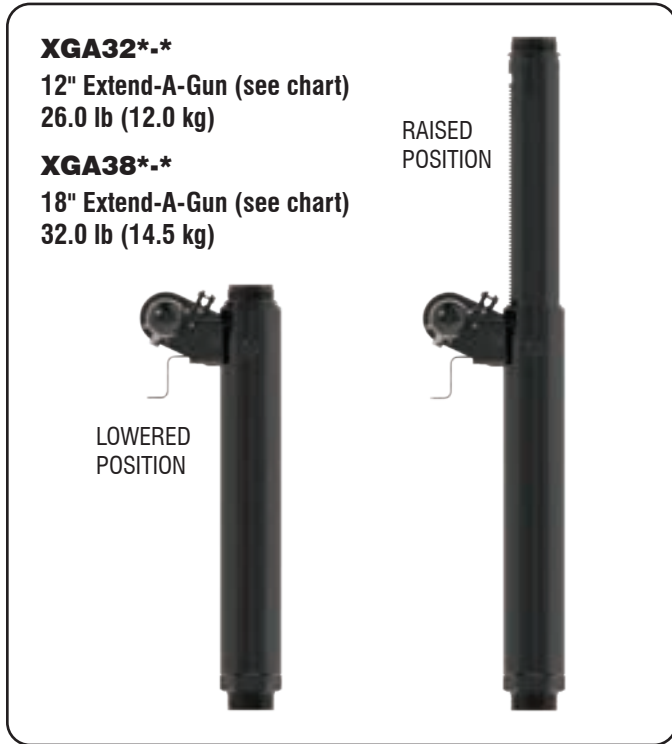
EXTEND-A-GUN™ RC3

3" (76 mm) Remote Control Telescoping Waterway



The Extend-A-Gun RC3 lets you lower your deck mounted Master Stream device to deck level for storage (or even into a well). On the fire ground, the monitor can be automatically raised to its extended position (12 or 18 extra inches) (30.5 or 45.7 extra cm) with a simple push of a button. This gives greater clearance of other equipment on the apparatus, greater freedom of movement, and keeps firefighters off the top of the trucks, thus providing a safer operating position. The Extend-A-Gun RC3 offers a 3" (76 mm) waterway, and hardcoat anodized aluminum finish. Built-in sensor for connection to "monitor raised" light or truck open compartment

warning. Connecting RC Extend-A-Gun motor control box to RC monitor communication link (blue & white wires) allows RC Extend-A-Gun operation from any monitor operator station equipped with monitor up/down button or input. Can be specified with new or retrofitted to existing apparatus. **NOTE: Extend-A-Gun RC is not compatible with other manufactures monitors. XGA-RP operator station (found in the RC Monitor and Controls Accessories section) is required if the RC Extend-A-Gun is to be installed with a TFT manual Monitor.**



- Allows the RC Extend-A-Gun to be controlled from a remote location
- Designed to be flush mounted
- Includes 12' (3.6 m) pre-connected cable

NOTE: This operator station is required if the RC Extend-A-Gun is installed with a TFT Manual Monitor. An included 6' (1.8 m) cable must be installed into the RC Extend-A-Gun interface box.

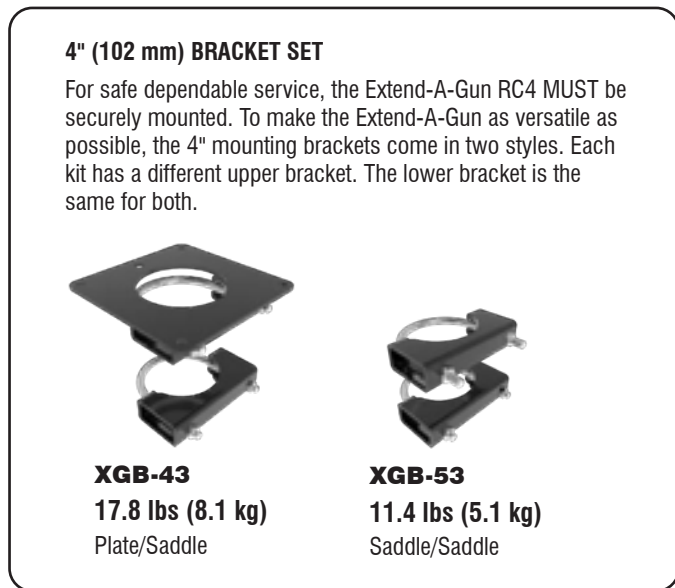
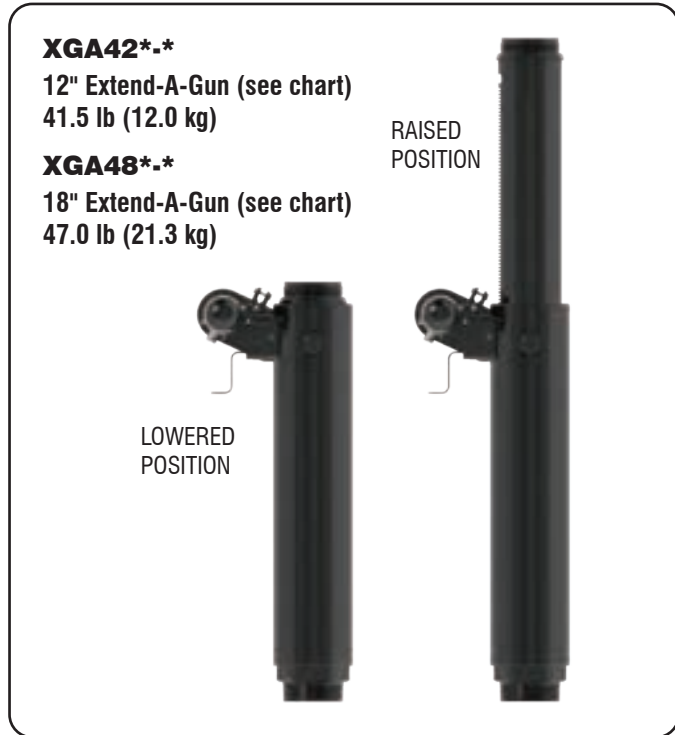
TFT CODE-RLM OUTLET*		
INLET	MODEL	EXTENSION
3" NPT (76 mm)	XGA38PL-RL	18" (45.7 cm)
3" VICTAULIC (76 mm)	XGA32VL-RL	12" (30.5 cm)
	XGA38VL-RL	18" (45.7 cm)

* Fits inlet of Tornado RC, Hurricane RC, Typhoon RC or Monsoon monitors with 3" connection code-RLF.

EXTEND-A-GUN™ RC4

4" (102 mm) Remote Control Telescoping Waterway

The Extend-A-Gun RC4 lets you lower your deck mounted Master Stream device to deck level for storage (or even into a well). On the fire ground, the monitor can be automatically raised to its extended position (12 or 18 extra inches or 30.5 or 45.7 extra cm) with a simple push of a button. This gives greater clearance of other equipment on the apparatus, greater freedom of movement, and keeps firefighters off the top of the trucks, thus providing a safer operating position. The Extend-A-Gun RC4 offers a 4" (102 mm) waterway, and hardcoat anodized aluminum finish. Built-in sensor for connection to "monitor raised" light or truck compartment



operator warning system. Connecting RC Extend-A-Gun motor control box to RC monitor communication link (blue & white wires) allows RC Extend-A-Gun operation from any monitor operator station equipped with monitor up/down button or input. Can be specified with new or retrofitted to existing apparatus. **NOTE: Extend-A-Gun RC is not compatible with other manufactures monitors. XGA-RP operator station (see RC Monitor Controls and Accessories section of the catalog) is required if the RC Extend-A-Gun is to be installed with a TFT manual Monitor.**



- Allows the RC Extend-A-Gun to be controlled from a remote location
- Designed to be flush mounted
- Includes 12' (3.6 m) pre-connected cable

NOTE: This operator station is required if the RC Extend-A-Gun is installed with at TFT Manual Monitor. An included 6' (1.8 m) cable must be installed into the RC Extend-A-Gun interface box.

TFT CODE-RLM OUTLET*		
INLET	MODEL	EXTENSION
4" VICTAULIC	XGA42VP-RP	12" (30.5 cm)
	XGA48VP-RP	18" (45.7 cm)

* Fits inlet of Hurricane RC, Typhoon RC or Monsoon RC monitors with 4" connection code-RPF.

PRESSURE RELIEF VALVES



A18 Series - TFT's PRV (pressure relief valve) operates in an adjustment range from 90 to 300 psi (6 to 21 bar) with easy to see settings of 90, 125, 150, 200, 250, and 300 psi (6, 9, 10, 14, 17 and 21 bar). Each pressure relief valve includes an OFF position. The pressure relief valve meets NFPA 1901 PRV requirements. The aluminum casting is hardcoat anodized, and TFT-powder coat finished inside and out for maximum corrosion protection. For direct use on pump flanges, the TFT pressure relief valve works with Darley, Waterous, or Hale bolt hole patterns. Relief valves are available with a plain discharge spout or 2" (51 mm) male pipe thread, 2.5" male NH (64 mm) thread, or 2.5" (64 mm) Victaulic® connection on the discharge spout. Available models include 2.5" (64 mm) NPT male threaded inlets for mounting the TFT pressure relief valve to plumbing. All A18 Series PRV's come standard with an integrated galvanic isolator for maximum corrosion resistance.



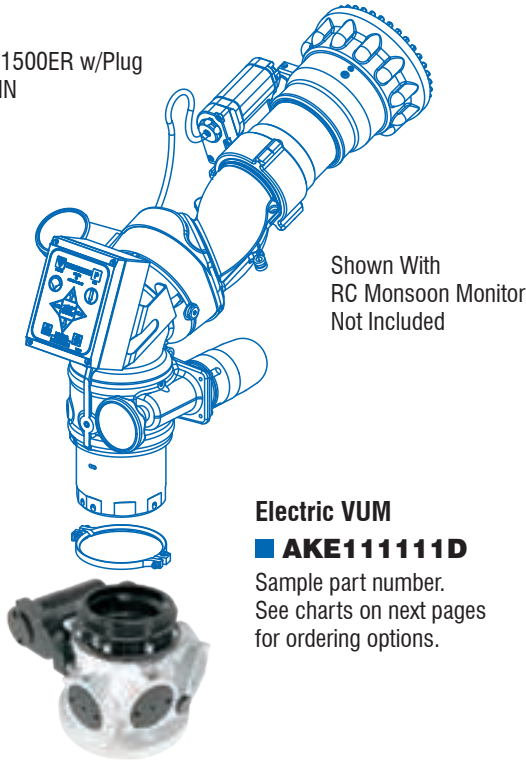
MODEL	BOLT PATTERN	DISCHARGE	HEIGHT / WIDTH / DEPTH	WEIGHT
A1810	Waterous/Hale	Plain	5.4 x 4.2 x 6.4 in (13.7 x 10.7 x 16.3 cm)	3.0 lb (1.4 kg)
A1820	Waterous/Hale	2" (51 mm) Male Pipe (NPT)	5.4 x 4.2 x 6.3 in (13.7 x 10.7 x 16.0 cm)	3.0 lb (1.4 kg)
A1830	Darley	Plain	5.4 x 4.2 x 6.4 in (13.7 x 10.7 x 16.3 cm)	3.0 lb (1.4 kg)
A1831	Waterous/Hale	2.5" (64 mm) Male Pipe (NPT)	5.4 x 4.2 x 8.0 in (11.4 x 11.4 x 16.5 cm)	3.0 lb (1.4 kg)
A1840	Darley	2" (51 mm) Male Pipe (NPT)	4.5 x 4.5 x 6.5 in (13.7 x 10.7 x 16.0 cm)	3.5 lb (1.6 kg)
A1850	Waterous/Hale	2.5" (64 mm) Victaulic Connection	5.4 x 4.2 x 7.5 in (13.7 x 10.7 x 19.1 cm)	3.5 lb (1.6 kg)
A1860	Waterous/Hale	2.5" (64 mm) NH Male	5.4 x 4.2 x 8.0 in (13.7 x 10.7 x 20.3 cm)	3.9 lb (1.8 kg)
MODEL	NATIONAL PIPE THREAD INLET	DISCHARGE	HEIGHT / WIDTH / DEPTH	WEIGHT
A1811	2.5" (64 mm) Male Pipe NPT	Plain	7.3 x 4.2 x 6.4 in (18.5 x 10.7 x 16.3 cm)	4.4 lb (2.0 kg)
A1821	2.5" (64 mm) Male Pipe NPT	2" (51 mm) Male Pipe (NPT)	7.3 x 4.2 x 7.5 in (18.5 x 10.7 x 19.1 cm)	4.4 lb (2.0 kg)

VUM VALVE UNDER MONITOR™

The Valve Under Monitor (VUM) is a lightweight, low friction-loss valve and manifold for installation directly beneath monitors on boats, ladders and platforms. The VUM combines the robust valve mechanism from the TFT Inline Valve Series with a 4" (102 mm) ANSI 150 inlet and up to four 2.5" (64 mm) outlets. The 2.5" (64 mm) outlets are available with integrated or straight or elbow valves, pressure relief valves, automatic drains, male hose threads. Maximum operating pressure is 300 psi (21 bar). When paired with a TFT monitor, the monitor flange is omitted for additional weight savings and ease of installation. Electric remote controlled (RC) models may be controlled from a dedicated panel mount

control, customer supplied switches or from TFT RC Monitor Operator Stations including wireless RC. Models are designed for 12 VDC or 24 VDC operation, selection is automatic. RC models include an interface enclosure to connect external control signals. These signals can either be hard wired or from a CANbus output module. The interface enclosure includes two relays for customer feedback of open or closed valve status. The interface enclosure is factory configured to accept +12/24 VDC signals, but can be reconfigured in field to accept ground signals. Main valve body and auxiliary valves are hard anodized aluminum alloy with silver powder coat inside and out for maximum corrosion protection.

Shown With
Masterstream 1500ER w/Plug
M-ERP1500-NN
Not Included

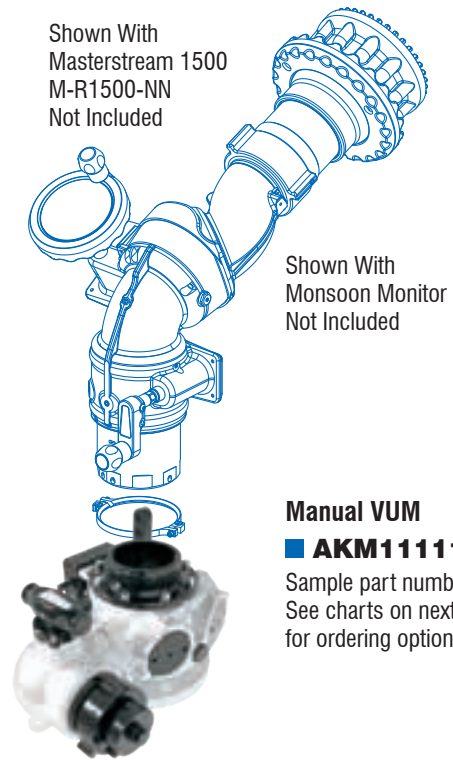


Shown With
RC Monsoon Monitor
Not Included

Electric VUM
■ **AKE11111D**

Sample part number.
See charts on next pages
for ordering options.

Shown With
Masterstream 1500
M-R1500-NN
Not Included



Shown With
Monsoon Monitor
Not Included

Manual VUM
■ **AKM111113D**

Sample part number.
See charts on next pages
for ordering options.

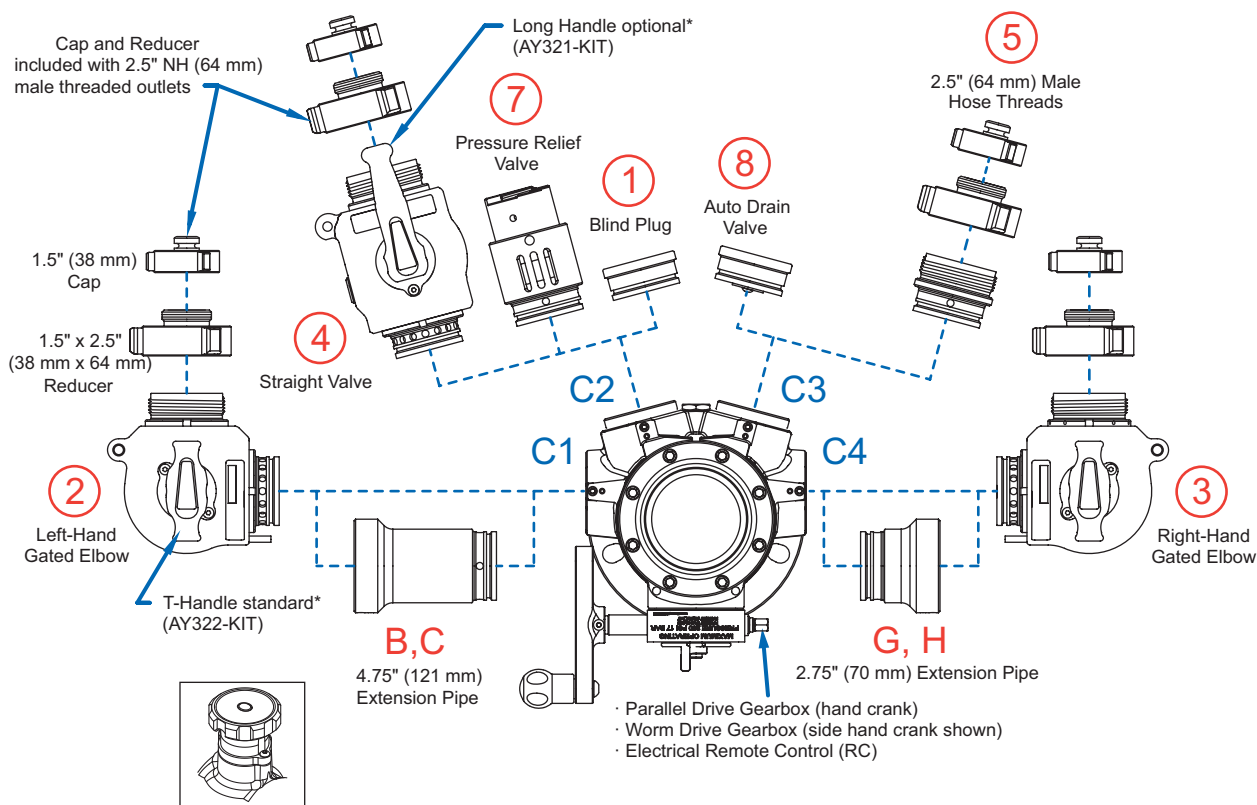
When ordering a Valve Under Monitor (VUM), choose one option from each category from the charts on the following pages.

For example: Model AKE11111D is an electric drive, ANSI 150 Inlet, CODE-RPM (TFT Monitor Outlet) with blind plugs on ports Ports C1, C2, C3, C4 and has a Ball Drain installed.

AKM111113D is side crank handle operated, ANSI 150 Inlet, CODE-RPM (TFT Monitor Outlet), with blind plugs on Ports C1, C2 and C3, a right hand gated elbow on port C4 and has a Ball Drain installed. For assistance in ordering, please call TFT and speak to a VUM specialist.

ACCEPTABLE MONITOR INSTALLATIONS (most popular models listed, others available)		
TFT CODE-RPF MONITORS WITH A HEIGHT LESS THAN 19" (48.3 cm)	FLANGED MONITORS WITH A HEIGHT LESS THAN 16" (40.6 cm)	FLANGED MONITORS WITH A HEIGHT GREATER THAN 16" (40.6 cm)
MONSOON Y4-MP1A-P-01 MONSOON Y4-EP1A-P-01 TYPHOON RC Y5-EA1A-L TYPHOON RC Y5-EP1A-L	HURRICANE XFI-FPNJ HURRICANE XFIE-FPNJ HURRICANE RC XFIH-E21A * MONSOON Y4-M21A * MONSOON Y4-T21A-Z* MONSOON RC Y4-E21A *	TYPHOON RC Y5-EB1A-L * TYPHOON RC Y5-E21A-L *
* FLANGES (4" ANSI 150 / DN100 PN16) CAN BE REMOVED FROM MOST TFT MONITORS IN ORDER TO USE THE CODE-RPM DIRECT CONNECTION.		

VUM VALVE UNDER MONITOR™



Slow Close Valve Option is available on all models. Call for additional information.

CONTACT CUSTOMER SERVICE FOR CONFIGURATIONS AND AVAILABILITY

AUXILIARY PORT SPECIFICATIONS - For Ports C1, C2, C3 C4		
Without Extension Pipe	With 4.75" (121 mm) Extension Pipe	With 2.75" (70 mm) Extension Pipe
1) Blind Plug		
2) 2.5" NH (64 mm) Gated Elbow Left-Hand*	B)	G)
3) 2.5" NH (64 mm) Gated Elbow Right-Hand*	C)	H)
4) 2.5" NH (64 mm) Straight Valve*		
5) 2.5" NH (64 mm) Male Threads (no valve)		
7) Pressure Relief Valve		
8) External Automatic Drain Valve		

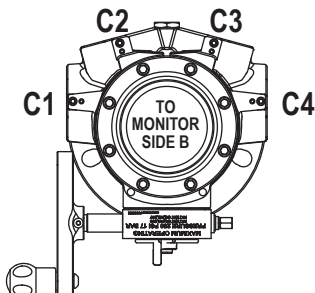
4" ANSI 150 Flange inlet is standard

OPTIONAL 3" (76 mm) Flange

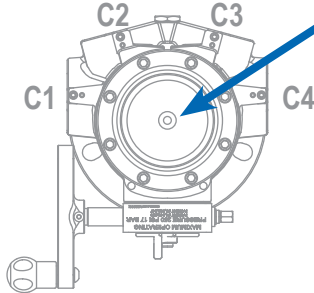
Outlet or Inlet Adapter available.

Create model number using Auxiliary Port designations on the following pages.

AUXILIARY PORT DESIGNATION



Note: Crank is factory configured on left-hand side of valve, but is field reversible for right-hand configuration.



The VUM is equipped with an internal automatic drain valve, which allows the aerial waterway to drain freely following use, even if the VUM is closed. The drain valve, located in the half ball, is designed to close automatically when pressure exceeds 5 psi (0.3 bar). When pressure drops below 5 psi (0.3 bar), the drain valve will open.

If the VUM will be installed horizontally on a ladder pipe, also specify Option 8) External Automatic Drain Valve on the auxiliary port that will be at the lowest point as-installed.

VUM VALVE UNDER MONITOR™

**CRANK HANDLE CONTROL
(WORM DRIVE GEARBOX)**

AUXILIARY PORT SPECIFICATIONS - For Ports C1, C2, C3 C4
See Diagram and Chart at the beginning of this section.



Dimensional Minimum
AKM111111D
19.3 lb (8.8 kg)
6.60" (16.8 cm) height
12.65" (32.1 cm) width
12.20" (31.0 cm) depth

Dimensional Maximum
AKM11*****
49.3 lb (22.4 kg)
6.60" (16.8 cm) height
33.20" (84.3 cm) width
24.10" (61.2 cm) depth

- Worm Drive Control
- 4" (102 mm) ANSI 150 Flange Inlet
- Code-RPM Male Threaded Outlet
- Direct connection of TFT Monitors with Code-RPF Inlet

	AUXILIARY PORTS					
AKM11 BASE MODEL	C1	C2	C3	C4	BALL DRAIN	
					D	

For each port select the number or letter options from the beginning of the VUM section. Contact TFT customer service for assistance and availability.



Dimensional Minimum
AKM121111D
20.0 lb (9.1 kg)
7.9" (20.1 cm) height
12.65" (32.1 cm) width
12.20" (31.0 cm) depth

Dimensional Maximum
AKM12*****
50.0 lb (22.7 kg)
7.9" (20.1 cm) height
33.2" (84.3 cm) width
24.1" (61.2 cm) depth

- Worm Drive Control
- 4" (102 mm) ANSI 150 Flange Inlet
- 22.5° Elbow Code-RPM Male Threaded Outlet
- Direct connection of TFT Monitors with Code-RPF Inlet

	AUXILIARY PORTS					
AKM12 BASE MODEL	C1	C2	C3	C4	BALL DRAIN	
					D	

For each port select the number or letter options from the beginning of the VUM section. Contact TFT customer service for assistance and availability.



Dimensional Minimum
AKM131111D
23.9 lb (10.8 kg)
8.7" (22.1 cm) height
12.65" (32.1 cm) width
12.20" (31.0 cm) depth

Dimensional Maximum
AKM13*****
53.9 lb (24.4 kg)
8.7" (22.1 cm) height
33.2" (84.3 cm) width
24.1" (61.2 cm) depth

- Worm Drive Control
- 4" (102 mm) ANSI 150 Flange Inlet
- 4" (102 mm) ANSI 150 Flange Outlet

	AUXILIARY PORTS					
AKM13 BASE MODEL	C1	C2	C3	C4	BALL DRAIN	
					D	

For each port select the number or letter options from the beginning of the VUM section. Contact TFT customer service for assistance and availability.

VUM VALVE UNDER MONITOR™

CRANK HANDLE CONTROL (PARALLEL DRIVE GEARBOX)



Dimensional Minimum

AKP111111D

19.3 lb (8.8 kg)

6.60" (16.8 cm) height

9.40" (23.9 cm) width

13.80" (35.1 cm) depth

Dimensional Maximum

AKP11*****

49.4 lb (22.4 kg)

6.6" (16.8 cm) height

33.2" (84.3 cm) width

25.7" (65.3 cm) depth

- Parallel Drive Valve Control
- 4" (102 mm) ANSI 150 Flange Inlet
- Code-RPM Male Threaded Outlet
- Direct connection of TFT Monitors with Code-RPF Inlet

	AUXILIARY PORTS				
AKP11 BASE MODEL	C1	C2	C3	C4	BALL DRAIN
					D

For each port select the number or letter options from the beginning of the VUM section. Contact TFT customer service for assistance and availability.



Dimensional Minimum

AKP121111D

19.3 lb (8.8 kg)

7.9" (20.1 cm) height

9.4" (23.9 cm) width

13.8" (35.1 cm) depth

Dimensional Maximum

AKP12*****

50.1 lb (22.7 kg)

7.9" (20.1 cm) height

33.2" (84.3 cm) width

25.7" (65.3 cm) depth

- Parallel Drive Valve Control
- 4" (102 mm) ANSI 150 Flange Inlet
- 22.5° Elbow Code-RPM Male Threaded Outlet
- Direct connection of TFT Monitors with Code-RPF Inlet

	AUXILIARY PORTS				
AKP12 BASE MODEL	C1	C2	C3	C4	BALL DRAIN
					D

For each port select the number or letter options from the beginning of the VUM section. Contact TFT customer service for assistance and availability.

CRANK HANDLE CONTROL
(PARALLEL DRIVE GEARBOX)

AUXILIARY PORT SPECIFICATIONS - For Ports C1, C2, C3 C4
See Diagram and Chart at the beginning of this section.



Dimensional Minimum

AKP131111D

23.9 lb (10.8 kg)

8.7" (22.1 cm) height

9.4" (23.9 cm) width

13.8" (35.1 cm) depth

Dimensional Maximum

AKP13*****

53.9 lb (24.4 kg)

8.7" (22.1 cm) height

33.2" (84.3 cm) width

25.7" (65.3 cm) depth

- Parallel Drive Valve Control
- 4" (102 mm) ANSI 150 Flange Inlet
- 4" (102 mm) ANSI 150 Flange Outlet

	AUXILIARY PORTS				
AKP13 BASE MODEL	C1	C2	C3	C4	BALL DRAIN
					D

For each port select the number or letter options from the beginning of the VUM section. Contact TFT customer service for assistance and availability.

VUM VALVE UNDER MONITOR™

ELECTRIC REMOTE CONTROL (RC)

AUXILIARY PORT SPECIFICATIONS - For Ports C1, C2, C3 C4
See Diagram and Chart at the beginning of this section.



Dimensional Minimum
AKE111111D
23.7 lb (10.8 kg)
6.6" (16.8 cm) height
10.3" (26.2 cm) width
12.9" (32.8 cm) depth

Dimensional Maximum
AKE11*****
53.7 lb (24.4 kg)
6.6" (16.8 cm) height
33.2" (84.3 cm) width
24.1" (61.2 cm) depth

- Electric Valve Control with Manual Override
- 4" (102 mm) ANSI 150 Flange Inlet
- Code-RPM Male Threaded Outlet
- Direct connection of TFT Monitors with Code-RPF Inlet



Includes Interface Enclosure

	AUXILIARY PORTS				
AKE11 BASE MODEL	C1	C2	C3	C4	BALL DRAIN
					D

For each port select the number or letter options from the beginning of the VUM section. Contact TFT customer service for assistance and availability.



Dimensional Minimum
AKE121111
24.4 lb (11.1 kg)
7.9" (20.1 cm) height
10.3" (26.2 cm) width
12.9" (32.8 cm) depth

Dimensional Maximum
AKE12*****
54.4 lb (24.7 kg)
7.9" (20.1 cm) height
33.2" (84.3 cm) width
24.1" (61.2 cm) depth

- Electric Valve Control with Manual Override
- 4" (102 mm) ANSI 150 Flange Inlet
- 22.5° Elbow Code-RPM Male Threaded Outlet
- Direct connection of TFT Monitors with Code-RPF Inlet



Includes Interface Enclosure

	AUXILIARY PORTS				
AKE12 BASE MODEL	C1	C2	C3	C4	BALL DRAIN
					D

For each port select the number or letter options from the beginning of the VUM section. Contact TFT customer service for assistance and availability.

VUM VALVE UNDER MONITOR™

ELECTRIC REMOTE CONTROL (RC)

AUXILIARY PORT SPECIFICATIONS - For Ports C1, C2, C3 C4
See Diagram and Chart at the beginning of this section.



Dimensional Minimum
AKE131111D
28.2 lb (12.8 kg)
8.7" (22.1 cm) height
10.3" (26.2 cm) width
12.9" (32.8 cm) depth

Dimensional Maximum
AKE13*****
58.2 lb (26.4 kg)
8.7" (22.1 cm) height
33.2" (84.3 cm) width
24.1" (61.2 cm) depth

- Electric Valve Control with Manual Override
- 4" (102 mm) ANSI 150 Flange Inlet
- 4" (102 mm) ANSI 150 Flange Outlet



Includes Interface Enclosure

AKE13 BASE MODEL	AUXILIARY PORTS				BALL DRAIN
	C1	C2	C3	C4	
					D

For each port select the number or letter options from the beginning of the VUM section. Contact TFT customer service for assistance and availability.



POWER CONDITIONER FOR RC MONITORS

The full line of Controllers and Accessories can be found in the RC Monitor Controllers and Accessories section.

MODEL	DESCRIPTION	LENGTH	WEIGHT
YE-PWR-COND	Power Conditioner that Easily connects in-line to maintain clean power to monitor or VUM.	8" L x 3.5" W x 2.5" H (20.3 x 8.9 x 6.4)	1.86 lbs. (844 gr)



REMOTE CONTROL ACCESSORIES FOR VUM VALVE UNDER MONITOR

The full line of Remote Control Accessories can be found in the Remote Control Accessories section.

MODEL	DESCRIPTION	LENGTH	WEIGHT
YE-CAN2	MULTIPLEX ADAPTER FOR RC MONITOR AND VUM	5.40" L x 1.64" W x 1.36" H (13.7 x 4.2 x 3.5 cm)	3.0 oz (85 gr)
YE-1F3M	MONITOR HARNESS Easily connect your TFT RC Monitor and VUM	5.4" L x 2.5" W x 1.4" H (13.7 x 6.4 x 3.6 cm)	1.7 lbs (.77 kg)
YE-CAB-6	EXTENSION CABLE Six feet, four conductor extension cable with Deutsch male and female connectors installed.	6' (1.8 m)	0.55 lbs (.25 kg)

IVUM INDUSTRIAL VALVE UNDER MONITOR™

The 4" (102 mm) Industrial Valve Under Monitor (IVUM) is a robust, low friction loss slow close valve intended for installation directly beneath monitors on standpipes with 4" (102 mm) ANSI 150 or DN 100 PN16 flange connections. Maximum operation pressure is 300 psi (21 bar). Dual reflective valve position indicators allow 360° visual confirmation from a distance in most light conditions. The inlet flange, half ball and valve seat retainer are available in either hard anodized aluminum or stainless steel.

All models are equipped with an external automatic drain valve to fully drain the monitor and valve body after use, thus minimizing susceptibility to damage from corrosion and freezing water. An optional internal automatic drain valve located within the half ball allows the standpipe to draw atmospheric air to facilitate draining, even while the half ball is closed. It is beneficial in applications where the standpipe will typically be drained following use, especially where freezing conditions are a concern.

SIDE B




Dimensional Maximum ZAA**

23.7 lb (10.8 kg)

10.1" (25.7 cm) Height

11.7" (29.7 cm) Width

11.6" (29.5 cm) Depth

- Hand crank valve control
- Dual reflective valve position indicators
- FM Approved for use with FM Approved Monitors

SIDE B




Dimensional Maximum ZAS**

35.0 lb (15.9 kg)

10.1" (25.7 cm) height

11.7" (29.7 cm) width

11.6" (29.5 cm) depth

- Hand crank valve control
- Dual reflective valve position indicators
- FM Approved for use with FM Approved Monitors

Aluminum 4" (102 mm) ANSI 150/DN100 PN16 Inlet		
MODEL	DRAIN OPTION	SIDE B OUTLET
ZAAD3	Additional Drain in Half Ball	4" (102 mm) ANSI 150 / DN100 PN16 Flange
ZAAZ3	External Drain Only	4" (102 mm) ANSI 150 / DN100 PN16 Flange

Stainless Steel 4" (102 mm) ANSI 150/DN100 PN16 Inlet		
MODEL	DRAIN OPTION	SIDE B OUTLET
ZASD3	Additional Drain in Half Ball	4" (102 mm) ANSI 150 / DN100 PN16 Flange
ZASZ3	External Drain Only	4" (102 mm) ANSI 150 / DN100 PN16 Flange
ZASZX	External Drain Only	Code - RRF for integrated connection to monitors with RRM base

■ **AA9FL-FP** Aluminum SIDE A adapter to use ZAA models on 3" (76 mm) ANSI 150 standpipes. Height is 2" (51 mm). Not recommended for ZAS models.

BIV BALL INTAKE VALVE™

Manual and Remote Control

- Easy Model Selection
- 10-Year Warranty
- High Flow, Low Friction Loss
- Configurations To Meet Your Needs

The Jumbo BIV features choice of side handwheel or top crank, or electric remote actuation. Available with standard air bleeder/drain valve, with or without a pressure relief valve. The detent swivel elbow inlet can free swivel or lock into any one of eight positions. Also available without elbow for a shorter installation. The larger water way on the Jumbo and Jumbo Low Profile BIV has improved flow efficiency, resulting in high flows when drafting, when supplied from a hydrant or during relay pumping operations.

The Jumbo Low Profile is available with the operating crank or electric motor on the left or right side. The manually operated valves can be ordered with the front crank, or for very limited space such as behind a roll up door, top crank

Choose this series for best performance in tight profile pump panels.



	AXE-F Series	AXD-T Series	AXE-T Series	AXD-T Series
Jumbo Low Profile Ball Intake Valve <ul style="list-style-type: none"> • 10 Year Warranty • High Flow 5.25" Waterway • Left or Right Crank Location • Top or Front Hand Crank Location • Electric Remote with Manual Override Knob • With or Without Easily Adjustable Pressure Relief Valve • Air Bleeder / Self Draining 				
	Description Low Profile Elbow, Front Crank, PRV Dim Max 14.7"H, 13.8"W, 12.3"D	Description Low Profile Elbow, Top Crank, PRV Dim Max 16.6"H, 13.8"W, 11.3"D	Description Low Profile Elbow, Top Crank, PRV Dim Max 16.6"H, 13.8"W, 11.3"D	Description Low Profile Elbow, Top Crank, PRV Dim Max 16.6"H, 13.8"W, 11.3"D

Choose this series for best performance.



	AX Series	AX-PS Series	AP Series	AP-PS Series
Jumbo Ball Intake Valve <ul style="list-style-type: none"> • 10 Year Warranty • High Flow 5.25" Waterway • Left or Right Handwheel • Top Hand Crank Location • Electric Remote with Manual Override Knob • With or Without Easily Adjustable Pressure Relief Valve • Drain Valve / Air Bleeder 				
	Description Elbow, Handwheel, PRV Dim Max 17.8"H, 14.0"W, 15.5"D	Description Elbow, Top Crank, PRV Dim Max 18.8"H, 11.5"W, 15.5"D	Description No Elbow, Handwheel, PRV Dim Max 17.4"H, 13.4"W, 12.9"D	Description No Elbow, Top Crank, PRV Dim Max 18.7"H, 11.2"W, 12.9"D

BIV BALL INTAKE VALVE™

Manual and Remote Control

models can be ordered. Options for with or without pressure relief valve are also available. The air bleeder is standard and the Jumbo Low Profile is self-draining.

All valves have a valve position indicator to show when the valve is open, closed or in between. Valves are made from hardcoat aluminum that is powder coated inside and out for superior corrosion protection. The aluminum alloy half ball and seat retainers of all valves have a corrosion resistant coating for additional corrosion protection. A polymer bearing strip joins the couplings to the valve allowing easy swiveling, and electrically isolates the valve to reduce the chance of galvanic corrosion. Both the Jumbo and Jumbo Low Profile valves have a 10 Year Warranty. Contact TFT customer service for special industrial configurations not shown.

AZD-F Series	AZD-T Series	AZE-T Series	AZD-T Series	AXD-RC Series	AXE-RC Series
					
<p>Description Low Profile Elbow, Front Crank, No PRV</p> <p>Dim Max 16.6"H, 13.4"W, 12.3"D</p>	<p>Description Low Profile Elbow, Top Crank, No PRV</p> <p>Dim Max 16.6"H, 13.4"W, 11.3"D</p>	<p>Description Low Profile Elbow, Top Crank, No PRV</p> <p>Dim Max 16.6"H, 13.4"W, 11.3"D</p>	<p>Description Low Profile Elbow, Top Crank, No PRV</p> <p>Dim Max 16.6"H, 13.4"W, 11.3"D</p>	<p>Description Low Profile Elbow, Electric, PRV</p> <p>Dim Max 13.5"H, 15.6"W, 11.3"D</p>	<p>Description Low Profile Elbow, Electric, PRV</p> <p>Dim Max 13.5"H, 15.6"W, 11.3"D</p>

AZ Series	AZ-PS Series	AQ Series	AQ-PS Series	AX-RC Series	AP-RC Series
					
<p>Description Elbow, Handwheel, No PRV</p> <p>Dim Max 12.7"H, 13.4"W, 16.1"D</p>	<p>Description Elbow, Top Crank, No PRV</p> <p>Dim Max 14.6"H, 11.2"W, 16.1" D</p>	<p>Description No Elbow, Handwheel, No PRV</p> <p>Dim Max 12.7"H, 13.8"W, 12.1"D</p>	<p>Description No Elbow, Top Crank, No PRV</p> <p>Dim Max 14.6"H, 11.2"W, 12.1"D</p>	<p>Description Elbow, Electric, PRV</p> <p>Dim Max 17.9"H, 11.2"W, 16.1"D</p>	<p>Description No Elbow, Electric, PRV</p> <p>Dim Max 17.9"H, 11.2"W, 12.1"D</p>

The smallest most compact BIV available can be found in the New Force section of the catalog.

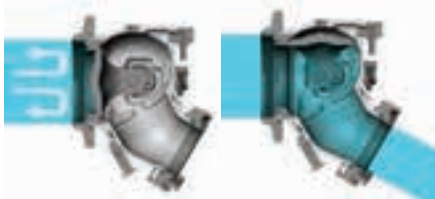
BIV BALL INTAKE VALVE™

Manual and Remote Control

TFT's BIV's are the ideal alternative to master intake valves integrated into the apparatus pump system because they eliminate the need for apparatus to be taken out of service for repair or maintenance of an intake valve. Units are constructed of lightweight, hard anodized and powder coated aluminum alloy. The aluminum alloy half ball has a corrosion resistant coating for additional corrosion protection. In addition, hose couplings and truck connections are attached to the valve using polymer bearing rings which provide electrical isolation to help prevent galvanic corrosion. Models are available with a choice of manual or remote controls, a fast acting pressure relief valve, and a unique swiveling inlet.



**JUMBO
LOW PROFILE BIV
■ AXD1ST-NX-T**



Unique Valve Design

When the BIV is closed, the water stays on the pump side so the inside of your valve is dry at all times. When the BIV is open, the valve completely swings out of the way and provides high flow, because of the unobstructed waterway.



Hundreds of Configurations

TFT offers a BIV solution for every application. Options include handle placement, inlet/outlet sizes, body profile, pressure relief, and remote control. Design your BIV to fit your unique apparatus.



High Flow to Your Pump

The unobstructed 5.25" (133 mm) waterway on Jumbo BIV has only 3 psi of loss at 2000 gpm (0.2 bar @ 7600 l/min) with a 6" (152 mm) coupling.

For additional information on Ball Intake Valve's visit TFT.com.

JUMBO BIV BALL INTAKE VALVE™



AX Series - TFT's Jumbo Ball Intake valve has a huge 5.25" (133 mm) diameter waterway giving low friction loss to maximize flow. Friction loss is 3 psi at 2000 gpm (0.2 bar at 7570 l/min). Designed for use with 4, 4.5, 5 or 6" (102, 114, 127, or 152 mm) hose. The 30° intake elbow swivels 360° and has multiple positive detents. Make hose connections in any direction with minimal kinks and coupling stress. Designed for pressure or vacuum service. Maximum operating pressure is 250 psi (17 bar). Meets 900 psi (62 bar) hydrostatic strength test. The aluminum castings are hardcoat anodized, and TFT-powder coat finished inside and out for maximum corrosion protection. All the components on the wet side of the valve are made of hardcoat anodized aluminum alloy with corrosion resistant coating for additional corrosion protection. The handwheel or handcrank needs 7-½ turns to close, meeting NFPA slow close requirements. There is a unique position indicator that shows the operator if the valve is open, closed or somewhere in between. The unit comes equipped with a rugged 3/4" (19 mm) drain valve to quickly drain water from the valve housing. A port for an optional air bleed valve is incorporated into the design for user friendly configurability. Hose coupling and truck connections are attached to the valve using polymer bearing rings which provide electrical isolation to help prevent galvanic corrosion.

Includes TFT's adjustable pressure relief valve with a discharge that can be directed one of four ways and meets NFPA 1901. Contact TFT customer service for special industrial configurations not shown. Pressure Loss Chart is located at the end of catalog.

The Jumbo Intake Valve series includes a 10-year warranty against manufacturing defects and corrosion that affects the valve's operational performance.

- Storz couplings are shipped with a pressure gasket installed. A suction gasket is available upon request for drafting operations
- To change a Storz from rigid to full-time swivel, back out the lockout screw until the coupling moves freely. Refer to the diagram found in the Technical Data section of the catalog.
- All 6" Storz couplings have an adjustable seal compression feature
- AX Models - Hand wheel installed on right side and can be easily switched to left side
- AP Models - Do not have 30° swiveling intake elbow
- To add an additional Vent/Drain for the Jumbo BIV order A1621-KIT

See chart on next page for model number ordering information.



AX Series
Dimensional Maximum
AX1ST-NX
31.5 lbs (14.3 kg)
16.80" (42.7 cm) Height
13.30" (33.8 cm) Width
15.50" (39.4 cm) Depth



AP Series
Dimensional Maximum
AP1SX-NX
35.2 lb (16.0 kg)
17.4" (44.2 cm) Height
13.4" (34.0 cm) Width
12.9" (32.8 cm) Depth



AX*-PS Series
Dimensional Maximum
AX1ST-NX-PS
31.5 lbs (14.3 kg)
18.80" (47.8 cm) Height
11.20" (28.4 cm) Width
15.50" (39.4 cm) Depth



AP*-PS Series
Dimensional Maximum
AP1SX-NX-PS
35.2 lbs (16.0 kg)
12.70" (32.3 cm) Height
14.00" (35.6 cm) Width
12.20" (31.0 cm) Depth

Adapters for 4" or 4.5" NH (102 or 114 mm) pump inlets.

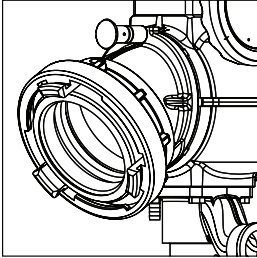
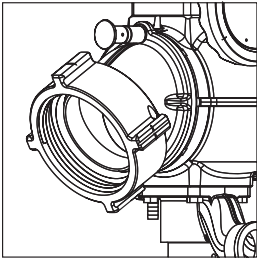
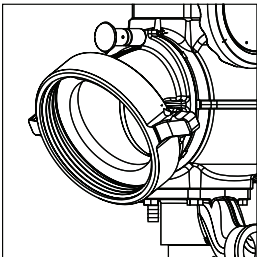
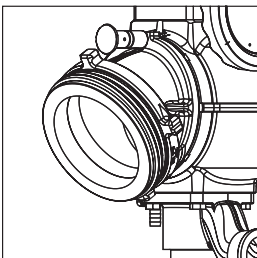
	4" NH (102 mm) Pump Inlet Adapter	4.5" NH (114 mm) Pump Inlet Adapter
6" NH (152 mm) Threaded Male	AA9NX-NP	AA9NX-NR

RC versions can be found in upcoming pages in this section. Pressure Relief Valve information can be found in the Valves section of the catalog.

Suction Screen information can be found in the Technical Data section of the catalog.

Caps and Plugs can be found in the Adapter section of catalog.

JUMBO BIV BALL INTAKE VALVE™

AX / AP / AQ / AZ (CHOOSE BELOW)	SIDE B (CHOOSE BELOW)		— (DASH INCLUDED)	SIDE A (CHOOSE BELOW)	— (DASH INCLUDED)	OPTION (CHOOSE BELOW)
			—		—	
AX) Angled Intake Elbow AP) No Intake Elbow AQ) No Intake Elbow No PRV AZ) Angled Intake Elbow No PRV	1SP) 4.0" (102 mm) Storz 1ST) 5.0" (127 mm) Storz 1SX) 6.0" (152 mm) Storz			NP) 4.0" (102 mm) Long Handle Female Coupling NR) 4.5" (114 mm) Long Handle Female Coupling NT) 5.0" (127 mm) Long Handle Female Coupling NX) 6.0" (152 mm) Female Threaded Swivel NY) 8.0" (203 mm) Female Threaded Swivel ST) 5.0" (127 mm) Storz SX) 6.0" (152 mm) Storz+		PS) Parallel Shaft Include if you want the Parallel Shaft top crank instead of the Hand Wheel. Leave blank for Hand Wheel
	7NP) 4.0" (102 mm) Female Threaded Swivel Rocker					
	7HNP) 4.0" (102 mm) Female Threaded Swivel Handle					
	8NP) 4.0" (102 mm) Male Threaded Rigid 8NR) 4.5" (114 mm) Male Threaded Rigid 8NT) 5.0" (127 mm) Male Threaded Rigid 8NX) 6.0" (152 mm) Male Threaded Rigid					

		-		-	
--	--	---	--	---	--

(Choose Style AX, AP, AQ or AZ, Side B/Side A and operator option from table)

AX	7NP	-	NX	-	
-----------	------------	---	-----------	---	--

Example 1: 30° inlet elbow, with PRV, with 4.0" (102 mm) rocker lug female swivel on Side B and 6.0" NH (152 mm) handle female swivel on Side A with hand wheel control would be AX7NP-NX

AP	1SP	-	NX	-	PS
-----------	------------	---	-----------	---	-----------

Example 2: Straight inlet, with PRV, with 4.0" (102 mm) Storz on Side B and 6.0" NH (152 mm) handle female swivel on Side A with top crank control would be AP1SP-NX-PS

Please contact customer service for assistance in ordering.

JUMBO LOW PROFILE BIV BALL INTAKE VALVE™



AXD Series – TFT’s Jumbo Low Profile Ball intake valve has a huge 5.25" (133 mm) diameter waterway giving low friction loss to maximize flow. Designed for use with 4, 4.5, 5 or 6" (102, 114, 124, or 152 mm) hose. The 30° intake elbow swivels 360°, has multiple positive detents. Make hose connections in any direction with minimal kinks and coupling stress. The valve is designed for pressure or vacuum service. Maximum operating pressure is 250 psi (17 bar). Meets 900 psi (62 bar) hydrostatic strength test. Seven and a half turns of the hand crank to close the valve meets NFPA slow close requirements. A reflective position indicator clearly shows the operator the valve’s position. The handcrank can be specified to operate in the front or the top of the valve to maximize clearance. A rugged ¼-turn air vent at the top of the valve allows air to be bled quickly. TFT’s adjustable Pressure Relief Valve (PRV) is installed with the discharge pointing downward and meets NFPA 1901. All wetted components are aluminum alloys to prevent galvanic corrosion, and are specially coated for additional corrosion protection. Hose coupling and

truck connections are attached to the valve using polymer bearing rings which can provide electrical isolation to help prevent galvanic corrosion. The Jumbo Low Profile Ball Intake Valve is covered by a 10 year warranty. Contact TFT customer service for configurations not shown. Friction loss is 5 psi at 2000 gpm (0.3 bar at 7570 l/min); Pressure Loss Chart is located at the end of catalog.

- Storz couplings are shipped with a pressure gasket installed. A suction gasket is available upon request for drafting operations
- To change a Storz from rigid to full-time swivel, back out the lockout screw until the coupling moves freely. Refer to the diagram found in the Technical Data section of the catalog.
- All 6" Storz couplings have an adjustable seal compression feature
- The aluminum castings are hardcoat anodized, and TFT Powder Coat finished inside and out for maximum corrosion protection.
- Cap lanyard anchor point is standard

See chart on next page for model number ordering information.

SIDE A SWIVEL



SIDE B

LEFT FRONT CRANK SHOWN
SAMPLE PART NUMBER

■ **AXD1ST-NX-F**

Front crank models open / close opposite all our other intakes.

SIDE A SWIVEL



SIDE B

RIGHT TOP CRANK SHOWN
SAMPLE PART NUMBER

■ **AXE1ST-NX-T**

Dimensional Maximum
AXD7HNP-NX-T
26.8 lbs (12.2 kg)
14.7" (37.3 cm) Height
13.8" (35.1 cm) Width
11.3" (28.7 cm) Depth

Adapters for 4" or 4.5" NH (102 or 114 mm) pump inlets.

	4" NH (102 mm) Pump Inlet Adapter	4.5" NH (114 mm) Pump Inlet Adapter
6" NH (152 mm) Threaded Male	AA9NX-NP	AA9NX-NR

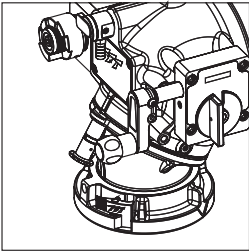
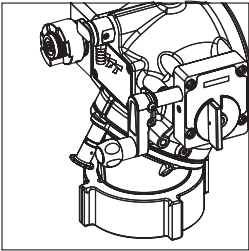
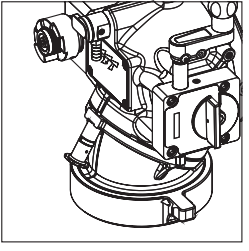
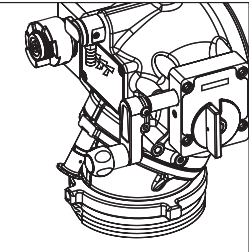
RC versions can be found in upcoming pages in this section.

Pressure Relief Valve information can be found in the Valves section of the catalog.

Suction Screen information can be found in the Technical Data section of the catalog.

Caps and Plugs can be found in the Adapter section of catalog.

JUMBO LOW PROFILE BIV BALL INTAKE VALVE™

AXD / AXE AZD / AZE (CHOOSE BELOW)	SIDE B (CHOOSE BELOW)		— (DASH INCLUDED)	SIDE A (CHOOSE BELOW)	— (DASH INCLUDED)	CRANK POSITION (CHOOSE BELOW)	
			—		—		
AXD) Crank Side Left AXE) Crank Side Right AZD) Crank Side Left No PRV AZE) Crank Side Right No PRV	1SP) 4.0" (102 mm) Storz 1ST) 5.0" (127 mm) Storz 1SX) 6.0" (152 mm) Storz			NR) 4.5" (114 mm) Long Handle Female Coupling NT) 5.0" (127 mm) Female Threaded Swivel NX) 6.0" (152 mm) Female Threaded Swivel NY) 8.0" (203 mm) Female Threaded Swivel ST) 5.0" (127 mm) Storz		F) Front Crank T) Top Crank	
	7NP) 4.0" (102 mm) Female Threaded Swivel Rocker						
	7HNP) 4.0" (102 mm) Female Threaded Swivel Handle						
	8NP) 4.0" (102 mm) Male Threaded Rigid 8NR) 4.5" (114 mm) Male Threaded Rigid 8NT) 5.0" (127 mm) Male Threaded Rigid 8NX) 6.0" (152 mm) Male Threaded Rigid						

A** (XD, XE, ZD, or ZE)		-		-	
--------------------------------------	--	---	--	---	--

(Choose left or right, side B, side A, and crank position options from table)

AXD	7NP	-	NX	-	F
------------	------------	---	-----------	---	----------

Example: A Left 4.0" (102 mm) Rocker Lug Female Swivel on Side B to a 6.0" NH (152 mm) Female Swivel on Side A with front crank and PRV would be AXD7NP-NX-F.

Please contact customer service for assistance in ordering.

BIV JUMBO BALL INTAKE VALVE™ RC



- Easy Model Selection
- 10-Year Warranty
- High Flow, Low Friction Loss
- Configurations To Meet Your Needs

The Jumbo Ball Intake Valve RC is an electric remote controlled valve with all the benefits of TFT's Jumbo Ball Intake Valve with the addition of powered operation. A handwheel is installed on the drive shaft for immediate manual override. Designed for 12 or 24 VDC operation, selection is automatic. The motor control circuit uses an encoder and current limiting to protect the drive train at the ends of travel. The panel mounted control box allows for remote operation and contains an LED display showing valve position. Unit comes with a panel mounted quick connect plug for the connection between the valve and control box. Electric drive and control box are waterproof. Mechanical installation consists of attaching the valve to the pump, mounting the control box and quick connect electric plug. Six seconds from open to close, meets NFPA 1901 slow close requirement. The unit comes equipped with a rugged 3/4" (19 mm) drain valve to quickly drain water from the valve housing.

A port for an optional air bleed valve is incorporated into the design for user friendly configurability. Contact TFT customer service for configurations not shown. Pressure Loss Chart can be found in the Technical Data section of the catalog.

- Storz couplings are shipped with a pressure gasket installed. A suction gasket is available upon request for drafting operations
- To change a Storz from rigid to full-time swivel, back out the lockout screw until the coupling moves freely. Refer to the diagram found in the Technical Data section of the catalog.
- To add an additional Vent/Drain for the Jumbo BIV order A1621-KIT
- For additional control heads to operate valve from other location, refer to the RC Monitor Controls and Accessories section of the catalog.

See chart on next page for model number ordering information.



Dimensional Maximum

AX1ST-NX-RC

39.5 lbs (17.9 kg)

17.80" (45.2 cm) Height

11.20" (28.4 cm) Width

15.40" (39.1 cm) Depth

- Control box has five LEDs to show position of the valve
- Buttons for valve open, stop, close
- Can be quickly and easily set for manual (jog) or automatic (full travel) modes
- Pump panel electrical receptacle fitting with 15' (4.6 m) cable included
- Quick connect plug to panel receptacle allows easy removal of valve

Adapters for 4" or 4.5" NH (102 or 114 mm) pump inlets.

	4" NH (102 mm) Pump Inlet Adapter	4.5" NH (114 mm) Pump Inlet Adapter
6" NH (152 mm) Threaded Male	AA9NX-NP	AA9NX-NR

See previous pages in this section for more information and a descriptive model matrix.

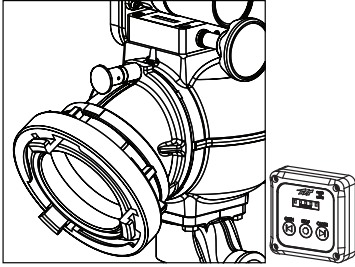
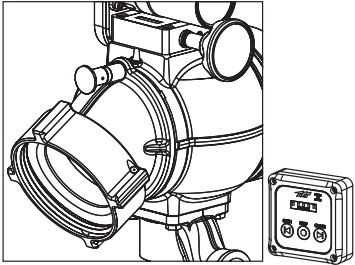
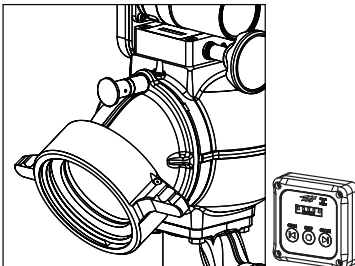
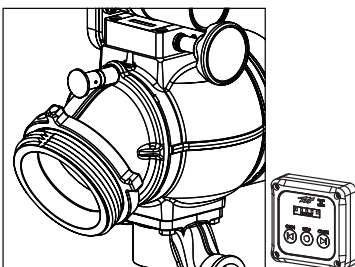
Pressure Relief Valve information can be found in the Valves section of the catalog.

Suction Screen information can be found in the Technical Data section of the catalog.

Caps and Plugs can be found in the Adapter section of catalog.

If a Pressure Relief Valve (PRV) is not required, substitute the part number prefix AX with AZ or AP with AQ. AZ or AQ denotes no PRV.

BIV JUMBO BALL INTAKE VALVE™ RC

AX / AP / AQ / AZ (CHOOSE BELOW)	SIDE B (CHOOSE BELOW)		— (DASH INCLUDED)	SIDE A (SUFFIX INCLUDED)	— (DASH INCLUDED)	RC (SUFFIX INCLUDED)
			—	NX	—	RC
AX) Angled Intake Elbow AP) No Intake Elbow AQ) No Intake Elbow No PRV AZ) Angled Intake Elbow No PRV	1SP) 4.0" (102 mm) Storz 1ST) 5.0" (127 mm) Storz 1SX) 6.0" (152 mm) Storz			NX) 6.0" (152 mm) Female Threaded Swivel		
	7NP) 4.0" (102 mm) Female Threaded Swivel					
	7HNP) 4.0" (102 mm) Threaded Swivel Handle					
	8NP) 4.0" (102 mm) Male Threaded Rigid 8NT) 5.0" (127 mm) Male Threaded Rigid 8NX) 6.0" (152 mm) Male Threaded Rigid					

AX		-		-	RC
-----------	--	---	--	---	-----------

(Choose Side B/Side A suffix from table)

AX	1ST	-	NX	-	RC
-----------	------------	---	-----------	---	-----------

Example: 30° inlet elbow, with PRV, 5.0" (127 mm) Storz on Side B to a 6.0" NH (152 mm) Female Swivel on Side A would be AX1ST-NX-RC.

+ All 6" Storz couplings have an adjustable seal compression feature.

BIV JUMBO LOW PROFILE BALL INTAKE VALVE™ RC



AXD Series – The Jumbo Low Profile Ball Intake Valve RC is an electric remote controlled valve with all the benefits of TFT’s Jumbo Low Profile Ball Intake Valve with the addition of powered operation. A large knob is installed on the drive shaft for immediate manual override. Designed for 12 or 24 VDC operation, selection is automatic. The motor control circuit uses an encoder and current limiting to protect the drive train at the ends of travel. The panel mounted control box allows for remote operation and contains an LED display showing valve position. Unit comes with a panel mounted quick connect plug for connection between the valve and control box. Electric drive and control box are waterproof. Mechanical installation consists of attaching the valve to the pump, mounting the control box and quick-connect electric plug. Six seconds from open to close, meets NFPA 1901 slow close requirement. The valve is designed for pressure or vacuum service. Maximum operating pressure is 250 psi (17 bar). Meets 900 psi (62 bar) hydrostatic strength test. A rugged ¼-turn air vent at the top of the valve allows air to be bled quickly. TFT’s adjustable Pressure Relief Valve (PRV) is installed with the discharge pointing downward and meets NFPA 1901. The aluminum castings are hardcoat anodized, and

TFT Powder Coated finished inside and out for maximum corrosion protection. All wetted components are aluminum alloys to prevent galvanic corrosion, and are specially coated for additional corrosion protection. Hose coupling and truck connections are attached to the valve using polymer bearing rings which can provide electrical isolation to help prevent galvanic corrosion. The Jumbo Low Profile Ball Intake Valve RC is covered by a 10 year warranty. Contact TFT customer service for configurations not shown. Friction loss is 5 psi (0.3 bar) at 2000 gpm (7570 l/min); Pressure Loss Chart can be found in the Technical Data section of the catalog.

- Control box has five LEDs to show position of the valve
- Buttons for valve open, stop, close
- Can be quickly and easily set for manual (jog) or automatic (full travel) modes
- For additional control heads to operate valve from other location, refer to the RC Monitor Controls and Accessories section of the catalog.

See chart on next page for model number ordering information.



Dimensional Maximum
AXD1SP-NX-RC
 37.8 lbs (17.1 kg)
 15.4" (39.1 cm) Height
 15.6" (39.6 cm) Width
 11.3" (28.7 cm) Depth



LEFT RC MOTOR MOUNT SHOWN
 SAMPLE PART NUMBER
AXD1ST-NX-RC



RIGHT RC MOTOR MOUNT SHOWN
 SAMPLE PART NUMBER
AXE1ST-NX-RC



	Adapters for 4" or 4.5" NH (102 or 114 mm) pump inlets.	
	4" NH (102 mm) Pump Inlet Adapter	4.5" NH (114 mm) Pump Inlet Adapter
6" NH (152 mm) Threaded Male	AA9NX-NP	AA9NX-NR

Storz couplings are shipped with a pressure gasket installed. A suction gasket is available upon request for drafting operations

To change a Storz from rigid to full-time swivel, back out the lockout screw until the coupling moves freely. Refer to the diagram found in the Technical Data section of the catalog.

For additional control heads to operate valve from other location, refer to the RC Monitor Controls and Accessories section of the catalog.

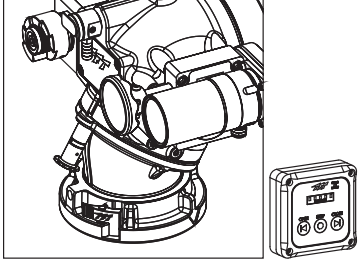
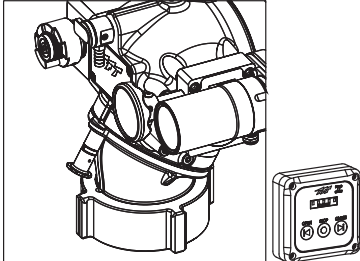
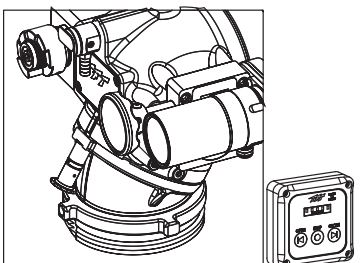
If a Pressure Relief Valve (PRV) is not required, substitute the part number prefix AXD with AZD or AXE with AZE. AZD or AZE denotes no PRV.

Pressure Relief Valve information can be found in the Valves section of the catalog.

Suction Screen information can be found in the Technical Data section of the catalog.

Caps and Plugs can be found in the Adapter section of catalog.

BIV JUMBO LOW PROFILE BALL INTAKE VALVE™ RC

AXD / AXE AZD / AZE (CHOOSE BELOW)	SIDE B (CHOOSE BELOW)		— (DASH INCLUDED)	SIDE A (SUFFIX INCLUDED)	— (DASH INCLUDED)	RC (SUFFIX INCLUDED)
			—	NX	—	RC
AXD) Motor Side Left AXE) Motor Side Right AZD) Motor Side Left No PRV AZE) Motor Side Right No PRV	1SP) 4.0" (102 mm) Storz 1ST) 5.0" (127 mm) Storz 1SX) 6.0" (152 mm) Storz			NT) 5.0" (127 mm) Female Threaded Swivel NX) 6.0" (152 mm) Female Threaded Swivel		
	7NP) 4.0" (102 mm) Threaded Swivel					
	8NT) 5.0" (127 mm) Male Threaded Rigid 8NX) 6.0" (152 mm) Male Threaded Rigid					

AX*		-		-	RC
------------	--	---	--	---	-----------

(Choose Left or Right Side B/Side A suffix from table)

AXD	7NP	-	NX	-	RC
------------	------------	---	-----------	---	-----------

Example: Left motor, with PRV, 4.0" (102 mm) Rocker Lug Female Swivel on Side B to a 6.0" NH (152 mm) Female Swivel on Side A would be AXD7NP-NX-RC.

+ All 6" Storz couplings have an adjustable seal compression feature.

45° HI-RISE VALVE

2.5" (64 mm) Standpipe Connections

The TFT Hi-Rise Valve helps eliminate cumbersome hose line setups and allows visibility of the supply pressure at the standpipe. The single piece 2.5" (64 mm) high flow elbow with pressure gauge is available with or without an integrated slow-close, half-ball valve. The single piece with swiveling couplings and pressure gauge section, eliminates fumbling with multiple pieces allowing a quick connection. The large, easy-to-read pressure gauge is protected by a heavy duty housing with a replaceable lens. The pressure gauge swivels 360° for easy visibility. A quarter-turn

bleeder valve allows quick pressure bleeding of the waterway. The slow close valve includes a position indicator and the valve handle can be ordered on the left side or right side. The full-flow 2.5" waterway valve will not slam shut, while allowing easy movement under pressure. These valves are available in the Hi-Rise Kit on next page.

Add "M" to end of model number for Metric Pressure Gauge 0-200 psi (0-1400 kPa).



■ AVG2ENJNJ

8.0 lbs (3.6 kg)

11.4" (29.0 cm) Length

5.8" (14.7 cm) Width

9.4" (23.9 cm) Height

- 45° standpipe waterway with no valve
- Full 2.5" (64 mm) waterway that results in maximum flow rate with minimal friction loss
- Includes an air bleeder and a protected in-line pressure gauge that reads 0 – 200 psi (0-14 bar)
- Swivels 360° to fit the widest variety of standpipe connections
- Gauge reads outlet pressure



■ AVGSC2LNJNJ

9.6 lbs (4.4 kg)

11.4" (29.0 cm) Length

8.8" (22.4 cm) Width

9.4" (23.9 cm) Height

- 45° standpipe waterway with a Left-handle slow close valve
- Full 2.5" (64 mm) waterway that results in maximum flow rate with minimal friction loss
- Includes a position indicator, which identifies open and close positions
- Includes an air bleeder and a protected in-line pressure gauge that reads 0 – 200 psi (0-14 bar)
- Valve body swivels 360° before tightening and gauge body always swivels 360° to fit the widest variety of standpipe connections
- Gauge reads outlet pressure



■ AVGSC2RNJNJ

9.6 lbs (4.4 kg)

11.4" (29.0 cm) Length

8.1" (20.6 cm) Width

9.4" (23.9 cm) Height

- 45° standpipe waterway with a Right-handle slow close valve
- Full 2.5" (64 mm) waterway that results in maximum flow rate with minimal friction loss
- Includes a position indicator, which identifies open and close positions
- Includes an air bleeder and a protected in-line pressure gauge that reads 0 – 200 psi (0-14 bar)
- Valve body swivels 360° before tightening and gauge body always swivels 360° to fit the widest variety of standpipe connections
- Gauge reads outlet pressure

45° HI-RISE KIT

2.5" (64 mm) Configurable for Different Stand Pipe Installations

Compact, Heavy Duty Duffel Bag



2.5" (64 mm) Standpipe Valve with In-Line Pressure Gauge



2.5" X 1.5" (64 X 38mm) Reducer



1.5" X 2.5" (38 X 64 mm) Increaser



2 Spanner Wrenches

FEATURES INCLUDE

- The large 2.5" (64 mm) Gauge is protected in a heavy duty housing and features a replaceable window.
- The Pressure Gauge swivels 360° for easy visibility in tight spaces.
- Equipped with an integrated Air Bleeder Valve.



HI-RISE PACKAGE MODEL	SPANNER WRENCH	BAG - HI RISE EQUIPMENT EMBROIDERED	HI RISE VALVE 45 DEG W/ GAUGE	ADAPTER 2.5" NHF X 1.5" NHM RIGID	ADAPTER 1.5" NHF X 2.5" NHM
HI-RISE-L	A3813 (2)	HI-RISE-BAG	AVGSC2LNJNJ (Left Valve)	H-A	JNF-NJ
HI-RISE-R	A3813 (2)	HI-RISE-BAG	AVGSC2RNJNJ (Right Valve)	H-A	JNF-NJ


HI-RISE PACKAGE MODEL	SPANNER WRENCH	BAG - HI RISE EQUIPMENT EMBROIDERED	HI-RISE ELBOW 45 DEG W/ GAUGE	ADAPTER 2.5" NHF X 1.5" NHM RIGID	ADAPTER 1.5" NHF X 2.5" NHM
HI-RISE-E	A3813 (2)	HI-RISE-BAG	AVG2ENJNJ	H-A	JNF-NJ

SLOW CLOSE HI-RISE VALVE

2.5" (64 mm)


TFT's 2.5" (64 mm) Slow Close Hi-Rise Valve is a lightweight valve with a full 2.5" (64 mm) waterway designed for use on standpipes, truck outlets, on the ground, or where having a pressure reading is advantageous. 300 psi (21 bar) operating pressure from either side of valve. Automatic valve lock keeps valve position while flowing at partial openings. All the components on the wet side of the valve are made of hardcoat anodized aluminum for additional corrosion protection. Anchor point for cap tether attachment. Aluminum casting is hardcoated and silver TFT-powder coat finish inside and out for maximum corrosion protection. The In-line

Pressure Gauge incorporates a liquid filled pressure gauge with an easy to read gauge face into a solid aluminum body, protecting the gauge from damage. Built into the casting is a pitot pickup for an accurate reading of the total pressure in the center of the waterway. The gauge also includes a replaceable lens that protects the gauge face from damage. The lens can easily be changed if it becomes scratched or damaged. Pivoting outlets cut the weight of hi-rise packs by eliminating separate components. Fully pivoting the discharge changes the gauge reading by less than 5 psi (0.3 bar) at 500 gpm (2000 l/min).



AVGSC3FNJNJ

- Slow close knob has low force to rotate valve even under pressure
- Valve position indicator
- Pipe threaded port for bleeder valve
- Field replaceable valve seat.



AVGSC3SNJNJ
AVGSC2SNJNJ

- Slow close knob has low force to rotate valve even under pressure
- Valve position indicator
- Pipe threaded port for bleeder valve
- Field replaceable valve seat
- Pivoting outlet joint that moves $\pm 20^\circ$ from center for controlling hose kinks on standpipes with horizontal or vertical discharge

MODEL	THREADS		INLET COUPLING	PIVOTING OUTLET	PRESSURE GAUGE	LENGTH	WEIGHT
	INLET FEMALE	OUTLET MALE					
AVGSC3FNJNJ	2.5" (64 mm)	2.5" (64 mm)	Rocker Lug Swivel	NO	0-300 psi (0-21 bar)	7.7"H x 5.6"W x 12.4"L (19.6 x 14.2 x 31.5 cm)	9.4 lb (4.3 kg)
AVGSC3SNJNJ	2.5" (64 mm)	2.5" (64 mm)	Rocker Lug Swivel	$\pm 20^\circ$ pivoting NH male	0-300 psi (0-21 bar)	7.7"H x 5.6"W x 14.1"L (19.6 x 14.2 x 35.8 cm)	9.5 lb (4.3 kg)
AVGSC2SNJNJ	2.5" (64 mm)	2.5" (64 mm)	Rocker Lug Swivel	$\pm 20^\circ$ pivoting NH male	0-200 psi (0-14 bar)	7.7"H x 5.6"W x 14.1"L (19.6 x 14.2 x 35.8 cm)	9.5 lb (4.3 kg)

FORESTRY VALVE

Forestry Tee Valves

TEE VALVE has a hardcoat anodized cast aluminum body with 1.5" (38 mm) threads and 1.0" (25 mm) branch outlet. The valve stem has a durable nylon handle. The 2.5" (6.4 cm) hexagon body is 4.75" (12.1 cm) long.



MODEL	THREADS		INLET COUPLING	TEE VALVE BRANCH	LENGTH	WEIGHT
	INLET	OUTLET				
ATNF-ND	1.5" NH (38 mm)	1.5" NH (38 mm)	Hexagon Fixed	1.0" NH (25 mm)	4.75" (12.1 cm)	1.0 lb (0.5 kg)
ATNF-ID	1.5" NH (38 mm)	1.5" NH (38 mm)	Hexagon Fixed	1.0" NPSH (25 mm)	4.75" (12.1 cm)	1.0 lb (0.5 kg)

FORESTRY VALVE

Gated Wyes

FORESTRY GATED WYE has a cast aluminum body with 1" (25 mm) ball type valves and optional long or short nylon valve handles. Hardcoat anodized finish. Inlet and outlet threads are available in various combinations of 1" & 1.5" (25 mm & 38 mm) NH.

Pressure tested to 1000 psi (70 bar) and is 5" (12.7 cm) long by 5.5" (14 cm) wide, excluding handles. See charts for model numbers. NPSH threads available at no extra cost. Please specify NPSH in description.



MODEL	THREADS		COUPLING	VALVE HANDLE	LENGTH	WEIGHT
	INLET FEMALE	OUTLET MALE				
AYLND-ND	1.0" NH (25 mm)	1.0" NH (25 mm)	Rocker Lug Swivel	Long Handle	5.0" (12.7 cm)	2.2 lb (1.0 kg)
AYLNF-ND	1.5" NH (38 mm)	1.0" NH (25 mm)	Rocker Lug Swivel	Long Handle	5.0" (12.7 cm)	2.2 lb (1.0 kg)
AYLNF-NF	1.5" NH (38 mm)	1.5" NH (38 mm)	Rocker Lug Swivel	Long Handle	5.0" (12.7 cm)	2.2 lb (1.0 kg)
AYSND-ND	1.0" NH (25 mm)	1.0" NH (25 mm)	Rocker Lug Swivel	Short Handle	5.0" (12.7 cm)	2.2 lb (1.0 kg)
AYSNF-ND	1.5" NH (38 mm)	1.0" NH (25 mm)	Rocker Lug Swivel	Short Handle	5.0" (12.7 cm)	2.2 lb (1.0 kg)
AYSNF-NF	1.5" NH (38 mm)	1.5" NH (38 mm)	Rocker Lug Swivel	Short Handle	5.0" (12.7 cm)	2.2 lb (1.0 kg)

GATED WYE

Gated Wyes 2.5" x 1.5" (64 mm x 38 mm)



AYNJ-NF

- Quarter-turn aluminum ball valves provide a positive shut-off
- Hardcoat anodized couplings
- Rugged lightweight aluminum alloy casting with durable powder coat finish inside and out
- Full flow 1.5" (38 mm) ball waterway
- Super tough nylon color coded folding handles



AYSNJ-NF

- Quarter-turn aluminum ball valves provide a positive shut-off
- Hardcoat anodized couplings
- Rugged lightweight aluminum alloy casting with durable powder coat finish inside and out
- Full flow 1.5" (38 mm) ball waterway
- Hardcoat anodized aluminum color coded short handles



AYG-NJ-NF
AYT-NJ-NF

- Intended for use in high rise packs
- One branch connects to the hose the other branch has a quarter-turn aluminum ball valve for a positive shut-off
- A 0-200 psi (0-14 bar) pressure gauge on top of the wye
- Hardcoat anodized couplings
- Rugged lightweight aluminum alloy casting with durable powder coat finish inside and out
- Full flow 1.5" (38 mm) ball waterway
- Super tough nylon folding handle
- AYT-NJ-NF has 2.5" NH (64 mm) outlet on gauge side

MODEL	THREADS		COUPLING	VALVE HANDLE	LENGTH	WEIGHT
	INLET FEMALE	OUTLET MALE				
AYNJ-NF	2.5" NH (64 mm)	(2) 1.5" NH (38 mm)	Rocker Lug Swivel	Long Handles	6.0" x 6.75" (15.2 x 17.1 cm)	3.6 lb (1.6 kg)
AYSNJ-NF	2.5" NH (64 mm)	(2) 1.5" NH (38 mm)	Rocker Lug Swivel	Short Handles	5.2" x 6.75" (13.2 x 17.1 cm)	4.9 lb (2.2 kg)
AYG-NJ-NF	2.5" NH (64 mm)	(2) 1.5" NH (38 mm)	Rocker Lug Swivel	Long Handle	6.0" x 6.75" (15.2 x 17.1 cm)	4.9 lb (2.2 kg)
AYT-NJ-NF	2.5" NH (64 mm)	(1) 1.5" NH (38 mm) & (1) 2.5" NH (64 mm)	Rocker Lug Swivel	Long Handle	6.0" x 6.75" (15.2 x 17.1 cm)	4.9 lb (2.2 kg)

GATED WYE

2.5" (64 mm)

NFPA
COMPLIANT

TFT's 2.5" (64 mm) Gated Wye is a lightweight wye with a full 2.5" (64 mm) waterway. 300 psi (20 bar) operating pressure from either side of valve. Field replaceable valve seats. Quarter turn folding valve handles for the ultimate in compactness. Low force to move valve even under pressure. Cast in carrying handle. Automatic valve lock keeps

valve position while flowing at partial openings. Pipe threaded ports for pressure gauge and bleed valve. Holes for cap tether attachment. Aluminum casting is hardcoat anodized and silver TFT-powder coat finish inside and out for maximum corrosion protection.



MODEL	THREADS		COUPLING		VALVE HANDLE	LENGTH	WEIGHT
	INLET	OUTLET	INLET	OUTLET			
AY5NJ-NJ	2.5" NH (64 mm)	(2) 2.5" NH (64 mm)	Rocker Lug Swivel	Male Threaded	Long Handle	8.9" H x 10.5" W x 7.4" D (23 x 27 x 19 cm)	10.4 lb (4.7 kg)
AY5NP-NJ	4.0" NH (102 mm)	(2) 2.5" NH (64 mm)	Rocker Lug Swivel	Male Threaded	Long Handle	8.9" H x 10.5" W x 7.4" D (23 x 27 x 19 cm)	12.1 lb (5.5 kg)
AY5HNR-NJ	4.5" NH (114 mm)	(2) 2.5" NH (64 mm)	Female Swivel Handle	Male Threaded	Long Handle	8.9" H x 10.5" W x 7.4" D (23 x 27 x 19.0 cm)	13.5 lb (6.1 kg)
AY5HNT-NJ	5.0" NH (127 mm)	(2) 2.5" NH (64 mm)	Female Swivel Handle	Male Threaded	Long Handle	8.9" H x 10.5" W x 7.4" D (23 x 27 x 19.0 cm)	13.4 lb (6.1 kg)
AY5HNX-NJ	6.0" NH (152 mm)	(2) 2.5" NH (64 mm)	Female Swivel Handle	Male Threaded	Long Handle	8.9" H x 10.5" W x 7.4" D (23 x 27 x 19 cm)	12.2 lb (5.5 kg)
AY8SP-NJ	4.0" (102 mm)	(2) 2.5" NH (64 mm)	Storz	Male Threaded	Long Handle	8.9" H x 10.5" W x 7.4" D (23 x 27 x 19 cm)	11.2 lb (5.1 kg)
AY8ST-NJ	5.0" (127 mm)	(2) 2.5" NH (64 mm)	Storz	Male Threaded	Long Handle	8.9" H x 10.5" W x 7.4" D (23 x 27 x 19 cm)	12.9 lb (5.9 kg)
AY8SX-NJ	6.0" (152 mm) +	(2) 2.5" NH (64 mm)	Storz	Male Threaded	Long Handle	8.9" H x 10.5" W x 7.4" D (23 x 27 x 19 cm)	15.4 lb (7.0 kg)

AY175-KIT - GAUGE KIT is available for the AY Series Gated Wye.
 A1621-KIT - VENT DRAIN KIT is available for the AY Series Gated Wye.
 Information can be found in the Technical Data section of the catalog.

To change a Storz from rigid to full-time swivel, back out the lockout screw until the coupling moves freely. Refer to the diagram found in the Technical Data section of the catalog.

+ All 6" Storz couplings have an adjustable seal compression feature

HYDRANT VALVE

2.5" (64 mm)

TFT's Quarter Turn Hydrant Valve is a lightweight valve with a full 2.5" (64 mm) waterway. 300 psi (21 bar) operating pressure from either side of valve. Valve handle has low force to move valve even under pressure. Automatic valve lock keeps valve position while flowing at partial openings. All the components on the wet side of the valve are made of

hardcoat anodized aluminum for additional corrosion protection. Pipe threaded port for pressure gauge or bleeder valve. Aluminum casting is hardcoated and silver TFT-powder coat finish inside and out for maximum corrosion protection.



AV5NJ-NJ

- Quarter-turn aluminum ball valve provide a positives shut-off
- Field replaceable valve seat
- Super tough nylon folding handle
- A1621-KIT Vent drain kit available



AV5NJ-NJ-SC

- Slow close multi-turn knob prevents water hammer
- Includes valve position indicator
- Field replaceable valve seat
- A1621-KIT Vent drain kit available

MODEL	THREADS		INLET COUPLING	WATERWAY SIZE	LENGTH	WEIGHT
	INLET	OUTLET				
AV5NJ-NJ	2.5" (64 mm)	2.5" (64 mm)	Rocker Lug Swivel	2.5" (64 mm)	7.6"H x 5.7"W x 8.4"L (19.3 x 14.5 x 21.3 cm)	5.8 lb (2.6 kg)
AV5NJ-NJ-SC	2.5" (64 mm)	2.5" (64 mm)	Rocker Lug Swivel	2.5" (64 mm)	9.1"H x 5.7"W x 8.4"L (22.6 x 14.5 x 21.3 cm)	5.8 lb (2.6 kg)

NFPA COMPLIANT

WATER THIEF

2.5" x 1.5" (64 mm x 38 mm)

TFT's Water Thief is a lightweight valve with full 2.5" and 1.5" (64 mm and 38 mm) waterways. 300 psi (21 bar) operating pressure from either side of the valves. Field replaceable valve seats. Quarter turn valve handles with low force to move even under pressure. Automatic valve lock on the 2.5" (64 mm) valve keeps its position while flowing at partial

openings. Special internal contour on the 1.5" (38 mm) valves keeps them in position while flowing. Aluminum casting is hardcoat anodized and silver TFT-powder coat finish inside and out for maximum corrosion protection. Slow close 2.5" (64 mm) valve model available.



WT5NJ-NJ-NF

- Folding nylon handles minimize storage space
- Red, blue, and orange valve color coding
- Pipe threaded port for pressure gauge
- Strap assists in carrying and dragging hose

MODEL	THREADS		INLET COUPLING	LENGTH	WEIGHT
	INLET FEMALE	OUTLET MALE			
WT5NJ-NJ-NF	2.5" (64 mm)	2.5" (64 mm), (2) 1.5" (38 mm)	Rocker Lug Swivel	7.6"H x 9.8"W x 10.6"L (19.3 x 24.9 x 26.9 cm)	9.7 lb (4.4 kg)

GATED SIAMESE

2.5" (64 mm)

NFPA
COMPLIANT

TFT's 2.5" (64 mm) Gated Siamese is a lightweight wye with a full 2.5" (64 mm) waterway. 300 psi (20 bar) operating pressure from either side of valve. Field replaceable valve seats. Quarter turn folding valve handles for the ultimate in compactness. Low force to move valve even under pressure. Cast in carrying handle. Automatic valve lock keeps

valve position while flowing at partial openings. Pipe threaded ports for pressure gage and bleed valve. Holes for cap tether attachment. Aluminum casting is hardcoat anodized and silver TFT-powder coat finish inside and out for maximum corrosion protection.



MODEL	THREADS		COUPLING		VALVE HANDLE	LENGTH	WEIGHT
	INLET	OUTLET	INLET	OUTLET			
AY7NJ-NJ	2.5" NH (64 mm)	(2) 2.5" NH (64 mm)	Rocker Lug Swivel	Rocker Lug Swivel	Long Handle	8.9" H x 10.5" W x 7.4" D (23 x 27 x 19 cm)	10.1 lb (4.6 kg)
AY7NP-NJ	4.0" NH (102 mm)	(2) 2.5" NH (64 mm)	Rocker Lug Swivel	Rocker Lug Swivel	Long Handle	8.9" H x 10.5" W x 7.4" D (23 x 27 x 19 cm)	13.1 lb (5.9 kg)
AY7HNX-NJ	6.0" NH (152 mm)	(2) 2.5" NH (64 mm)	Female Swivel Handle	Rocker Lug Swivel	Long Handle	8.9" H x 10.5" W x 7.4" D (23 x 27 x 19 cm)	14.4 lb (6.5 kg)
AY9SP-NJ	4.0" (102 mm)	(2) 2.5" NH (64 mm)	Storz	Rocker Lug Swivel	Long Handle	8.9" H x 10.5" W x 7.4" D (23 x 27 x 19 cm)	12.3 lb (5.6 kg)
AY9ST-NJ	5.0" (127 mm)	(2) 2.5" NH (64 mm)	Storz	Rocker Lug Swivel	Long Handle	8.9" H x 10.5" W x 7.4" D (23 x 27 x 19 cm)	14.0 lb (6.4 kg)

AY175-KIT - GAUGE KIT is available for the AY Series Gated Wye.
 A1621-KIT - VENT DRAIN KIT is available for the AY Series Gated Wye.
 Information can be found in the Technical Data section of the catalog.

To change a Storz from rigid to full-time swivel, back out the lockout screw until the coupling moves freely. Refer to the diagram found in the Technical Data section of the catalog.

GATED WYE - SLOW CLOSE

2.5" (64 mm)

NFPA
COMPLIANT

TFT's 2.5" (64 mm) Gated Wye is a lightweight wye with a full 2.5" (64 mm) waterway. 300 psi (21 bar) operating pressure from either side of valve. Field replaceable valve seats. Multi-turn knob meets slow close requirements, prevents water hammer. Includes a visual valve position

indicator. Cast in carrying handle. Pipe threaded ports for pressure gauge and bleeder valve. Holes for cap tether attachment. Aluminum casting is hardcoat anodized and silver TFT-powder coat finish inside and out for maximum corrosion protection.



AY5NJ-NJ-SC
AY5NP-NJ-SC

AY5HNR-NJ-SC

AY8SP-NJ-SC
AY8ST-NJ-SC
AY8SX-NJ-SC

MODEL	THREADS		COUPLING		SLOW CLOSE VALVE	LENGTH	WEIGHT
	INLET	OUTLET	INLET	OUTLET			
AY5NJ-NJ-SC	2.5" NH (64 mm)	(2) 2.5" NH (64 mm)	Rocker Lug Swivel	Male Threaded	Multi-turn knob	8.9" H x 10.5" W x 7.4" D (23 x 27 x 19 cm)	10.2 lb (4.6 kg)
AY5NP-NJ-SC	4.0" NH (102 mm)	(2) 2.5" NH (64 mm)	Rocker Lug Swivel	Male Threaded	Multi-turn knob	8.9" H x 10.5" W x 7.4" D (23 x 27 x 19 cm)	10.2 lb (4.6 kg)
AY5HNR-NJ-SC	4.5" NH (114 mm)	(2) 2.5" NH (64 mm)	Female Swivel Handle	Male Threaded	Multi-turn knob	8.9" H x 10.5" W x 7.4" D (23 x 27 x 19 cm)	10.2 lb (4.6 kg)
AY8SP-NJ-SC	4.0" (102 mm)	(2) 2.5" NH (64 mm)	Storz	Male Threaded	Multi-turn knob	8.9" H x 10.5" W x 7.4" D (23 x 27 x 19 cm)	12.0 lb (5.4 kg)
AY8ST-NJ-SC	5.0" (127 mm)	(2) 2.5" NH (64 mm)	Storz	Male Threaded	Multi-turn knob	8.9" H x 10.5" W x 7.4" D (23 x 27 x 19 cm)	12.0 lb (5.4 kg)
AY8SX-NJ-SC	6.0" (152 mm)+	(2) 2.5" NH (64 mm)	Storz	Male Threaded	Multi-turn knob	8.9" H x 10.5" W x 7.4" D (23 x 27 x 19 cm)	12.0 lb (5.4 kg)

AY175-KIT - GAUGE KIT is available for the AY Series Gated Wye.
A1621-KIT - VENT DRAIN KIT is available for the AY Series Gated Wye.
Information can be found in the Technical Data section of the catalog.

To change a Storz from rigid to full-time swivel, back out the lockout screw until the coupling moves freely. Refer to the diagram found in the Technical Data section of the catalog.

+ All 6" Storz couplings have an adjustable seal compression feature

GATED SIAMESE - SLOW CLOSE

2.5" (64 mm)

NFPA
COMPLIANT

TFT's 2.5" (64 mm) Gated Siamese is a lightweight wye with a full 2.5" (64 mm) waterway. 300 psi (21 bar) operating pressure from either side of valve. Field replaceable valve seats. Multi-turn knob meets slow close requirements, prevents water hammer. Includes a visual valve position

indicator. Cast in carrying handle. Pipe threaded ports for pressure gauge and bleeder valve. Holes for cap tether attachment. Aluminum casting is hardcoat anodized and silver TFT-powder coat finish inside and out for maximum corrosion protection.



MODEL	THREADS		COUPLING		SLOW CLOSE VALVE	LENGTH	WEIGHT
	INLET	OUTLET	INLET	OUTLET			
AY7NJ-NJ-SC	2.5" NH (64 mm)	(2) 2.5" NH (64 mm)	Rocker Lug Swivel	Rocker Lug Swivel	Multi-turn knob	8.9" H x 10.5" W x 7.4" D (23 x 27 x 19 cm)	11.0 lb (5.0 kg)
AY7HNX-NJ-SC	6.0" NH (152 mm)	(2) 2.5" NH (64 mm)	Female Swivel Handle	Rocker Lug Swivel	Multi-turn knob	8.9" H x 10.5" W x 7.4" D (23 x 27 x 19 cm)	11.0 lb (5.0 kg)
AY9SP-NJ-SC	4.0" (102 mm)	(2) 2.5" NH (64 mm)	Storz	Rocker Lug Swivel	Multi-turn knob	8.9" H x 10.5" W x 7.4" D (23 x 27 x 19 cm)	12.0 lb (5.4 kg)
AY9ST-NJ-SC	5.0" (127 mm)	(2) 2.5" NH (64 mm)	Storz	Rocker Lug Swivel	Multi-turn knob	8.9" H x 10.5" W x 7.4" D (23 x 27 x 19 cm)	12.0 lb (5.4 kg)

AY175-KIT - GAUGE KIT is available for the AY Series Gated Wye.

A1621-KIT - VENT DRAIN KIT is available for the AY Series Gated Wye.

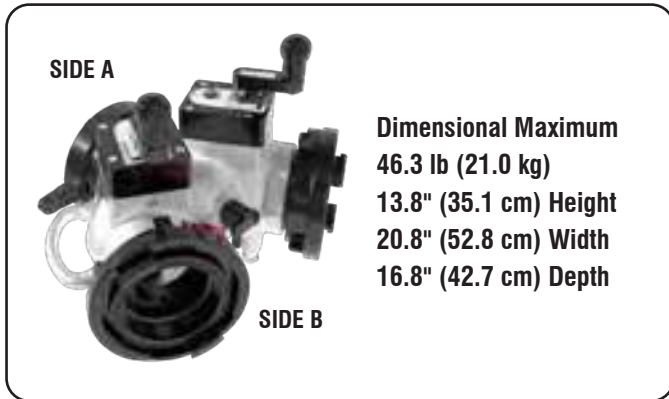
Information can be found in the Technical Data section of the catalog.

To change a Storz from rigid to full-time swivel, back out the lockout screw until the coupling moves freely. Refer to the diagram found in the Technical Data section of the catalog.

LDH GATED WYE

The LDH Gated Wye is a lightweight, low friction-loss valve that can be used in many water distribution applications. Dual robust valve mechanisms from the TFT Ball Intake Valve are streamlined to a large waterway for the ultimate in versatility. Valve seats are field replaceable,

devices include a 300 psi (21 bar) pressure gauge and quarter turn air vent and drain valve. Two robust carrying handles make for easy deployment. A polymer bearing ring prevents galvanic corrosion on LDH couplings.



Dimensional Maximum
46.3 lb (21.0 kg)
13.8" (35.1 cm) Height
20.8" (52.8 cm) Width
16.8" (42.7 cm) Depth

NFS. Non-Full-time Swivel. Coupling will not swivel after tightening connection
FTS. Full-time Swivel. Coupling can still swivel after tightening connection.
 To change a Storz from rigid to full-time swivel, back out the lockout screw until the coupling moves freely. Refer to the diagram found in the Technical Data section of the catalog.
 +All 6" Storz couplings have an adjustable seal compression feature

LDH GATED WYE - Ground / Loose Equipment

MODEL	SIDE A	SIDE B
AL22P2P0	4.0"STORZ	4.0"STORZ X (2)
AL22T2P0	5.0"STORZ	4.0"STORZ X (2)
AL22T2T0	5.0"STORZ	5.0"STORZ X (2)
AL22X2P0	6.0"STORZ	4.0"STORZ X (2)
AL22X2T0	6.0"STORZ	5.0"STORZ X (2)
AL22X2X0	6.0"STORZ	6.0"STORZ X (2)
AL22X7P0	6.0"STORZ	4.0"NHM X (2)
AL23P7P0	4.0"NHF RL FTS	4.0"NHM X (2)
AL26P2T0	4.0"NHF LH NFS	5.0"STORZ X (2)



AU-BRACKET
5.5 lbs. (2.5 kg)
12.5" W x 11.1" D x 1.0" H
(31.8 x 28.2 x 2.5 cm)

- Stainless Steel
- Mounts vertically or horizontally

JUMBO SIAMESE DUAL CLAPPER

AS Series - JUMBO SIAMESE - Designed for 4", 5", or 6" (100, 125, or 150 mm) hose. Siamese appliances feature dual clapper valves to allow one or both inlets to be disconnected without draining the water in the third hose line connection. TFT's Siamese are more efficient for LDH flow systems. Maximum operating pressure is 250 psi (17 bar). Meets 900 psi (62 bar) hydrostatic strength test. The aluminum castings are hardcoat anodized and TFT-powder coat finish inside and out for

maximum corrosion protection. Rugged carrying handle included. Three strategically placed legs allow the appliance to sit off the ground even with 6" Storz on inlet/outlet. Large main housing provides superior strength and durability. Hose couplings are attached using polymer bearing rings, which provide electrical isolation to help prevent galvanic corrosion.



MODEL	SIDE A - SINGLE FEMALE SWIVEL ROCKER NH	SIDE B - DUAL SWIVEL
AS3SP-NX	6.0" (152 mm) Threaded Swivel*	4.0" (102 mm)Storz
AS3ST-NT	5.0" (127 mm) Threaded Swivel	5.0" (127 mm) Storz
AS3ST-NX	6.0" (152 mm) Threaded Swivel*	5.0" (127 mm) Storz

* Short handle only. All others rocker lug.



MODEL	SIDE A - SINGLE STORZ	SIDE B - DUAL
AS4SP-SP	4.0" (102 mm)Storz	4.0" (102 mm)Storz
AS4SP-ST	5.0" (127 mm)Storz	4.0" (102 mm)Storz
AS4ST-ST	5.0" (127 mm)Storz	5.0" (127 mm)Storz
AS4ST-SX	6.0" (152 mm)Storz+	5.0" (127 mm)Storz
AS4SX-SX	6.0" (152 mm)Storz+	6.0" (152 mm)Storz+

To change a Storz from rigid to full-time swivel, back out the lockout screw until the coupling moves freely. Refer to the diagram found in the Technical Data section of the catalog.

+ All 6" Storz couplings have an adjustable seal compression feature



MODEL	SIDE A - SINGLE STORZ	SIDE B - DUAL FEMALE SWIVEL ROCKER NH
AS9NJ-SP#	4.0" (102 mm) Storz	2.5" (64 mm)Threaded Swivel
AS9NJ-ST#	5.0" (127 mm) Storz	2.5" (64 mm)Threaded Swivel

#Single clapper only. Single Leg. Does not include carrying handle.

JUMBO WYE

AW Series - JUMBO WYE - The same construction as the JUMBO SIAMESE, but without the clapper. Maximum operating pressure is 250 psi (17 bar). Meets 900 psi (62 bar) hydrostatic strength test. The aluminum castings are hardcoat anodized and TFT-powder coat finish inside and out for maximum corrosion protection. Rugged carrying handle

included. Three strategically placed legs allow the appliance to sit off the ground even with 6" Storz on inlet/outlet. Large main housing provides superior strength and durability. Hose couplings are attached using polymer bearing rings, which provide electrical isolation to help prevent galvanic corrosion.



MODEL	SIDE A - Single Female Swivel Short Handle NH	SIDE B - Dual
AW3SX-NX	6" (152 mm) Threaded Swivel	6.0" (152 mm) Storz+



MODEL	SIDE A - Single Storz	SIDE B - Dual
AW4SP-SP	4.0" (102 mm) Storz	4.0" (102 mm) Storz
AW4SP-ST	5.0" (127 mm) Storz	4.0" (102 mm) Storz
AW4ST-ST	5.0" (127 mm) Storz	5.0" (127 mm) Storz
AW4ST-SX	6.0" (152 mm) Storz+	5.0" (127 mm) Storz
AW4SX-SX	6.0" (152 mm) Storz+	6.0" (152 mm) Storz+



MODEL	SIDE A - Single Female Swivel Rocker NH	SIDE B - Dual Female Swivel Rocker NH
AW7NP-NP	4.0" (102 mm) Threaded Swivel	4.0" (102 mm) Threaded Swivel
AW7NP-NX	6.0" (152 mm) Threaded Swivel*	4.0" (102 mm) Threaded Swivel
AW7NX-NX	6.0" (152 mm) Threaded Swivel*	6.0" (152 mm) Threaded Swivel*

* Short handle only. All others rocker lug.

To change a Storz from rigid to full-time swivel, back out the lockout screw until the coupling moves freely. Refer to the diagram found in the Technical Data section of the catalog.

+ All 6" Storz couplings have an adjustable seal compression feature

JUMBO WYE



MODEL	SIDE A - Single Storz	SIDE B - Dual Female Swivel Rocker NH
AW9NP-SP	4.0" (102 mm) Storz	4.0" (102 mm) Threaded Swivel
AW9NP-SX	6.0" (152 mm) Storz+	4.0" (102 mm) Threaded Swivel

To change a Storz from rigid to full-time swivel, back out the lockout screw until the coupling moves freely. Refer to the diagram found in the Technical Data section of the catalog.

+ All 6" Storz couplings have an adjustable seal compression feature

LDH WATER THIEF

TFT's LDH Water Thief is a rugged valve with two valved discharge ports, each with a full 2.5" (64 mm) waterway. Maximum operating pressure is 300 psi (21 bar). Valve seats are field replaceable. Quarter turn valve handles operate with low force to move even under pressure. Automatic

valve lock keeps its position while flowing at partial openings. Folding handles minimize storage space. Aluminum casting is hardcoat anodized and silver TFT Powder Coat finish inside and out for maximum corrosion protection. Optional adjustable pressure relief valve.

AL

SIDE A INLET

SIDE B OUTLET

WITHOUT PRV
 Dimensional Maximum
 22.0 lbs (10.0 kg)
 8.75" (22.2 cm) Height
 15.00" (38.1 cm) Width
 15.60" (39.6 cm) Depth

WITH PRV
 Dimensional Maximum
 25.00 lbs (11.30 kg)
 11.50" (29.2 cm) Height
 15.00" (38.1 cm) Width
 15.60" (39.60 cm) Depth

MODEL	A INLET SIDE	B OUTLET SIDE	PRV
AL12P2P0	A-STORZ 4"	B-STORZ 4"	No
AL12P2P1	A-STORZ 4"	B-STORZ 4"	Yes
AL12T2P0	A-STORZ 5"	B-STORZ 4"	No
AL12T2T0	A-STORZ 5"	B-STORZ 5"	No
AL12T2T1	A-STORZ 5"	B-STORZ 5"	Yes
AL12X1X1	A-STORZ 6"	B-STORZ 6"	Yes
AL12X2X0	A-STORZ 6"	B-STORZ 6"	No
AL12X2X1	A-STORZ 6"	B-STORZ 6"	Yes
AL15R2T0	A-4.5"NHF LH	B-STORZ 5"	No
AL15R2T1	A-4.5"NHF LH	B-STORZ 5"	Yes
Water Thief Supplied with 2.5" (64 mm) Male Outlets.			


To change a Storz from rigid to full-time swivel, back out the lockout screw until the coupling moves freely. Refer to the diagram found in the Technical Data section of the catalog.

3-WAY VALVED MANIFOLD

TFT's 3-Way Valved Manifold is a rugged manifold with three 2.5" (64 mm) valved discharge ports, each with a full 2.5" (64 mm) waterway. Maximum operating pressure is 300 psi (21 bar). Valve seats are field replaceable. Quarter turn valve handles operate with low force to move even under pressure. Automatic valve lock keeps its position while

flowing at partial openings. Folding handles minimize storage space. Aluminum casting is hardcoat anodized and silver TFT Powder Coat finish inside and out for maximum corrosion protection. Optional adjustable pressure relief valve. Optional rugged 3/4" (19 mm) air bleed valve to quickly bleed air from the lines or to drain water from the valve housing.

AL3
SIDE A INLET

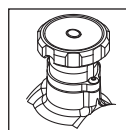


WITH PRV
Dimensional Maximum
25.00 lbs (11.3 kg)
11.50" (29.2 cm) Height
15.00" (38.1 cm) Width
17.50" (44.50 cm) Depth

WITH OUT PRV
Dimensional Maximum
23.00 lbs (10.4 kg)
8.75" (22.2 cm) Height
15.00" (38.1 cm) Width
17.50" (44.50 cm) Depth

MODEL	A INLET SIDE	PRV
AL32P0	4" Storz	No
AL32P1	4" Storz	Yes
AL32T0	5" Storz	No
AL32T1	5" Storz	Yes
AL32X0	6" Storz	No
AL32X1	6" Storz	Yes

Water Thief Supplied with 2.5" (64 mm) Male Outlets.




Slow Close Valve Option is available on most models. Add suffix -SC.

3-WAY SIAMESE MANIFOLD

TFT's 3-Way Valved Siamese Manifold is a rugged siamese manifold with three 2.5" (64 mm) valved inlet ports, each with a full 2.5" (64 mm) waterway. Maximum operating pressure is 300 psi (21 bar). Valve seats are field replaceable. Quarter turn valve handles operate with low force to move even under pressure. Automatic valve lock keeps its position while

flowing at partial openings. Folding handles minimize storage space. Aluminum casting is hardcoat anodized and silver TFT Powder Coat finish inside and out for maximum corrosion protection. Optional adjustable pressure relief valve. Optional rugged 3/4" (19 mm) air bleed valve to quickly bleed air from the lines or to drain water from the valve housing.

AL7
SIDE A INLET



WITHOUT PRV
Dimensional Maximum
23.00 lbs (10.1 kg)
8.75" (22.2 cm) Height
15.00" (38.1 cm) Width
17.50" (44.50 cm) Depth

WITH PRV
Dimensional Maximum
25.00 lbs (11.3 kg)
11.50" (29.2 cm) Height
15.00" (38.1 cm) Width
17.50" (44.50 cm) Depth

MODEL	A INLET SIDE	PRV
AL72P0	4" Storz	No
AL72P1	4" Storz	Yes
AL72T0	5" Storz	No
AL72T1	5" Storz	Yes
AL72X0	6" Storz	No
AL72X1	6" Storz	Yes

3-Way Siamese Manifold Supplied with 2.5" (64 mm) Female Swivel Rocker Lug Inlets.

To change a Storz from rigid to full-time swivel, back out the lockout screw until the coupling moves freely. Refer to the diagram found in the Technical Data section of the catalog.

All 6" Storz couplings have an adjustable seal compression feature


4-WAY VALVED MANIFOLD

TFT's 4-Way Valved Manifold is a rugged manifold with four 2.5" (64 mm) valved discharge ports, each with a full 2.5" (64 mm) waterway. Maximum operating pressure is 300 psi (21 bar). Valve seats are field replaceable. Quarter turn valve handles with low force to move even under pressure. Automatic valve lock keeps its position while flowing at partial openings. Folding handles minimize storage space. Aluminum casting is

hardcoat anodized and silver TFT Powder Coat finish inside and out for maximum corrosion protection. Optional adjustable pressure relief valve. Optional rugged 3/4" (19 mm) air bleed valve to quickly bleed air from the lines or to drain water from the valve housing.

AL4

**SIDE A
INLET**



WITHOUT PRV

Dimensional Maximum
27.30 lbs (12.4 kg)
8.75" (22.2 cm) Height
15.00" (38.1 cm) Width
17.50" (44.50 cm) Depth

WITH PRV

Dimensional Maximum
30.00 lbs (13.60 kg)
11.50" (29.2 cm) Height
15.00" (38.1 cm) Width
17.50" (44.50 cm) Depth

MODEL	A INLET SIDE	PRV
AL42P0	4" Storz	No
AL42P1	4" Storz	Yes
AL42T0	5" Storz	No
AL42T1	5" Storz	Yes
AL42X0	6" Storz	No
AL42X1	6" Storz	Yes
4-Way Manifold Supplied with 2.5" (64 mm) Male Outlets.		

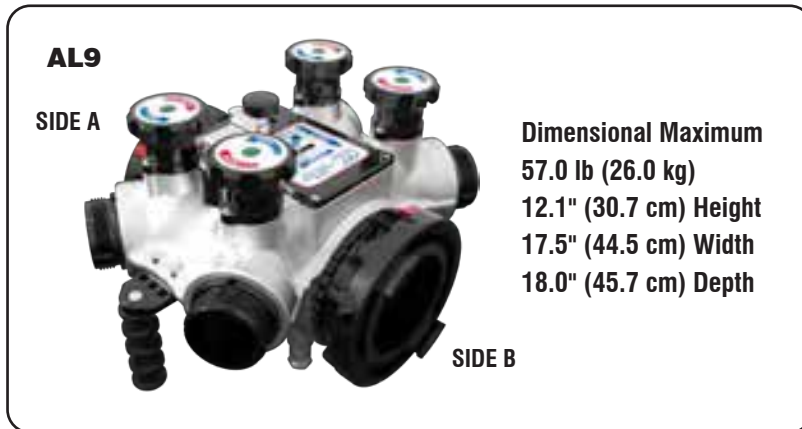
To change a Storz from rigid to full-time swivel, back out the lockout screw until the coupling moves freely. Refer to the diagram found in the Technical Data section of the catalog.

All 6" Storz couplings have an adjustable seal compression feature

5-WAY VALVED MANIFOLD

The 5-Way Manifold is a compact, portable, low friction-loss valve that can be used in many water distribution applications. The hydraulically actuated slide valve is combined with four of TFT's 2.5" (64 mm) slow close valves. Multi-turn knob meets slow close requirements, prevents water hammer. Includes a visual valve position indicator and makes for the ultimate in versatility. All four 2.5" (64 mm) valves can be used with or

without the LDH valve being open. Valve seats are field replaceable. The automatic valve lock on the 2.5" (64 mm) valves maintain valve position while flowing at partial openings. Device includes carrying handle, a pressure gauge and pressure relief valve (PRV). A polymer bearing ring helps prevent galvanic corrosion on LDH couplings. Storage bracket available.

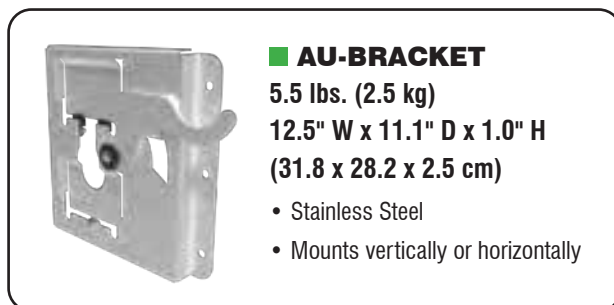


MODEL	DESCRIPTION
AL92P2P3-SC	5 Way Manifold - 4.0" Storz X 4.0" Storz with 300 psi PRV Slow Close Valves
AL92T2T3-SC	5 Way Manifold - 5.0" Storz X 5.0" Storz with 300 psi PRV Slow Close Valves
AL92X2X3-SC	5 Way Manifold - 6.0" Storz X 6.0" Storz with 300 psi PRV Slow Close Valves

5-Way Manifold Supplied with 2.5" (64 mm) Male Outlets.

To change a Storz from rigid to full-time swivel, back out the lockout screw until the coupling moves freely. Refer to the diagram found in the Technical Data section of the catalog.

All 6" Storz couplings have an adjustable seal compression feature

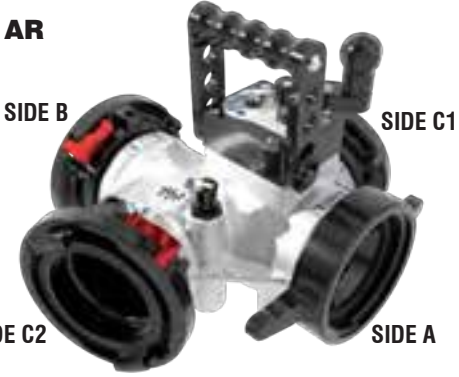


OASIS™ HYDRANT ASSIST

TFT's Oasis Hydrant Assist Valve is a versatile valve that can be used as a hydrant booster, as a gated wye, or for inline pumping during relay operations. In hydrant boosting operation, the valve is first connected to the hydrant and to the intake supply line on the first pumper. Inlet and outlet supply lines on a boost pumper are then connected to the valve to draw water directly from the hydrant connection and increase pressure/flow to the first pumper. A clapper valve with position indicator provides

uninterrupted water flow to the fire when transitioning to boost mode, and in the event of boost pump failure. Two unique valve position indicators tell the operator if the ball and clapper valves are open or closed. Designed for use with 4", 4.5", 5" or 6" (100, 115, 125 or 152 mm) hose. Maximum operating pressure is 250 psi (17 bar). Meets 900 psi (62 bar) hydrostatic strength test. The aluminum castings are hardcoat anodized inside and out, and TFT powder coat finished on the outside.


AR



Dimensional Maximum
32.7lbs (14.8 kg)
13.50" (34.3 cm) Height
16.50" (41.9 cm) Width
16.00" (40.60 cm) Depth

Conversions
 P) 4" (102 mm)
 R) 4.5" (114 mm)
 T) 5" (127 mm)
 X) 6" (152 mm)

AR-BRACKET
5.5 lbs. (2.5 kg)
12.5" W x 11.1" D x 1.0" H
(31.8 x 28.2 x 2.5 cm)

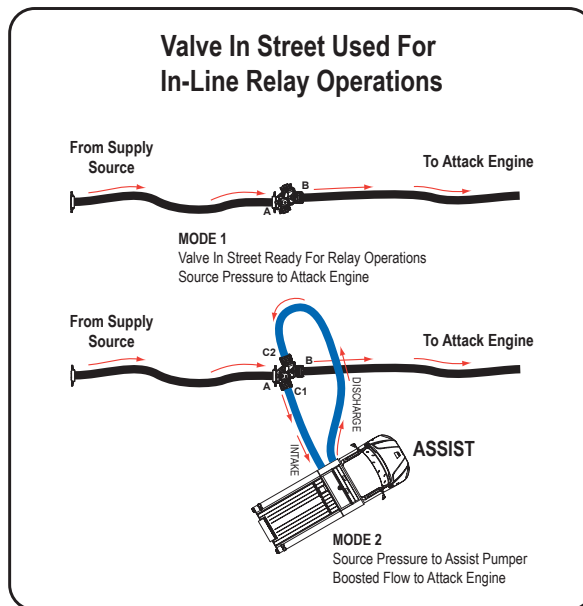
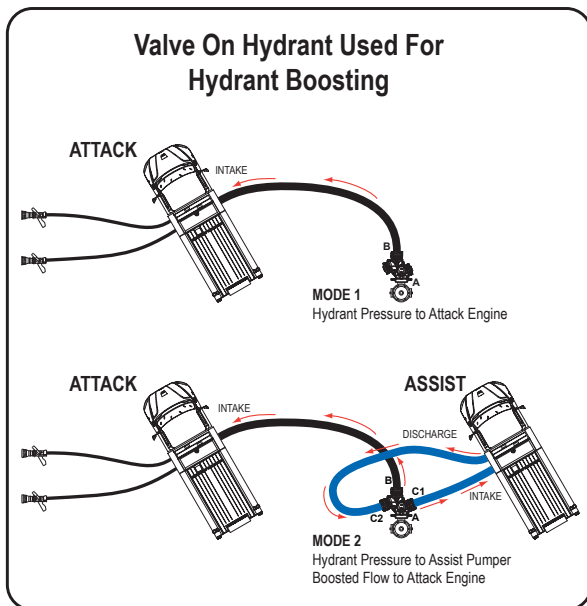


- Stainless Steel
- Mounts vertically or horizontally
- Quick release locking lever

SHUTOFF		SIDE A INLET FROM HYDRANT		SIDE B OUTLET TO ATTACK		SIDE C1 OUTLET TO BOOST		SIDE C2 BOOSTED INLET	
AR	No Shutoff	2P	Storz 4"	2P	Storz 4"	2P	Storz 4"	2P	Storz 4"
ARS	With Shutoff	2T	Storz 5"	2T	Storz 5"	2T	Storz 5"	2T	Storz 5"
		2X	Storz 6"	2X	Storz 6"	2X	Storz 6"	2X	Storz 6"
		5P	F Long Handle 4"						
		5R	F Long Handle 4.5"						
		5T	F Long Handle 5"						

F = Female

To change a Storz from rigid to full-time swivel, back out the lockout screw until the coupling moves freely. Refer to the diagram found in the Technical Data section of the catalog. All 6" Storz couplings have an adjustable seal compression feature.



IN-LINE VALVE

TFT's In-Line Valve is a multi-purpose valve designed for use with 4", 4.5" or 5" (100, 115, or 125 mm) hose. Maximum operating pressure is 300 psi (21 bar). Meets 900 psi (62 bar) hydrostatic strength test. The aluminum casting are Hardcoat anodized, and Powder Coat finished

inside and out for maximum corrosion protection. The valve meets NFPA slow close requirements. Optional adjustable pressure relief valve and rugged 3/4" (19 mm) air bleed valve are available.

AN

**SIDE A
SEAL SIDE**



SIDE B

Dimensional Maximum
23.00 lbs (10.4 kg)
13.80" (35.1 cm) Height
8.60" (21.8 cm) Width
10.10" (25.70 cm) Depth

Conversions
P) 4" (102 mm)
R) 4.5" (114 mm)
T) 5" (127 mm)

Create model number by choosing Side A and Side B letter/number option from the chart. Example: AN3P7P02 would be a 4" NH Female rocker lug swivel inlet and 4" NH Male rigid outlet without PRV.

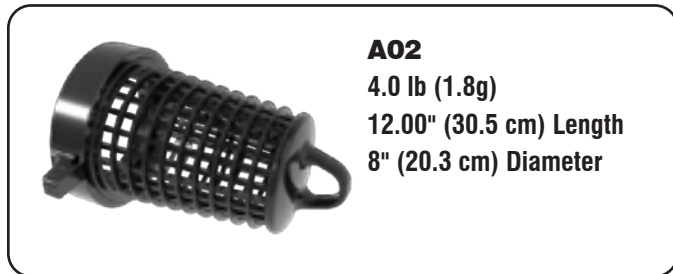
		SIDE A		SIDE B			
AN							02
	1P	4" Storz	1P	4" Storz			
	1T	5" Storz	1T	5" Storz			
	3P	4" F RL Swivel	7P	4" M			
	3R	4.5" F RL Swivel	7R	4.5" M			
	3T	5" F RL Swivel	7T	5" M			
	5P	4" F LH Swivel					
5R	4.5" F LH Swivel						

F = Female M = Male

To change a Storz from rigid to full-time swivel, back out the lockout screw until the coupling moves freely. Refer to the diagram found in the Technical Data section of the catalog.

BARREL STRAINER

JUMBO BARREL STRAINER - Heavy duty barrel strainer gives maximum flow capability. The impact resistant polymer won't dent when dropped and won't corrode even in contaminated water. The wavy straining pattern resists debris sucking flat against the holes. 240 holes total 48 in² of flow



A02
4.0 lb (1.8g)
12.00" (30.5 cm) Length
8" (20.3 cm) Diameter

area. An oversize loop makes tying off the strainer easy. The coupling is made from hard anodized aluminum and rotates easily on a polymer bearing ring.

MODEL	COUPLING
A02NJ	2.5" NH (64 mm) Swivel Female Rocker Lug
A02NP	4.0" NH (102 mm) Swivel Female Rocker Lug
A02HNT	5.0" NH (127 mm) Swivel Female Long Handle
A02HNX	6.0" NH (152 mm) Swivel Female Long Handle
A02SP	4.0" (102 mm) Storz

FLOATING BARREL STRAINER

The Floating Barrel Strainer includes an integrated detachable float that is compact, and both the float and strainer are constructed of rugged, corrosion proof, hi-tech polymers. The flow efficient design permits high

flows and can be used in open bodies of water or portable tanks. The swivel inlet allows quick and easy installation to suction hose.



A06
9.2 lb (4.3 kg)
21.3" (51.4 cm) Length
14.9" (37.8 cm) Width
10.5" (26.7 cm) Height

- **Extremely Lightweight** – Float and strainer basket made from corrosion proof hi-tech polymers.
- **Easily Detachable Float** – Quick conversion to simple barrel strainer

- **Compact** – Stores in small space
- **Flow Efficient Design** – Permits high flows
- **Versatile** – Can be used in open bodies of water, or portable tanks
- **Swivel Inlet Fitting** – Quick and easy installation to suction hose
- **Low-riding Barrel** – Reduces risk of roll-over

MODEL	COUPLING
A06HNT	5.0"NHF (127 mm) Swivel Female Long Handle
A06HNX	6.0"NHF (152 mm) Swivel Female Long Handle
A06NJ	2.5" NHF (64 mm) Swivel Female Rocker Lug
A06NP	4.0" NHF (102 mm) Swivel Female Rocker Lug
A06SL	3.0" (76 mm) Storz
A06SP	4.0" (102 mm) Storz
A06ST	5.0" (127 mm) Storz

FLOATING LOW-LEVEL STRAINER WITH JET SIPHON

Flotation device allows TFT high volume low-level strainer to collect water from ponds, lakes, and rivers while minimizing intake of sediment. The strainer inlet, made of hard anodized and powder-coated aluminum, hangs 18" (45.7 cm) below water level to avoid sucking surface air and bottom debris. Capable of supporting up to 30 ft (9 m) of hose, the strainer extends well beyond safety ledges of residential ponds. The clog-resistant stainless steel filter has over twice as much flow area as a 6" hose. This keeps friction loss down to 0.5 psi (0.03 bar) at 1500 gpm (5678 l/min) and reduces the potential for air vortexes to form. Oversized

sealed ball pivot allows 45° range of hose angle without constricting the flow path. Jet Siphon substantially increases suction lift capability and is also useful for tank shuttle, pump priming and dewatering with no need for a trash pump. Jet Siphon has 1.5" (38 mm) female hose threaded coupling that pivots freely to avoid hose kinks. Rugged polyethylene float is yellow for high visibility and nests compactly over the strainer for minimal storage space. Float removal is not necessary for low level use, although a tethered latching hinge pin allows the float to be removed or installed instantly if desired.




A03HNX-JET-F
Shown with 6" (152 mm) threaded coupling and float in operational position.

A03HNX-JET-F
Shown with 6" (152 mm) threaded coupling and float in storage position.

33.2 lb (15.1 kg)
12.9" (32.8 cm) Height
14.9" (37.8 cm) Width
27.1" (68.8 cm) Depth

MODEL	COUPLING	JET SIPHON	FLOATING
A03NP-JET-F	4.0" (102 mm) Swivel Female Rocker Lug	Jet Siphon with 1.5" (38 mm) Female Pivoting Inlet	Yes
A03HNR-JET-F	4.5" (114 mm) Swivel Female Long Handle		
A03HNT-JET-F	5.0" (127 mm) Swivel Female Long Handle		
A03HNX-JET-F	6.0" NH (152 mm) Swivel Female Long Handle		
A03SP-JET-F	4.0" (102 mm) Storz		
A03ST-JET-F	5.0" (127 mm) Storz		
A03SX-JET-F	6.0" (152 mm) Storz+		
A03HNXJETFIF	6.0" NH (152 mm) Swivel Female Long Handle	Jet Siphon 1.5" NPSH (38 mm) Female Pivoting Inlet	

+ All 6" Storz couplings have an adjustable seal compression feature.



The New Force in Firefighting™

2022 Product Line

**Your Source
For Premium,
Competitively
Priced
Firefighting
Solutions**

INTRODUCTION

TFT's New Force Family of Products

TFT's New Force family of products are designed to help you fight fires, not your budget. New Force products are competitively priced, yet feature packed and made with quality at TFT's Headquarters in the USA. Products within the New Force line include a wide range of nozzles, foam attachments and portable systems, portable ground monitors, and a ball intake valve. All of the items are backed by strong warranties and TFT's responsive technical service and support.

New Force is Global

Firefighters around the globe are using TFT New Force products. The G-Force nozzle line is a highly customizable platform with a wide range of options for fixed, selectable, and automatic nozzles. To make it easier for our customers, we've designed a section in the following pages with the most popular US (Domestic) and Canada nozzles and another section that includes the most frequently purchased items by our International customers. If you need any assistance in finding the nozzle best for you, contact your local TFT New Force dealer or your Territory Sales Manager. A list of TFT Sales Managers are available at tft.com.

New Force Customers (USA)

New Force are available at the same price from any authorized New Force dealer in the US or from TFT's US New Force Amazon store. This ensures you always receive the very best value and shipping on these products is free in 2022!

New Force Customers (International)

New Force are available at a competitive price from any authorized New Force dealer. Due to varying shipping, VAT, and trade restrictions, as well as currency fluctuations, TFT does not utilize a MAP (Minimum Advertised Price) policy for international customers.

Warranty

All TFT New Force items include a Limited 5 Year Warranty. For full warranty details, see the Statement of Warranty and Repair in the Customer Support and Order Information section of the catalog.



BlitzForce



FlipJet



FOAMJET



TRANSFORMER PIERCING NOZZLE



PRO/pak



Low Profile Ball Intake Valve



THE CHIMNEY SNUFFER



G-FORCE® NOZZLES

High Performance Features



Based on a highly customizable global nozzle platform design, the unique G-Force series of fixed, selectable, and automatic nozzles combine over 40 years of Task Force Tips design innovation and experience into true next generation firefighting tools. Manufactured exclusively at TFT's USA production facilities, the G-Force series is supported by an extensive infrastructure of 24-hour technical service representatives, on-line

documentation, digital video training library, exclusive product serialization and tracking capabilities, and a proven 5 year product warranty. Incorporating unique performance components such as a stainless steel slide valve, inlet debris screen and protective fog pattern choices, the G-Force series delivers high performance and rugged dependability in a low cost package.



Integral Inlet Screen on all slide valve models and 1.5" (38 mm) models prevents debris from entering nozzle and affecting stream quality

Serialization provides trackability and immediate access to on-line operational instructions

Color-Coded Polymer Pistol Grip, and Valve Handle Covers offer rugged durability in harsh firefighting conditions

Flush without nozzle shutdown or pattern adjustment

Large Index Ring with Indicator allows easy flow, or flush selections with a gloved hand

Integral Tactile Indicator provides optional preset pattern selection

- Choice of:
- Fixed Pressure and Flow
 - Selectable Flow with Fixed Pressure, or
 - Automatic Pressure and Variable Flow Choices

- Choice of:
- Tip Only
 - Shutoff
 - Shutoff with Grip Models

Stainless Steel Slide Valve provides turbulence-free flow control when gated

Available IMPULSE™ Trigger Nozzle System

Bonded Rubber Bumper provides maximum durability in harsh conditions

- Choice of:
- Fixed Cut Metal
 - Fixed Molded Rubber
 - Metal Spinning Teeth (shown)

Lightweight Hard Anodized Aluminum Alloy Body includes permanent laser engraved operational markings and highly visible reflective labeling

#GF3C1S Model Shown

* Many models are FM Approved. For a complete list of FM Approved models, visit tft.com

G-FORCE® NOZZLES

High Performance Features



Tip Only, Shutoff and Shutoff with Grip Models

With hundreds of available models, the G-Force series offers two piece tip only and ball valve configurations for break-and-extend operations, as well as one piece nozzles with an integrated slide valve. All models, including two piece ball valve configurations, can be ordered with a color coded pistol grip and valve handle cover.



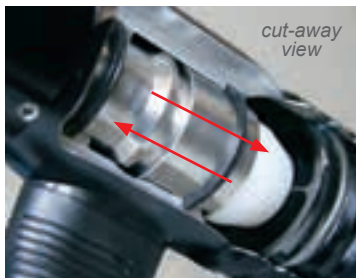
Fixed Cut Metal, Molded Rubber, or Metal Spinning Teeth



All models may be ordered with your choice of diamond cut fixed metal, fixed molded rubber, or metal spinning teeth. All fog teeth are designed to provide superior pattern performance and outstanding firefighter protection without bent, broken, or missing teeth. The bonded rubber bumper provides long term rugged dependability even in the harshest firefighting conditions.

Rugged Color Coded Valve Handle and Pistol Grip

Ergonomically shaped pistol grip, valve handle and covers made from super tough polymer for rugged dependability. Eleven available colors allow for customization for pump discharge hoseline identification, for specific fire apparatus, specific stations or department.



cut-away view

Stainless Steel Slide Valve

Unique slide style valve with positive valve position detents provides turbulence-free stream performance even when gating the nozzle.



Integral Debris Screen

Inlet screen on all slide valve models and 1.5" (38 mm) models prevents pattern destroying debris from entering the nozzle and becoming lodged. Items that pass through the screen are easily flushed out the front of the nozzle.

Flush without Pattern Adjustment or Nozzle Shut Off

Nozzles can be easily and effectively flushed of unwanted and pattern destroying debris that enters the nozzle without shutting down or changing pattern selection during hazardous firefighting conditions.



Reflective Labeling and Permanent Laser Markings

Reflective clear coated labeling provides a visually reflective image at night or in dark conditions. High contrast laser engraved operational controls are permanently marked for a lifetime of rugged service.

Model Serialization

Each nozzle is permanently marked with a unique serial number that aids in departmental asset tracking, manufacture date, model identification, and easily tracks service and warranty activities. Web enabled online serial number search also provides immediate access to all operational and service documentation.



Index Ring

Large, easy to grip index ring provides both visual and tactile indication of operational flow or flush choices.

Tactile Pattern Position Indicator

Tactile indicator preset to straight stream position offers optional pattern selection detent. The quick change pattern adjustment allows straight stream to a wide protective fog pattern with one simple hand motion.



G-FORCE® DOMESTIC NOZZLES

Order Matrix



Make your choices from each column from a chart below to configure your nozzle and yield a part number. Choose the **1** series either "G" or "GD" and the **2** inlet. Choose the **3** style and **4** pressure control (detailed info for styles and pressure controls on the next page). Choose the **5** shaper control and last, choose the style of fog teeth **6**.

1.0" (25 mm) Selectable and Automatic G-Force Models

1	2	3	4	5	6	
Series	Inlet	Style	Pressure Control	Shaper Control	Fog Teeth	
GD	D 1.0" (25 mm) NH Female	1 Tip-Only (No Shutoff Valve)	F Selectable 15/30/45/60/75 gpm @ 100 psi (60/110/170/230/285 l/min @ 7 bar)	1 Fixed Tactile Indicator	F Fixed Molded Rubber	
	F 1.5" (38 mm) NH Female	2 One Piece Nozzle with Slide Valve (No Pistol Grip)	G Selectable 15/30/45/60/75 gpm @ 75 psi (60/110/170/230/285 l/min @ 5 bar)	2 Tactile Indicator with Pattern Detent	S Spinning Metal	
	Consult factory for other coupling options.		3 One Piece Nozzle with Slide Valve and Pistol Grip	N Automatic 20-80 gpm @ 100 psi (75-300 l/min @ 7 bar)		M Fixed Cut Metal
			5 Two Piece Nozzle with Tip-Only and Ball Valve Shutoff (No Pistol Grip)	P Automatic 20-80 gpm @ 75 psi (75-300 l/min @ 5 bar)		
			6 Two Piece Nozzle with Tip-Only and Ball Valve Shutoff with Pistol Grip			
			7 Impulse Nozzle with Trigger Flow Control			

1.5" (38 mm) Fixed, Selectable and Automatic G-Force Models

1	2	3	4	5	6	
Series	Inlet	Style	Pressure Control	Shaper Control	Fog Teeth	
G	F 1.5" (38 mm) NH Female	1 Tip-Only (No Shutoff Valve)	A Fixed 150 gpm @ 100 psi (570 l/min @ 7 bar)	1 Fixed Tactile Indicator	F Fixed Molded Rubber	
	Consult factory for other coupling options.		2 One Piece Nozzle with Slide Valve (No Pistol Grip)	B Fixed 150 gpm @ 75 psi (570 l/min @ 5 bar)	2 Tactile Indicator with Pattern Detent	S Spinning Metal
			3 One Piece Nozzle with Slide Valve and Pistol Grip	C Selectable 30/60/95/125/150 gpm @ 100 psi (110/230/360/470/570 l/min @ 7 bar)		M Fixed Cut Metal
			5 Two Piece Nozzle with Tip-Only and Ball Valve Shutoff (No Pistol Grip)	D Selectable 30/60/95/125/150 gpm @ 75 psi (110/230/360/470/570 l/min @ 5 bar)		
			6 Two Piece Nozzle with Tip-Only and Ball Valve Shutoff with Pistol Grip	E Automatic 60-150 gpm @ 100 psi (230-570 l/min @ 7 bar)		
			7 Impulse Nozzle with Trigger Flow Control	F Automatic 60-150 gpm @ 75 psi (230-570 l/min @ 5 bar)		

G-FORCE® DOMESTIC NOZZLES

Flow and Pressure Choices



Fixed Pressure and Flow

Optimal straight stream and fog pattern performance are achieved at a single rated flow and single rated pressure.

Selectable Flow with Fixed Pressure

Optimal straight stream and fog pattern performance are achieved at the selected flow and the single rated pressure.

Automatic Pressure / Variable Flow

Optimal straight stream and fog pattern performance are achieved over the rated flow range at the rated pressure.

1.5" (38 mm) G-Force Flow and Pressure

A	Fixed 150 gpm @ 100 psi (570 l/min @ 7 bar)
B	Fixed 150 gpm @ 75 psi (570 l/min @ 5 bar)
C	Selectable 30/60/95/125/150 gpm @ 100 psi (110/230/360/470/570 l/min @ 7 bar)
D	Selectable 30/60/95/125/150 gpm @ 75 psi (110/230/360/470/570 l/min @ 5 bar)
E	Automatic 60-150 gpm @ 100 psi (230-570 l/min @ 7 bar)
F	Automatic 60-150 gpm @ 75 psi (230-570 l/min @ 5 bar)

1.0" (25 mm) G-Force Flow and Pressure

F	Selectable 15/30/45/60/75 gpm @ 100 psi (60/110/170/230/285 l/min @ 7 bar)
G	Selectable 15/30/45/60/75 gpm @ 75 psi (60/110/170/230/285 l/min @ 5 bar)
N	Automatic 20-80 gpm @ 100 psi (75-300 l/min @ 7 bar)
P	Automatic 20-80 gpm @ 75 psi (75-300 l/min @ 5 bar)



Style of Valve

- 1 G-Force 1.0" (25 mm) Tip-Only (No Shutoff Valve)
- 2 G-Force 1.0" and 1.5" (25 and 38 mm) One Piece Nozzle with Slide Valve (No Pistol Grip)
- 3 G-Force 1.0" and 1.5" (25 and 38 mm) One Piece Nozzle with Slide Valve and Pistol Grip
- 5 G-Force 1.0" and 1.5" (25 and 38 mm) Two Piece Nozzle with Tip-Only and Ball Valve Shutoff (No Pistol Grip)
- 6 G-Force 1.0" and 1.5" (25 and 38 mm) Two Piece Nozzle with Tip-Only and Ball Valve Shutoff with Pistol Grip
- 7 G-Force 1.0" and 1.5" (25 and 38 mm) Impulse Nozzle with Trigger Flow Control



Impulse™ Trigger Valve System

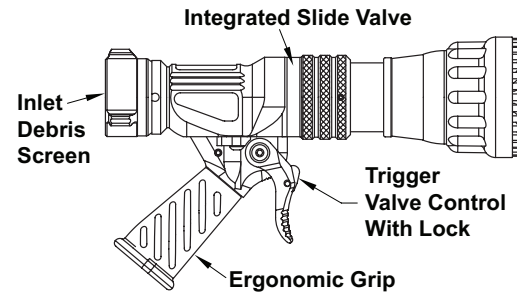
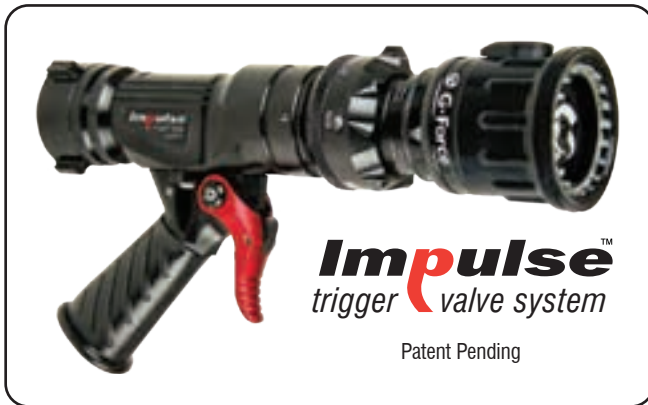
Task Force Tips has never been afraid to challenge the status quo of initial attack firefighting.

The revolutionary IMPULSE trigger valve system can now be integrated into many G-Force firefighting nozzles as an option.

The innovative integration of a trigger actuator with TFT's globally recognized slide style of valve, provides complete nozzle operator flow control with only a single hand, allowing the other hand to consistently control stream pattern selection. The trigger controller operates smoothly

and easily throughout the nozzle's rated flow and pressure range, and offers the ability to hold multiple valve positions at the operator's discretion. The unique ergonomic pistol grip compliments the trigger valve design and greatly reduces operator fatigue.

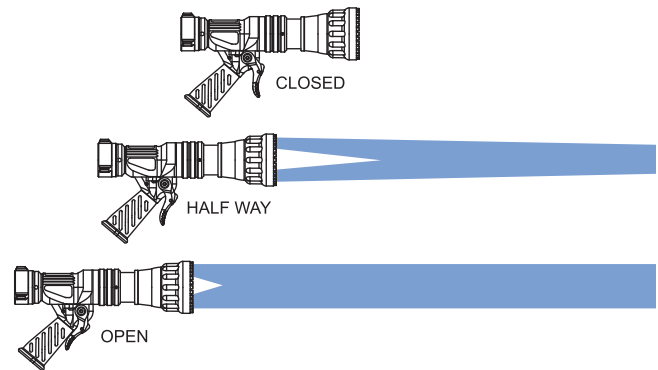
- Ergonomic Pistol Grip w/available color coding
- Trigger Valve Controller with removable flow lock
- Integrated Slide Style Shut Off Valve
- Front Protective Bumper with Multiple Fog Tooth Designs



G-Force Nozzle with Impulse Trigger Valve System Order Matrix

Refer to G-Force nozzle order matrix on previous pages, and choose Style 7 when adding the optional Impulse trigger valve to your nozzle selection(s).

3		Style
7		Impulse Nozzle with Trigger Flow Control



G-FORCE® INTERNATIONAL NOZZLES

Order Matrix

Build Your G-Force Nozzle: From the charts on the following pages select the series, inlet, style, pressure control, shaper control and fog teeth from each column to configure your nozzle and yield a part number.

1 Choose Series

38 mm (1.5") nozzles are Series "G"

25 mm (1") nozzles are Series "GD"

38 mm (1.5") EN/Pulsing nozzles are Series "GP"

25 mm (1") EN/Pulsing nozzles are Series "GDP"

2 Choose Inlet

Consult factory for other coupling options.

3 Choose Style of Valve

Nozzle with Integral Slide Valve Shutoff

Nozzle with integral slide valve provides turbulence-free flow control and five detent flow positions.

Nozzle with Integral Slide Valve Shutoff and Pistol Grip

Nozzle with integral valve and pistol grip provides turbulence free flow control and five detent flow positions.

Nozzle with IMPULSE™ Trigger Operated Slide Valve Shutoff and Pistol Grip

Trigger flow control with pistol grip and integrated slide valve provides turbulence free flow control and four locking positions.

4 Choose Flow and Pressure

Fixed Pressure and Flow

Optimal straight stream and fog pattern performance are achieved at a single rated flow and single rated pressure.

Selectable Flow with Fixed Pressure

Optimal straight stream and fog pattern performance are achieved at the selected flow and the single rated pressure.

Automatic Pressure / Variable Flow

Optimal straight stream and fog pattern performance are achieved over the rated flow range at the rated pressure.

Automatic Pressure/Variable Flow with choice of Selectable High/Low or High/Medium/Low Flow Ranges

Optimal straight stream and fog pattern performance are achieved over the rated flow range at the rated pressure. User determined flow limiting selections allow automatic pressure regulation while restricting maximum flow.

Automatic Pressure/Variable Flow with Automatic Override

Optimal straight stream and fog pattern performance are achieved over the rated flow range at the rated pressure. An automatic override provides higher volumes at reduced operational pressures. Some models also offer user determined flow limiting selections allowing automatic pressure regulation while restricting maximum flow.

5 Choose Shaper Control– Tactile Pattern Position Indicator

Fixed Tactile Indicator

Indicates straight stream pattern selection.

Tactile Indicator with Pattern Detent

Indicator incorporates a detent setting at a defined and set pattern selection. Tactile and audible detent will be set to partial fog pattern, unless specified otherwise.

6 Choose Fog Teeth

Choose from fixed molded rubber, spinning metal or fixed cut metal.

7 EN15182-4 PN40 High Pressure

A subset of 25 mm (1") G-Force options are available as EN15182-4 certified for PN 40 high pressure. These models are identified by an "H" in the 7th column of the EN 15182-4 PN 40 / Pulsing High Pressure Nozzles Order Matrix Chart. For 38 mm (1.5") G-Force PN40 options, see asterisk note on the chart.

Example: A G-Force nozzle (Series G), with a 65 mm BIC Male inlet (Inlet H), styled with valve and pistol grip (Style 3), with a pressure control selection of automatic 230-570 l/min @ 7 bar (Pressure Control E), with a tactile indicator detent for shaper control (Shaper Control 2), and fixed molded rubber fog teeth (Fog Teeth F), would yield part number: GH3E2F

1	2	3	4	5	6
Series	Inlet	Style	Pressure Control	Shaper Control	Fog Teeth
G	H 65 mm (2.5") BIC Male	3 One Piece Nozzle with Slide Valve and Pistol Grip	E Automatic 60-150 gpm @ 100 psi 230-570 l/min @ 7 bar	2 Tactile Indicator with Pattern Detent	F Fixed Molded Rubber

G-FORCE® INTERNATIONAL NOZZLES

38 mm (1.5") Order Matrix

1 Series	2 Inlet		3 Style	4 Pressure Control		5 Shaper Control		6 Fog Teeth		
G	B	38 mm (1.5") BSP Female	2	One Piece Nozzle with Slide Valve	A	Fixed 570 l/min @ 7 bar (150 gpm @ 100 psi)	1	Fixed Tactile Indicator	F	Fixed Molded Rubber
	E	52 mm Storz	3	One Piece Nozzle with Slide Valve and Pistol Grip	B	Fixed 570 l/min @ 5 bar (150 gpm @ 75 psi)	2	Tactile Indicator with Pattern Detent	S	Spinning Metal
	F	38 mm (1.5") NH Female	7	Impulse Nozzle with Trigger Flow Control	C	Selectable 30/60/95/125/150 gpm @ 100 psi			M	Fixed Metal
	H	65 mm (2.5") BIC Male			D	Selectable 30/60/95/125/150 gpm @ 75 psi				
	J	65 mm (2.5") NH Female			N	Selectable 110/230/360/470/570 l/min @ 7 bar				
	R	65 mm (2.5") BSP Male			P	Selectable 110/230/360/470/570 l/min @ 5 bar				
	S	65 mm (2.5") Chinese Snap Fit			Q	Selectable 100/200/300/400/500 l/min @ 5 bar				
	U	38 mm Storz			E	Automatic 230-570 l/min @ 7 bar 60-150 gpm @ 100 psi				
	M	Articulated* 65 mm (2.5") BIC Male			F	Automatic 230-570 l/min @ 5 bar 60-150 gpm @ 75 psi				
	Consult factory for other coupling options.				H	Automatic 30-95 or 95-150 gpm @ 100 psi				
					S	Automatic 100-360 or 360-570 l/min @ 7 bar				
					G	Automatic 60-150 gpm, Automatic Override @ 100 psi				
				R	Automatic 250-570 l/min, Automatic Override @ 7 bar					

G-FORCE® INTERNATIONAL NOZZLES

25 mm (1") Order Matrix

1 Series	2 Inlet	3 Style	4 Pressure Control	5 Shaper Control	6 Fog Teeth
GD		1 Tip-Only (w/o shutoff valve)	F Selectable 15/30/45/60/75 gpm @ 100 psi	1 Fixed Tactile Indicator	F Fixed Molded Rubber
	B 25 mm (1.0") BSP Female	2 One Piece Nozzle with Slide Valve (no pistol grip)	G Selectable 15/30/45/60/75 gpm @ 75 psi	2 Tactile Indicator with Pattern Detent	S Spinning Metal
	D 25 mm (1.0") NH Female	3 One Piece Nozzle with Slide Valve and Pistol Grip	H Selectable 60/110/170/230/285 l/min @ 7 bar		M Fixed Metal
	F 38 mm (1.5") NH Female	7 Impulse Nozzle with Trigger Flow Control	J Selectable 60/110/170/230/285 l/min @ 5 bar		
	H 25 mm (1.0") NPSH Female		N Automatic 75-300 l/min @ 7 bar (20-80 gpm @ 100 psi)		
	K 25 mm Storz		P Automatic 75-300 l/min @ 5 bar (20-80 gpm @ 75 psi)		
	M 52 mm Storz		W Automatic with override 75-300 l/min @ 7 bar		
	Q 65 mm (2.5") BIC Male				
	Consult factory for other coupling options.				

G-FORCE® INTERNATIONAL NOZZLES

38 mm (1.5") EN15182 Certified / Pulsing Nozzles Order Matrix



Offering many unique flow and pressure options, all G-Force pulsing nozzles provide maximum stream velocity and a consistent water droplet size from the initial opening of the nozzle throughout the entire rated flow range. Developed for maximum cooling of fire gases and minimal

disruption of the thermal balance in three dimensional fire environments, G-Force high performance pulsing nozzles have been produced to provide rugged durability in the harshest of firefighting operations.

Build Your Pulsing or Pulsing High Pressure G-Force Nozzle from the charts on the following pages select the **1** series, **2** inlet, **3** style, **4** pressure control, **5** shaper control **6** fog teeth and **7** high pressure from each column to configure your nozzle and yield a part number.

1	2	3	4	5	6					
Series	Inlet	Style	Pressure Control	Shaper Control	Fog Teeth					
GP	A	25 mm (1.0") BSP Female	2	One Piece Nozzle with Slide Valve	A	Selectable EN 100/250/500 l/min @ 6 bar	1	Fixed Tactile Indicator	F	Fixed Molded Rubber
	B	38 mm (1.5") BSP Female	3	One Piece Nozzle with Slide Valve and Pistol Grip	B	Selectable EN 100/235/400 l/min @ 6 bar	2	Tactile Indicator with Pattern Detent	S	Spinning Metal
	C	50 mm (2.0") BSP Female	7	Impulse Nozzle with Trigger Flow Control**	C	Selectable EN 50/100/150 l/min @ 6 bar			M	Fixed Metal
	D	50 mm (2.0") BSP Male			W	Selectable EN 100/235 l/min @ 6 bar				
	E	52 mm Storz			Y	Selectable EN 100/200/300/400/500 l/min @ 6 bar				
	F	38 mm (1.5") NH Female			D	Automatic EN 100-500 l/min @ 6 bar				
	H	65 mm (2.5") BIC Male	** Impulse Nozzle default certification is EN15182-2 PN 16. Impulse Nozzles with Pressure Control options C are certified to EN15182-4 PN 40 when equipped with a 25 mm (1.0") coupling.		E	Automatic EN 100-400 l/min @ 6 bar				
	R	65 mm (2.5") BSP Male			F	Automatic EN / Pulsing 250/500 l/min @ 6 bar Automatic Override				
	K	Articulated* 38 mm (1.5") BSP Female			G	Automatic EN / Pulsing 235/400 l/min @ 6 bar Automatic Override				
	L	Articulated* 50 mm (2.0") BSP Male			J	Automatic EN / Pulsing 250/500 l/min @ 6 bar				
	M	Articulated* 65 mm (2.5") BIC Male			U	Automatic EN / Pulsing 500 l/min @ 6 bar Automatic Override				
	*Articulated couplings are subject to additional cost. Consult factory for other coupling options.			There are additional models in this series, not listed here, that have international certifications and approvals. Please refer to tft.com for additional information.						

G-FORCE® INTERNATIONAL NOZZLES

25 mm (1") EN 15182-2 PN 16 / Pulsing Nozzles Order Matrix



1 Series	2 Inlet	3 Style	4 Pressure Control	5 Shaper Control	6 Fog Teeth
GDP	A 19 mm (.75") BSP Female	2 One Piece Nozzle with Slide Valve (no pistol grip)	D Selectable EN 40/100/150/200 l/min @ 6 bar	1 Fixed Tactile Indicator	F Fixed Molded Rubber
	B 25 mm (1.0") BSP Female	3 One Piece Nozzle with Slide Valve and Pistol Grip	E Selectable EN 40/100/150/235 l/min @ 6 bar	2 Tactile Indicator with Pattern Detent	S Spinning Metal
	C 38 mm (1.5") BSP Female	7 Impulse Nozzle with Trigger Flow Control	F Selectable EN 100/235/400 l/min @ 6 bar		M Fixed Metal
	D 25 mm (1.0") NH Female		M Automatic EN 60-150 l/min @ 6 bar		
	G 50 mm (2.0") BSP Male		N Automatic EN 60-400 l/min @ 6 bar		
	K 25 mm Storz		T Automatic EN 40-300 l/min @ 6 bar, Automatic Override		
	M 52 mm Storz		U Automatic EN / Pulsing 235/ 400 l/min @ 6 bar, Automatic Override		
	N 38 mm (1.5") BIC Male				

G-FORCE® INTERNATIONAL NOZZLES

25 mm (1") EN 15182-4 PN 40 / Pulsing High Pressure Nozzles Order Matrix



1 Series	2 Inlet	3 Style	4 Pressure Control	5 Shaper Control	6 Fog Teeth	7 High Pressure
GDP	A 19 mm (.75") BSP Female	2 One Piece Nozzle with Slide Valve (no pistol grip)	D Selectable EN 100/150/200 l/min @ 6 bar	1 Fixed Tactile Indicator	F Fixed Molded Rubber	H
	B 25 mm (1.0") BSP Female	3 One Piece Nozzle with Slide Valve and Pistol Grip	E Selectable EN 100/150/235 l/min @ 6 bar	2 Tactile Indicator with Pattern Detent	S Spinning Metal	
	D 25 mm (1.0") NH Female	7 Impulse Nozzle with Trigger Flow Control	F Selectable EN 100/235/400 l/min @ 6 bar		M Fixed Metal	
		8 One Piece Nozzle with Ball Valve and Pistol Grip	M Automatic EN 60-150 l/min @ 6 bar			
			N Automatic EN 60-400 l/min @ 6 bar			
			T Automatic EN 40-300 l/min @ 6 bar, Automatic Override			
			U Automatic EN / Pulsing 235/ 400 l/min @ 6 bar, Automatic Override			
		Consult factory for other coupling options.				
			Pressure Controls D, E, and M are compatible with Styles 2, 3, 7 or 8. Pressure Controls F, N and U are only compatible with Styles 2 or 3.			

*Articulated couplings are subject to additional cost. Consult factory for other coupling options.

G-FORCE® FOAM ATTACHMENTS
FOAMJET™

Low and Multi-Expansion foam attachments are designed specifically to enhance foam application performance through the G-Force Series of fixed, selectable gallonage, and automatic nozzles.

Attachments are easily added or removed using a simple clamping mechanism that attaches to the nozzle's front bumper. Produced from lightweight polymers or rubber, both the low expansion and multi-expansion attachments are ideally suited for Class A and flammable liquid applications.

The multi-expansion attachment offers flexibility by allowing the user to independently achieve both increased reach and higher foam expansion ratios with the same tool in different stream settings. The low expansion attachment can be ideal for Class A and most Class B foam agents and allows for greater distance of reach for rapid fire knockdown from a safe distance.

G-Force Foam attachments are compatible with most Class A and Class B Foams



Low Expansion Short Tube FJ-GD



Multi-Expansion FJ-UMX-G FJ-MX-G



Low Expansion FJ-LX-U-G FJ-LX-G

Foam Jet Order Matrix

	Low Expansion Short Tube	Low Expansion Long Tube	Multi-Expansion
1.0" G-Force	FJ-GD	FJ-LX-U-G	FJ-UMX-G
1.5" G-Force		FJ-LX-G	FJ-MX-G



FLIP TIP® NOZZLES



Flip Tip® Tip-Only

The Tip-Only Model is an ideal choice for an addition to any ball valve shut off. Integrating your choice of two smoothbore combinations, the Flip Tip quickly and positively allows the initial attack team a choice of flows as well as outstanding stream performance.

- Lightweight and Compact Design
- Tips Easily Removed for Line Extension
- Multiple Smoothbore Choices Both Front and Rear

Flip Tip® with Integrated Ball Shutoff

Integrated with a high volume ball shutoff, the combination Flip Tip provides a single nozzle that offers a choice of hard hitting straight streams. The detent style ball shutoff allows positive operator control and the rugged durability of polymer handles and pistol grip.

- Optional Color Coded Pistol Grip and Valve Handle Covers at No Additional Charge
- High Volume Detent Valve for Maximum Performance
- Compact Integrated Design

Flip Tip® with Integrated Ball Shutoff and G-Force Nozzle

Integrated with a high volume ball shutoff and your choice of G-Force combination nozzle, the Flip Tip provides a single nozzle that offers both a hard hitting smoothbore and high performance combination nozzle. The detent style ball shutoff allows positive operator control, choice of 100 psi or low pressure 75 psi operation (7 or 5 bar), and fixed molded rubber, spinning metal, or fixed cut metal fog teeth.

- Choice of Fixed, Selectable, or Automatic Tip
- Integrated Combination Nozzle and Smoothbore Base
- Choice of Operational Pressures and Fog Tooth Designs
- Optional Color Coded Pistol Grip and Valve Handle Covers at No Additional Charge

FLIP TIP® Performance Features

Front Tip Orifice Choice

Flip Tip's front component accepts one of 7 different orifice choices. Providing flows from 50 up to 290 gpm (200 up to 1100 l/min), the tip can be easily removed allowing hose to be connected and extended. All tips have knurled swiveling couplings and a unique tapered waterway for maximum stream quality.



Rear Tip Orifice Choice

The rear component of the Flip Tip is available in 6 different orifice sizes and provides water flows starting at 150 gpm (570 l/min). All uniquely tapered tip inserts are designed to offer high performance water or compressed air foam streams, and are held securely in place during rugged initial attack operations.



Stream Straightener

To provide maximum stream performance, all 1.5" Flip Tip Models integrate a lightweight stream straightener directly into the rear coupling system.



For high rise operation, where debris can be an issue, or to maximize compressed air foam stream performance, the insert can be easily removed.

Our standard 2.5" Flip Tip models utilize an optimized waterway in place of this stream straightener. A special rear coupling system is available if a removable stream straightener is preferred.

Pivot Lock Mechanism

The Flip Tip can be quickly and securely changed from small tip to large tip during firefighting operations using a positive twist lock mechanism that prevents unintentional movement. The locking ring is easily rotated with a wet or foamy gloved hand.



FLIP TIP® NOZZLES Domestic and International Features

Build Your Flip Tip Nozzle from the charts on the next pages to select the series, inlet, style, rear tip, front tip or pressure control, shaper control and fog teeth from each column to configure your nozzle and yield a part number.

1 Choose Series

FTT Series (tip only and integrated ball shutoff), or FTG Series (integrated ball shutoff and G-Force nozzle).

2 Choose Inlet

Consult factory for other coupling options.

3 Choose Style of Valve**Tip Only Nozzle with No Shutoff (FTT series only)**

Tip only nozzle with no shutoff, often used in combination with a separate ball style shutoff valve.

Nozzle with Valve Shutoff

Nozzle with integral ball shutoff valve.

Nozzle with Valve Shutoff and Pistol Grip

Nozzle with integral ball shutoff valve and pistol grip.

4 Choose Rear Tip

The rear component of the Flip Tip is available in 6 different orifice sizes.

5 Choose Front Tip

Flip Tip's front component accepts one of 7 different orifice choices. (FTT series only)

6 Choose Flow and Pressure**■ Fixed Pressure and Flow**

Optimal straight stream and fog pattern performance are achieved at a single rated flow and single rated pressure.

■ Selectable Flow with Fixed Pressure

Optimal straight stream and fog pattern performance are achieved at the selected flow and the single rated pressure.

■ Automatic Pressure / Variable Flow

Optimal straight stream and fog pattern performance are achieved over the rated flow range at the rated pressure.

■ Automatic Pressure/Variable Flow with choice of Selectable High/Low or High/Medium/Low Flow Ranges (International only)

Optimal straight stream and fog pattern performance are achieved over the rated flow range at the rated pressure. User determined flow limiting selections allow automatic pressure regulation while restricting maximum flow.

■ Automatic Pressure/Variable Flow with Automatic Override (International only)

Optimal straight stream and fog pattern performance are achieved over the rated flow range at the rated pressure. An automatic

override provides higher volumes at reduced operational pressures. Some models also offer user determined flow limiting selections allowing automatic pressure regulation while restricting maximum flow.

7 Choose Shaper Control– Tactile Pattern Position Indicator**Fixed Tactile Indicator**

Indicates straight stream pattern selection.

Tactile Indicator with Pattern Detent

Indicator incorporates a detent setting at a defined and set pattern selection. Tactile and audible detent will be set to partial fog pattern, unless specified otherwise. (International only)

8 Choose Fog Teeth

Choose from fixed molded rubber, spinning metal or fixed metal.

FLIP TIP® NOZZLES DOMESTIC ORDER MATRIX

Flip Tip® Tip-Only
SAMPLE PART NUMBER
FTTF132



Flip Tip® with Integrated Ball Shutoff and G-Force Nozzle
SAMPLE PART NUMBER
FTGF34F1F



Flip Tip® with Integrated Ball Shutoff
SAMPLE PART NUMBER
FTTF341



Flip Tip Tip-Only or with Integrated Ball Shutoff

Series	Inlet	Style	Rear Tip	Front Tip
FTT	F 1.5" (38 mm) NH Female	1 Tip Only	3 7/8" (22 mm)	1 1/2" (13 mm)
	J 2.5" (64 mm) NH Female	2 Valve	4 15/16" (24 mm)	2 5/8" (16 mm)
		3 Valve and Pistol Grip	5 1.0" (25 mm)	3 7/8" (22 mm)
			6 1 1/8" (29 mm)	4 15/16" (24 mm)
			7 1 1/4" (32 mm)	5 1" (25 mm)
			8 1 3/8" (35 mm)	6 1 1/8" (29 mm)
				7 1 3/16" (30 mm)

Additional threads available upon request.

Choose your Flip Tip model, from one of the charts shown, then make your choices from each column to configure your Flip Tip nozzle and yield a part number. Example Part Number: FTGF37D1S Choose the **1** series, the **2** inlet, the **3** style, the **4** rear tip, the **5** front tip, the **6** pressure control, the **7** shaper control, and the **8** fog teeth.

Flip Tip with Integrated Ball Shutoff and G-Force Nozzle

Series	Inlet	Style	Rear Tip	Pressure Control	Shaper Control	Fog Teeth
FTG	F 1.5" (38 mm) NH Female	2 Valve	3 7/8" (22 mm)	A Fixed 150 gpm @ 100 psi (570 l/min @ 7 bar)	1 Fixed Tactile Indicator	F Fixed Molded Rubber
		3 Valve and Pistol Grip	4 15/16" (24 mm)	B Fixed 150 gpm @ 75 psi (570 l/min @ 5 bar)		S Spinning Metal
			5 1.0" (25 mm)	C Selectable 30/60/95/125/150 gpm @ 100 psi (110/230/360/470/570 l/min @ 7 bar)		M Fixed Cut Metal
			6 1 1/8" (29 mm)	D Selectable 30/60/95/125/150 gpm @ 75 psi (110/230/360/470/570 l/min @ 5 bar)		
			7 1 1/4" (32 mm)	E Automatic 150 gpm @ 100 psi (570 l/min @ 7 bar)		
			8 1 3/8" (35 mm)	F Automatic 150 gpm @ 75 psi (570 l/min @ 5 bar)		

Additional threads available upon request.

FLIP TIP® NOZZLES INTERNATIONAL ORDER MATRIX

Example From Order Matrix:

A Flip Tip nozzle (Series FTG), with a 38 mm BSP Female inlet (Inlet B), styled with valve and pistol grip (Style 3), with a 25 mm rear tip (Rear Tip 5), pressure control selection of automatic 230-570 l/min @ 5 bar (Pressure Control F), with a fixed tactile indicator (Shaper Control 1), and spinning metal fog teeth (Fog Teeth S), would yield part number: FTGB35F1S

* Some smoothbore Flip Tip models are certified to EN 15182-3 PN 16. For a complete list of certified models, visit tft.com. Additional threads available upon request.

Flip Tip Tip Only or with Integrated Ball Shutoff

Series	Inlet	Style	Rear Tip	Front Tip
FTT*	F 38 mm (1.5") NH Female	1 Tip Only	3 22 mm (7/8")	1 13 mm (1/2")
	J 64 mm (2.5") NH Female	2 Valve	4 24 mm (15/16")	2 16 mm (5/8")
		3 Valve and Pistol Grip	5 25 mm (1.0")	3 22 mm (7/8")
			6 29 mm (1 1/8")	4 24 mm (15/16")
			7 32 mm (1 1/4")	5 25 mm (1")
			8 35 mm (1 3/8")	6 29 mm (1 1/8")
				7 30 mm (1 3/16")

Flip Tip with Integrated Ball Shutoff and G-Force Nozzle

Series	Inlet	Style	Rear Tip	Pressure Control	Shaper Control	Fog Teeth	
FTG	B 38 mm (1.5") BSP Female	2 One Piece Nozzle with Valve	3 22 mm (7/8")	A Fixed 570 l/min @ 7 bar (150 gpm @ 100 psi)	1 Fixed Tactile Indicator	F Fixed Molded Rubber	
	E 52 mm Storz	3 One Piece Nozzle with Valve and Pistol Grip	4 24 mm (15/16")	B Fixed 570 l/min @ 5 bar (150 gpm @ 75 psi)	2 Tactile Indicator with Pattern Detent	S Spinning Metal	
	F 38 mm (1.5") NH Female		5 25 mm (1.0")	C Selectable 115/225/360/475/570 @ 7 bar (30/60/95/125/150 gpm @ 100 psi)		M Fixed Metal	
	J 65 mm (2.5") NH Female		6 29 mm (1 1/8")	D Selectable 115/225/360/475/570 @ 5 bar (30/60/95/125/150 gpm @ 75 psi)			
	U 38 mm Storz		7 32 mm (1 1/4")	N Selectable 110/230/360/470/570 l/min @ 7 bar (30/60/95/124/150 gpm @ 100 psi)			
	Consult factory for other coupling options.			8 35 mm (1 3/8")	P Selectable 110/230/360/470/570 l/min @ 5 bar (30/60/95/124/150 gpm @ 75 psi)		
					Q Selectable 100/200/300/400/500 l/min @ 5 bar (26/53/80/105/132 gpm @ 75 psi)		
					E Automatic 230-570 l/min @ 7 bar (60-150 gpm @ 100 psi)		
					F Automatic 230-570 l/min @ 5 bar (60-150 gpm @ 75 psi)		
				H Automatic 115-360 or 360-570 l/min @ 7 bar (30-95 or 95-150 gpm @ 100 psi)			
				S Automatic 100-360 or 360-570 l/min @ 7 bar (27-95 or 95-150 gpm @ 100 psi)			
				G Automatic 225-570 l/min, Automatic Override @ 7 bar (60-150 gpm, Automatic Override @ 100 psi)			
			R Automatic 250-570 l/min, Automatic Override @ 7 bar (66-150 gpm, Automatic Override @ 100 psi)				

PORTABLE MULTI-PURPOSE FOAM SYSTEM

PRO/pak®

TFT's PRO/pak foam injection and application system is the ideal choice and works with most Class A and Class B foams.

Everything you need is contained in one package that attaches to the end of your 1 or 1½" (25 or 38 mm) fire hose. The PRO/pak has a high impact 2.5 gal. (9.5 l) foam reservoir with a built-in eductor that can be set to the ratio of foam or wetting agents being used. A large, easy-open fill port has an indicator to show the type of liquid in the tank. Flow is controlled by a twist grip valve that also functions as a carrying handle.

With three different quick connect nozzles included, the PRO/pak system is capable of producing low or medium expansion finished foam, while operating at low inlet pressures.

- Rapid Suppression Foam System That Is Rugged, Compact and Lightweight
- Works with most Class A and Class B Foam Concentrates
- Inlet Pressures from 40 to 500 psi (3 to 34.5 bar), with a Nominal Flow of 12 gpm at 100 psi (45 l/min at 7 bar)



Additional threads available upon request. Individual components can be purchased separately. A complete list of accessories is available online.



Model	Coupling	Thread	Units/Text
UM12	1.0" (25 mm)	NH	US/English
UM12-NF	1.5" (38 mm)	NH (Angled Coupling)	US/English
UM45-25MM	25 mm (1.0")	Storz (Angled Coupling)	Metric/English
UM45-BD	1.0" (25 mm)	BSP	Metric/English
UM45-SH	52 mm (2.0")	Storz (Angled Coupling)	Metric/English
UMP45-BD	1.0" (25 mm)	BSP	Metric/Portuguese
UMP45-SH	52 mm (2.0")	Storz (Angled Coupling)	Metric/Portuguese
UMS45-BD	1.0" (25 mm)	BSP	Metric/Spanish
UMS45-NF	1.5" (38 mm)	NH (Angled Coupling)	Metric/Spanish
UPG-45-BD	1.0" (25 mm)	BSP	Metric/German
UPI-45-BD	1.0" (25 mm)	BSP	Metric/Italian

PRO/pak Individual Components

U-B	PRO/pak Storage Bracket
U-LX12	Low Expansion Nozzle
U-SS12	Straight Stream Nozzle
U-MX12	Medium Expansion Nozzle
U-HS	Discharge Hose 2.7 ft (82cm)
U-HS6	Discharge Hose 6 ft (1.8 m)
U-HS12	Discharge Hose 12 ft (3.7 m)
U-HS25	Discharge Hose 25 ft (7.6 m)

PORTABLE LIGHTWEIGHT ATTACK MONITOR BLITZFORCE™

BlitzForce Lightweight Portable Attack Monitor

The BlitzForce is one of Task Force Tips' innovative, lightweight, and highly versatile portable attack monitors. Rated up to 500 gpm (1,890 l/min), BlitzForce integrates a low loss waterway with positive locking valve control, and a corrosion resistant anodized and powder coat finish. An exclusive high strength tie-down strap and carbide tipped folding legs offer extreme stability in varying fire environments. With an integral stream shaper for superior reach and penetration performance, the BlitzForce delivers a 20° side to side (40° total) and a 20° to 60° up and down range of stream motion. A five year warranty, stainless steel apparatus mounting bracket, and your choice of combination nozzle or stacked tips are standard.

Small, Lightweight and Compact Design

Weighing just 14.5 lbs. (6.6 kg), the BlitzForce stores securely for a rapid deployment in a space of only 19" x 9" x 12", (48 x 23 x 30 cm) and a ground hugging 26" (66 cm) wide when deployed for initial attack.

High Flow, Low Loss Waterway

Full flow 2" (51 mm) waterway provides 500 gpm (1,890 l/min) initial attack flows with only 8 psi (0.5 bar) loss. A removable internal stream straightener is standard, and the valve design provides positive locking in the closed position.

Optional Oscillation

The BlitzForce OSC monitor features a water driven turbine that when engaged, allows the nozzle to automatically sweep 10°, 15°, or 20° either side of center. The simple to use oscillating mechanism can be disengaged allowing manual horizontal rotation.

Maximum Stability in Harsh Conditions

High strength folding aluminum alloy legs include replaceable carbide

tip spikes and integrated nylon kneepads for maximum stability during operation. The BlitzForce also incorporates an exclusive, quickly deployed, high strength tie down strap to prevent unintentional monitor movement.

High Performance Fire Streams Flexibility

With horizontal rotation of 20° either side of center, and an elevation range 30° to 60° in unassisted mode, or a low 20° angle when assisted, the BlitzForce provides amazing operational versatility. Each monitor package comes with a choice of a combination nozzle, or triple stacked tips 1", 1 ¼", and 1 ½" (25, 32, 38 mm) with laser engraved flow charts.

Rugged Durability

Each monitor is produced from hardcoat anodized aluminum alloy, stainless steel, and is powder coated for maximum corrosion and abrasion resistance. Permanent laser engraved operational instructions, reflective labeling, unique product serialization, and a stainless apparatus mounting bracket are all standard.



BLITZFORCE™ Portable Monitor Packages

BLITZFORCE PACKAGE MODEL	BLITZFORCE MONITOR	NOZZLE	ACCESSORY
XXLG-32-CN1	XXL171A-CN BLITZFORCE 80 MM CSF IN/2.5" NH OUT	ZN12A ZN NOZZLE 2.5"-7.5 NH	XXL-B STORAGE BRACKET - BLITZFORCE
XXLG-32-CN2	XXL161A-CN BLITZFORCE 75 MM STORZ INLET/2.5" NHM OUT	ZN12A ZN NOZZLE 2.5"-7.5 NH	XXL-B STORAGE BRACKET - BLITZFORCE
XXLG-32-CN3	XXL121A-CN BLITZFORCE 2.5" BSPM INLET/2.5" NHM OUTLET	ZN12A ZN NOZZLE 2.5"-7.5 NH	XXL-B STORAGE BRACKET - BLITZFORCE
XXLG-32-NH1	XXL111A BLITZFORCE 2.5" INLET and OUTLET	ZN12A ZN NOZZLE 2.5"-7.5 NH	XXL-B STORAGE BRACKET - BLITZFORCE
XXLG-42-NH1	XXL111A BLITZFORCE 2.5" INLET and OUTLET	MST-3NJ 3 STACKED TIPS - 2.5" NHF	XXL-B STORAGE BRACKET - BLITZFORCE
XXLG-52-BJ1	XXL112A BLITZFORCE 2.5" BSP INLET/OUTLET	MD22A MAX-FORCE TIP 2.5" BSP	XXL-B STORAGE BRACKET - BLITZFORCE

PORTABLE LIGHTWEIGHT OSCILLATING ATTACK MONITOR

BLITZFORCE™ Oscillating



**BlitzForce Lightweight Portable Attack Monitor
Optional Oscillation**

The BlitzForce OSC monitor has the same features as the standard BlitzForce monitor and includes a water driven turbine that when engaged, allows the nozzle to automatically sweep 10°, 15°, or 20° either side of center. The simple to use oscillating mechanism can be disengaged allowing manual horizontal rotation.

BLITZFORCE™ OSC Portable Monitor Packages

BLITZFORCE OSC PACKAGE MODEL	BLITZFORCE OSC MONITOR	NOZZLE	ACCESSORY
XXLC-33-BJ1	XXL212A BLITZFORCE OSCILLATOR 2.5" BSP IN/OUTLET	ZN22A ZN NOZZLE 2.5"-11 BSP	XXL-B STORAGE BRACKET - BLITZFORCE
XXLC-33-CN1	XXL271A-CN BLITZFORCE OSCILLATOR 80 MM CSF IN/2.5" NH OUTLET	ZN12A ZN NOZZLE 2.5"-7.5 NH	XXL-B STORAGE BRACKET - BLITZFORCE
XXLC-33-NH1	XXL211A BLITZFORCE OSCILLATOR 2.5" NH IN/OUTLET	ZN12A ZN NOZZLE 2.5"-7.5 NH	XXL-B STORAGE BRACKET - BLITZFORCE
XXLC-43-NH1	XXL211A BLITZFORCE OSCILLATOR 2.5" NH IN/OUTLET	MST-3NJ 3 STACKED TIPS - 2.5" NHF	XXL-B STORAGE BRACKET - BLITZFORCE
XXLC-53-BJ1	XXL212A BLITZFORCE OSCILLATOR 2.5" BSP IN/OUTLET	MD22A MAX-FORCE TIP 2.5" BSP	XXL-B STORAGE BRACKET - BLITZFORCE
XXLC-53-NH1	XXL211A BLITZFORCE OSCILLATOR 2.5" NH IN/OUTLET	MD12A MAX-FORCE TIP 2.5" NHF	XXL-B STORAGE BRACKET - BLITZFORCE

LOW PROFILE BALL INTAKE VALVE™

Providing maximum flow performance in an extremely compact package, this low profile intake/discharge ball style valve delivers incredible value for critical apparatus or industrial water supply operations. Lightweight aluminum alloy construction is hardcoated and powder coated for maximum corrosion resistance, even in the harshest fireground applications.

An integrated pressure relief valve offers operator selected pressure choices to provide protection to hose and pumping systems from unwanted pressure spikes. Unique ball style shutoff allows the valve to remain dry when closed. An air bleed valve permits unwanted air to escape simplifying water supply pumping operations.

- Compact lightweight design fits easily into tight pump panel configurations
- 5 Year warranty against corrosion
- Integrated adjustable pressure relief valve provides fast reacting high volume protection from water hammers in the hose lines
- Individually serialized for tracking and continued service and technical support
- Highly visible valve position indicator and slow close operation exceeds all standards requirements
- Flow efficient waterway has less than 5 psi (0.3 bar) loss at the rated 1250 gpm (4730 l/min) flow



Dimensional Maximum
SAMPLE PART NUMBER

- **ABD3ST-NX**
- 16.0 lbs (7.3 kg)**
- 14.6" (37.1 cm) Height**
- 11.4" (29.0 cm) Width**
- 12.0" (30.5 cm) Depth**

		Hose Side Connection		
		4" (102 mm) Storz	5" (127 mm) Storz	6" (152 mm) Storz
Pump Side NH Threads	Threads			
	5" (127 mm) Female Swivel Rocker Lug	ABD3SP-NT	ABD3ST-NT	ABD3SX-NT
	6" (152 mm) Female Swivel Rocker Lug	ABD3SP-NX	ABD3ST-NX	ABD3SX-NX

		Hose Side NH Threads			
		4" (102 mm) Rigid Male	4.5" (114 mm) Rigid Male	5" (127 mm) Rigid Male	6" (152 mm) Rigid Male
Pump Side NH Threads	Threads				
	5" (127 mm) Female Swivel Rocker Lug	ABD8NP-NT	ABD8NR-NT	ABD8NT-NT	ABD8NX-NT
	6" (152 mm) Female Swivel Rocker Lug	ABD8NP-NX	ABD8NR-NX	ABD8NT-NX	ABD8NX-NX

		Hose Side NH Threads			
		4" (102 mm) Female Swivel Rocker Lug	4.5" (114 mm) Female Swivel Rocker Lug	5" (127 mm) Female Swivel Rocker Lug	6" (152 mm) Female Swivel Rocker Lug
Pump Side NH Threads	Threads				
	5" (127 mm) Female Swivel Rocker Lug	ABD7NP-NT	ABD7NR-NT	ABD7NT-NT	
	6" (152 mm) Female Swivel Rocker Lug	ABD7NP-NX	ABD7NR-NX	ABD7NT-NX	ABD7NX-NX

**PIERCING NOZZLE
TRANSFORMER™ PA1**

The Transformer PA1 Piercing Nozzle System is designed to deliver water or foam solutions to areas inaccessible to the fire fighter. A series of jets near the point apply a wide reaching pattern at a rated flow of 150 gpm @ 100 psi (570 l/min @ 7 bar).

The PA1 system includes a unique twist-grip shutoff valve, a 3 port junction block with striking head, 2 extension tubes, and the flow tube with piercing point. The easy to use and rugged, twist-grip shutoff valve, regulates nozzle flow without the need for an additional shutoff valve.

The 3 port junction block and striking head allow the nozzle to be configured to short, medium, long and L shaped combinations, making it easily adaptable to specific fireground situations.

The PA1 system features a hardened steel piercing point, all extension tubes and valve are constructed of hardcoated extruded aluminum, and a sturdy nylon carrying bag with compartments for each component is included.



Individual components can be purchased separately. A complete list of accessories is available online.



PA1	Inlet
Includes: 2 - 19" (48 cm) Extension Tubes, 1 - 14" (36 cm) Flow Tube with Piercing Point, Twist-Grip Shutoff Valve, 3 Port Junction Block with Striking Head, and Nylon Carry Bag	1.5" (38 mm) NH Female
PA1-52MM	Inlet
Includes: 2 - 19" (48 cm) Extension Tubes, 1 - 14" (36 cm) Flow Tube with Piercing Point, Twist-Grip Shutoff Valve, 3 Port Junction Block with Striking Head, and Nylon Carry Bag	52 mm (2.0") Storz
PA1-CSF	Inlet
Includes: 2 - 19" (48 cm) Extension Tubes, 1 - 14" (36 cm) Flow Tube with Piercing Point, Twist-Grip Shutoff Valve, 3 Port Junction Block with Striking Head, and Nylon Carry Bag	65 mm (2.5") Chinese Snap Fit Inlet

**PIERCING NOZZLE
TRANSFORMER™ PA2**

The Transformer PA2 Piercing Nozzle System is designed to deliver water or foam solutions to areas inaccessible to the fire fighter. A series of jets near the point apply a wide reaching pattern at a rated flow of 150 gpm @ 100 psi (570 l/min @ 7 bar).

The PA2 system includes a distribution nozzle rated at 150 gpm (570 l/min), that provides a wide fully filled pattern, and an adapter allowing the distributor nozzle to be used on any 1 1/2" (38 mm) NH threaded hoseline.

Also included is a unique twist-grip shutoff valve, a 3 port junction block with striking head, pistol grip, 2 extension tubes, and the flow tube with

piercing point. The easy to use and rugged, twist-grip shutoff valve, regulates nozzle flow without the need for an additional shutoff valve.

The 3 port junction block and striking head allow the nozzle to be configured to short, medium, long and L shaped combinations, making it easily adaptable to specific fireground situations.

The PA2 system features a hardened steel piercing point, an aluminum and stainless distribution nozzle, all extension tubes, pistol grip and valve are constructed of hardcoated extruded aluminum, and a sturdy nylon carrying bag with compartments for each component is included.



Individual components can be purchased separately. A complete list of accessories is available online.

PA2	Inlet
Includes: 2 - 19" (48 cm) Extension Tubes, 1 - 14" (36 cm) Flow Tube with Piercing Point, Twist-Grip Shutoff Valve, Pistol Grip, 3 Port Junction Block with Striking Head, Distribution Nozzle, Adapter, and Nylon Carry Bag	1.5" (38 mm) NH Female



THE CHIMNEY SNUFFER™

The Chimney Snuffer quickly and safely suppresses chimney fires using an ultra-fine spray, greatly reducing potential water damage. The durable 5 pound (2.3 kg) nozzle head is simply operated by a single firefighter and easily breaks through potential blockages within the chimney.

Eight strategically placed nozzles provide 40 gallons (150 liters) per hour at 60 psi (4 bar), allowing the Chimney Snuffer to be supplied by an attack line, 1" (25 mm) line, or even a garden hose. The entire package weighs less than 15 pounds (6.8 kg) and is easily stored in an apparatus compartment. The Chimney Snuffer Nozzle head and garden hose adapter can be purchased separately.

- Package Includes Nozzle Head, Burn Resistant Rubber Hose, 1" (25 mm) Ball Style Shut Off, 1 1/2 x 1" (38 x 25 mm) Adapter and a 3/4" x 1.0" (19 mm x 25 mm) Garden Hose Adapter
- Compact, Lightweight and Simple to Deploy
- Ideal for Use in ALL Types of Chimney Liners (Metal, Masonry or Ceramic)
- Head Easily Breaks Through Creosote Buildup, Nests or Other Debris



A3830
 Nozzle Head, Rubber Hose, 1" (25 mm) Ball Shutoff, 1 1/2 x 1" (38 x 25 mm) Adapter, and 3/4" (19 mm) Garden Hose Adapter

A3831
 Nozzle Head, and 3/4" (19 mm) Garden Hose Adapter





**ADAPTERS
CAPS & PLUGS
COUPLINGS
ELBOWS
WRENCHES
TOOLS**

THREAD CHARTS

The following charts list many commonly used threads. Task Force Tips manufactures products with any thread required. Call Task Force Tips customer service for assistance with any special thread code needed.

NATIONAL STANDARD (NH or NST)			STRAIGHT IRON PIPE (NPSH, IPT, or SIPT)			TAPERED PIPE (NPT, TPT, or TIPT)		BRITISH STANDARD PIPE (BSP)			GARDEN HOSE (GHT)			
	ODM	TFT CODE		ODM	TFT CODE		TFT CODE		ODM	TFT CODE		ODM	TPI	TFT CODE
1.0-8 NH	1.375	ND	1.0-11.5 NPSH	1.295	ID	1.0" NPT	TD	1.0-11 BSP	1.309	BD	3/4-11.5 NH	1.062	11.5	GHT
1.5-9 NH	1.990	NF	1.5-11.5 NPSH	1.878	IF	1.5" NPT	TF	1.5-11 BSP	1.882	BF	NEW YORK CORP (NYC)			
			2.0-11.5 NPSH	2.352	IH	2.0" NPT	TH	2.0-11 BSP	2.347	BH	Size	ODM	TPI	TFT CODE
2.5-7.5 NH	3.069	NJ	2.5-8 NPSH	2.843	IJ	2.5" NPT	TJ	2.5-11 BSP	2.960	BJ	1.5"	2.093	11	Q
3.0-6 NH	3.624	NL	3.0-8 NPSH	3.470	IL	3.0" NPT	TL	3.0-11 BSP	3.480	BL	2.5"	3.000	8	J
3.5-6 NH	4.244	NN	3.5-8 NPSH	3.970	IN	3.5" NPT	TN	3.5-11 BSP	3.950	BN	NEW YORK CITY (FDNY)			
4.0-4 NH	5.000	NP	4.0-8 NPSH	4.470	IP	4.0" NPT	TP	4.0-11 BSP	4.450	BP	Size	ODM	TPI	TFT CODE
4.5-4 NH	5.761	NR	4.5-8 NPSH	4.970	IR			4.5-11 BSP	4.950	BR	1.5"	2.100	8	U
5.0-4 NH	6.260	NT	5.0-8 NPSH	5.524	IT	5.0" NPT	TT	5.0-11 BSP	5.450	BT	2.5"	3.030	8	L
6.0-4 NH	7.025	NX	6.0-8 NPSH	6.581	IX	6.0" NPT	TX	6.0-11 BSP	6.450	BX	PACIFIC COAST (PCT)			

Standard threads for TFT are National Standard (NH or NST), Straight Iron Pipe (NPSH, IPT or SIPT), Garden Hose (GHT), British Standard Pipe (BSP), and Tapered Iron Pipe (NPT, TPT or TIPT).

OTHER US 2.5" THREADS			
CITY	ODM	TPI	TFT CODE
Buffalo, NY	3.0570	8	C
Cincinnati, OH	3.0580	6	M
Cleveland, OH	3.0781	8	CP
Denver, CO	3.0920	8	CM
Detroit, MI	3.1250	7.5	A
Omaha, NE	3.0781	8	CP
Phoenix, AZ	3.0620	6	M
Pittsburgh, PA	3.0625	6	M
Salt Lake City, UT	3.2500	6	G
Toledo, OH	3.0000	8	AI

OTHER CANADIAN 2.5" THREADS			
CITY	ODM	TPI	TFT CODE
Alberta Mutual Aid (AMA)	2.990	8	AMA
British Columbia (BCT)	3.0000	8	J
Canadian Standards Assoc. (CSA)	3.1250	5	AT
Province of Quebec Std. (QST)	3.0310	7	AR
Western Canada Fire Under (WCT)	3.2500	6	G
Nova Scotia - Zone 1 (NOVA)	3.2340	5	CE
Quebec Montreal Combination (QMT)	3.0310	7	AR

Size	ODM	TPI	TFT CODE
1.5"	2.100	11	Q
2.5"	3.035	7.5	AU

CHICAGO HOSE			
Size	ODM	TPI	TFT CODE
1.5"	1.946	11.5	AB
2.5"	3.043	7	W

CHICAGO FIRE DEPARTMENT (CFD)			
Size	ODM	TPI	TFT CODE
1.5"	1.933	11.5	AB
2.5"	2.990	7.5	P
4.5"	5.761	4	NR

DETERMINING THREAD DIMENSIONS

How to determine your thread dimensions if Leaf Thread Gage and O.D. Tape are not available.

- 1) Cut a strip of paper about 1" wide and long enough to completely encircle the male thread.
- 2) Wrap this paper snugly around the male thread making sure it is against the shoulder all the way around. Pierce the paper with a pin at some point where the paper overlaps. (Figure 1)
- 3) Using your thumb, press firmly against the threads round the entire circumference to leave an impression of the thread. This impression in the paper is used to determine the threads per inch. (Figure 2)
- 4) Remove the paper strip and circle pin holes with pencil.
- 5) The distance between the pin holes divided by 3.1416 equals the ODM (outside diameter of the male).
- 6) The impressions on the paper give the number of threads per inch (TPI) Both the ODM and TPI are needed. (Figure 3)
- 7) You may use the same method to determine the outside diameter (OD) of a hose.

Note: Do not measure a badly worn thread. If only a worn thread is available, send the male fitting to TFT for an accurate determination of the thread dimensions. Both the ODM and the TPI are needed for ordering purposes. Unified thread form supplied unless otherwise specified.

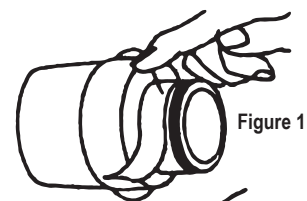


Figure 1

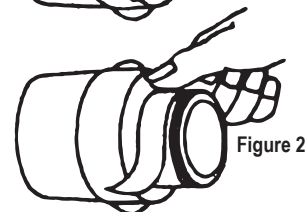


Figure 2

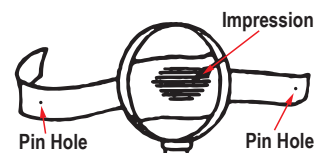


Figure 3

ADAPTERS - AA Series, Threaded

TFT AA series threaded adapters are designed for pressure or vacuum service on a hydrant, pumper or on the ground. Their maximum operating pressure is 300 psi (20 bar) and they are compliant to NFPA 1964 2018 edition which dictates a 900 psi (62 bar) hydrostatic strength test. The aluminum parts are hardcoat anodized per MIL-A-8625F Type III, Class 2

for maximum corrosion protection. Adapters are permanently marked with the thread size and TPI per NFPA. 2.5" and smaller swivel connections use stainless steel ball bearings, not piston rings, to ensure longevity and easy serviceability. 3.0" and larger connections use polymer bearing rings which provide electrical isolation to help prevent galvanic corrosion.

STYLE 53R AA10 SERIES - Swivel Rocker Lug to Rigid Rocker Lug



PART NO	DESCRIPTION	ADDITIONAL DESCRIPTION
AA10IF-TH	ADAPTER 1.5"NPSHF X 2.0"NPTF	SWIVEL ROCKER LUG TO RIGID ROCKER LUG
AA10NF-TH	ADAPTER 1.5"NHF X 2.0"NPTF	SWIVEL ROCKER LUG TO RIGID ROCKER LUG
AA10NJ-TH	ADAPTER 2.5"NHF X 2.0"NPTF	SWIVEL ROCKER LUG TO RIGID ROCKER LUG

STYLE 57L AA7H SERIES - Swivel Female Handle to Swivel Female Handle



PART NO	DESCRIPTION	ADDITIONAL DESCRIPTION
AA7HNP-NP	ADAPTER 4.0"NHF X 4.0"NHF	SWIVEL FEMALE HANDLE - BOTH ENDS
AA7HNX-IP	ADAPTER 6.0"NHF X 4.0"NPSHF	SWIVEL FEMALE HANDLE - BOTH ENDS
AA7HNX-NP	ADAPTER 6.0"NHF X 4.0"NHF	SWIVEL FEMALE HANDLE - BOTH ENDS
AA7HNX-NR	ADAPTER 6.0"NHF X 4.5"NHF	SWIVEL FEMALE HANDLE - BOTH ENDS
AA7HNX-NT	ADAPTER 6.0"NHF X 5.0"NHF	SWIVEL FEMALE HANDLE - BOTH ENDS
AA7HNX-NX	ADAPTER 6.0"NHF X 6.0"NHF	SWIVEL FEMALE HANDLE - BOTH ENDS

STYLE 35R AA7 SERIES - Swivel Female Rocker Lug to Swivel Female Rocker Lug



PART NO	DESCRIPTION	ADDITIONAL DESCRIPTION
AA7ID-ID	ADAPTER 1.0"NPSHF X 1.0"NPSHF	SWIVEL ROCKER LUG TO SWIVEL ROCKER LUG
AA7ND-ND	ADAPTER 1.0"NHF X 1.0"NHF	SWIVEL ROCKER LUG TO SWIVEL ROCKER LUG
AA7BF-BF	ADAPTER 1.5"BSPF X 1.5"BSPF	SWIVEL ROCKER LUG TO SWIVEL ROCKER LUG
AA7IF-IF	ADAPTER 1.5"NPSHF X 1.5"NPSHF	SWIVEL ROCKER LUG TO SWIVEL ROCKER LUG
AA7NF-IF	ADAPTER 1.5"NHF X 1.5"NPSHF	SWIVEL ROCKER LUG TO SWIVEL ROCKER LUG
AA7NF-NF	ADAPTER 1.5"NHF X 1.5"NHF	SWIVEL ROCKER LUG TO SWIVEL ROCKER LUG
AA7IH-NJ	ADAPTER 2.0"NPSHF X 2.5"NHF	SWIVEL ROCKER LUG TO SWIVEL ROCKER LUG
AA7IJ-IF	ADAPTER 2.5"NPSHF X 1.5"NPSHF	SWIVEL ROCKER LUG TO SWIVEL ROCKER LUG
AA7NJ-IF	ADAPTER 2.5"NHF X 1.5"NPSHF	SWIVEL ROCKER LUG TO SWIVEL ROCKER LUG
AA7NJ-NF	ADAPTER 2.5"NHF X 1.5"NHF	SWIVEL ROCKER LUG TO SWIVEL ROCKER LUG
AA7BJ-BJ	ADAPTER 2.5"BSPF X 2.5"BSPF	SWIVEL ROCKER LUG TO SWIVEL ROCKER LUG
AA7IJ-IJ	ADAPTER 2.5"NPSHF X 2.5"NPSHF	SWIVEL ROCKER LUG TO SWIVEL ROCKER LUG
AA7NJ-BJ	ADAPTER 2.5"NHF X 2.5"BSPF	SWIVEL ROCKER LUG TO SWIVEL ROCKER LUG
AA7NJ-IJ	ADAPTER 2.5"NHF X 2.5"NPSHF	SWIVEL ROCKER LUG TO SWIVEL ROCKER LUG
AA7NJ-NJ	ADAPTER 2.5"NHF X 2.5"NHF	SWIVEL ROCKER LUG TO SWIVEL ROCKER LUG
AA7NJ-TJ	ADAPTER 2.5"NHF X 2.5"NPTF	SWIVEL ROCKER LUG TO SWIVEL ROCKER LUG

Continued On Next Page

STYLE 35R AA7 SERIES - Swivel Female Rocker Lug to Swivel Female Rocker Lug



PART NO	DESCRIPTION	ADDITIONAL DESCRIPTION
AA7IL-NJ	ADAPTER 3.0"NPSH X 2.5"NHF	SWIVEL ROCKER LUG TO SWIVEL ROCKER LUG
AA7NL-NJ	ADAPTER 3.0"NHF X 2.5"NHF	SWIVEL ROCKER LUG TO SWIVEL ROCKER LUG
AA7TL-NJ	ADAPTER 3.0"NPTF X 2.5"NHF	SWIVEL ROCKER LUG TO SWIVEL ROCKER LUG
AA7NP-NJ	ADAPTER 4.0"NHF X 2.5"NHF	SWIVEL ROCKER LUG TO SWIVEL ROCKER LUG
AA7TP-NJ	ADAPTER 4.0"NPTF X 2.5"NHF	SWIVEL ROCKER LUG TO SWIVEL ROCKER LUG
AA7NP-NL	ADAPTER 4.0"NHF X 3.0"NHF	SWIVEL ROCKER LUG TO SWIVEL ROCKER LUG
AA7NP-BP	ADAPTER 4.0"NHF X 4.0"BSPF	SWIVEL ROCKER LUG TO SWIVEL ROCKER LUG
AA7NP-NP	ADAPTER 4.0"NHF X 4.0"NHF	SWIVEL ROCKER LUG TO SWIVEL ROCKER LUG
AA7NP-TP	ADAPTER 4.0"NHF X 4.0"NPTF	SWIVEL ROCKER LUG TO SWIVEL ROCKER LUG
AA7NR-NP	ADAPTER 4.5"NHF X 4.0"NHF	SWIVEL ROCKER LUG TO SWIVEL ROCKER LUG
AA7NX-NJ	ADAPTER 6.0"NHF X 2.5"NHF	SWIVEL ROCKER LUG TO SWIVEL ROCKER LUG
AA7NX-NL	ADAPTER 6.0"NHF X 3.0"NHF	SWIVEL ROCKER LUG TO SWIVEL ROCKER LUG
AA7NX-NP	ADAPTER 6.0"NHF X 4.0"NHF	SWIVEL ROCKER LUG TO SWIVEL ROCKER LUG
AA7NX-NR	ADAPTER 6.0"NHF X 4.5"NHF	SWIVEL ROCKER LUG TO SWIVEL ROCKER LUG
AA7NX-NX	ADAPTER 6.0"NHF X 6.0"NHF	SWIVEL ROCKER LUG TO SWIVEL ROCKER LUG

STYLE 37R AA5 SERIES - Rigid Female Rocker Lug to Rigid Male



PART NO	DESCRIPTION	ADDITIONAL DESCRIPTION
AA5GHT-ND	ADAPTER .75"GHTF X 1.0"NHM	RIGID FEMALE ROCKER LUG TO RIGID MALE
AA5ID-GHT	ADAPTER 1.0"NPSHF X .75"GHTM	RIGID FEMALE ROCKER LUG TO RIGID MALE
AA5ND-GHT	ADAPTER 1.0"NHF X .75"GHTM	RIGID FEMALE ROCKER LUG TO RIGID MALE
AA5BD-ND	ADAPTER 1.0"BSPF X 1.0"NHM	RIGID FEMALE ROCKER LUG TO RIGID MALE
AA5ID-ND	ADAPTER 1.0"NPSHF X 1.0"NHM	RIGID FEMALE ROCKER LUG TO RIGID MALE
AA5ID-TD	ADAPTER 1.0"NPSHF X 1.0"NPTM	RIGID FEMALE ROCKER LUG TO RIGID MALE
AA5ND-ID	ADAPTER 1.0"NHF X 1.0"NPSHM	RIGID FEMALE ROCKER LUG TO RIGID MALE
AA5ND-BD	ADAPTER 1.0"NHF X 1.0"BSPM	RIGID FEMALE ROCKER LUG TO RIGID MALE
AA5TD-ID	ADAPTER 1.0"NPTF X 1.0"NPSHM	RIGID FEMALE ROCKER LUG TO RIGID MALE
AA5TD-ND	ADAPTER 1.0"NPTF X 1.0"NHM	RIGID FEMALE ROCKER LUG TO RIGID MALE
AA5BD-NF	ADAPTER 1.0"BSPF X 1.5"NHM	RIGID FEMALE ROCKER LUG TO RIGID MALE
AA5ID-IF	ADAPTER 1.0"NPSHF X 1.5"NPSHM	RIGID FEMALE ROCKER LUG TO RIGID MALE
AA5ID-NF	ADAPTER 1.0"NPSHF X 1.5"NHM	RIGID FEMALE ROCKER LUG TO RIGID MALE
AA5ND-IF	ADAPTER 1.0"NHF X 1.5"NPSHM	RIGID FEMALE ROCKER LUG TO RIGID MALE
AA5ND-NF	ADAPTER 1.0"NHF X 1.5"NHM	RIGID FEMALE ROCKER LUG TO RIGID MALE
AA5TD-IF	ADAPTER 1.0"NPTF X 1.5"NPSHM	RIGID FEMALE ROCKER LUG TO RIGID MALE
AA5TD-NF	ADAPTER 1.0"NPTF X 1.5"NHM	RIGID FEMALE ROCKER LUG TO RIGID MALE
AA5IF-GHT	ADAPTER 1.5"NPSHF X .75"GHTM	RIGID FEMALE ROCKER LUG TO RIGID MALE
AA5NF-GHT	ADAPTER 1.5"NHF X .75"GHTM	RIGID FEMALE ROCKER LUG TO RIGID MALE
AA5BF-ND	ADAPTER 1.5"BSPF X 1.0"NHM	RIGID FEMALE ROCKER LUG TO RIGID MALE
AA5IF-ID	ADAPTER 1.5"NPSHF X 1.0"NPSHM	RIGID FEMALE ROCKER LUG TO RIGID MALE
AA5NF-ID	ADAPTER 1.5"NHF X 1.0"NPSHM	RIGID FEMALE ROCKER LUG TO RIGID MALE
AA5IF-ND	ADAPTER 1.5"NPSHF X 1.0"NHM	RIGID FEMALE ROCKER LUG TO RIGID MALE
AA5NF-ND	ADAPTER 1.5"NHF X 1.0"NHM	RIGID FEMALE ROCKER LUG TO RIGID MALE
AA5NF-TD	ADAPTER 1.5"NHF X 1.0"NPTM	RIGID FEMALE ROCKER LUG TO RIGID MALE

Continued On Next Page

STYLE 37R AA5 SERIES - Rigid Female Rocker Lug to Rigid Male



PART NO	DESCRIPTION	ADDITIONAL DESCRIPTION
AA5BF-NF	ADAPTER 1.5" BSPF X 1.5" NHM	RIGID FEMALE ROCKER LUG TO RIGID MALE
AA5IF-NF	ADAPTER 1.5" NPSHF X 1.5" NHM	RIGID FEMALE ROCKER LUG TO RIGID MALE
AA5IF-TF	ADAPTER 1.5" NPSHF X 1.5" NPTM	RIGID FEMALE ROCKER LUG TO RIGID MALE
AA5NF-BF	ADAPTER 1.5" NHF X 1.5" BSPM	RIGID FEMALE ROCKER LUG TO RIGID MALE
AA5NF-IF	ADAPTER 1.5" NHF X 1.5" NPSHM	RIGID FEMALE ROCKER LUG TO RIGID MALE
AA5NF-TF	ADAPTER 1.5" NHF X 1.5" NPTM	RIGID FEMALE ROCKER LUG TO RIGID MALE
AA5TF-IF	ADAPTER 1.5" NPTF X 1.5" NPSHM	RIGID FEMALE ROCKER LUG TO RIGID MALE
AA5TF-NF	ADAPTER 1.5" NPTF X 1.5" NHM	RIGID FEMALE ROCKER LUG TO RIGID MALE
AA5IF-NJ	ADAPTER 1.5" NPSHF X 2.5" NHM	RIGID FEMALE ROCKER LUG TO RIGID MALE
AA5NF-BJ	ADAPTER 1.5" NHF X 2.5" BSPM	RIGID FEMALE ROCKER LUG TO RIGID MALE
AA5NF-NJ	ADAPTER 1.5" NHF X 2.5" NHM	RIGID FEMALE ROCKER LUG TO RIGID MALE
AA5TH-IF	ADAPTER 2.0" NPTF X 1.5" NPSHM	RIGID FEMALE ROCKER LUG TO RIGID MALE
AA5TH-NF	ADAPTER 2.0" NPTF X 1.5" NHM	RIGID FEMALE ROCKER LUG TO RIGID MALE
AA5TH-TF	ADAPTER 2.0" NPTF X 1.5" NPTM	RIGID FEMALE ROCKER LUG TO RIGID MALE
AA5IH-NF	ADAPTER 2.0" NPSHF X 1.5" NHM	RIGID FEMALE ROCKER LUG TO RIGID MALE
AA5IH-IF	ADAPTER 2.0" NPSHF X 1.5" NPSHM	RIGID FEMALE ROCKER LUG TO RIGID MALE
AA5IH-NJ	ADAPTER 2.0" NPSHF X 2.5" NHM	RIGID FEMALE ROCKER LUG TO RIGID MALE
AA5TH-NJ	ADAPTER 2.0" NPTF X 2.5" NHM	RIGID FEMALE ROCKER LUG TO RIGID MALE
AA5TH-TJ	ADAPTER 2.0" NPTF X 2.5" NPTM	RIGID FEMALE ROCKER LUG TO RIGID MALE
AA5NJ-GHT	ADAPTER 2.5" NHF X .75" GHTM	RIGID FEMALE ROCKER LUG TO RIGID MALE
AA5NJ-ND	ADAPTER 2.5" NHF X 1.0" NHM	RIGID FEMALE ROCKER LUG TO RIGID MALE
AA5NJ-TD	ADAPTER 2.5" NHF X 1.0" NPTM	RIGID FEMALE ROCKER LUG TO RIGID MALE
AA5BJ-BF	ADAPTER 2.5" BSPF X 1.5" BSPM	RIGID FEMALE ROCKER LUG TO RIGID MALE
AA5BJ-NF	ADAPTER 2.5" BSPF X 1.5" NHM	RIGID FEMALE ROCKER LUG TO RIGID MALE
AA5IJ-IF	ADAPTER 2.5" NPSHF X 1.5" NPSHM	RIGID FEMALE ROCKER LUG TO RIGID MALE
AA5IJ-NF	ADAPTER 2.5" NPSHF X 1.5" NHM	RIGID FEMALE ROCKER LUG TO RIGID MALE
AA5IJ-TF	ADAPTER 2.5" NPSHF X 1.5" NPTM	RIGID FEMALE ROCKER LUG TO RIGID MALE
AA5NJ-IF	ADAPTER 2.5" NHF X 1.5" NPSHM	RIGID FEMALE ROCKER LUG TO RIGID MALE
AA5NJ-NF	ADAPTER 2.5" NHF X 1.5" NHM	RIGID FEMALE ROCKER LUG TO RIGID MALE
AA5NJ-TF	ADAPTER 2.5" NHF X 1.5" NPTM	RIGID FEMALE ROCKER LUG TO RIGID MALE
AA5TJ-IF	ADAPTER 2.5" NPTF X 1.5" NPSHM	RIGID FEMALE ROCKER LUG TO RIGID MALE
AA5TJ-NF	ADAPTER 2.5" NPTF X 1.5" NHM	RIGID FEMALE ROCKER LUG TO RIGID MALE
AA5NJ-TH	ADAPTER 2.5" NHF X 2.0" NPTM	RIGID FEMALE ROCKER LUG TO RIGID MALE
AA5BJ-NJ	ADAPTER 2.5" BSPF X 2.5" NHM	RIGID FEMALE ROCKER LUG TO RIGID MALE
AA5IJ-NJ	ADAPTER 2.5" NPSHF X 2.5" NHM	RIGID FEMALE ROCKER LUG TO RIGID MALE
AA5NJ-BJ	ADAPTER 2.5" NHF X 2.5" BSPM	RIGID FEMALE ROCKER LUG TO RIGID MALE
AA5NJ-IJ	ADAPTER 2.5" NHF X 2.5" NPSHM	RIGID FEMALE ROCKER LUG TO RIGID MALE
AA5NJ-TJ	ADAPTER 2.5" NHF X 2.5" NPTM	RIGID FEMALE ROCKER LUG TO RIGID MALE
AA5TJ-NJ	ADAPTER 2.5" NPTF X 2.5" NHM	RIGID FEMALE ROCKER LUG TO RIGID MALE
AA5NJ-NL	ADAPTER 2.5" NHF X 3.0" NHM	RIGID FEMALE ROCKER LUG TO RIGID MALE
AA5NJ-TL	ADAPTER 2.5" NHF X 3.0" NPTM	RIGID FEMALE ROCKER LUG TO RIGID MALE
AA5NJ-NR	ADAPTER 2.5" NHF X 4.5" NHM	RIGID FEMALE ROCKER LUG TO RIGID MALE
AA5IJ-IX	ADAPTER 2.5" NPSHF X 6.0" NPSHM	RIGID FEMALE ROCKER LUG TO RIGID MALE

Continued On Next Page

STYLE 37R AA5 SERIES - Rigid Female Rocker Lug to Rigid Male



PART NO	DESCRIPTION	ADDITIONAL DESCRIPTION
AA5IL-NJ	ADAPTER 3.0"NPSHF X 2.5"NHM	RIGID FEMALE ROCKER LUG TO RIGID MALE
AA5NL-NJ	ADAPTER 3.0"NHF X 2.5"NHM	RIGID FEMALE ROCKER LUG TO RIGID MALE
AA5TL-NJ	ADAPTER 3.0"NPTF X 2.5"NHM	RIGID FEMALE ROCKER LUG TO RIGID MALE
AA5TL-TJ	ADAPTER 3.0"NPTF X 2.5"NPTM	RIGID FEMALE ROCKER LUG TO RIGID MALE
AA5IL-NP	ADAPTER 3.0"NPSHF X 4.0"NHM	RIGID FEMALE ROCKER LUG TO RIGID MALE
AA5NL-NX	ADAPTER 3.0"NHF X 6.0"NHM	RIGID FEMALE ROCKER LUG TO RIGID MALE
AA5IL-IX	ADAPTER 3.0" NPSHF X 6.0"NPSHM	RIGID FEMALE ROCKER LUG TO RIGID MALE
AA5NN-NJ	ADAPTER 3.5"NHF X 2.5"NHM	RIGID FEMALE ROCKER LUG TO RIGID MALE
AA5NP-NJ	ADAPTER 4.0"NHF X 2.5"NHM	RIGID FEMALE ROCKER LUG TO RIGID MALE
AA5NP-TJ	ADAPTER 4.0"NHF X 2.5"NPTM	RIGID FEMALE ROCKER LUG TO RIGID MALE
AA5IP-NJ	ADAPTER 4.0"NPSHF X 2.5"NHM	RIGID FEMALE ROCKER LUG TO RIGID MALE
AA5TP-NJ	ADAPTER 4.0"NPTF X 2.5"NHM	RIGID FEMALE ROCKER LUG TO RIGID MALE
AA5NP-NP	ADAPTER 4.0"NHF X 4.0"NHM	RIGID FEMALE ROCKER LUG TO RIGID MALE
AA5NP-TP	ADAPTER 4.0"NHF X 4.0"NPTM	RIGID FEMALE ROCKER LUG TO RIGID MALE
AA5BP-BP	ADAPTER 4.0"BSPF X 4.0"BSPM	RIGID FEMALE ROCKER LUG TO RIGID MALE
AA5IP-NP	ADAPTER 4.0"NPSHF X 4.0"NHM	RIGID FEMALE ROCKER LUG TO RIGID MALE
AA5TP-NP	ADAPTER 4.0"NPTF X 4.0"NHM	RIGID FEMALE ROCKER LUG TO RIGID MALE
AA5NP-NR	ADAPTER 4.0"NHF X 4.5"NHM	RIGID FEMALE ROCKER LUG TO RIGID MALE
AA5TP-NR	ADAPTER 4.0"NPTF X 4.5"NHM	RIGID FEMALE ROCKER LUG TO RIGID MALE
AA5NP-NT	ADAPTER 4.0"NHF X 5.0"NHM	RIGID FEMALE ROCKER LUG TO RIGID MALE
AA5TP-NT	ADAPTER 4.0"NPTF X 5.0"NHM	RIGID FEMALE ROCKER LUG TO RIGID MALE
AA5IP-NX	ADAPTER 4.0"NPSHF X 6.0"NHM	RIGID FEMALE ROCKER LUG TO RIGID MALE
AA5NP-NX	ADAPTER 4.0"NHF X 6.0"NHM	RIGID FEMALE ROCKER LUG TO RIGID MALE
AA5TP-NX	ADAPTER 4.0"NPTF X 6.0"NHM	RIGID FEMALE ROCKER LUG TO RIGID MALE
AA5NR-NJ	ADAPTER 4.5"NHF X 2.5"NHM	RIGID FEMALE ROCKER LUG TO RIGID MALE
AA5NR-NP	ADAPTER 4.5"NHF X 4.0"NHM	RIGID FEMALE ROCKER LUG TO RIGID MALE
AA5NR-TP	ADAPTER 4.5"NHF X 4.0"NPTM	RIGID FEMALE ROCKER LUG TO RIGID MALE
AA5NR-NT	ADAPTER 4.5"NHF X 5.0"NHM	RIGID FEMALE ROCKER LUG TO RIGID MALE
AA5IR-NT	ADAPTER 4.5"NPSHF X 5.0"NHM	RIGID FEMALE ROCKER LUG TO RIGID MALE
AA5NR-NX	ADAPTER 4.5"NHF X 6.0"NHM	RIGID FEMALE ROCKER LUG TO RIGID MALE
AA5NT-NR	ADAPTER 5.0"NHF X 4.5"NHM	RIGID FEMALE ROCKER LUG TO RIGID MALE
AA5TT-NR	ADAPTER 5.0"NPTF X 4.5"NHM	RIGID FEMALE ROCKER LUG TO RIGID MALE
AA5NT-NX	ADAPTER 5.0"NHF X 6.0"NHM	RIGID FEMALE ROCKER LUG TO RIGID MALE
AA5TT-NX	ADAPTER 5.0"NPTF X 6.0"NHM	RIGID FEMALE ROCKER LUG TO RIGID MALE
AA5NX-NJ	ADAPTER 6.0" NHF X 2.5"NHM	RIGID FEMALE ROCKER LUG TO RIGID MALE
AA5NX-NP	ADAPTER 6.0"NHF X 4.0"NHM	RIGID FEMALE ROCKER LUG TO RIGID MALE
AA5NX-NR	ADAPTER 6.0"NHF X 4.5"NHM	RIGID FEMALE ROCKER LUG TO RIGID MALE
AA5NX-NT	ADAPTER 6.0"NHF X 5.0"NHM	RIGID FEMALE ROCKER LUG TO RIGID MALE
AA5TX-NT	ADAPTER 6.0"NPTF X 5.0"NHM	RIGID FEMALE ROCKER LUG TO RIGID MALE
AA5NX-NX	ADAPTER 6.0"NHF X 6.0"NHM	RIGID FEMALE ROCKER LUG TO RIGID MALE

STYLE 56L AA5H SERIES - Rigid Female Handle to Rigid Male



PART NO	DESCRIPTION	ADDITIONAL DESCRIPTION
AA5HNP-NJ	ADAPTER 4.0"NHF X 2.5"NHM	RIGID FEMALE HANDLE TO RIGID MALE
AA5HNP-NP	ADAPTER 4.0"NHF X 4.0"NHM	RIGID FEMALE HANDLE TO RIGID MALE
AA5HNP-NR	ADAPTER 4.0"NHF X 4.5"NHM	RIGID FEMALE HANDLE TO RIGID MALE
AA5HTP-NR	ADAPTER 4.0"NPTF X 4.5"NHM	RIGID FEMALE HANDLE TO RIGID MALE
AA5HNP-NT	ADAPTER 4.0"NHF X 5.0"NHM	RIGID FEMALE HANDLE TO RIGID MALE
AA5HNP-NX	ADAPTER 4.0"NHF X 6.0"NHM	RIGID FEMALE HANDLE TO RIGID MALE
AA5HNR-NJ	ADAPTER 4.5"NHF X 2.5"NHM	RIGID FEMALE HANDLE TO RIGID MALE
AA5HNR-NP	ADAPTER 4.5"NHF X 4.0"NHM	RIGID FEMALE HANDLE TO RIGID MALE
AA5HNR-NT	ADAPTER 4.5"NHF X 5.0"NHM	RIGID FEMALE HANDLE TO RIGID MALE
AA5HNR-NX	ADAPTER 4.5"NHF X 6.0"NHM	RIGID FEMALE HANDLE TO RIGID MALE
AA5HNT-NR	ADAPTER 5.0"NHF X 4.5"NHM	RIGID FEMALE HANDLE TO RIGID MALE
AA5HNT-NX	ADAPTER 5.0"NHF X 6.0"NHM	RIGID FEMALE HANDLE TO RIGID MALE
AA5HNX-NJ	ADAPTER 6.0"NHF X 2.5"NHM	RIGID FEMALE HANDLE TO RIGID MALE
AA5HNX-IP	ADAPTER 6.0"NHF X 4.0"NPSHM	RIGID FEMALE HANDLE TO RIGID MALE
AA5HNX-NP	ADAPTER 6.0"NHF X 4.0"NHM	RIGID FEMALE HANDLE TO RIGID MALE
AA5HNX-NR	ADAPTER 6.0"NHF X 4.5"NHM	RIGID FEMALE HANDLE TO RIGID MALE
AA5HIX-NT	ADAPTER 6.0"NPSHF X 5.0"NHM	RIGID FEMALE HANDLE TO RIGID MALE
AA5HNX-NT	ADAPTER 6.0"NHF X 5.0"NHM	RIGID FEMALE HANDLE TO RIGID MALE
AA5HNX-NX	ADAPTER 6.0"NHF X 6.0"NHM	RIGID FEMALE HANDLE TO RIGID MALE
AA5HNX-TX	ADAPTER 6.0"NHF X 6.0"NPTM	RIGID FEMALE HANDLE TO RIGID MALE

STYLE 54R AA11 SERIES - Swivel Rocker Lug to Rigid Male



PART NO	DESCRIPTION	ADDITIONAL DESCRIPTION
AA11NF-NF	ADAPTER 1.5"NHF X 1.5"NHM	SWIVEL FEMALE ROCKER LUG TO RIGID MALE
AA11NF-TF	ADAPTER 1.5"NHF X 1.5"NPTM	SWIVEL FEMALE ROCKER LUG TO RIGID MALE
AA11IF-NF	ADAPTER 1.5"NPSHF X 1.5"NHM	SWIVEL FEMALE ROCKER LUG TO RIGID MALE
AA11IF-TF	ADAPTER 1.5"NPSHF X 1.5"NPTM	SWIVEL FEMALE ROCKER LUG TO RIGID MALE
AA11NF-TH	ADAPTER 1.5"NHF X 2.0"NPTM	SWIVEL FEMALE ROCKER LUG TO RIGID MALE
AA11IF-NJ	ADAPTER 1.5"NPSHF X 2.5"NHM	SWIVEL FEMALE ROCKER LUG TO RIGID MALE
AA11NF-NJ	ADAPTER 1.5"NHF X 2.5"NHM	SWIVEL FEMALE ROCKER LUG TO RIGID MALE
AA11IH-NF	ADAPTER 2.0"NPSH X 1.5"NHM	SWIVEL FEMALE ROCKER LUG TO RIGID MALE
AA11IH-TH	ADAPTER 2.0"NPSHF X 2.0"NPTM	SWIVEL FEMALE ROCKER LUG TO RIGID MALE
AA11NJ-NF	ADAPTER 2.5"NHF X 1.5"NHM	SWIVEL FEMALE ROCKER LUG TO RIGID MALE
AA11NJ-NJ	ADAPTER 2.5"NHF X 2.5"NHM	SWIVEL FEMALE ROCKER LUG TO RIGID MALE
AA11NJ-TJ	ADAPTER 2.5"NHF X 2.5"NPTM	SWIVEL FEMALE ROCKER LUG TO RIGID MALE
AA11BJ-TJ	ADAPTER 2.5"BSPF X 2.5"NPTM	SWIVEL FEMALE ROCKER LUG TO RIGID MALE
AA11IJ-NJ	ADAPTER 2.5"NPSHF X 2.5"NHM	SWIVEL FEMALE ROCKER LUG TO RIGID MALE
AA11TJ-NJ	ADAPTER 2.5"NPTF X 2.5"NHM	SWIVEL FEMALE ROCKER LUG TO RIGID MALE
AA11NJ-IL	ADAPTER 2.5"NHF X 3.0"NPSHM	SWIVEL FEMALE ROCKER LUG TO RIGID MALE
AA11NJ-NL	ADAPTER 2.5"NHF X 3.0"NHM	SWIVEL FEMALE ROCKER LUG TO RIGID MALE
AA11NJ-TL	ADAPTER 2.5"NHF X 3.0"NPTM	SWIVEL FEMALE ROCKER LUG TO RIGID MALE
AA11NJ-TP	ADAPTER 2.5"NHF X 4.0"NPTM	SWIVEL FEMALE ROCKER LUG TO RIGID MALE
AA11NX-NX	ADAPTER 6.0"NHF X 6.0"NHM	SWIVEL FEMALE ROCKER LUG TO RIGID MALE
AA11NX-TX	ADAPTER 6.0"NHF X 6.0"NPTM	SWIVEL FEMALE ROCKER LUG TO RIGID MALE

STYLE 54L AA11H SERIES - Swivel Female Handle to Rigid Male



PART NO	DESCRIPTION	ADDITIONAL DESCRIPTION
AA11HNX-NT	ADAPTER 6.0"NHF X 5.0"NHM	SWIVEL FEMALE HANDLE TO RIGID MALE
AA11HNX-TX	ADAPTER 6.0"NHF X 6.0"NPTM	SWIVEL FEMALE HANDLE TO RIGID MALE

STYLE 36R AA6 SERIES - Rigid Male Rocker Lug to Rigid Male Rocker Lug



PART NO	DESCRIPTION	ADDITIONAL DESCRIPTION
AA6BD-BD	ADAPTER 1.0"BSPM X 1.0"BSPM	RIGID MALE TO RIGID MALE
AA6ID-ID	ADAPTER 1.0"NPSHM X 1.0"NPSHM	RIGID MALE TO RIGID MALE
AA6ND-BD	ADAPTER 1.0"NHM X 1.0"BSPM	RIGID MALE TO RIGID MALE
AA6ND-ID	ADAPTER 1.0"NHM X 1.0"NPSHM	RIGID MALE TO RIGID MALE
AA6ND-ND	ADAPTER 1.0"NHM X 1.0"NHM	RIGID MALE TO RIGID MALE
AA6TD-ID	ADAPTER 1.0"NPTM X 1.0"NPSHM	RIGID MALE TO RIGID MALE
AA6TD-ND	ADAPTER 1.0"NPTM X 1.0"NHM	RIGID MALE TO RIGID MALE
AA6IF-IF	ADAPTER 1.5"NPSHM X 1.5"NPSHM	RIGID MALE TO RIGID MALE
AA6IF-NF	ADAPTER 1.5"NPSHM X 1.5"NHM	RIGID MALE TO RIGID MALE
AA6IF-TF	ADAPTER 1.5"NPSHM X 1.5"NPTM	RIGID MALE TO RIGID MALE
AA6NF-NF	ADAPTER 1.5"NHM X 1.5"NHM	RIGID MALE TO RIGID MALE
AA6NF-TF	ADAPTER 1.5"NHM X 1.5"NPTM	RIGID MALE TO RIGID MALE
AA6BF-BF	ADAPTER 1.5"BSPM X 1.5"BSPM	RIGID MALE TO RIGID MALE
AA6BF-IF	ADAPTER 1.5"BSPM X 1.5"NPSHM	RIGID MALE TO RIGID MALE
AA6BF-NF	ADAPTER 1.5"BSPM X 1.5"NHM	RIGID MALE TO RIGID MALE
AA6TF-TF	ADAPTER 1.5"NPTM X 1.5"NPTM	RIGID MALE TO RIGID MALE
AA6IH-TF	ADAPTER 2.0"NPSHM X 1.5"NPTM	RIGID MALE TO RIGID MALE
AA6TH-NF	ADAPTER 2.0"NPTM X 1.5"NHM	RIGID MALE TO RIGID MALE
AA6TH-IF	ADAPTER 2.0"NPTM X 1.5"NPSHM	RIGID MALE TO RIGID MALE
AA6TH-TF	ADAPTER 2.0"NPTM X 1.5"NPTM	RIGID MALE TO RIGID MALE
AA6NJ-TF	ADAPTER 2.5"NHM X 1.5"NPTM	RIGID MALE TO RIGID MALE
AA6NJ-NF	ADAPTER 2.5"NHM X 1.5"NHM	RIGID MALE TO RIGID MALE
AA6NJ-IF	ADAPTER 2.5"NHM X 1.5"NPSHM	RIGID MALE TO RIGID MALE
AA6TJ-NF	ADAPTER 2.5"NPTM X 1.5"NHM	RIGID MALE TO RIGID MALE
AA6NJ-TH	ADAPTER 2.5"NHM X 2.0"NPTM	RIGID MALE TO RIGID MALE
AA6BJ-BJ	ADAPTER 2.5"BSPM X 2.5"BSPM	RIGID MALE TO RIGID MALE
AA6BJ-TJ	ADAPTER 2.5"BSPM X 2.5"NPTM	RIGID MALE TO RIGID MALE
AA6IJ-IJ	ADAPTER 2.5"NPSHM X 2.5"NPSHM	RIGID MALE TO RIGID MALE
AA6NJ-BJ	ADAPTER 2.5"NHM X 2.5"BSPM	RIGID MALE TO RIGID MALE
AA6NJ-IJ	ADAPTER 2.5"NHM X 2.5"NPSHM	RIGID MALE TO RIGID MALE
AA6NJ-NJ	ADAPTER 2.5"NHM X 2.5"NHM	RIGID MALE TO RIGID MALE
AA6NJ-TJ	ADAPTER 2.5"NHM X 2.5"NPTM	RIGID MALE TO RIGID MALE

Continued on next page

ADAPTERS**STYLE 36R AA6 SERIES - Rigid Male Rocker Lug to Rigid Male Rocker Lug**

PART NO	DESCRIPTION	ADDITIONAL DESCRIPTION
AA6IL-NJ	ADAPTER 3.0"NPSHM X 2.5"NHM	RIGID MALE TO RIGID MALE
AA6NL-BJ	ADAPTER 3.0"NHM X 2.5"BSPM	RIGID MALE TO RIGID MALE
AA6NL-NJ	ADAPTER 3.0"NHM X 2.5"NHM	RIGID MALE TO RIGID MALE
AA6TL-NJ	ADAPTER 3.0"NPTM X 2.5"NHM	RIGID MALE TO RIGID MALE
AA6NP-NP	ADAPTER 4.0"NHM X 4.0"NHM	RIGID MALE TO RIGID MALE
AA6NP-BP	ADAPTER 4.0"NHM X 4.0"BSPM	RIGID MALE TO RIGID MALE
AA6NP-TP	ADAPTER 4.0"NHM X 4.0"NPTM	RIGID MALE TO RIGID MALE
AA6NR-NR	ADAPTER 4.5"NHM X 4.5"NHM	RIGID MALE TO RIGID MALE
AA6NX-NX	ADAPTER 6.0"NHM X 6.0"NHM	RIGID MALE TO RIGID MALE
AA6NX-TX	ADAPTER 6.0"NHM X 6.0"NPTM	RIGID MALE TO RIGID MALE
AA6IX-IX	ADAPTER 6.0"NPSHM X 6.0"NPSHM	RIGID MALE TO RIGID MALE

ADAPTERS - AA Series, Storz

TFT AA series Storz adapters are designed for pressure or vacuum service on a hydrant, pumper or on the ground. Their maximum operating pressure is 300 psi (20 bar) and they are compliant to NFPA 1964 2018 edition which dictates a 900 psi (62 bar) hydrostatic strength test. The aluminum parts are hardcoat anodized per MIL-A-8625 Type III, Class 2 for maximum corrosion protection. Adapters are permanently marked with the thread size and TPI per NFPA and include a red anodized aluminum

locking lever (4", 5" and 6"). Connections use polymer bearing rings which provide electrical isolation to help prevent galvanic corrosion. All Storz adapters are supplied with pressure gaskets. Suction gaskets are available. All Storz couplings may be switched from rigid to swivel by loosening the lock screw. All 6" Storz couplings have an adjustable seal compression feature.

STYLE S37S AA1 SERIES - Storz to Rigid Female Rocker Lug

AA1 series 4", 5" and 6" Storz two piece adapters are rigid. To change a Storz from rigid to full-time swivel, back out the lockout screw until the coupling moves freely. Refer to the diagram found in the Technical Data section of the catalog.



ADAPTER
1.5" to 3" STORZ



ADAPTER 4" to 6" STORZ



* Single Piece Models
AA1SP-TJ
AA1SP-NJ
AA1ST-NJ
AA1ST-BJ
AA1ST-IJ

PART NO	DESCRIPTION	ADDITIONAL DESCRIPTION
AA1SF-IF	ADAPTER 1.5"STORZ X 1.5"NPSHF	RIGID TO RIGID FEMALE ROCKER LUG
AA1SJ-NJ	ADAPTER 2.5"STORZ X 2.5"NHF	RIGID TO RIGID FEMALE ROCKER LUG
AA1SJ-TJ	ADAPTER 2.5"STORZ X 2.5"NPTF	RIGID TO RIGID FEMALE ROCKER LUG
AA1SL-NJ	ADAPTER 3.0"STORZ X 2.5"NHF	RIGID TO RIGID FEMALE ROCKER LUG
AA1SL-NL	ADAPTER 3.0"STORZ X 3.0"NHF	RIGID TO RIGID FEMALE ROCKER LUG
AA1SP-TJ*	ADAPTER 4.0"STORZ X 2.5"NPTF	RIGID TO RIGID FEMALE*
AA1SP-NJ*	ADAPTER 4.0"STORZ X 2.5"NHF	RIGID TO RIGID FEMALE*
AA1SP-NL	ADAPTER 4.0"STORZ X 3.0"NHF	RIGID TO RIGID FEMALE ROCKER LUG
AA1SP-BL	ADAPTER 4.0"STORZ X 3.0"BSPF	RIGID TO RIGID FEMALE ROCKER LUG
AA1SP-IL	ADAPTER 4.0"STORZ X 3.0"NPSHF	RIGID TO RIGID FEMALE ROCKER LUG
AA1SP-TL	ADAPTER 4.0"STORZ X 3.0"NPTF	RIGID TO RIGID FEMALE ROCKER LUG
AA1SP-IN	ADAPTER 4.0"STORZ X 3.5"NPSHF	RIGID TO RIGID FEMALE ROCKER LUG
AA1SP-NP	ADAPTER 4.0"STORZ X 4.0"NHF	RIGID TO RIGID FEMALE ROCKER LUG
AA1SP-IP	ADAPTER 4.0"STORZ X 4.0"NPSHF	RIGID TO RIGID FEMALE ROCKER LUG
AA1SP-TP	ADAPTER 4.0"STORZ X 4.0"NPTF	RIGID TO RIGID FEMALE ROCKER LUG
AA1SP-BP	ADAPTER 4.0"STORZ X 4.0"BSPF	RIGID TO RIGID FEMALE ROCKER LUG
AA1SP-NR	ADAPTER 4.0"STORZ X 4.5"NHF	RIGID TO RIGID FEMALE ROCKER LUG
AA1SP-NT	ADAPTER 4.0"STORZ X 5.0"NHF	RIGID TO RIGID FEMALE ROCKER LUG
AA1SP-TT	ADAPTER 4.0"STORZ X 5.0"NPTF	RIGID TO RIGID FEMALE ROCKER LUG
AA1SP-BT	ADAPTER 4.0"STORZ X 5.0"BSPF	RIGID TO RIGID FEMALE ROCKER LUG
AA1SP-NX	ADAPTER 4.0"STORZ X 6.0"NHF	RIGID TO RIGID FEMALE ROCKER LUG
AA1ST-NJ*	ADAPTER 5.0"STORZ X 2.5"NHF	RIGID TO RIGID FEMALE*
AA1ST-BJ*	ADAPTER 5.0"STORZ X 2.5"BSPF	RIGID TO RIGID FEMALE*
AA1ST-IJ*	ADAPTER 5.0"STORZ X 2.5"NPSHF	RIGID TO RIGID FEMALE*
AA1ST-IL	ADAPTER 5.0"STORZ X 3.0"NPSHF	RIGID TO RIGID FEMALE ROCKER LUG
AA1ST-NL	ADAPTER 5.0"STORZ X 3.0"NHF	RIGID TO RIGID FEMALE ROCKER LUG
AA1ST-BL	ADAPTER 5.0"STORZ X 3.0"BSPF	RIGID TO RIGID FEMALE ROCKER LUG
AA1ST-TL	ADAPTER 5.0"STORZ X 3.0"NPTF	RIGID TO RIGID FEMALE ROCKER LUG
AA1ST-NP	ADAPTER 5.0"STORZ X 4.0"NHF	RIGID TO RIGID FEMALE ROCKER LUG
AA1ST-TP	ADAPTER 5.0"STORZ X 4.0"NPTF	RIGID TO RIGID FEMALE ROCKER LUG
AA1ST-IP	ADAPTER 5.0"STORZ X 4.0"NPSHF	RIGID TO RIGID FEMALE ROCKER LUG
AA1ST-BP	ADAPTER 5.0"STORZ X 4.0"BSPF	RIGID TO RIGID FEMALE ROCKER LUG
AA1ST-NR	ADAPTER 5.0"STORZ X 4.5"NHF	RIGID TO RIGID FEMALE ROCKER LUG
AA1ST-BT	ADAPTER 5.0"STORZ X 5.0"BSPF	RIGID TO RIGID FEMALE ROCKER LUG
AA1ST-IT	ADAPTER 5.0"STORZ X 5.0"NPSHF	RIGID TO RIGID FEMALE ROCKER LUG

Continued on next page

STYLE S37S AA1 SERIES - Storz to Rigid Female Rocker Lug

PART NO	DESCRIPTION	ADDITIONAL DESCRIPTION
AA1ST-NT	ADAPTER 5.0"STORZ X 5.0"NHF	RIGID TO RIGID FEMALE ROCKER LUG
AA1ST-TT	ADAPTER 5.0"STORZ X 5.0"NPTF	RIGID TO RIGID FEMALE ROCKER LUG
AA1ST-IX	ADAPTER 5.0"STORZ X 6.0"NPSHF	RIGID TO RIGID FEMALE ROCKER LUG
AA1ST-NX	ADAPTER 5.0"STORZ X 6.0"NHF	RIGID TO RIGID FEMALE ROCKER LUG
AA1SX-NJ	ADAPTER 6.0"STORZ X 2.5"NHF	RIGID TO RIGID FEMALE ROCKER LUG
AA1SX-NP	ADAPTER 6.0"STORZ X 4.0"NHF	RIGID TO RIGID FEMALE ROCKER LUG
AA1SX-NR	ADAPTER 6.0"STORZ X 4.5"NHF	RIGID TO RIGID FEMALE ROCKER LUG
AA1SX-NT	ADAPTER 6.0"STORZ X 5.0"NHF	RIGID TO RIGID FEMALE ROCKER LUG
AA1SX-BT	ADAPTER 6.0"STORZ X 5.0"BSPF	RIGID TO RIGID FEMALE ROCKER LUG
AA1SX-TT	ADAPTER 6.0"STORZ X 5.0"NPTF	RIGID TO RIGID FEMALE ROCKER LUG
AA1SX-TX	ADAPTER 6.0"STORZ X 6.0"NPTF	RIGID TO RIGID FEMALE ROCKER LUG
AA1SX-BX	ADAPTER 6.0"STORZ X 6.0"BSPF	RIGID TO RIGID FEMALE ROCKER LUG
AA1SX-IX	ADAPTER 6.0"STORZ X 6.0"NPSHF	RIGID TO RIGID FEMALE ROCKER LUG
AA1SX-NX	ADAPTER 6.0"STORZ X 6.0"NHF	RIGID TO RIGID FEMALE ROCKER LUG

STYLE S54L AA1H SERIES - Storz to Rigid Female Handle

PART NO	DESCRIPTION	ADDITIONAL DESCRIPTION
AA1HSP-NP	ADAPTER 4.0"STORZ X 4.0"NHF	RIGID TO FEMALE RIGID HANDLE
AA1HSP-NR	ADAPTER 4.0"STORZ X 4.5"NHF	RIGID TO FEMALE RIGID HANDLE
AA1HSP-NT	ADAPTER 4.0"STORZ X 5.0"NHF	RIGID TO FEMALE RIGID HANDLE
AA1HSP-NX	ADAPTER 4.0"STORZ X 6.0"NHF	RIGID TO FEMALE RIGID HANDLE
AA1HST-IP	ADAPTER 5.0"STORZ X 4.0"NPSHF	RIGID TO FEMALE RIGID HANDLE
AA1HST-NP	ADAPTER 5.0"STORZ X 4.0"NHF	RIGID TO FEMALE RIGID HANDLE
AA1HST-NR	ADAPTER 5.0"STORZ X 4.5"NHF	RIGID TO FEMALE RIGID HANDLE
AA1HST-NT	ADAPTER 5.0"STORZ X 5.0"NHF	RIGID TO FEMALE RIGID HANDLE
AA1HST-IX	ADAPTER 5.0"STORZ X 6.0"NPSHF	RIGID TO FEMALE RIGID HANDLE
AA1HST-NX	ADAPTER 5.0"STORZ X 6.0"NHF	RIGID TO FEMALE RIGID HANDLE
AA1HSX-NP	ADAPTER 6.0"STORZ X 4.0"NHF	RIGID TO FEMALE RIGID HANDLE
AA1HSX-NR	ADAPTER 6.0"STORZ X 4.5"NHF	RIGID TO FEMALE RIGID HANDLE
AA1HSX-NT	ADAPTER 6.0"STORZ X 5.0"NHF	RIGID TO FEMALE RIGID HANDLE
AA1HSX-IX	ADAPTER 6.0"STORZ X 6.0"NPSHF	RIGID TO FEMALE RIGID HANDLE
AA1HSX-NX	ADAPTER 6.0"STORZ X 6.0"NHF	RIGID TO FEMALE RIGID HANDLE

STYLE S36S AA2 SERIES - Storz to Rigid Male



ADAPTER 1.5" to 3" STORZ



ADAPTER 4" to 6" STORZ



PART NO	DESCRIPTION	ADDITIONAL DESCRIPTION
AA2SF-IF	ADAPTER 1.5"STORZ X 1.5"NPSHM	RIGID TO RIGID MALE ROCKER LUG
AA2SJ-NJ	ADAPTER 2.5"STORZ X 2.5"NHM	RIGID TO RIGID MALE ROCKER LUG
AA2SJ-NL	ADAPTER 2.5"STORZ X 3.0"NHM	RIGID TO RIGID MALE ROCKER LUG
AA2SL-NJ	ADAPTER 3.0"STORZ X 2.5"NHM	RIGID TO RIGID MALE ROCKER LUG
AA2SL-TL	ADAPTER 3.0"STORZ X 3.0"NPTM	RIGID TO RIGID MALE ROCKER LUG
AA2SP-NJ	ADAPTER 4.0"STORZ X 2.5"NHM	RIGID TO RIGID MALE *
AA2SP-IJ	ADAPTER 4.0"STORZ X 2.5"NPSHM	RIGID TO RIGID MALE*
AA2SP-TJ	ADAPTER 4.0"STORZ X 2.5"NPTM	RIGID TO RIGID MALE ROCKER LUG
AA2SP-NL	ADAPTER 4.0"STORZ X 3.0"NHM	RIGID TO RIGID MALE ROCKER LUG
AA2SP-IL	ADAPTER 4.0"STORZ X 3.0"NPSHM	RIGID TO RIGID MALE ROCKER LUG
AA2SP-TL	ADAPTER 4.0"STORZ X 3.0"NPTM	RIGID TO RIGID MALE ROCKER LUG
AA2SP-NP	ADAPTER 4.0"STORZ X 4.0"NHM	RIGID TO RIGID MALE ROCKER LUG
AA2SP-TP	ADAPTER 4.0"STORZ X 4.0"NPTM	RIGID TO RIGID MALE ROCKER LUG
AA2SP-NR	ADAPTER 4.0"STORZ X 4.5"NHM	RIGID TO RIGID MALE ROCKER LUG
AA2SP-NT	ADAPTER 4.0"STORZ X 5.0"NHM	RIGID TO RIGID MALE ROCKER LUG
AA2SP-NX	ADAPTER 4.0"STORZ X 6.0"NHM	RIGID TO RIGID MALE ROCKER LUG
AA2ST-NF	ADAPTER 5.0"STORZ X 1.5"NHM	RIGID TO RIGID MALE ROCKER LUG
AA2ST-NJ	ADAPTER 5.0"STORZ X 2.5"NHM	RIGID TO RIGID MALE *
AA2ST-TJ	ADAPTER 5.0"STORZ X 2.5"NPTM	RIGID TO RIGID MALE *
AA2ST-NL	ADAPTER 5.0"STORZ X 3.0"NHM	RIGID TO RIGID MALE ROCKER LUG
AA2ST-IL	ADAPTER 5.0"STORZ X 3.0"NPSHM	RIGID TO RIGID MALE ROCKER LUG
AA2ST-TL	ADAPTER 5.0"STORZ X 3.0"NPTM	RIGID TO RIGID MALE ROCKER LUG
AA2ST-IP	ADAPTER 5.0"STORZ X 4.0"NPSHM	RIGID TO RIGID MALE ROCKER LUG
AA2ST-NP	ADAPTER 5.0"STORZ X 4.0"NHM	RIGID TO RIGID MALE ROCKER LUG
AA2ST-TP	ADAPTER 5.0"STORZ X 4.0"NPTM	RIGID TO RIGID MALE ROCKER LUG
AA2ST-NR	ADAPTER 5.0"STORZ X 4.5"NHM	RIGID TO RIGID MALE *
AA2ST-IT	ADAPTER 5.0"STORZ X 5.0"NPSHM	RIGID TO RIGID MALE ROCKER LUG
AA2ST-NT	ADAPTER 5.0"STORZ X 5.0"NHM	RIGID TO RIGID MALE ROCKER LUG
AA2ST-NX	ADAPTER 5.0"STORZ X 6.0"NHM	RIGID TO RIGID MALE *
AA2ST-TX	ADAPTER 5.0"STORZ X 6.0"NPTM	RIGID TO RIGID MALE *
AA2SX-NJ	ADAPTER 6.0"STORZ X 2.5"NHM	RIGID TO RIGID MALE *
AA2SX-NR	ADAPTER 6.0"STORZ X 4.5"NHM	RIGID TO RIGID MALE ROCKER LUG
AA2SX-NT	ADAPTER 6.0"STORZ X 5.0"NHM	RIGID TO RIGID MALE ROCKER LUG
AA2SX-NX	ADAPTER 6.0"STORZ X 6.0"NHM	RIGID TO RIGID MALE ROCKER LUG
AA2SX-TX	ADAPTER 6.0"STORZ X 6.0"NPTM	RIGID TO RIGID MALE ROCKER LUG

* Models
 AA2SP-NJ
 AA2SP-IJ
 AA2ST-NJ
 AA2ST-TJ
 AA2ST-NR
 AA2ST-NX
 AA2ST-TX
 AA2SX-NJ

ADAPTERS

STYLE S54R AA3 SERIES - Storz to Swivel Female Rocker Lug

For 4", 5" and 6" Storz AA3 series model numbers, order appropriate AA1 series model numbers. AA1 Series can easily be changed from rigid to full-time swivel, back out the lockout screw until the coupling moves freely. Refer to the diagram found in the Technical Data section of the catalog.



ADAPTER
1.5" to 2.5" STORZ

PART NO	DESCRIPTION	ADDITIONAL DESCRIPTION
AA3SH-NF	ADAPTER 2.0"STORZ X 1.5"NHF	SWIVEL TO SWIVEL FEMALE ROCKER LUG
AA3SJ-NJ	ADAPTER 2.5"STORZ X 2.5"NHF	SWIVEL TO SWIVEL FEMALE ROCKER LUG

STYLE S60S AA4 SERIES - Storz to Storz



AA4SJ-SF
AA4SL-SH
AA4SP-SJ
AA4SP-SL
AA4ST-SL
* 1.5" to 3" STORZ
SIDE IS SILVER

PART NO	DESCRIPTION	ADDITIONAL DESCRIPTION
AA4SJ-SF*	ADAPTER 2.5"STORZ X 1.5"STORZ	RIGID TO RIGID
AA4SL-SH*	ADAPTER 3.0"STORZ X 2.0"STORZ	RIGID TO RIGID
AA4SP-SJ*	ADAPTER 4.0"STORZ X 2.5"STORZ	RIGID TO RIGID
AA4SP-SL*	ADAPTER 4.0"STORZ X 3.0"STORZ	RIGID TO RIGID
AA4ST-SL*	ADAPTER 5.0"STORZ X 3.0"STORZ	RIGID TO RIGID
AA4ST-SP	ADAPTER 5.0"STORZ X 4.0"STORZ	RIGID TO RIGID
AA4SX-SP	ADAPTER 6.0"STORZ X 4.0"STORZ	RIGID TO RIGID
AA4SX-ST	ADAPTER 6.0"STORZ X 5.0"STORZ	RIGID TO RIGID

AA12 SERIES - Storz to Swivel Female Rocker Lug



PART NO	DESCRIPTION	ADDITIONAL DESCRIPTION
AA12SP-NJ	ADAPTER 4.0"STORZ X 2.5"NHF	RIGID TO SWIVEL FEMALE ROCKER
AA12SP-NP	ADAPTER 4.0"STORZ X 4.0"NHF	RIGID TO SWIVEL FEMALE ROCKER
AA12SP-NR	ADAPTER 4.0"STORZ X 4.5"NHF	RIGID TO SWIVEL FEMALE ROCKER
AA12SP-NT	ADAPTER 4.0"STORZ X 5.0"NHF	RIGID TO SWIVEL FEMALE ROCKER
AA12SP-NX	ADAPTER 4.0"STORZ X 6.0"NHF	RIGID TO SWIVEL FEMALE ROCKER
AA12ST-NJ	ADAPTER 5.0"STORZ X 2.5"NHF	RIGID TO SWIVEL FEMALE ROCKER
AA12ST-NP	ADAPTER 5.0"STORZ X 4.0"NHF	RIGID TO SWIVEL FEMALE ROCKER
AA12ST-NR	ADAPTER 5.0"STORZ X 4.5"NHF	RIGID TO SWIVEL FEMALE ROCKER
AA12ST-NT	ADAPTER 5.0"STORZ X 5.0"NHF	RIGID TO SWIVEL FEMALE ROCKER
AA12ST-NX	ADAPTER 5.0"STORZ X 6.0"NHF	RIGID TO SWIVEL FEMALE ROCKER

AA12H SERIES - Storz to Swivel Female Handle



PART NO	DESCRIPTION	ADDITIONAL DESCRIPTION
AA12HSP-NP	ADAPTER 4.0"STORZ X 4.0"NHF	RIGID TO SWIVEL FEMALE HANDLE
AA12HSP-NR	ADAPTER 4.0"STORZ X 4.5"NHF	RIGID TO SWIVEL FEMALE HANDLE
AA12HSP-NT	ADAPTER 4.0"STORZ X 5.0"NHF	RIGID TO SWIVEL FEMALE HANDLE
AA12HSP-NX	ADAPTER 4.0"STORZ X 6.0"NHF	RIGID TO SWIVEL FEMALE HANDLE
AA12HST-NJ	ADAPTER 5.0"STORZ X 2.5"NHF	RIGID TO SWIVEL FEMALE HANDLE
AA12HST-NP	ADAPTER 5.0"STORZ X 4.0"NHF	RIGID TO SWIVEL FEMALE HANDLE
AA12HST-IP	ADAPTER 5.0"STORZ X 4.0"NPSHF	RIGID TO SWIVEL FEMALE HANDLE
AA12HST-NR	ADAPTER 5.0"STORZ X 4.5"NHF	RIGID TO SWIVEL FEMALE HANDLE
AA12HST-NX	ADAPTER 5.0"STORZ X 6.0"NHF	RIGID TO SWIVEL FEMALE HANDLE

ELBOWS — AH Series, Threaded

TFT AH series threaded elbows are cast to a 30° down angle for easy connection and to relieve the weight of the hose when connected. Their maximum operating pressure is 300 psi (20 bar) and they are compliant to NFPA 1964 2018 edition which dictates a 900 psi (62 bar) hydrostatic strength test. The aluminum parts are hardcoat anodized per MIL-A-8625

Type III, Class 2 for maximum corrosion protection then powder coated silver. 2.5" and smaller swivel connections use stainless steel ball bearings, not piston rings, to ensure longevity and easy serviceability. 3.0" and larger connections use polymer bearing rings which provide electrical isolation to help prevent galvanic corrosion.

STYLE KER AH5 SERIES - Swivel Female Rocker Lug to Rigid Male Rocker Lug



PART NO	DESCRIPTION	ADDITIONAL DESCRIPTION
AH5NJ-NJ	ELBOW 2.5"NHF X 2.5"NHM	SWIVEL ROCKER LUG TO RIGID MALE
AH5NP-NP	ELBOW 4.0"NHF X 4.0"NHM	SWIVEL ROCKER LUG TO RIGID MALE
AH5NR-NR	ELBOW 4.5"NHF X 4.5"NHM	SWIVEL ROCKER LUG TO RIGID MALE

STYLE KEL AH5H SERIES - Swivel Female Handle to Rigid Male Rocker Lug



PART NO	DESCRIPTION	ADDITIONAL DESCRIPTION
AH5HNX-NX	ELBOW 6.0"NHF X 6.0"NHM	SWIVEL HANDLE TO RIGID MALE

AH7 SERIES - Swivel Female Rocker Lug to Swivel Female Rocker Lug



PART NO	DESCRIPTION	ADDITIONAL DESCRIPTION
AH7NR-NP	ELBOW 4.5"NHF X 4.0"NHF	SWIVEL ROCKER LUG TO SWIVEL ROCKER LUG

AH7H SERIES - Swivel Female Handle to Swivel Female Handle



PART NO	DESCRIPTION	ADDITIONAL DESCRIPTION
AH7HNR-NP	ELBOW 4.5"NHF X 4.0"NHF	SWIVEL HANDLE TO SWIVEL HANDLE
AH7HNX-NP	ELBOW 6.0"NHF X 4.0"NHF	SWIVEL HANDLE TO SWIVEL HANDLE
AH7HNX-NR	ELBOW 6.0"NHF X 4.5"NHF	SWIVEL HANDLE TO SWIVEL HANDLE

ELBOWS — AH Series, Storz

TFT AH series Storz elbows are cast to a 30° down angle for easy connection and to relieve the weight of the hose when connected. Their maximum operating pressure is 300 psi (20 bar) and they are compliant to NFPA 1964 2018 edition which dictates a 900 psi (62 bar) hydrostatic strength test. The aluminum parts are hardcoat anodized per MIL-A-8625 Type III, Class 2 for maximum corrosion protection then powder coated

silver. Hose couplings are attached using polymer bearing rings which provide electrical isolation to help prevent galvanic corrosion. All Storz adapters are supplied with pressure gaskets. Suction gaskets are available. All Storz couplings may be switched from rigid to swivel by loosening the lock screw. All 6" Storz couplings have an adjustable seal compression feature.

STYLE SKE-R AH1 SERIES - Storz to Swivel Female Rocker Lug



For 4", 5" and 6" Storz AH1 series model numbers, order appropriate AH3 series model numbers. AH3 Series can easily be changed from rigid to full-time swivel, back out the lockout screw until the coupling moves freely. Refer to the diagram found in the Technical Data section of the catalog.

STYLE SKE-L AH1H SERIES - Storz to Swivel Female Handle



For 4", 5" and 6" Storz AH1H series model numbers, order appropriate AH3H series model numbers. AH3H Series can easily be changed from rigid to full-time swivel, back out the lockout screw until the coupling moves freely. Refer to the diagram found in the Technical Data section of the catalog.

AH4 SERIES - Storz to Storz



PART NO	DESCRIPTION	ADDITIONAL DESCRIPTION
AH4SP-SP	ELBOW 4.0"STORZ X 4.0"STORZ	RIGID TO SWIVEL
AH4ST-SP	ELBOW 5.0"STORZ X 4.0"STORZ	RIGID TO SWIVEL
AH4ST-ST	ELBOW 5.0"STORZ X 5.0"STORZ	RIGID TO SWIVEL

AH2 SERIES - Storz to Rigid Male Rocker Lug



PART NO	DESCRIPTION	ADDITIONAL DESCRIPTION
AH2SP-NJ	ELBOW 4.0"STORZ X 2.5"NHM	RIGID TO RIGID MALE
AH2SP-NL	ELBOW 4.0"STORZ X 3.0"NHM	RIGID TO RIGID MALE
AH2ST-NJ	ELBOW 5.0"STORZ X 2.5"NHM	RIGID TO RIGID MALE
AH2ST-NL	ELBOW 5.0"STORZ X 3.0"NHM	RIGID TO RIGID MALE
AH2ST-NP	ELBOW 5.0"STORZ X 4.0"NHM	RIGID TO RIGID MALE
AH2ST-TP	ELBOW 5.0"STORZ X 4.0"NPTM	RIGID TO RIGID MALE

STYLE SKE-R AH3 SERIES - Storz to Swivel Female Rocker Lug



PART NO	DESCRIPTION	ADDITIONAL DESCRIPTION
AH3SP-NJ	ELBOW 4.0"STORZ X 2.5"NHF	RIGID TO SWIVEL ROCKER LUG
AH3SP-NL	ELBOW 4.0"STORZ X 3.0"NHF	RIGID TO SWIVEL ROCKER LUG
AH3SP-IL	ELBOW 4.0"STORZ X 3.0"NPSHF	RIGID TO SWIVEL ROCKER LUG
AH3SP-TL	ELBOW 4.0"STORZ X 3.0"NPTF	RIGID TO SWIVEL ROCKER LUG
AH3SP-IP	ELBOW 4.0"STORZ X 4.0"NPSHF	RIGID TO SWIVEL ROCKER LUG
AH3SP-NP	ELBOW 4.0"STORZ X 4.0"NHF	RIGID TO SWIVEL ROCKER LUG
AH3SP-TP	ELBOW 4.0"STORZ X 4.0"NPTF	RIGID TO SWIVEL ROCKER LUG
AH3SP-NR	ELBOW 4.0"STORZ X 4.5"NHF	RIGID TO SWIVEL ROCKER LUG
AH3SP-NT	ELBOW 4.0"STORZ X 5.0"NHF	RIGID TO SWIVEL ROCKER LUG
AH3SP-NX	ELBOW 4.0"STORZ X 6.0"NHF	RIGID TO SWIVEL ROCKER LUG
AH3ST-NJ	ELBOW 5.0"STORZ X 2.5"NHF	RIGID TO SWIVEL ROCKER LUG
AH3ST-NL	ELBOW 5.0"STORZ X 3.0"NHF	RIGID TO SWIVEL ROCKER LUG
AH3ST-NP	ELBOW 5.0"STORZ X 4.0"NHF	RIGID TO SWIVEL ROCKER LUG
AH3ST-TP	ELBOW 5.0"STORZ X 4.0"NPTF	RIGID TO SWIVEL ROCKER LUG
AH3ST-NR	ELBOW 5.0"STORZ X 4.5"NHF	RIGID TO SWIVEL ROCKER LUG
AH3ST-NT	ELBOW 5.0"STORZ X 5.0"NHF	RIGID TO SWIVEL ROCKER LUG
AH3ST-TT	ELBOW 5.0"STORZ X 5.0"NPTF	RIGID TO SWIVEL ROCKER LUG
AH3ST-NX	ELBOW 5.0"STORZ X 6.0"NHF	RIGID TO SWIVEL ROCKER LUG
AH3ST-TX	ELBOW 5.0"STORZ X 6.0"NPTF	RIGID TO SWIVEL ROCKER LUG
AH3SX-NT	ELBOW 6.0"STORZ X 5.0"NHF	RIGID TO SWIVEL ROCKER LUG
AH3SX-TX	ELBOW 6.0"STORZ X 6.0"NPTF	RIGID TO SWIVEL ROCKER LUG

STYLE SKE-L AH3H SERIES - Storz to Swivel Female Handle



PART NO	DESCRIPTION	ADDITIONAL DESCRIPTION
AH3HSP-NP	ELBOW 4.0"STORZ X 4.0"NHF	RIGID TO SWIVEL HANDLE
AH3HSP-NR	ELBOW 4.0"STORZ X 4.5"NHF	RIGID TO SWIVEL HANDLE
AH3HSP-NT	ELBOW 4.0"STORZ X 5.0"NHF	RIGID TO SWIVEL HANDLE
AH3HSP-NX	ELBOW 4.0"STORZ X 6.0"NHF	RIGID TO SWIVEL HANDLE
AH3HST-NP	ELBOW 5.0"STORZ X 4.0"NHF	RIGID TO SWIVEL HANDLE
AH3HST-NR	ELBOW 5.0"STORZ X 4.5"NHF	RIGID TO SWIVEL HANDLE
AH3HST-NT	ELBOW 5.0"STORZ X 5.0"NHF	RIGID TO SWIVEL HANDLE
AH3HST-NX	ELBOW 5.0"STORZ X 6.0"NHF	RIGID TO SWIVEL HANDLE
AH3HST-IX	ELBOW 5.0"STORZ X 6.0"NPSHF	RIGID TO SWIVEL HANDLE
AH3HSX-NX	ELBOW 6.0"STORZ X 6.0"NHF	RIGID TO SWIVEL HANDLE

DETENT ELBOWS — AJ Series

TFT AJ series detent elbows are cast to a 30° down angle for easy connection and to relieve the weight of the hose when connected. The swivel includes multiple detent options that allow the elbow to swivel 360°. This makes the LDH connection easy and will allow the hose to find its path of least resistance on its own. They are an ideal elbow for pumps with built-in intake valves. Their maximum operating pressure is 300 psi (20 bar) and they are compliant to NFPA 1964 2018 edition which

dictates a 900 psi (62 bar) hydrostatic strength test. The aluminum parts are hardcoat anodized per MIL-A-8625 Type III, Class 2 for maximum corrosion protection then powder coated silver. Hose couplings are attached using polymer bearing rings which provide electrical isolation to help prevent galvanic corrosion. All Storz couplings may be switched from rigid to swivel by loosening the lock screw. All 6" Storz couplings have an adjustable seal compression feature.

AJ3 SERIES - Storz to Swivel Female Handle



For 4", 5" and 6" Storz AJ3 series model numbers, order appropriate AJ1 series model numbers. AJ1 Series can easily be changed from rigid to full-time swivel, back out the lockout screw until the coupling moves freely. Refer to the diagram found in the Technical Data section of the catalog.

AJ1 SERIES - Storz to Swivel Female Handle



PART NO	DESCRIPTION	ADDITIONAL DESCRIPTION
AJ1SP-NT	DETENT ELBOW 4.0"STORZ X 5.0"NHF	SWIVEL FEMALE HANDLE
AJ1SP-NX	DETENT ELBOW 4.0"STORZ X 6.0"NHF	SWIVEL FEMALE HANDLE
AJ1ST-NT	DETENT ELBOW 5.0"STORZ X 5.0"NHF	SWIVEL FEMALE HANDLE
AJ1ST-NX	DETENT ELBOW 5.0"STORZ X 6.0"NHF	SWIVEL FEMALE HANDLE
AJ1SX-NX	DETENT ELBOW 6.0"STORZ X 6.0"NHF	SWIVEL FEMALE HANDLE

AJ7 SERIES - Swivel Female Rocker Lug to Swivel Female Handle



PART NO	DESCRIPTION	ADDITIONAL DESCRIPTION
AJ7NP-NX	DETENT ELBOW 4.0"NHF X 6.0"NHF	SWIVEL ROCKER LUG TO SWIVEL HANDLE

AJ7H SERIES - Swivel Female Handle to Swivel Female Handle



PART NO	DESCRIPTION	ADDITIONAL DESCRIPTION
AJ7HNP-NX	DETENT ELBOW 4.0"NHF X 6.0"NHF	SWIVEL HANDLE TO SWIVEL HANDLE

AJ8 SERIES - Rigid Male Rocker Lug to Swivel Female Handle



PART NO	DESCRIPTION	ADDITIONAL DESCRIPTION
AJ8NX-NX	DETENT ELBOW 6.0"NHM X 6.0"NHF	RIGID MALE TO SWIVEL HANDLE

BLIND CAPS & PLUGS — A0 Series

The A0 series of blind caps and plugs are made of lightweight heat treated aluminum. They include an 18" (46 cm) lanyard with ¼" (6mm) eye for easy attachment. Per NFPA 1963, Storz caps come with a gasket and no locking lever. The blind caps have a 1.5" Circle cotter for attachment.

Their maximum operating pressure is 300 psi (20 bar) and they are compliant to NFPA 1964 2018 edition which dictates a 900 psi (62 bar) hydrostatic strength test.

A01 SERIES - Blind Cap Rocker Lug with Lanyard



PART NO	DESCRIPTION
A01ID	BLIND CAP 1.0"NPSHF W/LANYARD
A01ND	BLIND CAP 1.0"NHF W/LANYARD
A01IF	BLIND CAP 1.5"NPSHF W/LANYARD
A01NF	BLIND CAP 1.5"NHF W/LANYARD
A01BF	BLIND CAP 1.5"BSPF W/LANYARD
A01IJ	BLIND CAP 2.5"NPSHF W/LANYARD
A01NJ	BLIND CAP 2.5"NHF W/LANYARD
A01BJ	BLIND CAP 2.5"BSPF W/LANYARD
A01NP	BLIND CAP 4.0"NHF W/LANYARD
A01NR	BLIND CAP 4.5"NHF W/LANYARD
A01NT	BLIND CAP 5.0"NHF W/LANYARD
A01NX	BLIND CAP 6.0"NHF W/LANYARD

A01H SERIES - Blind Cap Handle with Lanyard



PART NO	DESCRIPTION
A01HNR	BLIND CAP HNDL 4.5"NHF W/LANYARD
A01HNT	BLIND CAP HNDL 5.0"NHF W/LANYARD
A01HNX	BLIND CAP HNDL 6.0"NHF W/LANYARD

ADAPTERS

A05 SERIES - Blind Plug with Lanyard



PART NO	DESCRIPTION	ADDITIONAL DESCRIPTION
A05IF	BLIND PLUG 1.5"NPSHM W/LANYARD	ROCKER LUG BLIND PLUG
A05NF	BLIND PLUG 1.5"NHM W/LANYARD	ROCKER LUG BLIND PLUG
A05BJ	BLIND PLUG 2.5"BSPM W/LANYARD	ROCKER LUG BLIND PLUG
A05IJ	BLIND PLUG 2.5"NPSHM W/LANYARD	ROCKER LUG BLIND PLUG
A05NJ	BLIND PLUG 2.5"NHM W/LANYARD	ROCKER LUG BLIND PLUG

A01-PA SERIES - Blind Cap Rocker Lug with 1/4" NPTF



PART NO	DESCRIPTION
A01IF-PA	BLIND CAP 1.5"NPSHF W 1/4" NPTF
A01NF-PA	BLIND CAP 1.5"NHF W 1/4" NPTF
A01NJ-PA	BLIND CAP 2.5"NHF W 1/4" NPTF
A01IJ-PA	BLIND CAP 2.5"NPSHF W 1/4"NPTF

A01 SERIES - Adapter with Blind Cap



PART NO	DESCRIPTION	ADDITIONAL DESCRIPTION
A01NJ-IF	ADAPTER 2.5"NHF X 1.5"NPSHM WITH 1.5" CAP	FEMALE X MALE THREAD REDUCING ADAPTER
A01NJ-NF	ADAPTER 2.5"NHF X 1.5"NHM WITH 1.5" CAP	FEMALE X MALE THREAD REDUCING ADAPTER

A01S SERIES - Storz Blind Cap with Lanyard



PART NO	DESCRIPTION	ADDITIONAL DESCRIPTION
A01SP	BLIND CAP 4.0"STORZ W/LANYARD	STORZ LOCK NOT INCLUDED
A01ST	BLIND CAP 5.0"STORZ W/LANYARD	STORZ LOCK NOT INCLUDED
A01SX	BLIND CAP 6.0"STORZ W/LANYARD	W/ 1/4"NPT STORZ LOCK NOT INCLUDED

A01S SERIES - Storz with 1/4" NPTF



PART NO	DESCRIPTION	ADDITIONAL DESCRIPTION
A01SP-PA	CAP 4.0"STORZ W/ 1/4"NPT OUTLET PORT	STORZ LOCK NOT INCLUDED
A01ST-PA	CAP 5.0"STORZ W/ 1/4"NPT OUTLET PORT	STORZ LOCK NOT INCLUDED

HYDRANT ADAPTERS — A0 Series

Designed to enhance the rapid attachment of supply lines and improve inter-operability among responding agencies, hydrant Storz adapters easily and permanently attach to the threaded hydrant discharge port. The adapter and permanently secured cap are manufactured from hard anodized cast aluminum alloy for years of rugged use. The adapter

includes a Storz lock, set screws to secure adapter to hydrant, and a hole to install an anti-tamper device. Colored Scotchlite labeling is included in colors corresponding to NFPA 291 flow ranges (blue, green, orange and red). Adapter and cap meet NFPA 1963 and 1964 900psi hydrostatic testing.

A04 SERIES - Hydrant Adapter



* Model A04NR-ST

PART NO	DESCRIPTION	ADDITIONAL DESCRIPTION
A04NP-ST	HYDRANT ADAPTER 4.0"NHF X 5.0"STORZ	WITH 5.0"STORZ BLIND CAP & LANYARD
A04NR-ST*	HYDRANT ADAPTER 4.5"NHF X 5.0"STORZ	WITH 5.0"STORZ BLIND CAP & LANYARD*
A04NR-SX	HYDRANT ADAPTER 4.5"NHF X 6.0"STORZ	WITH 6.0"STORZ BLIND CAP & LANYARD
A04TT-ST	HYDRANT ADAPTER 5.0"NPTF X 5.0"STORZ	CAP NOT INCLUDED

HOSE THREAD ADAPTERS

TFT hose thread adapters allow for easy hose connections. The internal flow path is specially shaped to reduce friction loss and turbulence when reducing.

H-A SERIES - 2.5" Hose Reducing Adapter



PART NO	DESCRIPTION	ADDITIONAL DESCRIPTION
H-A	ADAPTER 2.5"NHF X 1.5"NHM RIGID	FEMALE X MALE THREAD REDUCING ADAPTER
H-A-SJNF	ADAPTER 2.5"STORZ X 1.5"NHM RIGID	STORZ X MALE REDUCING ADAPTER
H-A-NJIF	ADAPTER 2.5"NHF X 1.5"NPSHM RIGID	FEMALE X MALE THREAD REDUCING ADAPTER



Model
H-A-SJNF



PART NO	DESCRIPTION	ADDITIONAL DESCRIPTION
B-A	ADAPTER 1.5"NHF X 1.0"NHM	FEMALE X MALE THREAD REDUCING ADAPTER

J SERIES - Break and Extend Adapter



PART NO	DESCRIPTION	ADDITIONAL DESCRIPTION
JIF-NJ	ADAPTER 1.5"NPSHF X 2.5"NHM	USED FOR BREAK AND EXTEND OPERATIONS
JNF-NJ	ADAPTER 1.5"NHF X 2.5"NHM	USED FOR BREAK AND EXTEND OPERATIONS

FLANGE ADAPTERS

The flange adapters are designed for pressure or vacuum service. Their maximum operating pressure is 300 psi (20 bar) and they are compliant to NFPA 1964 2018 edition which dictates a 900 psi (62 bar) hydrostatic strength test. The aluminum parts are hardcoat anodized per MIL-A8625

Type III, Class 2 for maximum corrosion protection. All Storz adapters include a red anodized aluminum locking lever (4", 5", and 6"). All Storz adapters are supplied with pressure gaskets. Suction gaskets are available.

AA9 SERIES - Storz Outlet

PART NO	DESCRIPTION	ADDITIONAL DESCRIPTION
AA9FX-ST	ADAPTER 6.0" ANSI X 5.0" STORZ	FLANGE X STORZ
AA9FX-SX	ADAPTER 6.0" ANSI X 6.0" STORZ	FLANGE X STORZ

AA9 SERIES - Male Outlet

PART NO	DESCRIPTION	ADDITIONAL DESCRIPTION
AA9FX-IX	ADAPTER 6.0" ANSI X 6.0" NPSHM	FLANGE X MALE
AA9FX-NX	ADAPTER 6.0" ANSI X 6.0" NHM	FLANGE X MALE

AA9 SERIES - Female Outlet

PART NO	DESCRIPTION	ADDITIONAL DESCRIPTION
AA9FX-HNX-F	ADAPTER 6.0" ANSI X 6.0" NHF HDL	FLANGE X FEMALE HANDLE

TOOLS

TFT spanners, wrenches and tools are designed for rugged fire service use in a variety of applications. Many items include brackets for easy truck mounting.

TOOLS - Spanners, Wrenches, Brackets

PART NO	DESCRIPTION	ADDITIONAL DESCRIPTION
A3090	JUMBO SPANNER WRENCH	SINGLE FITS 1" THRU 6" STORZ
A3095-25	FORESTRY HOSE CLAMP	HOSE CLAMP BOX OF 25
A3800	ADJUSTABLE HYDRANT WRENCH	FITS 1" THRU 6" STORZ
A3810	SPANNER WRENCHES & BRACKET	4 WRENCHES FIT 1" THRU 6" STORZ
A3813	SPANNER WRENCH	WRENCH ONLY
A3815	WRENCH BRACKET & SPRING	
A3820	HAND HELD HOSE ROLLER	
A3835	HYDRANT WRENCH	WRENCH ONLY
A3840	2 WRENCH BRACKET SET	SPANNERS
A3842	2 WRENCH BRACKET	BRACKET ONLY
A3843	3 WRENCH BRACKET	BRACKET ONLY
A3845	3 WRENCH BRACKET SET	SPANNERS & HYDRANT
A3850	3 WRENCH BRACKET SET TFT	SPANNERS & TFT HYDRANT



JUMBO SPANNER WRENCH
■ **A3090**



FORESTRY HOSE CLAMP
■ **A3095-25**



ADJUSTABLE HYDRANT WRENCH
■ **A3800**



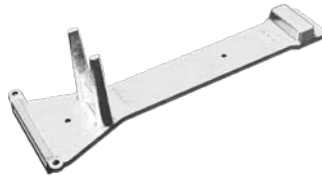
SPANNER WRENCHES & BRACKET
■ **A3810**

TOOLS

TOOLS - Spanners, Wrenches, Brackets



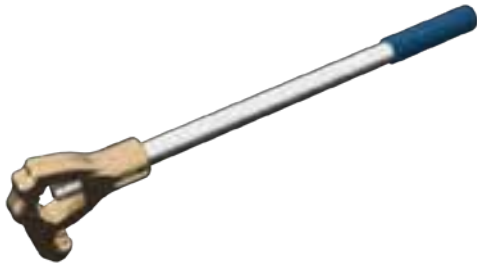
SPANNER WRENCH
■ **A3813**



WRENCH BRACKET & SPRING
■ **A3815**



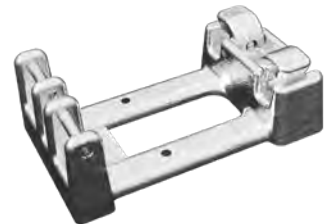
HAND HELD HOSE ROLLER
■ **A3820**



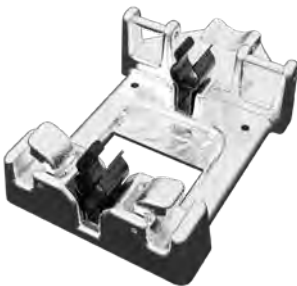
HYDRANT WRENCH
■ **A3835**



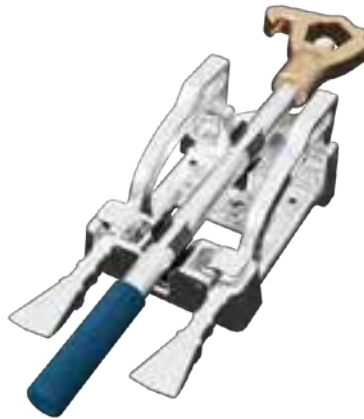
2 WRENCH BRACKET SET
■ **A3840**



2 WRENCH BRACKET
■ **A3842**



3 WRENCH BRACKET
■ **A3843**



3 WRENCH BRACKET SET
■ **A3845**



3 WRENCH BRACKET SET TFT
■ **A3850**

RES-Q-RENCH® - Spanner



PART NO	DESCRIPTION	ADDITIONAL DESCRIPTION
SPAN1	RES-Q-RENCH WITH BOX	FOLDING MULTI-FUNCTION SPANNER WRENCH
SPAN1-202	RES-Q-RENCH STORZ 32-38-45-52-65-75-110	FOLDING MULTI-FUNCTION SPANNER WRENCH
SPAN1-NB	RES-Q-RENCH NO BOX	FOLDING MULTI-FUNCTION SPANNER WRENCH
SPAN25	RES-Q-RENCH BOX OF 25	FOLDING MULTI-FUNCTION SPANNER WRENCH

■ **REPAIR KITS**

1.0" Twister, QuadraFog, and D75 Series Ball Valves

D10-KIT	1.0" Twister Front End Seat/Seal Kit
D75-KIT	1.0" Rear Valve Seat Kit
D75-HDL	Bail Handle & Valve Seat Kit (NO Mandrel)
D75-HRK	Bail Handle & Valve Seat Kit (Incl. Mandrel)

1.5" Twister, QuadraFog, QuadraCup, and F100 Series Ball Valves

F20-KIT	1.5" Twister Front End Seat/Seal Kit
F100-KIT	1.5" Rear Valve Valve Rear Seat Kit
F100-HDL	Bail Handle & Valve Seat Kit (NO Mandrel)
F100-HRK	Bail Handle & Valve Seat Kit (Incl. Mandrel)

1.5" and 2.5" ThunderFog, F140 and J140 Ball Valve Series

F140-KIT	Valve Rear Seat Kit
F140-HDL	Bail Handle & Valve Seat Kit (NO Mandrel)
F140-HRK	Bail Handle & Valve Seat Kit (Incl. Mandrel)
J140-KIT	2.5" Rear Valve Seat Kit
J140-HRK	Bail Handle & Valve Seat Kit (Incl. Mandrel)

Bubble Cup SERIES

D285-KIT	1.0" Bubble Cup Stream Shaper Kit
F685-KIT	1.5" Bubble Cup Stream Shaper Kit
F675-KIT	QuadraCup Aluminum Stream Shaper Kit
F675-UPGRADE	QuadraCup Aluminum Sleeve Upgrade

ULTIMATIC SERIES - Manufactured After 1983

B950-KIT	Bail Handle Kit (Metal)
B955-KIT	Bail Handle Kit (Manuf After 8/05)
B960-KIT	Valve Seal Kit
B880-KIT	Stream Shaper Kit

MIDRANGE SERIES

HM960-KIT	Nozzle Seal Kit
HM840-KIT	100 Psi Control Unit
HM840-75-KIT	75 Psi Control Unit
HMD840-KIT	Dual Pressure Control Unit 100/55 Psi
HM997N-KIT	1.5" NH Coupling Kit
HM997I-KIT	1.5" NPSH Coupling Kit
HM590-KIT	-V and -VPGI Valve Plug
HM592-KIT	STO Valve Plug
HM950-KIT	Bail Handle Kit
HM880-KIT	Stream Shaper Kit

HANDLINE SERIES (manufactured after 1983 to current)

H994I-KIT	1.5" NPSH Coupling Kit
H994N-KIT	1.5" NH Coupling Kit
H880-KIT	Stream Shaper Kit
H960-KIT	Valve Seal Kit
P920-KIT	Playpipe Handle/Hdw Kit
HX950-KIT	Bail Handle Kit (Replaces Metal Handle)

(manufactured after Jan 01, 2004)

HX840-75-KIT	Pressure Control Unit 75 Psi
HX840-KIT	Pressure Control Unit 100 Psi
HXD830-KIT	Dual Pressure Knob 100 Psi
HXD840-KIT	Dual Pressure Control Unit 100/55 Psi
HXDL840-KIT	Dual Pressure Control Unit 75/45 Psi

H-VO VALVES

P690-KIT	Ball Valve Repair Kit
----------	-----------------------

HANDLINE SERIES UPGRADE KITS (manufactured between 1985 to 2003)

Single Pressure

HX-100-KIT	95-300 GPM @ 100 PSI
HX-75-KIT	95-250 GPM @ 75 PSI
HX-55-KIT	95-225 GPM @ 55 PSI

Dual Pressure

HXD-100-KIT	95-300 GPM @ 100/55 PSI (dual pressure)
-------------	---

EXTEND-A-GUN SERIES

XG840-KIT	MANUAL EXTEND-A-GUN REED SWITCH
XGA840-KIT	RC3 EXTEND-A-GUN REED SWITCH (made before June 2009)
XGA841-KIT	RC4 EXTEND-A-GUN REED SWITCH (made before June 2009)
XGE695-KIT	RC EXTEND-A-GUN REED SWITCH (made after June 2009)
XGE690-KIT	RC EXTEND-A-GUN DRIVE BOX Repair Kit (6/1/09 and newer)

LDH SERVICE KITS

A1520-KIT	AB, AC, and ABS Series BIV Valve Seat Kit
A1520-CRK	BIV Complete Rebuild Kit
A1082-KIT	AX, AP, and AQ Series Jumbo BIV Valve Seat Kit
A1082-CRK	Jumbo BIV Complete Rebuild Kit
A1621-KIT	Vent Drain Kit - Lever Style
A1633-KIT	Parallel Shaft Gear Box Kit
AX1690-KIT	BIV RC Upgrade
AX1691-KIT	Gauge Kit For AX Series Jumbo BIV 0-200 PSI
A4178-KIT	Storz lever lock alum upgrade kit - 4"
A4179-KIT	Storz lever lock alum upgrade kit - 5"
THA401-ST	Retaining Strip Removal Tool
THA406-KIT	BIV Seat Tool
AM-BAND-KIT	Suction Hose Repair Kit
A1410-KIT	Suction Screen 5"
A1411-KIT	Suction Screen 6"
JET-ELBOWKIT	Jet Siphon Elbow Upgrade Kit
JET-NF-KIT	JET SIPHON FIELD CONVERSION KIT
A4215-KIT	4" (102 mm) Storz pressure gasket
A4216-KIT	4" (102 mm) Storz suction gasket
A4220-KIT	5" (127 mm) Storz pressure gasket
A4221-KIT	5" (127 mm) Storz suction gasket
A4274	6" (152 mm) Storz pressure gasket
A4273	6" (152 mm) Storz suction gasket
PRV-KIT	PRV Field Rebuild Kit Without Galvanic Insulator
PRV-G-KIT	PRV Field Rebuild Kit With Galvanic Insulator

INTEGRAL SMOOTH BORE ORIFICE REPLACEMENT

P116-KIT	Stream Straightener 1-1/2"
HVIT1-KIT	VIT Ball Valve Outlet 7/8"
HVIT2-KIT	VIT Ball Valve Outlet 15/16"
HVIT3-KIT	VIT Ball Valve Outlet 1"
HVIT4-KIT	VIT Ball Valve Outlet 1-1/8"
HVIT5-KIT	VIT Ball Valve Outlet 1-1/4"
HVIT7-KIT	VIT Ball Valve Outlet 1-3/16"
HVIT8-KIT	VIT Ball Valve Outlet 1-1/16"

REPAIR KITS

VALVE UNDER MONITOR SERIES

AY321-KIT Aluminum Long Handle 4.75" swing radius

LUBRICANTS

VSA-101 Dow 112 Grease 5.3 Oz Tube
 VSA-110 Breakfree 4 Oz Aerosol
 VSA-112 Breakfree 12 Oz Aerosol
 H-LUBE-KIT Nozzle Lubrication Kit
 H-LUBE-KIT-P Nozzle Lubrication Kit Non-Aerosol for International

2.5" GATED WYE

AY175-KIT 200 psi Gauge Kit For Ay Series 2.5" Gated Wye
 AY176-KIT 300 PSI Gauge Kit for AY Series 2.5" Gated Wye
 A1621-KIT Vent Drain Kit - Lever Style
 AY970-KIT* Slow Close Valve Kit *(contact TFT customer service for correct model number for your valve)

CROSSFIRE - BLITZFIRE

X170-KIT CROSSFIRE Rotation Lock Insert Kit
 X455-KIT CROSSFIRE Tie Down Strap
 X960-KIT CROSSFIRE Spike Replacement Kit
 XX482-KIT BLITZFIRE Spike Replacement Kit
 XX830-KIT Elevation Swivel Clutch Assembly
 XX910-KIT BLITZFIRE Trip Mechanism Kit
 XX-STRAP-KIT BLITZFIRE Tie Down Strap
 XF400-KIT CROSSFIRE Truck Mount Block

EDUCTOR

UE960-KIT Cam Lock Adapter

MONITORS

TETHER01-KIT Stacked Tips Tether Kit

PRO/pak

U230-KIT PRO/pak Knob Repair Kit

DECON/pak

U232-KIT DECON/pak Knob Repair Kit

COLORED HANDLE KITS

Colored Valve Handle Covers

All nozzles delivered after 09/01/09 have the ability to have colored valve handles added. Colored handle covers are available at no charge at the time of order. The following colors are available and for a nominal fee can be custom laser engraved. For additional information on this option, contact TFT customer service.

HM925BLK-KIT BLACK COVER
 HM925BLU-KIT BLUE COVER
 HM925GRN-KIT GREEN COVER
 HM925GRY-KIT GRAY COVER
 HM925ORG-KIT ORANGE COVERS
 HM925PNK-KIT PINK COVER
 HM925PPL-KIT PURPLE COVER
 HM925RED-KIT RED COVER
 HM925RW-KIT RED & WHITE COVER
 HM925TAN-KIT TAN COVER
 HM925WHT-KIT WHITE COVER
 HM925YEL-KIT YELLOW COVER

METRO SERIES FLOW/PRESSURE CHANGE KITS

ME0-KIT Metro 0 Flow Pressure Change Kit
 ME1-TO-KIT Metro TO Flow Pressure Change Kit
 ME1-V-KIT Metro Valved Flow Pressure Change Kit
 ME2-KIT Metro 2 Flow Pressure Change Kit

PISTOL GRIP KITS

Colored Pistol Grips for TFT Nozzles

All TFT nozzles delivered after 03/01/01 have the ability to have colored pistol grips added. For nozzles manufactured before this date, contact TFT's service department for availability. Colored pistol grips are available at no charge at time of order. Kits can also be ordered for adding a grip to a non-grip model for a nominal fee.

HM692BLK-KIT BLACK GRIP
 HM692BLU-KIT BLUE GRIP
 HM692GRN-KIT GREEN GRIP
 HM692GRY-KIT GRAY GRIP
 HM692ORG-KIT ORANGE GRIP
 HM692PNK-KIT PINK GRIP
 HM692PPL-KIT PURPLE GRIP
 HM692RED-KIT RED GRIP
 HM692TAN-KIT TAN GRIP
 HM692WHT-KIT WHITE GRIP
 HM692YEL-KIT YELLOW GRIP

PISTOL GRIP KITS

Colored Pistol Grip Covers for TFT Impulse Nozzles With A Trigger Valve System

Impulse trigger nozzles have the ability to have colored pistol grip covers. Colored grip covers are available at no charge at time of order, or when the warranty information is filled out online at tft.com. Black is standard grip color.

TN691BLK-KIT BLACK GRIP COVER
 TN691GRN-KIT GREEN GRIP COVER
 TN691GRY-KIT GRAY GRIP COVER
 TN691ORG-KIT ORANGE GRIP COVER
 TN691PNK-KIT PINK GRIP COVER
 TN691PPL-KIT PURPLE GRIP COVER
 TN691RED-KIT RED GRIP COVER
 TN691TAN-KIT TAN GRIP COVER
 TN691YEL-KIT YELLOW GRIP COVER

INSTRUCTION MANUALS

(instruction manuals available at no charge)

All Manuals are available on line at tft.com or call TFT customer service.

THREAD INFORMATION

STANDARD FIRE HOSE THREADS											
Size	ODM	TPI	Size	ODM	TPI	Size	ODM	TPI	Size	ODM	TPI
Nat'l. Hose Thread (NHT)			Eastern Hose Thread			NY Corp. Thread			Quebec Standard Thread (QST)		
.75	1.3750	8	.75	1.0781	11	1.5	2.093	11			
1	1.3750	8	1	1.4219	11	2	2.547	11	2.5	3.031	7
			1.25	1.6875	11.5	2.5	3.000	8	Alberta Mutual Aid Thread (AMA)		
1.5	1.9900	9	1.5	2.1250	11	Chicago FD Thread			2.5	2.990	8
			2	2.6719	7.5	1	1.375	8	British Columbia (BCT)		
2.5	3.0686	7.5	2.5	3.0000	8	1.5	1.933	11.5	2.5	3.000	8
3	3.6239	6	Pacific Coast Thread			2.5	2.990	7.5	Western Canada Fire Underwriters Thread		
3.5	4.2439	6	.75	1.0625	11	3.5	4.052	8	Buffalo, NY Thread		
4	5.000	4	1	1.3125	11.5	4	5.000	4	2.5	3.250	6
4.5	5.7609	4	1.25	1.8600	11	4.5	5.7609	4	Chicago Hose Thread		
5	6.260	4	1.5	2.1000	11	5	6.260	4	2.5	3.057	8
6	7.025	4	2	2.5500	10	Chicago Pipe Thread			Cincinnati, OH Thread		
Nat'l. Pipe Straight Hose Thread (NPSH)			2.5	3.0350	7.5	.75	1.0810	11.5	2.5	3.058	6
			FDNY Thread			1	1.2951	11.5	Cleveland, OH & Omaha, NE Thread		
.75	1.0353	14	1	1.660	8	1.25	1.7050	11.5	Detroit, MI Thread		
1	1.2951	11.5	1.5	2.100	8	1.5	1.9460	11.5	2.5	3.125	7.5
1.25	1.6399	11.5	2	2.530	8	2	2.5220	8	Pittsburgh, PA Thread		
1.5	1.8788	11.5	2.5	3.030	8	2	3.0430	7	2.5	3.0625	6
2	2.3528	11.5	3	3.630	8	Standard Chemical Thread			Toledo, OH Thread		
2.5	2.843	8	3.5	4.070	8	.75	1.375	8	Canadian Standard Assoc. Thread (CSA)		
3	3.4700	8	4	4.610	8	Underwriter Tip Thread			2.5	3.000	8
3.5	3.9700	8	4.5	5.800	4	1.5	1.8788	11.5			
4	4.4700	8	1.5	2.1875	12	2.5	3.1250	5			
4.5	4.9700	8									

SUCTION HOSE THREADS					
Size	ODM	TPI	Size	ODM	TPI
American LaFrance Thread			Seagrave Thread		
			4.0	5.000	4
4.0	5.085	4	4.5	5.750	4
4.5	5.750	4	5	6.250	4
5	6.150	4	6	7.000	4
6	7.000	4	Hale Fire Pump Thread		
Mack Thread			4.0	5.000	4
4.0	4.999	4	4.5	5.7609	4
4.5	5.7609	4	5	6.250	4
5	6.230	4	Ward LaFrance Thread		
Maxim Thread			4.0	5.000	4
4.0	5.000	4	4.5	5.750	4
4.5	5.750	4	5	6.250	4
5	6.250	4	6	7.000	4
6	7.000	4	Waterous Fire Pump Thread		
Pirsch Thread			4.0	5.0109	4
4.0	5.000	4	4.5	5.7609	4
4.5	5.750	4	5	6.260	4
5	6.250	4			
6	7.000	4			

ABBREVIATION DEFINITIONS

ODM – outside diameter of male

TPI – threads per inch

THREAD DESIGNATIONS

National Hose – NH or NHT; also called National Standard Thread (NST)

National Pipe Straight Hose – NPSH; also called Straight Iron Pipe Thread (SIPT)

National Pipe Thread – NPT; also called Tapered Iron Pipe Thread (TIPT)

British Standard Parallel Pipe – BSP

British Standard Pipe Taper – BSP

Please contact customer service to check availability of a specific thread on your product.

FLANGE SPECIFICATIONS							
ANSI Flange Size	2.5" 150#	3.0" 150#	3.0" 300#	4.0" 150#	4.0" 300#	6.0" 150#	6.0" 300#
Diam. of Flange	7.00"	7.50"	8.25"	9.00"	10.00"	11.00"	12.50"
Bolt Circle Diam.	5.50"	6.00"	6.625"	7.50"	7.875"	9.50"	10.625"
Bolt Hole Diam.	.750"	.750"	.875"	.750"	.875"	.875"	.875"
No. Bolt Holes	4	4	8	8	8	8	12
Bolt Diameter	.625"	.625"	.750"	.625"	.750"	.750"	.750"

METHODS FOR DETERMINING THREAD DIMENSIONS

If Leaf Thread Gauge and Thread Caliper are not available; or sample cannot be sent, the following method may be used to obtain the needed information about threads.

- 1) Cut a strip of paper about 1" wide and long enough to completely encircle the male thread.
- 2) Wrap this paper snugly around the male thread making sure it is against the shoulder all the way around.

- 3) Pierce the paper with a pin at some point where the paper overlaps.
- 4) Press firmly against the threads with finger. This impression in the paper is used to determine the threads per inch.
- 5) Remove strip and circle pin holes with pencil.
- 6) The distance between the pin holes divided by 3.1416 equals the ODM (outside diameter of the male).

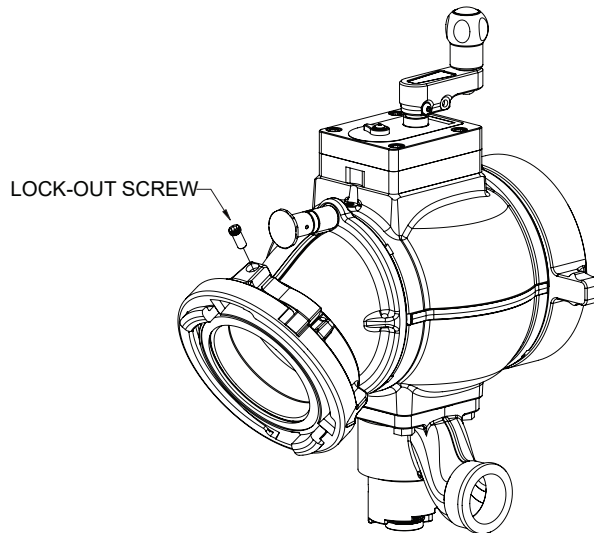
Both the ODM and the threads per inch are needed for ordering purposes. Unified thread form supplied unless otherwise specified.



CHANGING STORZ COUPLING LOCK-OUT

To change a Storz coupling from rigid to full-time swivel, use a 7/32" (5.5 mm) Allen driver to back out the lockout screw until the coupling moves freely.

To change a coupling from full-time swivel to rigid, rotate the coupling until the lockout screw is aligned with the lockout divot (location varies by product). Use a 7/32" (5.5 mm) Allen driver to tighten the lockout screw into the lockout divot.



FLANGE SPECIFICATIONS

FLANGE SPECIFICATIONS					
FITS FLANGE	OUTSIDE DIAMETER	THICKNESS	BOLT HOLE CIRCLE	NUMBER OF BOLTS	SIZE OF BOLTS
3" (76 mm) ANSI 125/150 DN80 PN20	7.50" 190 mm	0.75" 19 mm	6.00" 152 mm	4 4	5/8" M16
4" (102 mm) ANSI 150 DN100 PN20	9.00" 229 mm	0.94" 24 mm	7.50" 190 mm	8 8	5/8" M16
DN80 PN16	200 mm	22 mm	160 mm	8	16 mm
DN100 PN16	220 mm	22 mm	180 mm	8	16 mm

SMOOTHBORE DISCHARGE AND REACTION

Gallons Per Minute (gpm) Pounds Reaction Force (Lbf)

Smoothbore Nozzle Discharge and Reaction Chart

Diameter	3/8"	1/2"	5/8"	3/4"	7/8"	15/16"	1"	1-1/8"	1-1/4"	1-3/8"	1-1/2"	1-3/4"	2"	2-1/4"	2-1/2"	2-3/4"	
40	26	47	73	106	144	165	188	238	294	355	423	575	752	951	1174	1421	gpm
	9	16	25	35	48	55	63	79	98	119	141	192	251	318	393	475	Lb _i
45	28	50	78	112	153	175	199	252	311	377	448	610	797	1009	1246	1507	gpm
	10	18	28	40	54	62	71	89	110	134	159	216	283	358	442	534	Lb _i
50	30	53	82	118	161	185	210	266	328	397	473	643	840	1064	1313	1589	gpm
	11	20	31	44	60	69	79	99	123	148	177	240	314	397	491	594	Lb _i
55	31	55	86	124	169	194	220	279	344	417	496	675	881	1115	1377	1666	gpm
	12	22	34	49	66	76	86	109	135	163	194	264	345	437	540	653	Lb _i
60	32	58	90	129	176	202	230	291	360	435	518	705	921	1165	1438	1740	gpm
	13	24	37	53	72	83	94	119	147	178	212	288	377	477	589	712	Lb _i
65	34	60	94	135	183	211	240	303	374	453	539	734	958	1213	1497	1811	gpm
	14	26	40	57	78	90	102	129	159	193	230	313	408	517	638	772	Lb _i
70	35	62	97	140	190	218	249	315	388	470	559	761	994	1258	1554	1880	gpm
	15	27	43	62	84	97	110	139	172	208	247	337	440	556	687	831	Lb _i
75	36	64	101	145	197	226	257	326	402	486	579	788	1029	1303	1608	1946	gpm
	17	29	46	66	90	103	118	149	184	223	265	361	471	596	736	890	Lb _i
80	37	66	104	149	203	234	266	336	415	502	598	814	1063	1345	1661	2010	gpm
	18	31	49	71	96	110	126	159	196	237	283	385	502	636	785	950	Lb _i
85	39	68	107	154	210	241	274	347	428	518	616	839	1096	1387	1712	2071	gpm
	19	33	52	75	102	117	133	169	209	252	300	409	534	676	834	1009	Lb _i
90	40	70	110	159	216	248	282	357	440	533	634	863	1127	1427	1762	2132	gpm
	20	35	55	79	108	124	141	179	221	267	318	433	565	715	883	1069	Lb _i
95	41	72	113	163	222	255	290	366	452	547	652	887	1158	1466	1810	2190	gpm
	21	37	58	84	114	131	149	189	233	282	336	457	597	755	932	1128	Lb _i
100	42	74	116	167	227	261	297	376	464	562	668	910	1188	1504	1857	2247	gpm
	22	39	61	88	120	138	157	199	245	297	353	481	628	795	981	1187	Lb _i
105	43	76	119	171	233	268	304	385	476	576	685	932	1218	1541	1903	2302	gpm
	23	41	64	93	126	145	165	209	258	312	371	505	659	835	1030	1247	Lb _i
110	44	78	122	175	239	274	312	394	487	589	701	954	1246	1577	1948	2356	gpm
	24	43	67	97	132	152	173	219	270	327	389	529	691	874	1079	1306	Lb _i
115	45	80	124	179	244	280	319	403	498	602	717	976	1274	1613	1991	2409	gpm
	25	45	71	102	138	159	181	229	282	341	406	553	722	914	1128	1365	Lb _i
120	46	81	127	183	249	286	325	412	509	615	732	997	1302	1648	2034	2461	gpm
	26	47	74	106	144	166	188	238	294	356	424	577	754	954	1178	1425	Lb _i
125	47	83	130	187	254	292	332	420	519	628	747	1017	1329	1682	2076	2512	gpm
	28	49	77	110	150	172	196	248	307	371	442	601	785	994	1227	1484	Lb _i
130	48	85	132	191	259	298	339	429	529	640	762	1037	1355	1715	2117	2562	gpm
	29	51	80	115	156	179	204	258	319	386	459	625	816	1033	1276	1544	Lb _i
135	49	86	135	194	264	303	345	437	539	653	777	1057	1381	1748	2157	2611	gpm
	30	53	83	119	162	186	212	268	331	401	477	649	848	1073	1325	1603	Lb _i
140	49	88	137	198	269	309	352	445	549	665	791	1077	1406	1780	2197	2658	gpm
	31	55	86	124	168	193	220	278	343	416	495	673	879	1113	1374	1662	Lb _i
145	50	89	140	201	274	314	358	453	559	676	805	1096	1431	1811	2236	2706	gpm
	32	57	89	128	174	200	228	288	356	430	512	697	911	1152	1423	1722	Lb _i
150	51	91	142	205	279	320	364	461	569	688	819	1114	1455	1842	2274	2752	gpm
	33	59	92	132	180	207	236	298	368	445	530	721	942	1192	1472	1781	Lb _i
175	55	98	154	221	301	345	393	497	614	743	884	1204	1572	1990	2456	2972	gpm
	39	69	107	155	210	241	275	348	429	519	618	841	1099	1391	1717	2078	Lb _i
200	59	105	164	236	322	369	420	532	657	794	945	1287	1681	2127	2626	3177	gpm
	44	79	123	177	240	276	314	397	491	594	707	962	1256	1590	1963	2375	Lb _i

NOZZLE PRESSURE PSI (Measured With Pitot Gauge.)

National Fire Protection Association (NFPA) Fire Protection Handbook - 17th Edition
 International Fire Service Training Association (IFSTA) Fire Protection Publications -
 Fire Stream Practices - 7th Edition
 Nozzle Pressure Measured With Pitot Gauge, Reaction Force Measured In Pounds

Smoothbore Reaction Formula: $NR = 1.57D^2NP$
 Smoothbore Discharge Formula: $GPM = 29.7D^2 \sqrt{NP}$
 D = Bore Diameter in inches NP = Nozzle Pressure in PSI

FLOW INFORMATION

CRITICAL APPLICATION RATES					
COMMON ITEMS	AREA IN SQ FT (LXW)	INVOLVEMENT			
		100%	75%	50%	25%
Dumpster	24 (6x4)	8	6	4	2
Car Fire	‡ Full Size	150	150	150	150
Bedroom	225 (15x15)	75	56	38	19
Living Room	300 (15x20)	100	75	50	25
Multiple Bedrooms (2)	450 (15x15)x2	150	113	75	38
Detached Garage	574 (24x24)	192	144	96	48
Mobile Home (house trailer)	980 (14x70)	327	245	164	82
Tax Payer First Floor (downtown store front)	1000 (20x50)	333	250	167	83
Small Ranch House	1125 (45x25)	375	281	188	94
Large 2 Story House (1 Floor)	1600 (40x40)	533	400	267	133
Large 2 Story House (2 Floors)	3200 (40x40)x2	1,066	800	533	267
Pole Barn	3000 (40x50)x1.5*	1,000	750	500	250
Warehouse	40,000 (100x200)x2*	13,333	10,000	6,667	3,333
* Additional Height Factor		GPM FLOW REQUIRED			

See TFT's New SHO-FLOW App found in the Flow Test section of the catalog.

Quick fireground formula: NFA, National Fire Academy water application rates for room & contents.

$$\frac{L \times W}{3} = \text{GPM}$$

L = Length in feet

W = Width in feet

GPM = Water flow rate required to black out the fire in approximately ten seconds, when properly applied.

This assumes approximate standard combustible contents and heights of 10 feet per story. Adjust for % of involvement, and number of stories involved. Be prepared to increase flow to match 100% involvement, if necessary. Add 25% for exposures.

‡ Suggested minimum application for a car fire is 150 gpm, due to fuel hazards involved.

This water application chart has been designed to provide a quick means of calculating an approximation of the initial flow rates needed. Actual flow rates required will vary depending on the conditions at the scene. This water application chart is not designed to, nor can it, provide the user with the definitive requirements to address a particular fire fighting situation. The selection of application devices and application methods for the fire hazard being addressed is the responsibility of the fire fighting professional.

Ref: IFSTA Fire Protection Publications Fire Stream Practices 7th Edition.

PUMP DISCHARGE PRESSURE CHARTS													
1.75" Hose Flow (GPM)	75 PSI Nozzle Pressure Length Of Hose			100 PSI Nozzle Pressure Length Of Hose			2.50" Hose Flow (GPM)	75 PSI Nozzle Pressure Length Of Hose			100 PSI Nozzle Pressure Length Of Hose		
	150 FT (PSI)	200 FT (PSI)	250 FT (PSI)	150 FT (PSI)	200 FT (PSI)	250 FT (PSI)		150 FT (PSI)	200 FT (PSI)	250 FT (PSI)	150 FT (PSI)	200 FT (PSI)	250 FT (PSI)
60	83	86	89	108	111	114	60	76	76	77	101	101	102
95	96	103	110	121	128	135	95	78	79	80	103	104	105
125	111	123	136	136	148	161	125	80	81	83	105	106	108
150	127	145	162	152	170	187	150	82	84	86	107	109	111
175	146	170	194	171	195	219	175	84	87	90	109	112	115
200	168	199	230	193	224	255	200	87	91	95	112	116	120
225	193	232	271	218	257	296	225	90	95	100	115	120	125
250	220	269	—	245	294	—	250	94	100	106	119	125	131
275	251	—	—	276	—	—	275	98	105	113	123	130	138
300	—	—	—	—	—	—	300	102	111	120	127	136	145
325	—	—	—	—	—	—	325	107	117	128	132	142	153
350	—	—	—	—	—	—	350	112	124	136	137	149	161

NOTE: Flows may vary with brand or condition of hose. Flows are approximate and do not reflect losses in preconnect piping. Use TFT's New Sho-Flow for accurate, real-time results.

Formula Used: PDP = NP + FL

PDP = Pump Discharge Pressure
 NP = Nozzle Pressure
 FL = Friction Loss

FL = CQ²L

C for 1.75" Hose = 15.5

C for 2.50" Hose = 2

Q Flow Rate in Hundreds of GPM

L Length of Hose in Hundreds of Feet

HYDRANT DISCHARGE

DISCHARGE FOR HYDRANT OUTLETS									
Outlet Pressure (lbs.)	Outlet Diameter				Outlet Pressure (lbs.)	Outlet Diameter			
	2.5"	3.0"	4.0"	4.5"		2.5"	3.0"	4.0"	4.5"
	U.S. Gallons per Minute					U.S. Gallons per Minute			
1	170	240	430	540	16	670	970	1720	2180
2	240	340	610	770	17	690	1000	1770	2240
3	290	420	740	940	18	710	1030	1820	2310
4	340	480	860	1090	19	730	1050	1870	2370
5	380	540	960	1220	20	750	1080	1920	2430
6	410	590	1050	1340	22	790	1130	2020	2550
7	440	640	1140	1440	24	820	1180	2110	2660
8	480	680	1220	1540	26	860	1230	2190	2770
9	500	730	1290	1640	28	890	1280	2280	2880
10	530	760	1360	1730	30	920	1320	2350	2980
11	560	800	1430	1810	32	950	1370	2430	3080
12	580	840	1490	1890	34	980	1410	2510	3170
13	610	870	1550	1960	36	1010	1450	2580	3260
14	630	900	1610	2040	38	1040	1490	2650	3350
15	650	940	1660	2110	40	1060	1530	2720	3440

See TFT's New SHO-FLOW App in the Flow Test section.

HYDRANT DISCHARGE FORMULA

To obtain the flow from hydrant outlets use the same formula as given for smoothbore nozzles but use the factor "C" equal to 0.90. Every Fire Department should check the flow from their hydrants. This can be done simply and easily using only a cap with a pressure gauge attached. Merely place the gauge on one outlet, open the hydrant and read the gauge. Remove another cap, open the hydrant and read the gauge again and obtain the gallons per minute using the above method or from the discharge table for hydrant outlets. Obtain the maximum amount of water available from the discharge table for hydrant outlets. Then to obtain the maximum amount of water available from the hydrant in gallons per minute with a residual of 10 lbs. (which is the lowest you should draw down the pressure on the hydrant) use the following formula.

$$A = \frac{Bx\sqrt{P1-10}}{\sqrt{P1-P2}}$$

Where: A = Gallons per minute available at 10 lbs residual.

B = Gallons per minute obtained.

P1 = Static pressure on hydrant with no water flowing.

P2 = Residual pressure on hydrant with water flowing.

DEFINITIONS OF COMMON PRESSURE TERMS

Static or Sidewall Pressure: "Static" means not moving. Static Pressure can be the pressure on a hydrant while it is not flowing. It can also be the pressure measured at a small hole though the side of a pipe –even if there is flow going though the pipe. Since there is no flow going into the small hole this is another measure of static pressure. Pressure measured though a small hole in the side of a pipe is also known as Sidewall Pressure.

Dynamic Pressure: Dynamic Pressure is pressure caused by the fluid's velocity. In mathematical terms the Dynamic Pressure varies with the velocity squared. So doubling the velocity increases the Dynamic Pressure by four (2 squared equals 4). A pitot tube can be used to measure Dynamic Pressure. A pitot tube is a special device that measures Total and Static Pressures simultaneously. The Dynamic Pressure equals the Total Pressure minus the Static Pressure.

Total Pressure: Total Pressure is the Dynamic Pressure added to the Static Pressure. The Total Pressure can be measured with a "stagnation tube". A stagnation tube is a curved piece of tubing with a pressure gauge. Total Pressure is measured by orienting the tubing so it's opening is impacted

squarely by the fluid flow. A Stagnation Tube is often called a Pitot Tube in the fire service and is used to measure the Total Pressure at a nozzle's outlet. Since the stream exiting a nozzle has zero Static (or Sidewall) Pressure, a Stagnation Tube in the exit stream gives the Total Pressure.

Residual Pressure: Residual Pressure is the static (or sidewall) pressure at a location while a system is flowing. Due to Friction Loss, the residual pressure decreases as flow increases.

Friction Loss: Friction loss is the amount of pressure difference between two points while flowing. It is determined by comparing the Total Pressure between the two points. For example: A device with a Total Pressure of 120 psi at the inlet and a Total Pressure of 95 psi at the outlet while flowing 1000 gpm. The device's Friction Loss would be 25 psi at 1000 gpm. The Friction Loss varies with the square of the flow. So doubling the flow yields four times the friction loss.

Operating Pressure: Operating Pressure is the Static (or Sidewall) pressure in a device during use.

STANDARDS REFERENCED IN THE CATALOG

NFPA 1962 (2018) - Standard for the Care, Use, Inspection, Service Testing and Replacement of Fire Hose, Couplings, Nozzles, and Fire Hose Appliances.

NFPA 1963 (2019)- Standard for Fire Hose Connections

NFPA 1964 (2018)- Standard for Spray Nozzles and Appliances

NFPA 1901 (2016)- Standard for Automotive Fire Apparatus

ISO 228-1: 2000- Pipe Threads where Pressure-Tight Joints are Not Made on Threads- Part 1: Dimensions, Tolerances and Design

ISO 228-2: 1987- Pipe Threads where Pressure-Tight Joints are Not Made on Threads- Part 2: Verification by Means of Limit Gauges

ANSI/ASME B1.20.1-2013 (R2018)- Pipe Threads, General Purpose (inch)

CE- Refers to the following:

IEC 61000-6-3 (2011) General Standards- Emission Standard for Residential, Commercial and Light Industrial Environments

IEC 61000-6-2 (2016) Generic Standards- Immunity for Industrial Environments

METRIC CONVERSIONS

LIQUID VOLUME

To Convert	Into	Multiply by
Ounces (oz)	Milliliters (ml)	29.57
Pints (pt)	Liters (l)	0.4732
Quarts (qt)	Liters (l)	0.9464
Gallons (gal)	Liters (l)	3.785
Milliliters (ml)	Ounces (oz)	0.0338
Liters (l)	Pints (pt)	2.113
Liters (l)	Quarts (qt)	1.057
Liters (l)	Gallons (gal)	0.2642

SOLID VOLUME - WEIGHT

To Convert	Into	Multiply by
Ounces (oz)	Grams (g)	28.3495
Pounds (lb)	Kilograms (kg)	0.4536
Grams (g)	Ounces (oz)	0.035
Kilograms (kg)	Pounds (lb)	2.205

PRESSURE

To Convert	Into	Multiply by
Pounds per square inch (psi)	Kilopascals (kPa)	6.895
Pounds per square inch (psi)	bar	0.06895
Kilopascals (kPa)	Pounds per square inch (psi)	0.145
Kilopascals (kPa)	bar	0.01
bar	Pounds per square inch (psi)	14.503
bar	Kilopascals (kPa)	100.00

LENGTH

To Convert	Into	Multiply by
Inches (in)	Millimeters (mm)	25.4
Inches (in)	Centimeters (cm)	2.54
Feet (ft)	Centimeters (cm)	30.48
Yards (yd)	Meters (m)	0.9144
Miles (mi)	Kilometers (km)	1.609
Millimeters (mm)	Inches (in)	0.039
Centimeters (cm)	Inches (in)	0.394
Meters (m)	Yards (yd)	1.0936
Kilometers (km)	Miles (mi)	0.6214

AREA

To Convert	Into	Multiply by
Square inches (sq in)	Square Centimeters (cm ²)	6.452
Square feet (sq ft)	Square Meters (m ²)	0.093
Square Yards (sq yd)	Square Meters (m ²)	0.836
Square Miles (sq mi)	Square Kilometers (km ²)	2.59
Square Centimeters (cm ²)	Square inches (sq in)	0.155
Square Meters (m ²)	Square feet (sq ft)	1.196
Square Kilometers (km ²)	Square Yards (sq yd)	0.386

TIP SIZES

3/4" Tip = 19 mm	1-1/2" Tip = 38 mm
7/8" Tip = 22 mm	1-3/4" Tip = 44 mm
1" Tip = 25 mm	2" Tip = 51 mm
1-1/8" Tip = 29 mm	2-1/4" Tip = 57 mm
1-1/4" Tip = 32 mm	2-1/2" Tip = 64 mm
1-3/8" Tip = 35 mm	3" Tip = 76 mm

HOSE SIZES

1" Hose = 25.4 mm	4" Storz = 100.00 mm
1.5" Hose = 38.1 mm	4" Hose = 101.60 mm
1.75" Hose = 44.5 mm	4.5" Hose = 114.30 mm
2" Hose = 50.8 mm	5" Storz = 125.00 mm
2.5" Hose = 63.5 mm	5" Hose = 127.00 mm
3" Hose = 76.2 mm	6" Storz = 150.00 mm
3.5" Hose = 88.9 mm	6" Hose = 152.40 mm

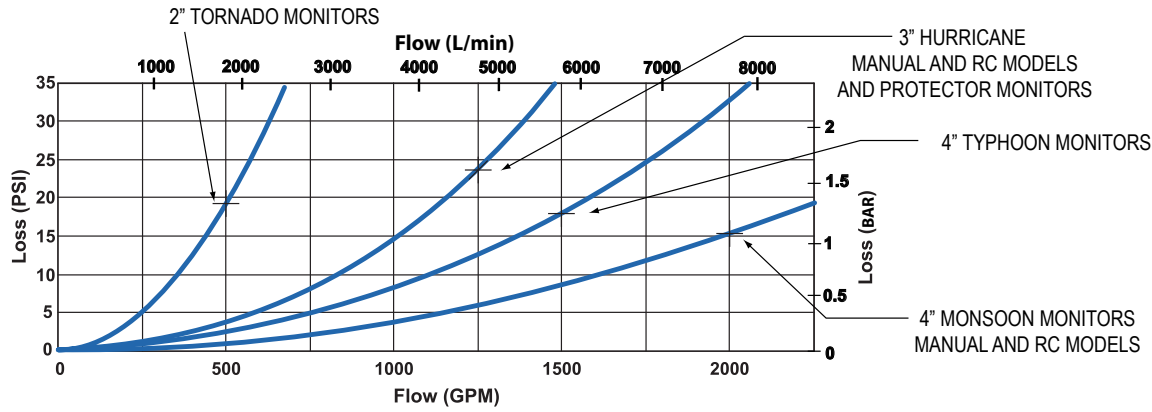
PRESSURES

50 psi = 345 kPa = 3.45 bar	300 psi = 2069 kPa = 20.69 bar
60 psi = 414 kPa = 4.14 bar	350 psi = 2413 kPa = 24.13 bar
70 psi = 488 kPa = 4.88 bar	400 psi = 2758 kPa = 27.58 bar
75 psi = 517 kPa = 5.17 bar	450 psi = 3103 kPa = 31.03 bar
80 psi = 552 kPa = 5.52 bar	500 psi = 3448 kPa = 34.48 bar
90 psi = 621 kPa = 6.21 bar	550 psi = 3792 kPa = 37.92 bar
100 psi = 690 kPa = 6.90 bar	600 psi = 4137 kPa = 41.37 bar
150 psi = 1034 kPa = 10.34 bar	650 psi = 4482 kPa = 44.82 bar
200 psi = 1379 kPa = 13.79 bar	700 psi = 4827 kPa = 48.27 bar
250 psi = 1723 kPa = 17.23 bar	

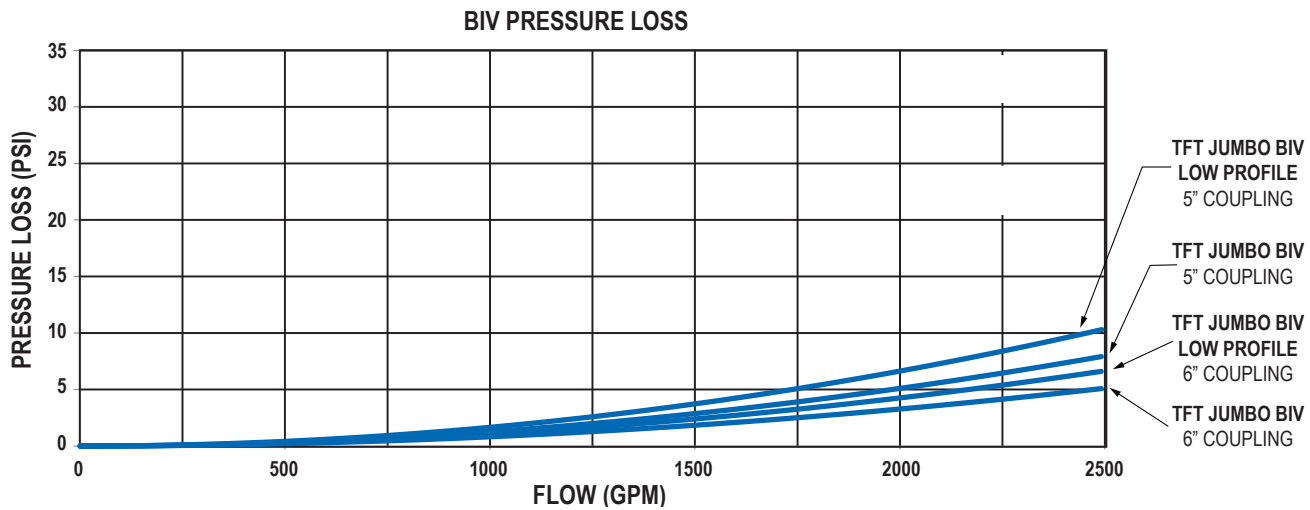
FLOW RATE

12 gpm = 45.42 l/min	= 45 l/min
13 gpm = 49.20 l/min	= 50 l/min
20 gpm = 75.70 l/min	= 75 l/min
23 gpm = 87.06 l/min	= 90 l/min
25 gpm = 94.62 l/min	= 95 l/min
30 gpm = 113.55 l/min	= 115 l/min
40 gpm = 151.40 l/min	= 150 l/min
50 gpm = 189.25 l/min	= 190 l/min
55 gpm = 208.18 l/min	= 210 l/min
60 gpm = 227.10 l/min	= 230 l/min
70 gpm = 264.95 l/min	= 265 l/min
75 gpm = 283.88 l/min	= 285 l/min
85 gpm = 321.73 l/min	= 320 l/min
95 gpm = 359.58 l/min	= 360 l/min
100 gpm = 378.50 l/min	= 380 l/min
120 gpm = 454.20 l/min	= 460 l/min
125 gpm = 473.13 l/min	= 475 l/min
150 gpm = 567.75 l/min	= 550 l/min
175 gpm = 662.38 l/min	= 660 l/min
200 gpm = 757.00 l/min	= 750 l/min
250 gpm = 946.25 l/min	= 950 l/min
300 gpm = 1135.50 l/min	= 1140 l/min
350 gpm = 1324.75 l/min	= 1325 l/min
375 gpm = 1419.38 l/min	= 1420 l/min
400 gpm = 1514.00 l/min	= 1525 l/min
450 gpm = 1703.25 l/min	= 1700 l/min
500 gpm = 1892.50 l/min	= 1900 l/min
700 gpm = 2649.50 l/min	= 2660 l/min
750 gpm = 2838.75 l/min	= 2900 l/min
800 gpm = 3028.00 l/min	= 3030 l/min
1000 gpm = 3785.00 l/min	= 3800 l/min
1200 gpm = 4542.00 l/min	= 4500 l/min
1250 gpm = 4731.25 l/min	= 4800 l/min
1500 gpm = 5677.50 l/min	= 6000 l/min
2000 gpm = 7570.00 l/min	= 7600 l/min

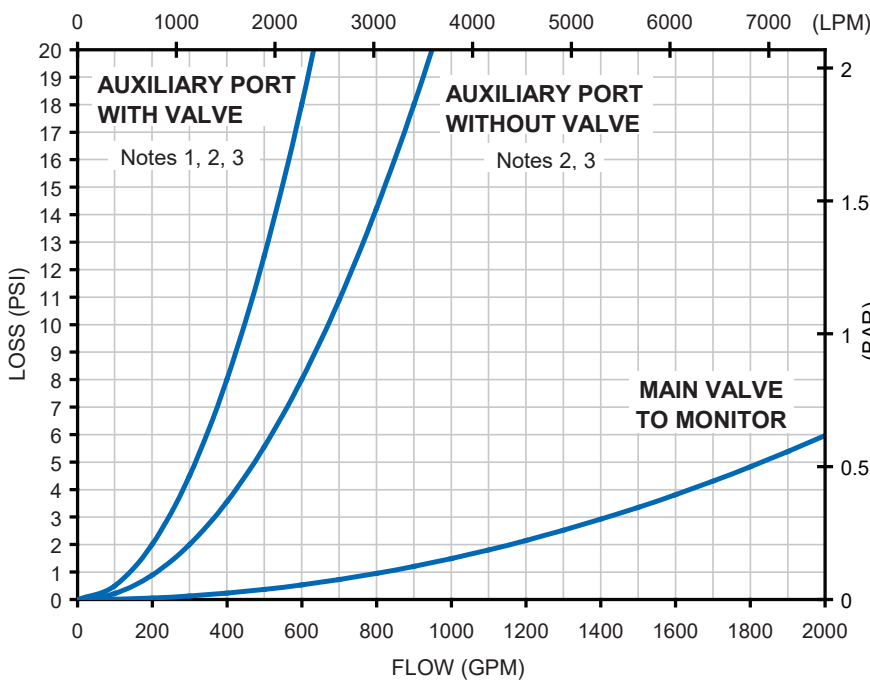
MONITOR PRESSURE LOSS



BIV BALL INTAKE VALVE PRESSURE LOSS



VUM VALVE UNDER MONITOR PRESSURE LOSS



NOTES:

- 1) Curve represents auxiliary port options 2 and 3 (gated elbows). Pressure loss for auxiliary port option 4 (straight hydrant valve) is about 15% less than indicated.
- 2) When valve to monitor is open, pressure loss through auxiliary ports C3 and C4 may be up to 50% greater than indicated. Auxiliary ports C1 and C2 are not affected by this condition.
- 3) Extension pipes (auxiliary port options B through H) do not add significant pressure loss.

ITEM NUMBER INDEX

A			
A01BF	249	A1520-CRK	256
A01BJ	249	A1520-KIT	256
A01HNR	249	A1621-KIT	256, 257
A01HNT	249	A1633-KIT	256
A01HNX	249	A1810	168
A01ID	249	A1811	168
A01IF	249	A1820	168
A01IF-PA	250	A1821	168
A01IJ	249	A1830	168
A01IJ-PA	250	A1831	168
A01ND	249	A1840	168
A01NF	249	A1850	168
A01NF-PA	250	A1860	168
A01NJ	249	A3090	254
A01NJ-IF	250	A3095-25	254
A01NJ-NF	250	A3800	254
A01NJ-PA	250	A3810	254
A01NP	249	A3813	254
A01NR	249	A3815	254
A01NT	249	A3820	254
A01NX	249	A3830	231
A01SP	250	A3831	231
A01SP-PA	250	A3835	254
A01ST	250	A3840	254
A01ST-PA	250	A3842	254
A01SX	250	A3843	254
A02	206	A3845	254
A02HNT	206	A3850	254
A02HNX	206	A4178-KIT	256
A02NJ	206	A4179-KIT	256
A02NP	206	A4215-KIT	256
A02SP	206	A4216-KIT	256
A03HNR-JET-F	207	A4220-KIT	256
A03HNT-JET-F	207	A4221-KIT	256
A03HNX-JET-F	207	A4273	256
A03HNXJETFF	207	A4274	256
A03NP-JET-F	207	AA1HSP-NP	242
A03SP-JET-F	207	AA1HSP-NR	242
A03ST-JET-F	207	AA1HSP-NT	242
A03SX-JET-F	207	AA1HSP-NX	242
A04NP-ST	251	AA1HST-IP	242
A04NR-ST	251	AA1HST-IX	242
A04NR-SX	251	AA1HST-NP	242
A04TT-ST	251	AA1HST-NR	242
A05BJ	250	AA1HST-NT	242
A05IF	250	AA1HST-NX	242
A05IJ	250	AA1HSX-IX	242
A05NF	250	AA1HSX-NP	242
A05NJ	250	AA1HSX-NR	242
A06	206	AA1HSX-NT	242
A06HNT	206	AA1HSX-NX	242
A06HNX	206	AA1SF-IF	241
A06NJ	206	AA1SJ-NJ	241
A06NP	206	AA1SJ-TJ	241
A06SL	206	AA1SL-NJ	241
A06SP	206	AA1SL-NL	241
A06ST	206	AA1SP-BL	241
A1082-CRK	256	AA1SP-BP	241
A1082-KIT	256	AA1SP-BT	241
A1410-KIT	256	AA1SP-IL	241
A1411-KIT	256	AA1SP-IN	241
		AA1SP-IP	241
		AA1SP-NJ	241
		AA1SP-NL	241
		AA1SP-NP	241
		AA1SP-NR	241
		AA1SP-NT	241
		AA1SP-NX	241
		AA1SP-TJ	241
		AA1SP-TL	241
		AA1SP-TP	241
		AA1SP-TT	241
		AA1ST-BJ	241
		AA1ST-BL	241
		AA1ST-BP	241
		AA1ST-BT	241
		AA1ST-IJ	241
		AA1ST-IL	241
		AA1ST-IP	241
		AA1ST-IT	241
		AA1ST-IX	242
		AA1ST-NJ	241
		AA1ST-NL	241
		AA1ST-NP	241
		AA1ST-NR	241
		AA1ST-NT	242
		AA1ST-NX	242
		AA1ST-TL	241
		AA1ST-TP	241
		AA1ST-TT	242
		AA1SX-BT	242
		AA1SX-BX	242
		AA1SX-IX	242
		AA1SX-NJ	242
		AA1SX-NP	242
		AA1SX-NR	242
		AA1SX-NT	242
		AA1SX-NX	242
		AA1SX-TT	242
		AA1SX-TX	242
		AA2SF-IF	243
		AA2SJ-NJ	243
		AA2SJ-NL	243
		AA2SL-NJ	243
		AA2SL-TL	243
		AA2SP-IJ	243
		AA2SP-IL	243
		AA2SP-NJ	243
		AA2SP-NL	243
		AA2SP-NP	243
		AA2SP-NR	243
		AA2SP-NT	243
		AA2SP-NX	243
		AA2SP-TJ	243
		AA2SP-TL	243
		AA2SP-TP	243
		AA2ST-IL	243
		AA2ST-IP	243
		AA2ST-IT	243
		AA2ST-NF	243
		AA2ST-NJ	243
		AA2ST-NL	243
		AA2ST-NP	243
		AA2ST-NR	243
		AA2ST-NT	243
		AA2ST-NX	243
		AA2ST-TJ	243
		AA2ST-TL	243
		AA2ST-TX	243
		AA2SX-NJ	243
		AA2SX-NR	243
		AA2SX-NT	243
		AA2SX-NX	243
		AA2SX-TX	243
		AA3SH-NF	244
		AA3SJ-NJ	244
		AA4SJ-SF	244
		AA4SL-SH	244
		AA4SP-SJ	244
		AA4SP-SL	244
		AA4ST-SL	244
		AA4ST-SP	244
		AA4SX-SP	244
		AA4SX-ST	244
		AA5BD-ND	235
		AA5BD-NF	235
		AA5BF-ND	235
		AA5BF-NF	236
		AA5BJ-BF	236
		AA5BJ-NF	236
		AA5BJ-NJ	236
		AA5BP-BP	237
		AA5GHT-ND	235
		AA5HIX-NT	238
		AA5HNP-NJ	238
		AA5HNP-NP	238
		AA5HNP-NR	238
		AA5HNP-NT	238
		AA5HNP-NX	238
		AA5HNR-NJ	238
		AA5HNR-NP	238
		AA5HNR-NT	238
		AA5HNR-NX	238
		AA5HNT-NR	238
		AA5HNT-NX	238
		AA5HNX-IP	238
		AA5HNX-NJ	238
		AA5HNX-NP	238
		AA5HNX-NR	238
		AA5HNX-NT	238
		AA5HNX-NX	238
		AA5HNX-TX	238
		AA5HTP-NR	238
		AA5ID-GHT	235
		AA5ID-IF	235
		AA5ID-ND	235
		AA5ID-NF	235
		AA5ID-TD	235
		AA5IF-GHT	235
		AA5IF-ID	235
		AA5IF-ND	235
		AA5IF-NF	236
		AA5IF-NJ	236
		AA5IF-TF	236
		AA5IH-IF	236

ITEM NUMBER INDEX

AA5IH-NF.....	236	AA5NX-NX.....	237	AA6TF-TF.....	239	AA11J-NJ.....	238
AA5IH-NJ.....	236	AA5TD-ID.....	235	AA6TH-IF.....	239	AA11NF-NF.....	238
AA5IJ-IF.....	236	AA5TD-IF.....	235	AA6TH-NF.....	239	AA11NF-NJ.....	238
AA5IJ-IX.....	236	AA5TD-ND.....	235	AA6TH-TF.....	239	AA11NF-TF.....	238
AA5IJ-NF.....	236	AA5TD-NF.....	235	AA6TJ-NF.....	239	AA11NF-TH.....	238
AA5IJ-NJ.....	236	AA5TF-IF.....	236	AA6TL-NJ.....	240	AA11NJ-IL.....	238
AA5IJ-TF.....	236	AA5TF-NF.....	236	AA7BF-BF.....	234	AA11NJ-NF.....	238
AA5IL-IX.....	237	AA5TH-IF.....	236	AA7BJ-BJ.....	234	AA11NJ-NJ.....	238
AA5IL-NJ.....	237	AA5TH-NF.....	236	AA7HNP-NP.....	234	AA11NJ-NL.....	238
AA5IL-NP.....	237	AA5TH-NJ.....	236	AA7HNX-IP.....	234	AA11NJ-TJ.....	238
AA5IP-NJ.....	237	AA5TH-TF.....	236	AA7HNX-NP.....	234	AA11NJ-TL.....	238
AA5IP-NP.....	237	AA5TH-TJ.....	236	AA7HNX-NR.....	234	AA11NJ-TP.....	238
AA5IP-NX.....	237	AA5TJ-IF.....	236	AA7HNX-NT.....	234	AA11NX-NX.....	238
AA5IR-NT.....	237	AA5TJ-NF.....	236	AA7HNX-NX.....	234	AA11NX-TX.....	238
AA5ND-BD.....	235	AA5TJ-NJ.....	236	AA7ID-ID.....	234	AA11TJ-NJ.....	238
AA5ND-GHT.....	235	AA5TL-NJ.....	237	AA7IF-IF.....	234	AA12HSP-NP.....	244
AA5ND-ID.....	235	AA5TL-TJ.....	237	AA7IH-NJ.....	234	AA12HSP-NR.....	244
AA5ND-IF.....	235	AA5TP-NJ.....	237	AA7IJ-IF.....	234	AA12HSP-NT.....	244
AA5ND-NF.....	235	AA5TP-NP.....	237	AA7IJ-IJ.....	234	AA12HSP-NX.....	244
AA5NF-BF.....	236	AA5TP-NR.....	237	AA7IL-NJ.....	235	AA12HST-IP.....	244
AA5NF-BJ.....	236	AA5TP-NT.....	237	AA7ND-ND.....	234	AA12HST-NJ.....	244
AA5NF-GHT.....	235	AA5TP-NX.....	237	AA7NF-IF.....	234	AA12HST-NP.....	244
AA5NF-ID.....	235	AA5TT-NR.....	237	AA7NF-NF.....	234	AA12HST-NR.....	244
AA5NF-IF.....	236	AA5TT-NX.....	237	AA7NJ-BJ.....	234	AA12HST-NX.....	244
AA5NF-ND.....	235	AA5TX-NT.....	237	AA7NJ-IF.....	234	AA12SP-NJ.....	244
AA5NF-NJ.....	236	AA6BD-BD.....	239	AA7NJ-IJ.....	234	AA12SP-NP.....	244
AA5NF-TD.....	235	AA6BF-BF.....	239	AA7NJ-NF.....	234	AA12SP-NR.....	244
AA5NF-TF.....	236	AA6BF-IF.....	239	AA7NJ-NJ.....	234	AA12SP-NT.....	244
AA5NJ-BJ.....	236	AA6BF-NF.....	239	AA7NJ-TJ.....	234	AA12SP-NX.....	244
AA5NJ-GHT.....	236	AA6BJ-BJ.....	239	AA7NL-NJ.....	235	AA12ST-NJ.....	244
AA5NJ-IF.....	236	AA6BJ-TJ.....	239	AA7NP-BP.....	235	AA12ST-NP.....	244
AA5NJ-IJ.....	236	AA6ID-ID.....	239	AA7NP-NJ.....	235	AA12ST-NR.....	244
AA5NJ-ND.....	236	AA6IF-IF.....	239	AA7NP-NL.....	235	AA12ST-NT.....	244
AA5NJ-NF.....	236	AA6IF-NF.....	239	AA7NP-NP.....	235	AA12ST-NX.....	244
AA5NJ-NL.....	236	AA6IF-TF.....	239	AA7NP-TP.....	235	ABD3SP-NT.....	228
AA5NJ-NR.....	236	AA6IH-TF.....	239	AA7NR-NP.....	235	ABD3SP-NX.....	228
AA5NJ-TD.....	236	AA6IJ-IJ.....	239	AA7NX-NJ.....	235	ABD3ST-NT.....	228
AA5NJ-TF.....	236	AA6IL-NJ.....	240	AA7NX-NL.....	235	ABD3ST-NX.....	228
AA5NJ-TH.....	236	AA6IX-IX.....	240	AA7NX-NP.....	235	ABD3SX-NT.....	228
AA5NJ-TJ.....	236	AA6ND-BD.....	239	AA7NX-NR.....	235	ABD3SX-NX.....	228
AA5NJ-TL.....	236	AA6ND-ID.....	239	AA7NX-NX.....	235	ABD7NP-NT.....	228
AA5NL-NJ.....	237	AA6ND-ND.....	239	AA7TL-NJ.....	235	ABD7NP-NX.....	228
AA5NL-NX.....	237	AA6NF-NF.....	239	AA7TP-NJ.....	235	ABD7NR-NT.....	228
AA5NN-NJ.....	237	AA6NF-TF.....	239	AA9FL-FP.....	175	ABD7NR-NX.....	228
AA5NP-NJ.....	237	AA6NJ-BJ.....	239	AA9FX-HNX-F.....	253	ABD7NT-NT.....	228
AA5NP-NP.....	237	AA6NJ-IF.....	239	AA9FX-IX.....	253	ABD7NT-NX.....	228
AA5NP-NR.....	237	AA6NJ-IJ.....	239	AA9FX-NX.....	253	ABD7NX-NX.....	228
AA5NP-NT.....	237	AA6NJ-NF.....	239	AA9FX-ST.....	253	ABD8NP-NT.....	228
AA5NP-NX.....	237	AA6NJ-NJ.....	239	AA9FX-SX.....	253	ABD8NP-NX.....	228
AA5NP-TJ.....	237	AA6NJ-TF.....	239	AA9NX-NP.....	179, 181, 183, 185	ABD8NR-NT.....	228
AA5NP-TP.....	237	AA6NJ-TH.....	239	AA9NX-NR.....	179, 181, 183, 185	ABD8NR-NX.....	228
AA5NR-NJ.....	237	AA6NJ-TJ.....	239	AA10IF-TH.....	234	ABD8NT-NT.....	228
AA5NR-NP.....	237	AA6NL-BJ.....	240	AA10NF-TH.....	234	ABD8NT-NX.....	228
AA5NR-NT.....	237	AA6NL-NJ.....	240	AA10NJ-TH.....	234	ABD8NX-NT.....	228
AA5NR-NX.....	237	AA6NP-BP.....	240	AA11BJ-TJ.....	238	ABD8NX-NX.....	228
AA5NR-TP.....	237	AA6NP-NP.....	240	AA11HNX-NT.....	239	A-DISP.....	160
AA5NT-NR.....	237	AA6NP-TP.....	240	AA11HNX-TX.....	239	AH2SP-NJ.....	246
AA5NT-NX.....	237	AA6NR-NR.....	240	AA11IF-NF.....	238	AH2SP-NL.....	246
AA5NX-NJ.....	237	AA6NX-NX.....	240	AA11IF-NJ.....	238	AH2ST-NJ.....	246
AA5NX-NP.....	237	AA6NX-TX.....	240	AA11IF-TF.....	238	AH2ST-NL.....	246
AA5NX-NR.....	237	AA6TD-ID.....	239	AA11IH-NF.....	238	AH2ST-NP.....	246
AA5NX-NT.....	237	AA6TD-ND.....	239	AA11IH-TH.....	238	AH2ST-TP.....	246

ITEM NUMBER INDEX

AH3HSP-NP.....	247	AKM12*****	171	AP*-PS.....	179	AY5HNR-NJ.....	192
AH3HSP-NR.....	247	AKM13.....	171	AP-RC.....	177	AY5HNR-NJ-SC.....	195
AH3HSP-NT.....	247	AKM13*****	171	AQ.....	177, 180, 184	AY5HNT-NJ.....	192
AH3HSP-NX.....	247	AKM111111D.....	171	AQ-PS.....	177	AY5HNX-NJ.....	192
AH3HST-IX.....	247	AKM111113D.....	169	AR.....	204	AY5NJ-NJ.....	192
AH3HST-NP.....	247	AKM121111D.....	171	AR-BRACKET.....	204	AY5NJ-NJ-SC.....	195
AH3HST-NR.....	247	AKM131111D.....	171	ARS.....	204	AY5NP-NJ.....	192
AH3HST-NT.....	247	AKP11.....	172	AS3SP-NX.....	198	AY5NP-NJ-SC.....	195
AH3HST-NX.....	247	AKP11*****	172	AS3ST-NT.....	198	AY7HNX-NJ.....	194
AH3HSX-NX.....	247	AKP12.....	172	AS3ST-NX.....	198	AY7HNX-NJ-SC.....	196
AH3SP-IL.....	247	AKP12*****	172	AS4SP-SP.....	198	AY7NJ-NJ.....	194
AH3SP-IP.....	247	AKP13.....	172	AS4SP-ST.....	198	AY7NJ-NJ-SC.....	196
AH3SP-NJ.....	247	AKP13*****	172	AS4ST-ST.....	198	AY7NP-NJ.....	194
AH3SP-NL.....	247	AKP111111D.....	172	AS4ST-SX.....	198	AY8SP-NJ.....	192
AH3SP-NP.....	247	AKP121111D.....	172	AS4SX-SX.....	198	AY8SP-NJ-SC.....	195
AH3SP-NR.....	247	AKP131111D.....	172	AS9NJ-SP.....	198	AY8ST-NJ.....	192
AH3SP-NT.....	247	AL12P2P0.....	200	AS9NJ-ST.....	198	AY8ST-NJ-SC.....	195
AH3SP-NX.....	247	AL12P2P1.....	200	ATNF-ID.....	190	AY8SX-NJ.....	192
AH3SP-TL.....	247	AL12T2P0.....	200	ATNF-ND.....	190	AY8SX-NJ-SC.....	195
AH3SP-TP.....	247	AL12T2T0.....	200	AU-BRACKET.....	197, 203	AY9SP-NJ.....	194
AH3ST-NJ.....	247	AL12T2T1.....	200	AV5NJ-NJ.....	193	AY9SP-NJ-SC.....	196
AH3ST-NL.....	247	AL12X1X1.....	200	AV5NJ-NJ-SC.....	193	AY9ST-NJ.....	194
AH3ST-NP.....	247	AL12X2X0.....	200	AVG2ENJNJ.....	187	AY9ST-NJ-SC.....	196
AH3ST-NR.....	247	AL12X2X1.....	200	AVGSC2LNJNJ.....	187	AY175-KIT.....	257
AH3ST-NT.....	247	AL15R2T0.....	200	AVGSC2RNJNJ.....	187	AY176-KIT.....	257
AH3ST-NX.....	247	AL15R2T1.....	200	AVGSC2SNJNJ.....	189	AY321-KIT.....	257
AH3ST-TP.....	247	AL22P2P0.....	197	AVGSC3FNJNJ.....	189	AY970-KIT.....	257
AH3ST-TT.....	247	AL22T2P0.....	197	AVGSC3SNJNJ.....	189	AYG-NJ-NF.....	191
AH3ST-TX.....	247	AL22T2T0.....	197	AW3SX-NX.....	199	AYLND-ND.....	190
AH3SX-NT.....	247	AL22X2P0.....	197	AW4SP-SP.....	199	AYLNF-ND.....	190
AH3SX-TX.....	247	AL22X2T0.....	197	AW4ST-ST.....	199	AYLNF-NF.....	190
AH4SP-SP.....	246	AL22X2X0.....	197	AW4ST-SX.....	199	AYNJ-NF.....	191
AH4ST-SP.....	246	AL22X7P0.....	197	AW4SX-SX.....	199	AYSND-ND.....	190
AH4ST-ST.....	246	AL23P7P0.....	197	AW7NP-NP.....	199	AYSNF-ND.....	190
AH5HNX-NX.....	245	AL26P2T0.....	197	AW7NP-NX.....	199	AYSNF-NF.....	190
AH5NJ-NJ.....	245	AL32P0.....	201	AW7NX-NX.....	199	AYSNJ-NF.....	191
AH5NP-NP.....	245	AL32P1.....	201	AW9NP-SP.....	200	AYT-NJ-NF.....	191
AH5NR-NR.....	245	AL32T0.....	201	AW9NP-SX.....	200	AZ.....	177, 180, 184
AH7HNR-NP.....	245	AL32T1.....	201	AX.....	176, 179, 180, 184	AZD.....	182, 186
AH7HNX-NP.....	245	AL32X0.....	201	AX1ST-NX.....	179	AZD-F.....	177
AH7HNX-NR.....	245	AL32X1.....	201	AX1ST-NX-RC.....	183	AZD-T.....	177
AH7NR-NP.....	245	AL42P0.....	202	AX1ST-NX-PS.....	179	AZE.....	182, 186
AJ1SP-NT.....	248	AL42P1.....	202	AX1690-KIT.....	256	AZE-T.....	177
AJ1SP-NX.....	248	AL42T0.....	202	AX1691-KIT.....	256	AZ-PS.....	177
AJ1ST-NT.....	248	AL42T1.....	202	AXD.....	182, 186	B	
AJ1ST-NX.....	248	AL42X0.....	202	AXD1SP-NX-RC.....	185	B880-KIT.....	256
AJ1SX-NX.....	248	AL42X1.....	202	AXD1ST-NX-F.....	181	B950-KIT.....	256
AJ7HNP-NX.....	248	AL72P0.....	201	AXD1ST-NX-RC.....	185	B955-KIT.....	256
AJ7NP-NX.....	248	AL72P1.....	201	AXD1ST-NX-T.....	178	B960-KIT.....	256
AJ8NX-NX.....	249	AL72T0.....	201	AXD7HNX-NX-T.....	181	B-A.....	252
AKE11.....	173	AL72T1.....	201	AXD-RC.....	177	B-BGH.....	43
AKE11*****	173	AL72X0.....	201	AXD-T.....	176	B-BGH-BD.....	43
AKE12.....	173	AL72X1.....	201	AXE.....	182, 186	B-BGT.....	46
AKE12*****	173	AL92P2P3-SC.....	203	AXE1ST-NX-RC.....	185	B-BH.....	43
AKE13.....	174	AL92T2T3-SC.....	203	AXE1ST-NX-T.....	181	B-DUAL.....	56
AKE13*****	174	AL92X2X3-SC.....	203	AXE-F.....	176	B-DUAL-ND.....	56
AKE111111D.....	169, 173	AM-BAND-KIT.....	256	AXE-RC.....	177	BGH-125.....	44
AKE121111.....	173	AN.....	205	AXE-T.....	176	BGH-125-BF.....	44
AKE131111D.....	174	AP.....	176, 179, 180, 184	AX-PS.....	176	BGL-125.....	44
AKM11.....	171	AP1SX-NX.....	179	AX*-PS.....	179	BGT-125.....	46
AKM11*****	171	AP1SX-NX-PS.....	179	AX-RC.....	177	BH-125.....	44
AKM12.....	171	AP-PS.....	176			BH-BGT.....	46

ITEM NUMBER INDEX

BL-BGH.....	43	E		FQ125BCL.....	39	FTS200S.....	40
BL-BGT.....	46	EFF-NFNF125.....	14	FQ125F.....	37	FTS250F.....	41
BL-BH.....	43	EFF-NFNF300.....	14	FQ125LF.....	37	FTS250PF.....	41
BL-TO.....	43	EFJ-NJNJ500.....	14	FQ125LS.....	37	FTS250PS.....	41
BL-TO-ERP.....	107	EFJ-NJNJ1250.....	14	FQ125S.....	37	FTS250S.....	41
BP20-057.....	45	F		FQCS-ELP-BJ.....	39	FTS-EPPSF-BF.....	40
BP20-057T.....	46	F15G200.....	15	FQCS-ENP-BF.....	39	FTS-EWPS-BIC.....	40
BP20-058.....	45	F15G300.....	15	FQCS-EUP-BF.....	39	FTT.....	223
BP20-098T-BF.....	46	F20-KIT.....	256	FQS125BC.....	39	FTT*.....	224
BP20-104.....	45	F95.....	32	FQS125BCL.....	39	G	
BP20-122.....	45	F95BC.....	34	FQS125BCP.....	39	G.....	212, 216
BTFT-DC5.....	56	F100F.....	16	FQS125BCPL.....	39	GD.....	212, 217
BTFT-DC5-ND.....	56	F100FP.....	16	FQS125F.....	37	GDP.....	219
B-TO.....	43	F100-HDL.....	256	FQS125LPF.....	37	GP.....	218
BTO-125.....	44	F100-HRK.....	256	FQS125LPS.....	37	H	
B-TO-ERP.....	107	F100-KIT.....	256	FQS125PF.....	37	H-2TO.....	50
B-TO-ERP-120.....	107	F140F.....	17	FQS125PS.....	37	H-2V.....	50
B-TO-ERP-150.....	107	F140FP.....	17	FQS125S.....	37	H-2VO.....	19
B-TOS-ERP.....	107	F140-HDL.....	256	FQS-ENPS-BF.....	38	H-2VOI.....	19
C		F140-HRK.....	256	FQS-EUPS-BF.....	38	H-2VPGI.....	50
C1024.....	31	F140-KIT.....	256	FQS-EUPS-BIC.....	38	H-2VPP.....	22
C1040.....	31	F140SBI.....	22	FS-2STACK.....	21	H-3VOINJ-NJ.....	19
CC-300.....	11	F675-KIT.....	256	FS-3STACK.....	21	H-3VONJ-NJ.....	19
CC-301.....	11	F675-UPGRADE.....	256	FS-22STACK.....	21	H880-KIT.....	256
CC-305.....	11	F685-KIT.....	256	FS95.....	32	H960-KIT.....	256
CC-600.....	12	F2060.....	32	FS95BC.....	34	H994I-KIT.....	256
CC-601.....	12	F2060BC.....	34	FS95BCP.....	34	H994N-KIT.....	256
CC-605.....	12	F2060BCER.....	109	FS95P.....	32	H-A.....	252
D		F2095.....	32	FS2060.....	32	H-A-NJIF.....	252
D10-KIT.....	256	F2095BC.....	34	FS2060BC.....	34	H-A-SJNF.....	252
D75D.....	16	F2095BCER.....	109	FS2060BCP.....	34	HD-2TO.....	55
D75DP.....	16	FF151.....	21	FS2060P.....	32	HD-2V.....	55
D75-HDL.....	256	FF152.....	21	FS2095.....	32	HD-2VPGI.....	55
D75-HRK.....	256	FF153.....	21	FS2095BC.....	34	HDC-TO.....	53
D75-KIT.....	256	FF154.....	21	FS2095BCP.....	34	HDL-2TO.....	55
D285-KIT.....	256	FF155.....	21	FS2095P.....	32	HDL-2V.....	55
D1024.....	31	FF156.....	21	FSNYSTACK.....	21	HDL-2VPGI.....	55
D1024BC.....	33	FF157.....	21	FSS3.....	20	HDL-TO.....	54
D1040.....	31	FJ-DQ.....	61	FSS4.....	20	HDL-V.....	54
D1040BC.....	33	FJ-GD.....	220	FSS5.....	20	HDL-VPGI.....	54
DQ40.....	35	FJ-H.....	61	FSS6.....	20	HD-TO.....	54
DQ60.....	36	FJ-HM.....	61	FSS7.....	20	HD-V.....	54
DQ-ECF-BD.....	36	FJ-HMX.....	62	FSS8.....	20, 29	HD-VPGI.....	54
DQS40.....	35	FJ-LX-FQ.....	61	FSS9.....	20	HI-RISE-E.....	188
DQS40P.....	35	FJ-LX-G.....	220	FSS10.....	20	HI-RISE-L.....	188
DQS40PS.....	35	FJ-LX-HM.....	61	FSS11.....	20	HI-RISE-R.....	188
DQS60.....	36	FJ-LX-M.....	61	FSS12.....	20	HL-2TO.....	50
DQS60P.....	36	FJ-LX-M3.....	61	FSS13-CAFS.....	53	HL-2V.....	50
DQS60PS.....	36	FJ-LX-U-G.....	220	FSS15075.....	20, 29	HL-2VPGI.....	50
DQS60S.....	36	FJ-MX-D.....	62	FT200F.....	40	HL-TO.....	49
DQS-EKFP-BD.....	36	FJ-MX-DQ.....	62	FT200LF.....	40	H-LUBE-KIT.....	257
DQS-EKFPS-BD.....	36	FJ-MX-F.....	62	FT200S.....	40	H-LUBE-KIT-P.....	257
DS1024.....	31	FJ-MX-FQ.....	62	FT250F.....	41	HL-V.....	49
DS1024BC.....	33	FJ-MX-FT.....	62	FT250S.....	41	HL-VPGI.....	49
DS1024BCP.....	33	FJ-MX-G.....	220	FTG.....	223, 224	HM590-KIT.....	256
DS1024P.....	31	FJ-MX-HM.....	62	FTS200F.....	40	HM592-KIT.....	256
DS1040.....	31	FJ-MX-MD.....	61	FTS200LF.....	40	HM692BLK-KIT.....	257
DS1040BC.....	33	FJP-FT.....	61	FTS200LPF.....	40	HM692BLU-KIT.....	257
DS1040BCP.....	33	FJ-U.....	61	FTS200LPS.....	40	HM692GRN-KIT.....	257
DS1040P.....	31	FJ-UMX.....	62	FTS200PF.....	40	HM692GRY-KIT.....	257
DSB.....	20	FJ-UMX-G.....	220	FTS200PF52MM.....	40	HM692ORG-KIT.....	257
DSS5-ND.....	20	FQ125BC.....	39	FTS200PS.....	40	HM692PNK-KIT.....	257

ITEM NUMBER INDEX

HM692PPL-KIT	257	HPM142A	91	HXD840-KIT	256	ME22TO-***	27
HM692RED-KIT	257	HPM161A	91	HXL840-KIT	256	ME22V-***	27
HM692TAN-KIT	257	HPM191A	91	J		ME22VPGI-***	27
HM692WHT-KIT	257	HPM-A	92	J25G200F	15	M-ERP1000-NJ	112
HM692YEL-KIT	257	HPM-B	93	J25G200S	15	M-ERP1000-NN	112
HM792-KIT	21	HPM-D	93	J25G300F	15	M-ERP1250-NJ	114
HM840-75-KIT	256	HPM-E	93	J25G300S	15	M-ERP1250-NN	114
HM840-KIT	256	HPM-F	92	J140F	18	M-ERP1250SBJ	113
HM880-KIT	256	HPM-G	92	J140FP	18	M-ERP1250SNJ	113
HM925BLK-KIT	257	HPMG-32-NJ	95	J140-HRK	256	M-ERP1500-NJ	115
HM925BLU-KIT	257	HPMG-62-NJ	95	J140J	18	M-ERP1500-NN	115
HM925GRN-KIT	257	HPMG111A	91	J140JP	18	M-ERP2000-NN	116
HM925GRY-KIT	257	HPM-H	92	J140-KIT	256	M-ERS1000-NJ	112
HM925ORG-KIT	257	HPM-J	93	JET-ELBOWKIT	256	MERSP1000-NJ	112
HM925PNK-KIT	257	HPM-K	93	JET-NF-KIT	256	MP-R1250S-BJ	102
HM925PPL-KIT	257	HPM-L	93	JIF-NJ	252	M-R1000-BJ	101
HM925RED-KIT	257	HPM-M	93	JNF-NJ	252	M-R1000-NJ	101
HM925RW-KIT	257	HPM-N	93	JSS10	98	M-R1250-NJ	103
HM925TAN-KIT	257	H-SS	22	JSS11	98	M-R1250-NN	103
HM925WHT-KIT	257	H-SS-NJ	22	JSST10	98	M-R1250S-BJ	102
HM925YEL-KIT	257	H-TO	49	JSST11	98	M-R1250S-NJ	102
HM950-KIT	256	H-V	49	JSSTP-NF	98	M-R1500-NJ	104
HM960-KIT	256	HVIT1-KIT	256	JT250F	42	M-R1500-NN	104
HM9971-KIT	256	HVIT2-KIT	256	JT250S	42	M-R2000-NN	104
HM997N-KIT	256	HVIT3-KIT	256	JTS250F	42	M-RF1000-NJ	101
HMD840-KIT	256	HVIT4-KIT	256	JTS250PF	42	M-RS1000-NJ	101
HMDC-TO	53	HVIT5-KIT	256	JTS250PPF	42	M-RS4000-BJ	101
HMDL-TO	52	HVIT7-KIT	256	JTS250PPS	42	MST-2NJ	98
HMDL-V	52	HVIT8-KIT	256	JTS250PS	42	MST-3BJ-M	98
HMDL-VPGI	52	HVIT11	24	JTS250S	42	MST-3NJ	98
HMDL-VPGIS	52	HVIT12	24	M		MST-4BJ	99
HMDL-VS	52	HVIT13	24	MC12A	97	MST-4NJ	99
HMD-TO	52	HVIT14	24	MC22A	97	MST-4NN	99
HMD-TO-ERP	108	HVIT15	24	MC-ER-12A	111	MST-5NJ	98
HMD-TOS	52	HVIT16	24	MC-ER-22A	111	MT-A4ER-FX	118
HMD-V	52	HVIT18	24	MC-ERP-12A	111	MT-A4ERP-QC	118
HMD-VPGI	52	HVIT24	24	MC-ERP-22A	111	MT-S3ERP-QC	118
HMD-VPGIS	52	HVIT25	24	MD12A	96	P	
HMD-VS	52	HVIT26	24	MD14A	96	P116-KIT	256
HML-TO	48	HVIT27	24	MD17A	96	P690-KIT	256
HML-V	48	HVITG11	24	MD18A	96	P920-KIT	256
HML-VPGI	48	HVITG12	24	MD22A	96	PA1	229
HML-VPGIS	48	HVITG13	24	MD28A	96	PA1-52MM	229
HML-VS	48	HVITG14	24	MD-ER12A	110	PA1-CSF	229
HM-TO	48	HVITG15	24	MD-ER18A	110	PA2	230
HM-TO-ERP	108	HVITG16	24	MD-ERP12A	110	PA11	229, 230
HM-TOS	48	HVITG18	24	MD-ERP18A	110	PA12	229, 230
HM-V	48	HVITG24	24	MD-ERP28A	110	PA14	229, 230
HM-VPGI	48	HVITG25	24	MDP22A	96	PA15	229, 230
HM-VPGI-BIC	48	HVITG26	24	ME0-KIT	257	PA16	229, 230
HM-VPGIS	48	HVITG27	24	ME1TO-***	25	PA18	230
HM-VS	48	H-VO	17	ME1-TO-KIT	257	PA20	229, 230
HPM-32-BICJ	95	H-VOI	17	ME1TOS-***	25	PA21	230
HPM-32-BJ	95	H-VPGI	49	ME1V-***	25	PA22	229, 230
HPM-32-NJ	95	HX-55-KIT	256	ME1-V-KIT	257	PA25	230
HPM-32-SJ1	95	HX-75-KIT	256	ME1VPGI-***	25	PA26	230
HPM-32-SJ2	95	HX-100-KIT	256	ME1VPGIS-***	25	PRV-G-KIT	256
HPM-32-SL	95	HX840-75-KIT	256	ME1VS-***	25	PRV-KIT	256
HPM-62-BJ	95	HX840-KIT	256	ME2-KIT	257		
HPM-62-NJ	95	HX950-KIT	256	ME2TO-***	27		
HPM111A	91	HXD-100-KIT	256	ME2V-***	27		
HPM132A	91	HXD830-KIT	256	ME2VPGI-***	27		

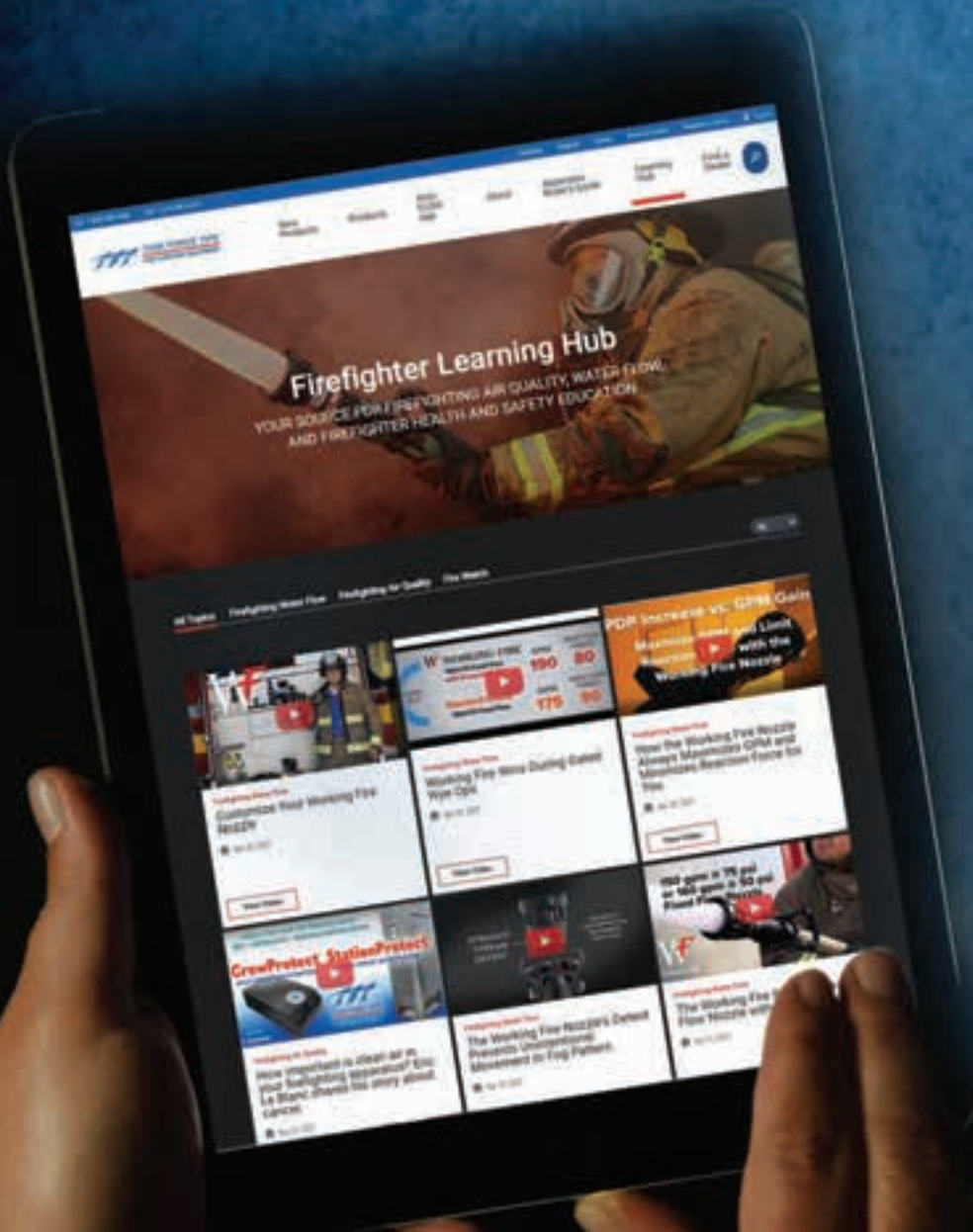
ITEM NUMBER INDEX

Q		UE960-KIT.....	257	XFC-12-1SP.....	85	XFH-1NR.....	81
QF150.....	35	UE-1000-BJ.....	60	XFC-12-1ST.....	85	XFH-1SP.....	81
QF150-BH.....	35	UE-1500-BJ.....	60	XFC-12-2BICJ.....	85	XFH-1ST.....	81
QF150-GFR.....	35	UEM-225-BFBF.....	58	XFC-12-2BJ.....	85	XFH-1SX.....	81
QF150-HP.....	35	UEM-225-BICJ.....	58	XFC-12-2NJ.....	85	XFH-2BIC.....	81
QF235-BH.....	36	UEM-450-BICJ.....	58	XFC-12NB-2NJ.....	86	XFH-2BJ.....	81
QF235-HP.....	36	UEP-225-BHBH.....	58	XFC-32-1ST2.....	86	XFH-2NJ.....	81
QF400.....	38	UEP-450-BHBH.....	58	XFC-32-2BJ2.....	86	XFIE-FLNJ.....	130
QF500.....	38	UEP-450-BBJ.....	58	XFC-32-2BJ3.....	86	XFIE-FPNJ.....	130
QF1000.....	42	U-FN-TG.....	10	XFC-32-2NJ1.....	86	XFI-FLNJ.....	130
QF1000-PA.....	42	U-HS.....	225	XFC-32-2NJ2.....	86	XFIF-PLNJ.....	130
S		U-HS6.....	225	XFC-32-2PBJ2.....	86	XFI-FPNJ.....	130
SHO-FLOW APP.....	13	U-HS12.....	225	XFC-32-2SL2.....	86	XFIH-E11A.....	135
SPAN1.....	255	U-HS12-D.....	10	XFC-42-1SP-L.....	86	XFIH-E12A.....	135
SPAN1-202.....	255	U-HS25.....	225	XFC-42-1SP-S.....	86	XFIH-E21A.....	135
SPAN1-NB.....	255	U-LX12.....	225	XFC-42-1ST-L.....	87	XFIH-E22A.....	135
SPAN25.....	255	UM12.....	225	XFC-42-1ST-S.....	87	XFIH-E61A.....	135
SVFG.....	23	UM12-D.....	10	XFC-42-2NJ-L.....	87	XFIH-EL1A.....	135
SVFG-NJ.....	23	UM12-NF.....	225	XFC-42-2NJ-S.....	87	XFIH-EL2A.....	135
SVFT.....	23	UM12-NF-D.....	10	XFC-52-1NL3L.....	87	XFIH-EP1A.....	135
SVFV.....	23	UM45-25MM.....	225	XFC-52-1NL3S.....	87	XFIH-EP2A.....	135
SVFV-NJ.....	23	UM45-BD.....	225	XFC-52-1SP1L.....	87	XFI-PLNJ.....	130
SVJE-NJNJ.....	117	UM45-BD-D.....	10	XFC-52-1SP1S.....	87	XF-SS5.....	100
SVJE-NNNJ.....	117	UM45-BIC-D.....	10	XFC-52-1SP2L.....	87	XF-SS5-BJ.....	100
SVJ-NJNJ.....	98	UM45-SH.....	225	XFC-52-1SP2S.....	87	XF-SS5-NN.....	100
SVJ-NNNJ.....	98	UM45-SH-D.....	10	XFC-52-1ST1L.....	88	XF-SS10.....	100
SVNE-NNNN.....	117	UMG45-BD-D.....	10	XFC-52-1ST1S.....	88	XF-SS10-NN.....	100
SVN-NNNN.....	98	UMP45-BD.....	225	XFC-52-1ST2L.....	88	XFT-BJ.....	81
SVXE.....	118	UMP45-SH.....	225	XFC-52-1ST2S.....	88	XFT-NJ.....	81
T		UMP45-SH-D.....	10	XFC-52-2NJ1L.....	88	XG12PL-PL.....	165
TETHER01-KIT.....	257	UMS45-BD.....	225	XFC-52-2NJ1S.....	88	XG12PL-XL.....	165
THA401-ST.....	256	UMS45-BD-D.....	10	XFC-52-2NJ2L.....	88	XG12VL-PL.....	165
THA406-KIT.....	256	UMS45-NF.....	225	XFC-52-2NJ2S.....	88	XG12VL-XL.....	165
TN691BLK-KIT.....	257	U-MX12.....	225	XFC-52-2NJ3L.....	88	XG18PL-PL.....	165
TN691GRN-KIT.....	257	UPG-45-BD.....	225	XFC-52-2NJ3S.....	88	XG18PL-XL.....	165
TN691GRY-KIT.....	257	UPI-45-BD.....	225	XFC-322BICJ2.....	89	XG18VL-PL.....	165
TN691ORG-KIT.....	257	U-SS12.....	225	XFC-322BICJ3.....	89	XG18VL-XL.....	165
TN691PNK-KIT.....	257	V		XFCV821ST1L.....	89	XG18XL-XL.....	84
TN691PPL-KIT.....	257	VSA-101.....	257	XFCV821ST1S.....	89	XG840-KIT.....	256
TN691RED-KIT.....	257	VSA-110.....	257	XFCV821ST2L.....	89	XGA32VL-RL.....	166
TN691TAN-KIT.....	257	VSA-112.....	257	XFCV821ST2S.....	89	XGA38PL-RL.....	166
TN691YEL-KIT.....	257	W		XFCV822NJ1L.....	89	XGA38VL-RL.....	166
U		WF1GF-173.....	30	XFCV822NJ1S.....	89	XGA42VP-RP.....	167
U230-KIT.....	257	WF1GF-226.....	30	XFCV822NJ2L.....	90	XGA48VP-RP.....	167
U232-KIT.....	257	WF1GFS-173.....	30	XFCV822NJ2S.....	90	XGA840-KIT.....	256
U-B.....	225	WF1GFS-226.....	30	XFCV831ST1L.....	90	XGA841-KIT.....	256
U-B-D.....	10	WF1TF-173.....	30	XFCV831ST1S.....	90	XGA-RP.....	157, 166, 167
UE-060-NF.....	58	WF1TF-226.....	30	XFCV831ST2L.....	90	XGB-13.....	163, 165, 166
UE-060-NF-01.....	58	WF1TFS-173.....	30	XFCV831ST2S.....	90	XGB-23.....	163, 165, 166
UE-060-NJ-NF.....	58	WF1TFS-226.....	30	XFCV832NJ1L.....	90	XGB-33.....	163, 165, 166
UE-095-NF.....	58	WF1VF-173.....	30	XFCV832NJ1S.....	90	XGB-43.....	167
UE-095-NF-01.....	58	WF1VF-226.....	30	XFCV832NJ2L.....	90	XGB-53.....	167
UE-095-NF-03.....	58	WF1VFS-173.....	30	XFCV832NJ2S.....	90	XGC38VL-PL.....	163
UE-095-NJ-NF.....	58	WF1VFS-226.....	30	XFF-APL.....	84	XGC38VL-RL.....	163
UE-125-BF.....	58	WT5NJ-NJ-NF.....	193	XFF-CPL.....	84	XGC38VL-XL.....	163
UE-125-NF.....	58	X		XFF-MPL.....	84	XGE690-KIT.....	256
UE-125-NF-01.....	58	X170-KIT.....	257	XFF-MPP.....	84	XGE695-KIT.....	256
UE-125-NJ-NF.....	58	X455-KIT.....	257	XFF-RLF.....	84	XIC-V831-L.....	134
UE-250L-NJ.....	60	X960-KIT.....	257	XFH**.....	81	XIC-V831-S.....	134
UE-250-NJ.....	60	XF400-KIT.....	257	XFH-1NL.....	81	XIC-V832-L.....	134
UE-350L-NJ.....	60	XF-B.....	81	XFH-1NN.....	81	XIC-V832-S.....	134
UE-350-NJ.....	60	XFC-12-1NP.....	85	XFH-1NP.....	81	XX111A.....	67

ITEM NUMBER INDEX

XX111A-HE.....	73	XXC-52-NH3.....	69	Y4-M31A.....	149	ZAAD3.....	175
XX132A.....	67	XXC53HENBNH1.....	79	Y4-M65A.....	143	ZAAZ3.....	175
XX132A-HE.....	73	XXC-53-HENH1.....	80	Y4-ML5A.....	143	ZAS**.....	175
XX161A-HE.....	73	XXC53-NBNH1.....	72	Y4-MP1A-P-01.....	149	ZASD3.....	175
XX211A.....	70	XXC-53-NH1.....	72	Y4-MP5A-Z.....	143	ZASZ3.....	175
XX211A-HE.....	77	XXC-53-NH2.....	72	Y4-MX1A-Z.....	149	ZASZX.....	175
XX232A.....	70	XXLC-33-BJ1.....	227	Y4-T11A-Z.....	149	ZM111.....	106
XX232A-HE.....	77	XXLC-33-CN1.....	227	Y4-T15A-Z.....	143	ZM121.....	106
XX241A.....	70	XXLC-33-NH1.....	227	Y4-T21A-Z.....	149	ZM131.....	106
XX241A-HE.....	77	XXLC-43-NH1.....	227	Y4-T25A-Z.....	143	ZM141.....	106
XX261A-HE.....	77	XXLC-53-BJ1.....	227	Y4-T65A-Z.....	143	ZM191.....	106
XX271A-HE.....	77	XXLC-53-NH1.....	227	Y4-TP5A-Z.....	143	ZMF10A.....	63
XX482-KIT.....	257	XXLG-32-CN1.....	226	Y5-E11A.....	140	ZMF11A.....	63
XX830-KIT.....	257	XXLG-32-CN2.....	226	Y5-E21A.....	140	ZMF12A.....	63
XX910-KIT.....	257	XXLG-32-CN3.....	226	Y5-E21A-L.....	141	ZMF13A.....	63
XX-B.....	67, 70, 73, 77	XXLG-32-NH1.....	226	Y5-EA1A-L.....	141	ZMF14.....	64
XXB111A.....	65	XXLG-42-NH1.....	226	Y5-EB1A-L.....	141	ZMF15.....	64
XXB132A.....	65	XXLG-52-BJ1.....	226	Y5-EB1A-L302.....	141	ZMF16.....	64
XXB-B.....	65	XX-STRAP-KIT.....	257	Y5-EL1A.....	140	ZMF17.....	64
XXBC-32-BJ1.....	66	Y		Y5-EP1A.....	140	ZN10A.....	105
XXBC-32-NH1.....	66	Y1-E.....	119	Y5-EP1A-L.....	141	ZN11A.....	105
XXBC-42-NH1.....	66	Y1-E31A.....	119	Y8-E11A.....	154	ZN12A.....	105
XXC-32-BJ1.....	69	Y2-E.....	121	Y35-D11A.....	137	ZN13A.....	105
XXC-32-HEBJ1.....	75	Y2-E01A-S.....	124	Y35-D12A.....	137	ZN14A.....	105
XXC32HENBBJ1.....	75	Y2-E02A-S.....	124	Y35-D14A.....	137	ZN22A.....	105
XXC32HENBBJ2.....	75	Y2-E03A-S.....	124	Y35-D15A.....	137	ZN23A.....	105
XXC32HENBNH1.....	75	Y2-E04A-S.....	124	Y35-D21A.....	137	ZN43A.....	105
XXC-32-HENH1.....	75	Y2-E11A.....	121	Y35-D22A.....	137	ZO12.....	106
XXC-32-HESL1.....	75	Y2-EG4A-S.....	124	Y35-D24A.....	137	ZO14.....	106
XXC-32-HESL2.....	75	Y4-E15A.....	146	Y35-D25A.....	137		
XXC-32NB-BJ1.....	69	Y4-E15A-P-01.....	147	YE-1F2M.....	158		
XXC-32NB-NH1.....	69	Y4-E21A.....	151	YE-1F3M.....	158		
XXC-32-NH1.....	69	Y4-E21A-L.....	152	YE-BT1.....	157		
XXC-32-NH3.....	69	Y4-E21A-L-01.....	152	YE-CAB-6.....	158		
XXC-33-BICJ.....	72	Y4-E21A-L-02.....	152	YE-CAN2.....	157		
XXC-33-BJ1.....	72	Y4-E21A-P-01.....	152	YE-LK12-KIT.....	160		
XXC-33HEBICJ.....	79	Y4-E25A.....	146	YE-PWR-COND.....	158		
XXC-33-HEBJ1.....	79	Y4-E31A.....	151	YE-RECEP-4.....	159		
XXC-33-HECSF.....	79	Y4-E65A.....	146	YE-REMAUX.....	160		
XXC33HENBBJ1.....	79	Y4E-COMM.....	160	YE-RF-900.....	157		
XXC33HENBNH1.....	79	Y4E-CT-30.....	156	YE-RF-900-D.....	157		
XXC-33-HENH1.....	79	Y4E-CT-30-D.....	156	YE-RF-2400.....	157		
XXC-33-HESL1.....	79	Y4E-CT-100-D.....	156	YE-RF-2400-D.....	157		
XXC-33NB-BJ.....	72	Y4E-DISP.....	160	YE-RF-RAD-9.....	157		
XXC-33NB-NH1.....	72	Y4E-JS-51.....	159	YE-RF-RAD-24.....	157		
XXC-33-NH1.....	72	Y4E-JS-52.....	159	YE-VKG-PF.....	162		
XXC-42-BJ1.....	69	Y4E-JS-GT.....	159	YE-VKG-PH.....	162		
XXC42HENBNH1.....	75	Y4E-JS-GT-R.....	159	YE-VKG-PL.....	162		
XXC-42-HENH1.....	75	Y4-EL1A.....	151	YE-VK-PF.....	161		
XXC-42-NBNH1.....	69	Y4-EL5A.....	146	YE-VK-PH.....	161		
XXC-42-NH1.....	69	Y4-EP1A.....	151	YE-VK-PJ.....	161		
XXC-43-HEBJ1.....	79	Y4-EP1A-P-01.....	152	YE-VK-PL.....	161		
XXC43HENBNH1.....	79	Y4-EP1A-P-05.....	152	YST-1NN.....	99		
XXC-43-HENH1.....	80	Y4-EP5A.....	146	YST-3NN.....	99		
XXC-43-NH1.....	72	Y4E-RP.....	156	YST-4NN.....	99		
XXC-52-HEBJ1.....	76	Y4E-RP-D.....	156	YST-8NX.....	118		
XXC52HENBNH1.....	75	Y4E-TS.....	160	Z			
XXC-52-HENH1.....	76	Y4-M15A.....	143	Z11.....	127		
XXC-52-HENH2.....	76	Y4-M21A.....	149	Z12.....	127		
XXC52-NB-NH1.....	69	Y4-M21A-P-01.....	149	Z1111A.....	127		
XXC-52-NH1.....	69	Y4-M21A-Z.....	149	Z1211A.....	127		
XXC-52-NH2.....	69	Y4-M25A-Z.....	143	ZAA**.....	175		

TFT ALL ACCESS



TFT Online Learning Hub

Your Source for Articles, Technical Papers and Videos regarding Firefighter Air Quality, Water Flow, and Firefighting Health and Safety Education

TFT.com

Where You'll Find Everything You Need

- Learning Hub
- Interactive Web Catalog
- Enhanced Search Features
- Online Technical Library
- 24 Hour Customer Service
- TFT Dealer Locator

Learning Hub

Your Source for Firefighter Air Quality, Water Flow, and Firefighting Health and Safety Education



Unmatched Support

Access Comprehensive Product Information Simply By Entering Your Unique TFT Product Serial Number



Join The Conversation

Search: Task Force Tips



#TFTPROUD

TFT REACH



Health and Safety

Apparatus Clean Air Filtration Solution
Station Clean Air Filtration Solution

Wildland Fire

Fixed and Remote Control Monitors
Fixed and Remote Control Nozzles
Nozzles Handheld
Valves, Wyes and Tees
Foam Equipment and CAFS Nozzles
Tools and Accessories

Handheld Nozzles

Fixed, Selectable and Automatic
Standard, Low and Dual Pressure
Smooth Bores and Ball Valves
Pressure Gauges and Flow Indicators
Specialty Nozzles & Accessories

Industrial Fire

Fixed Station and Portable Monitors
Master Stream Nozzles
Self Educating Foam Nozzles & Attachments
LDH Hardware, Manifolds, Intake and
Discharge Valves
Hazardous Location Monitors

Fire Apparatus Equipment

Fixed and Remote Control Monitors
and Nozzles
Intake Valves, Adapters, Elbows and Fittings
Monitor Manifolds
Tools and Accessories

Water Supply

Intake Valves
Jumbo Wyes, Siamese and Gated Manifolds
Hydrant Assist Valves
Gated Wyes and Water Thiefs
Suction Hose Strainers

Foam Equipment

Green Foam Solutions
Foam Nozzles and Attachments
Eductors
Self-Educting Nozzles
Foam Injection and Application Systems