

## 1501 RF Connector

RFC2008-2



### SMA to SMA Adaptor 18 GHz

Frequency	0 to 18 GHz
VSWR	1.15 max.
Durability	2000 Cycles min.
Impedance	50 Ohms
Operating Temperature	-55°C to +165°C
Body	SUS303, Passivated
Center Conductor	Beryllium Copper Gold Plated
Dielectric	PTFE
Nut	SUS303, Passivated

#### ORDERING OPTIONS

SMA Connector	SMA Connector	Part No.
Male	Male	RFC2008-2-1
Female	Female	RFC2008-2-2
Male	Female	RFC2008-2-3

**Order notes to our customers:** The default parameters are as follows. For special needs, please contact sales.

**1) Connector FC/APC, 900 um, 1 m by default for all devices except for high power devices.**

**2) Slow axis working, fast axis blocked, connector key is aligned to slow axis by default for PM devices.**

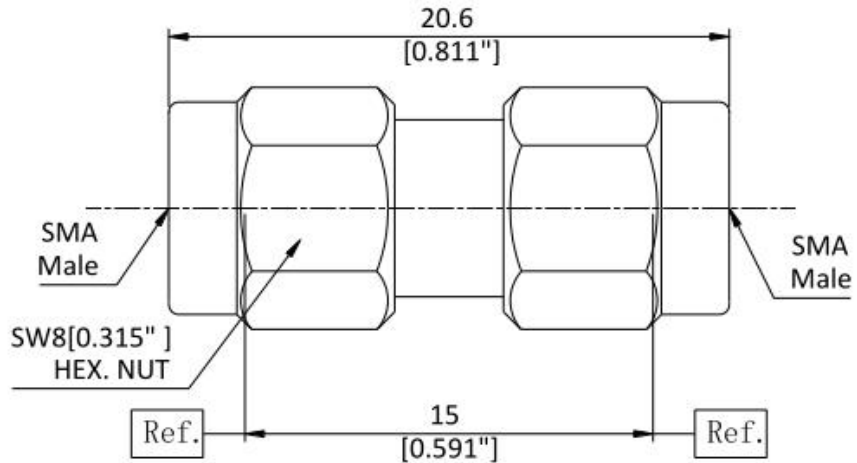
# 1501 RF Connector

RFC2008-2

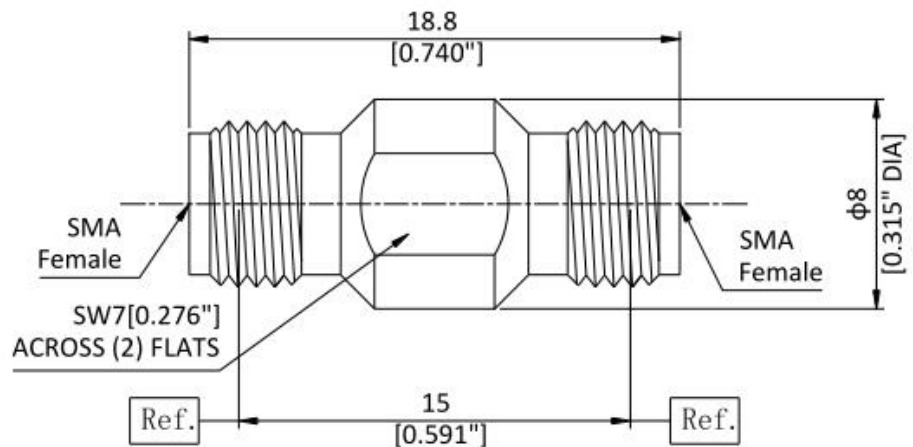
MECHANICAL DRAWING

Unit : mm [inch]

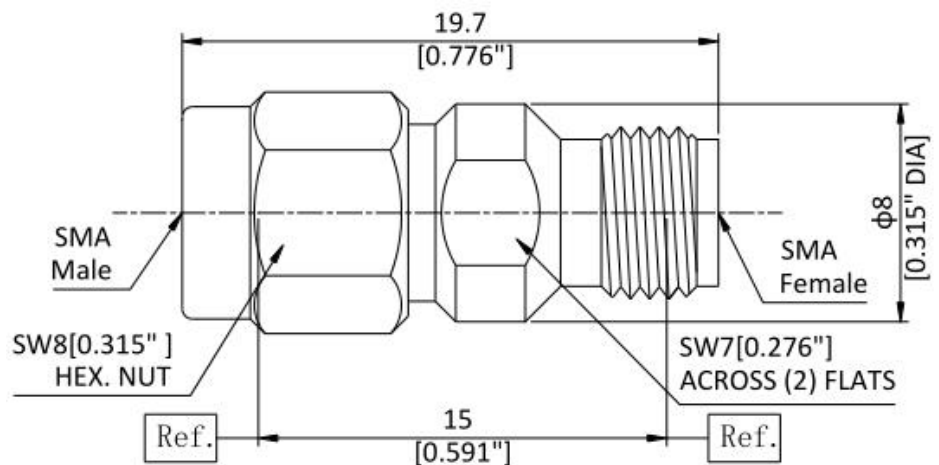
RFC2008-2-1



RFC2008-2-2



RFC2008-2-3



**Order notes to our customers:** The default parameters are as follows. For special needs, please contact sales.  
 1) Connector FC/APC, 900 um, 1 m by default for all devices except for high power devices.  
 2) Slow axis working, fast axis blocked, connector key is aligned to slow axis by default for PM devices.