

# 1501 RF Connector

RFC2007-1



## GPO (SMP) to SMA Adaptor 26.5 GHz

Frequency	0 to 26.5 GHz
VSWR	1.20 max.
Durability	2000 Cycles min.
Impedance	50 Ohms
Operating Temperature	-55°C to +165°C
Body	Female: Beryllium Copper Gold Plated Others: SUS303, Passivated
Center Conductor	Beryllium Copper Gold Plated
Dielectric	PEI & PTFE
Nut	SUS303, Passivated

### ORDERING OPTIONS

GPO Connector	SMA Connector	Part No.
Male	Male	RFC2007-1-1
Female	Female	RFC2007-1-2
Male	Female	RFC2007-1-3
Female	Male	RFC2007-1-4

**Order notes to our customers:** The default parameters are as follows. For special needs, please contact sales.

**1) Connector FC/APC, 900 um, 1 m by default for all devices except for high power devices.**

**2) Slow axis working, fast axis blocked, connector key is aligned to slow axis by default for PM devices.**

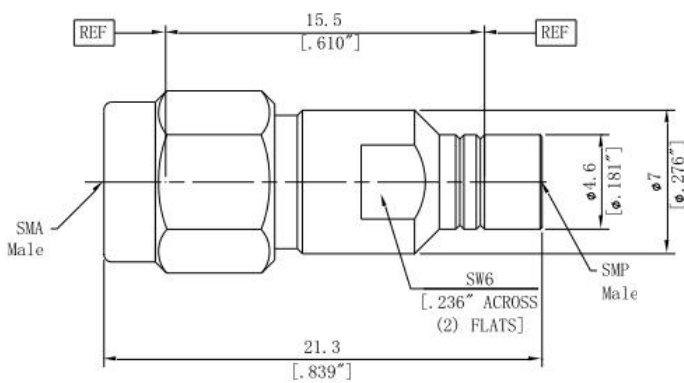
# 1501 RF Connector

RFC2007-1

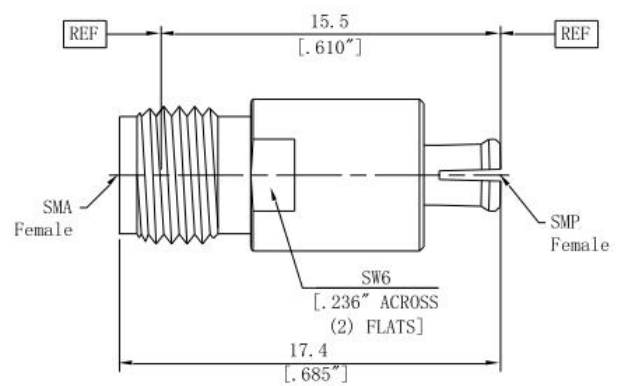
MECHANICAL DRAWING

Unit : mm [inch]

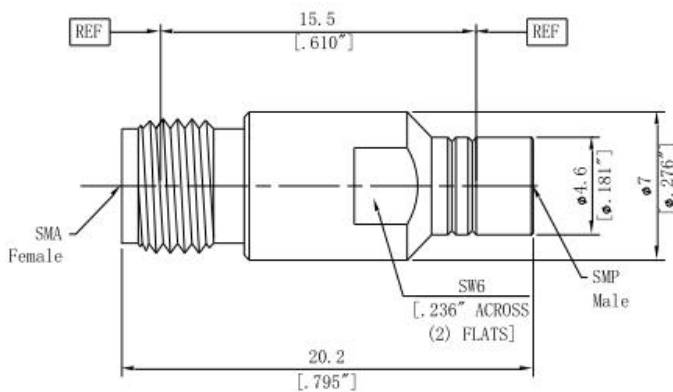
RFC2007-1-1



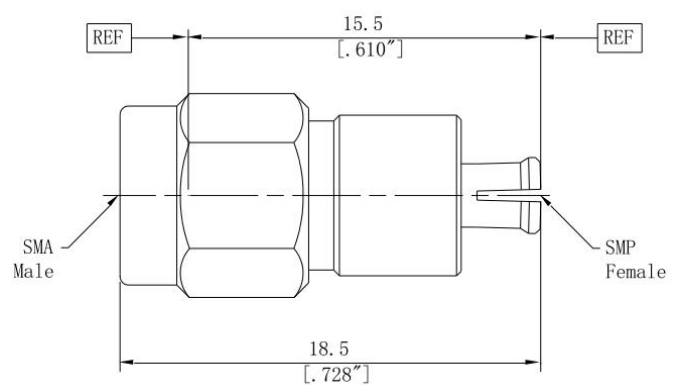
RFC2007-1-2



RFC2007-1-3



RFC2007-1-4



**Order notes to our customers:** The default parameters are as follows. For special needs, please contact sales.  
**1) Connector FC/APC, 900 um, 1 m by default for all devices except for high power devices.**  
**2) Slow axis working, fast axis blocked, connector key is aligned to slow axis by default for PM devices.**