

1501 RF Connector

RFC2005-4



2.4 mm to SMA Adaptor 26.5 GHz

Frequency	0 to 26.5 GHz
VSWR	1.15 max.
Durability	2000 Cycles min.
Impedance	50 Ohms
Operating Temperature	-55°C to +165°C
Body	SUS303, Passivated
Center Conductor	Beryllium Copper Gold Plated
Dielectric	PEI & PTFE
Nut	SUS303, Passivated

ORDERING OPTIONS

2.4 mm Connector	SMA Connector	Part No.
Male	Male	RFC2005-4-1
Female	Female	RFC2005-4-2
Male	Female	RFC2005-4-3
Female	Male	RFC2005-4-4

Order notes to our customers: The default parameters are as follows. For special needs, please contact sales.

1) Connector FC/APC, 900 um, 1 m by default for all devices except for high power devices.

2) Slow axis working, fast axis blocked, connector key is aligned to slow axis by default for PM devices.

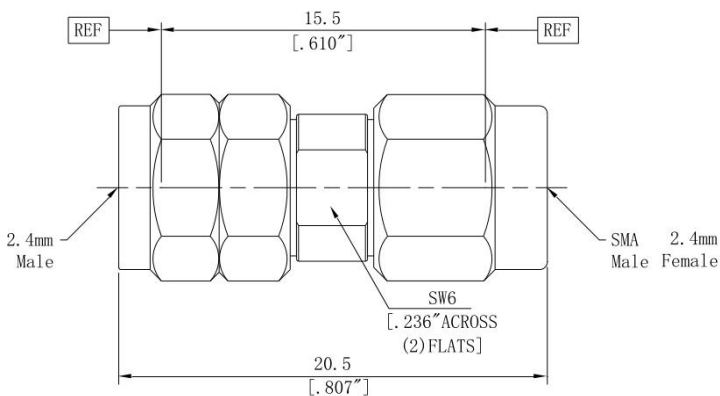
1501 RF Connector

RFC2005-4

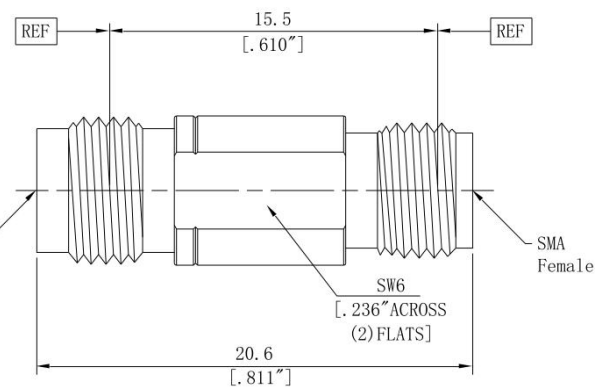
MECHANICAL DRAWING

Unit : mm [inch]

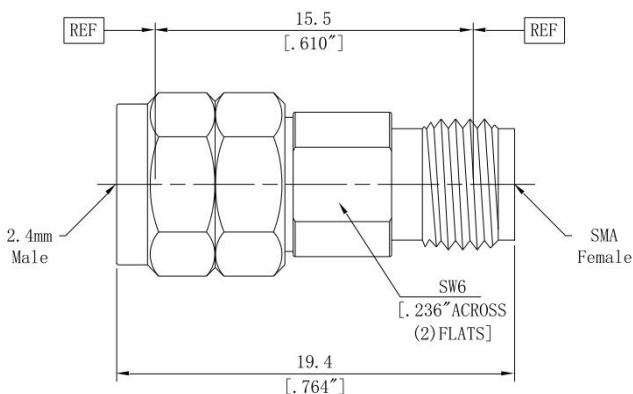
RFC2005-4-1



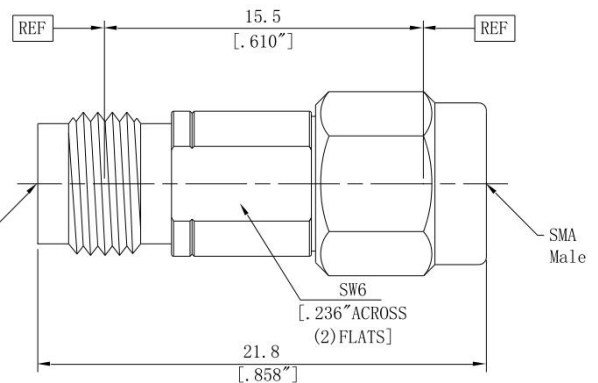
RFC2005-4-2



RFC2005-4-3



RFC2005-4-4



Order notes to our customers: The default parameters are as follows. For special needs, please contact sales.
1) Connector FC/APC, 900 um, 1 m by default for all devices except for high power devices.
2) Slow axis working, fast axis blocked, connector key is aligned to slow axis by default for PM devices.