

1501 RF Connector

RFC2003-1



V (1.85 mm) to V (1.85 mm) Adaptor 65 GHz

Frequency	0 to 65 GHz
VSWR	1.25 max.
Durability	2000 Cycles min.
Impedance	50 Ohms
Operating Temperature	-55°C to +165°C
Body & Nut	SUS303, Passivated
Center Conductor	Beryllium Copper Gold Plated
Dielectric	PEI

ORDERING OPTIONS

V Connector	V Connector	Part No.
Male	Male	RFC2003-1-1
Female	Female	RFC2003-1-2
Male	Female	RFC2003-1-3

Order notes to our customers: The default parameters are as follows. For special needs, please contact sales.
1) Connector FC/APC, 900 um, 1 m by default for all devices except for high power devices.
2) Slow axis working, fast axis blocked, connector key is aligned to slow axis by default for PM devices.

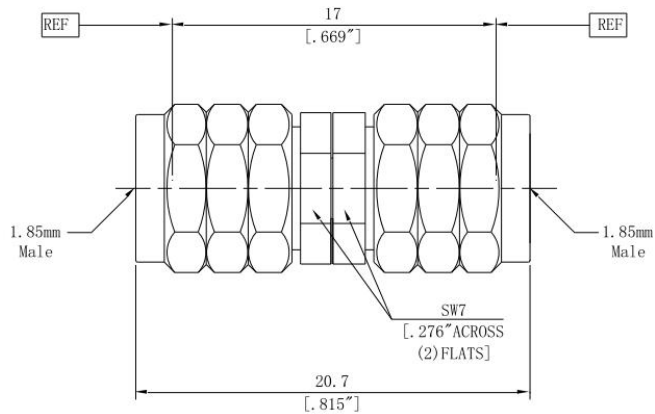
1501 RF Connector

RFC2003-1

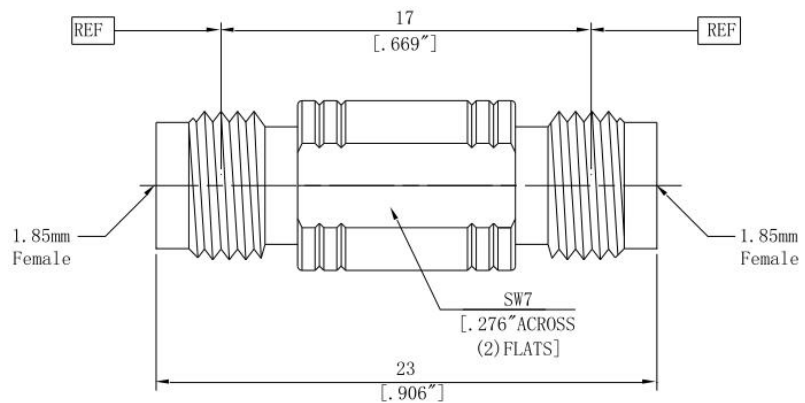
MECHANICAL DRAWING

Unit : mm [inch]

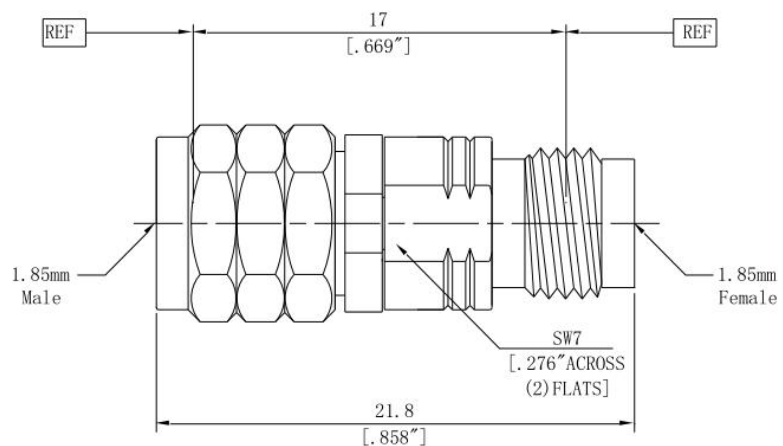
RFC2003-1-1



RFC2003-1-2



RFC2003-1-3



Order notes to our customers: The default parameters are as follows. For special needs, please contact sales.

- 1) Connector FC/APC, 900 um, 1 m by default for all devices except for high power devices.
- 2) Slow axis working, fast axis blocked, connector key is aligned to slow axis by default for PM devices.