

1501 RF Connector



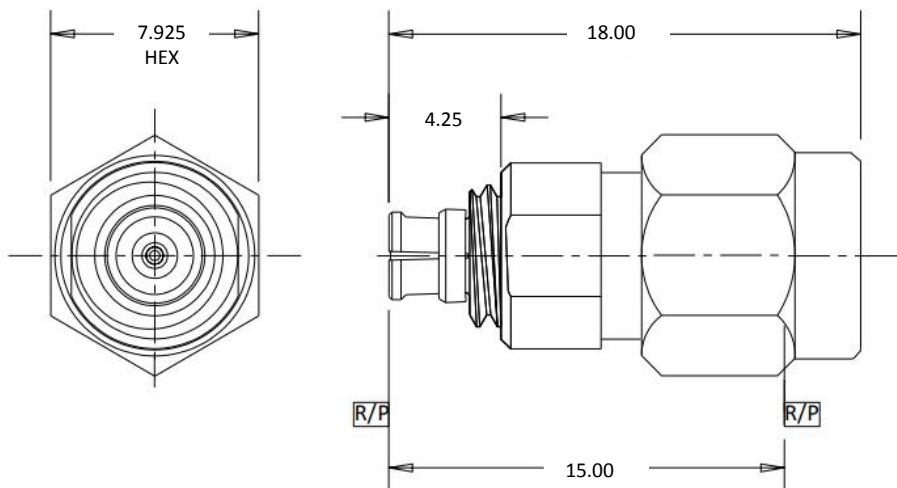
RFC2002

SMA/Male to SMP/Female Adapter 27 GHz

Frequency	0 to 27 GHz
VSWR	1.20 max.
Impedance	50 Ohms
SMA & SMP Interface per	MIL-STD-348
Body (SMA)	Passivated Stainless Steel per A582
Body (SMP)	BeCu per ASTM-B-196
Contact Plating	Au per MIL-G-45204
Dielectric	PTFE per ASTM D1710

MECHANICAL DRAWING

Unit : mm



Dimensional Tolerances	
.X	± 0.75
.XX	± 0.25
.XXX	± 0.125

Order notes to our customers: The default parameters are as follows. For special needs, please contact sales.

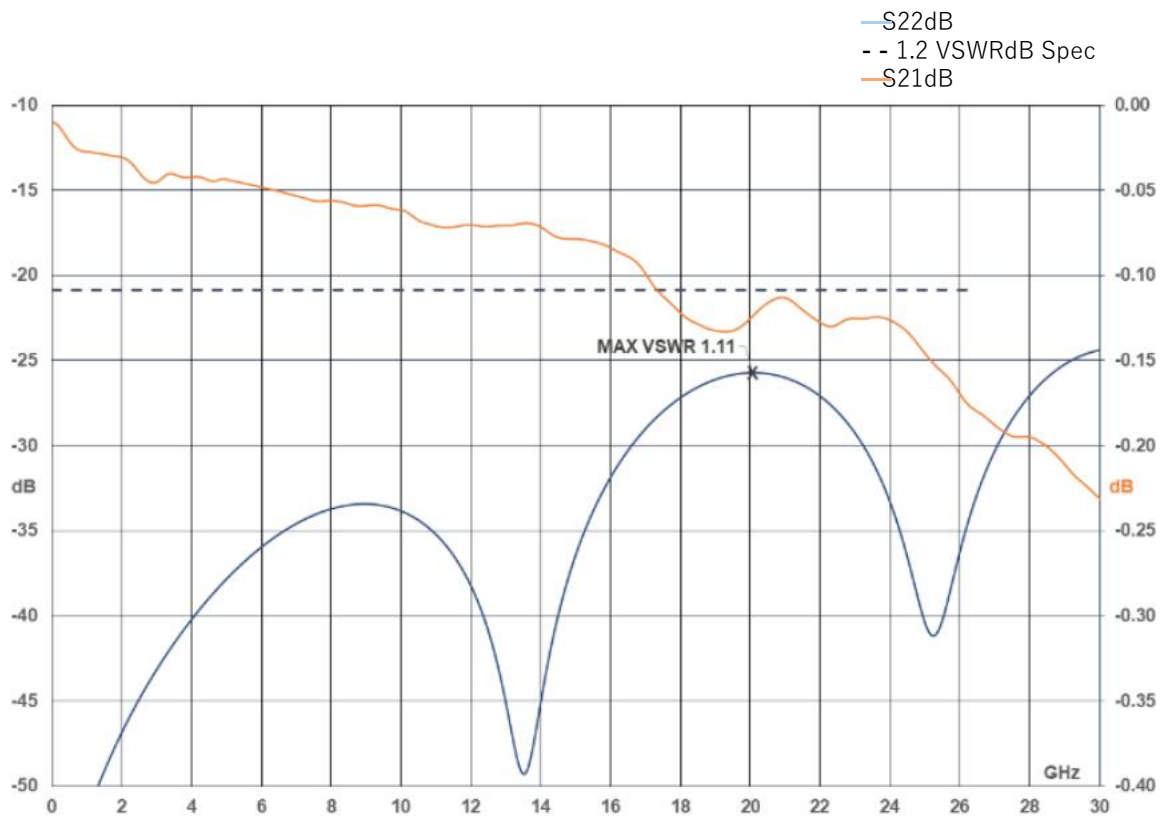
- 1) Connector FC/APC, 900 um, 1 m by default for all devices except for high power devices.
- 2) Slow axis working, fast axis blocked, connector key is aligned to slow axis by default for PM devices.

1501 RF Connector

RFC2002

TYPICAL DATA

S2P



Order notes to our customers: The default parameters are as follows. For special needs, please contact sales.
 1) Connector FC/APC, 900 um, 1 m by default for all devices except for high power devices.
 2) Slow axis working, fast axis blocked, connector key is aligned to slow axis by default for PM devices.