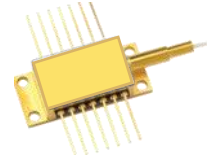


# 1001 980 nm Pump

**PL-980-370**



## 980 nm Pump Laser Diode, 370 mW Kink Free, TEC, FBG

These lasers are designed as pump sources for Erbium-Doped Fiber Amplifier (EDFA) applications. Processes and techniques of coupling the fiber to the laser allow high output powers that are very stable with both time and temperature.

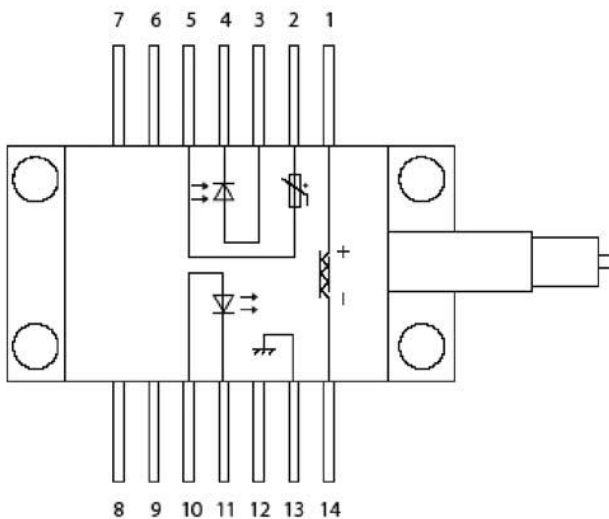
### FEATURES

- Double Fiber Bragg Grating Wavelength Stabilization
- High Output Power to 370 mW Kink Free
- Single-mode Fiber Pigtail
- RoHS Compliant
- Hermetically Sealed 14-pin Butterfly Package
- Telcordia GR-468-CORE Compliant
- Field Proven High Reliability
- Internal Thermoelectric Heatpump and Monitor PD

### USE IN

- Low Noise EDFAs
- HFC Applications
- DWDM EDFAs

### FUNCTIONAL DIAGRAM



Pin Description	Pin Description
1 Peltier Cooler (+)	8 Not Connected
2 Thermistor	9 Not Connected
3 Monitor Anode (-)	10 Laser Anode (+)
4 Monitor Cathode (+)	11 Laser Cathode (-)
5 Thermistor	12 Not Connected
6 Not Connected	13 Case Ground
7 Not Connected	14 Peltier Cooler (-)

**Order notes to our customers:** The default parameters are as follows. For special needs, please contact sales.  
**1) Connector FC/APC, 900 um, 1 m by default for all devices except for high power devices.**  
**2) Slow axis working, fast axis blocked, connector key is aligned to slow axis by default for PM devices.**

## 1001 980 nm Pump

PL-980-370

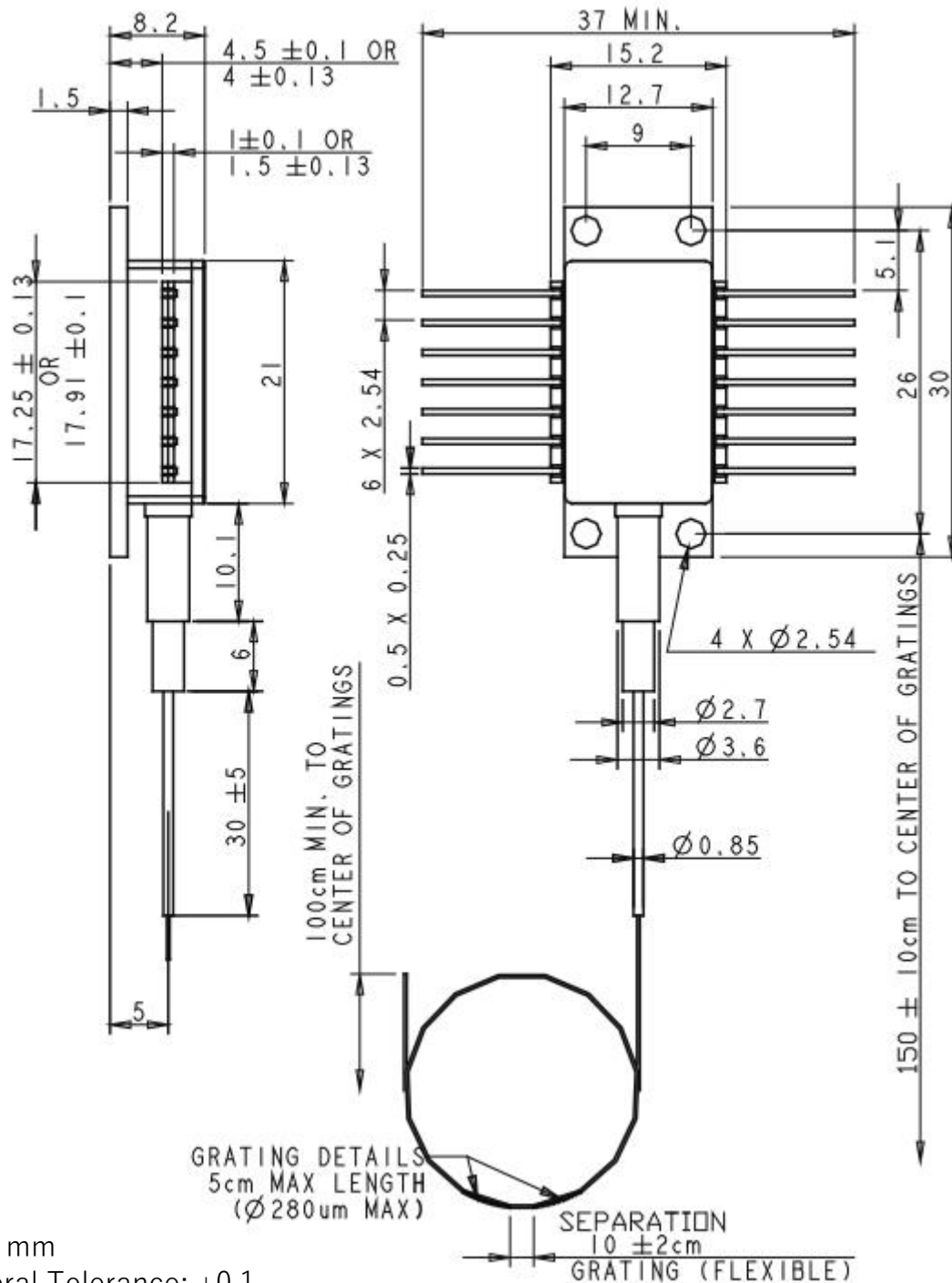
Threshold Current	30 mA typ.; 40 mA max.
Forward Voltage	1.9 V typ.; 2.5 V max.
Centre Wavelength	974 nm typ.
Spectral Width ( RMS@-13 dB )	0.2 nm typ.; 1 nm max.
Spectrum Stability ( t=60 s )	±0.5 nm max.
Temperature Dependence of Peak Wavelength	0.02 nm/°C max.
Wavelength Tolerance	±0.5 nm max.
Monitor Detector Responsivity	1 µA/mW min.; 8 µA/mW typ.; 25 µA/mW max.
Monitor Dark Current	50 nA max.
Thermistor Resistance	9.5 kΩ min.; 10 kΩ typ.; 10.5 kΩ max.
Heatpump Current	1.3 A max.
Heatpump Voltage	2.8 V max.
Operating Temperature	-20°C to +75°C
Storage Temperature	-40°C to +85°C
Laser Forward Current	800 mA max.
Laser Reverse Voltage	2 V max.
Bend Radius	30 mm min.

**Order notes to our customers:** The default parameters are as follows. For special needs, please contact sales.  
**1) Connector FC/APC, 900 µm, 1 m by default for all devices except for high power devices.**  
**2) Slow axis working, fast axis blocked, connector key is aligned to slow axis by default for PM devices.**

# 1001 980 nm Pump

PL-980-370

## MECHANICAL DRAWING



Unit: mm  
General Tolerance: ± 0.1

**Order notes to our customers:** The default parameters are as follows. For special needs, please contact sales.  
 1) Connector FC/APC, 900 um, 1 m by default for all devices except for high power devices.  
 2) Slow axis working, fast axis blocked, connector key is aligned to slow axis by default for PM devices.