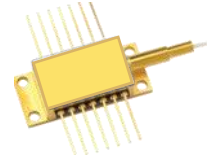


1001 980 nm Pump

PL-980-340



980 nm Pump Laser Diode, 340 mW Kink Free, TEC, FBG

The lasers are designed as pump sources for EDFA applications. Processes and techniques of coupling the fiber to the laser allow high output powers that are very stable with both time and temperature.

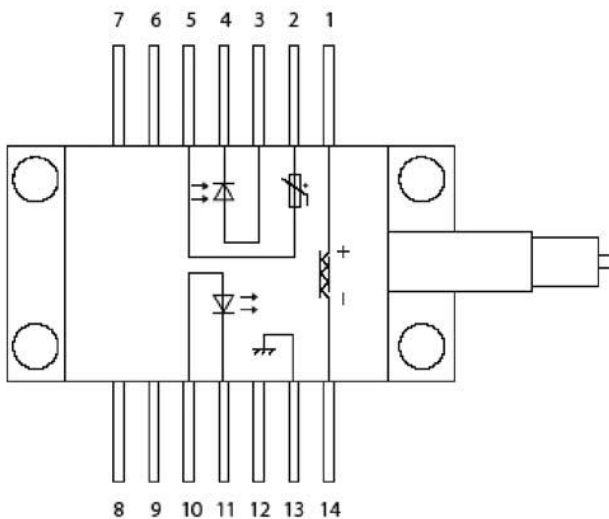
FEATURES

- Double Fiber Bragg Grating Wavelength Stabilization
- High Output Power to 340 mW Kink Free
- Single-mode Fiber Pigtail
- RoHS Compliant
- Hermetically Sealed 14-pin Butterfly Package
- Telcordia GR-468-CORE Compliant
- Field Proven High Reliability
- Internal Thermoelectric Heatpump and Monitor PD

USE IN

- Low Noise EDFAs
- HFC Applications
- DWDM EDFAs

FUNCTIONAL DIAGRAM



Pin Description

- | | |
|-----------------------|-----------------------|
| 1 Peltier Cooler (+) | 8 Not Connected |
| 2 Thermistor | 9 Not Connected |
| 3 Monitor Anode (-) | 10 Laser Anode (+) |
| 4 Monitor Cathode (+) | 11 Laser Cathode (-) |
| 5 Thermistor | 12 Not Connected |
| 6 Not Connected | 13 Case Ground |
| 7 Not Connected | 14 Peltier Cooler (-) |

Order notes to our customers: The default parameters are as follows. For special needs, please contact sales.

1) Connector FC/APC, 900 um, 1 m by default for all devices except for high power devices.

2) Slow axis working, fast axis blocked, connector key is aligned to slow axis by default for PM devices.

1001 980 nm Pump

PL-980-340

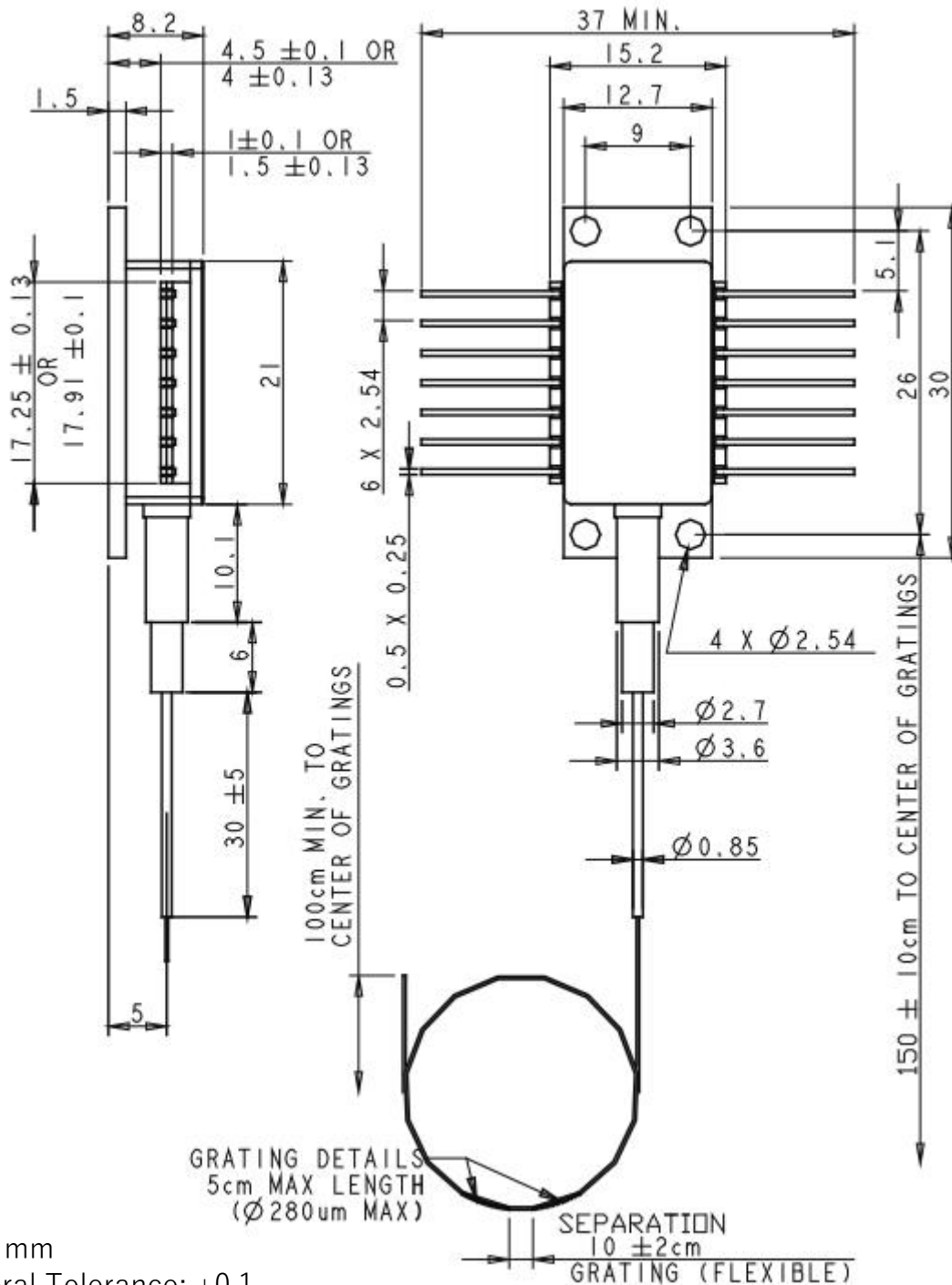
Threshold Current	30 mA typ.; 40 mA max.
Forward Voltage	1.9 V typ.; 2.5 V max.
Centre Wavelength	974 nm typ.
Spectral Width (RMS@-13 dB)	0.2 nm typ.; 1 nm max.
Spectrum Stability (t=60 s)	±0.5 nm max.
Temperature Dependence of Peak Wavelength	0.02 nm/°C max.
Wavelength Tolerance	±0.5 nm max.
Monitor Detector Responsivity	1 µA/mW min.; 8 µA/mW typ.; 25 µA/mW max.
Monitor Dark Current	50 nA max.
Thermistor Resistance	9.5 kΩ min.; 10 kΩ typ.; 10.5 kΩ max.
Heatpump Current	1.3 A max.
Heatpump Voltage	2.8 V max.
Operating Temperature	-20°C to +75°C
Storage Temperature	-40°C to +85°C
Laser Forward Current	800 mA max.
Laser Reverse Voltage	2 V max.
Bend Radius	30 mm min.

Order notes to our customers: The default parameters are as follows. For special needs, please contact sales.
1) Connector FC/APC, 900 µm, 1 m by default for all devices except for high power devices.
2) Slow axis working, fast axis blocked, connector key is aligned to slow axis by default for PM devices.

1001 980 nm Pump

PL-980-340

MECHANICAL DRAWING



Unit: mm
General Tolerance: ±0.1

Order notes to our customers: The default parameters are as follows. For special needs, please contact sales.
1) Connector FC/APC, 900 um, 1 m by default for all devices except for high power devices.
2) Slow axis working, fast axis blocked, connector key is aligned to slow axis by default for PM devices.