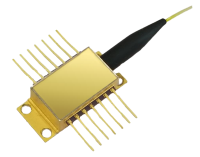


0202 1480 nm Pump Laser Diode

PL-1447-PM-240



1447 nm Pump Laser Diode, 240 mW, PM Fiber

The pump laser using Fiber Bragg Grating (FBG) features high-power and narrow-spectrum width. Power is available up to 250 mW. The center wavelength of this series is locked and stabilized in a wide temperature range by FBG. It supports the demands of Raman amp. sources for new applications.

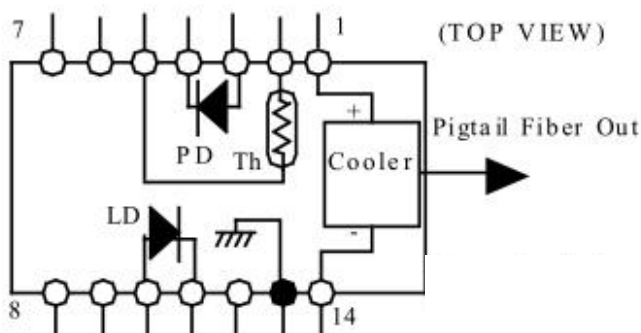
FEATURES

- Rated Output Power Up to 240 mW (CW)
- Polarization Maintaining Fiber Pigtail
- 14-pin Butterfly Footprint
- Integrated PIN Photodiode for Back Facet Monitor

USE IN

- Pump Source for Er-Doped Fiber Amplifier
- C- and/or L-band EDFA
- Single Channel Amp. to DWDM Amp.
- Pump Source for Raman Amplifier

FUNCTIONAL DIAGRAM



Pin	Description
1	Cooler (+)
2	Thermistor
3	PD Anode (-)
4	PD Cathode (+)
5	Thermistor
6	Not Connected
7	Not Connected

Pin	Description
8	Not Connected
9	Not Connected
10	LD Anode (+)
11	LD Cathode (-)
12	Not Connected
13	Case GND
14	Cooler (-)

Order notes to our customers: The default parameters are as follows. For special needs, please contact sales.

1) Connector FC/APC, 900 um, 1 m by default for all devices except for high power devices.

2) Slow axis working, fast axis blocked, connector key is aligned to slow axis by default for PM devices.

0202 1480 nm Pump Laser Diode

PL-1447-PM-240

Center Wavelength	1360 nm to 1520 nm (± 1.5 nm)
Spectral Width	3 nm max.
LD Operating Forward Voltage	2.5 V max.
LD Forward Current at EOL	1.2xI _{fBOL} mA max.
Monitor Current	100 μ A min.; 1500 μ A max.
Monitor Dark Current	100 nA max.
Extinction Ratio	16 dB min.
TEC Current	4.5 A max.
TEC Voltage	4.2 V max.
Thermistor Resistance	9.5 k Ω min.; 10 k Ω typ.; 10.5 k Ω max.
Thermistor B Constant	3900 K typ.
LD Forward Current	1300 mA max.
LD Reverse Voltage	2 V max.
PD Forward Current	5 mA max.
PD Reverse Voltage	20 V max.
Storage Temperature	-40°C to +85°C
Operating Case Temperature	0°C to +70°C

Order notes to our customers: The default parameters are as follows. For special needs, please contact sales.

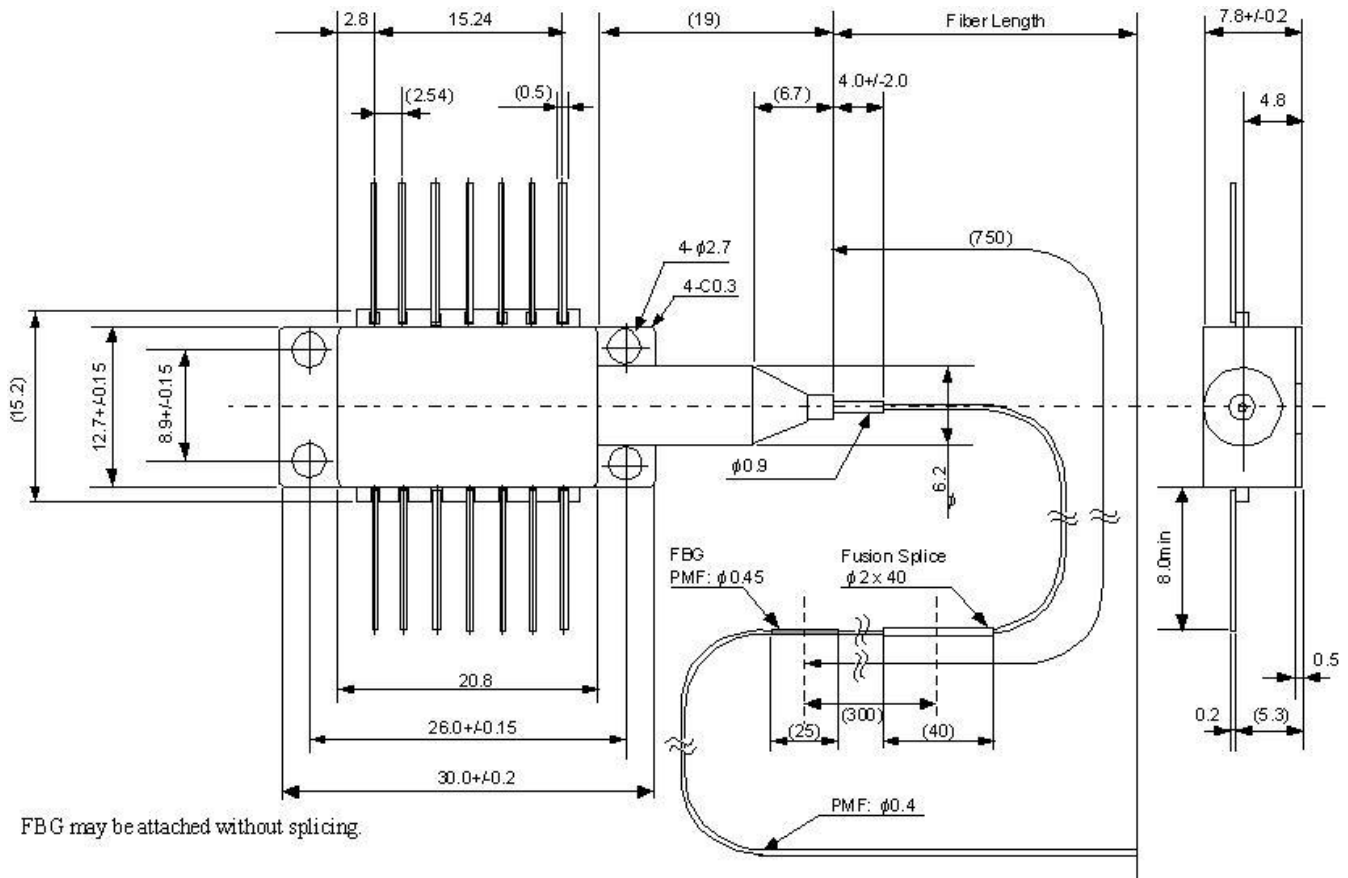
1) Connector FC/APC, 900 μ m, 1 m by default for all devices except for high power devices.

2) Slow axis working, fast axis blocked, connector key is aligned to slow axis by default for PM devices.

0202 1480 nm Pump Laser Diode

PL-1447-PM-240

MECHANICAL DRAWING



Order notes to our customers: The default parameters are as follows. For special needs, please contact sales.
1) Connector FC/APC, 900 um, 1 m by default for all devices except for high power devices.
2) Slow axis working, fast axis blocked, connector key is aligned to slow axis by default for PM devices.