

# 0108 Polarization Controller

PC2000



## Squeezer Polarization Controller

Each device consists of a rotatable fiber squeezer and two fiber holding clamps. They create stress-induced birefringence within SM fiber by mechanically compressing the fiber. This acts like a variable, rotatable wave plate. Both the angle and retardance of the wave plate can be continuously, independently adjusted, which allows any arbitrary input polarization state to be converted to any desired output polarization state.

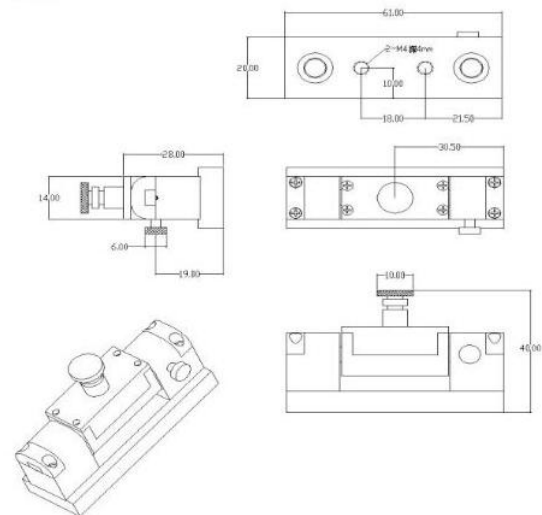
### FEATURES

- Low Loss
- Low Backreflection
- Compact
- Easy to Connect
- Low Cost
- Insensitive to Wavelength Variations
- Works with Fibers of Any Size

### USE IN

- High Speed Telecommunication Systems
- WDM Systems
- HFC
- Fiber Lasers
- Fiber Sensor Systems
- PM Fiber Systems
- Antenna Remoting Systems

### MECHANICAL DRAWING



Intrinsic Insertion Loss	0.05 dB max.
Return Loss	65 dB min.
Operating Wavelength	405 nm to 1700 nm
Extinction Ratio	40 dB min.
Operating Temperature	-40°C to +85°C
Storage Temperature	-40°C to +85°C
Dimensions	61x20x40 mm
Fiber Type	SM-28e/PM or Others
Fiber Length	1.0 m Standard
Connector	FC/APC or Others

**Order notes to our customers:** The default parameters are as follows. For special needs, please contact sales.

**1) Connector FC/APC, 900 um, 1 m by default for all devices except for high power devices.**

**2) Slow axis working, fast axis blocked, connector key is aligned to slow axis by default for PM devices.**