

0109 Polarization Beam Combiner

PBC3000-P

532 nm Polarization Beam Combiner, 300 mW

The PBC3000-P has very low insertion loss, high return loss, high extinction ratio and high stability & reliability. It can be used for fiber sensor, fiber optical current transducer and optical fiber Gyro.

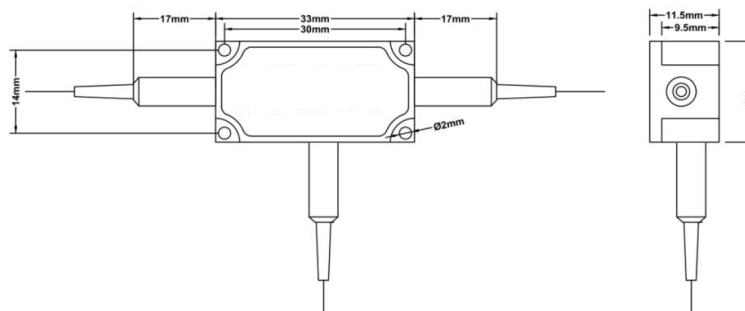
FEATURES

- High Return Loss
- Low Insertion Loss
- High Extinction Ratio
- High Stability & Reliability

USE IN

- Fiber Optical Current Transducer
- Fiber Sensor
- Optical Fiber Gyro

MECHANICAL DRAWING



Center Wavelength	532 nm
Operating Wavelength Range	±10 nm
Insertion Loss at 23°C	1.3 dB typ.; 1.5 dB max.
Extinction Ratio at 23°C	18 dB min.
Directivity	50 dB min.
Return Loss	50 dB min.
Optical Power (CW)	300 mW max.
Tensile Load	5 N max.
Fiber Type	Port 1 & 2 PM Panda Fiber
	Port 3 SM Fiber or PM Panda Fiber
Operating Temperature	+5°C to +70°C
Storage Temperature	-40°C to +85°C

* With connectors, IL is 0.3 dB higher, RL is 5 dB lower, and ER is 2 dB lower.

* Connector key is aligned to slow axis.