

1003 High Power Pump Module

LD-915-9 W-HP



915 nm, 9 W Microformat Laser Module

The module is a 915 nm fiber coupled diode laser, with 9 W output power. This high-efficiency and high-stability product is made of using professional coupling technology. The product also has high brightness, 105 μm 0.22 NA fiber. This laser can be used in medical care, material processing, optical amplifier and pump laser source.

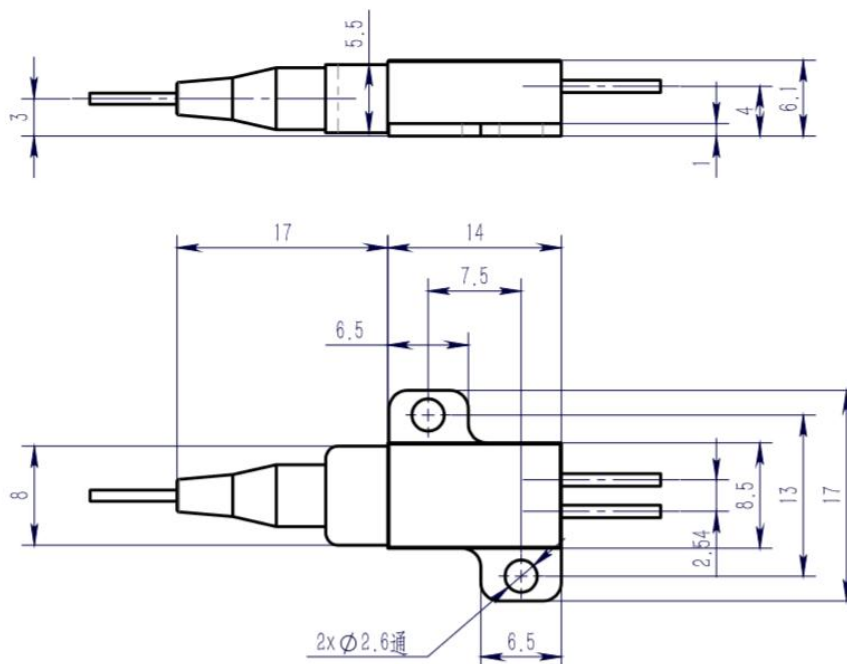
FEATURES

- 915 nm Center Wavelength
- 9 W Output Power
- 105 μm Core Diameter
- 0.22 NA

USE IN

- HFC
- Fiber Laser Pump Source
- Medical Application

MECHANICAL DRAWING



Unit: mm

Pin	Function
1	LD+
2	LD-

Order notes to our customers: The default parameters are as follows. For special needs, please contact sales.

1) Connector FC/APC, 900 μm , 1 m by default for all devices except for high power devices.

2) Slow axis working, fast axis blocked, connector key is aligned to slow axis by default for PM devices.

1003 High Power Pump Module

LD-915-9 W-HP

CW-Output Power	9 W min.
Center Wavelength	915±10 nm
Spectral Width	3.0 nm max.
Wavelength Shift with Temperature	0.3 nm/°C typ.
Wavelength Shift with Current	0.6 nm/A typ.
Electrical-to-Optical Efficiency	50% typ
Operating Current	13 A max.
Threshold Current	1.0 A typ.
Operating Voltage	1.6 V typ.; 1.8 V max.
Slope Efficiency	0.9 W/A typ.
Core Diameter	105 µm typ
Cladding Diameter	125 µm typ
Buffer Diameter	0.9 mm
Numerical Aperture	0.22 N.A. typ
Bending Radius	50 mm min.
Antireflection Wavelength Range	1020 nm to 1200 nm
Antireflection Isolation	30 dB typ.
ESD	500 V max.
Operating Case Temperature	15°C to +55°C
Storage Temperature	-40°C to +70°C
Operating Humidity	15% to 85%

Order notes to our customers: The default parameters are as follows. For special needs, please contact sales.
1) Connector FC/APC, 900 µm, 1 m by default for all devices except for high power devices.
2) Slow axis working, fast axis blocked, connector key is aligned to slow axis by default for PM devices.