

# 1105 LED Short Wavelength

**LD-850-60-CX**



## 850 nm LD, 60 mW, Coaxial Package, SM Fiber

The LD-850-60-CX is an 850 nm laser diode, packaged in compact coaxial housing with SM Fiber fiber pigtail. It features a built-in detector and offers excellent stability and reliability. This product can be used for optical sensing, test and measurement equipment, laser range finder and medical treatment.

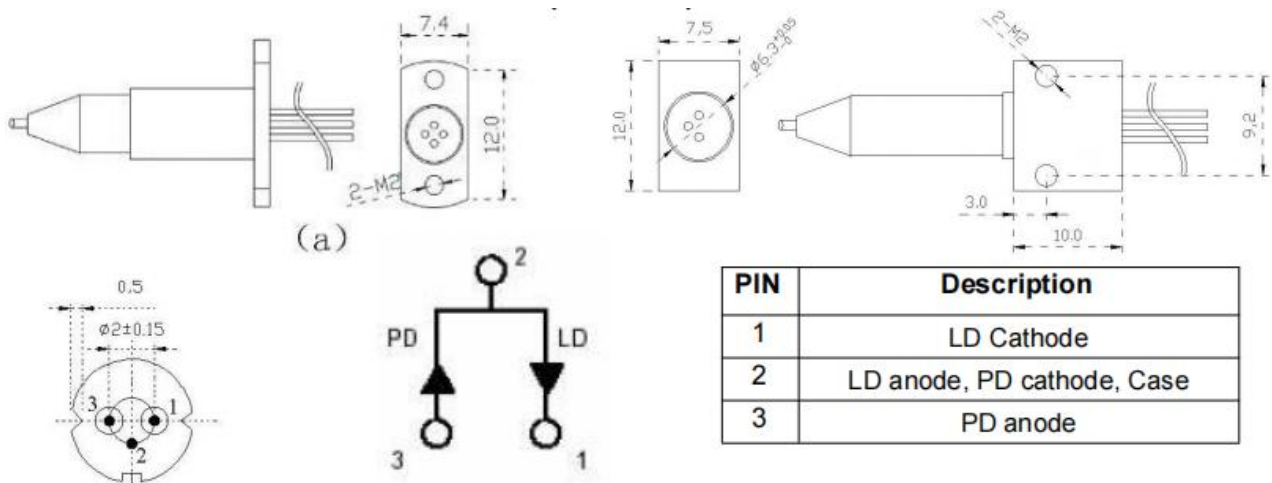
### FEATURES

- MQW Fabray Perrot
- 850 nm Wavelength
- 60 mW Output Power
- Low threshold
- Highly Reliable
- Built-in Monitor PD

### USE IN

- Laser Range Finder
- Optical Sensing
- Test and Measurement Equipment

### MECHANICAL DRAWING



Unit: mm

### Order note:

: The default parameters are as follows. For special needs, please contact sales.

1) Connector FC/APC, 900 um, 1 m by default for all devices except for high power devices.

2) Slow axis working, fast axis blocked, connector key is aligned to slow axis by default for PM devices.

# 1105 LED Short Wavelength

**LD-850-60-CX**



Laser Type	MQW Fabry-Perot LD
CW-Output Power	60 mW typ.
Center Wavelength	850±10 nm
Spectral Width	3.0 nm typ.
Operating Current	240 mA typ.; 280 mA max.
Threshold Current	40 mA typ.; 70 mA max.
Operating Voltage	2.5 V typ.
Monitor Current	0.3 mA typ.; 1.5 mA max.
Total Fiber Length	1 m (Standard)
Fiber Type	SM Fiber
Connector	FC/APC (Standard)
Operating Case Temperature	-10 °C to +60 °C
Storage Temperature	-40 °C to +85 °C

**Order notes to our customers:** The default parameters are as follows. For special needs, please contact sales.  
**1) Connector FC/APC, 900 um, 1 m by default for all devices except for high power devices.**  
**2) Slow axis working, fast axis blocked, connector key is aligned to slow axis by default for PM devices.**