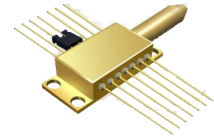


1105 LED Short Wavelength

LD-785-600-BT-MM



785 nm LD, 600 mW, 14-pin Butterfly Package, MM Fiber

The LD-785-600-BT-MM is a 785 nm laser diode, with 14-pin butterfly package. This high-power, high-efficiency, and high-stability product is made using professional coupling technology. The product has 600 mW CW output power, 600 mW fiber output power and 105 μ m 0.22 NA fiber. This laser can be used in raman spectroscopy, sensing, medical treatment, quantum photonics and optical pumping.

FEATURES

- Center Wavelength 785 nm
- 14-Pin Butterfly Package
- 600 mW Fiber Output Power
- 105 μ m 0.22 NA Fiber

USE IN

- Raman Spectroscopic Applications
- Sensing
- Medical Treatment
- Quantum Photonics

CW-Output Power	600 mW min.
Center Wavelength	785 \pm 0.5 nm
Spectral Width	0.1 nm max.
Wavelength Shift with Temperature	0.01 nm/ $^{\circ}$ C typ.
Electrical-to-Optical Efficiency	30%
Threshold Current	0.4 A typ.
Operating Current	1.1 A typ.; 1.5 A max.
Operating Voltage	1.9 V typ.; 2.2 V max.
Slope Efficiency	1.0 W/A typ.
Core Diameter	105 μ m
Cladding Diameter	125 μ m
Buffer Diameter	0.9 mm
Numerical Aperture	0.22 N.A.
Bending Radius	50 mm min.
PD Current	300 uA min.; 500 uA max.
TEC Current	2.2 A max.
TEC Voltage	8.75 V max.
Operating Temperature	20 $^{\circ}$ C to +30 $^{\circ}$ C
Storage Temperature	-20 $^{\circ}$ C to +70 $^{\circ}$ C

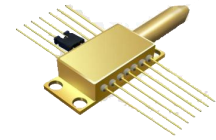
Order notes to our customers: The default parameters are as follows. For special needs, please contact sales.

1) Connector FC/APC, 900 μ m, 1 m by default for all devices except for high power devices.

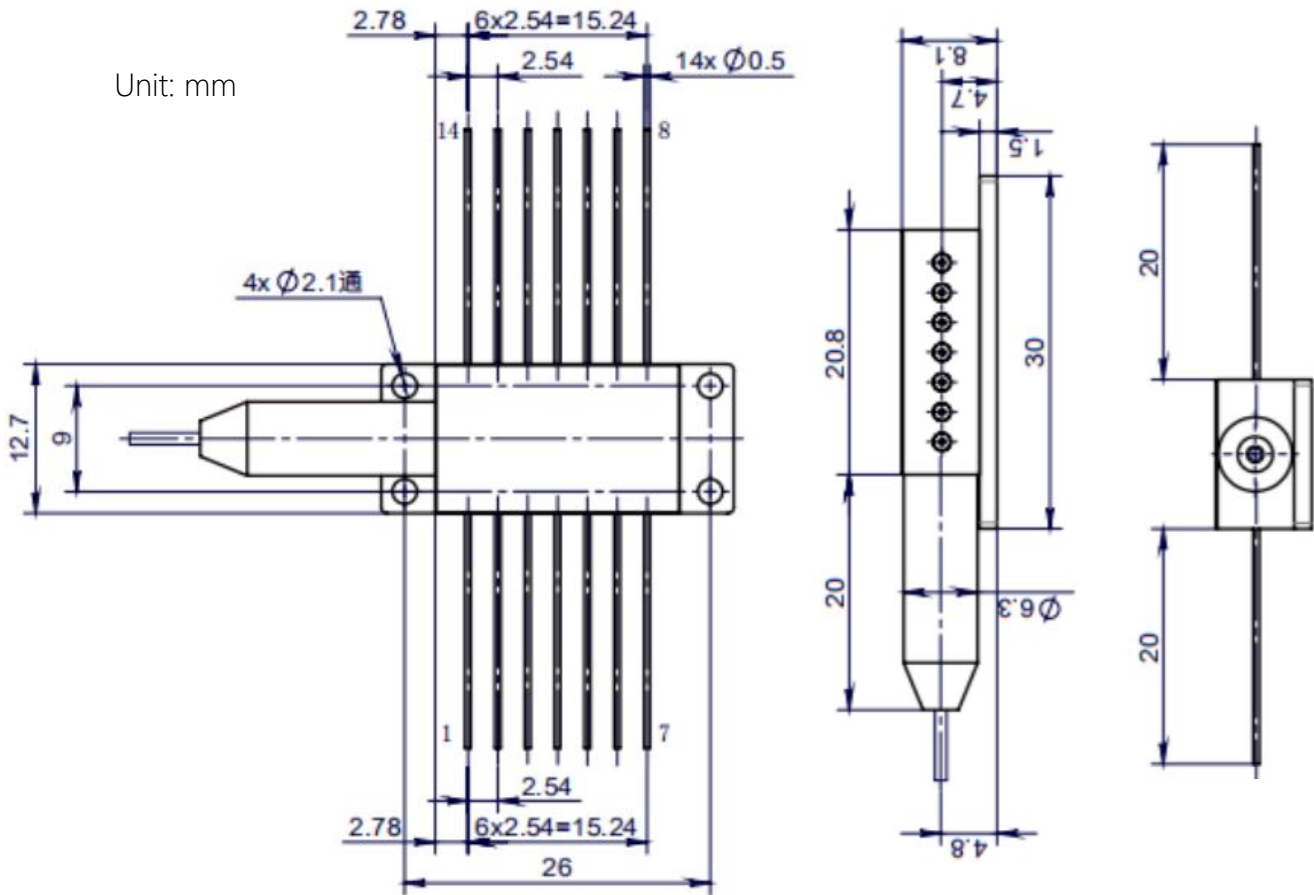
2) Slow axis working, fast axis blocked, connector key is aligned to slow axis by default for PM devices.

1105 LED Short Wavelength

LD-785-600-BT-MM



MECHANICAL DRAWING



Pin#	Desc	Pin#	Desc
1	TEC+	8	NC
2	Thermistor	9	NC
3	PD+	10	LD+
4	PD-	11	LD -
5	Thermistor	12	NC
6	NC	13	Case Ground
7	NC	14	TEC-

Order notes to our customers: The default parameters are as follows. For special needs, please contact sales.

- 1) Connector FC/APC, 900 um, 1 m by default for all devices except for high power devices.
- 2) Slow axis working, fast axis blocked, connector key is aligned to slow axis by default for PM devices.