

1105 LED Short Wavelength

LD-650-5-CX



650 nm LD, 5 mW, Coaxial Package, SM Fiber

The LD-650-5-CX is a 650 nm laser diode, packaged in compact coaxial housing with SM Fiber fiber pigtail. It features a built-in detector and offers excellent stability and reliability. This product can be used for optical sensing, test and measurement equipment, laser range finder and medical treatment.

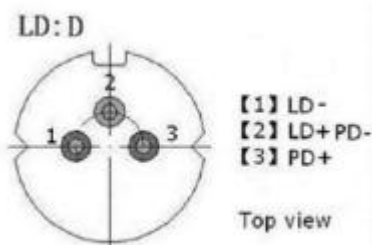
FEATURES

- SM Fiber FP LD
- Monitor Photodiode(Optional)
- TO-18 Package
- Operating Temperature Range:-20°C to 80°C
- High Reliability

USE IN

- Indicator Light
- Printing
- Medical Treatment
- Test and Measurement

FUNCTIONAL DIAGRAM



Pin#	Desc
1	LD-
2	LD+, PD-
3	PD+

Order notes to our customers: The default parameters are as follows. For special needs, please contact sales.

1) Connector FC/APC, 900 um, 1 m by default for all devices except for high power devices.

2) Slow axis working, fast axis blocked, connector key is aligned to slow axis by default for PM devices.

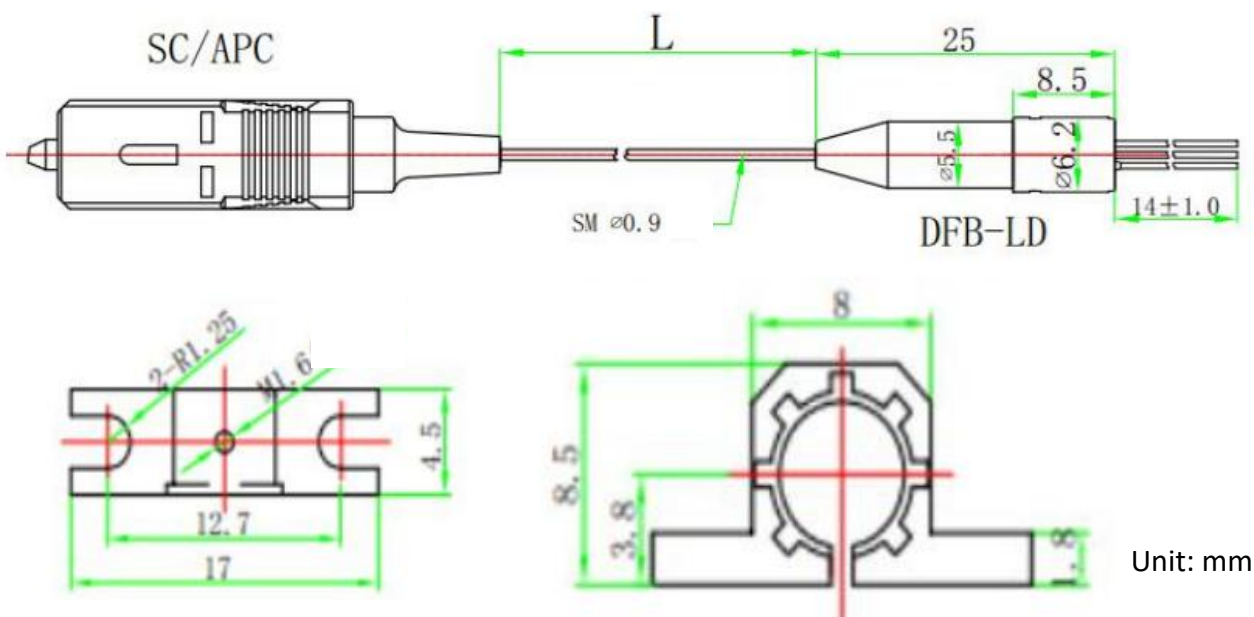
1105 LED Short Wavelength

LD-650-5-CX



Laser Type	MQW Fabry-Perot LD
Optical Output Power	5 mW typ.
Center Wavelength	650±10 nm
Operating Current	105 mA max.
Threshold Current	55 mA typ.
Operating Voltage	2.1 V typ.; 2.5 V max.
LD Reverse Voltage	2.0 V max.
Fiber Length	1 m (Standard)
Fiber Type	SM Fiber
Connector	FC/APC (Standard)
Operating Temperature	-10 °C to +80 °C
Storage Temperature	-40 °C to +85 °C

MECHANICAL DRAWING



Unit: mm

Order notes to our customers: The default parameters are as follows. For special needs, please contact sales.
1) Connector FC/APC, 900 um, 1 m by default for all devices except for high power devices.
2) Slow axis working, fast axis blocked, connector key is aligned to slow axis by default for PM devices.