



humantouch.com
800.355.2762

©2017 Human Touch®, LLC. Patents pending and intellectual property rights enforced.
No medical claims are warranted or implied by the use of this product.
Human Touch is a trademark of Human Touch®, LLC.
HT-GRAVIS-NA-A0



use & care manual

Register your product **ONLINE** today

www.humantouch.com/register

Register your product **ONLINE** today

www.humantouch.com/register

ENG

use & care manual

FRC

mode d'emploi et d'entretien

ESN

manual de uso y cuidado



For **more than 35 years**, Human Touch has established itself as an industry leader that is changing the lives of its customers with products and services that help them **feel, perform, and live their best**. Developed in cooperation with the medical community and industry experts, we deliver products that blend patented technology, craftsmanship and intelligent ergonomics with superior design to enable therapeutic relief for everyone.

Our industry-leading massage chairs, Perfect Chair® recliners and evolving set of innovative solutions share attributes in their ease-of-use, attention to performance and quality, and design to adapt to most any lifestyle. These attributes are highly valued by our customers and garner broad industry award and recognition. As a result, Human Touch empowers people to enjoy greater health and vitality in their professions, pursuits and everyday lives. And with a population increasingly aware of the benefits of wellness, Human Touch extends its brand leadership and available **solutions for the benefit of everyone**.

humantouch.com

Register your product at www.humantouch.com to ensure your product is in our system to simplify the warranty process should you ever need it.

human touch®
GRAVIS
ZG CHAIR

welcome to **human touch**®

Anyone who suffers from back pain knows how debilitating it can be and how difficult it is to find relief. The Human Touch® Gravis ZG Chair combines the therapeutic benefits of zero-gravity with air massage technology, multi-zone heat and powered positioning for every part of the chair. With crisp, clean lines and innovative design, Gravis delivers both neutral posture pain relief and exceptional control of your comfort.

Human Touch zero-gravity chairs recline while cradling your back and elevating your legs above your heart. It is this therapeutic position that doctors recommend as the healthiest way to sit. As the chair reclines, the muscles immediately start relaxing. When the chair reaches zero-gravity there is a major reduction in muscle irritation, which promotes spinal health and relief from back pain.

Supported by millions of dollars and years of research, Human Touch products are the only therapeutic chairs endorsed by the World Federation of Chiropractic. To ensure that you don't overlook any of your chair's features, and that you use it safely, read this manual carefully. Then sit back, relax, and enjoy the many benefits of the Gravis ZG Chair!

keep it safe

IMPORTANT SAFETY INSTRUCTIONS

When using an electrical appliance, basic precautions should always be followed, including the following:

Read all instructions before using this appliance.

 **DANGER: To reduce the risk of electrical shock**

Always unplug this product from the electrical outlet immediately after using and before cleaning.

 **WARNING: To reduce the risk of burns, fire, electric shock or injury to persons:**

- Do not put hands or fingers near the massage mechanism or rollers while this product is running. Touching the mechanism can result in injury from the rollers squeezing together.
- If the supply cord is damaged, it must be replaced by the manufacturer or its service agent or a similarly qualified person in order to avoid a hazard.
- An appliance should never be left unattended when plugged in. Unplug from outlet when not in use, and before putting on or taking off parts.
- Do not operate under blanket or pillow. Excessive heating can occur and cause fire, electric shock, or injury to persons.
- Close supervision is necessary when this product is used by, on, or near children, invalids, or disabled persons. Keep children away from extended foot support (or other similar parts).
- Use this product only for its intended use as described in this manual. Do not use attachments not recommended by the manufacturer.
- Never operate this product if it has a damaged cord or plug, if it is not working properly, if it has been dropped or damaged, or dropped into water. Return this product to a service center for examination and repair.
- Do not carry this appliance by supply cord or use cord as a handle.
- Always keep the power cord away from heated surfaces.
- Never operate this product with the air openings blocked. Keep the air openings free of lint, hair, and the like.
- Never drop or insert any object into any opening.
- Do not use outdoors.
- Do not operate where aerosol (spray) products are being used or where oxygen is being administered.
- To disconnect, turn all controls to the OFF position, then remove plug from outlet.
- Do not massage any area of the body that is swollen, inflamed or covered with skin eruptions.
- Do not use on unexplained calf pain.
- Do not use this product when standing on a damp floor, or when any part of the body is in contact with plumbing or any similar ground.
- Do not use this product if noise above normal sound is heard.
- Do not stand on or in appliance. Use only while seated.
- This appliance is not intended for use by persons (including children) with reduced physical, sensory or mental capabilities, or lack of experience and knowledge, unless they have been given supervision or instruction concerning use of the appliance by a person responsible for their safety. Children should be supervised to ensure that they do not play with the appliance.

Safety Precautions

- Comfortable clothing is recommended while using this product.
- This product was meant to be used in a relaxed position. Never force any body part into the backrest area while the rollers are moving.
- If you feel any abnormal discomfort during the operation of this product, turn off the power immediately and do not use the product. Consult your physician.
- Do not sit on the controller.
- Do not pull on the AC cord.
- When using this product after it has been in storage, check to see that the product is operating properly prior to use.
- Always confirm that there are no obstacles behind the product and that there is sufficient space to recline.

SAVE THESE INSTRUCTIONS


Do not attempt to repair this product yourself.


This product is designed for personal in-home use. Commercial use will void warranty.

FCC STATEMENT

This device complies with Part 15 of the FCC Rules. Operation is subject to the following two conditions:

(1) This device may not cause harmful interference, and (2) this device must accept any interference received, including interference that may cause undesired operation.

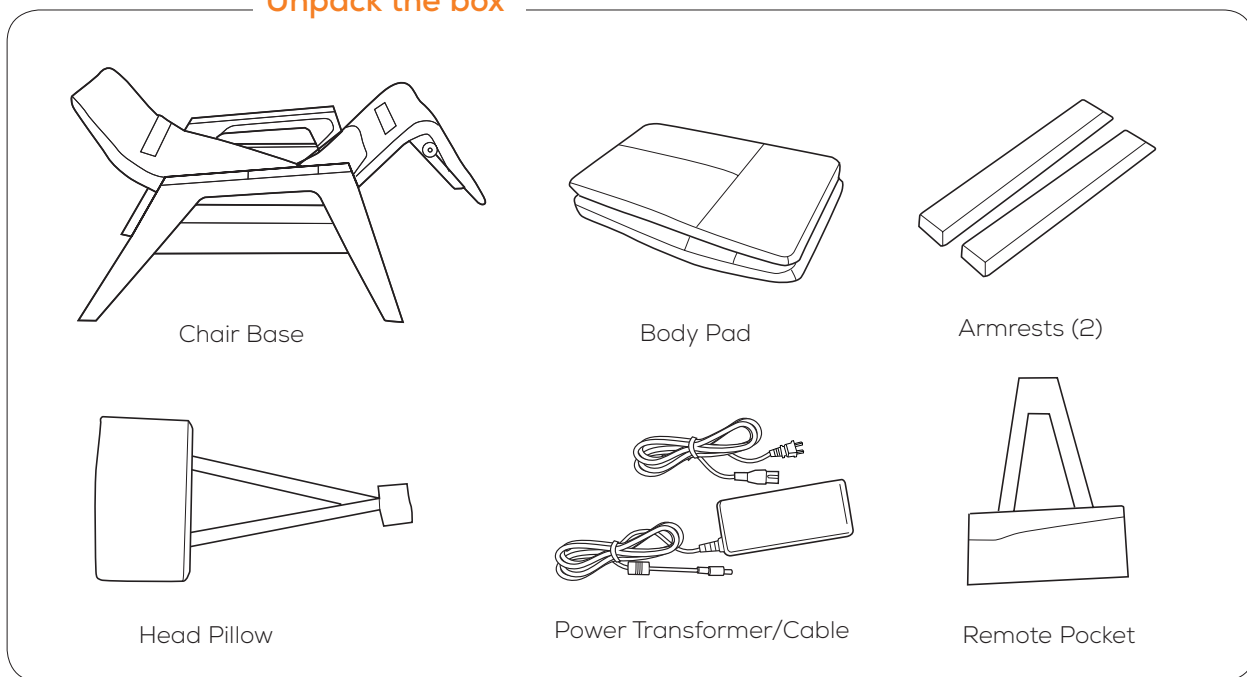
 **WARNING:** Changes or modifications to this unit not expressly approved by the party responsible for compliance could void the user's authority to operate the equipment.

 **WARNING:** This product is equipped with a thermal resetting protection device. This is an added safety feature to protect you and this product from overheating. If the product should suddenly stop and will not start, turn the main power switch, located on the back of the product, off and do not operate the product for at least 30 minutes. Failure to turn the product off may result in the product starting unexpectedly when the device cools.

get ready

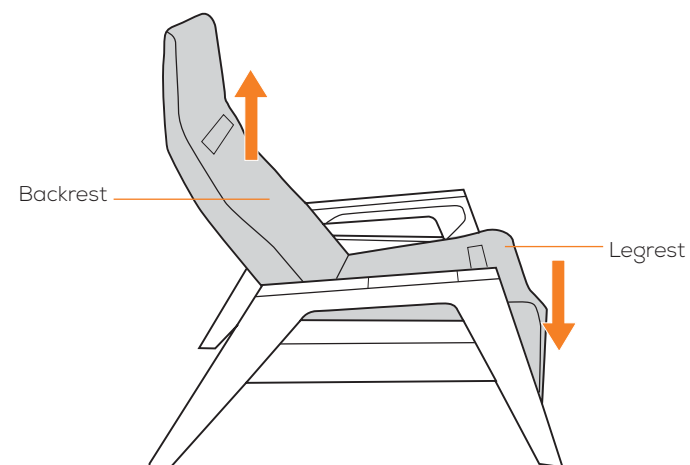
Your Human Touch Gravis ZG chair requires some simple assembly. Just attach the armrests, body pad, head pillow, remote pocket, and you're done!

Unpack the box

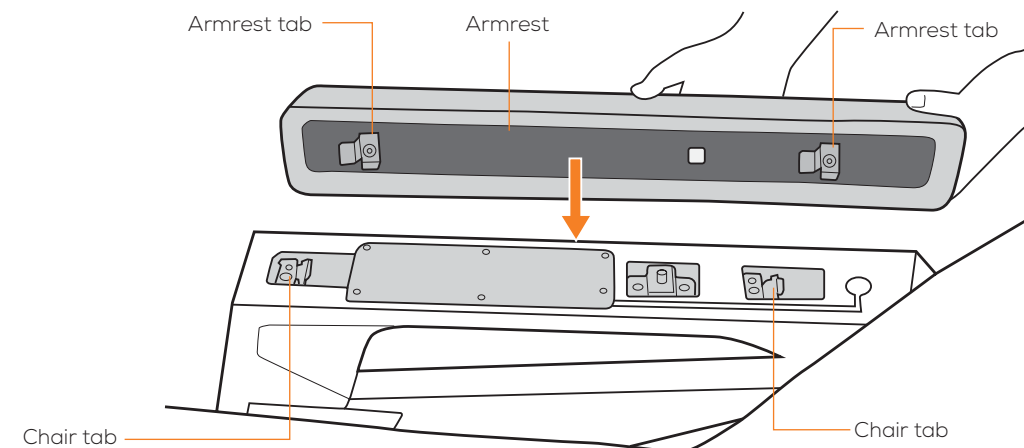


INSTALL THE ARMRESTS

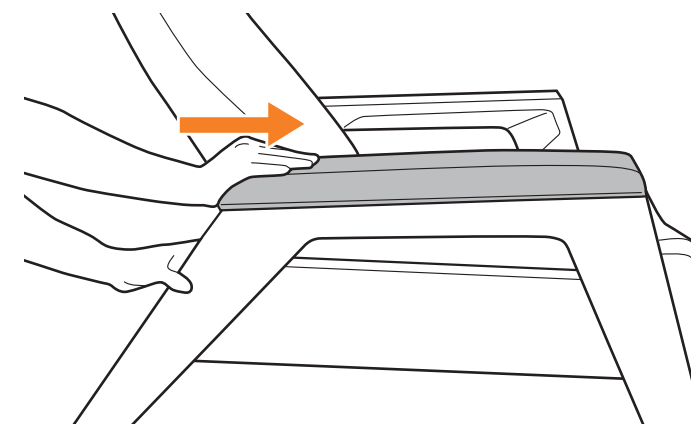
1. Plug in the chair, then use the controller **Back** ⬆️ and **Foot** ⬇️ buttons to raise the backrest and lower the legrest.



2. Align the armrest as shown below, with the armrest tabs positioned to the rear of the corresponding tabs on the chair arm.



3. Turn the armrest over, lower it onto the chair arm, then slide it forward as far as it will go. The locking mechanism clicks into place.



4. Repeat steps 2 and 3 to install the other armrest.
5. Pull up and backward on each armrest to make sure it is locked into place.

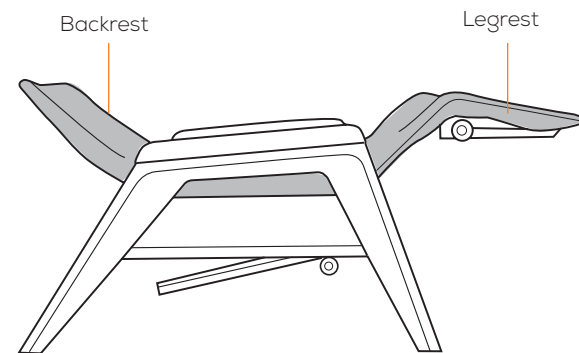
get ready

POWER ON THE CHAIR

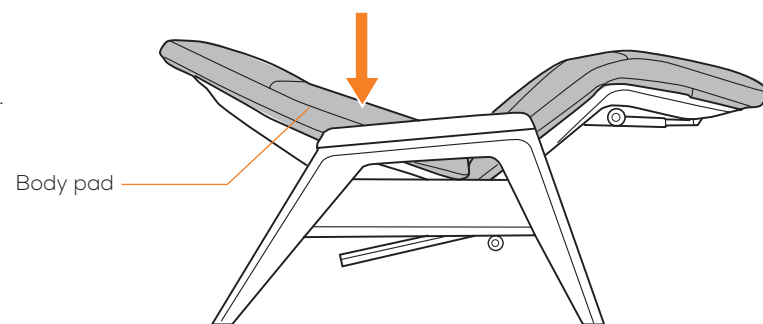
Plug in the chair, take a seat, then press the **Power** button on the remote. The Power LED lights to indicate the remote is receiving power.

INSTALL THE BODY PAD

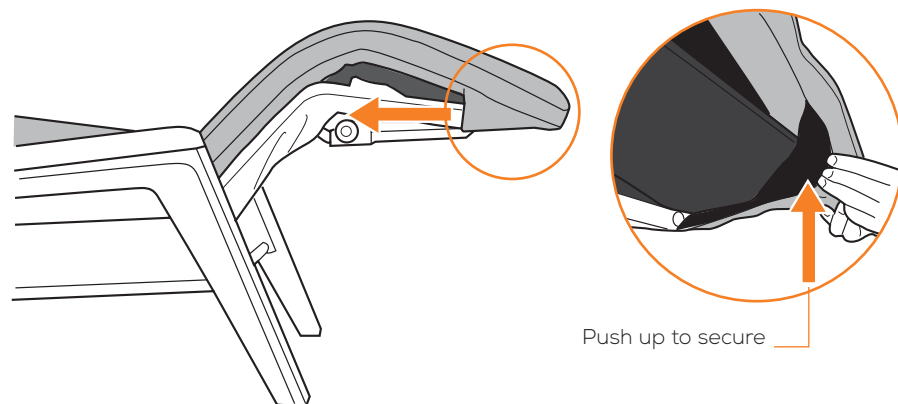
1. Use the controller **ZG** button to recline the chair into the zero-gravity position.



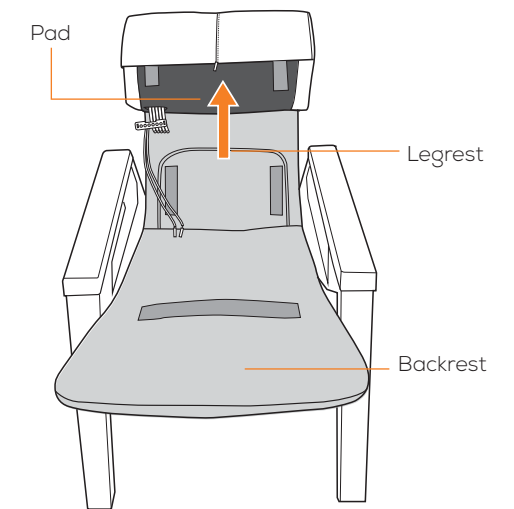
2. Lay the body pad on top of the chair base.



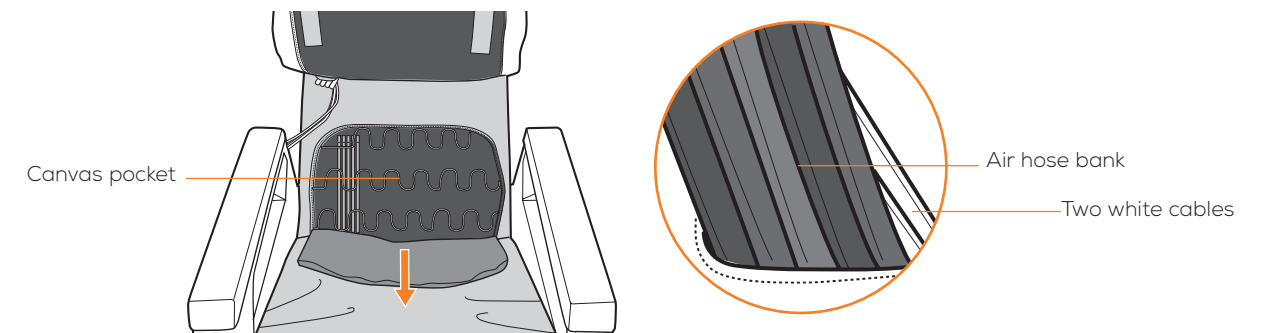
3. Slide the flap on the underside of the legrest portion of the pad over the chair frame, then pull the pad firmly toward the headrest. Press upward on the flaps on the underside of the pad corners to secure the pad to the chair frame using the hook-and-loop fasteners.



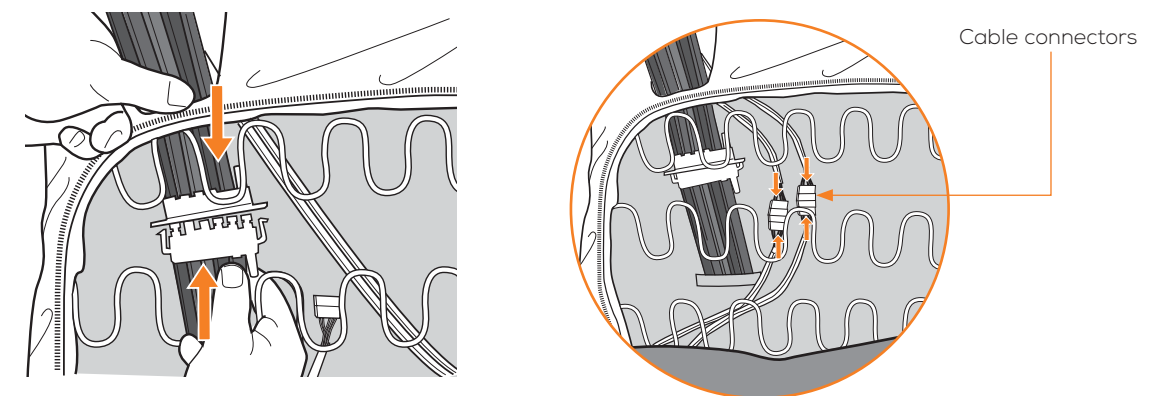
4. Flip the backrest portion of the pad forward onto the seat.



5. Unzip the canvas pocket, then thread the air hose bank and the two white cables through the hole in the chair canvas.

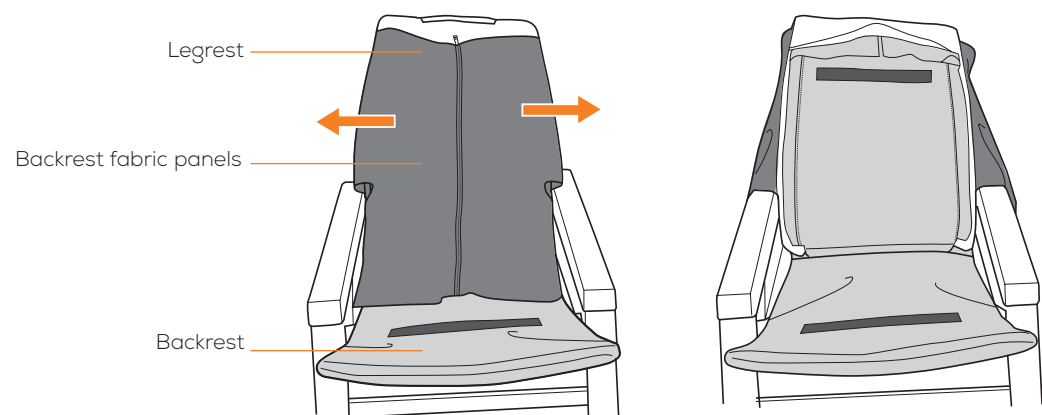


6. Connect the air hose bank, then connect the two cable connectors, making sure the cabling is all positioned behind the seat springs.

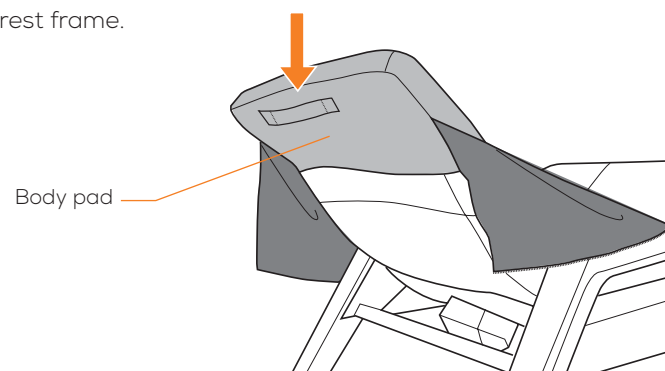


get ready

7. Smooth the lower body pad down over the legrest and seat, unzip the backrest fabric panels, then flip them to each side, out of the way.

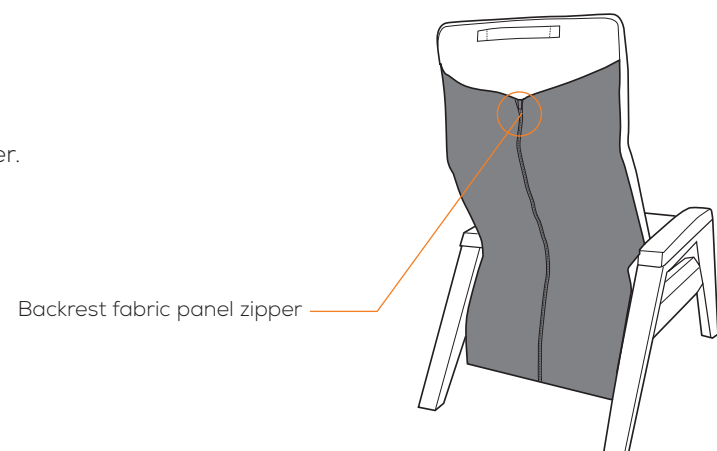


8. Slide the top of the body pad over the headrest frame.

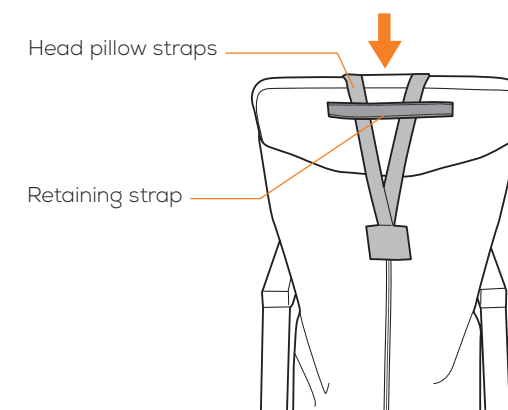


9. Use the remote **Back** button to raise the backrest to the upright position.

10. Close the backrest fabric panel zipper.

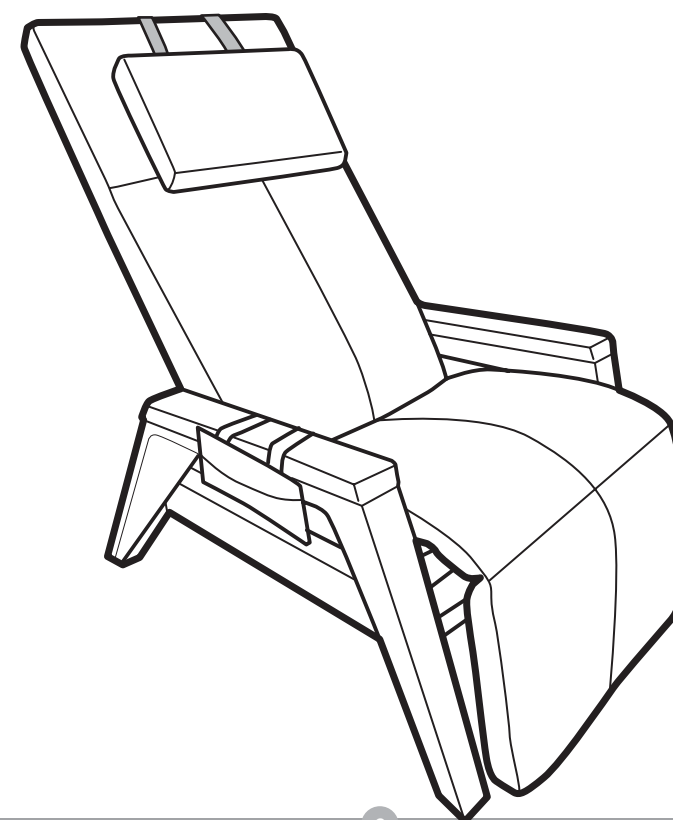
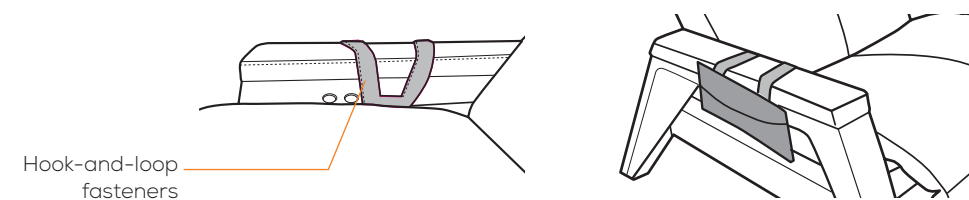


11. Place the head pillow into position then thread the straps through the retaining strap on the back of the headrest.



INSTALL THE REMOTE POCKET

Place the remote pocket into position on either armrest, then secure it using the hook-and-loop fasteners.

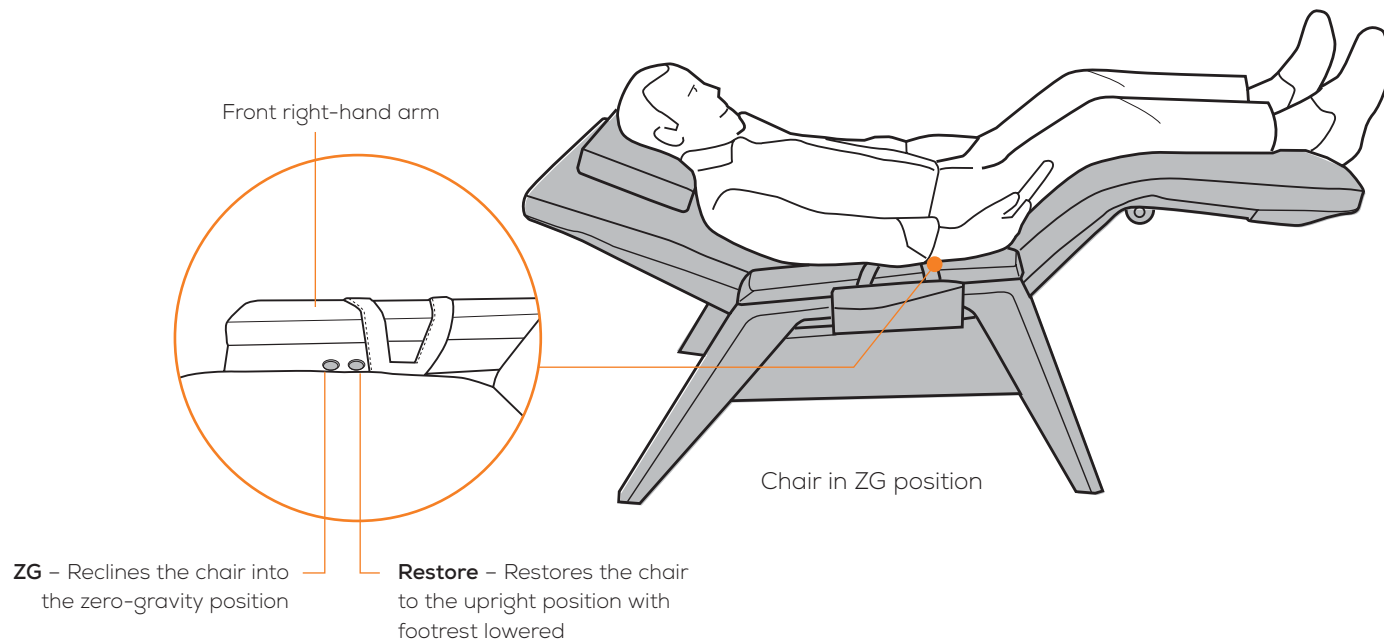


take a seat

Using your Human Touch Gravis Zero-Gravity is easy. Just take a seat and use the Precision Power Recline System to adjust the chair to the desired position. The Gravis cradles you in zero-gravity comfort, with your feet above your heart—the ultimate neutral-posture position for stress relief.

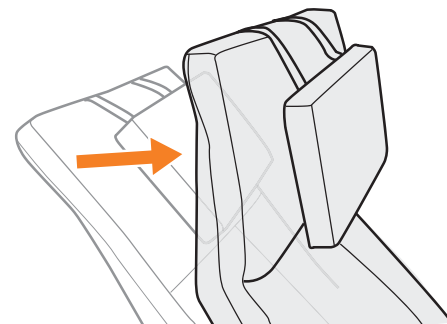
ADJUST THE RECLINE ANGLE

Use the remote control **Back** buttons to recline to the desired position, then use the **Foot** buttons to adjust the footrest angle. Or, simply press the **ZG** button on the remote control or the front right-hand arm sensor to automatically recline to a neutral-posture position, for maximum spinal relief.



ADJUST THE HEADREST

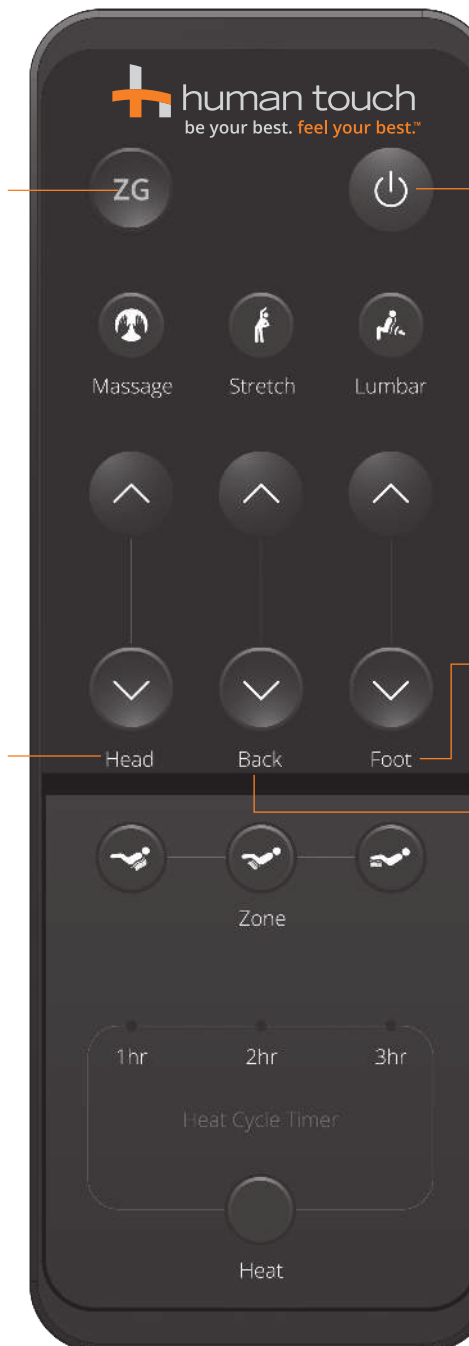
Use the **Head** buttons to adjust the headrest as desired.



GETTING OUT OF THE CHAIR

To easily exit the chair, press the **Power** button on the remote control or the rear right-hand arm sensor to restore the chair to the upright position with the footrest partially lowered. After ensuring there are no obstacles underneath the footrest, use the **Foot** buttons to fully retract the footrest for easier exit.

ZG – Press and release to recline to zero-gravity position.



Power – Powers the remote on and off; when the remote is powered off the chair automatically restores to the upright position with the footrest partially lowered. After ensuring there are no obstacles underneath the footrest, use the **Back** buttons to fully retract the footrest for easier exit.

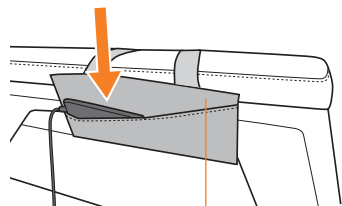
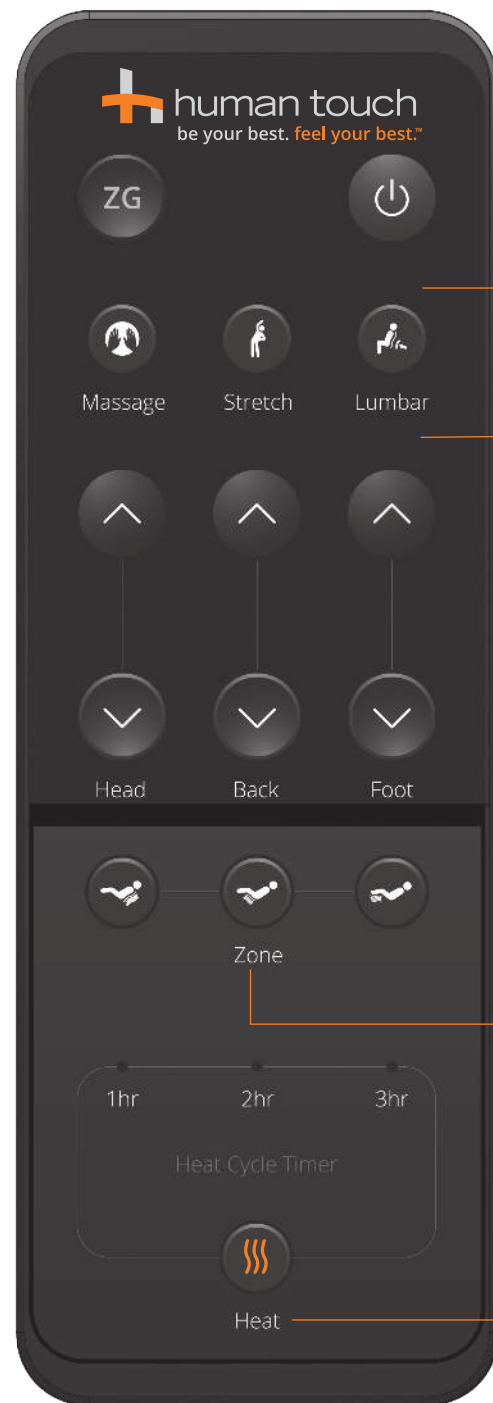
Foot – Adjust footrest position.

Head – Adjust headrest position

Back – Adjust recline angle.

take control

Now customize your massage. Choose from the Gravis ZG Recliner Wave Therapy air massage system's three programmed massage choices to provide a relaxing massage, therapeutic spinal stretch, or focused lumbar stretch. You can also add heat in the back, seat, and/or leg area. Then just close your eyes and sink into blissful relief!






Remote pocket

Tuck the remote into the remote pocket when not in use.

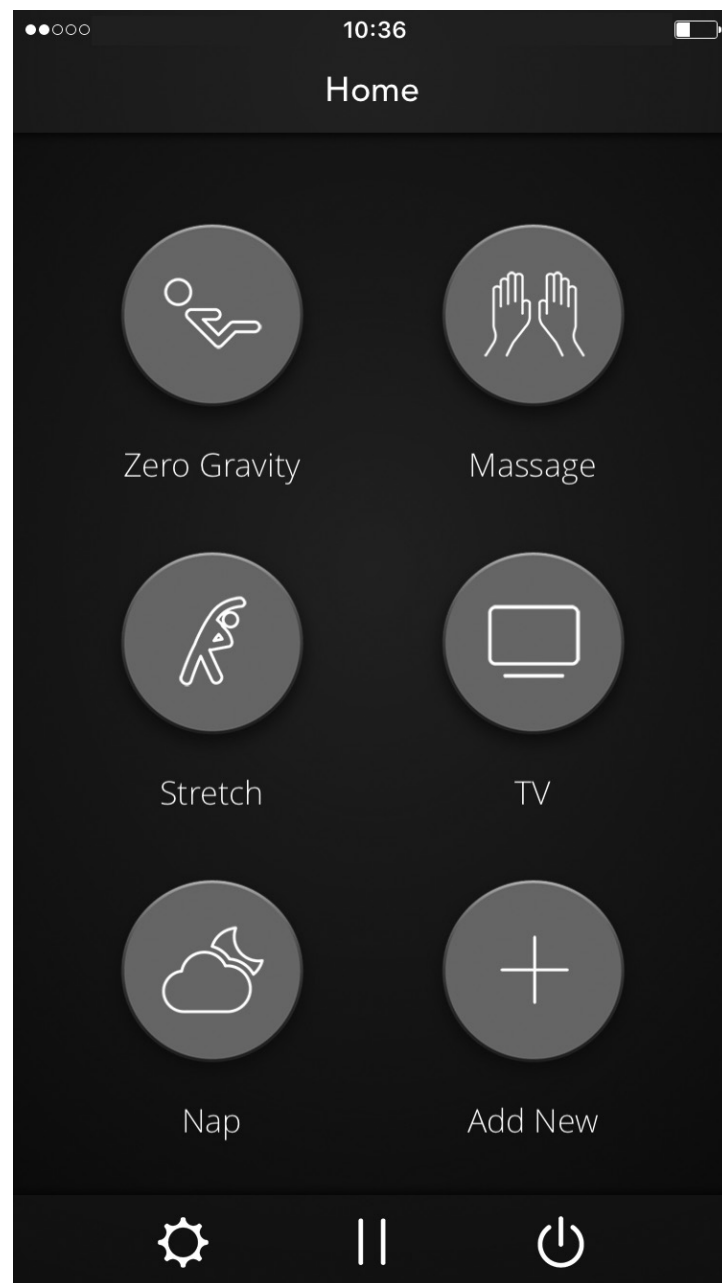
Heat Zone – Turn heat on/off in the back, seat, and leg area separately.

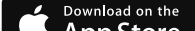

Heat – Choose the desired heat duration; the heat automatically turns off after the selected time.

Understanding Targeted Benefits

Targeted Benefit	What It Does	Benefits
Massage	Massages your back and seat simultaneously with soothing air Wave Therapy. 	Relieves tension and soreness by lifting and stretching muscles. Improves circulation and helps bring vital nutrients to the spinal area.
Stretch	Focuses the air Wave Therapy massage in the spinal area. 	Flexes spinal joints and relieves pressure on the spinal column, invigorating the entire back area.
Lumbar	Stretches and holds the lumbar area of your back. 	Provides soothing relief for tight lumbar muscles.

take control



For even more customization options, including memory settings, preset TV and Nap recline positions, and Smart Sitting options, download the **Gravis ZG app** from  or 

ENGLISH

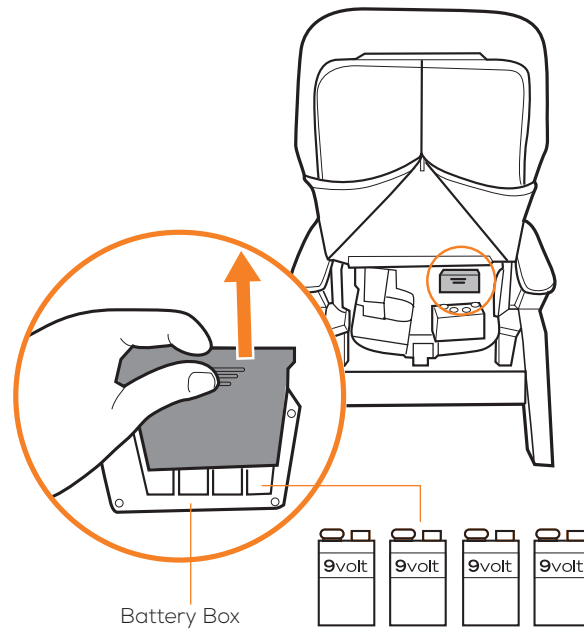
THE GRAVIS ZG APP OFFERS ALL OF THE SAME FEATURES AS THE REMOTE CONTROL, PLUS A BUNCH OF EXTRAS:

Smart Motion	Subtle chair movements let you know when you've been sitting in one position too long — select from 10-minute intervals up to 60 minutes.
Smart Sitting	Wakes you up when desired by restoring the chair to the upright position — select from one-hour intervals up to eight hours.
Memory Settings	Set all of the chair's settings just the way you like them, then save your selections for easy one-touch recall. Store up to nine of your favorite combinations.
Multiple Languages	Select from English, Chinese, Spanish, or Korean languages.
Quick Reference	Display the Use and Care manual.
Additional One-Touch Positioning	Choose the preset TV or Nap position.
Custom Lumbar	Set the lumbar extension to 0, 1 (.75"), 2 (2"), 3 (2.5"), 4 (3"), or 5 (3.5").
Additional Heat Adjustments	Set heat to high or low temperature and set timer at half-hour intervals, up to six hours.
Massage Timer	Set air massage duration to 15 or 30 minutes.

Human Touch Safety Feature: Battery Backup

Your Gravis ZG chair has a built-in battery backup system, to ensure that you can incline and exit the chair if a power failure occurs. The battery backup system uses four common 9V batteries (not included). Be sure to note the date you installed the batteries and the battery expiration date. Replace the batteries before the expiration date, or at least annually, to ensure that the battery backup system is functional.

IMPORTANT: To use the built-in battery backup system to incline and exit the chair during a power failure, use the **Back** button to automatically restore the chair to the upright position.



IMPORTANT: The batteries can only be used **ONCE**; after using the battery backup system, replace the batteries immediately. If you unplug the chair for longer than an hour, remove the batteries from the battery backup system to avoid draining them.

care and maintenance

To keep your product working and looking its best, please follow these simple care guidelines.

⚠ WARNING:

1. Be sure to disconnect the power cord from the electrical outlet before cleaning.
2. When cleaning the controller or power switch, use a dry cloth only. Never use a damp cloth to clean the controller or power switch.
3. Be sure to test any cleaning solution on a small, inconspicuous part of the product to ensure that the color does not fade prior to using the solution on the entire product surface.
4. Do not use benzene, thinner or any other solvents on your product.

Cleaning Code Standard: W

To maintain your Human Touch product in optimum condition, dust it frequently and/or vacuum it with a soft brush vacuum extension. SofSuede® products can also be brushed with a suede brush. If your product becomes dirty, use a water-based upholstery cleaner only. To treat stains, spot clean with an upholstery shampoo or a mild detergent foam.

Natural leather is a breathing, porous material similar to human skin, and is susceptible to changing color due to absorbing dirt, sweat, moisture, greases, and oils. Care should be taken to avoid or minimize contact with bare skin and hair, as well as food items, as this may cause discoloring, especially on lighter leather colors. Some immunity to discoloring and protection from cracking and drying may be achieved by periodically rubbing the entire leather surface with beeswax, saddle-soap, or natural leather conditioner from a reputable supplier (follow application instructions carefully).

Maintenance and Repair:

1. The mechanics of this product are specially designed and constructed to be maintenance free. No periodic lubrication or servicing is required.
2. Your chair should only be serviced by an authorized service center.

Use and Storage Environment:

1. When not in use for a long period of time, we recommend that the chair be covered, the power cord be coiled and that the unit be placed in an environment free of dust and moisture.
2. Do not store near heat or open flame.
3. Do not leave this product exposed to direct sunlight for long periods of time. This may cause fading or damage.
4. Do not use or store in extreme temperatures; product stored in cold temperatures may require 48 hours at room temperature to function properly.
5. Product should be used and stored in an environment with non-condensing humidity ranging from 10 to 80%; excessive humidity will damage the mechanics.

Specifications*

Operating Voltage:	AC110-120V 60 Hz
Power Consumption:	48 Watts
Chair Size (reclined):	67" L x 30" W x 31" H
Product Weight:	121 Lbs.
Required Recline Clearance:	3"
Maximum Load Weight:	400 Lbs.

*Specifications are subject to change without prior notice.



humantouch.com
800.355.2762



mode d'emploi et
d'entretien

Enregistrez votre produit **EN LIGNE** dès maintenant

www.humantouch.com/register

Enregistrez votre produit **EN LIGNE** dès maintenant

www.humantouch.com/register



Depuis plus de 35 ans, Human Touch s'est établi comme un chef de file de l'industrie en changeant la vie de ses clients grâce à des produits et services qui les aident à se sentir mieux, à performer davantage et à être à leur meilleur. Élaborés en collaboration avec des experts du domaine médical et de l'industrie, nous offrons des produits qui allient une technologie brevetée, le savoir-faire et une ergonomie intelligente avec une conception supérieure : le soulagement thérapeutique pour tous.

Nos fauteuils de massage, nos fauteuils inclinables PerfectChair^{MD} et notre gamme de solutions innovantes possèdent tous les mêmes attributs en matière de convivialité, de souci de la performance et de la qualité, en plus d'une conception qui s'adapte à la plupart des modes de vie. Ces qualités sont très appréciées de nos clients et nous méritent de nombreuses reconnaissances et de nombreux prix dans l'industrie. Ainsi, Human Touch permet aux gens de vivre en meilleure santé, avec plus de vitalité, que ce soit au niveau professionnel ou personnel, au quotidien. Alors que de plus en plus de gens prennent conscience des bienfaits du mieux-être, Human Touch élargit son leadership de marque et offre des solutions dont tous peuvent profiter.

humantouch.com

Enregistrez votre produit à www.humantouch.com pour que votre produit figure dans notre système, ce qui simplifiera le processus de la garantie, si jamais vous en aviez besoin.

©2017 Human Touch^{MD}, LLC. Brevets en instance et droits de propriété intellectuelle en vigueur.
Aucune garantie quant aux bénéfices médicaux de ce produit n'est offerte, qu'elle soit expresse ou implicite.
Human Touch est une marque de commerce de Human Touch^{MD}, LLC.

FAUTEUIL human touch[®] GRAVIS ZG

bienvenue chez **human touch**

Quiconque souffre de maux de dos sait à quel point cela est débilitant et difficile à soulager. Le fauteuil Human Touch[®] Gravis ZG combine les avantages thérapeutiques de l'apesanteur avec la technologie de massage à l'air, la chaleur sur différentes zones et le positionnement électrique pour chaque partie du fauteuil. Grâce à des lignes nettes et précises, et un design novateur, Gravis offre un soulagement de la douleur en posture neutre et un contrôle exceptionnel de votre confort.

Les fauteuils Human Touch zero-gravity s'inclinent tout en dorlotant votre dos et en élevant vos jambes au-delà de votre cœur. C'est cette position thérapeutique que les médecins recommandent comme la manière la plus saine de s'asseoir. Alors que le fauteuil s'incline, les muscles commencent immédiatement à se détendre. Lorsque le fauteuil atteint l'apesanteur, il se produit une réduction importante de l'irritation musculaire, ce qui favorise la santé vertébrale et le soulagement des maux de dos.

Appuyés par des millions de dollars et des années de recherche, les produits Human Touch sont les seuls fauteuils thérapeutiques approuvés par la fédération mondiale des chiropraticiens. Afin de bénéficier du plein potentiel de toutes les caractéristiques de votre fauteuil, et afin de vous assurer que vous en faites un usage sécuritaire, lisez ce guide attentivement. Puis, asseyez-vous, relaxez et profitez des nombreux avantages du fauteuil Gravis ZG!

consignes de sécurité

CONSIGNES DE SÉCURITÉ IMPORTANTES

Lorsque vous utilisez un appareil électrique, vous devez toujours suivre les précautions de base suivantes :

Lisez toutes les instructions avant d'utiliser cet appareil.



DANGER: Afin de réduire les risques d'électrocution :

Débranchez toujours cet appareil de l'alimentation électrique dès que vous avez fini de l'employer et avant de le nettoyer.



MISE EN GARDE : Afin de réduire les risques de brûlure, d'incendie, d'électrocution ou de blessure :

- Tenez vos mains et vos doigts éloignés du mécanisme de massage et des rouleaux lorsqu'ils sont en marche. Si vous touchez au mécanisme, les rouleaux risquent de se comprimer et de vous blesser.
- Si le cordon d'alimentation est endommagé, il doit être remplacé par le fabricant, son représentant de service ou un technicien qualifié afin d'éviter tout danger.
- Un appareil ne devrait jamais être laissé sans surveillance lorsqu'il est branché. Débranchez l'appareil de l'alimentation lorsque vous ne l'employez pas et avant d'y insérer ou d'en retirer des pièces.
- Ne faites pas fonctionner cet appareil une couverture ou sous un oreiller. Une surchauffe pourrait survenir et causer un incendie, une électrocution ou des blessures.
- Une surveillance étroite est nécessaire lorsque ce fauteuil est employé près ou par des enfants ou des personnes handicapées. Gardez les enfants à l'abri du repose-pied déployé (ou autres pièces semblables).
- Employez ce fauteuil à ce pour quoi il a été conçu, tel que décrit dans ce guide. Employez uniquement les accessoires recommandés par le fabricant.
- N'employez jamais ce produit si son cordon ou sa fiche d'alimentation sont endommagés, s'il ne fonctionne pas correctement, s'il a été échappé ou endommagé ou s'il a été immergé. Retournez ce fauteuil à un centre de service pour examen et réparation.
- Ne transportez pas cet appareil en tirant sur son cordon d'alimentation. N'utilisez pas le cordon d'alimentation comme une poignée.
- Éloignez toujours le cordon d'alimentation de toute source de chaleur.
- Ne faites jamais fonctionner ce fauteuil si ses trappes d'aération sont obstruées. Maintenez les trappes d'aération exemptes de peluche, de cheveux et de substances semblables.
- N'échappez ni n'insérez jamais aucun objet dans aucune ouverture.
- N'employez pas ce fauteuil à l'extérieur.
- Ne faites pas fonctionner dans un endroit où on utilise des produits à bombe aérosol (vaporisateur) ou dans un endroit où de l'oxygène est administrée.
- Pour débrancher, mettez toutes les commandes à la position O (arrêt) et retirez la fiche de la prise.
- Ne massez aucune partie du corps qui soit enflée, enflammée ou présentant des éruptions.
- Ne massez pas vos jambes si vous souffrez de douleurs idiopathiques.
- N'employez pas cet appareil sur une surface humide ou lorsqu'une partie de votre corps est en contact avec une structure de plomberie ou autre structure similaire.
- N'employez pas ce fauteuil s'il émet un bruit plus élevé que le son normal.
- Ne vous mettez pas debout sur ou dans l'appareil. N'utilisez cet appareil qu'en position assise.
- Cet appareil n'a pas été conçu pour être utilisé par des personnes (incluant les enfants) dont les facultés physiques, sensibles ou mentales sont réduites, ou qui n'ont pas assez d'expérience ou de connaissances, à moins d'être supervisés ou formés quant à l'utilisation de l'appareil par la personne en charge de leur sécurité. Les enfants doivent être surveillés pour veiller à ce qu'ils ne jouent pas avec l'appareil.

Consignes de sécurité

- Nous recommandons le port de vêtements confortables pour l'emploi de ce produit.
- Une position détendue est nécessaire afin de bénéficier des avantages de ce fauteuil. Ne mettez jamais de pression sur aucune partie de votre corps reposant sur le dossier lorsque que les rouleaux sont en mouvement.
- Si vous éprouvez un inconfort anormal lorsque vous employez ce produit, éteignez-le immédiatement et cessez son emploi. Consultez votre médecin.
- Ne vous assoyez pas sur le système de commande.
- Ne tirez pas sur le cordon d'alimentation.
- Si vous employez ce produit après une période de rangement prolongée, vérifiez son bon fonctionnement au préalable.
- Assurez-vous toujours qu'aucun obstacle ne se trouve derrière le fauteuil. Assurez-vous de disposer d'un espace suffisant pour incliner le fauteuil.

CONSERVEZ CE MODE D'EMPLOI

Ne réparez pas ce fauteuil vous-même.

Ce fauteuil est conçu pour un usage personnel au foyer. Tout usage à des fins commerciales annulera la garantie.

Cet appareil est conforme à la Partie 15 du règlement de la FCC.

L'utilisation de l'appareil est assujettie aux deux conditions suivantes : (1) Cet appareil peut causer des interférences nuisibles, et (2) il doit accepter toute interférence reçue, y compris les interférences qui pourraient causer un fonctionnement indésirable.



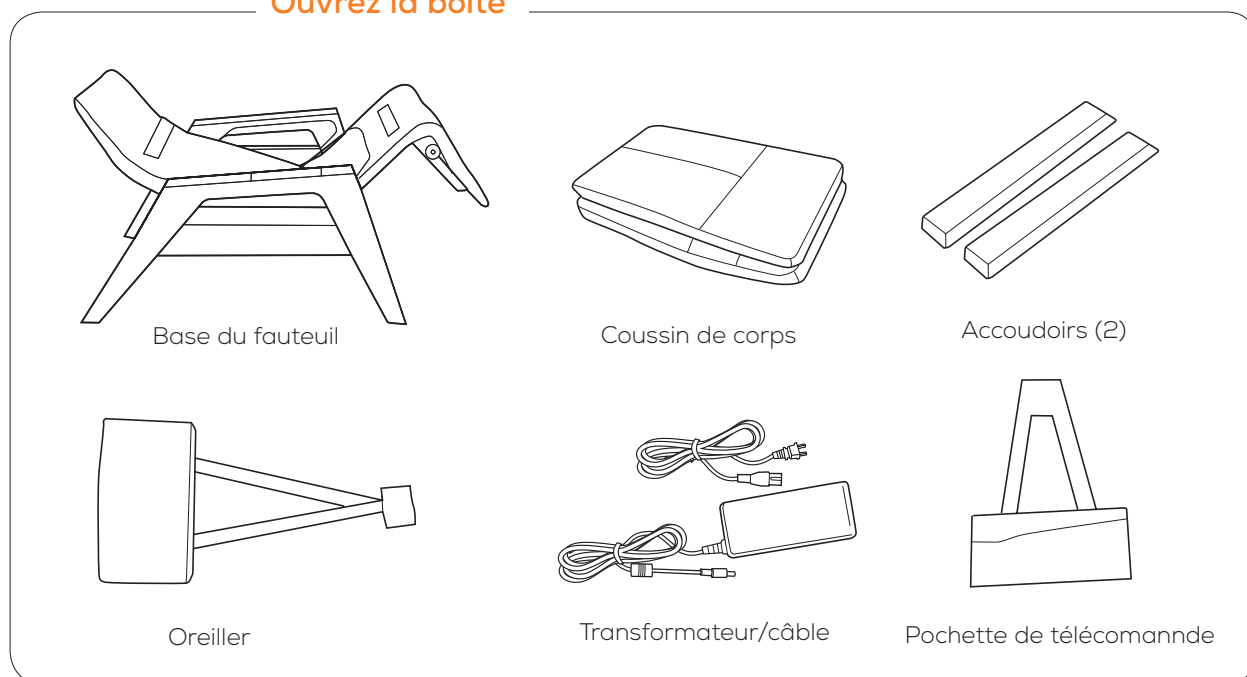
MISE EN GARDE : Les modifications ou altérations apportées à cet appareil qui ne sont pas explicitement approuvées par la partie responsable de la conformité pourraient annuler le droit de l'utilisateur à utiliser l'équipement.



MISE EN GARDE : Ce fauteuil est doté d'un dispositif de réinitialisation thermique de protection. Il s'agit d'une caractéristique de sécurité supplémentaire installée afin de vous protéger contre la surchauffe du fauteuil. Si le fauteuil s'arrête soudainement et que vous ne pouvez le remettre en marche, mettez le bouton d'alimentation générale, situé à l'arrière du fauteuil, à la position d'arrêt. Attendez au moins 30 minutes avant de le remettre en marche. Si vous n'éteignez pas le fauteuil, il pourrait se remettre en marche inopinément une fois le dispositif refroidi.

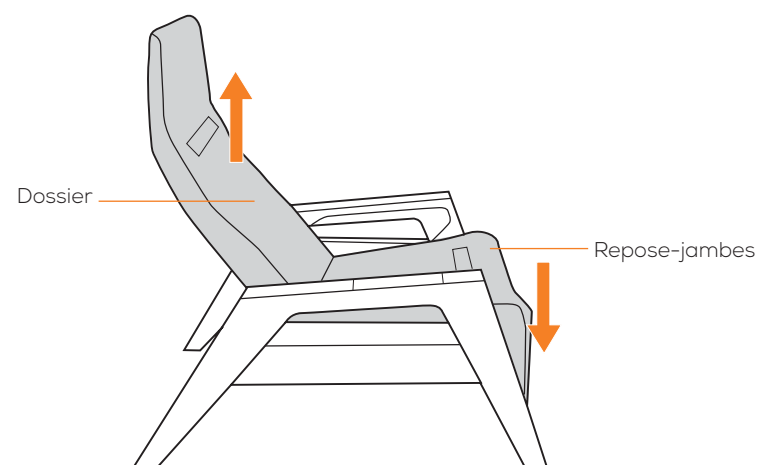
préparez-vous

Ouvrez la boîte



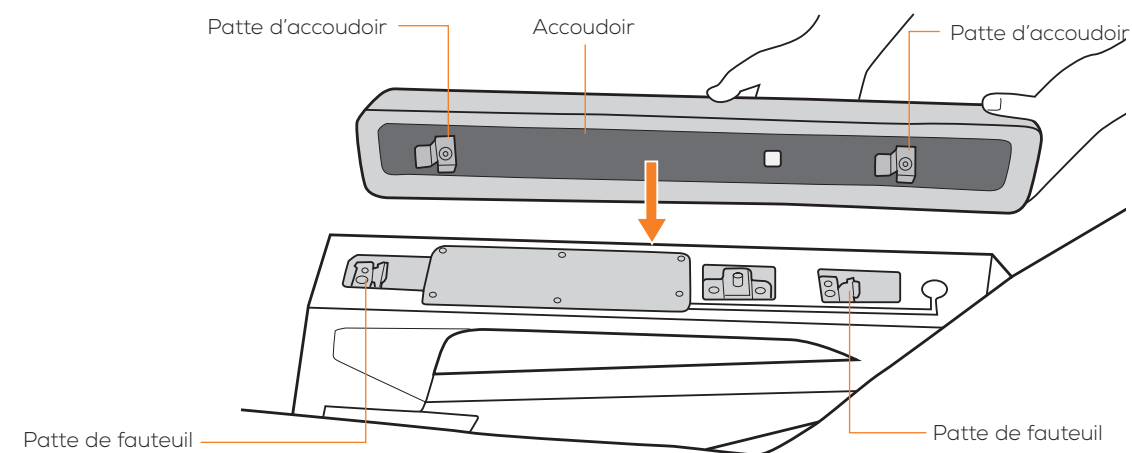
INSTALLER LES ACCOUDOIRS

1. Branchez le fauteuil, puis utilisez les bouton **Back** et **Foot** de la télécommande pour soulever le dossier et abaisser le repose-jambes.

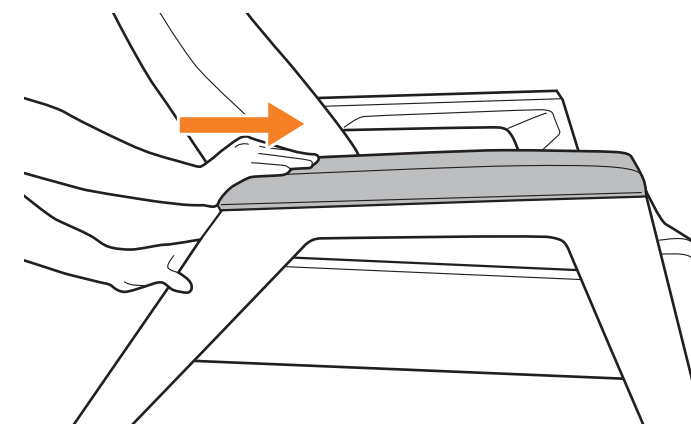


Votre fauteuil Human Touch Gravis ZG nécessite un travail d'assemblage simple. Vous n'avez qu'à fixer les accoudoirs, le coussin de corps, l'oreiller, la pochette de télécommande et voilà!

2. Alignez l'accoudoir, comme illustré ci-dessous, avec les pattes d'accoudoir positionnées à l'arrière des pattes correspondantes sur le bras de fauteuil.



3. Retournez l'accoudoir, abaissez-le sur le bras du fauteuil, puis glissez-le vers l'avant, aussi loin que possible. Le mécanisme de verrouillage s'enclenche en place.



4. Répétez les étapes 2 et 3 pour installer l'autre accoudoir.
5. Tirez vers le haut et l'arrière sur chaque accoudoir pour vous assurer qu'il est verrouillé en place.

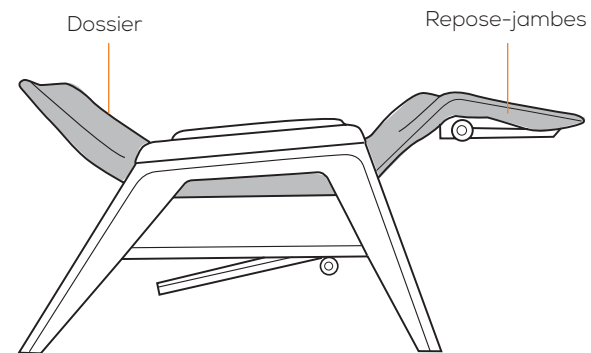
préparez-vous

METTRE LE FAUTEUIL SOUS TENSION

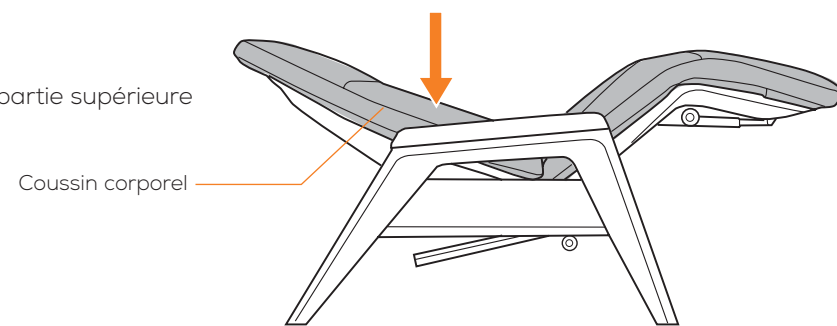
Branchez le fauteuil, asseyez-vous, puis appuyez sur le bouton **Power** de la télécommande. La DEL d'alimentation s'allume pour indiquer que la télécommande est alimentée.

INSTALLER LE COUSSIN DE CORPS

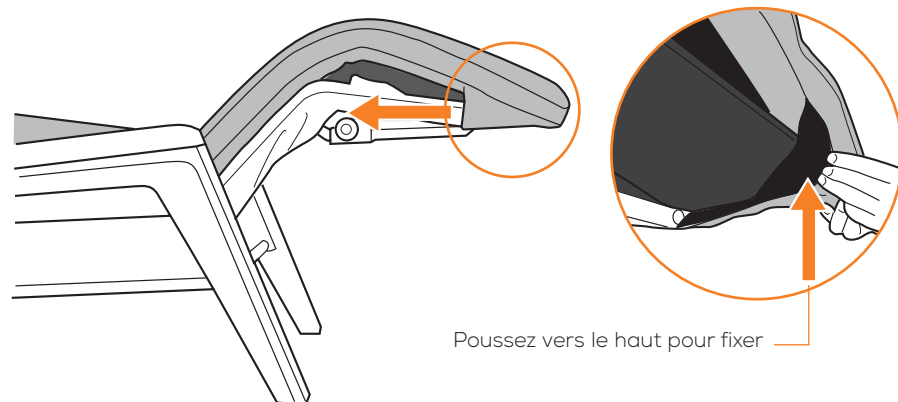
1. Utilisez le bouton de contrôle **ZG** pour incliner le fauteuil en position d'apesanteur.



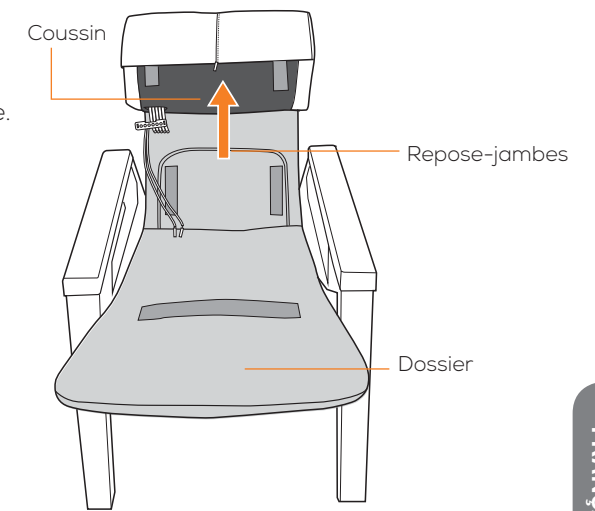
2. Disposez le coussin de corps sur la partie supérieure de la base du fauteuil.



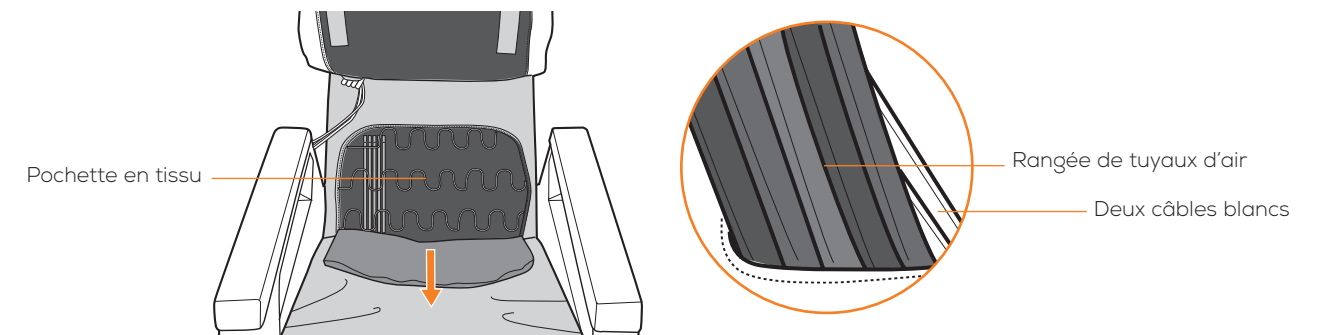
3. Faites glisser le rabat sur la face interne de la partie repose-jambes du coussin par-dessus le cadre du fauteuil, puis tirez le coussin fermement vers l'appuie-tête. Appuyez vers le haut sur les rabats sur la face intérieure des coins de coussin pour fixer le coussin au cadre du fauteuil en utilisant les fixations autoagrippantes.



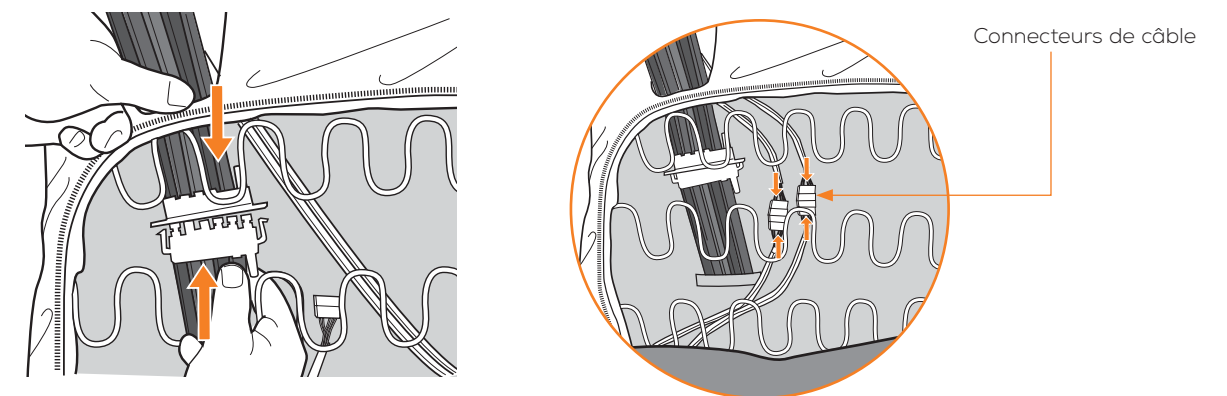
4. Retournez la partie dossier du coussin vers l'avant, sur le siège.



5. Détachez la pochette en tissu, puis enfiler la rangée de tuyaux d'air et les deux câbles blancs dans le trou dans le tissu du fauteuil.

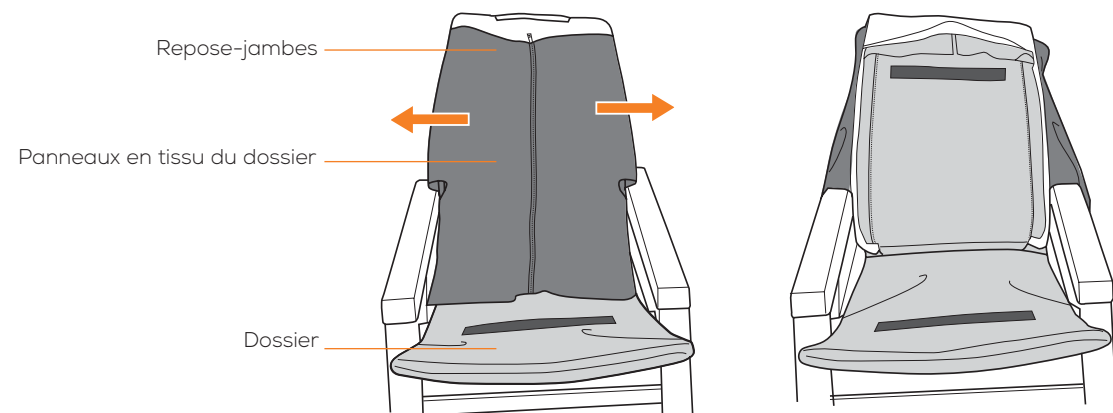


6. Branchez la rangée de tuyaux d'air, puis branchez les deux connecteurs de câble en vous assurant que le câblage est bien positionné derrière les ressorts de siège.

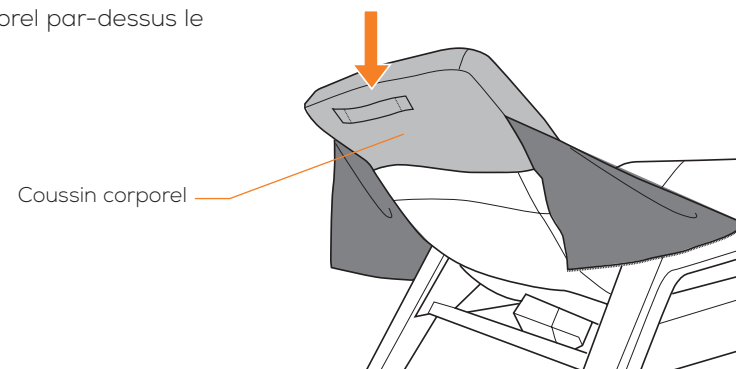


préparez-vous

7. Déplissez le coussin de corps inférieur sur le repose-jambes et le siège, détachez les panneaux en tissu du dossier, puis retournez-les de chaque côté pour les poser à l'écart.

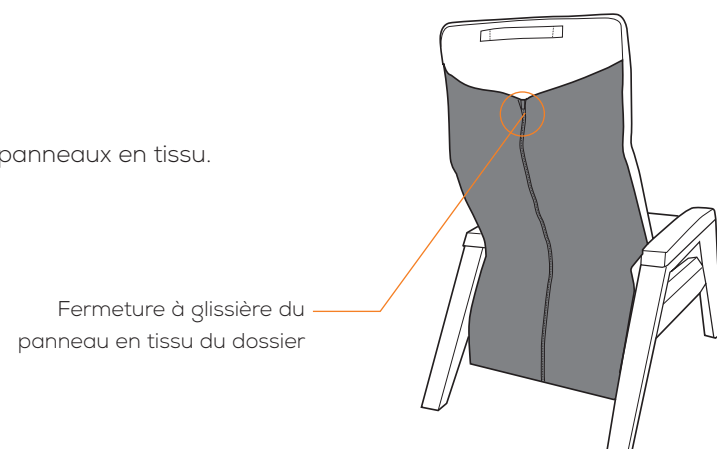


8. Faites glisser le haut du coussin corporel par-dessus le cadre d'appui-tête.

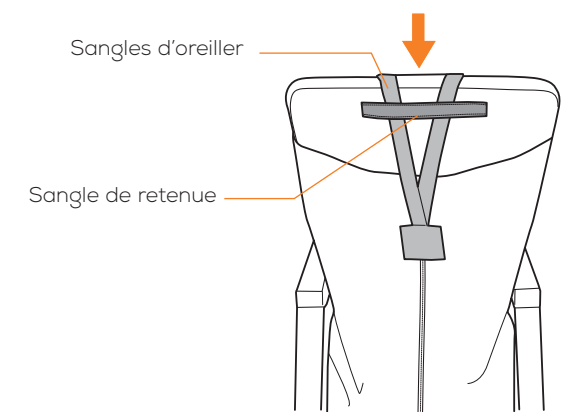


9. Utilisez le bouton **Back** de la télécommande pour soulever le dossier en position relevée.

10. Fermez la fermeture à glissière des panneaux en tissu.

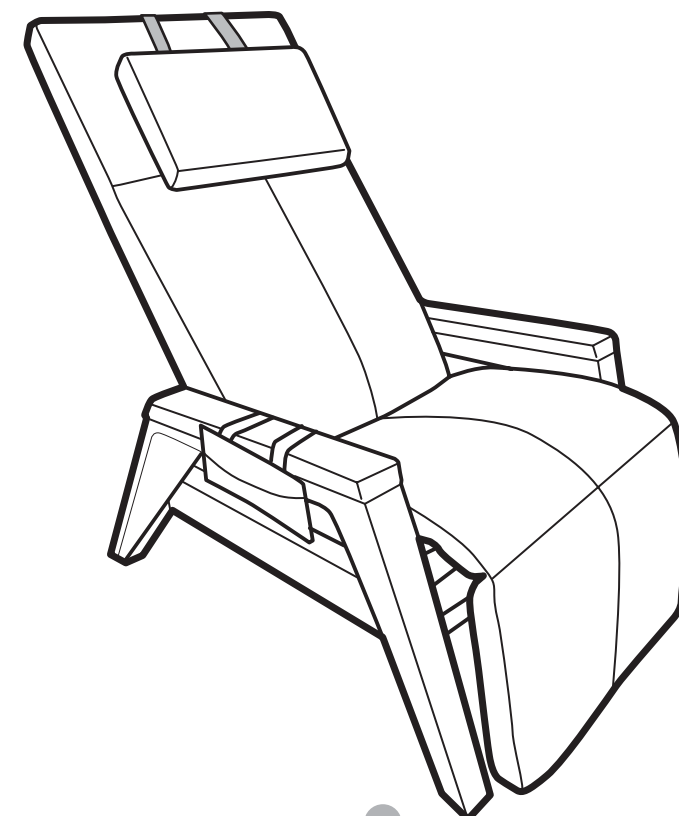
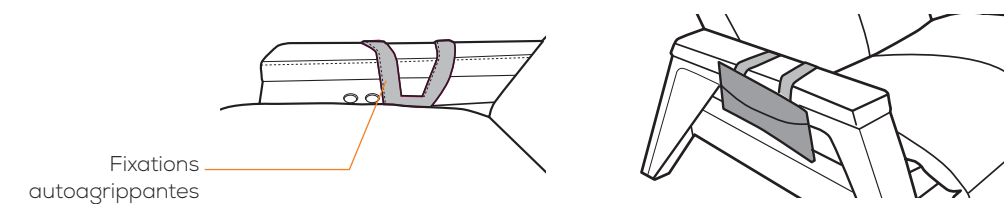


11. Placez l'oreiller en position, puis enfitez les sangles dans la sangle de maintien sur l'arrière de l'appui-tête.



POSER LA POCLETTE DE TÉLÉCOMMANDE

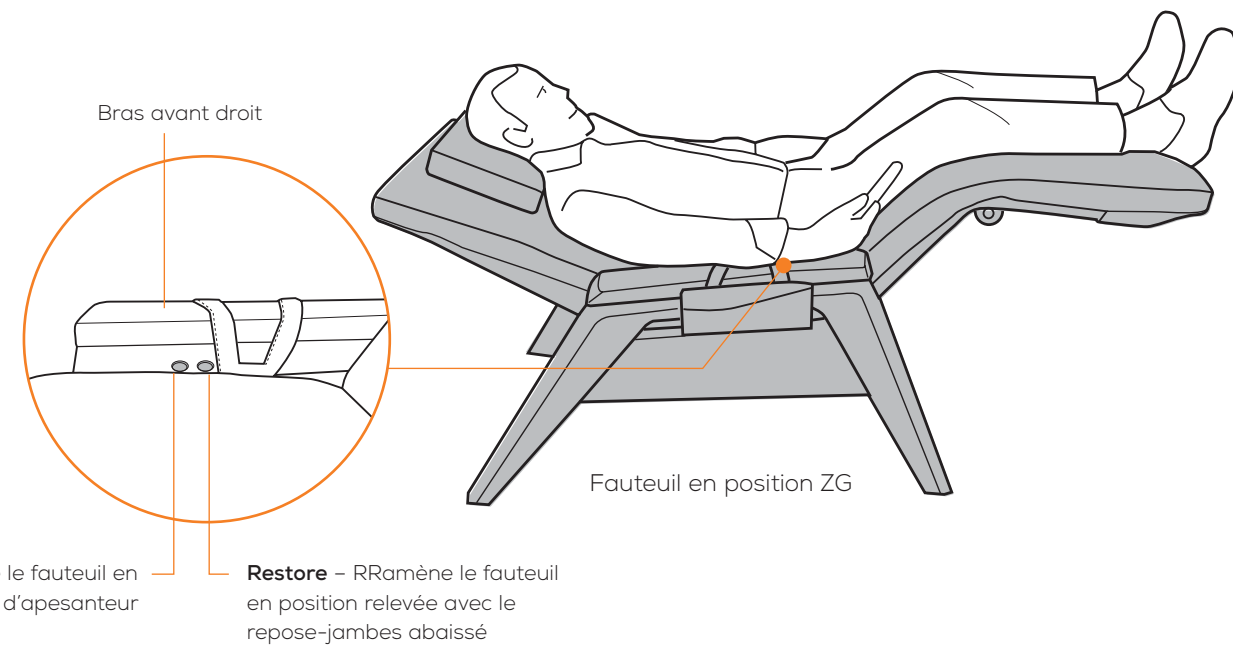
Placez la pochette de télécommande en position sur l'un ou l'autre des accoudoirs, puis fixez-la en utilisant les fixations autoagrippantes.



prenez place

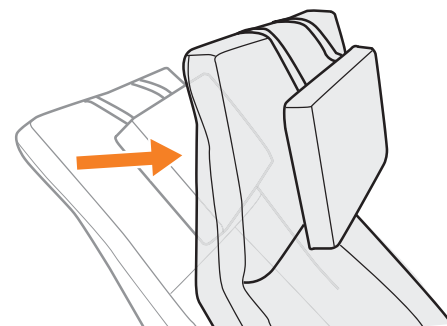
AJUSTER L'ANGLE D'INCLINAISON

Utilisez le bouton **Back** de la télécommande pour incliner dans la position souhaitée, puis utilisez le bouton **Foot** pour ajuster l'angle de repose-jambes. Sinon, appuyez simplement sur le bouton **ZG** de la télécommande ou sur le capteur du bras avant droit pour obtenir automatiquement une inclinaison en position de posture neutre pour un soulagement optimal de la colonne.



AJUSTER L'OREILLER

Utilisez le bouton **Head** pour ajuster l'appui-tête comme souhaité.



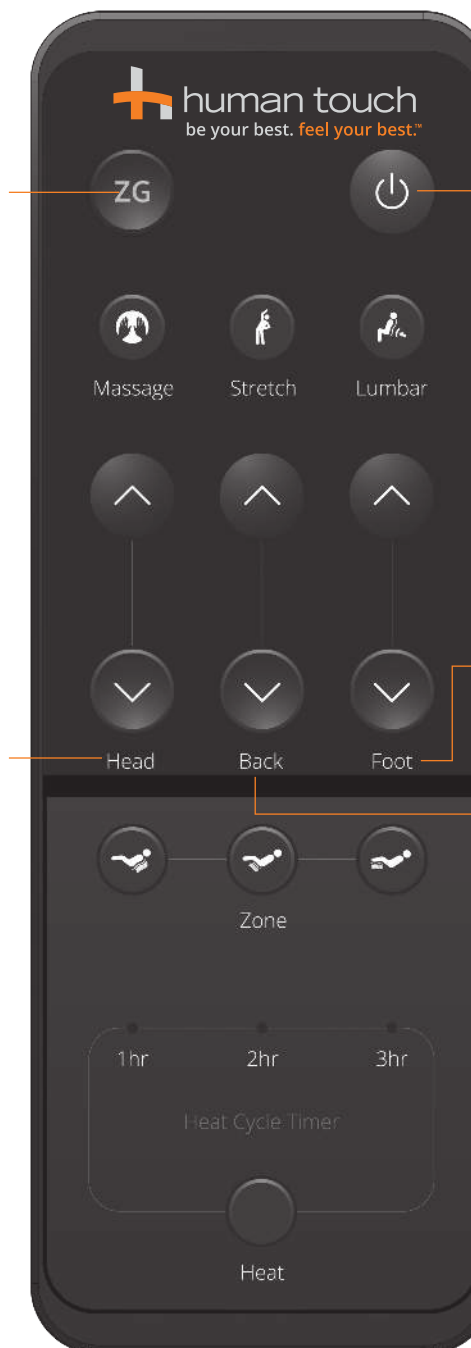
SORTIR DU FAUTEUIL

Pour sortir aisément du fauteuil, appuyez sur le bouton **Power** de la télécommande ou sur le capteur de bras arrière droit pour ramener le fauteuil en position relevée avec le repose-jambes partiellement abaissé. Après s'être assuré qu'il n'y a aucun obstacle sous le repose-jambes, utilisez le bouton **Foot** pour rétracter entièrement le repose-jambes pour faciliter la sortie.

L'utilisation de la fonction d'apesanteur **Human Touch Gravis** est facile. Vous n'avez qu'à vous asseoir et à utiliser le système d'inclinaison électrique de précision pour ajuster le fauteuil à la position souhaitée. Le Gravis vous berce dans le confort de l'apesanteur, avec vos pieds plus haut que votre cœur, l'ultime position neutre pour le soulagement du stress.

ZG – Appuyez et relâchez pour incliner en position d'apesanteur.

Head – Permet d'ajuster la position de l'appui-tête.



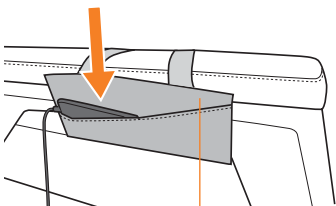
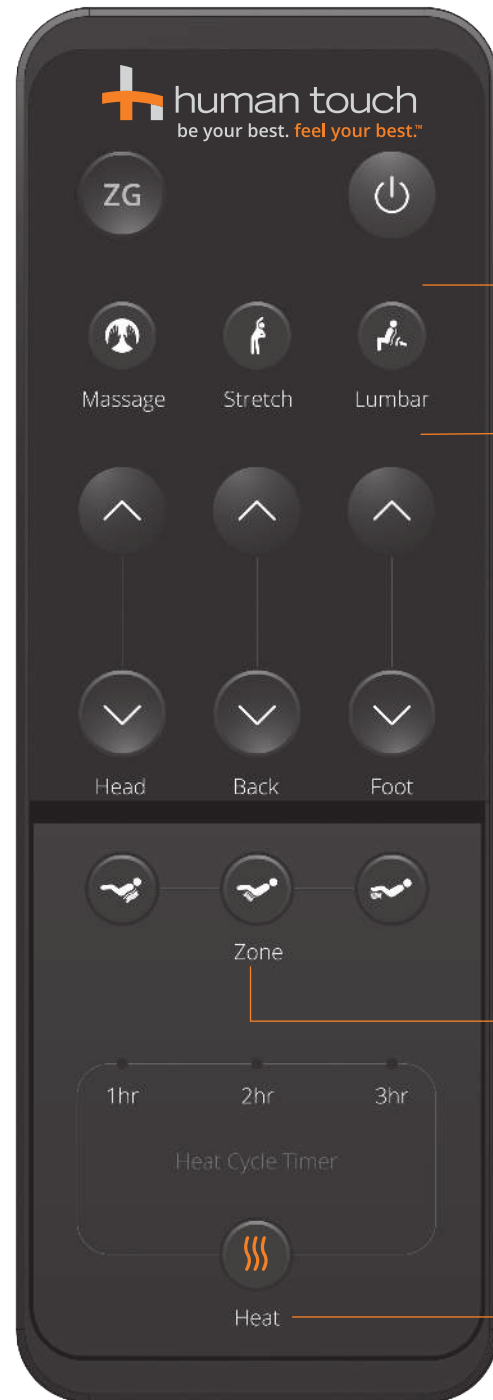
Power – Permet de mettre la télécommande sous et hors tension; lorsque la télécommande est mise hors tension, le fauteuil revient automatiquement en position relevée avec le repose-jambes partiellement abaissé. Après s'être assuré qu'il n'y a aucun obstacle en dessous de l'appui-jambes, utilisez le bouton Back pour rétracter entièrement le repose-jambes pour un accès plus facile.

Foot – Permet d'ajuster la position du repose-jambes.

Back – Permet d'ajuster l'angle d'inclinaison.

prenez les commandes

Maintenant, personnalisez votre massage. Faites votre choix parmi les trois options de massage programmées du système de massage à air Gravis ZG Recliner Wave Therapy pour obtenir un massage relaxant, un étirement vertébral thérapeutique ou un étirement lombaire ciblé. Vous pouvez également ajouter de la chaleur à la zone du dossier, du siège et/ou des jambes. Puis, vous n'avez qu'à fermer les yeux et à vous laisser envahir par un soulagement extatique.






Pochette de télécommande

Lorsque vous ne l'utilisez pas, insérez la télécommande dans la pochette qui lui est destinée.

Heat Zone – Permet d'activer/désactiver la chaleur du dossier, du siège et des jambes, et ce, séparément.

Heat – Permet de choisir la durée souhaitée de la chaleur; la chaleur se désactive automatiquement après la durée sélectionnée.

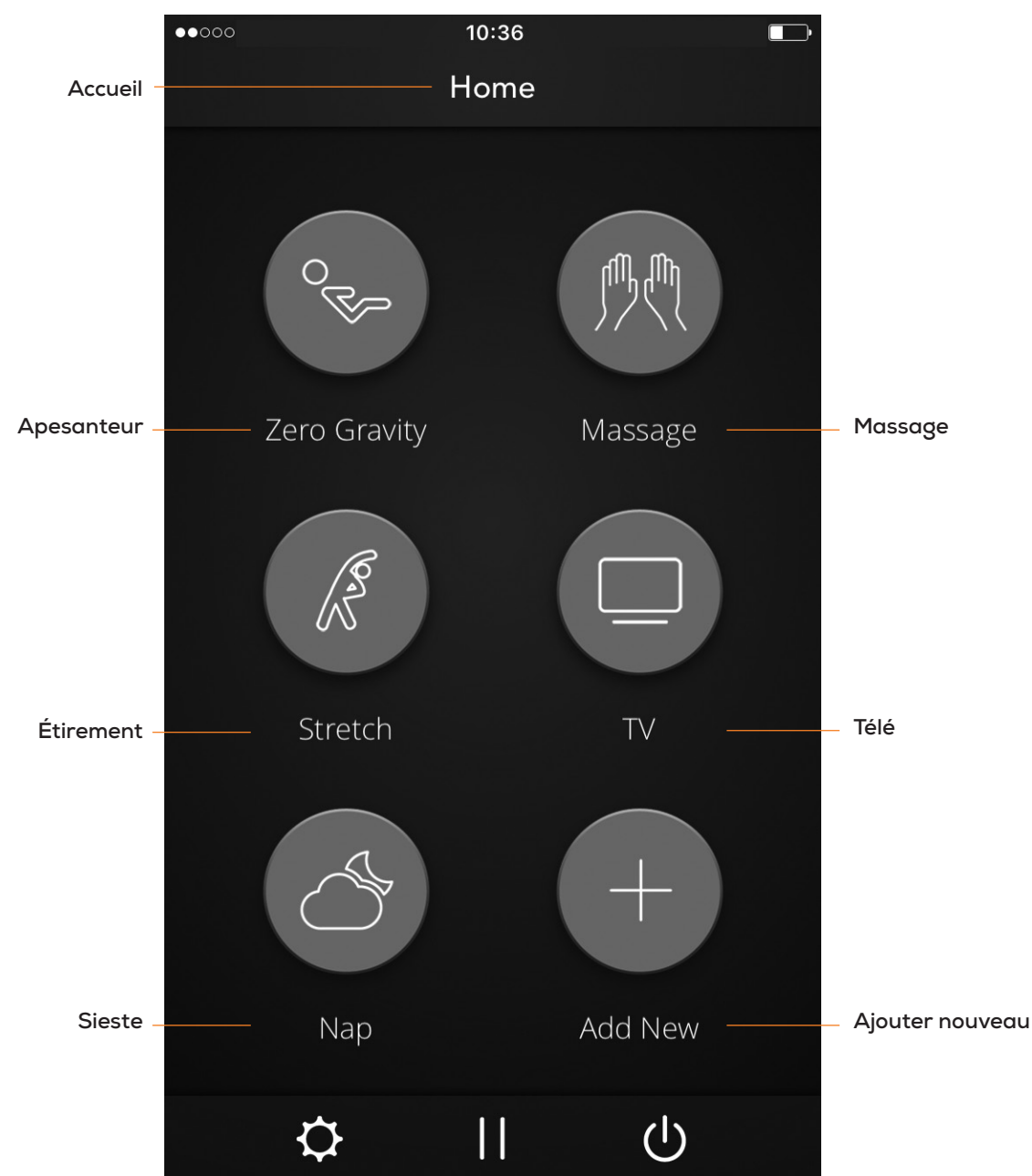
Comprendre les avantages du ciblage

Avantages du ciblage	Ce qu'il fait	Avantages
Massage	Masse votre dos et votre siège simultanément grâce à une thérapie ondulatoire à l'air (air Wave Therapy) apaisante.	 Cette technique libère des tensions et des douleurs en soulevant et en étirant les muscles. Elle améliore la circulation sanguine en apportant les nutriments essentiels à la région de votre colonne vertébrale.
Stretch Étirement	Met l'accent du massage air Wave Therapy sur la zone vertébrale.	 Assouplit les articulations de la région lombaire et libère les pressions de la colonne vertébrale, revigorant tout le dos.
Lumbar	Étire et soutient la zone lombaire de votre dos.	 Fournit un soulagement apaisant des muscles lombaires endoloris.

prenez les commandes

Pour encore plus d'options de personnalisation, y compris des paramètres de mémoire, des positions prédéfinies d'inclinaison pour la télé et la sieste, et des options de position assise intelligente, téléchargez l'application Gravis

ZG sur  ou 




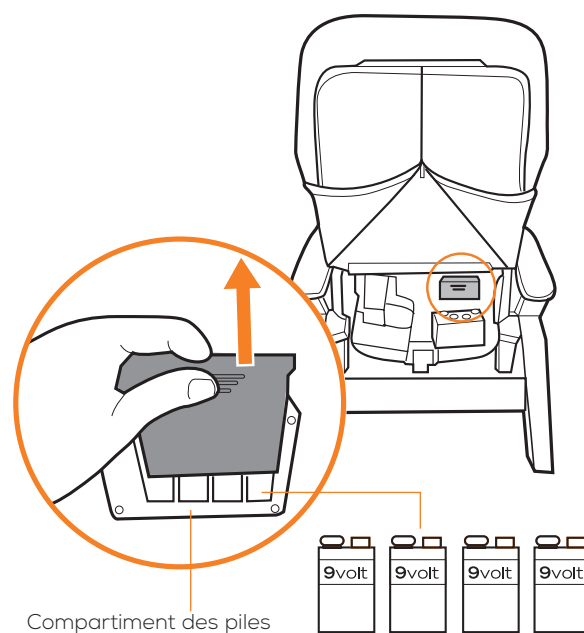
L'APPLICATION GRAVIS ZG OFFRE TOUTES LES MÊMES FONCTIONS QU'UNE TÉLÉCOMMANDE ET PLUSIEURS AUTRES OPTIONS SUPPLÉMENTAIRES :

Smart Motion (mouvement intelligent)	De légers mouvements subtils du fauteuil vous laissent savoir lorsque vous êtes assis dans une position depuis trop longtemps - vous pouvez choisir des intervalles variant de 10 à 60 minutes.
Smart Sitting (position assise intelligente)	Permet de vous réveiller lorsque vous le souhaitez en faisant revenir le fauteuil en position relevée - vous pouvez choisir des intervalles variant de une à huit heures.
Memory Settings (réglages mémoire)	Permet de configurer tous les réglages du fauteuil comme vous le souhaitez. Vous pourrez ensuite enregistrer vos sélections pour un rappel facile avec une touche. Mémoire jusqu'à neuf de vos combinaisons favorites.
Plusieurs langues	Vous pouvez choisir entre l'anglais, le chinois, l'espagnol ou le coréen.
Référence rapide	Permet d'afficher le manuel d'utilisation et d'entretien.
Positionnement mémorisé supplémentaire sur une touche	Choisissez la position prédéfinie pour la télé ou la sieste.
Soutien lombaire personnalisé	Permet de configurer l'extension lombaire à 0, 1 (2 cm), 2 (5 cm), 3 (6 cm), 4 (8 cm), ou 5 (9 cm).
Réglages supplémentaires de la chaleur	Permet de régler la chaleur à une température élevée ou basse, et de définir la minuterie selon des intervalles d'une demi-heure, jusqu'à six heures.
Minuterie de massage	Permet de définir la durée du massage à l'air de 15 à 30 minutes.

CARACTÉRISTIQUE DE SÉCURITÉ HUMAN TOUCH : BATTERIE DE SECOURS

Votre fauteuil Gravis ZG dispose d'un système de secours à pile intégré pour assurer que vous pouvez incliner le fauteuil et en sortir si une panne de courant se produit. Le système de secours à pile utilise quatre piles 9 V courantes (non incluses). Assurez-vous de noter la date d'installation des piles ainsi que la date d'expiration de ces dernières. Remplacez les piles avant la date d'expiration ou au moins une fois par année pour vous assurer que le système de secours à pile est fonctionnel.

IMPORTANT : Pour utiliser le système de secours intégré à pile pour incliner et sortir du fauteuil pendant une panne d'électricité, utilisez le bouton **Back**  pour ramener automatiquement le fauteuil en position relevée.



IMPORTANT: Les piles ne peuvent être utilisées qu'**UNE SEULE FOIS**; si vous avez utilisé le système de secours à pile, remplacez immédiatement les piles. Si vous débranchez le fauteuil pendant une période supérieure à une heure, retirez les piles du système de secours à pile pour éviter qu'elles ne s'épuisent.

Fiche technique*

Tension de fonctionnement :	110 à 120 volts CA, 60 Hz
Consommation d'énergie :	48 Watts
Dimensions du fauteuil (incliné) :	170 cm Lon. x 76 cm Lar. x 79 cm Hau.
Poids du produit :	54,9 kg.
Dégagement d'inclinaison requis :	7,62 cm
Poids de charge maximal :	181,4 kg.

*La fiche technique est sujette à modifications sans préavis.

soin et entretien

Afin de vous assurer que votre fauteuil fonctionne bien et qu'il conserve une belle apparence, veuillez suivre ces consignes faciles d'entretien.

⚠ MISE EN GARDE :

1. Assurez-vous de débrancher le cordon d'alimentation de la prise murale avant le nettoyage.
2. Nettoyer le boîtier de commande et l'interrupteur à l'aide d'un linge sec seulement. Ne nettoyez jamais le système de commande ou le bouton d'alimentation à l'aide d'un linge humide.
3. Avant de procéder au nettoyage de toute la surface du produit à l'aide d'une solution nettoyante, veillez à en faire l'essai sur une petite portion camouflée du produit afin de vous assurer qu'elle n'entraîne pas de décoloration.
4. N'utilisez pas de benzène, de diluant ou de solvant pour nettoyer le produit.

Norme de nettoyage : W

Pour maintenir votre produit Human Touch en état optimal, époussetez-le fréquemment ou passez-y l'aspirateur à l'aide d'une brosse douce. On peut également brosser les produits SoftSuede^{MD} à l'aide d'une brosse pour le suède. Seuls les nettoyeurs à l'eau pour meubles conviennent au nettoyage de ce produit. Pour traiter les taches, appliquez localement un shampoing pour meubles ou un détergent moussieux doux.

Le cuir naturel est un matériau poreux perméable à l'air similaire à la peau humaine et il pourrait changer de couleur en raison de l'absorption de saletés, de sueur, d'humidité, de graisses et d'huiles. Il est important d'éviter ou de minimiser le contact avec la peau nue et les cheveux, ainsi qu'avec les aliments, car ceux-ci pourraient causer une décoloration, plus particulièrement avec les couleurs de cuir plus claires. Il est possible d'obtenir une certaine immunité contre la décoloration et une protection contre le fendillement et la sécheresse en appliquant régulièrement sur la totalité de la surface en cuir de la cire d'abeille, du savon pour cuir ou du conditionneur pour cuir naturel provenant d'un fournisseur réputé (suivre les instructions d'application avec soin).

Entretien et réparation :

1. La mécanique de ce fauteuil a été conçue et construite afin de ne nécessiter aucun entretien. Aucune lubrification ni entretien périodique ne sont nécessaires.
2. Votre fauteuil ne doit être réparé que par un centre de service agréé.

Environnement d'utilisation et de rangement :

1. Lorsque le fauteuil ne doit pas être employé sur une longue période, nous vous recommandons d'enrouler le cordon d'alimentation et de placer le fauteuil dans un endroit exempt de poussière et d'humidité
2. Ne le rangez près d'une flamme ou d'une source de chaleur.
3. N'exposez pas cet appareil aux rayons directs du soleil sur une longue période. Cela pourrait le décolorer ou l'endommager.
4. N'utilisez pas et ne rangez pas votre fauteuil dans des températures extrêmes. Les produits rangés au froid peuvent devoir attendre 48 heures à la température de la pièce avant de bien fonctionner.
5. Le produit doit être utilisé et rangé dans un milieu où le taux d'humidité relative sans condensation varie de 10 % à 80 %. Trop d'humidité endommagera la mécanique.



humantouch.com
800.355.2762



manual de uso y
cuidado

Registre su producto **EN LÍNEA** hoy

www.humantouch.com/register

Registre su producto **EN LÍNEA** hoy

www.humantouch.com/register



Durante más de 35 años, Human Touch se ha establecido como líder de la industria que cambia las vidas de sus clientes con productos y servicios que los ayudan a sentirse, desempeñarse y vivir en la mejor manera posible. Ofrecemos productos desarrollados en colaboración con la comunidad médica y expertos de la industria, productos que combinan tecnología patentada, artesanía y ergonomía inteligente con un diseño superior para ofrecer alivio terapéutico para todos.

Nuestras sillas de masaje, sillas reclinables Perfect Chair® y un conjunto de soluciones innovadoras en evolución, líderes de la industria, comparten los atributos de facilidad de uso, atención al rendimiento y calidad, y diseño para adaptarse a casi cualquier estilo de vida. Estos atributos son muy apreciados por nuestros clientes y obtienen premios y el reconocimiento de toda la industria. Como resultado, Human Touch permite a la gente a disfrutar de una mayor salud y vitalidad en sus profesiones, actividades y vida cotidiana. Y con una población cada vez más consciente de los beneficios del bienestar, Human Touch extiende su liderazgo de marca y soluciones disponibles para el beneficio de todos.

humantouch.com

Registre su producto en www.humantouch.com para garantizar que su producto esté en nuestro sistema y simplificar el proceso de garantía, en caso de que la necesite.

SILLA human touch® **GRAVIS ZG**

Le damos la bienvenida a human touch®

Una persona con dolor de espalda sabe qué agotador puede ser y lo difícil que es encontrar alivio. La silla Human Touch® Gravis ZG combina los beneficios terapéuticos de la gravedad cero con la tecnología del masaje de aire, calor en múltiples zonas y posición potenciada para cada parte de la silla. Con líneas bien definidas y diseño innovador, Gravis ofrece tanto alivio al dolor postural como un control excepcional de su comodidad..

Las sillas de gravedad cero Human Touch se reclinan posicionando su espalda y elevando sus piernas por encima de su corazón. Es esta posición terapéutica que los médicos recomiendan como la forma más saludable de sentarse. A medida que la silla se reclina, los músculos comienzan a relajarse inmediatamente. Cuando la silla alcanza la gravedad cero, hay una reducción importante de la irritación muscular, que promueve la salud de la columna y el alivio del dolor de espalda.

Con el respaldo de millones de dólares y años de investigación, los productos Human Touch son las únicas sillas terapéuticas avaladas por la Federación Mundial de Quiroprácticos. Para garantizar que no olvide ninguna de sus funciones y que la utilizará en forma segura, lea este manual detenidamente. ¡Luego siéntese, relájese y disfrute de los muchos beneficios de la silla Gravis ZG!

manténgala en forma segura

INSTRUCCIONES DE SEGURIDAD IMPORTANTES

Cuando utilice un artefacto eléctrico, debe tener siempre precauciones especiales, incluidas las siguientes:

Lea todas las instrucciones antes de usar este artefacto.

⚠ PELIGRO: Para reducir el riesgo de sacudida eléctrica: Desconecte siempre este producto del tomacorriente inmediatamente después de usarlo y antes de limpiarlo.

⚠ ADVERTENCIA: Para reducir el riesgo de quemaduras, incendio, sacudida eléctrica o lesiones personales:

- No coloque las manos ni los dedos cerca del mecanismo de masaje, ni de los rodillos mientras este producto esté en funcionamiento. Tocar el mecanismo puede producir lesiones causadas por los rodillos que producen un efecto de compresión.
- Si el cable de alimentación está deteriorado, el fabricante, su agente de servicio o una persona calificada similar debe reemplazarlo para evitar peligros.
- Un artefacto nunca debe dejarse desatendido mientras esté conectado. Cuando no esté en uso, desconéctelo del tomacorriente antes de colocarlo o retirarlo piezas.
- No lo ponga en funcionamiento bajo una sábana o cojín. Puede ocurrir el calentamiento excesivo y producir un incendio, sacudida eléctrica o lesiones personales.
- Se requiere su supervisión muy de cerca cuando este artefacto es utilizado por, con o cerca de niños, personas inválidas o discapacitadas. Mantenga a los niños retirados del apoyapiés cuando esté extendido (o de otras piezas similares).
- Utilice este producto solamente para el uso que se describe en este manual. No utilice conexiones no recomendadas por el fabricante.
- Nunca haga funcionar este artefacto si tiene un cable o enchufe dañado, si no funciona correctamente, si se ha caído o deteriorado, o si ha caído en el agua. Devuelva este producto a un centro de servicio para su revisión y reparación.
- No hale este artefacto por el cable de alimentación, ni utilice el cable como mango.
- Mantenga siempre el cable de alimentación alejado de superficies calientes.
- Nunca haga funcionar este artefacto con los orificios de ventilación obstruidos. Mantenga los orificios de ventilación libres de pelusa, cabellos y cosas por el estilo.
- Nunca deje caer ni introduzca objetos en ningún orificio o abertura.
- No se utilice en exteriores.
- No se utilice en lugares donde se empleen productos en aerosol (spray) o donde se administre oxígeno.
- Para desconectarlo, apague todos los controles colocándolos en posición OFF y luego retire el enchufe del tomacorriente.
- No masajee ninguna zona del cuerpo que esté hinchada, inflamada o cubierta con erupciones.
- No se utilice si presenta dolor en las pantorrillas de causa desconocida.
- No utilice este producto sobre el piso húmedo o mientras alguna parte del cuerpo esté en contacto con tuberías o tomas de tierra similares.
- No use este producto si escucha ruido más fuerte del sonido normal.
- No se ponga de pie sobre el artefacto. Úselo solamente sentado.
- Este artefacto no está destinado para personas (incluidos niños) con discapacidades físicas, sensoriales o mentales, o sin experiencia y conocimientos para el uso de este producto, a menos que la persona responsable por su seguridad le haya instruido o supervisado en el uso de este artefacto. Se debe supervisar a los niños muy de cerca para asegurarse de que no jueguen con este artefacto.

Precauciones de seguridad

- Se recomienda usar ropa cómoda mientras se utiliza este producto.
- Este producto ha sido diseñado para usarlo en posición relajada. Nunca fuerce ninguna parte del cuerpo hacia el área del espaldar mientras los rodillos estén en movimiento.
- Si siente alguna molestia anormal durante el funcionamiento de este producto, apague la alimentación eléctrica de inmediato y no utilice este producto. Consulte a su médico.
- No se sienta sobre el control.
- No hale el cable de CA.
- Cuando utilice este producto después de haberse mantenido almacenado, compruebe que funciona debidamente antes usarlo.
- Compruebe siempre que no haya obstáculos detrás del producto y que haya espacio suficiente para reclinarlo.

CONSERVE ESTAS INSTRUCCIONES

No intente reparar este producto usted mismo. Este producto está diseñado para uso personal en casa. Su uso comercial anula la garantía.

Este dispositivo cumple con la Parte 15 de las Reglas de la Comisión Federal de Comunicaciones (Federal Communications Commission, FCC).

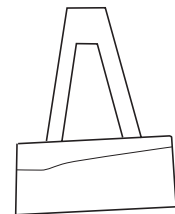
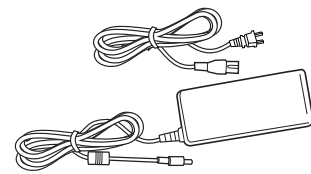
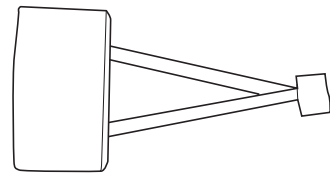
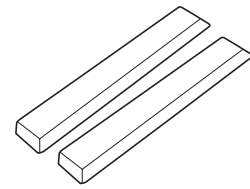
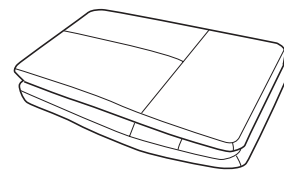
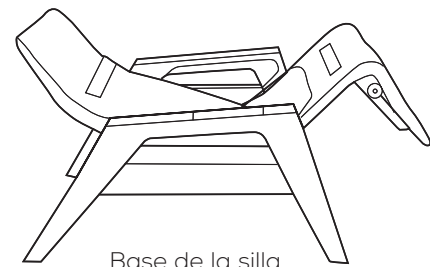
El funcionamiento está sujeto a las dos condiciones siguientes: (1) Este dispositivo no puede causar interferencias perjudiciales, y (2) este dispositivo debe aceptar cualquier interferencia recibida, incluidas interferencias que puedan causar un funcionamiento no deseado.

⚠ ADVERTENCIA: Los cambios o modificaciones a esta unidad no aprobados expresamente por la parte responsable del cumplimiento podrían anular la autoridad del usuario para operar el equipo.

⚠ ADVERTENCIA: Este producto está equipado con un protector térmico de restablecimiento. Es una característica de seguridad adicional para protegerle a usted y al producto contra el recalentamiento. Si el producto se detiene repentinamente y no arranca, coloque el interruptor principal ubicado en la parte posterior del producto en posición de apagado (Off) y no ponga el producto en funcionamiento al menos durante 30 minutos. Si no apaga el producto, el producto puede reiniciar el funcionamiento de repente mientras se enfría.

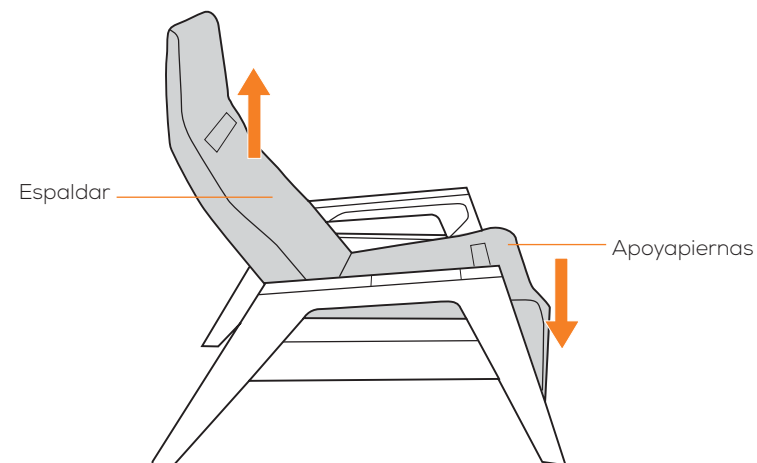
prepárese

Desenvuelva el producto



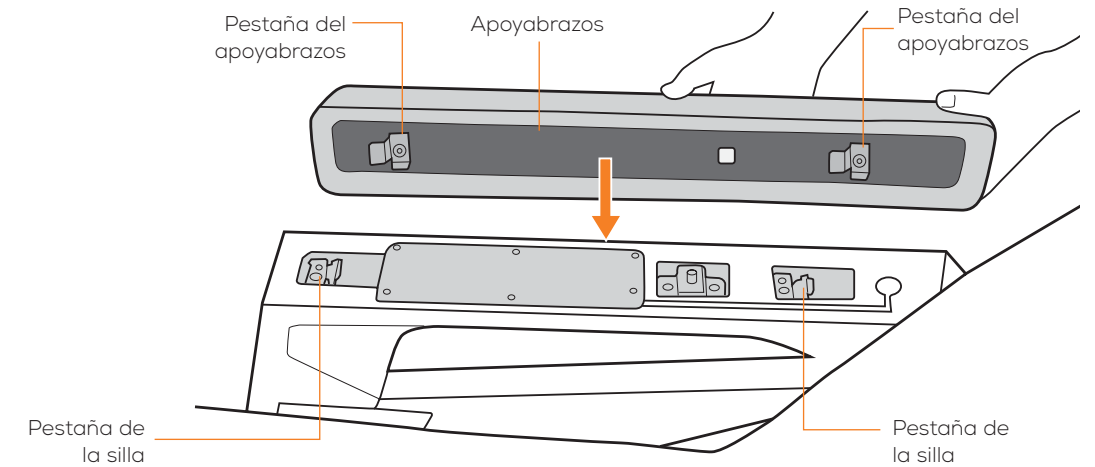
INSTALE LOS APOYABRAZOS

1. Conecte la silla, use los botones **Back** (Atrás) y **Foot** (Pie) del control remoto para levantar el espaldar en posición vertical y bajar el apoyapiernas.

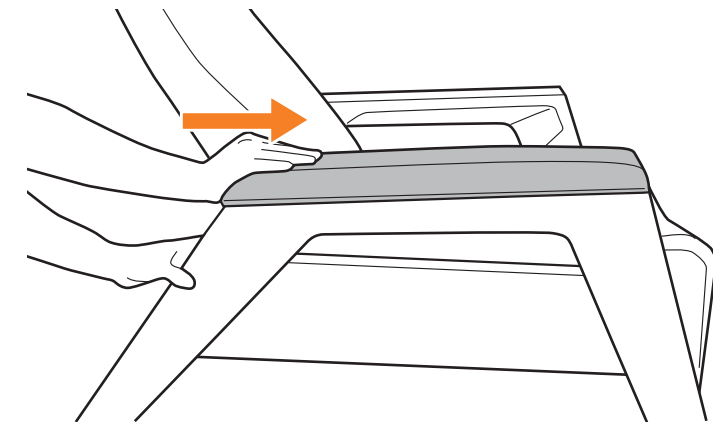


La silla **Human Touch Gravis ZG** requiere una instalación sencilla. Solo coloque los apoyabrazos, la almohadilla del cuerpo, el cojín de la cabeza, el bolsillo del control remoto, ¡y listo!

2. Alinee el apoyabrazos como se muestra a continuación, con las pestañas del apoyabrazos colocadas hacia la parte posterior de sus pestañas correspondientes en el brazo de la silla.



3. Voltee el apoyabrazos, descíndalo sobre el brazo de la silla, luego deslícelo hacia delante en toda su extensión. El mecanismo de bloqueo se fija en posición.



4. Repita los pasos 2 y 3 para instalar el otro apoyabrazos.

5. Pull up and backward on each armrest to make sure it is locked into place.

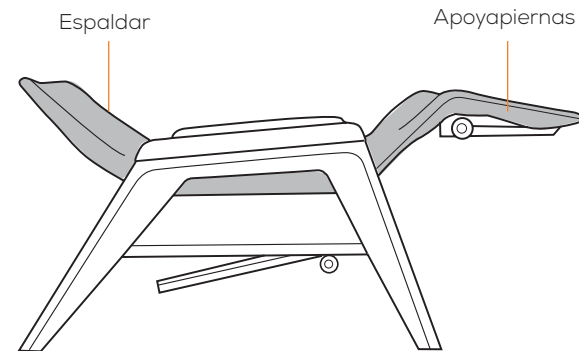
prepárese

ENCIENDA LA SILLA

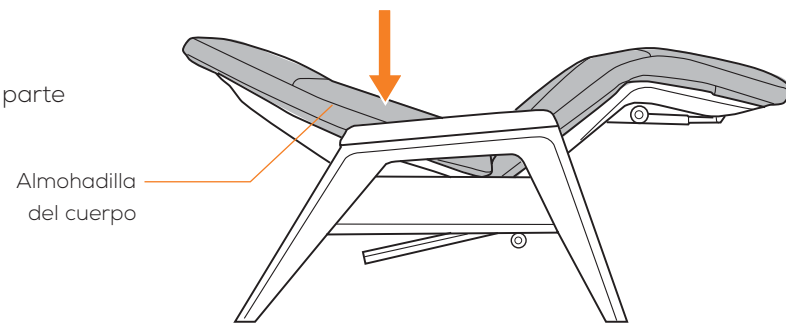
Conecte la silla, tome asiento, presione el botón **Power** (Encendido) del control remoto. Las luces indicadoras LED de encendido de la silla se iluminan para confirmar que la silla está recibiendo electricidad.

INSTALE LA ALMOHADILLA DEL CUERPO

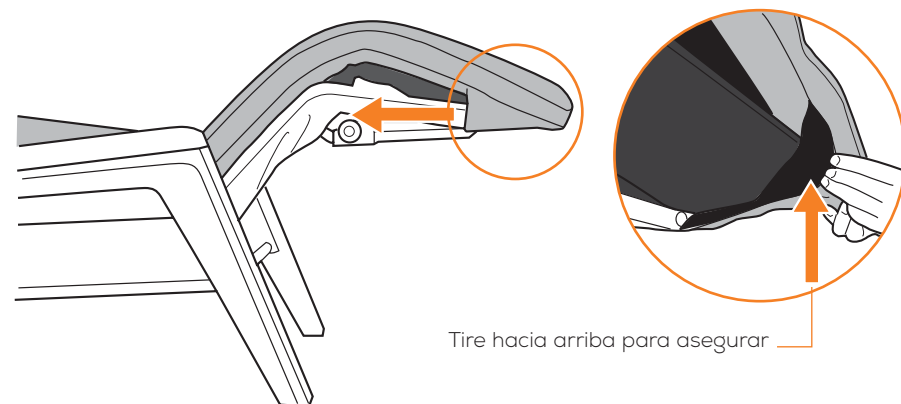
1. Use el botón **ZG** del control para reclinar la silla a la posición de gravedad cero.



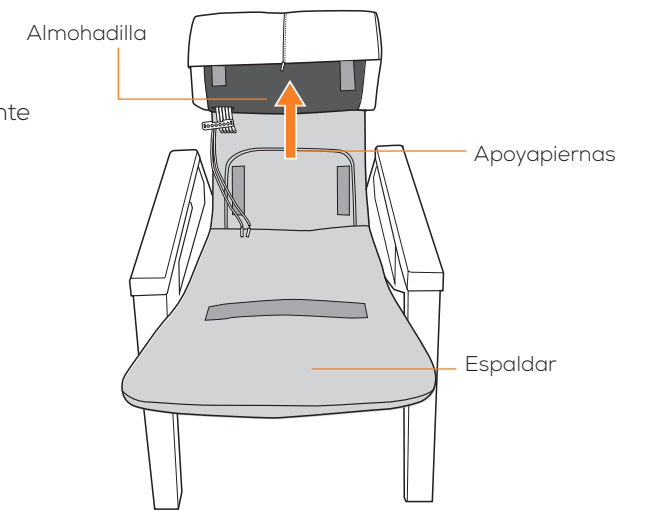
2. Coloque la almohadilla del cuerpo en la parte superior de la base de la silla.



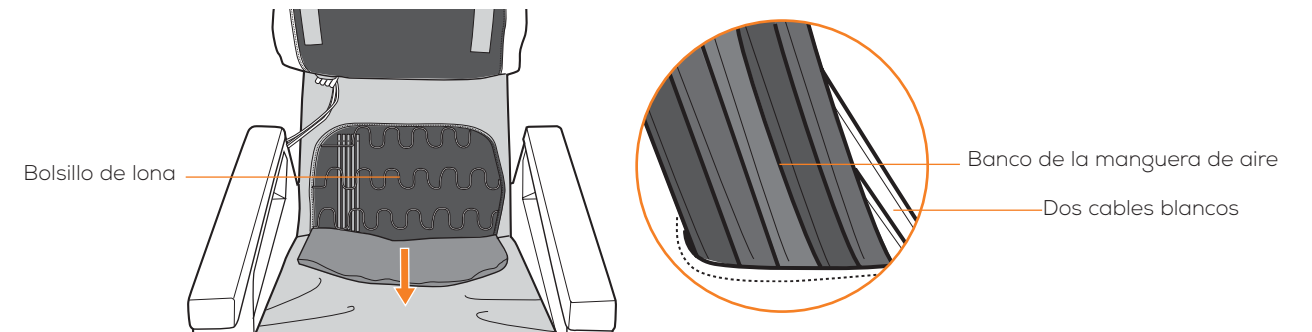
3. Deslice la aleta en la parte inferior de la sección del apoyapiernas de la almohadilla sobre la estructura de la silla, luego hale la almohadilla con firmeza hacia el apoyacabezas. Presione hacia arriba las aletas en la parte inferior de las esquinas de la almohadilla para asegurar la almohadilla a la estructura de la silla mediante los cierres mágicos.



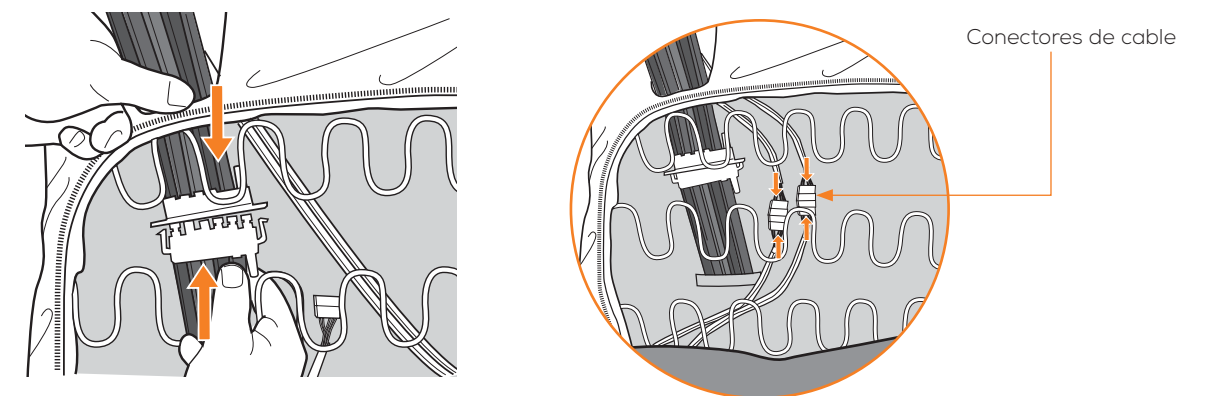
4. Lleve la parte del espaldar de la almohadilla hacia delante sobre el asiento.



5. Abra la cremallera del bolsillo de lona, luego pase el banco de la manguera de aire y los dos cables blancos por el orificio de la lona de la silla.

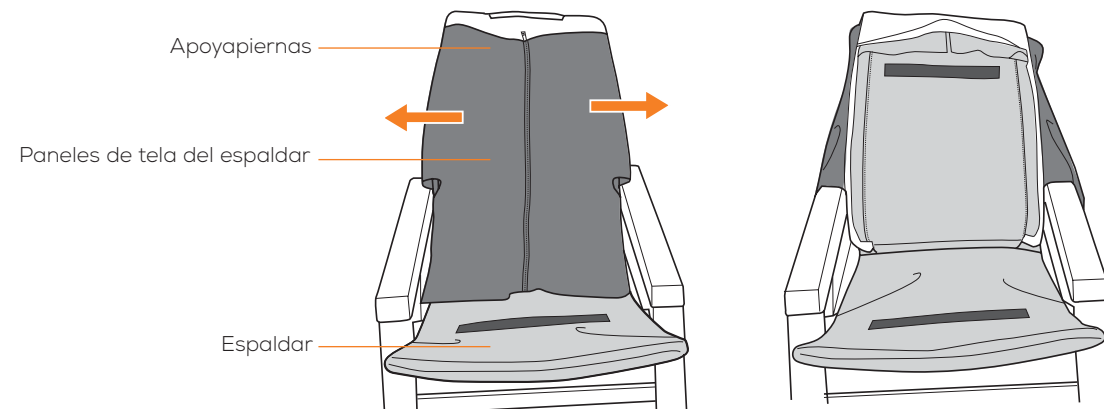


6. Conecte el banco de la manguera de aire y luego conecte los dos conectores de cable; cerciúrese de que los cables estén colocados por detrás de los resortes.

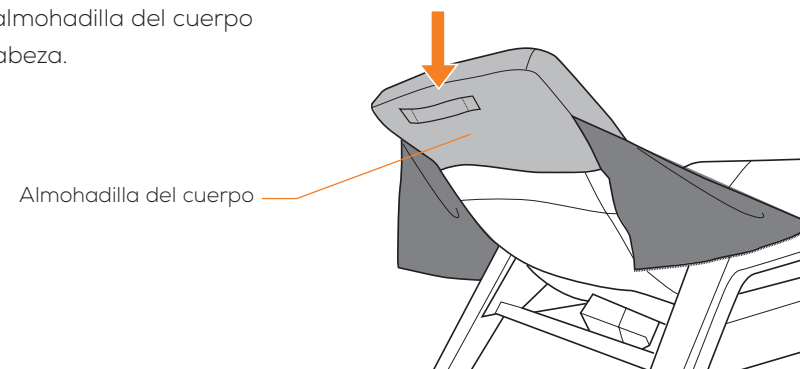


prepárese

7. Lleve la almohadilla inferior del cuerpo hacia abajo sobre el apoyapiernas y el asiento; abra la cremallera de los paneles de tela del espaldar, luego dóblelos para apartarlos a cada lado.

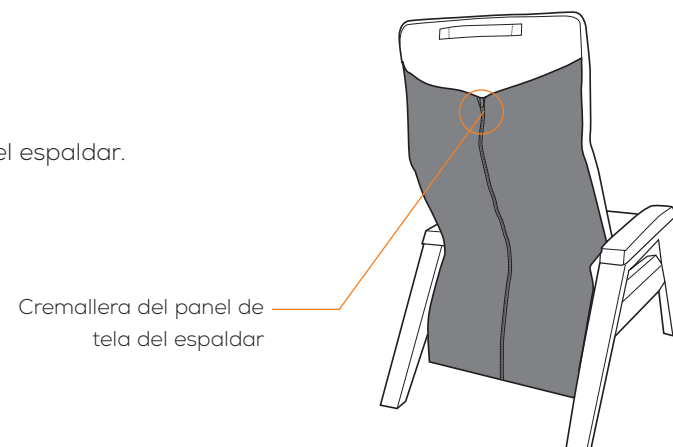


8. Deslice la parte superior de la almohadilla del cuerpo sobre la estructura del apoyacabeza.

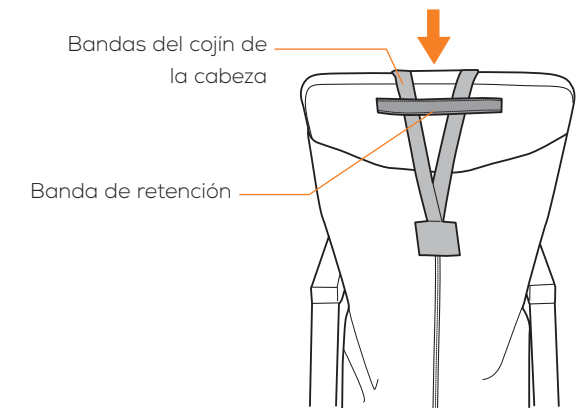


9. Use el botón **Back** (Atrás) del control remoto para levantar el espaldar en posición vertical.

10. Cierre la cremallera del panel de tela del espaldar.

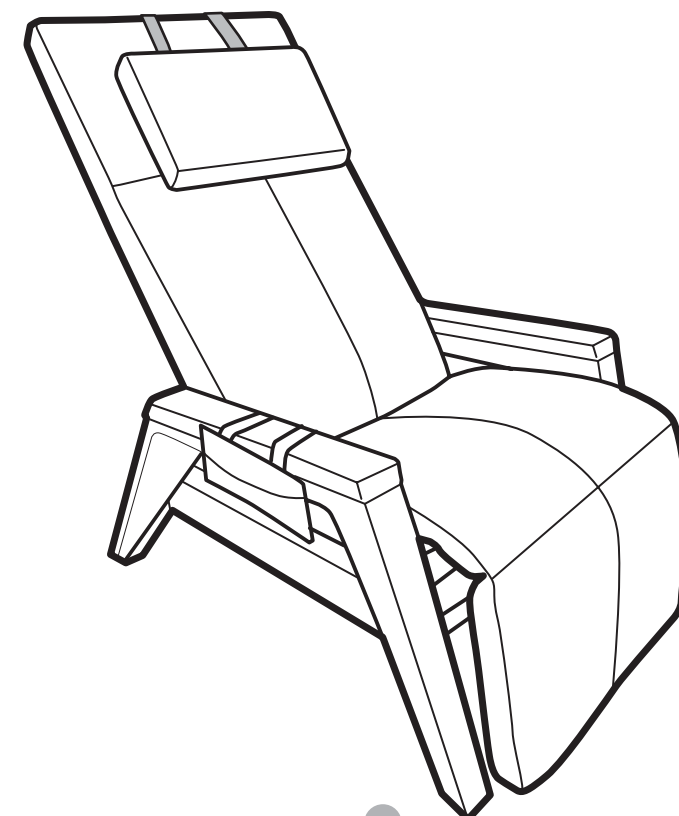
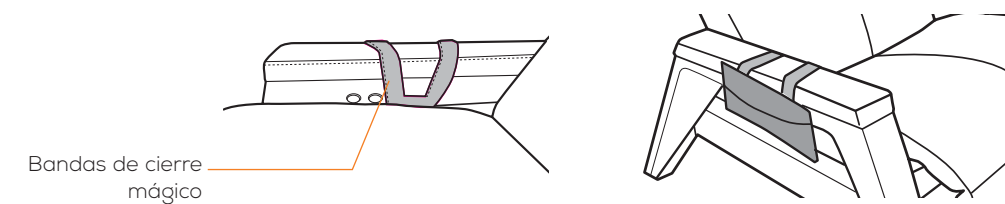


11. Coloque el cojín de la cabeza en posición, luego inserte las bandas a través de la banda de retención en la parte posterior del espaldar.



INSTALE EL BOLSILLO DEL CONTROL REMOTO

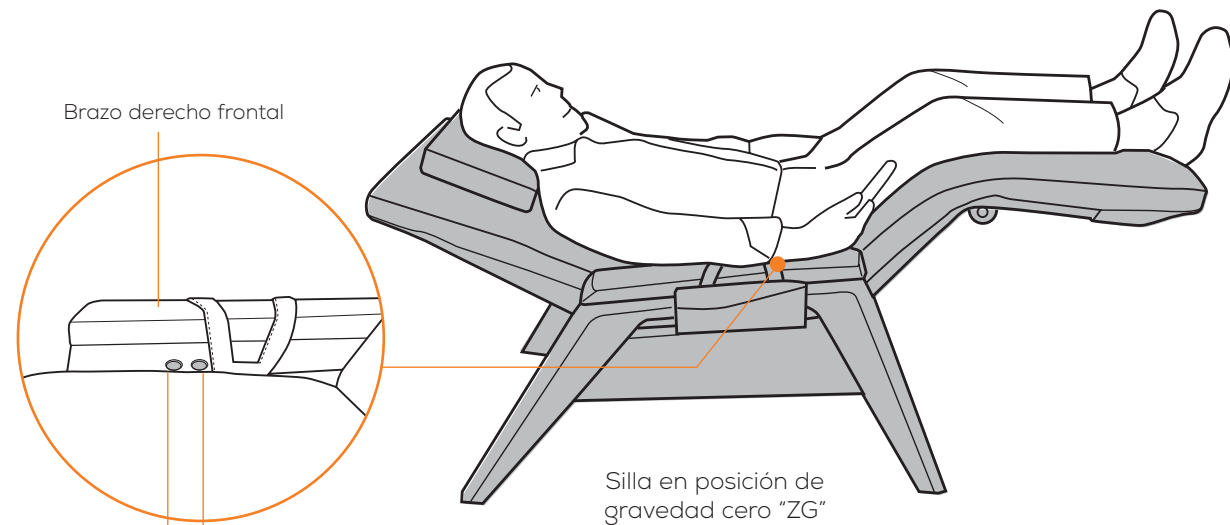
- Coloque el bolsillo del control remoto en posición en cada apoyabrazo y asegure con los cierres mágicos.



tome asiento

AJUSTE EL ÁNGULO DE RECLINACIÓN

Use el botón **Back** del control remoto para reclinar la silla en la posición deseada, luego use el botón **Foot** (Pie) para ajustar el ángulo del apoyapiés. O, simplemente presione el botón **ZG** del control remoto o el sensor del brazo derecho frontal para reclinar automáticamente en posición postural neutra, para un alivio máximo de la columna.

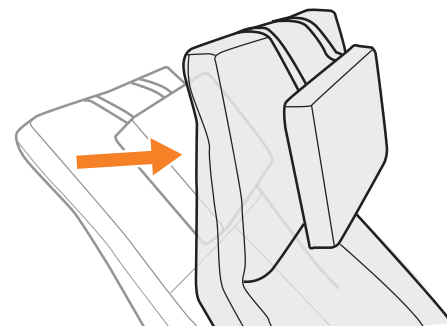


ZG – Reclina la silla a la posición de gravedad cero.

Restore – (Restablecer). Devuelve la silla a su posición vertical derecha con el apoyapiés descendido.

AJUSTE EL APOYACABEZAS

Use los botones **Head** (Cabeza) para ajustar el apoyacabezas en la posición deseada.

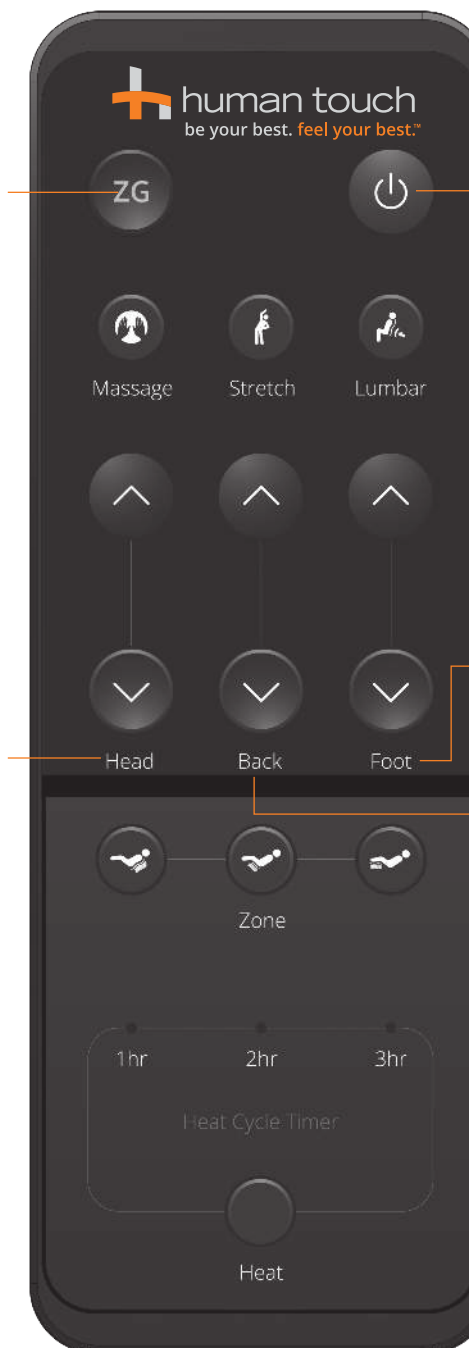


SALIR DE LA SILLA

Para salir de la silla correctamente, presione el botón **Power** (Encendido) del control remoto o el sensor frontal del brazo derecho para regresar la silla a su posición vertical, con el apoyapiés parcialmente descendido. Después de comprobar que no hay obstáculos debajo del apoyapiés, use los botones **Foot** (Pie) para retraer el apoyapiés totalmente y salir más fácilmente.

Su **Human Touch Gravis Zero-Gravity** es fácil de usar. Solo siéntese y use el Sistema de reclinación Precision Power para ajustar la silla en la posición deseada. La silla Gravis lo posiciona cómodamente con cero gravedad, con los pies por encima del nivel del corazón, la postura neutra más novedosa para aliviar el estrés.

ZG – Presione y suelte para reclinar la silla a la posición de gravedad cero.



Power (Encendido) – Enciende y apaga el control remoto. Cuando el control se apaga, la silla regresa a su posición vertical, con el apoyapiés parcialmente descendido. Después de comprobar que no hay obstáculos debajo del apoyapiés, use los botones **Back** (Atrás) para retraer el apoyapiés totalmente y salir más fácilmente.

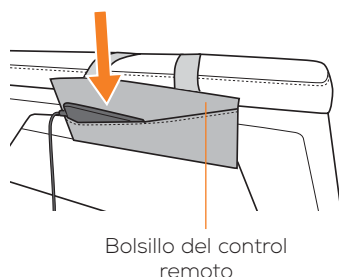
Head (Cabeza) – Ajusta la posición del apoyacabezas.

Foot (Pie) – Ajusta la posición del apoyapiés.

Back – Ajusta el ángulo de reclinación.

tome el control

Ahora, personalice su masaje. Elija entre las tres opciones de masaje programado del sistema de masaje por aire de la Terapia de ondulación de la silla reclinable Gravis ZG para obtener un masaje relajante, estiramiento terapéutico de la columna vertebral, o estiramiento lumbar focalizado. También puede agregar calor en el área de la espalda, asiento, y/o piernas. Luego, solo cierre sus ojos y ¡sumérgase en un profundo alivio!



Coloque el control remoto en su bolsillo cuando no lo use.

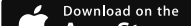

Heat Zone – Active o desactive el calor en el área de la espalda, el asiento y las piernas.

Heat – Seleccione la duración deseada del calor; el calor se apaga automáticamente después del tiempo seleccionado.

Comprenda los beneficios focalizados

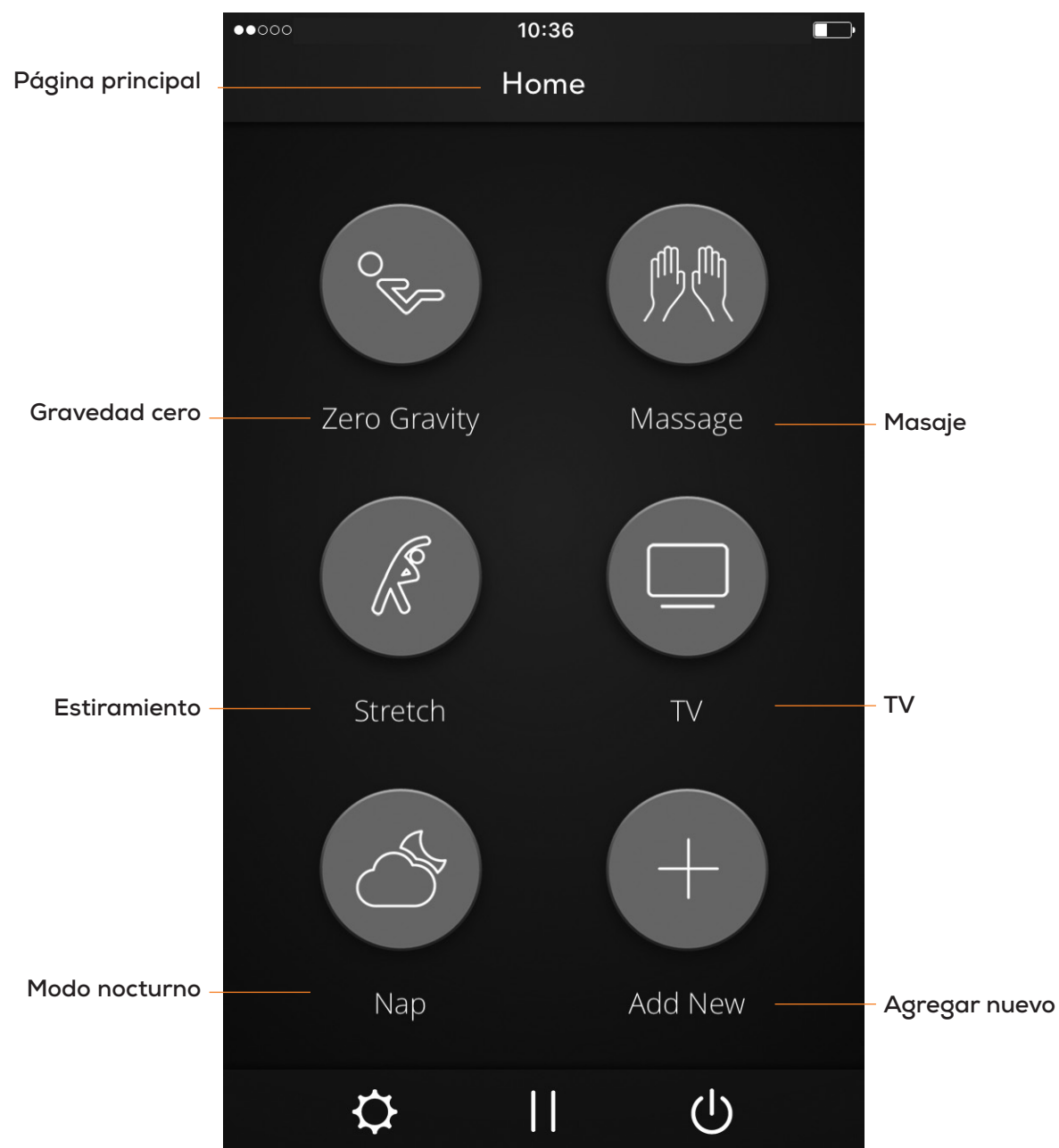
Beneficio focalizado	Lo que hace	Beneficios
Massage Masaje	Masajea su espalda y glúteos simultáneamente con una relajante Terapia de ondulación por aire.	Alivia la tensión y el dolor levantando y encogiendo los músculos. Mejora la circulación y ayuda a llevar los nutrientes vitales al área espinal.
Stretch Estiramiento	Centra el masaje de Terapia de ondulación por aire en el área de la columna.	Flexiona las articulaciones de la columna y alivia la presión de la columna, con lo cual se vigoriza toda el área de la espalda.
Lumbar Soporte Lumbar	Estira y sostiene el área lumbar de su espalda.	Ofrece un alivio calmante para los músculos tensos del área lumbar.

tome el control

Para más opciones de personalización, incluidos ajustes de memoria, posiciones predeterminadas de inclinación para ver TV y dormir la siesta, descargue la aplicación **Gravis ZG** de  

LA APLICACIÓN GRAVIS ZG OFRECE TODAS LAS MISMAS CARACTERÍSTICAS DEL CONTROL REMOTO, MÁS UN GRUPO DE CARACTERÍSTICAS ADICIONALES.

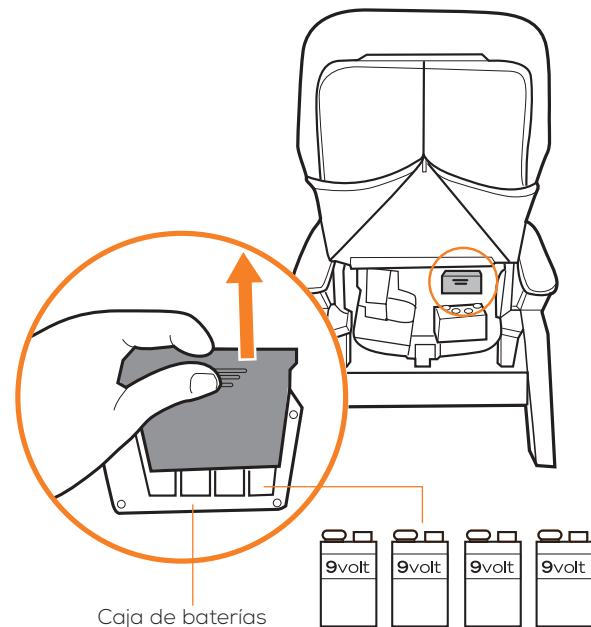
Smart Motion Movimiento inteligente	Movimientos sutiles de la silla le informan que ha estado sentado en una posición demasiado tiempo: seleccione intervalos de 10 minutos a 60 minutos.
Smart Sitting Asiento inteligente	Lo despierta cuando lo desee devolviendo la silla a la posición vertical: seleccione intervalos de 1 hora hasta 8 horas.
Memory Settings Ajustes de memoria	Configure todos los ajustes de la silla como prefiera y luego guarde sus selecciones para reactivarlas con el toque de un botón. Guarde hasta nueve de sus combinaciones favoritas.
Multiple Languages Varios idiomas	Seleccione entre inglés, chino, español o coreano.
Quick Reference Referencia rápida	Muestre el Manual de uso y cuidado.
Additional One-Touch Positioning Posicionamiento adicional con un botón	Elija la posición deseada, ver TV o dormir la siesta.
Custom Lumbar Soporte lumbar personalizado	Configure la extensión lumbar en 0, 1 (2 cm), 2 (5 cm), 3 (6 cm), 4 (8 cm), o 5 (9 cm).
Additional Heat Adjustments Ajustes de calor adicionales	Configure el calor en temperatura alta o baja y el temporizador en intervalos de media hora hasta seis horas.
Massage Timer Temporizador de masaje	Set air massage duration to 15 or 30 minutes.



FUNCIÓN DE SEGURIDAD DE HUMAN TOUCH: BATERÍAS DE RESPALDO

Su silla Gravis ZG cuenta con un sistema de respaldo a baterías para garantizar que pueda colocar la silla en posición vertical en caso de ocurrir una falla en la alimentación eléctrica. El sistema de respaldo a baterías utiliza cuatro baterías normales de 9 V (no incluidas). Asegúrese de anotar la fecha de instalación de las baterías y la fecha de vencimiento. Reemplace las baterías antes de la fecha de vencimiento para asegurar que el sistema de respaldo a baterías esté operativo.

IMPORTANTE: Para utilizar el sistema de respaldo a baterías para colocar la silla en posición vertical y salir de la silla durante una falla en la alimentación eléctrica, presione el botón **Back** (Atrás) para volver a colocar la silla en posición recta.



IMPORTANTE: Las baterías solo se pueden usar **UNA VEZ**, después de lo cual debe reemplazarlas de inmediato. Si desconecta la silla por más de una hora, extraiga las baterías del sistema de respaldo a baterías para evitar que se consuman.

Especificaciones*

Voltaje de operación:	CA 110-120 V, 60 Hz
Consumo de energía:	48 vatios
Tamaño de la silla (reclinada):	170 cm La x 76 cm An x 79 cm Al
Peso del producto:	54.9 kg. (121 Lbs.)
Espacio necesario para reclinarla:	7,62 cm (3")
Peso máximo de carga:	181,44 kg. (400 Lbs.)

*Las especificaciones quedan sujetas a cambio sin previo aviso.

cuidado y mantenimiento

Para mantener su producto en funcionamiento y luciendo bien, siga estos pasos simples para su cuidado.

⚠ ADVERTENCIA:

1. Asegúrese de desconectar el cable de alimentación del tomacorriente antes de limpiar la silla.
2. Cuando limpie el control o el interruptor de alimentación, utilice solamente un paño seco. Nunca utilice un paño húmedo para limpiar el control ni el interruptor de alimentación.
3. Asegúrese de probar las soluciones limpiadoras en una superficie pequeña no visible del producto para garantizar que el color no se desvanezca antes de usar la solución en toda la superficie del producto.
4. No utilice benceno ni disolventes en su producto.

Estándar de código de limpieza: W

Para mantener su producto Human Touch en óptimas condiciones, limpie el polvo de la silla frecuentemente y/o con una aspiradora de cepillo suave. Los productos SofSuede® también se pueden cepillar con un cepillo para gamuza. Si su producto se ensucia, use solo un limpiador de tapicería a base de agua. Para tratar las manchas, limpie el área manchada con un champú para tapicería o una espuma detergente suave.

El cuero natural es un material poroso que respira, similar a la piel humana, y es susceptible a los cambios de color debido a la absorción de suciedad, sudor, humedad, grasas y aceites. Se debe tener cuidado para evitar o minimizar el contacto con la piel desnuda y el cabello, así como con alimentos, ya que esto puede causar decoloración, especialmente en los colores de cuero más claros. Se puede conseguir cierta protección contra la decoloración, el agrietamiento y el secado al frotar toda la superficie del cuero periódicamente con cera de abejas, jabón para cuero o un acondicionador natural para cuero de un proveedor de confianza (siga cuidadosamente las instrucciones de aplicación).

Mantenimiento y reparación:

1. La mecánica de este producto está especialmente diseñada y construida para no requerir mantenimiento. No se requiere servicio ni lubricación periódicamente.
2. La silla sólo debe recibir servicio por parte de un centro de servicio autorizado.

Almacenamiento:

1. Cuando no se utilice por un largo período, recomendamos cubrir la silla, enrollar el cable de alimentación y colocar la unidad en un lugar libre de polvo y humedad.
2. No lo conserve cerca del calor, ni de las llamas.
3. No deje este producto expuesto a la luz solar directa por largos periodos de tiempo. Ello puede causar decoloración o daños.
4. No utilice o almacene el producto a temperaturas extremas; si el producto se almacena a bajas temperaturas, puede ser necesario que el producto esté a temperatura ambiente por 48 horas para que funcione correctamente.
5. El producto se debe utilizar y almacenar en un ambiente sin condensación de humedad que oscile entre un 10 y un 80%. La humedad excesiva dañará la mecánica del producto.