



humantouch.com
800.355.2762

©2023 Human Touch®, LLC. Patents pending and intellectual property rights enforced.
No medical claims are warranted or implied by the use of this product.
Human Touch is a trademark of Human Touch®, LLC.
HT-CIRCA-NA-A0



use & care manual

Register your product **ONLINE** today

www.humantouch.com/register

Register your product **ONLINE** today

www.humantouch.com/register

ENG

use & care manual

FRC

mode d'emploi et d'entretien

ESN

manual de uso y cuidado



For **more than four decades**, Human Touch has established itself as an industry leader that is changing the lives of its customers with products and services that help them **feel, perform, and live their best**. Developed in cooperation with the medical community and industry experts, we deliver products that blend patented technology, craftsmanship and intelligent ergonomics with superior design to enable therapeutic relief for everyone.

Our industry-leading massage chairs, Perfect Chair® recliners and evolving set of innovative solutions share attributes in their ease-of-use, attention to performance and quality, and design to adapt to most any lifestyle. These attributes are highly valued by our customers and garner broad industry award and recognition. As a result, Human Touch empowers people to enjoy greater health and vitality in their professions, pursuits and everyday lives. And with a population increasingly aware of the benefits of wellness, Human Touch extends its brand leadership and available **solutions for the benefit of everyone**.

humantouch.com

Register your product at www.humantouch.com to ensure your product is in our system to simplify the warranty process should you ever need it.



welcome to **human touch**®

Anyone who suffers from back pain knows how debilitating it can be and how difficult it is to find relief. The Human Touch® Circa ZG Chair combines the therapeutic benefits of zero gravity with air massage technology, multi-zone heat, and powered positioning for every part of the chair. With crisp, clean lines and innovative design, the Circa delivers both neutral-posture pain relief and exceptional control of your comfort.

Human Touch zero gravity chairs recline while cradling your back and elevating your legs above your heart. It is this therapeutic position that doctors recommend as the healthiest way to sit. As the chair reclines, the muscles immediately start relaxing. When the chair reaches zero gravity there is a major reduction in muscle irritation, which promotes spinal health and relief from back pain.


Supported by millions of dollars and years of research, Human Touch products are the only therapeutic chairs endorsed by the World Federation of Chiropractic. To ensure that you don't overlook any of your chair's features, and that you use it safely, read this manual carefully. Then sit back, relax, and enjoy the many benefits of the Circa ZG Chair!

keep it safe

IMPORTANT SAFETY INSTRUCTIONS

When using an electrical appliance, basic precautions should always be followed, including the following:

Read all instructions before using this appliance.

 **DANGER: To reduce the risk of electrical shock**

Always unplug this product from the electrical outlet immediately after using and before cleaning.

 **WARNING: To reduce the risk of burns, fire, electric shock or injury to persons:**

- Do not put hands or fingers near the massage mechanism or rollers while this product is running. Touching the mechanism can result in injury from the rollers squeezing together.
- If the supply cord is damaged, it must be replaced by the manufacturer or its service agent or a similarly qualified person in order to avoid a hazard.
- An appliance should never be left unattended when plugged in. Unplug from outlet when not in use, and before putting on or taking off parts.
- Do not operate under blanket or pillow. Excessive heating can occur and cause fire, electric shock, or injury to persons.
- Close supervision is necessary when this product is used by, on, or near children, invalids, or disabled persons. Keep children away from extended foot support (or other similar parts).
- Use this product only for its intended use as described in this manual. Do not use attachments not recommended by the manufacturer.
- Never operate this product if it has a damaged cord or plug, if it is not working properly, if it has been dropped or damaged, or dropped into water. Return this product to a service center for examination and repair.
- Do not carry this appliance by supply cord or use cord as a handle.
- Always keep the power cord away from heated surfaces.
- Never operate this product with the air openings blocked. Keep the air openings free of lint, hair, and the like.
- Never drop or insert any object into any opening.
- Do not use outdoors.
- Do not operate where aerosol (spray) products are being used or where oxygen is being administered.
- To disconnect, turn all controls to the OFF position, then remove plug from outlet.
- Do not massage any area of the body that is swollen, inflamed or covered with skin eruptions.
- Do not use on unexplained calf pain.
- Do not use this product when standing on a damp floor, or when any part of the body is in contact with plumbing or any similar ground.
- Do not use this product if noise above normal sound is heard.
- Do not stand on or in appliance. Use only while seated.
- This appliance is not intended for use by persons (including children) with reduced physical, sensory or mental capabilities, or lack of experience and knowledge, unless they have been given supervision or instruction concerning use of the appliance by a person responsible for their safety. Children should be supervised to ensure that they do not play with the appliance.

Safety Precautions

- Comfortable clothing is recommended while using this product.
- This product was meant to be used in a relaxed position. Never force any body part into the backrest area while the rollers are moving.
- If you feel any abnormal discomfort during the operation of this product, turn off the power immediately and do not use the product. Consult your physician.
- Do not sit on the controller.
- Do not pull on the AC cord.
- When using this product after it has been in storage, check to see that the product is operating properly prior to use.
- Always confirm that there are no obstacles behind the product and that there is sufficient space to recline.


SAVE THESE INSTRUCTIONS

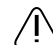
Do not attempt to repair this product yourself.

- This product is designed for personal in-home use. Commercial use will void warranty.
- To reduce the risk of electric shock, this appliance has a polarized plug (one blade is wide than the other). This plug will fit in a polarized outlet only one way. If the plug does not fit fully in the outlet, reverse the plug. If it still does not fit, contact a qualified electrician to install the proper outlet. Do not change the plug in any way.

FCC STATEMENT

This device complies with Part 15 of the FCC Rules. Operation is subject to the following two conditions: (1) This device may not cause harmful interference, and (2) this device must accept any interference received, including interference that may cause undesired operation.

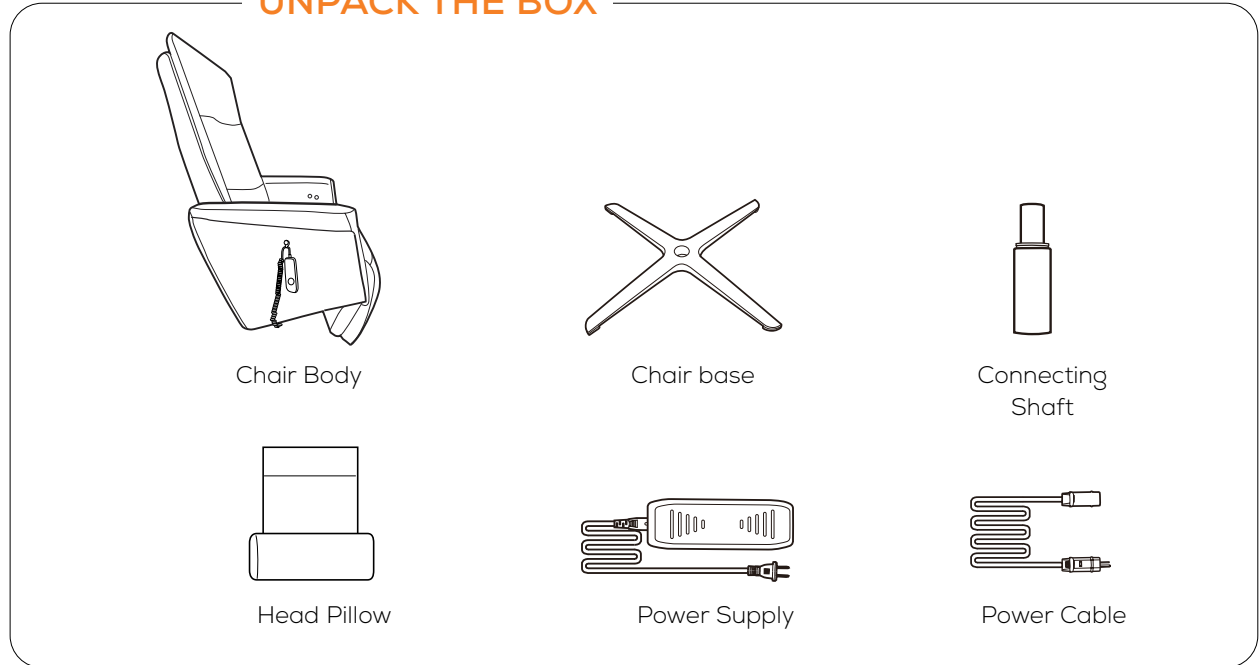
 **WARNING:** Changes or modifications to this unit not expressly approved by the party responsible for compliance could void the user's authority to operate the equipment.

 **WARNING:** This product is equipped with a thermal resetting protection device. This is an added safety feature to protect you and this product from overheating. If the product should suddenly stop and will not start, turn the main power switch, located on the back of the product, off and do not operate the product for at least 30 minutes. Failure to turn the product off may result in the product starting unexpectedly when the device cools.

Your Human Touch Circa ZG Chair requires some simple assembly. Just attach the chair body to the base, connect the power supply, place the head pillow, and you're done!

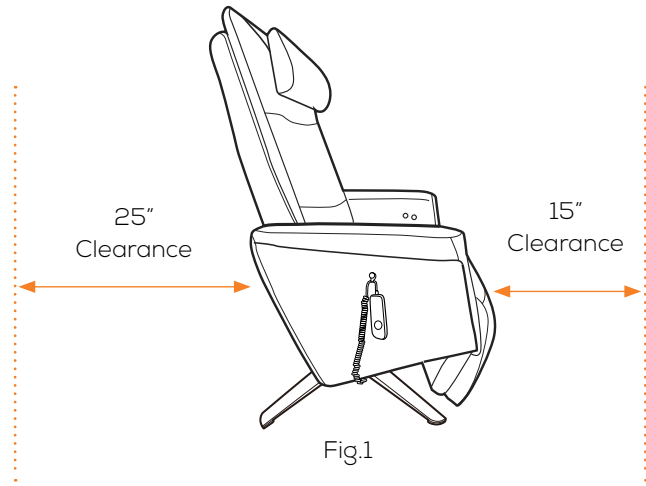
get ready

UNPACK THE BOX



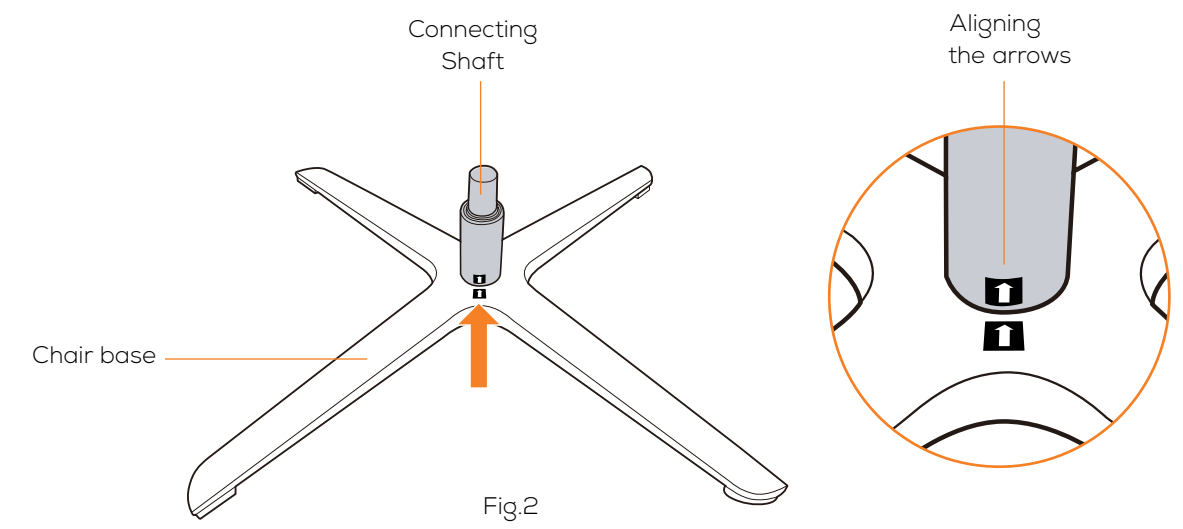
PLACE THE CHAIR

- Consider the following when choosing a chair location:
 - Place the chair on a flat, level, carpeted surface to prevent damage to the floor and minimize chair motor noise.
 - Choose a location that is not exposed to direct sunlight for extended periods, to prevent upholstery fading.
 - Allow at least a 25-inch clearance behind the chair and a 15-inch clearance in front of it (Fig.1).

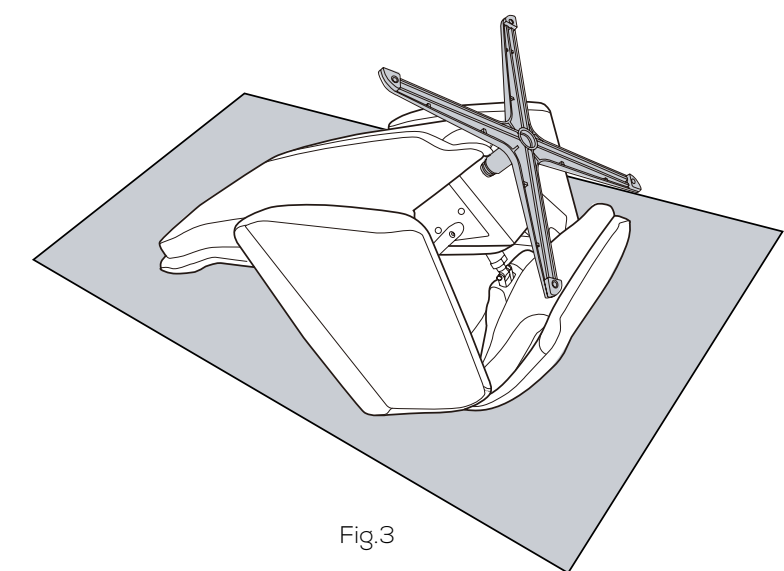


ASSEMBLE THE CHAIR

- To avoid scratching the chair, choose a carpeted location or place a clean blanket on the floor for assembly (Fig.3).
- Place the front of the chair body on the floor, then tip it forward until the headrest reaches the floor (Fig.3).
- Install the large end of the connecting shaft into the receptacle on the chair base, aligning the arrows (Fig.2).



- Slide the small end of the connecting shaft into the receptacle on the bottom of the chair body (Fig.3).



- 5. Tip the chair to the upright position.
- 6. Confirm that the chair swivels (Fig.4).

NOTE: For safety reasons, the chair will not swivel when it is reclined past a 125-degree angle.

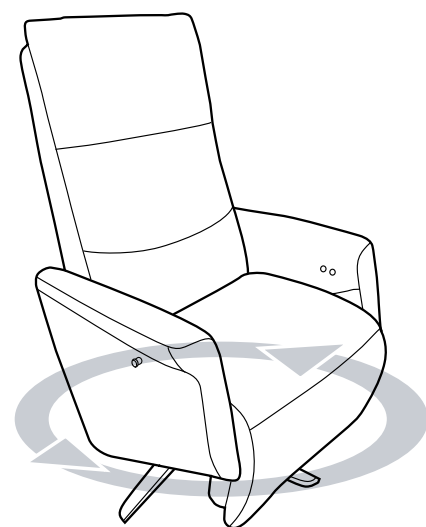
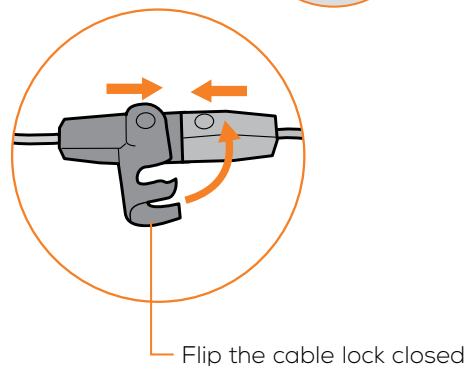
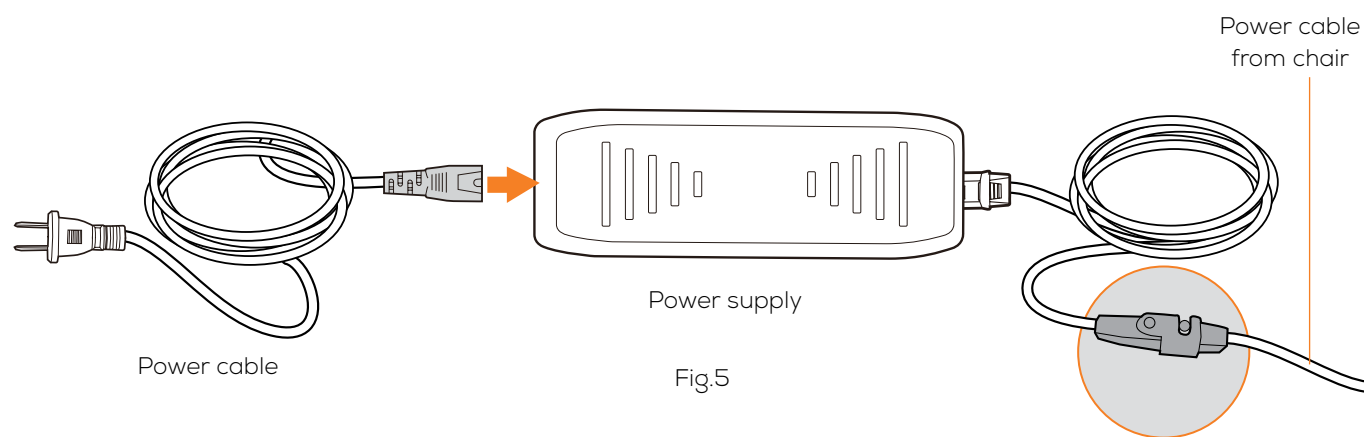


Fig.4

INSTALL THE POWER SUPPLY

- 1. Plug the power supply into the power cable coming from the chair (Fig.5).
- 2. Flip the cable lock to the horizontal position to secure the connection.
- 3. Plug one end of the power cable into the power supply and the other into a wall outlet.



INSTALL THE HEAD PILLOW

Place the head pillow in the desired position (Fig.6).

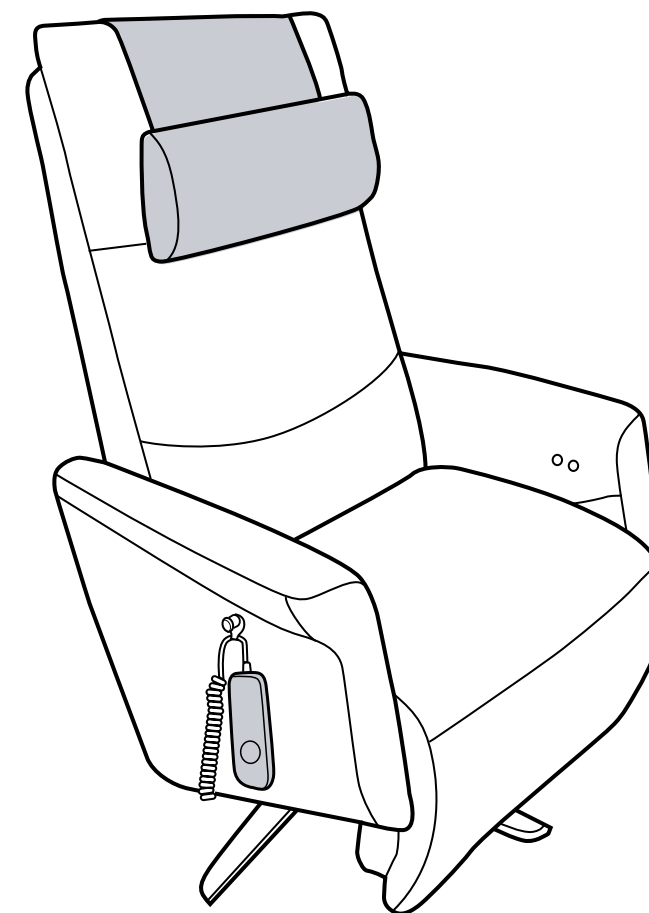


Fig.6

PLACE THE REMOTE

Slide the remote control loop over the mounting post on the right-hand side of the chair (Fig.6).

take a seat

Using your Human Touch Circa ZG Chair is easy. Just take a seat and use the precision power recline system to adjust the chair to the desired position. The Circa cradles you in zero gravity comfort, with your feet above your heart—the ultimate neutral-posture position for stress relief.

ADJUST THE RECLINE ANGLE

Use the buttons on the inside of each armrest or the **Recline/Incline** and **Legs Up/Down** buttons on the remote to adjust the chair to the desired position (Fig.7).

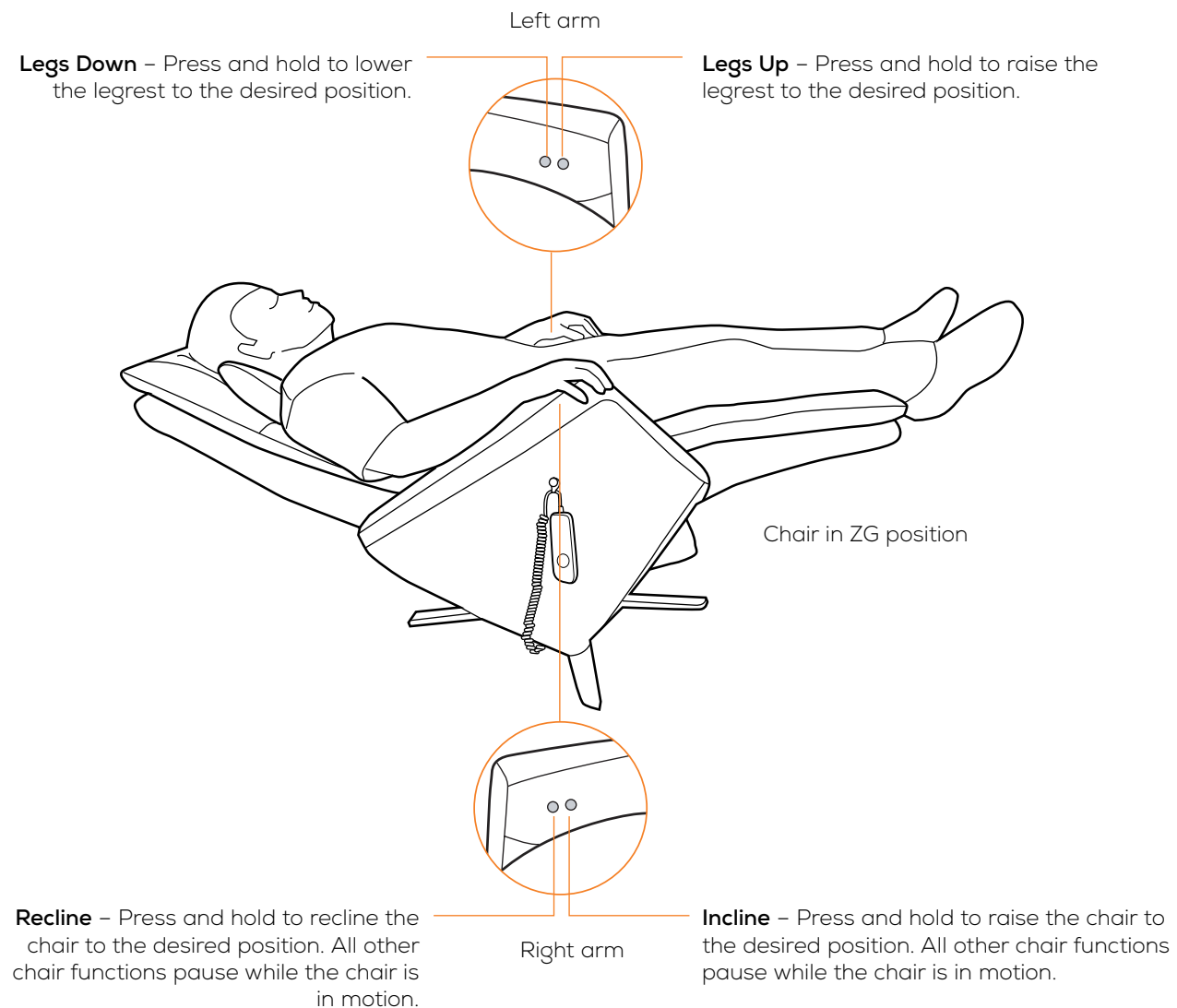


Fig.7

ZeroG – Press to recline to zero gravity position. To stop the automatic recline, press the button again.

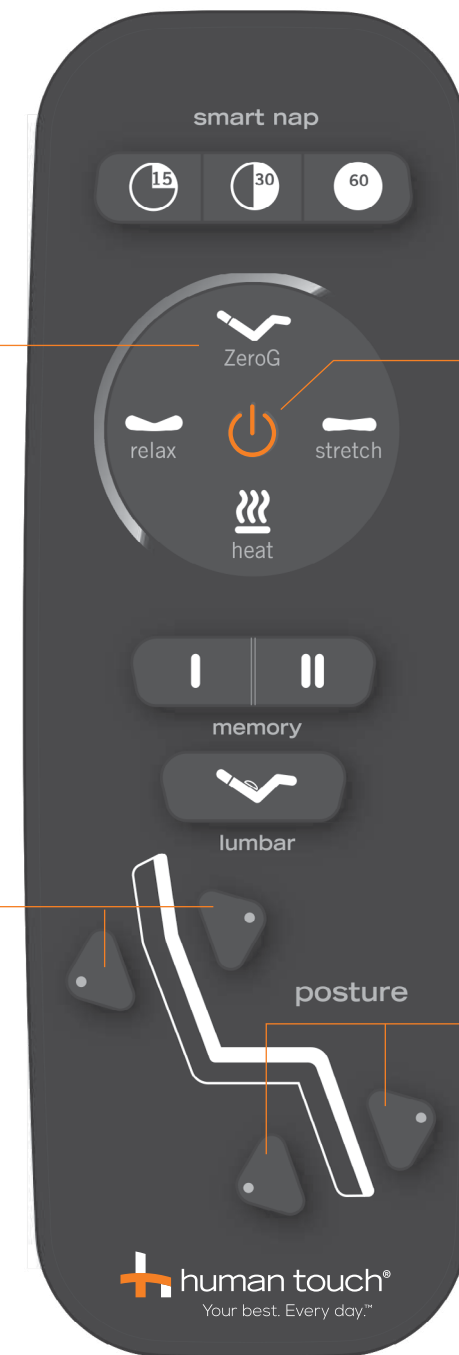
Power – Press to power on the remote programs (you can use the Posture buttons without first pressing the Power button). The button lights to indicate the remote programs are active.

Press to restore the chair to the upright position with the legrest lowered.

IMPORTANT: Press the Power button to stop all chair movement and massage function.

Recline/Incline – Press and hold to recline/incline the chair to the desired position. All other chair functions pause while the chair is in motion.

Legs Up/Down – Press and hold to raise/lower the legrest to the desired position. All other chair functions pause while the footrest is in motion.

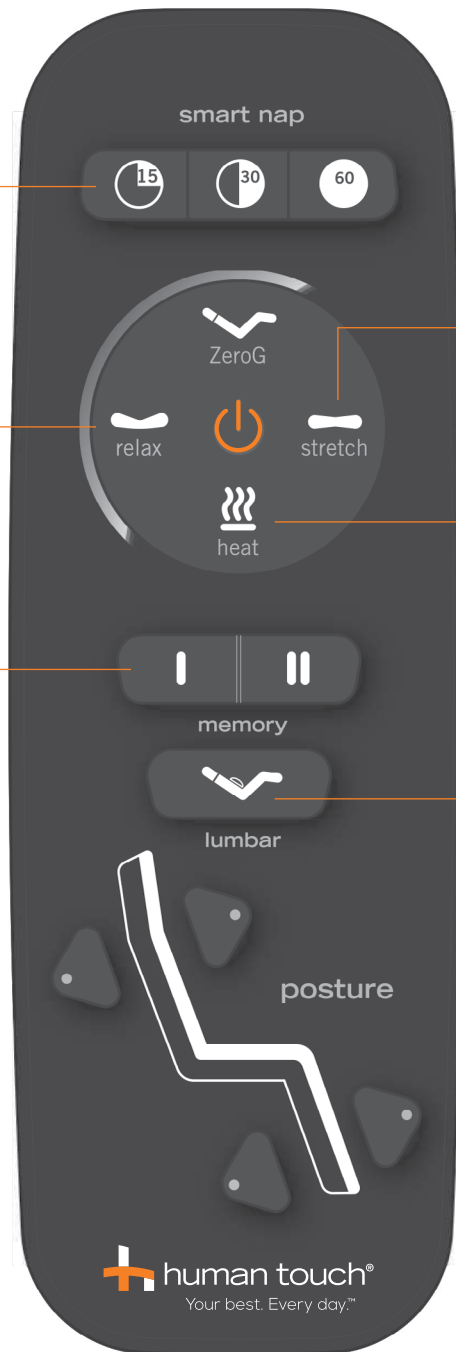


take control

Smart nap – Press the 15-, 30-, or 60-minute nap button, then close your eyes and drift off to sleep. When the selected time is up, the Power button flashes, a soft air massage begins and the chair returns to the upright position.

Relax – Press to activate a gentle air massage, perfect for relaxing and loosening muscles.

I & II – Press and hold a Memory button until the remote beeps, to save the chair's current position for easy recall.



Stretch – Press to activate a gentle to moderate massage that focuses on stretching the spine to relieve stress.

Heat – Press to power the heat on and off; the button lights when the heat is on.

Lumbar –

1. Press to slowly inflate the lumbar air system.
2. When the lumbar area reaches the desired inflation level, press again to stop the inflation (it stops automatically after 15 seconds).
3. Press again to slowly deflate the lumbar air system.

NOTES:

- The Relax and Stretch programs override the Lumbar setting.
- The lumbar system deflates automatically when the remote Power button is off.

Automatic Timer – This chair has an automatic 15-minute shut-off timer for all functions other than heat, which shuts off after one hour. Press any button to resume using the chair.

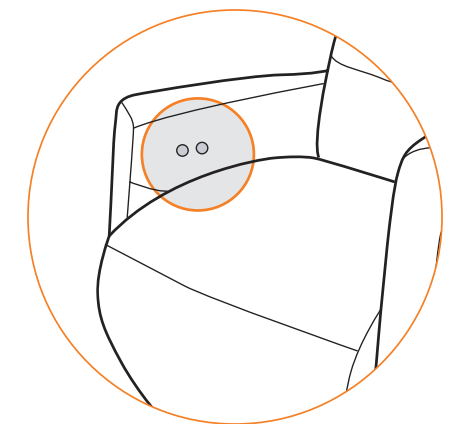
Now, customize your massage. Choose from the Circa ZG Chair's Wave Therapy air massage system's three programmed massage choices to provide a relaxing massage, therapeutic spinal stretch, or focused lumbar stretch. You can also add heat in the back and seat area. Then just close your eyes and sink into blissful relief!

GETTING OUT OF THE CHAIR

To easily exit the chair, press the **Power** button on the remote control to restore the chair to the upright position.

LOCKING THE CHAIR FUNCTIONS

Press the two right-hand in-arm control buttons simultaneously for at least five seconds to lock all in-arm buttons. Repeat this process to unlock the buttons (Fig.8).



Right arm
Fig.8

USING THE USB CHARGING PORT

Plug any USB Type A device into the convenient charging port inside the left-hand armrest to charge it (Fig.9).

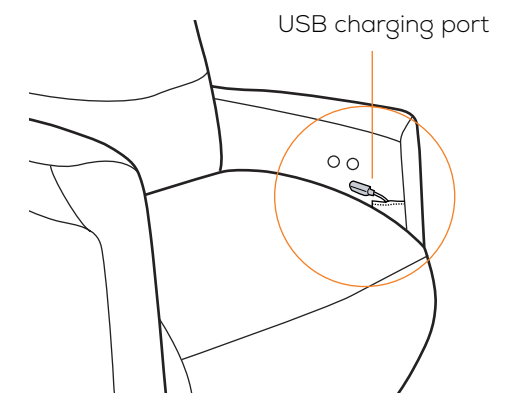


Fig.9

care and maintenance

To keep your product working and looking its best, please follow these simple care guidelines.

WARNING:

1. Be sure to disconnect the power cord from the electrical outlet before cleaning.
2. When cleaning the controller or power switch, use a dry cloth only. Never use a damp cloth to clean the controller or power switch.
3. Be sure to test any cleaning solution on a small, inconspicuous part of the product to ensure that the color does not fade prior to using the solution on the entire product surface.
4. Do not use benzene, thinner or any other solvents on your product.

Cleaning Code Standard: W

To maintain your Human Touch product in optimum condition, dust it frequently and/or vacuum it with a soft brush vacuum extension. SofSuede® products can also be brushed with a suede brush. If your product becomes dirty, use a water-based upholstery cleaner only. To treat stains, spot clean with an upholstery shampoo or a mild detergent foam.

Natural leather is a breathing, porous material similar to human skin, and is susceptible to changing color due to absorbing dirt, sweat, moisture, greases, and oils. Care should be taken to avoid or minimize contact with bare skin and hair, as well as food items, as this may cause discoloring, especially on lighter leather colors. Some immunity to discoloring and protection from cracking and drying may be achieved by periodically rubbing the entire leather surface with beeswax, saddle-soap, or natural leather conditioner from a reputable supplier (follow application instructions carefully).

Maintenance and Repair:

1. The mechanics of this product are specially designed and constructed to be maintenance free. No periodic lubrication or servicing is required.
2. Your chair should only be serviced by an authorized service center.

Use and Storage Environment:

1. When not in use for a long period of time, we recommend that the chair be covered, the power cord be coiled and that the unit be placed in an environment free of dust and moisture.
2. Do not store near heat or open flame.
3. Do not leave this product exposed to direct sunlight for long periods of time. This may cause fading or damage.
4. Do not use or store in extreme temperatures; product stored in cold temperatures may require 48 hours at room temperature to function properly.
5. Product should be used and stored in an environment with non-condensing humidity ranging from 10 to 80%; excessive humidity will damage the mechanics.

having trouble?

Before calling customer service, perform these easy troubleshooting steps:

1. Make sure the power supply is connected to the chair's power cable.
2. Make sure the power cord is plugged securely into a wall outlet.
3. Make sure the wall outlet is working, by plugging a known working appliance into it.
4. Unplug the chair, wait 30 seconds, then plug it back in.

Just like with any other electronics, this simple reset sequence will resolve many issues. If, however, your issue remains, please do the following before contacting our customer experience team (this will help us help you much more quickly):

1. Locate the serial number on label on the back of your chair and write it down.
2. Locate your proof of purchase, as we will need it to process any warranty claim.
3. Now you're ready to contact us!

Questions about the pads?

Before calling customer service, consider the following:

- Small scratches, slight color changes, and minor stretching are a normal part of leather wear over time.
- Circa pads are "soft cushion" upholstery, therefore some wrinkles and folds are an intended part of their appearance. As with any soft upholstery, sitting habits may cause wrinkles and folds to increase over time. Wrinkles can generally be smoothed out if caught early, or removed and reinstall the pad for maximum improvement.
- It is normal for upholstery foam, whether standard foam or memory foam, to settle and compress to some degree over time, somewhat altering its appearance.
- If the pads are crooked, sagging, making noise, or uncomfortable, remove and reinstall the pad set **carefully following the instructions** in this manual.

Contact our Customer Experience team at **800-355-2762**,
Monday – Thursday 7 AM to 4:30 PM PST, Friday 7 AM to 3:30 PM
or csadmin@humantouch.com

Specifications*

Operating Voltage:	AC110-120V 60 Hz
Power Consumption:	56 W, DC 29 V, 2.0 A
Chair Size (reclined):	66" L x 32.5" W x 25.5" H
Product Weight:	135.6 Lbs.
Required Recline Clearance:	28"
Maximum Load Weight:	330 Lbs.

*Specifications are subject to change without prior notice.



humantouch.com
800.355.2762



mode d'emploi et
d'entretien

FRANÇAIS

Enregistrez votre produit **EN LIGNE** dès maintenant

www.humantouch.com/register

Enregistrez votre produit **EN LIGNE** dès maintenant

www.humantouch.com/register



Depuis plus de 40 ans, Human Touch s'est établi comme un chef de file de l'industrie en changeant la vie de ses clients grâce à des produits et services qui les aident à se sentir mieux, à performer davantage et à être à leur meilleur. Élaborés en collaboration avec des experts du domaine médical et de l'industrie, nous offrons des produits qui allient une technologie brevetée, le savoir-faire et une ergonomie intelligente avec une conception supérieure : le soulagement thérapeutique pour tous.

Nos fauteuils de massage, nos fauteuils inclinables PerfectChair^{MD} et notre gamme de solutions innovantes possèdent tous les mêmes attributs en matière de convivialité, de souci de la performance et de la qualité, en plus d'une conception qui s'adapte à la plupart des modes de vie. Ces qualités sont très appréciées de nos clients et nous méritent de nombreuses reconnaissances et de nombreux prix dans l'industrie. Ainsi, Human Touch permet aux gens de vivre en meilleure santé, avec plus de vitalité, que ce soit au niveau professionnel ou personnel, au quotidien. Alors que de plus en plus de gens prennent conscience des bienfaits du mieux-être, Human Touch élargit son leadership de marque et offre des solutions dont tous peuvent profiter.

humantouch.com

Enregistrez votre produit à www.humantouch.com pour que votre produit figure dans notre système, ce qui simplifiera le processus de la garantie, si jamais vous en aviez besoin.

©2022 Human Touch^{MD}, LLC. Brevets en instance et droits de propriété intellectuelle en vigueur.

Aucune garantie quant aux bénéfices médicaux de ce produit n'est offerte, qu'elle soit expresse ou implicite.

Human Touch est une marque de commerce de Human Touch^{MD}, LLC.



bienvenue chez **human touch**[®]

Quiconque souffre de maux de dos sait à quel point cela est débilisant et difficile à soulager. Le fauteuil Human Touch[®] Circa ZG combine les avantages thérapeutiques de l'apesanteur avec la technologie de massage à l'air, la chaleur sur différentes zones et le positionnement électrique pour chaque partie du fauteuil. Grâce à des lignes nettes et précises, et un design novateur, Circa offre un soulagement de la douleur en posture neutre et un contrôle exceptionnel de votre confort.

Les fauteuils Human Touch zero-gravity s'inclinent tout en dorlotant votre dos et en élevant vos jambes au-delà de votre cœur. C'est cette position thérapeutique que les médecins recommandent comme la manière la plus saine de s'asseoir. Alors que le fauteuil s'incline, les muscles commencent immédiatement à se détendre. Lorsque le fauteuil atteint l'apesanteur, il se produit une réduction importante de l'irritation musculaire, ce qui favorise la santé vertébrale et le soulagement des maux de dos.

Appuyés par des millions de dollars et des années de recherche, les produits Human Touch sont les seuls fauteuils thérapeutiques approuvés par la fédération mondiale des chiropraticiens. Afin de bénéficier du plein potentiel de toutes les caractéristiques de votre fauteuil, et afin de vous assurer que vous en faites un usage sécuritaire, lisez ce guide attentivement. Puis, asseyez-vous, relaxez et profitez des nombreux avantages du fauteuil Circa ZG!

consignes de sécurité

CONSIGNES DE SÉCURITÉ IMPORTANTES

Lorsque vous utilisez un appareil électrique, vous devez toujours suivre les précautions de base suivantes :

Lisez toutes les instructions avant d'utiliser cet appareil.



DANGER: Afin de réduire les risques d'électrocution :

Débranchez toujours cet appareil de l'alimentation électrique dès que vous avez fini de l'employer et avant de le nettoyer.



MISE EN GARDE : Afin de réduire les risques de brûlure, d'incendie, d'électrocution ou de blessure :

- Tenez vos mains et vos doigts éloignés du mécanisme de massage et des rouleaux lorsqu'ils sont en marche. Si vous touchez au mécanisme, les rouleaux risquent de se comprimer et de vous blesser.
- Si le cordon d'alimentation est endommagé, il doit être remplacé par le fabricant, son représentant de service ou un technicien qualifié afin d'éviter tout danger.
- Un appareil ne devrait jamais être laissé sans surveillance lorsqu'il est branché. Débranchez l'appareil de l'alimentation lorsque vous ne l'employez pas et avant d'y insérer ou d'en retirer des pièces.
- Ne faites pas fonctionner cet appareil une couverture ou sous un oreiller. Une surchauffe pourrait survenir et causer un incendie, une électrocution ou des blessures.
- Une surveillance étroite est nécessaire lorsque ce fauteuil est employé près ou par des enfants ou des personnes handicapées. Gardez les enfants à l'abri du repose-pied déployé (ou autres pièces semblables).
- Employez ce fauteuil à ce pour quoi il a été conçu, tel que décrit dans ce guide. Employez uniquement les accessoires recommandés par le fabricant.
- N'employez jamais ce produit si son cordon ou sa fiche d'alimentation sont endommagés, s'il ne fonctionne pas correctement, s'il a été échappé ou endommagé ou s'il a été immergé. Retournez ce fauteuil à un centre de service pour examen et réparation.
- Ne transportez pas cet appareil en tirant sur son cordon d'alimentation. N'utilisez pas le cordon d'alimentation comme une poignée.
- Éloignez toujours le cordon d'alimentation de toute source de chaleur.
- Ne faites jamais fonctionner ce fauteuil si ses trappes d'aération sont obstruées. Maintenez les trappes d'aération exemptes de peluche, de cheveux et de substances semblables.
- N'échappez ni n'insérez jamais aucun objet dans aucune ouverture.
- N'employez pas ce fauteuil à l'extérieur.
- Ne faites pas fonctionner dans un endroit où on utilise des produits à bombe aérosol (vaporisateur) ou dans un endroit où de l'oxygène est administré.
- Pour débrancher, mettez toutes les commandes à la position O (arrêt) et retirez la fiche de la prise.
- Ne massez aucune partie du corps qui soit enflée, enflammée ou présentant des éruptions.
- Ne massez pas vos jambes si vous souffrez de douleurs idiopathiques.
- N'employez pas cet appareil sur une surface humide ou lorsqu'une partie de votre corps est en contact avec une structure de plomberie ou autre structure similaire.
- N'employez pas ce fauteuil s'il émet un bruit plus élevé que le son normal.
- Ne vous mettez pas debout sur ou dans l'appareil. N'utilisez cet appareil qu'en position assise.
- Cet appareil n'a pas été conçu pour être utilisé par des personnes (incluant les enfants) dont les facultés physiques, sensibles ou mentales sont réduites, ou qui n'ont pas assez d'expérience ou de connaissances, à moins d'être supervisés ou formés quant à l'utilisation de l'appareil par la personne en charge de leur sécurité. Les enfants doivent être surveillés pour veiller à ce qu'ils ne jouent pas avec l'appareil.

Consignes de sécurité

- Nous recommandons le port de vêtements confortables pour l'emploi de ce produit.
- Une position détendue est nécessaire afin de bénéficier des avantages de ce fauteuil. Ne mettez jamais de pression sur aucune partie de votre corps reposant sur le dossier lorsque que les rouleaux sont en mouvement.
- Si vous éprouvez un inconfort anormal lorsque vous employez ce produit, éteignez-le immédiatement et cessez son emploi. Consultez votre médecin.
- Ne vous assoyez pas sur le système de commande.
- Ne tirez pas sur le cordon d'alimentation.
- Si vous employez ce produit après une période de rangement prolongée, vérifiez son bon fonctionnement au préalable.
- Assurez-vous toujours qu'aucun obstacle ne se trouve derrière le fauteuil. Assurez-vous de disposer d'un espace suffisant pour incliner le fauteuil.

CONSERVEZ CE MODE D'EMPLOI

Ne réparez pas ce fauteuil vous-même.

- Ce fauteuil est conçu pour un usage personnel au foyer. Tout usage à des fins commerciales annulera la garantie.
- Afin de réduire les risques d'électrocution, cet appareil est doté d'un cordon à fiche polarisée (une lame est plus large que l'autre). Cette fiche ne s'insère que dans un seul sens dans une prise polarisée. Si la fiche ne s'insère pas entièrement dans la prise, inversez la fiche. Si elle ne s'insère toujours pas entièrement, contactez un électricien qualifié pour faire installer une prise appropriée. Ne modifiez pas la fiche d'alimentation électrique.

Cet appareil est conforme à la Partie 15 du règlement de la FCC.

L'utilisation de l'appareil est assujettie aux deux conditions suivantes : (1) Cet appareil peut causer des interférences nuisibles, et (2) il doit accepter toute interférence reçue, y compris les interférences qui pourraient causer un fonctionnement indésirable.



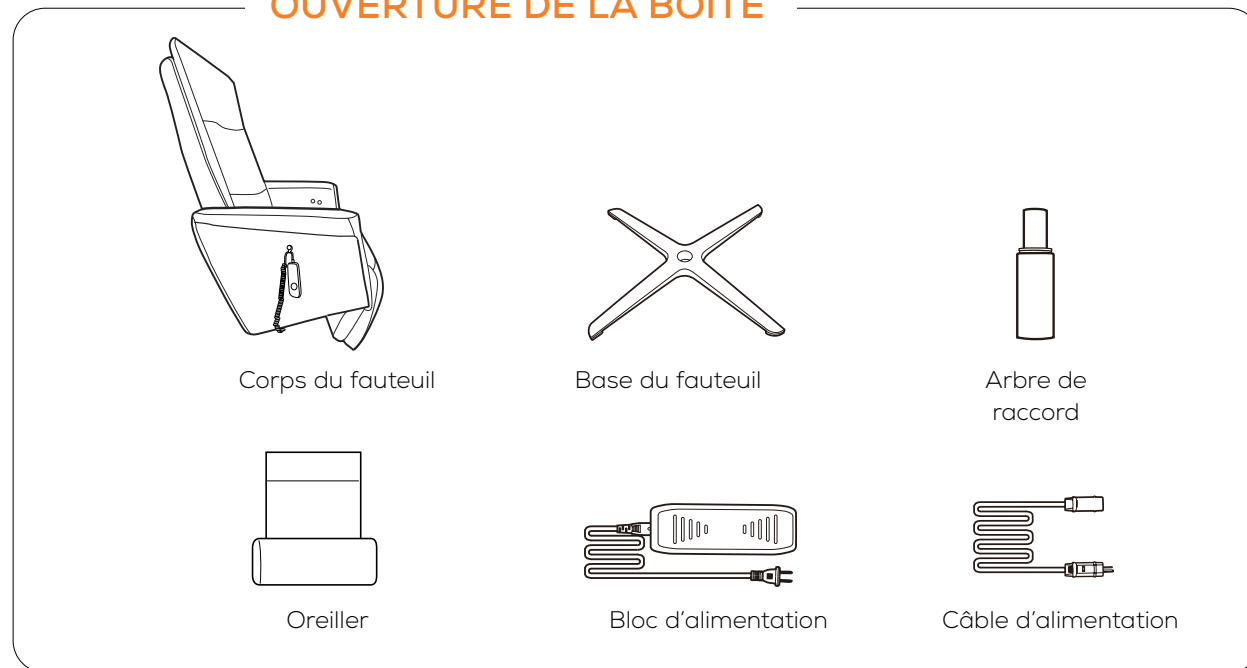
MISE EN GARDE : Les modifications ou altérations apportées à cet appareil qui ne sont pas explicitement approuvées par la partie responsable de la conformité pourraient annuler le droit de l'utilisateur à utiliser l'équipement.



MISE EN GARDE : Ce fauteuil est doté d'un dispositif de réinitialisation thermique de protection. Il s'agit d'une caractéristique de sécurité supplémentaire installée afin de vous protéger contre la surchauffe du fauteuil. Si le fauteuil s'arrête soudainement et que vous ne pouvez le remettre en marche, mettez le bouton d'alimentation générale, situé à l'arrière du fauteuil, à la position d'arrêt. Attendez au moins 30 minutes avant de le remettre en marche. Si vous n'éteignez pas le fauteuil, il pourrait se remettre en marche inopinément une fois le dispositif refroidi.

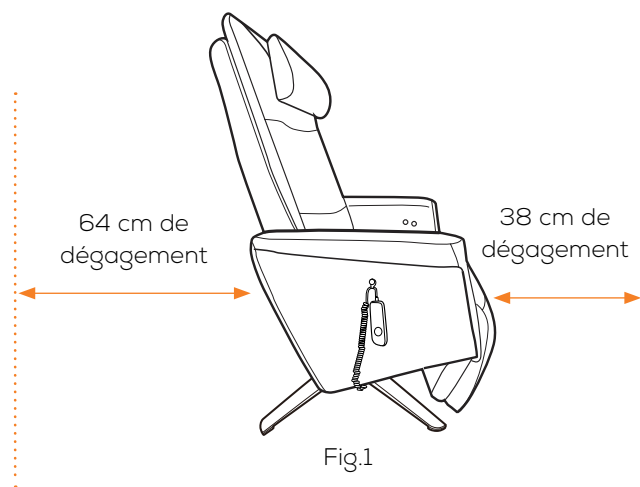
préparez-vous

OUVERTURE DE LA BOÎTE



EMPLACEMENT DU FAUTEUIL

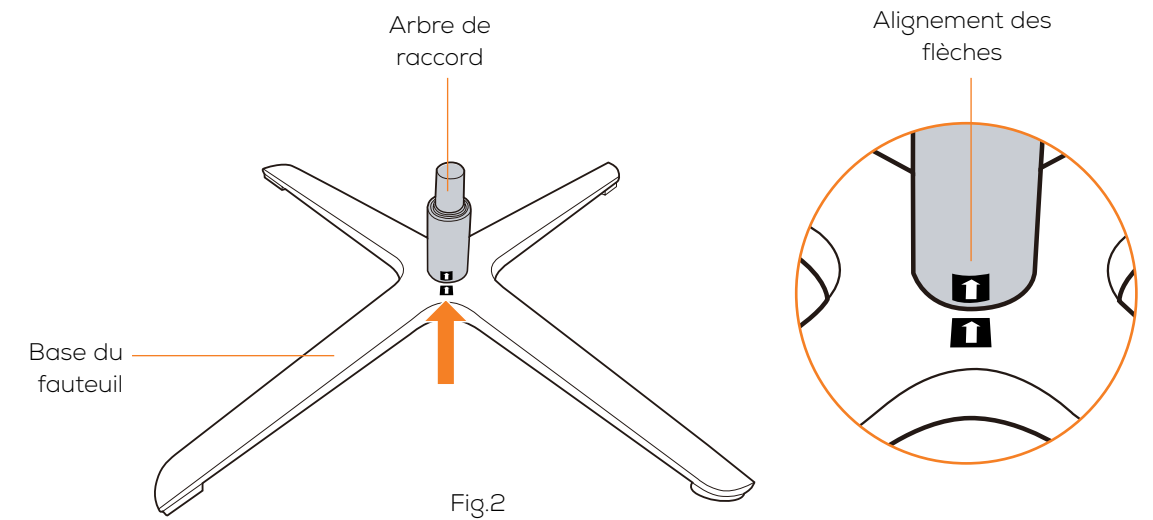
1. Prenez en compte les facteurs suivants lorsque vous choisissez l'endroit où mettre le fauteuil :
 - Mettez le fauteuil sur une surface plate, au niveau et revêtu de tapis pour éviter d'endommager le plancher et réduire le bruit du moteur du fauteuil.
 - Pour éviter la décoloration de la garniture, choisissez un emplacement qui n'est pas exposé au rayonnement solaire direct pendant des périodes prolongées.
 - Au moins 64 cm de dégagement derrière le fauteuil et 38 cm devant (Fig. 1).



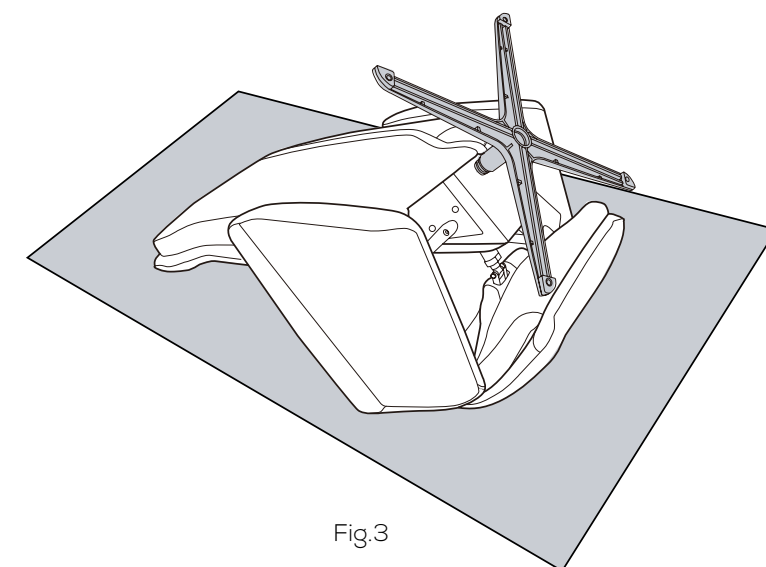
Votre fauteuil Human Touch Circa ZG nécessite un assemblage simple. Il suffit de fixer le corps du fauteuil à la base, de connecter le bloc d'alimentation, de placer l'oreiller et voilà!

ASSEMBLEZ LE FAUTEUIL

1. Pour éviter d'érafler le fauteuil, choisissez un emplacement recouvert de tapis ou placez-le sur une couverture propre sur le plancher lors de l'assemblage (Fig. 3).
2. Placez l'avant du corps du fauteuil sur le plancher, puis inclinez-le vers l'avant jusqu'à ce que l'appui-tête touche le plancher (Fig. 3).
3. Installez la grande extrémité de l'arbre de raccord dans le réceptacle sur la base du fauteuil, en alignant les flèches (Fig. 2).



4. Faites glisser la petite extrémité de l'arbre de raccord dans le réceptacle sur la base du corps de fauteuil (Fig. 3).



5. Inclinez le fauteuil en position relevée.
6. Assurez-vous que le fauteuil pivote (Fig. 4).

REMARQUE : Pour des raisons de sécurité, le fauteuil ne pivote pas lorsqu'il est incliné au-delà de 125 degrés.

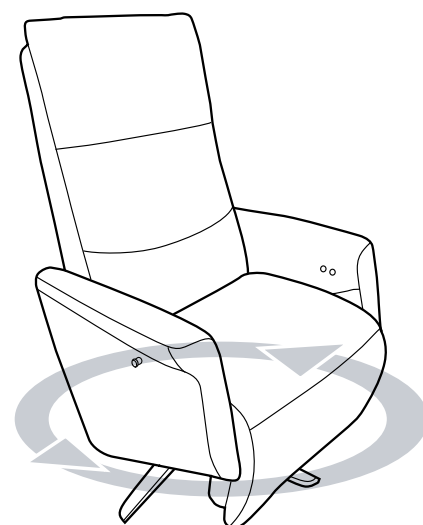


Fig.4

POSE DU BLOC D'ALIMENTATION

1. Branchez le bloc d'alimentation dans le câble d'alimentation sortant du fauteuil (Fig. 5).
2. Enclenchez le verrou de câble en position horizontale pour verrouiller la connexion.
3. Branchez une extrémité du câble d'alimentation dans le bloc d'alimentation et l'autre dans la prise murale.

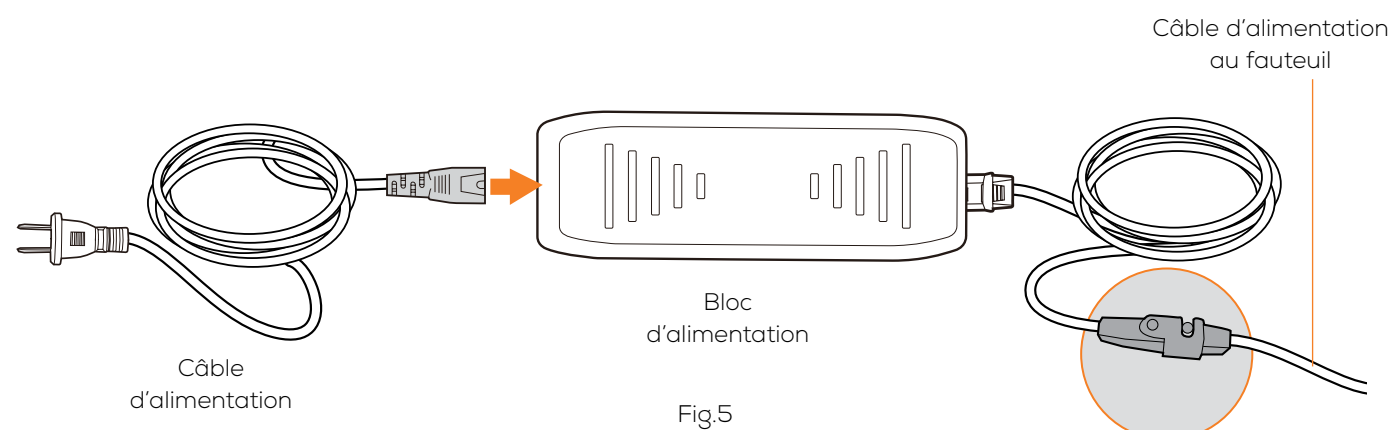
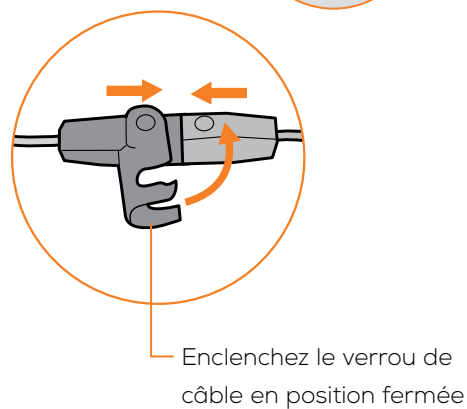


Fig.5



Enclenchez le verrou de câble en position fermée

INSTALLER L'OREILLER

Placez l'oreiller à la position souhaitée (Fig. 6).

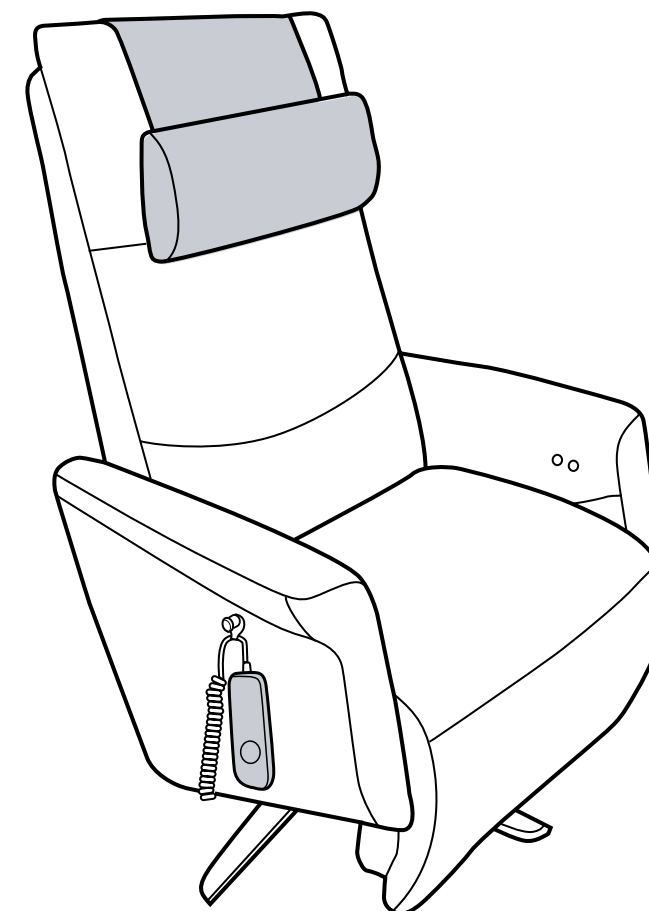


Fig.6

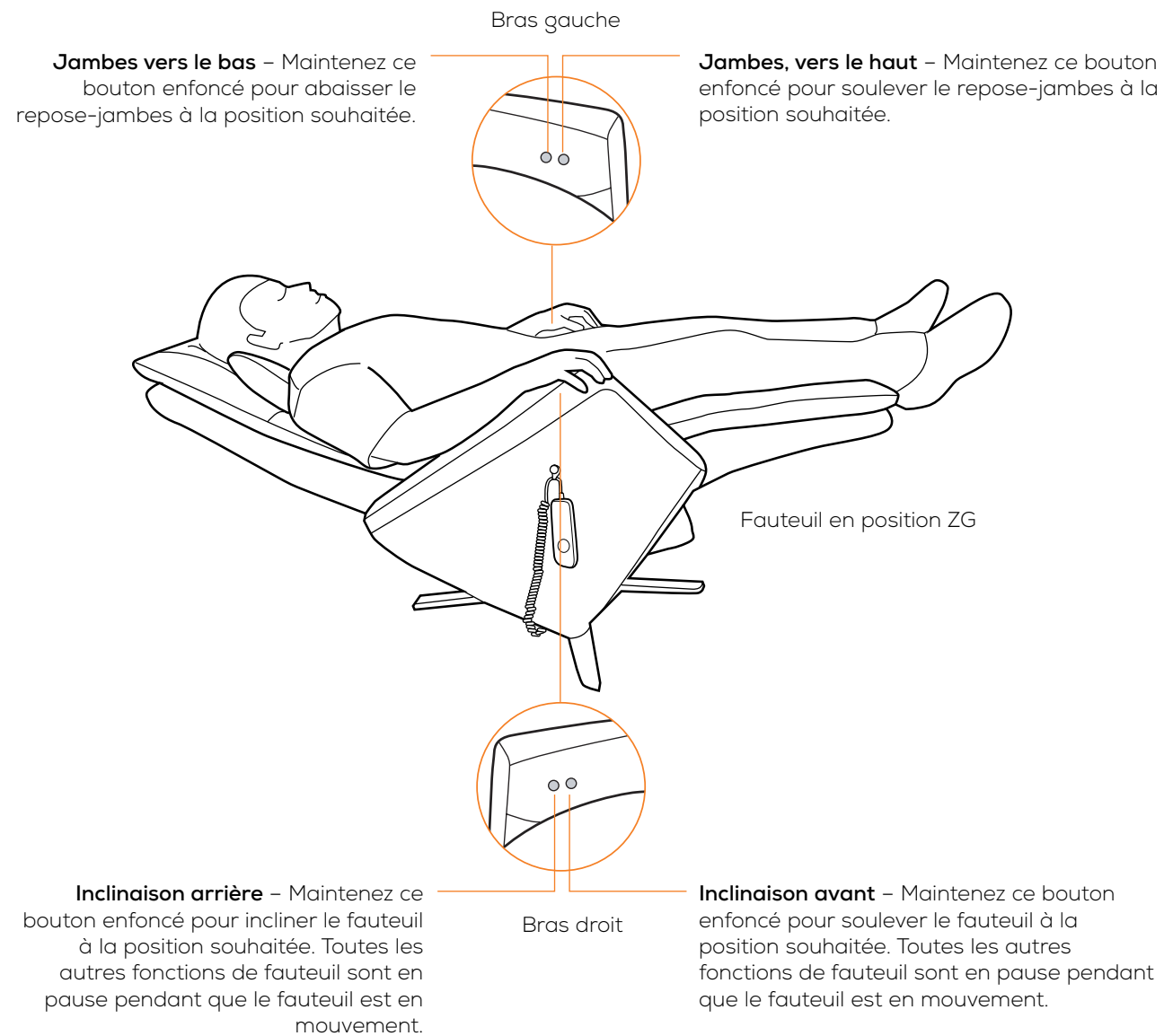
EMPLACEMENT DE LA TÉLÉCOMMANDE

Faites glisser la boucle de télécommande par-dessus l'emplacement de montage du côté droit du fauteuil (Fig. 6).

prenez place

AJUSTER L'ANGLE D'INCLINAISON

Utilisez les boutons sur l'intérieur de chaque accoudoir ou les boutons **Recline/Incline** (Relever/Incliner) et **Legs Up/Down** (Relever/abaisser les jambes) sur la télécommande pour ajuster le fauteuil à la position souhaitée (Fig. 7).



Votre fauteuil **Human Touch Circa ZG** est facile d'utilisation. Il vous suffit de vous asseoir et d'utiliser le système à inclinaison électrique de précision pour ajuster le fauteuil à la position souhaitée. Le Circa vous berce dans un confort zéro gravité, avec vos pieds plus haut que votre cœur, l'ultime position à posture neutre pour l'apaisement du stress.

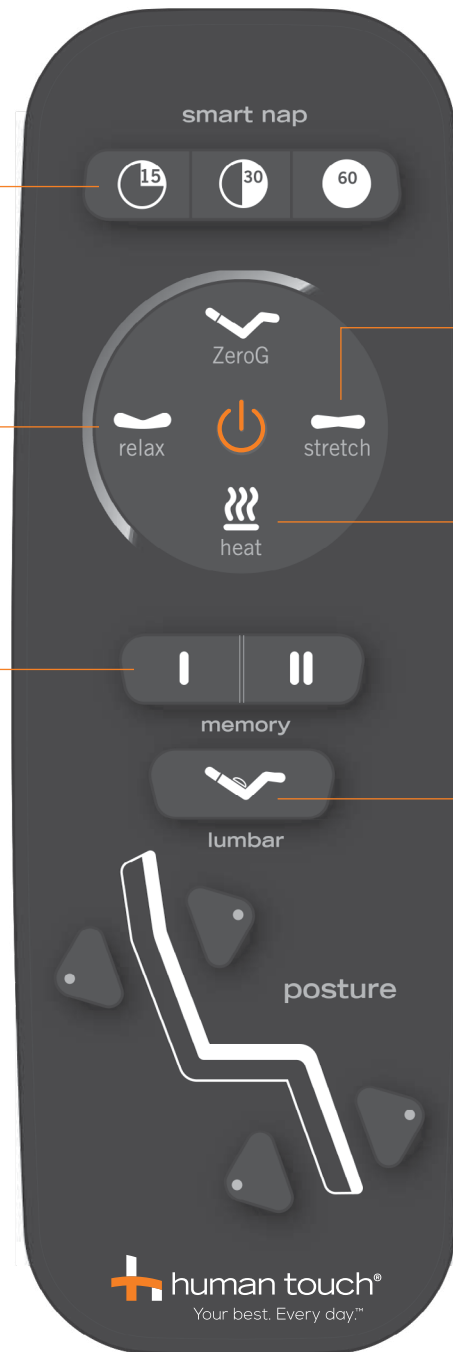


prenez les commandes

Smart nap – Appuyez sur le bouton de sieste de 15, 30 ou 60 minutes, puis fermez les yeux et laissez-vous bercer par Morphée. Lorsque la période sélectionnée est écoulée, le bouton d'alimentation clignote, un massage à l'air léger commence et le fauteuil retourne à la position relevée.

Détente – Appuyez sur ce bouton pour activer un délicat massage à l'air, parfait pour se détendre et délier les muscles.

I et II – Maintenez le bouton Memory (mémoire) enfoncé jusqu'à ce que la télécommande émette des bips pour enregistrer et ensuite rappeler facilement la position actuelle du fauteuil.



Étirement – Appuyez sur ce bouton pour activer un massage modéré qui se concentre sur l'étirement de la colonne afin de soulager le stress.

Heat (chaleur) – Appuyez sur ce bouton pour activer et désactiver la chaleur; le bouton s'allume lorsque la chaleur est activée.

Lumbar –

1. Appuyez sur ce bouton pour gonfler lentement le système pneumatique du soutien lombaire.
2. Lorsque la zone lombaire atteint le niveau de gonflement souhaité, appuyez de nouveau pour arrêter le gonflement (il arrête immédiatement après 15 secondes)..
3. Appuyez de nouveau pour dégonfler lentement le système pneumatique de soutien lombaire.

REMARQUES :

- Les programmes Relax et Stretch ont priorité sur le réglage Lumbar..
- Le système lombaire se dégonfle automatiquement lorsque le bouton d'alimentation de la télécommande est éteint.

Minuterie automatique – Ce fauteuil dispose d'une minuterie d'arrêt automatique de 15 minutes pour toutes les fonctions autres que la chaleur, qui elle s'arrête après une heure. Appuyez sur n'importe quel bouton pour reprendre l'utilisation du fauteuil.

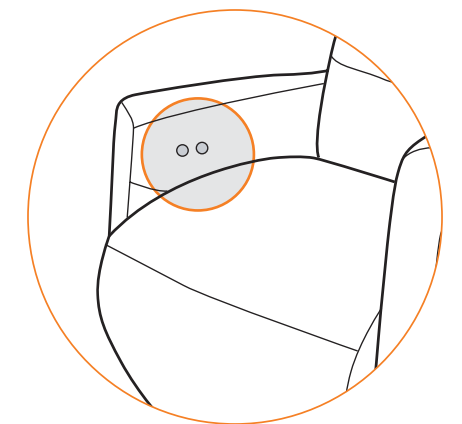
Maintenant, personnalisez votre massage. Faites votre choix entre les trois massages programmés de thérapie par vagues afin d'offrir un massage relaxant, un étirement lombaire thérapeutique ou un étirement lombaire ciblé. Vous pouvez aussi ajouter de la chaleur dans le dos et dans la zone du siège. Puis, vous n'avez qu'à fermer les yeux et à vous laisser envahir par un soulagement extatique.

SORTIR DU FAUTEUIL

Pour sortir aisément du fauteuil, appuyez sur le bouton **Power** de la télécommande pour remettre le fauteuil en position relevée.

VERROUILLAGE DES FONCTIONS DE FAUTEUIL

Appuyez simultanément sur deux boutons intégrés au bras du même côté pendant au moins cinq secondes pour verrouiller tous les boutons intégrés au bras. Répétez la même procédure pour déverrouiller les boutons (Fig. 8).



Bras droit
Fig.8

UTILISATION DU PORT DE CHARGE USB

Branchez n'importe quel dispositif USB de type A dans le port de charge pratique se trouvant à l'intérieur de l'accoudoir gauche pour le charger (Fig. 9).

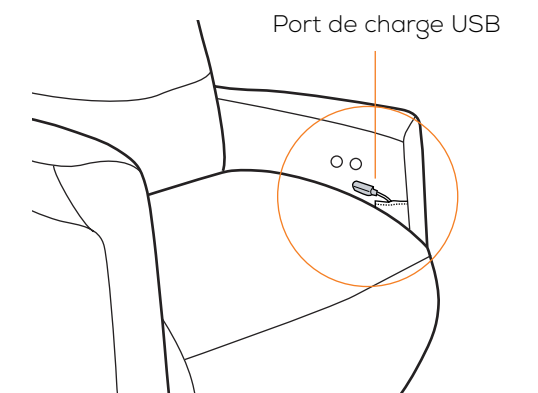


Fig.9

soin et entretien

Afin de vous assurer que votre fauteuil fonctionne bien et qu'il conserve une belle apparence, veuillez suivre ces consignes faciles d'entretien.

⚠ MISE EN GARDE :

1. Assurez-vous de débrancher le cordon d'alimentation de la prise murale avant le nettoyage.
2. Nettoyer le boîtier de commande et l'interrupteur à l'aide d'un linge sec seulement. Ne nettoyez jamais le système de commande ou le bouton d'alimentation à l'aide d'un linge humide.
3. Avant de procéder au nettoyage de toute la surface du produit à l'aide d'une solution nettoyante, veuillez à en faire l'essai sur une petite portion camouflée du produit afin de vous assurer qu'elle n'entraîne pas de décoloration.
4. N'utilisez pas de benzène, de diluant ou de solvant pour nettoyer le produit.

Norme de nettoyage : W

Pour maintenir votre produit Human Touch en état optimal, époussetez-le fréquemment ou passez-y l'aspirateur à l'aide d'une brosse douce. On peut également brosser les produits SoftSuede^{MD} à l'aide d'une brosse pour le suède. Seuls les nettoyeurs à l'eau pour meubles conviennent au nettoyage de ce produit. Pour traiter les taches, appliquez localement un shampoing pour meubles ou un détergent moussieux doux.

Le cuir naturel est un matériau poreux perméable à l'air similaire à la peau humaine et il pourrait changer de couleur en raison de l'absorption de saletés, de sueur, d'humidité, de graisses et d'huiles. Il est important d'éviter ou de minimiser le contact avec la peau nue et les cheveux, ainsi qu'avec les aliments, car ceux-ci pourraient causer une décoloration, plus particulièrement avec les couleurs de cuir plus claires. Il est possible d'obtenir une certaine immunité contre la décoloration et une protection contre le fendillement et la sécheresse en appliquant régulièrement sur la totalité de la surface en cuir de la cire d'abeille, du savon pour cuir ou du conditionneur pour cuir naturel provenant d'un fournisseur réputé (suivre les instructions d'application avec soin).

Entretien et réparation :

1. La mécanique de ce fauteuil a été conçue et construite afin de ne nécessiter aucun entretien. Aucune lubrification ni entretien périodique ne sont nécessaires.
2. Votre fauteuil ne doit être réparé que par un centre de service agréé.

Environnement d'utilisation et de rangement :

1. Lorsque le fauteuil ne doit pas être employé sur une longue période, nous vous recommandons d'enrouler le cordon d'alimentation et de placer le fauteuil dans un endroit exempt de poussière et d'humidité.
2. Ne le rangez près d'une flamme ou d'une source de chaleur.
3. N'exposez pas cet appareil aux rayons directs du soleil sur une longue période. Cela pourrait le décolorer ou l'endommager.
4. N'utilisez pas et ne rangez pas votre fauteuil dans des températures extrêmes. Les produits rangés au froid peuvent devoir attendre 48 heures à la température de la pièce avant de bien fonctionner.
5. Le produit doit être utilisé et rangé dans un milieu où le taux d'humidité relative sans condensation varie de 10 % à 80 %. Trop d'humidité endommagera la mécanique.

vous éprouvez des difficultés?

Avant d'appeler le service à la clientèle, effectuez ces étapes de dépannage simples:

1. Assurez-vous que le cordon d'alimentation du fauteuil est bien branché et qu'il n'est pas endommagé.
2. Branchez un appareil qui fonctionne dans la prise pour vous assurer que celle-ci fonctionne.
3. Débranchez le fauteuil de la source d'alimentation. Attendez 30 secondes.
4. Rebranchez le fauteuil dans la source d'alimentation.

Comme pour n'importe quel appareil électronique, cette simple séquence de réinitialisation résoudra beaucoup de problèmes. Cependant, si le problème persiste, veuillez procéder comme suit avant de contacter notre équipe du service à la clientèle (ceci nous aidera à vous aider beaucoup plus rapidement) :

1. Repérez le numéro de série sur l'étiquette à l'arrière du fauteuil et prenez-le en note.
2. Trouvez votre preuve d'achat, car vous en aurez besoin pour traiter toute réclamation sous garantie.
3. Vous êtes maintenant prêt à nous contacter!!

Des questions à propos des coussins?

Avant d'appeler le service à la clientèle, prenez en compte les aspects suivants :

- Les petites éraflures, les légères décolorations et les étirements mineurs font partie d'une usure normale du cuir avec le temps.
- Les coussins Circa sont des « coussins mous », par conséquent les rides et plis font partie de leur apparence.
- Comme avec toute garniture molle, les habitudes de position assise peuvent causer des plis avec le temps. Il est généralement possible de les lisser si elles sont repérées tôt. Vous pouvez également retirer et réinstaller le coussin pour une amélioration maximum.
- Il est normal pour la mousse de garniture, qu'il s'agisse de mousse standard ou viscoélastique, de prendre une forme ou de se comprimer à un certain degré avec le temps, ce qui altère quelque peu son apparence.
- Si les coussins sont courbés, pendants, font du bruit ou sont inconfortables, retirez et réinstallez l'ensemble de coussins **en suivant scrupuleusement les instructions** contenues dans le présent manuel.

Contactez notre équipe de l'expérience client au **800 355-2762**, du lundi au jeudi, de 7 h à 16 h 30 HNP, le vendredi, de 7 h à 15 h 30 ou à l'adresse courriel **csadmin@humantouch.com**

Fiche technique*

Tension de fonctionnement :	110 à 120 volts CA, 60 Hz
Consommation d'énergie :	56 W, 29 VCC, 2.0 A
Dimensions du fauteuil (incliné) :	168 cm Lon. x 83 cm Lar. x 65 cm Hau.
Poids du produit :	61,5 kg
Dégagement d'inclinaison requis :	71 cm
Poids de charge maximal :	149,7 kg

*La fiche technique est sujette à modifications sans préavis.



humantouch.com
800.355.2762



manual de uso y
cuidado

Registre su producto **EN LÍNEA** hoy

www.humantouch.com/register

Registre su producto **EN LÍNEA** hoy

www.humantouch.com/register



Durante más de 35 años, Human Touch se ha establecido como líder de la industria que cambia las vidas de sus clientes con productos y servicios que los ayudan a sentirse, desempeñarse y vivir en la mejor manera posible. Ofrecemos productos desarrollados en colaboración con la comunidad médica y expertos de la industria, productos que combinan tecnología patentada, artesanía y ergonomía inteligente con un diseño superior para ofrecer alivio terapéutico para todos.

Nuestras sillas de masaje, sillas reclinables Perfect Chair® y un conjunto de soluciones innovadoras en evolución, líderes de la industria, comparten los atributos de facilidad de uso, atención al rendimiento y calidad, y diseño para adaptarse a casi cualquier estilo de vida. Estos atributos son muy apreciados por nuestros clientes y obtienen premios y el reconocimiento de toda la industria. Como resultado, Human Touch permite a la gente a disfrutar de una mayor salud y vitalidad en sus profesiones, actividades y vida cotidiana. Y con una población cada vez más consciente de los beneficios del bienestar, Human Touch extiende su liderazgo de marca y soluciones disponibles para el beneficio de todos.

humantouch.com

Registre su producto en www.humantouch.com para garantizar que su producto esté en nuestro sistema y simplificar el proceso de garantía, en caso de que la necesite.



Le damos la bienvenida a [human touch](http://humantouch.com)®

Una persona con dolor de espalda sabe qué agotador puede ser y lo difícil que es encontrar alivio. La silla Human Touch® Circa ZG combina los beneficios terapéuticos de la gravedad cero con la tecnología del masaje de aire, calor en múltiples zonas y posición potenciada para cada parte de la silla. Con líneas bien definidas y diseño innovador, Circa ofrece tanto alivio al dolor postural como un control excepcional de su comodidad..

Las sillas de gravedad cero Human Touch se reclinan posicionando su espalda y elevando sus piernas por encima de su corazón. Es esta posición terapéutica que los médicos recomiendan como la forma más saludable de sentarse. A medida que la silla se reclina, los músculos comienzan a relajarse inmediatamente. Cuando la silla alcanza la gravedad cero, hay una reducción importante de la irritación muscular, que promueve la salud de la columna y el alivio del dolor de espalda.

Con el respaldo de millones de dólares y años de investigación, los productos Human Touch son las únicas sillas terapéuticas avaladas por la Federación Mundial de Quiroprácticos. Para garantizar que no olvide ninguna de sus funciones y que la utilizará en forma segura, lea este manual detenidamente. ¡Luego siéntese, relájese y disfrute de los muchos beneficios de la silla Circa ZG!

manténgala en forma segura

INSTRUCCIONES DE SEGURIDAD IMPORTANTES

Cuando utilice un artefacto eléctrico, debe tener siempre precauciones especiales, incluidas las siguientes:

Lea todas las instrucciones antes de usar este artefacto.

⚠ PELIGRO: Para reducir el riesgo de sacudida eléctrica: **Desconecte siempre este producto del tomacorriente inmediatamente después de usarlo y antes de limpiarlo.**

⚠ ADVERTENCIA: Para reducir el riesgo de quemaduras, incendio, sacudida eléctrica o lesiones personales:

- No coloque las manos ni los dedos cerca del mecanismo de masaje, ni de los rodillos mientras este producto esté en funcionamiento. Tocar el mecanismo puede producir lesiones causadas por los rodillos que producen un efecto de compresión.
- Si el cable de alimentación está deteriorado, el fabricante, su agente de servicio o una persona calificada similar debe reemplazarlo para evitar peligros.
- Un artefacto nunca debe dejarse desatendido mientras esté conectado. Cuando no esté en uso, desconéctelo del tomacorriente antes de colocarlo o retirarle piezas.
- No lo ponga en funcionamiento bajo una sábana o cojín. Puede ocurrir el calentamiento excesivo y producir un incendio, sacudida eléctrica o lesiones personales.
- Se requiere su supervisión muy de cerca cuando este artefacto es utilizado por, con o cerca de niños, personas inválidas o discapacitadas.
Mantenga a los niños retirados del apoyapiés cuando esté extendido (o de otras piezas similares).
- Utilice este producto solamente para el uso que se describe en este manual. No utilice conexiones no recomendadas por el fabricante.
- Nunca haga funcionar este artefacto si tiene un cable o enchufe dañado, si no funciona correctamente, si se ha caído o deteriorado, o si ha caído en el agua. Devuelva este producto a un centro de servicio para su revisión y reparación.
- No hale este artefacto por el cable de alimentación, ni utilice el cable como mango.
- Mantenga siempre el cable de alimentación alejado de superficies calientes.
- Nunca haga funcionar este artefacto con los orificios de ventilación obstruidos. Mantenga los orificios de ventilación libres de pelusa, cabellos y cosas por el estilo.
- Nunca deje caer ni introduzca objetos en ningún orificio o abertura.
- No se utilice en exteriores.
- No se utilice en lugares donde se empleen productos en aerosol (spray) o donde se administre oxígeno.
- Para desconectarlo, apague todos los controles colocándolos en posición OFF y luego retire el enchufe del tomacorriente.
- No masajee ninguna zona del cuerpo que esté hinchada, inflamada o cubierta con erupciones.
- No se utilice si presenta dolor en las pantorrillas de causa desconocida.
- No utilice este producto sobre el piso húmedo o mientras alguna parte del cuerpo esté en contacto con tuberías o tomas de tierra similares.
- No use este producto si escucha ruido más fuerte del sonido normal.
- No se ponga de pie sobre el artefacto. Úselo solamente sentado.
- Este artefacto no está destinado para personas (incluidos niños) con discapacidades físicas, sensoriales o mentales, o sin experiencia y conocimientos para el uso de este producto, a menos que la persona responsable por su seguridad le haya instruido o supervisado en el uso de este artefacto. Se debe supervisar a los niños muy de cerca para asegurarse de que no jueguen con este artefacto.

Precauciones de seguridad

- Se recomienda usar ropa cómoda mientras se utiliza este producto.
- Este producto ha sido diseñado para usarlo en posición relajada. Nunca fuerce ninguna parte del cuerpo hacia el área del espaldar mientras los rodillos estén en movimiento.
- Si siente alguna molestia anormal durante el funcionamiento de este producto, apague la alimentación eléctrica de inmediato y no utilice este producto. Consulte a su médico.
- No se sienta sobre el control.
- No hale el cable de CA.
- Cuando utilice este producto después de haberse mantenido almacenado, compruebe que funciona debidamente antes usarlo.
- Compruebe siempre que no haya obstáculos detrás del producto y que haya espacio suficiente para reclinarlo.

CONSERVE ESTAS INSTRUCCIONES

No intente reparar este producto usted mismo.

- Este producto está diseñado para uso personal en casa. Su uso comercial anula la garantía.
- Para reducir el riesgo de sacudida eléctrica, este artefacto tiene un enchufe polarizado (un contacto más ancho que el otro). Este enchufe se adapta a los tomacorrientes polarizados sólo de una forma. Si el enchufe no se acopla bien al tomacorriente, voltéelo para invertir los contactos. Si aun así no se acopla, comuníquese con un electricista calificado para instalar el tomacorriente adecuado. No cambie el enchufe.

Este dispositivo cumple con la Parte 15 de las Reglas de la Comisión Federal de Comunicaciones (Federal Communications Commission, FCC).

El funcionamiento está sujeto a las dos condiciones siguientes: (1) Este dispositivo no puede causar interferencias perjudiciales, y (2) este dispositivo debe aceptar cualquier interferencia recibida, incluidas interferencias que puedan causar un funcionamiento no deseado.

⚠ ADVERTENCIA: Los cambios o modificaciones a esta unidad no aprobados expresamente por la parte responsable del cumplimiento podrían anular la autoridad del usuario para operar el equipo.

⚠ ADVERTENCIA: Este producto está equipado con un protector térmico de restablecimiento. Es una característica de seguridad adicional para protegerle a usted y al producto contra el recalentamiento. Si el producto se detiene repentinamente y no arranca, coloque el interruptor principal ubicado en la parte posterior del producto en posición de apagado (Off) y no ponga el producto en funcionamiento al menos durante 30 minutos. Si no apaga el producto, el producto puede reiniciar el funcionamiento de repente mientras se enfría.

prepárese

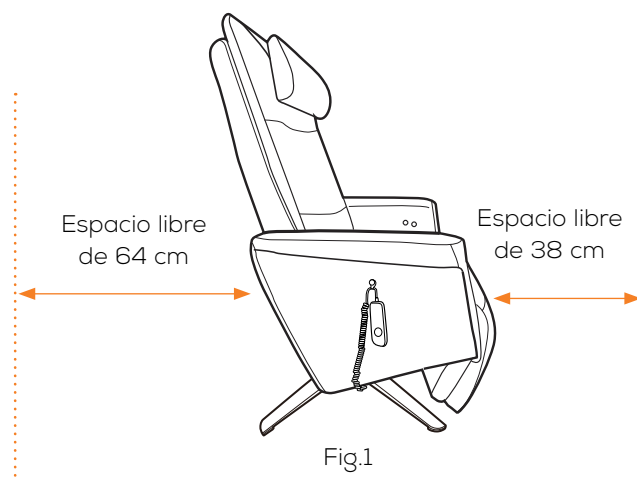
Desenvuelva el producto



COLOQUE LA SILLA

1. Tenga en cuenta lo siguiente a la hora de elegir la ubicación de la silla:

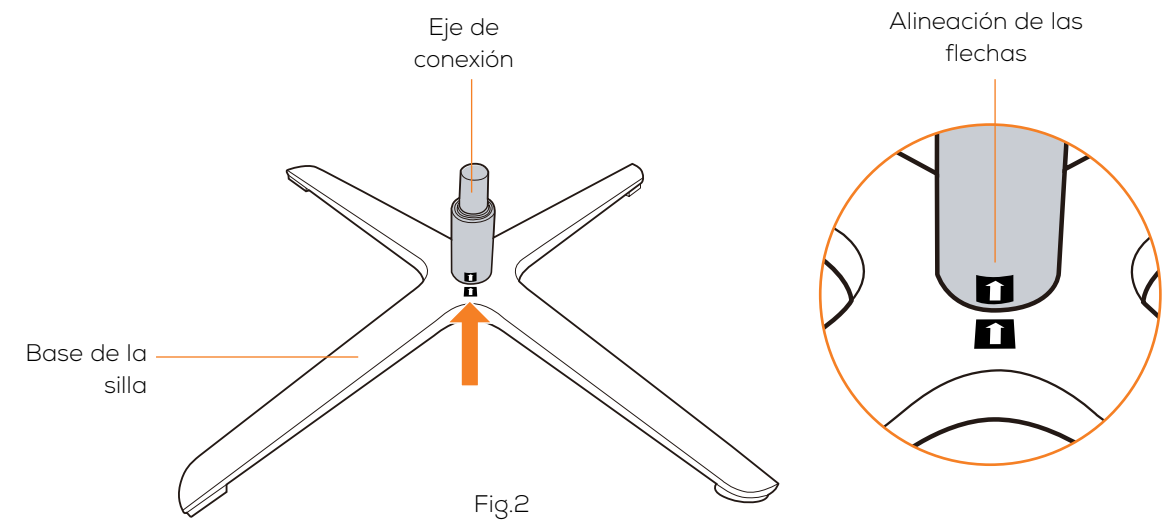
- Coloque la silla sobre una superficie plana, nivelada y alfombrada para evitar daños en el suelo y minimizar el ruido del motor de la silla.
- Elija una ubicación que no esté expuesta a la luz solar directa durante periodos prolongados, para evitar que la tapicería se decolore.
- Deje un espacio libre de al menos 64 cm detrás de la silla y de 38 cm delante de ella (Fig.1).



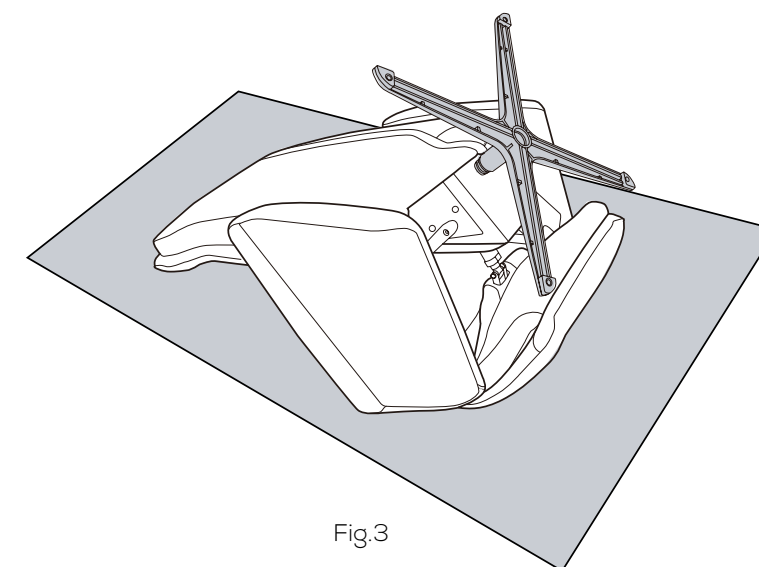
La silla Human Touch Circa ZG requiere una instalación sencilla. Solo instale el cuerpo de la silla a la base, conecte el cable de alimentación, coloque el cojín de la cabeza ¡y listo!

INSTALE LA SILLA

1. Para evitar rayar la silla, elija un lugar alfombrado o coloque una manta limpia en el suelo para el montaje (Fig.3).
2. Coloque la parte frontal del cuerpo de la silla en el suelo y, a continuación, inclínela hacia delante hasta que el apoyacabezas llegue al suelo (Fig.3).
3. Instale el extremo grande del eje de conexión en el receptáculo de la base de la silla, alineando las flechas (Fig.2).



4. Deslice el extremo pequeño del eje de conexión en el receptáculo de la base de la silla (Fig.3).



5. Lleve la silla a la posición vertical.

6. Confirme que la silla gira (Fig.4).

NOTA: Por razones de seguridad, la silla no girará cuando esté reclinada más allá de un ángulo de 125 grados.

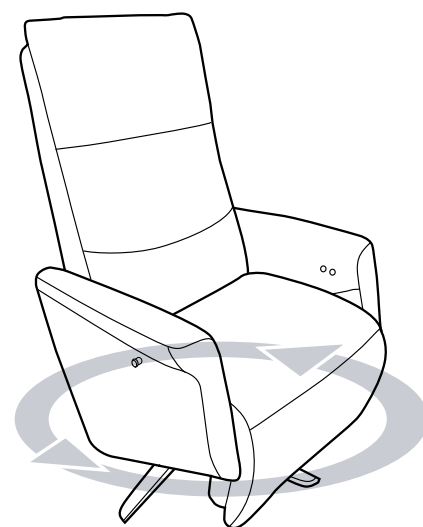


Fig.4

INSTALE LA ALIMENTACIÓN ELÉCTRICA

1. Conecte el cable de la base de la silla a la alimentación eléctrica (Fig.5).
2. Lleve el seguro del cable a la posición horizontal para asegurar la conexión.
3. Enchufe un extremo del cable a la alimentación eléctrica y el otro a un tomacorriente de pared.

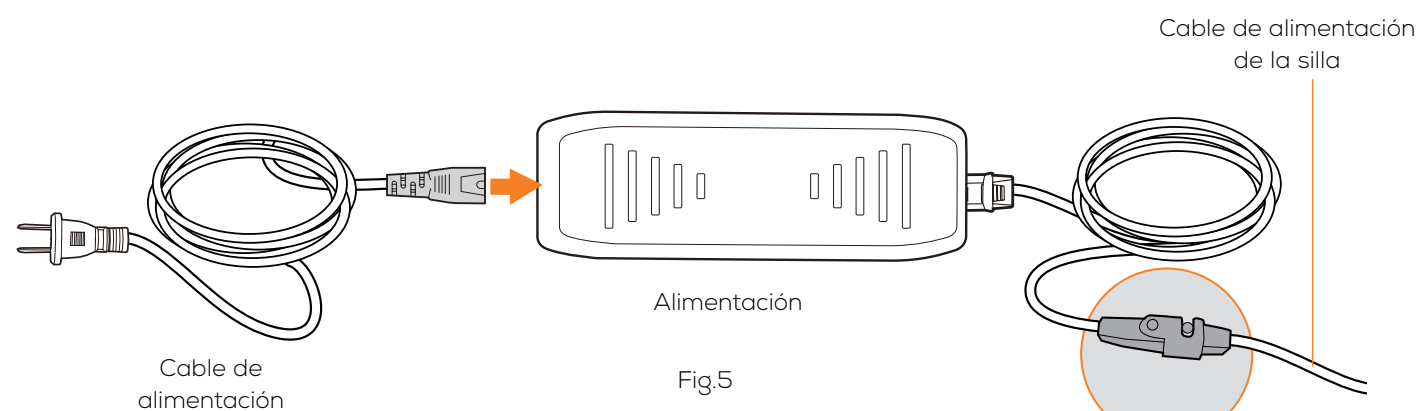
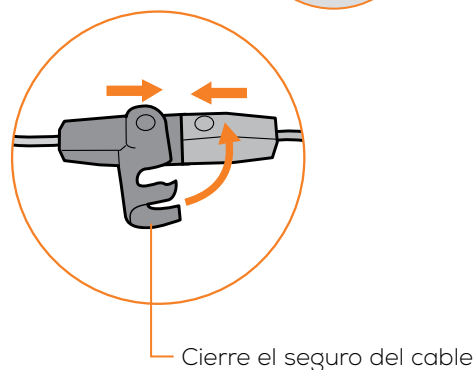


Fig.5



Cierre el seguro del cable

INSTALE EL COJÍN DE LA CABEZA

Coloque el cojín de la cabeza en la posición deseada (Fig.6).

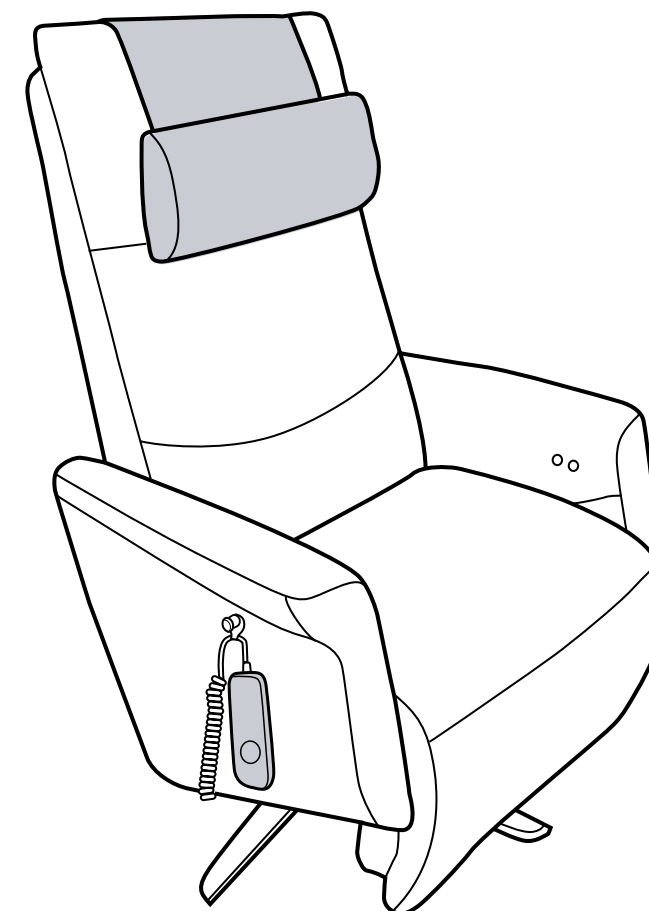


Fig.6

COLOQUE EL CONTROL REMOTO

Deslice el lazo del mando a distancia sobre la barra de montaje situada en el lado derecho de la silla (Fig. 6).

tome asiento

AJUSTE EL ÁNGULO DE RECLINACIÓN

Utilice los botones situados en el interior de cada apoyabrazos o los botones **Reclinar/Inclinar** y **Piernas arriba/Piernas abajo** para ajustar la silla a la posición deseada (fig.7).

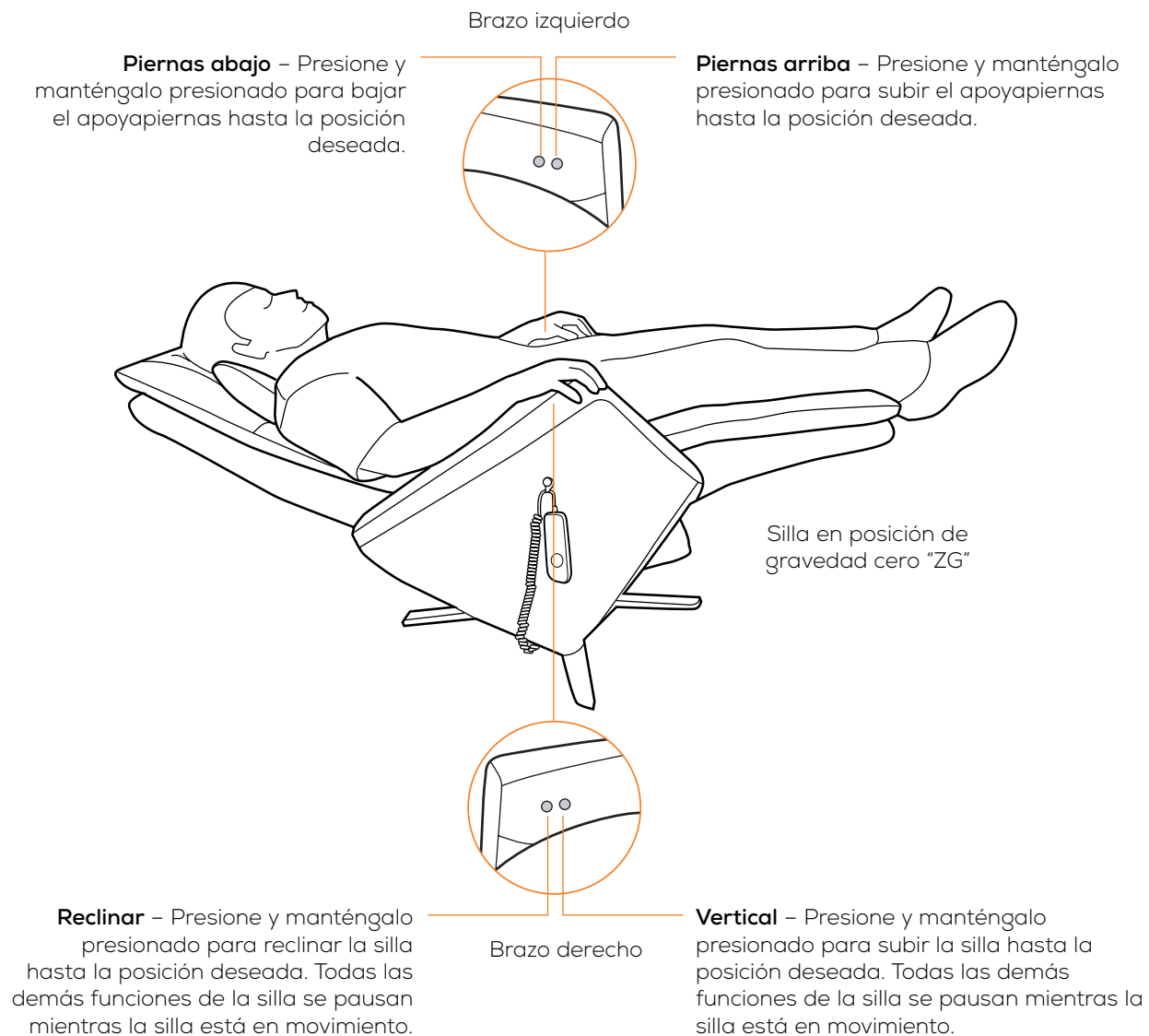
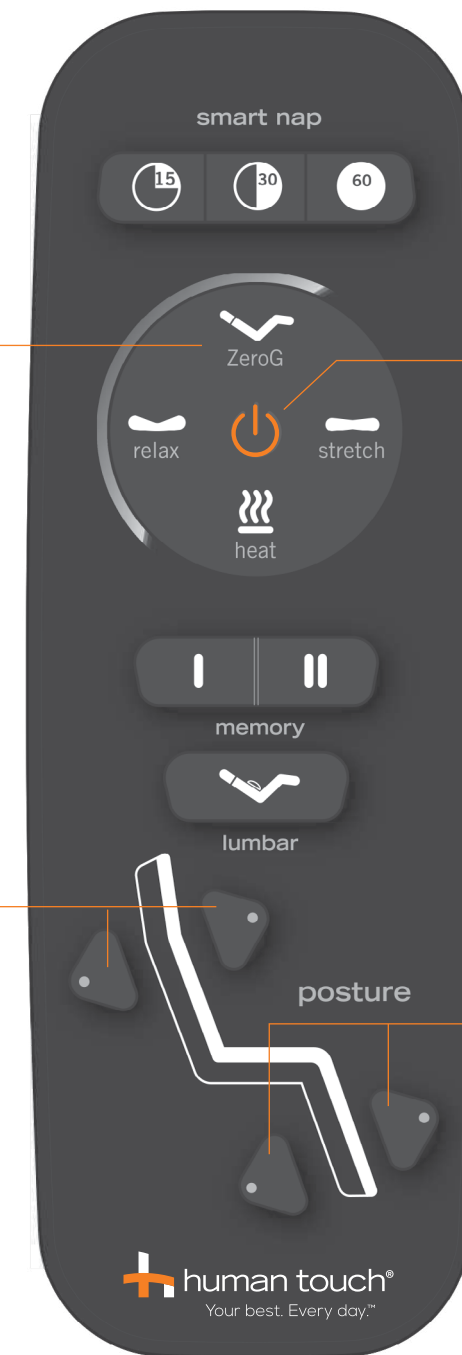


Fig.7

Su Silla ZG de Human Touch es fácil de usar. Solo siéntese y use el Sistema de reclinación Precision Power para ajustar la silla en la posición deseada. La silla Circa lo posiciona cómodamente con cero gravedad, con los pies por encima del nivel del corazón, la postura neutra más novedosa para aliviar el estrés.

ZeroG – Presione y suelte para inclinarse a la posición de gravedad cero. Para detener la reclinación automática, pulse de nuevo el botón.

Reclinar/Inclinar – Presione y manténgalo presionado para reclinar/inclinar la silla hasta la posición deseada. Todas las demás funciones de la silla se pausan mientras la silla está en movimiento.



Encendido – Presione para encender los programas a distancia (puede utilizar los botones de postura sin presionar primero el botón de encendido). El botón se ilumina para indicar que los programas a distancia están activos. Presione para devolver la silla a la posición vertical con el apoyapiernas descendido.

IMPORTANTE: Pulse el botón de encendido para detener todos los movimientos de la silla y la función de masaje.

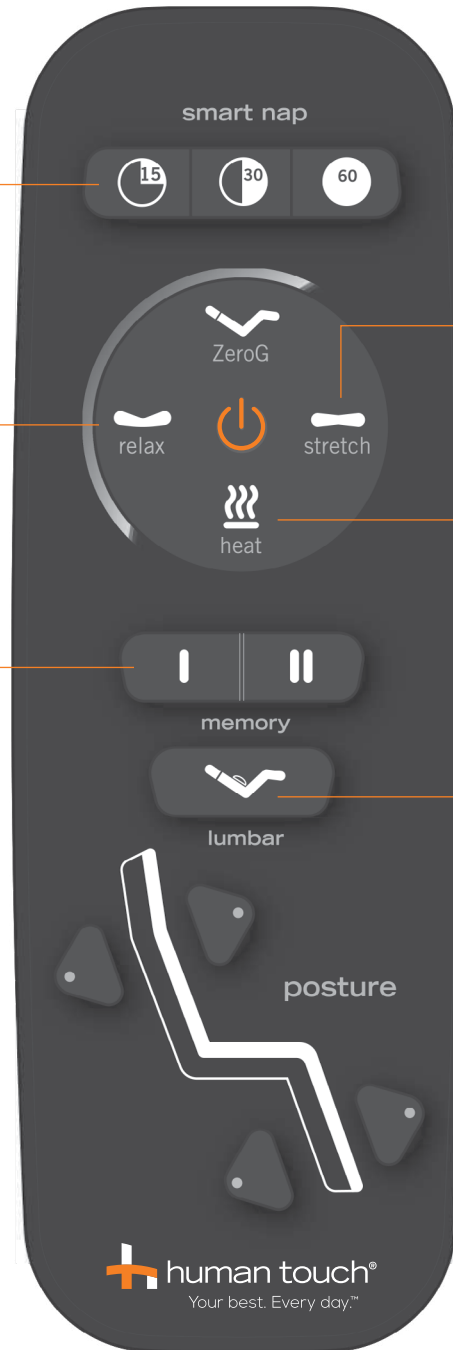
Piernas arriba/Piernas abajo – Presione y manténgalo presionado para subir/bajar el apoyapiernas hasta la posición deseada. Todas las demás funciones de la silla se pausan mientras el apoyapiernas está en movimiento.

tome el control

Siesta inteligente – Pulse el botón de siesta de 15, 30 ó 60 minutos, cierre los ojos y déjese llevar por el sueño. Una vez transcurrido el tiempo seleccionado, el botón de encendido se coloca en intermitencia, comienza un suave masaje de aire y la silla vuelve a la posición vertical.

Relajación – Presione para activar un suave masaje por aire, perfecto para relajarse y aflojar los músculos.

I & II – Mantenga presionado un botón de memoria hasta que el control emita un pitido, para guardar la posición actual de la silla y poder recuperarla fácilmente.



Estiramiento – Presione para activar un masaje de suave a moderado que se centra en estirar la columna vertebral para aliviar el estrés.

Calor – Presione para encender y apagar el calor; el botón se ilumina cuando el calor está encendido.

Soporte lumbar –

1. Presione para inflar lentamente el sistema de aire lumbar..
2. Cuando la zona lumbar alcance el nivel de inflado deseado, presione de nuevo para detener el inflado (se detiene automáticamente a los 15 segundos).
3. Presione de nuevo para desinflar lentamente el sistema de aire lumbar.

NOTAS:

- Los programas Relax y Stretch anulan el ajuste Lumbar.
- El sistema lumbar se desinfla automáticamente cuando el botón de encendido del control remoto está apagado.

Temporizador automático – Esta silla dispone de un temporizador de apagado automático de 15 minutos para todas las funciones excepto la de calor, que se apaga al cabo de una hora. Presione cualquier botón para reanudar el uso de la silla.

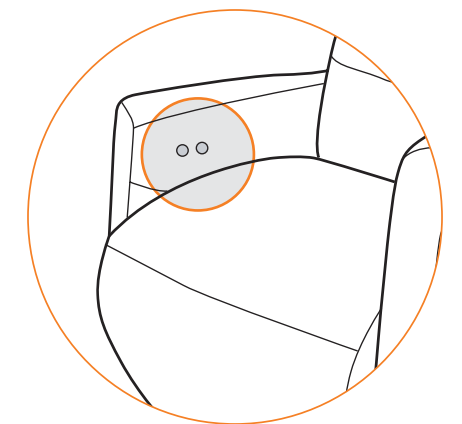
Ahora, personalice su masaje. Elija entre las tres opciones de masaje programado del sistema de masaje por aire de la Terapia de ondulación de la silla reclinable Circa ZG para obtener un masaje relajante, estiramiento terapéutico de la columna vertebral, o estiramiento lumbar focalizado. También puede agregar calor en el área de la espalda y/o asiento. Luego, solo cierre sus ojos y ¡sumérgase en un profundo alivio!

SALIR DE LA SILLA

Para salir de la silla correctamente, presione el botón **Power** (Encendido) del control remoto para regresar la silla a su posición vertical.

BLOQUEO DE LAS FUNCIONES DE LA SILLA

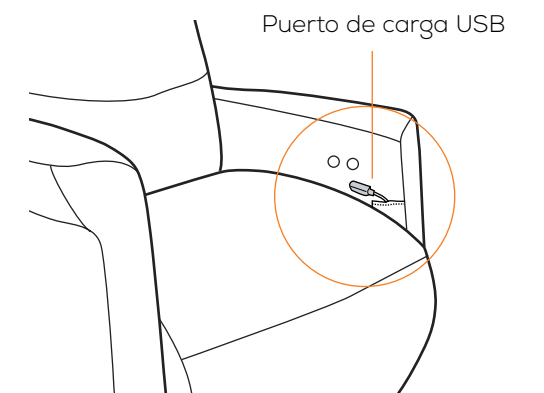
Presione dos botones de control del brazo del mismo lado simultáneamente durante al menos cinco segundos para bloquear todos los botones del brazo. Repita este proceso para desbloquear los botones (Fig.8).



Brazo derecho
Fig.8

USO DEL PUERTO DE CARGA USB

Enchufe cualquier dispositivo USB tipo A en el práctico puerto de carga situado en el interior del apoyabrazos izquierdo para cargarlo (Fig.9).



Puerto de carga USB
Fig.9

cuidado y mantenimiento

Para mantener su producto en funcionamiento y luciendo bien, siga estos pasos simples para su cuidado.



ADVERTENCIA:

1. Asegúrese de desconectar el cable de alimentación del tomacorriente antes de limpiar la silla.
2. Cuando limpie el control o el interruptor de alimentación, utilice solamente un paño seco. Nunca utilice un paño húmedo para limpiar el control ni el interruptor de alimentación.
3. Asegúrese de probar las soluciones limpiadoras en una superficie pequeña no visible del producto para garantizar que el color no se desvanezca antes de usar la solución en toda la superficie del producto.
4. No utilice benceno ni disolventes en su producto.

Estándar de código de limpieza: W

Para mantener su producto Human Touch en óptimas condiciones, limpie el polvo de la silla frecuentemente y/o con una aspiradora de cepillo suave. Los productos SofSuede® también se pueden cepillar con un cepillo para gamuza. Si su producto se ensucia, use solo un limpiador de tapicería a base de agua. Para tratar las manchas, limpie el área manchada con un champú para tapicería o una espuma detergente suave.

El cuero natural es un material poroso que respira, similar a la piel humana, y es susceptible a los cambios de color debido a la absorción de suciedad, sudor, humedad, grasas y aceites. Se debe tener cuidado para evitar o minimizar el contacto con la piel desnuda y el cabello, así como con alimentos, ya que esto puede causar decoloración, especialmente en los colores de cuero más claros. Se puede conseguir cierta protección contra la decoloración, el agrietamiento y el secado al frotar toda la superficie del cuero periódicamente con cera de abejas, jabón para cuero o un acondicionador natural para cuero de un proveedor de confianza (siga cuidadosamente las instrucciones de aplicación).

Mantenimiento y reparación:

1. La mecánica de este producto está especialmente diseñada y construida para no requerir mantenimiento. No se requiere servicio ni lubricación periódicamente.
2. La silla sólo debe recibir servicio por parte de un centro de servicio autorizado.

Almacenamiento:

1. Cuando no se utilice por un largo período, recomendamos cubrir la silla, enrollar el cable de alimentación y colocar la unidad en un lugar libre de polvo y humedad.
2. No lo conserve cerca del calor, ni de las llamas.
3. No deje este producto expuesto a la luz solar directa por largos periodos de tiempo. Ello puede causar decoloración o daños.
4. No utilice o almacene el producto a temperaturas extremas; si el producto se almacena a bajas temperaturas, puede ser necesario que el producto esté a temperatura ambiente por 48 horas para que funcione correctamente.
5. El producto se debe utilizar y almacenar en un ambiente sin condensación de humedad que oscile entre un 10 y un 80%. La humedad excesiva dañará la mecánica del producto.

¿tiene dificultades?

Antes de llamar al servicio de atención al cliente, realice estos sencillos pasos de solución de problemas:

En caso de que su Circa muestre un comportamiento de reclinación anormal, haga lo siguiente para restablecer la silla por completo: simplemente como con cualquier otro artefacto electrónico, esta simple secuencia de restablecimiento resolverá muchos problemas:

1. Desconecte la silla de la fuente de alimentación.
2. Espere 30 segundos.
3. Reconecte el cable de alimentación a la fuente de alimentación.

Si la silla no tiene electricidad:

1. **Revise el cable de alimentación** - Compruebe que el cable de alimentación no esté dañado.
2. **Revise el tomacorriente de pared** - Conecte un artefacto que usted sepa que funciona al tomacorriente para comprobar que el tomacorriente de pared está en buenas condiciones.

Si el problema persiste, haga lo siguiente antes de comunicarse con nuestro Equipo de experiencia del cliente (esto nos servirá para ayudarlo más rápidamente):

1. Ubique el Número de serie indicado en la parte posterior de la silla y anótelos.
2. Ubique su comprobante de compra, ya que lo necesitaremos para procesar cualquier reclamo de garantía.
3. ¡Luego de seguir estos pasos, estará listo para contactarnos!

¿Tiene preguntas sobre las almohadillas?

Antes de llamar a Servicio al cliente, considere lo siguiente:

- Pequeños arañazos, leves cambios de color y un cierto estiramiento son normales en el desgaste del cuero con el paso del tiempo.
- Las almohadillas de Circa son tapicería de "cojín suave", por lo que algunas arrugas y pliegues son parte de su apariencia intencional.
- Como con cualquier tapicería suave, los hábitos al sentarse pueden causar arrugas y pliegues que pueden aumentar con el tiempo. Las arrugas se pueden alisar si se detectan temprano, o bien puede retirar y reinstalar la almohadilla para un mejor resultado.
- Es normal que la espuma de tapicería, ya sea espuma estándar o espuma con memoria, se asiente y se comprima en cierta medida con el tiempo, lo cual puede alterar su apariencia un poco.
- Si las almohadillas se tuercen, se hunden, hacen ruido, o se vuelven incómodas, retire y reinstale el juego de almohadillas, para lo cual debe **seguir cuidadosamente las instrucciones** de este manual.

¿Tiene problemas? Comuníquese con nuestro Equipo de experiencias del cliente a través del número **800-355-2762** de lunes a jueves de 7 a.m. a 4:30 p.m. PST, viernes de 7 a.m. a 3:30 p.m. o escriba a

csadmin@humantouch.com

Especificaciones*

Voltaje de operación:	CA 110-120 V, 60 Hz
Consumo de energía:	56 W, CC 29V, 2.0 A
Tamaño de la silla (reclinada):	168 cm La x 83 cm An x 65 cm Al
Peso del producto:	61,5 kg
Espacio necesario para reclinarla:	71 cm
Peso máximo de carga:	149,7 kg

*Las especificaciones quedan sujetas a cambio sin previo aviso.