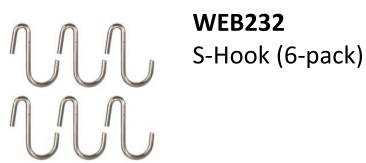
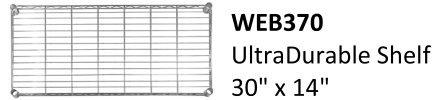


Additional parts and accessories are available for purchase online at:  
[www.SevilleClassics.com](http://www.SevilleClassics.com)



View assembly online here:  
<https://www.youtube.com/watch?v=N6iRVVqBG-I>

## Caution

Place heavier items on the lower shelves and lighter ones on the top.  
Do not stand or climb on the shelving system.  
Do not drop heavy items on the system.  
Do not move the system while loaded.

## Specifications

Dimensions: 17.5" W x 7.5" D x 18.5" H

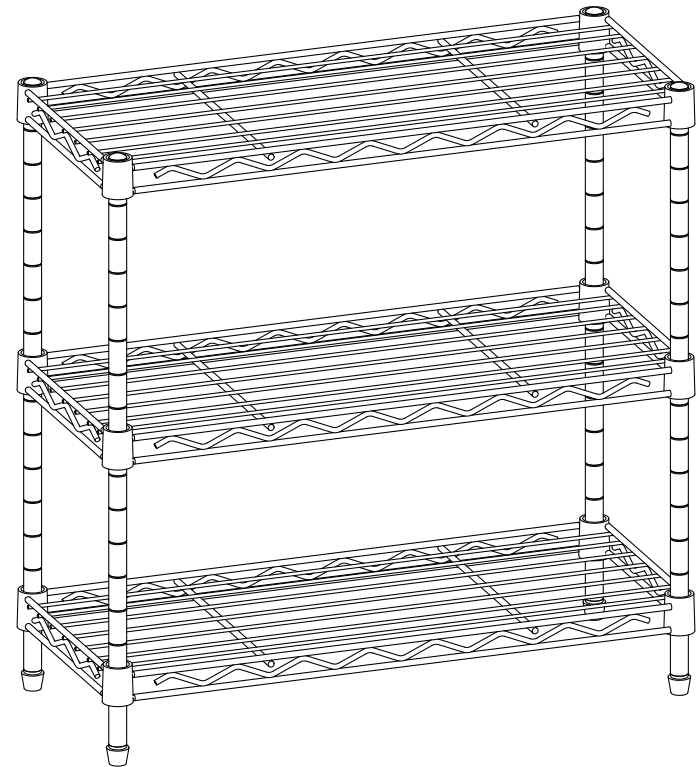
Weight capacity	Per shelf	Overall
On leveling feet	<b>15 lbs.</b> (6.8 kg.)	<b>45 lbs.</b> (20.4 kg.)

## Customer Service Information

**Telephone:** (800) 323-5565  
**Fax:** (310) 533-3899  
**Hours:** 8:30 AM – 4:30 PM (PST)  
**Email:** [Support@SevilleClassics.com](mailto:Support@SevilleClassics.com)  
**Homepage:** [www.SevilleClassics.com](http://www.SevilleClassics.com)

# seville classics®

3-Tier Steel Wire Shelving  
17.5" W x 7.5" D x 18.5" H



Model #: WEB911

Thank you for choosing Seville Classics! We hope that you enjoy your steel wire shelving! Please read through this guide for parts list, assembly instructions, frequently asked questions and further contact information.

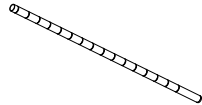
# Parts List

Please make sure you have all the parts on this list.

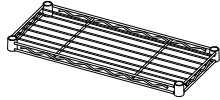
A. Slip Sleeves (12)



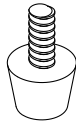
B. Poles (4)



C. Shelves (3)

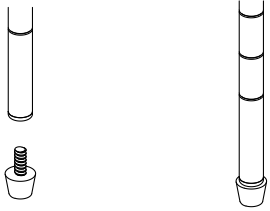


D. Feet (4)



If you're missing parts, contact us for replacements at (800) 323-5565 or send an email to [Support@SevilleClassics.com](mailto:Support@SevilleClassics.com)

## Assembly Instructions



### STEP 1.

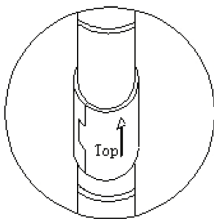
Screw **FEET (D)** into base of poles.

Repeat for all bottom poles.

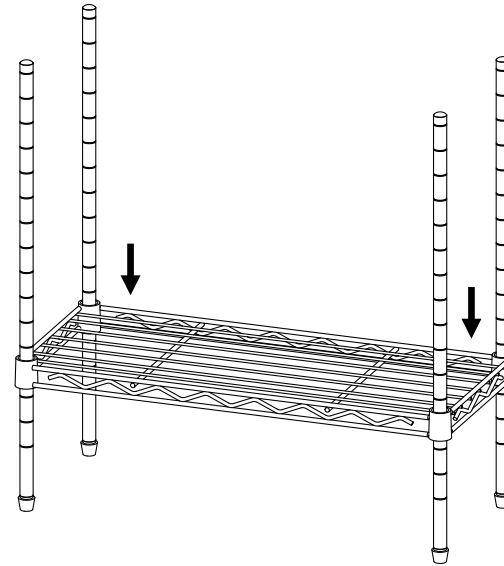
### STEP 2.

Snap **SLIP SLEEVES (A)** around the grooves on **POLES (B)** for your lowest shelf.

**TIP!** Count the number of grooves from the bottom of the pole to keep the height consistent.

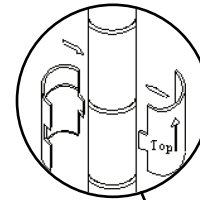


1



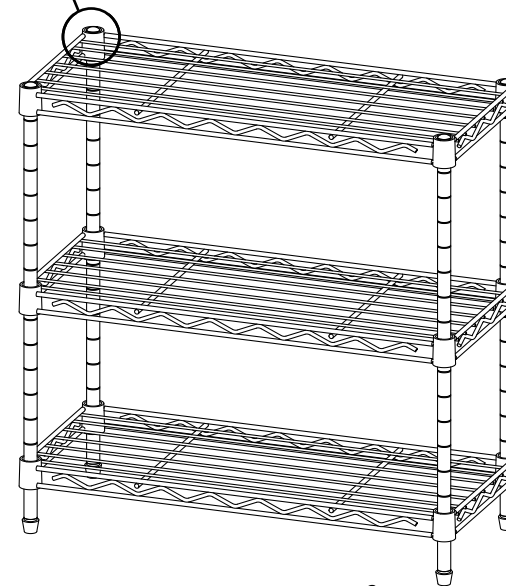
### STEP 3.

Fit **SHELF (C)** over the top of the 4 poles and over **SLIP SLEEVES (A)**.



Repeat **STEPS 2-3** for remaining shelves.

**TIP!** If necessary, lightly tap shelves into place with a rubber mallet.



2