



ASSEMBLY INSTRUCTIONS

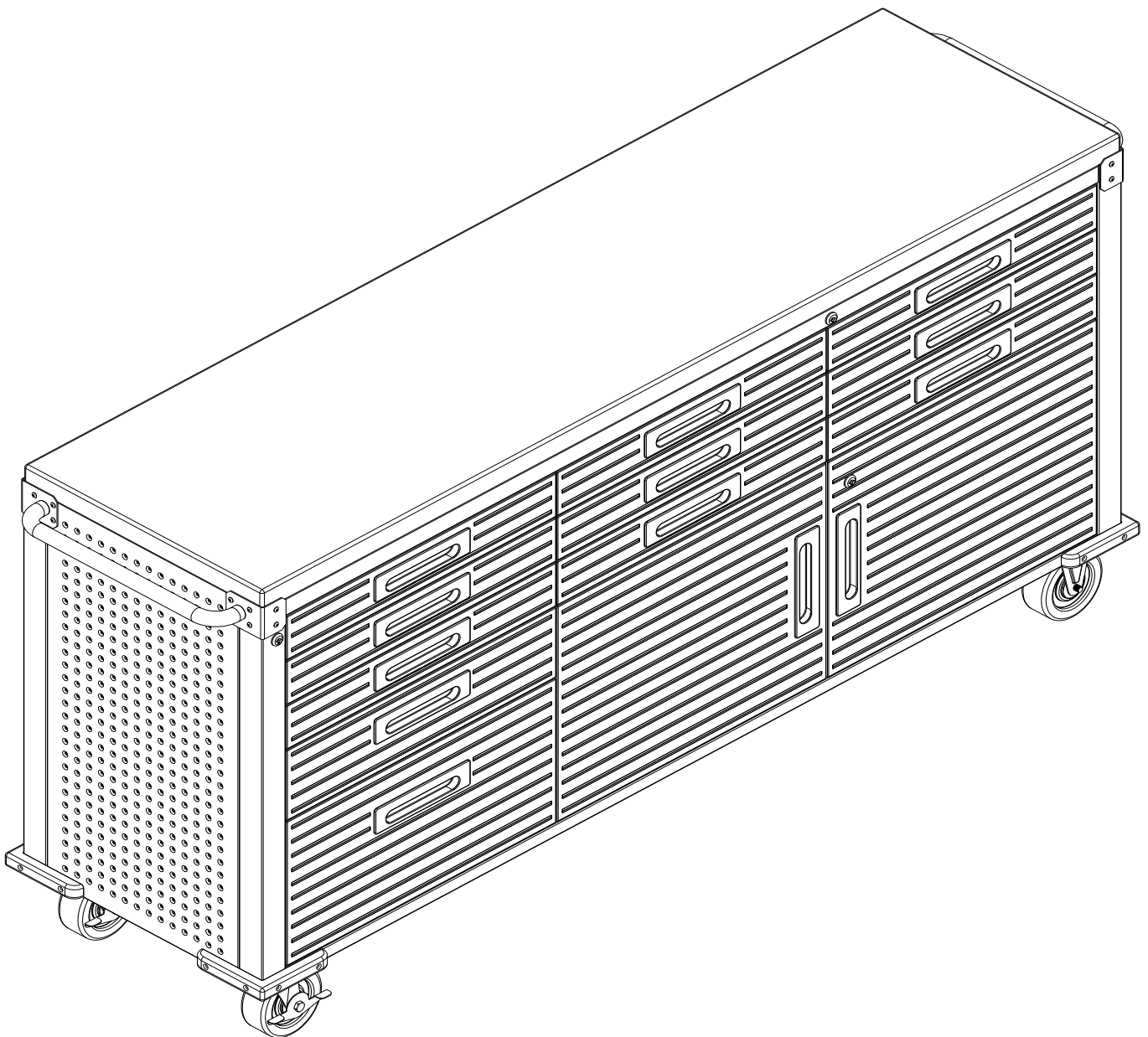
UltraHD Rolling Workbench (Model No. 20262)

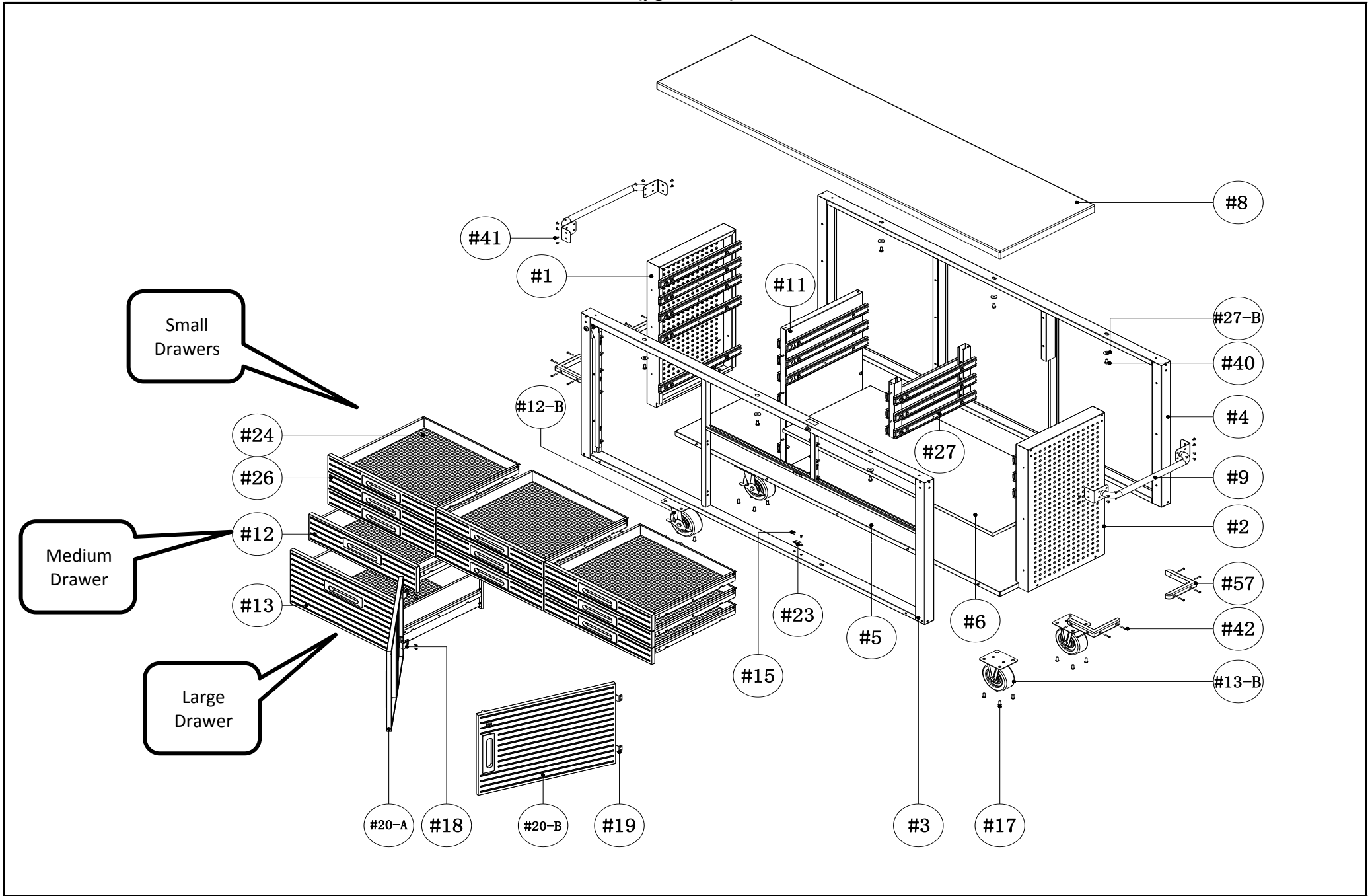
77 in. W X 20 in. D X 37.5 in. H
(1.95m W x 50.8cm D x 95.2cm H)

ULTRAGUARD®

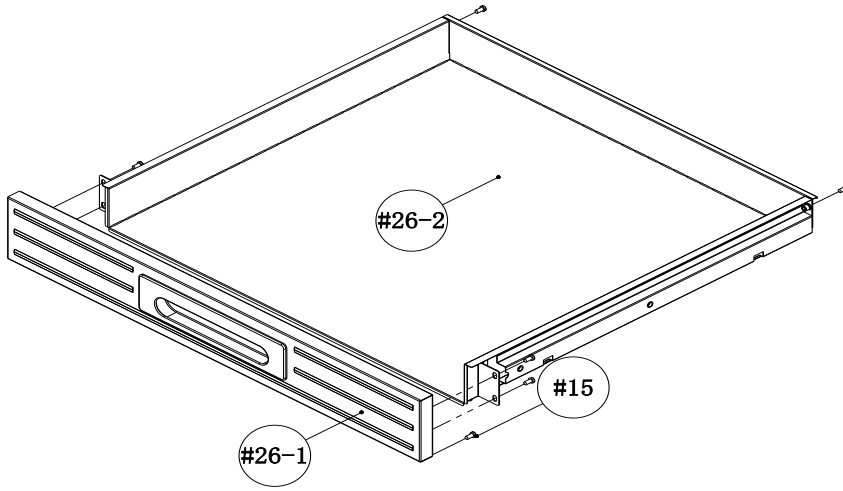
FINGERPRINT RESISTANT SURFACES
AND INCREASED DURABILITY

Reference page 14 for special care and
maintenance of stainless steel

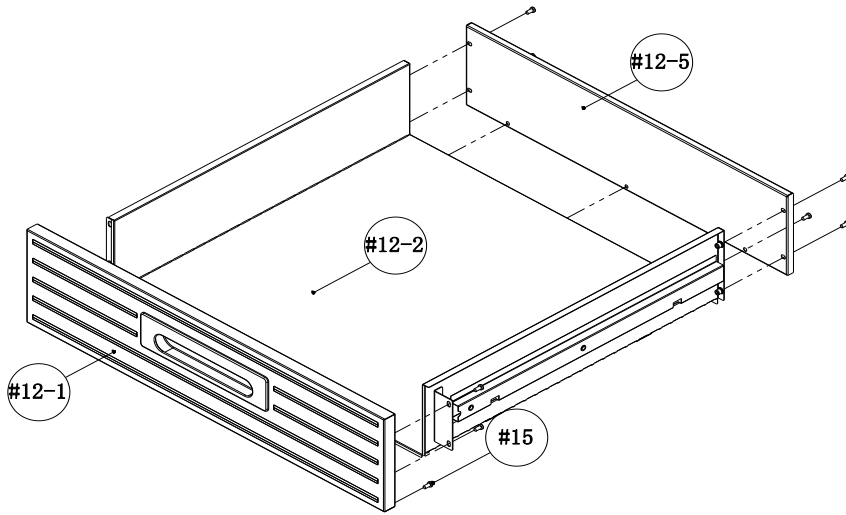




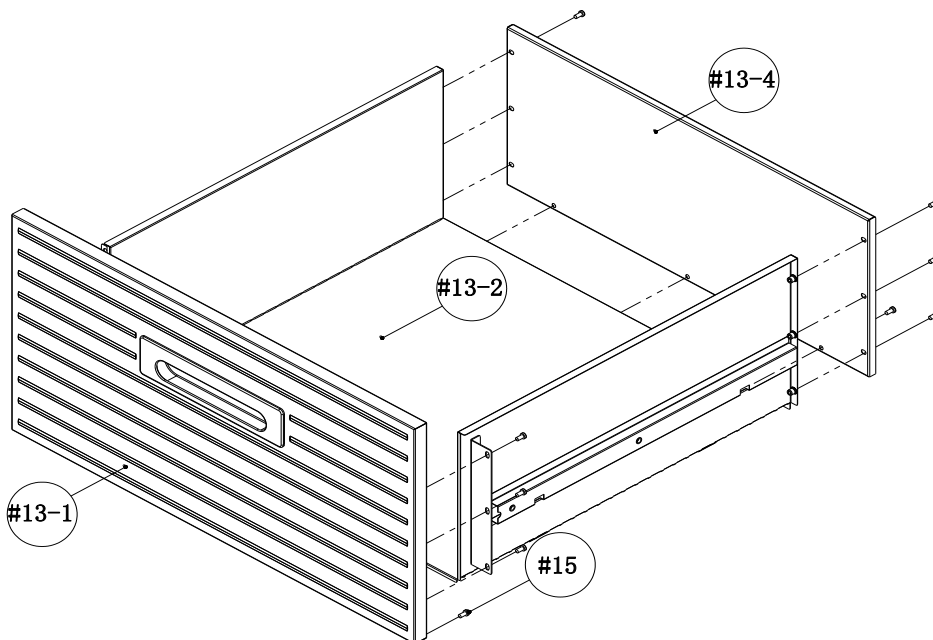
Small Drawer



Medium Drawer

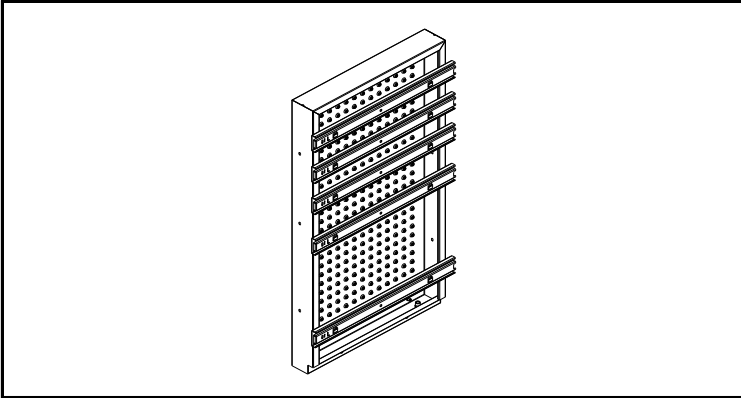


Large Drawer

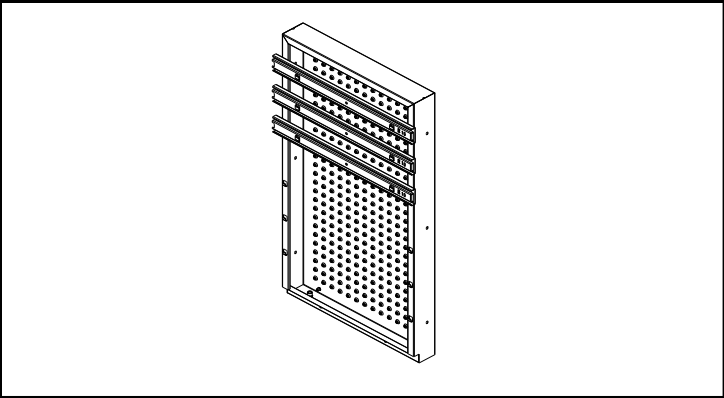


PARTS LIST (pg 3 of 15)

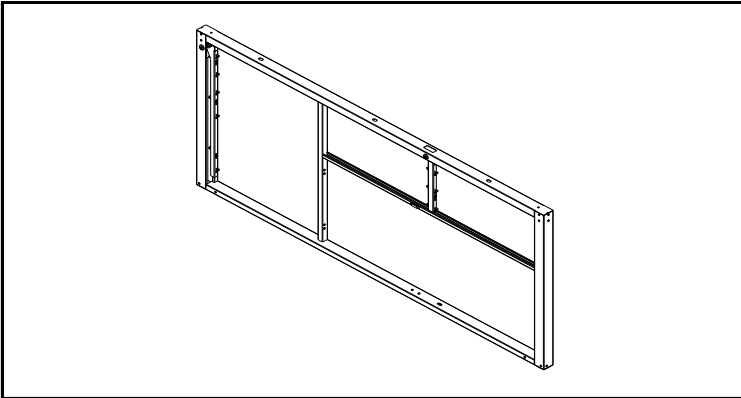
Please check the parts carefully according to the parts list. If you are missing any parts, please contact our customer service department (please refer to page 15 of 15).



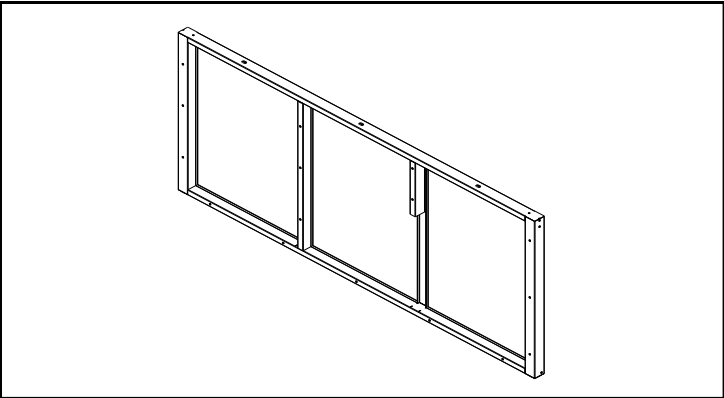
(#1) LEFT SIDE PANEL x 1 PC



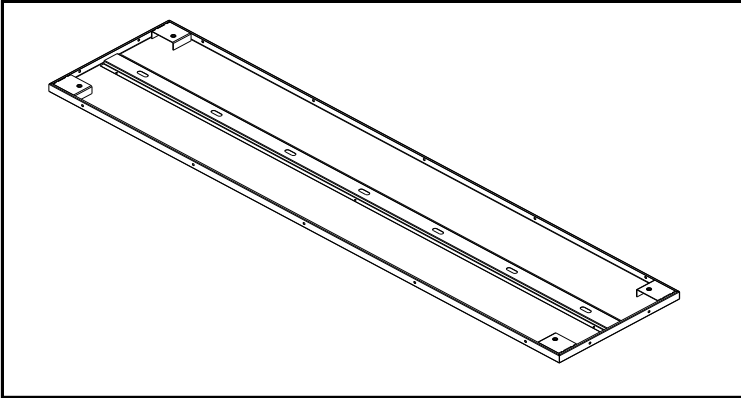
(#2) RIGHT SIDE PANEL x 1PC



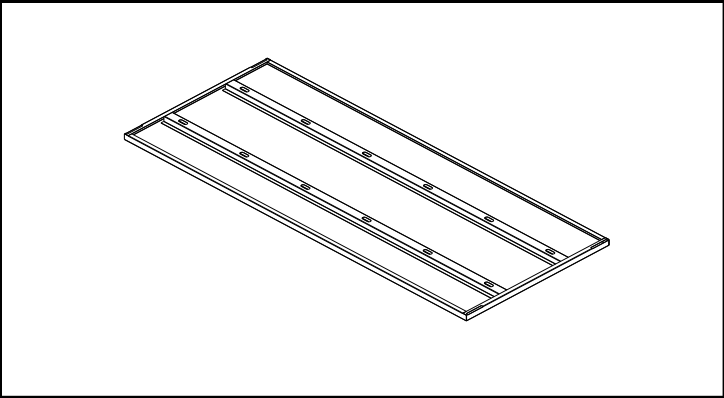
(#3) FRONT FRAME x 1 PC



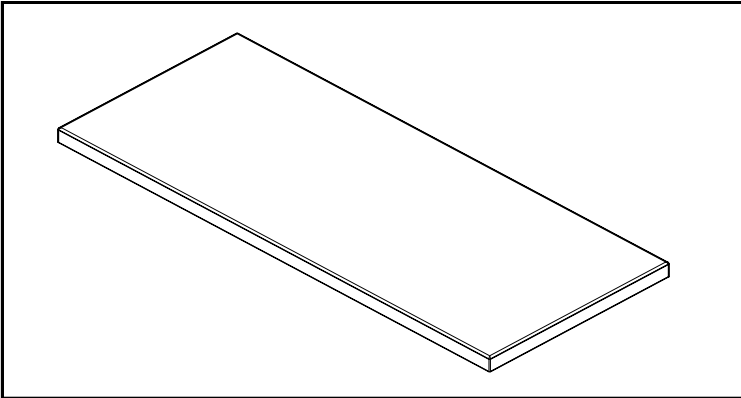
(#4) BACK FRAME x 1 PC



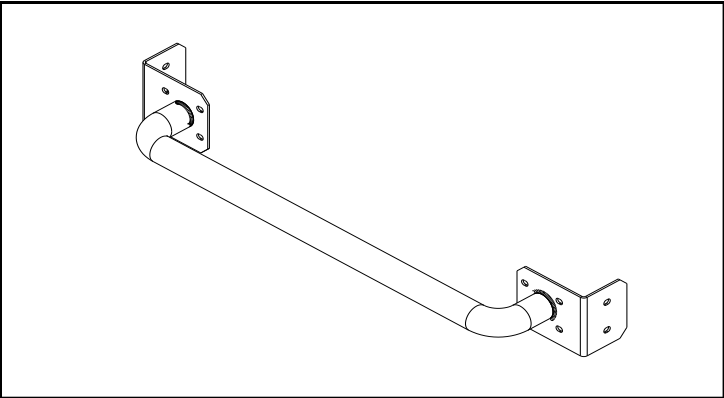
(#5) BASE PANEL x 1 PC



(#6) SHELF x 1 PC



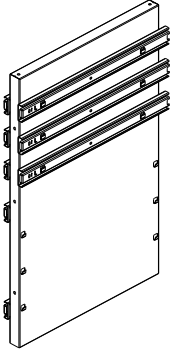
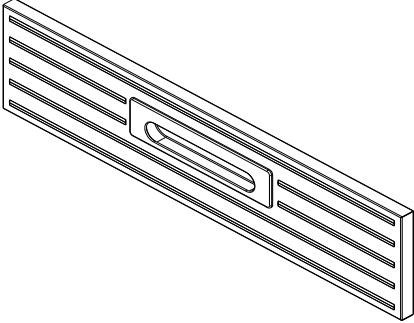
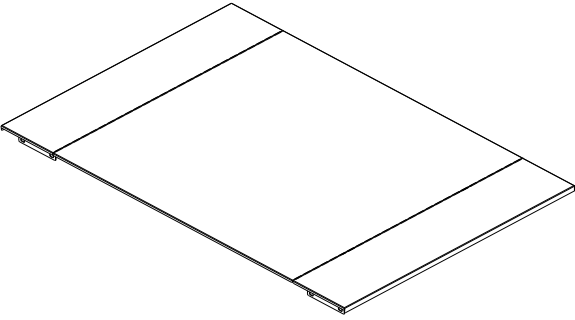
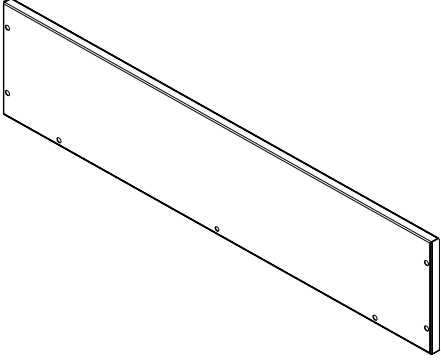
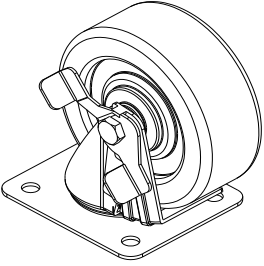
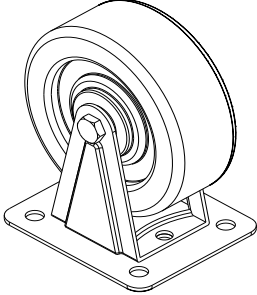
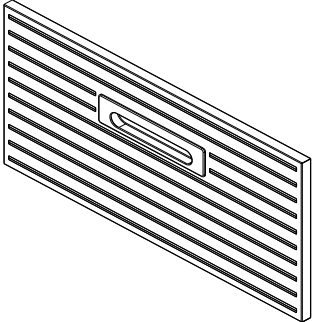
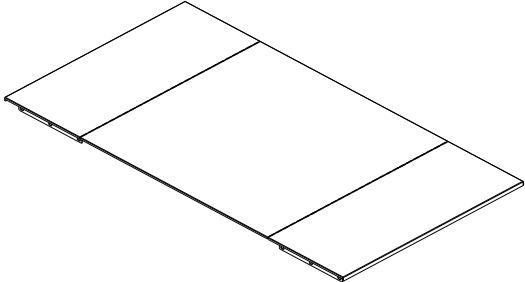
(#8) SOLID HARDWOOD TOP x 1 PC



(#9) PUSH BAR x 2 PCS

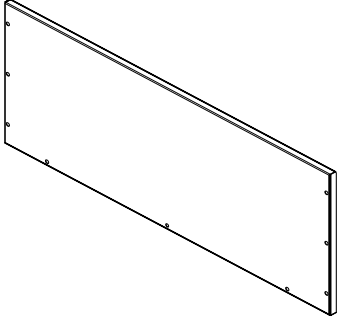
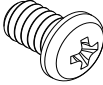
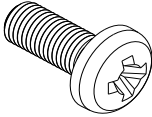
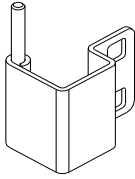
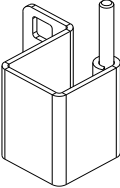
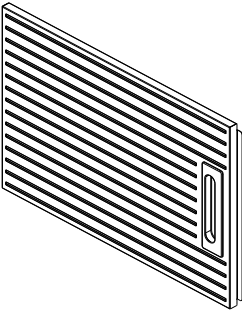
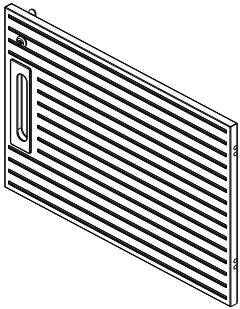
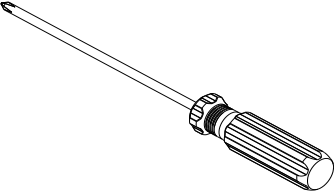
PARTS LIST (pg 4 of 15)

Please check the parts carefully according to the parts list. If you are missing any parts, please contact our customer service department (please refer to page 15 of 15).

	
<p>(#11) LEFT SIDE SLIDER SUPPORT x 1PC</p>	<p>(#12-1) MEDIUM-SIZE DRAWER FRONT x 1 PC</p>
	
<p>(#12-2) MEDIUM-SIZE DRAWER BOTTOM PANEL x 1 PC</p>	<p>(#12-5) MEDIUM-SIZE DRAWER BACK PANEL x 1 PC</p>
	
<p>(#12-B) WHEEL WITH BRAKE x 2 PCS</p>	<p>(#13-B) WHEEL W/O BRAKE x 2 PCS</p>
	
<p>(#13-1) LARGE DRAWER FRONT PANEL x 1 PC</p>	<p>(#13-2) LARGE DRAWER BOTTOM PANEL x 1 PC</p>

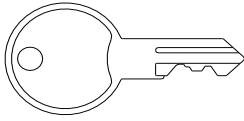
PARTS LIST (pg 5 of 15)

Please check the parts carefully according to the parts list. If you are missing any parts, please contact our customer service department (please refer to page 15 of 15).

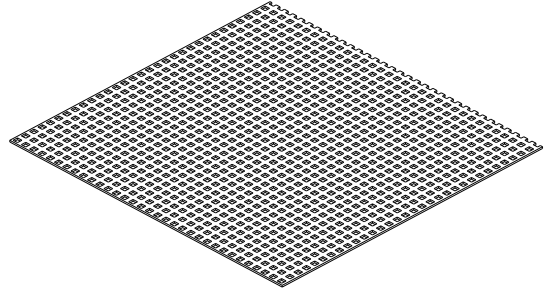
	
(#13-4) LARGE DRAWER BACK PANEL x 1 PC	(#15) SCREW B (M4 x 8L) x 195 PCS
	
(#17) SCREW D (M8 x 18L) x 16 PCS	(#18) LEFT DOOR HINGE x 2PCS
	
(#19) RIGHT DOOR HINGE x 2PCS	(#20-A) LEFT DOOR x 1PC
	
(#20-B) RIGHT DOOR x 1PC	(#21) SCREW DRIVER x 1 PC

PARTS LIST (pg 6 of 15)

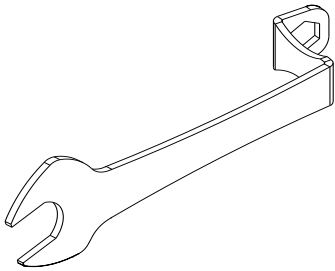
Please check the parts carefully according to the parts list. If you are missing any parts, please contact our customer service department (please refer to page 15 of 15).



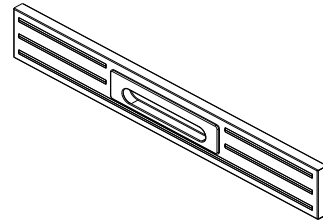
(#22) KEY x 6 PCS



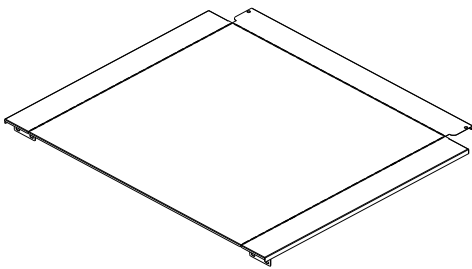
(#24) DRAWER MAT x 11 PCS



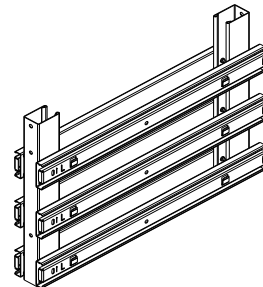
(#25) WRENCH x 1 PC



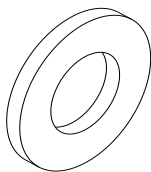
(#26-1) SMALL DRAWER FRONT x 9 PCS



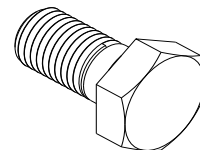
(#26-2) SMALL DRAWER CASE x 9 PCS



(#27) RIGHT SIDE SLIDER SUPPORT x 1 PC



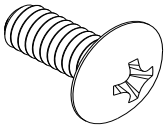
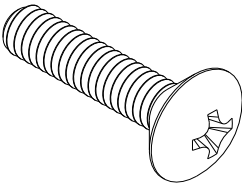
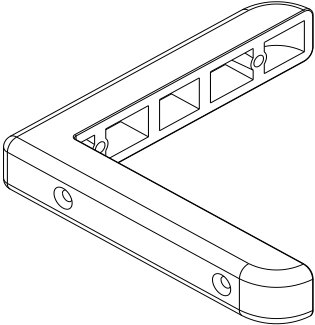
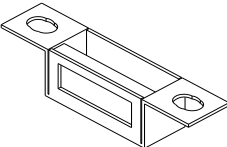
(#27-B) WASHER (M8) x 6 PCS



(#40) SCREW E (M8 x 18L) x 6 PCS

PARTS LIST (pg 7 of 15)

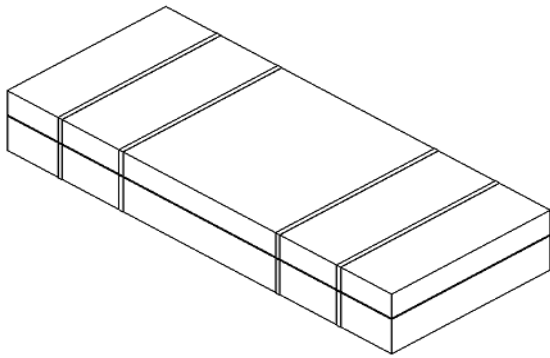
Please check the parts carefully according to the parts list. If you are missing any parts, please contact our customer service department (please refer to page 15 of 15).

	
<p>(#41) SCREW F (M4 x 8L) x 32 PCS</p>	<p>(#42) SCREW G (M4 x 30L) x 16 PCS</p>
	
<p>(#57) BUMPER x 4 PCS</p>	<p>(#23) MAGNET x 1 PC</p>

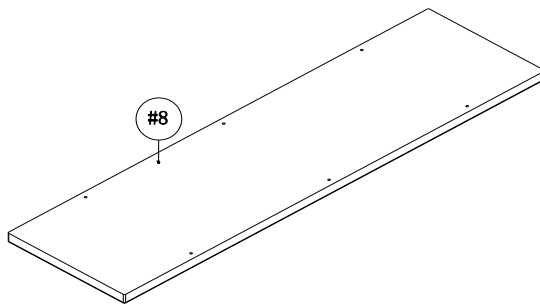
ASSEMBLY INSTRUCTIONS (pg 8 of 15)

UltraHD Rolling Workbench (Model No. 20262)

TIP: A magnetic screwdriver is included for your convenience. If a power screwdriver is used, keep on a low torque setting.

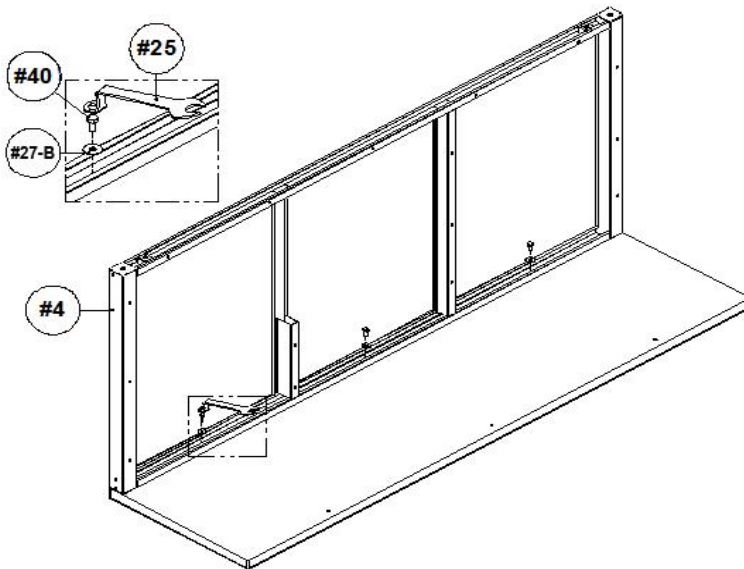


Step 1. Open both boxes, locate and remove the cardboard box containing the Solid Hardwood Top (#8). Set the other parts to the side. When assembling this item, place the Solid Hardwood Top up side down on the cardboard to avoid scratching the top surface.



Step 2. Install Back Frame (#4) to Solid Hardwood Top (#8).

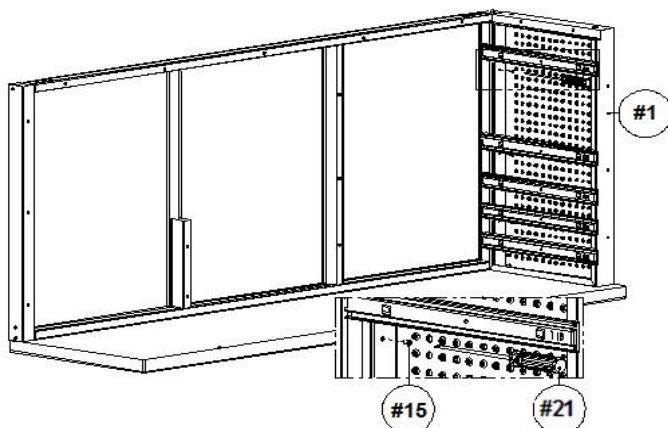
[Use the Wrench (#25) for this step]
Place the Back Frame (#4) as the left picture shows and use 3 pcs Screw E (#40) and Washers (#27-B) to fasten. Attach the "Top" of the Back Frame (#4), as indicated by the attached sticker, to the Solid Hardwood Top (#8) (The Solid Hardwood Top has no set front or back end).



Note: Ensure the back and side are flush with the Solid Hardwood Top. When assembling a part, do not tighten any screws completely until all screws for that part have been partially screwed in.

Step 3. Install Left Side Panel (#1).

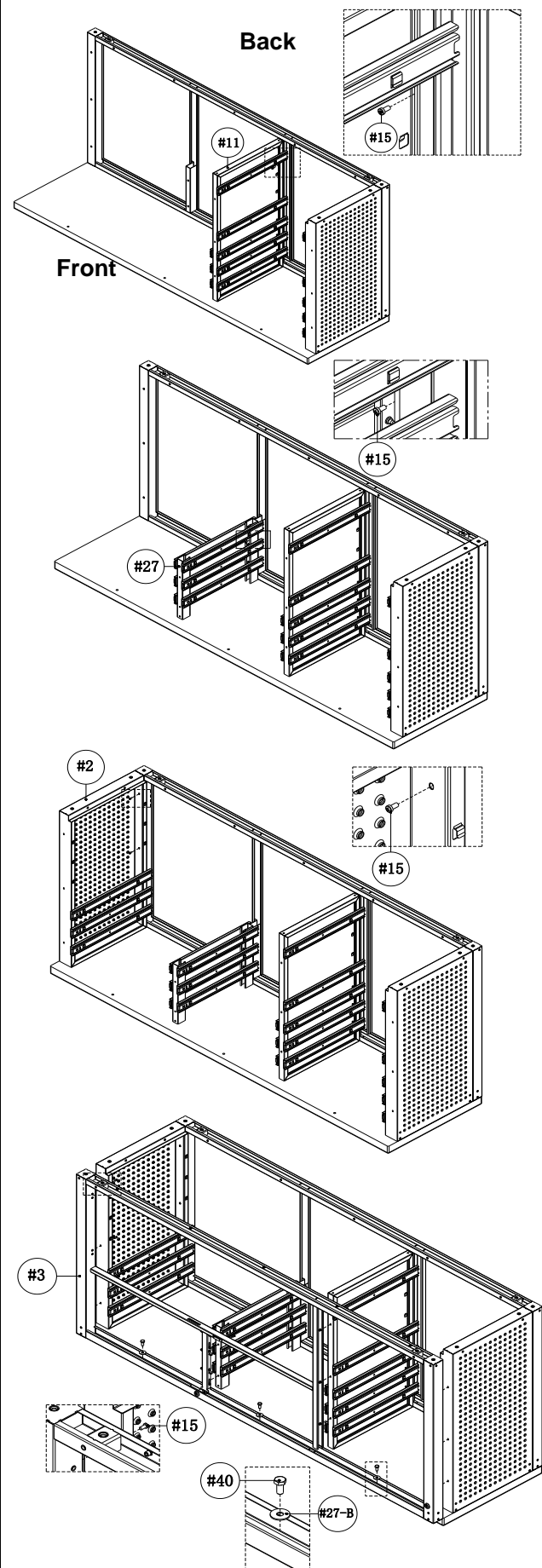
Attach Left Side Panel (#1) to Back Frame (#4), making sure the "Top" of Left Side Panel (#1) is on the Solid Hardwood Top (#8). Use 3 pcs of Screw B (#15) and Screw Driver (#21) to fasten.



Tip: Once the Left Side Panel (#1) is securely fastened, check to make sure the slider motion is operating in the correct direction (Away from the Back Frame (#4)).

ASSEMBLY INSTRUCTIONS (pg 9 of 15)

UltraHD Rolling Workbench (Model No. 20262)



Step 4. Install Left Side Slider Support (#11)

Attach the Left Side Slider Support (#11) to the Back Frame (#4), make sure the "Top" of Left Side Slider Support (#11) is close to the Solid Hardwood Top (#8). Again, the "Top" is indicated by a sticker on one of the vertical columns. Use 3 pcs of Screw B (#15) and Screw Driver (#21) to fasten.

Note: the Drawer Slides will face those on the Left Side Panel (#1) .

Step 5. Install Right Side Slider Support (#27)

Attach the Right Side Slider Support (#27) to the Back Frame (#4), make sure the "Top" of Right Side Slider Support (#27) is close to the Solid Hardwood Top(#8). Again, the "Top" is indicated by a sticker on one of the vertical columns. Use 2 pcs of Screw B (#15) and Screw Driver (#21) to fasten.

Note: the Drawer Slide will face those on the Right Side Panel (#2).

Step 6. Install the Right Side Panel (#2).

Attach the Right Side Panel (#2) to the Back Frame (#4), make sure the "Top" of Right Side Panel (#2) is close to the Solid Hardwood Top(#8). Again, the "Top" is indicated by a sticker on one of the vertical columns. Use 3 pcs of Screw B (#15) and Screw Driver (#21) to fasten.

Step 7. Install the Front Frame (#3).

A: Attach the "Top" of the Front Frame (#3) to the Solid Hardwood Top (#8). The other screw holes will align with the Left and Right Side Panels (#1 and #2), Left Side Slider Support (#11) and Right Side Slider Support (#27).

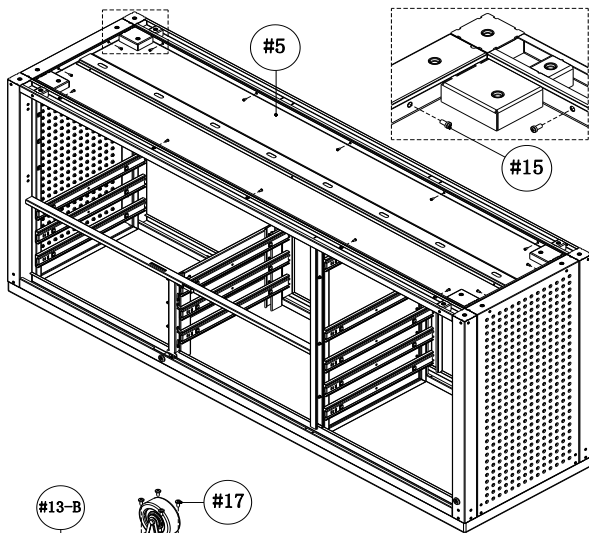
B: Use 11 pcs of Screw B (#15) and Screw Driver (#21) to fasten the Front Frame (#3) on the Left and Right Side Panels (#1 and #2), Left Side Slider Support (#11) and Right Side Slider Support (#27).

C: Make sure the four edges of the Cabinet are aligned, then fasten the Front Frame (#3) on the Solid Hardwood Top(#8) by using 3 pcs of Washer(#27-B) and Screw E (#40) with Wrench (#25).

Note: The ball bearing track will have to be pulled out 1" to expose the screw holes used for fastening to the Front Frame #3.

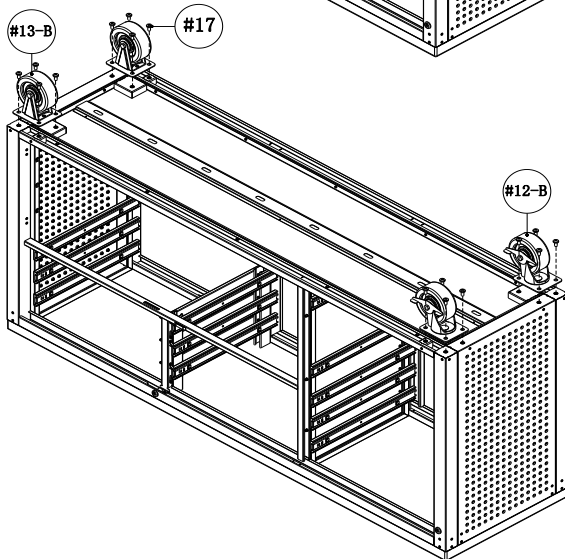
ASSEMBLY INSTRUCTIONS (pg 10 of 15)

UltraHD Rolling Workbench (Model No. 20262)



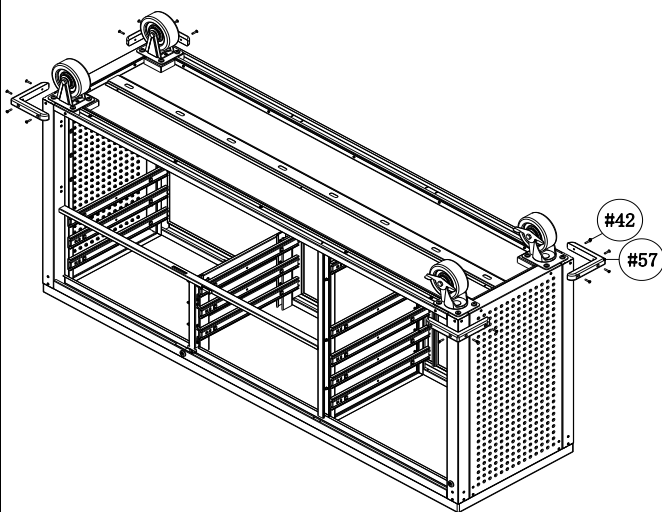
Step 8. Install Base Panel (#5)

Attach Base Panel (#5) to the rest of the unit as the left picture shows. Use 14 pcs of Screw B (#15) and Screw Driver (#21) to fasten.



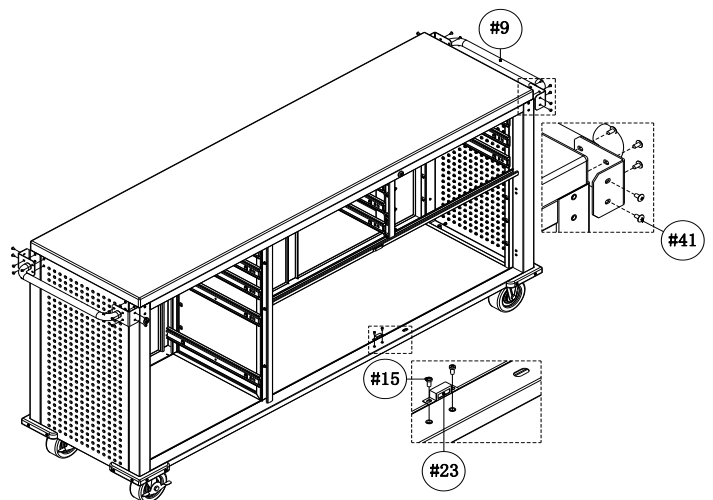
Step 9. Install Wheels (#12-B and #13-B) .

Attach Wheels (#12-B and #13-B) using 16 pcs of Screw D (#17). Make sure that the Wheels w/o Brakes (#12-B) are on the same end (right or left side) of the Workbench. Also, there is some tolerance in the holes of the wheel frame, so make sure that the two wheels w/o brakes are parallel to each other and to the frame of the unit.



Step 10.

Attach Bumpers (#57) to the bottom four corners of Workbench. Use 16 pcs of Screw G (#42) to fasten. Then, rotate/stand the Workbench upright.



Step 11.

A: Attach Push Bars (#9) on both the Left and Right Side Panels (#1 and #2). Use 24 pcs of Screw F (#41) to fasten.

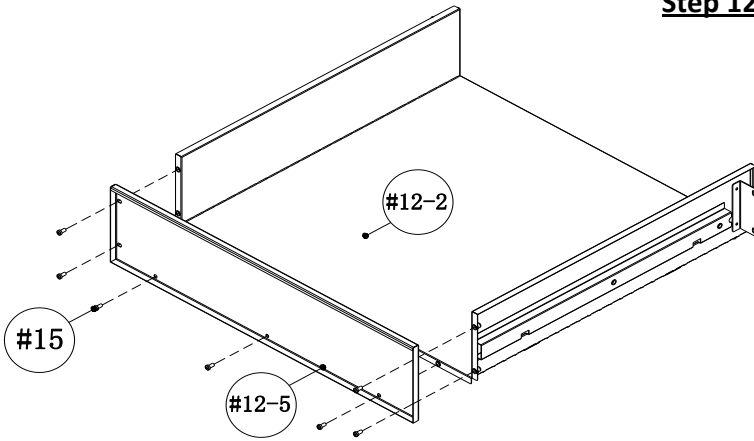
B: Use 2 pcs of Screw B (#15) to fasten the Magnet (#23) on the Front Frame (#3)

ASSEMBLY INSTRUCTIONS (pg 11 of 15)

UltraHD Rolling Workbench (Model No. 20262)

Step 12. Install Medium Drawer Bottom Panel (#12-2) and Medium Drawer Back Panel (#12-5).

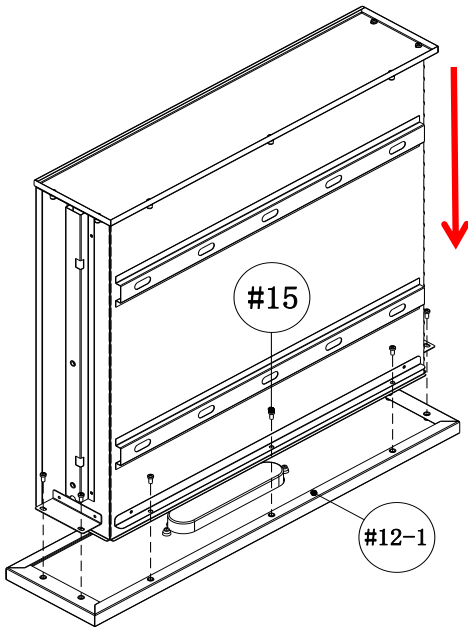
- A. Fold the Left and Right panel of the Medium Drawer Bottom Panel (#12-2) up so that the ball bearing track will attached to the outside of the drawer.
- B. Attach the Medium-size Drawer Back Panel (#12-5) to the folded drawer panel, use 7pcs Screw B (#15) to tighten.



Step 13. Install Medium Drawer Front (#12-1) .

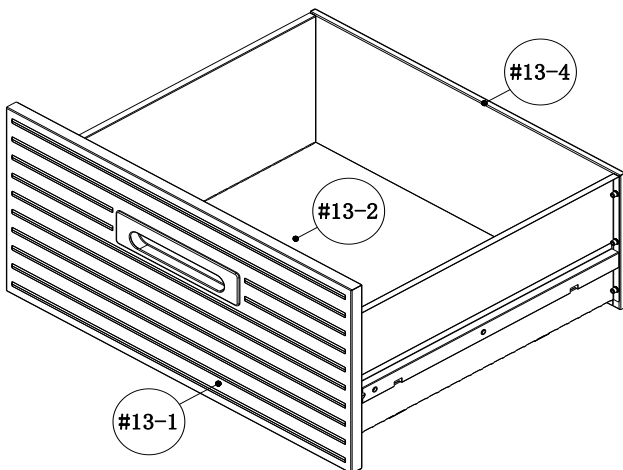
From above, align the folded Drawer Panel with the Medium Drawer Front (#12-1) as detail picture shows, use 7pcs Screw B (#15) to tighten.

NOTE: Do not fully tighten the screws. This will help you make any adjustments to alignment later.



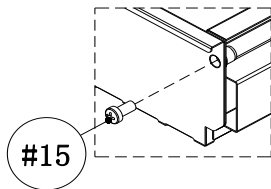
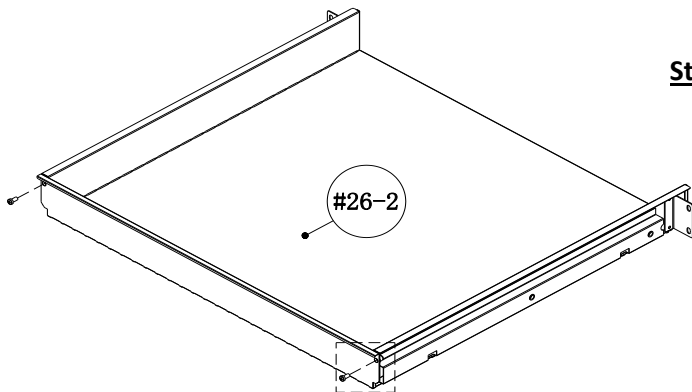
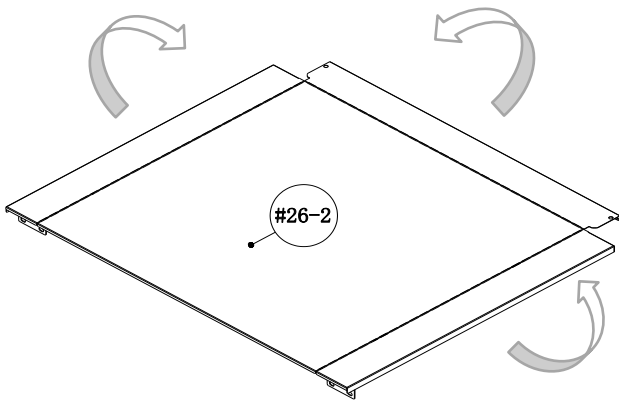
Assemble Large Drawer (#13) the same way.

Repeat Step 13 and Step 14, but using Large Drawer Front Panel (#13-1), Large Drawer Bottom Panel (#13-2) and Large Drawer Back Panel (#13-4).



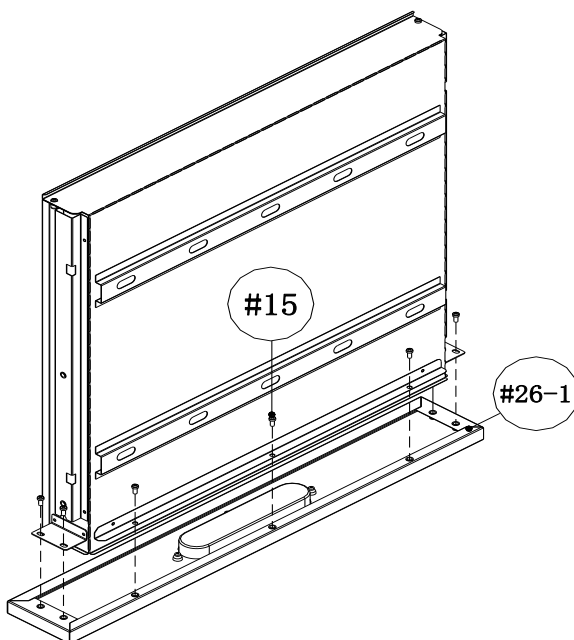
ASSEMBLY INSTRUCTIONS (pg 12 of 15)

UltraHD Rolling Workbench (Model No. 20262)



Step 14. A. Fold up all three panels of the Small Drawer Body (#26-2), use Screw B (#15) to tighten the back panel to the left and right panel.

Note: Do not tighten the screws all the way, until part C is completed.

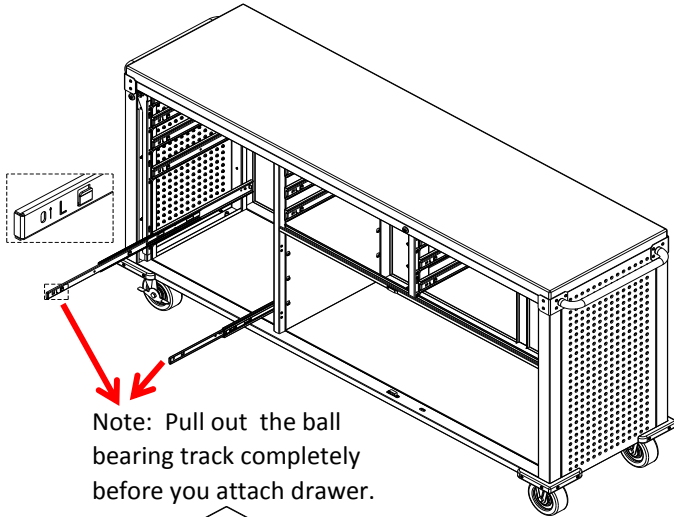


B. Slide the Left and Right Drawer Panel into Small Drawer Front (#26-1) as the detail picture shows. Use 7pcs Screw B (#15) to tighten.

NOTE: Once all the drawer panels are aligned, tighten all the drawer screws.

ASSEMBLY INSTRUCTIONS (pg 13 of 15)

UltraHD Rolling Workbench (Model No. 20262)



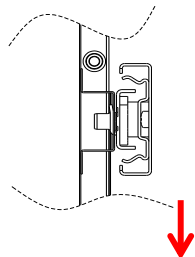
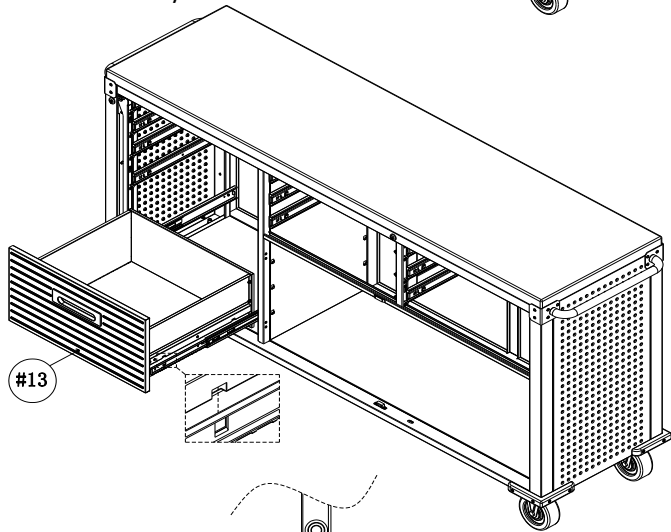
Step 15. Place the Drawers.

A. Pull out the sliders completely, then attach the drawer to the sliders. Make sure the square holes on the drawer side panels are line up, and the drawer is hooked onto the sliders completely.

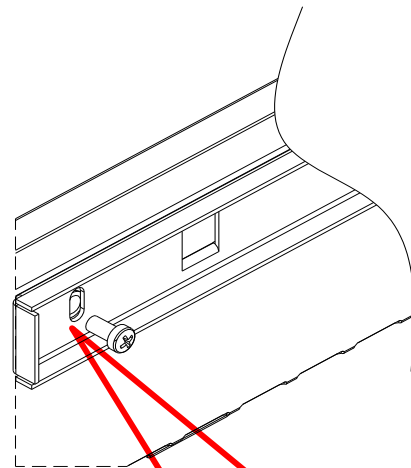
B. Use 4pcs Screw B (#15) to tighten the drawer, and put the Drawer Mat (#24) into the drawer.

Repeat above steps to place other drawers.

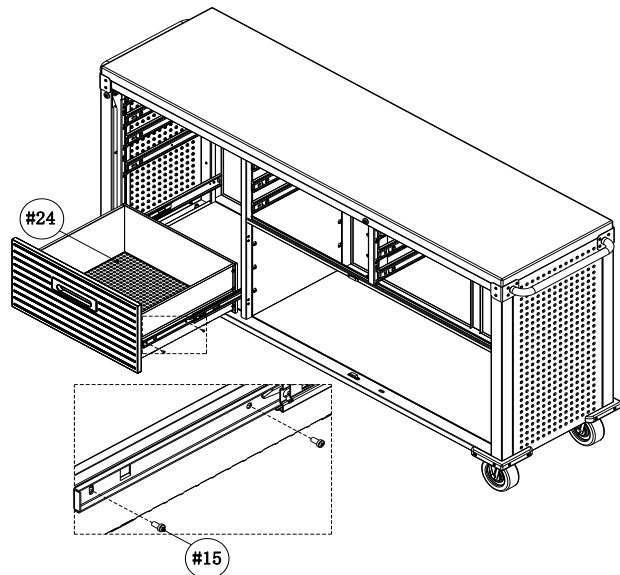
Note: Do not tighten any screws completely until all the drawers are adjusted well.




Hook cutaway view



The oval hole at the front of the slider allows for the gaps between the drawers to be adjusted. Make the adjustments once all the drawers are installed.



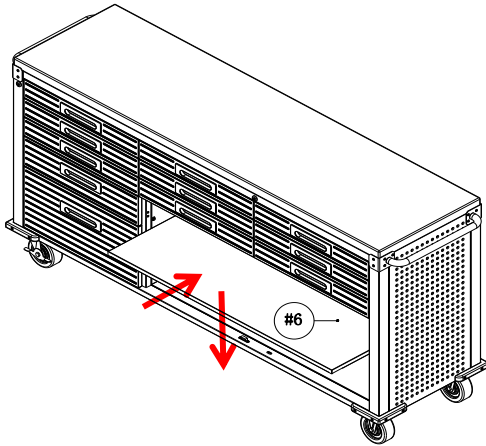
CAUTION



Only open one drawer at a time to avoid tipping. 40 lbs. maximum loading for each drawer.

ASSEMBLY INSTRUCTIONS (pg 14 of 15)

UltraHD Rolling Workbench (Model No. 20262)



Step 16. Install the Shelf (#6).

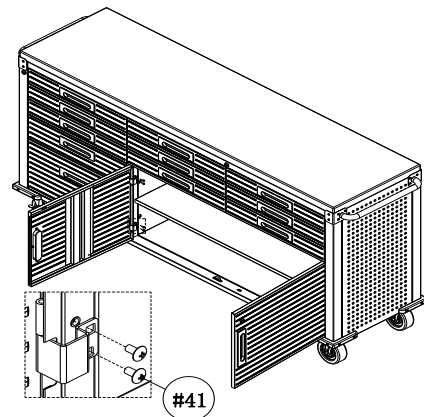
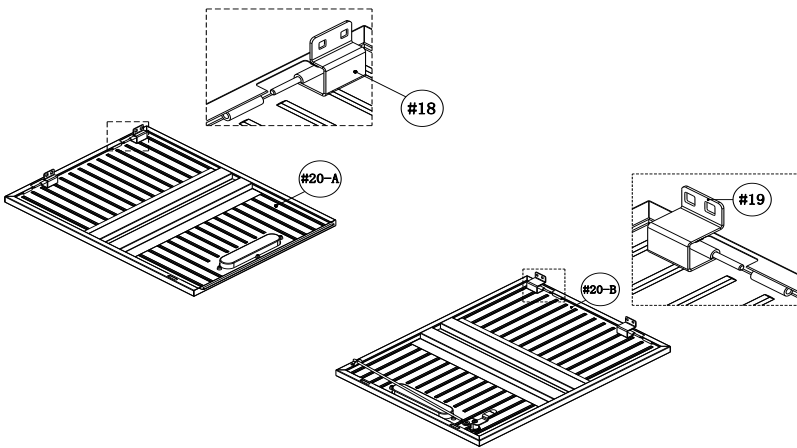
Place the Shelf (#6) in the unit at the desired height and ensure that all four corners are secured on the hooks on the front and back frame.

Step 17. Install the Left Door (#20-A) and Right Door (#20-B).

A. Insert 2 pcs of Left Door Hinge (#18) on to the Left Door (#20-A). Insert 2 pcs of Right Door Hinge (#19) on to the Right Door (#20-B).

B. Attach the Left Door (#20-A) to the left side of the door frame and Right Door (#20-B) to the right side of the door frame. Use 8 pcs Screw F (#41) to fasten.

Note: The door hinge screw holes have tolerance, enabling the doors to be adjusted and centered in the frame.



Stainless Steel Maintenance:

These parts have an UltraGuard® fingerprint resistant finish. Do not use traditional stainless steel cleaners on this unit. Lightly wipe off once a month with clean warm water and a soft cloth (preferably a microfiber cloth). This is the safest formula to prevent new stains from appearing over time and manage unwanted fingerprints or grease marks. Remember to always wipe in the direction of the surface grain (NEVER ACROSS) and always use a lint-free cloth. Once the surface is clean, thoroughly wipe dry with a soft absorbent cloth.

UltraHD Wood Top

Although great care is taken to hand select consistent wood top color and grain for UltraHD products, there can and will be natural variations in color and graining between finished products. These variations contribute to the beauty of using a natural material as a workbench and are considered standard quality. Variations of color within these standards and minor scratches in the clear coat finish will not be a reason for replacement. If the wood top is received with excessive damage or splitting, Seville Classics will guarantee replacement of the wood top.

Restore Shallow Scratches or Chips

If the wood top becomes scratched and chipped over time or during assembly, a Polyurethane finish can be applied to help restore the wood's natural texture, as well as protect the surface from future damage.

Applying a Polyurethane Coating

Please follow the manufacturer's instruction on the product for application.

*If you are missing any parts, have any questions, or need additional assistance in assembly, please contact our **bilingual (English/Spanish) customer service department at:**



Seville Classics, Inc.
19401 South Harborgate Way
Torrance, CA 90501
USA

Telephone: (800) 323-5565 within USA

Hours: 9:00am - 4:30pm (Pacific Standard Time)

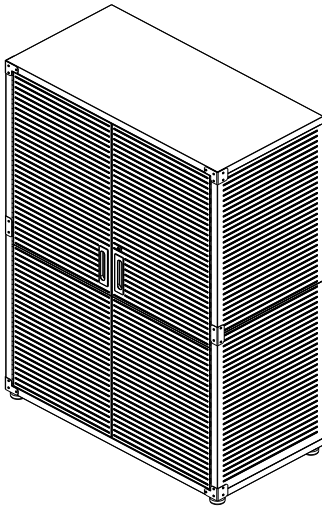
Fax: (310) 533-3899

E-mail: support@sevilleclassics.com

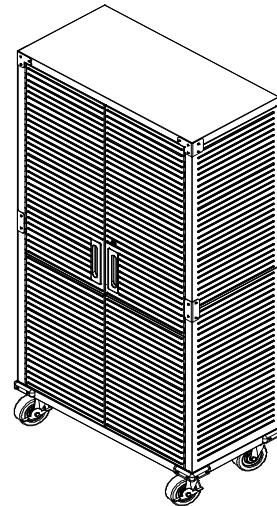
Website & Online Store: www.sevilleclassics.com

*****Please visit our website or call and inquire about our additional UltraHD Line*****

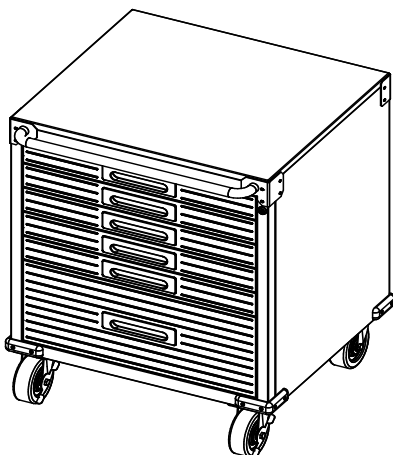
UltraHD Line



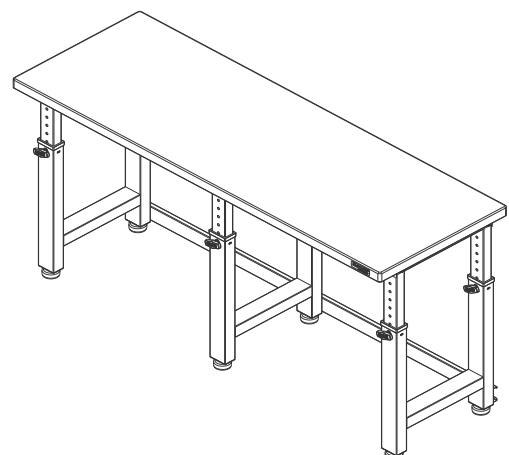
Model No. 16238
UltraHD Storage Cabinet



Model No. 16236
UltraHD Storage Cabinet

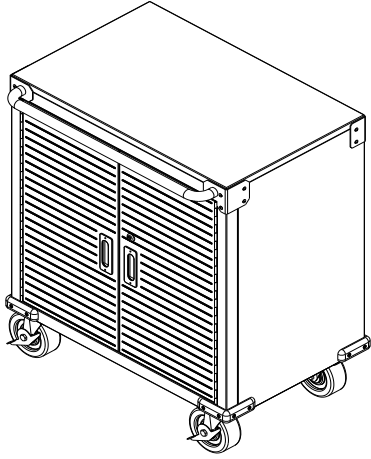


Model No. 20184
UltraHD 6-Drawer Rolling Cabinet

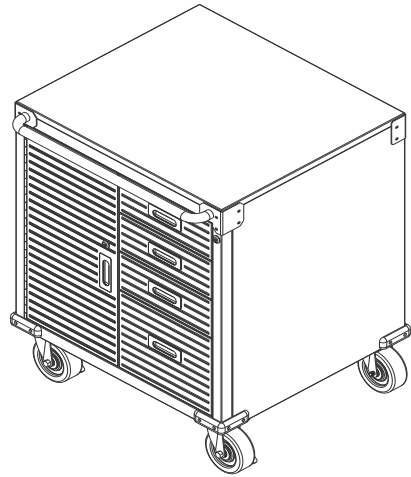


Model No. 20296
UltraHD Height Adjustable Workbench

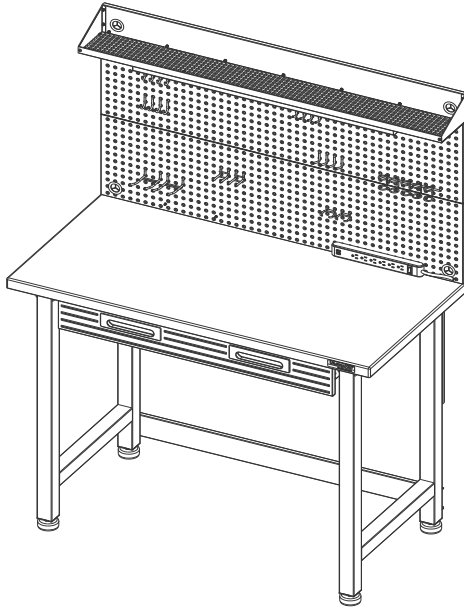
UltraHD Line



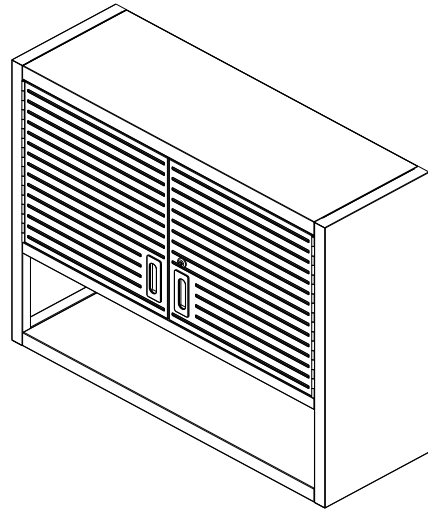
Model No. 20227
UltraHD Rolling Cabinet



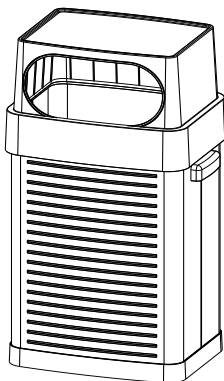
Model No. 20225
UltraHD Rolling Cabinet



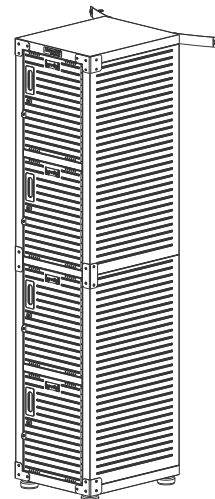
Model No. 20247
UltraHD Lighted Workcenter



Model No. 20230
UltraHD Wall Cabinet



Model No. 20217
UltraHD Trash Bin



Model No. 20294
UltraHD 4-Door Locker Cabinet