



## ASSEMBLY INSTRUCTIONS

### UltraHD® Workcenter

LED work light included

(Model No. 20247)

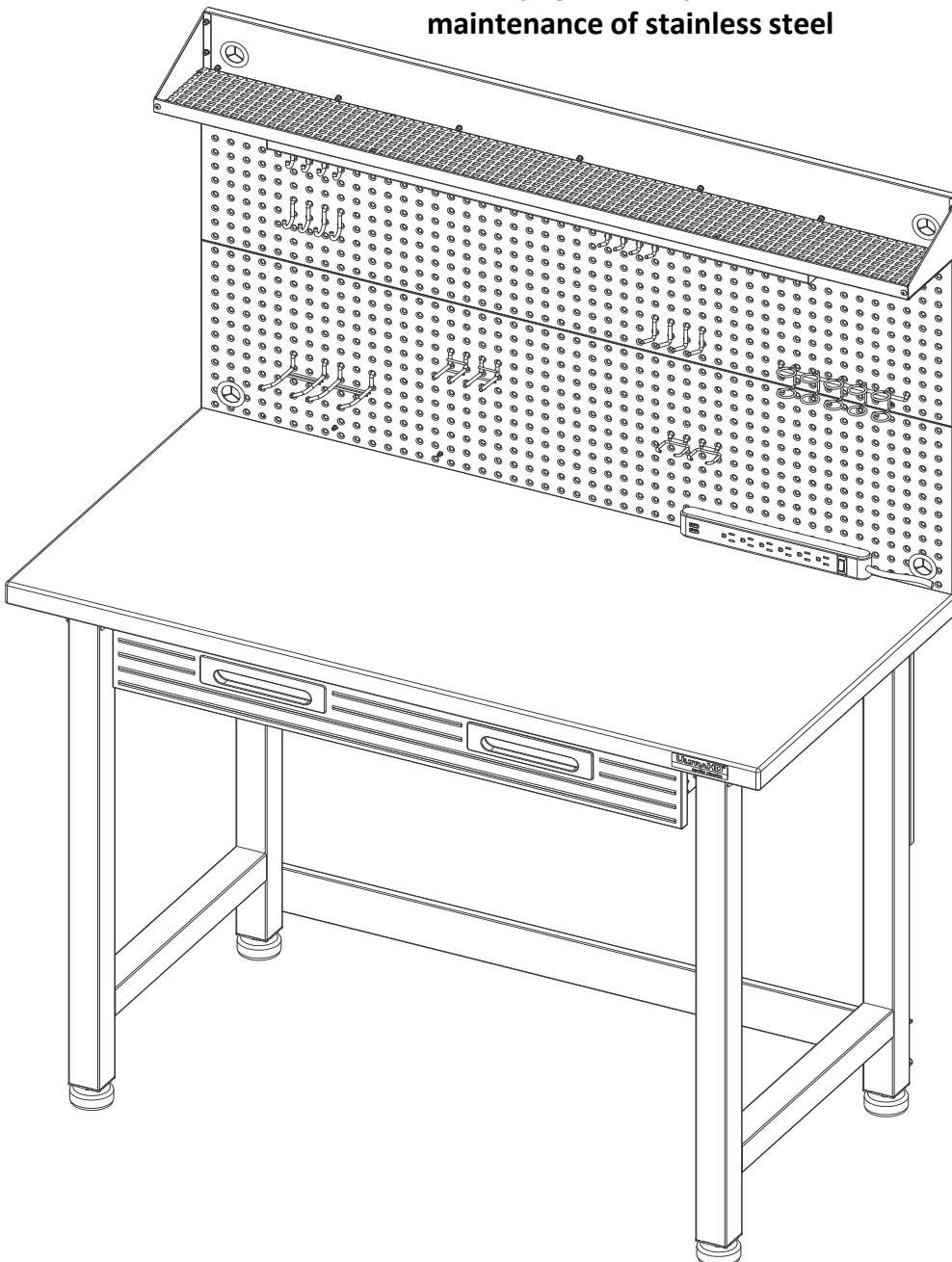
48 in W X 24 in D X 65.5 in H

(1.21 m x 60.9 cm x 1.66 m)

**ULTRAGUARD®**

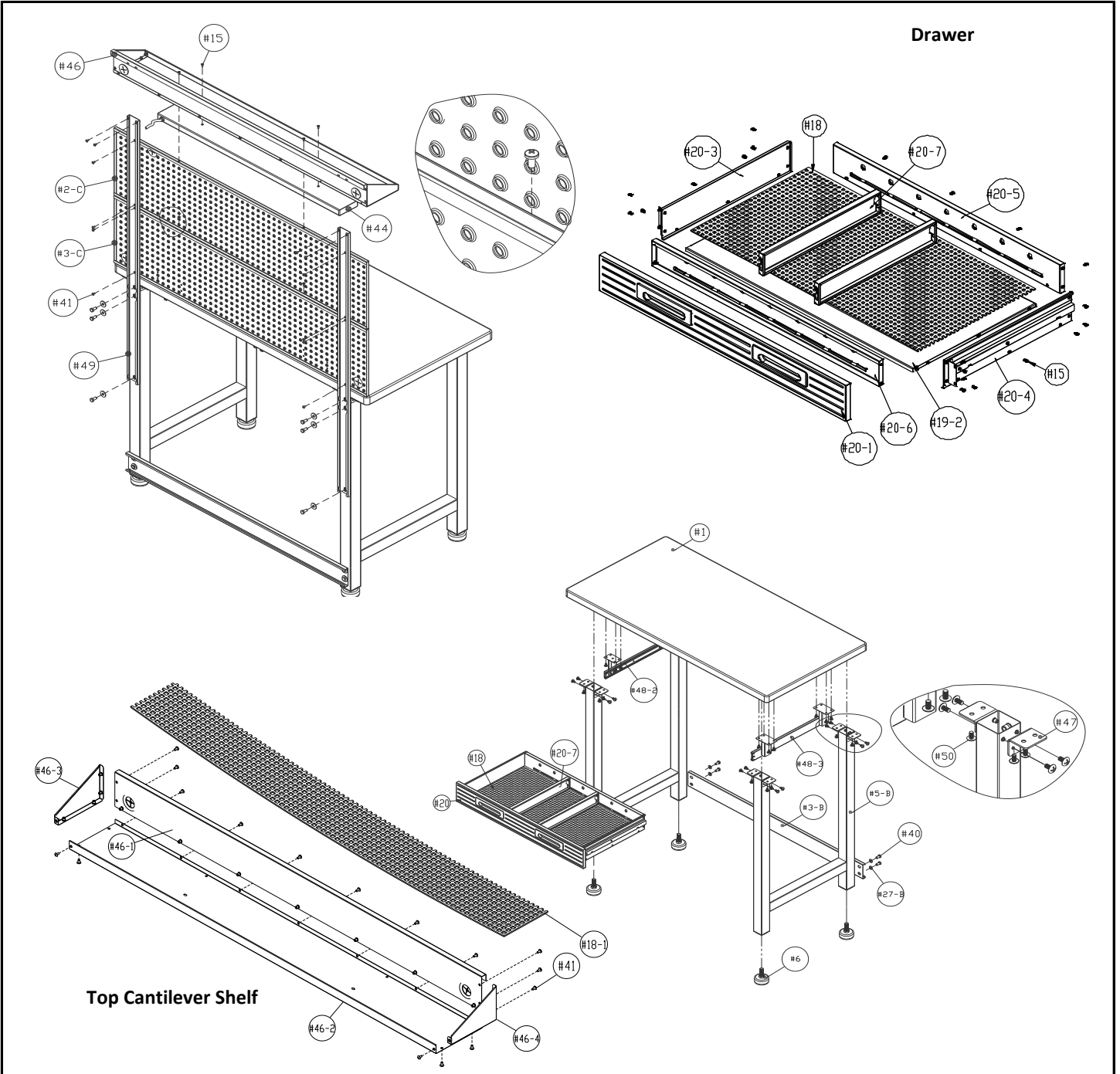
FINGERPRINT RESISTANT SURFACES  
AND INCREASED DURABILITY

Reference page 8 for special care and  
maintenance of stainless steel



# PARTS LIST (pg 1 of 9)

Please check the parts carefully according to the parts list. If you are missing any parts, please contact our customer service department (please refer to page 9 of 9).

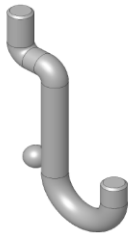


No.	Parts	Qty.
#1	SOLID HARDWOOD BOARD TOP	1PC
#2-C	TOP PEGBOARD PANEL	1PC
#3-B	BOTTOM CROSSBAR	1PC
#3-C	BOTTOM PEGBOARD PANEL	1PC
#5-B	LEG PIECE	2PCS
#6	LEVELING FOOT	4PCS
#18	DRAWER MAT	1PC
#18-1	TOP CANTILEVER SHELF MAT	1PC
#19-2	DRAWER BASE PANEL	1PC
#20-1	DRAWER FRONT PANEL	1PC
#20-3	DRAWER LEFT PANEL	1PC
#20-4	DRAWER RIGHT PANEL	1PC

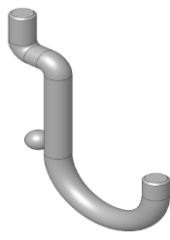
No.	Parts	Qty.
#20-5	DRAWER BACK PANEL	1PC
#20-6	DRAWER FRONT PANEL SUPPORT PLATE	1PC
#20-7	DRAWER DIVIDER	2PCS
#44	LED LAMP	1PC
#46-1	TOP CANTILEVER SHELF BACK PANEL	1PC
#46-2	TOP CANTILEVER SHELF BASE PANEL	1PC
#46-3	TOP CANTILEVER SHELF LEFT PANEL	1PC
#46-4	TOP CANTILEVER SHELF RIGHT PANEL	1PC
#47	"L" BRACKET	8PCS
#48-2	SMALL DRAWER LEFT SUPPORT	1PC
#48-3	SMALL DRAWER RIGHT SUPPORT	1PC
#49	PEGBOARD LONG SUPPORT BAR	2PCS

# PARTS LIST (pg 2 of 9)

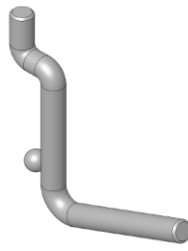
Please check the parts carefully according to the parts list. If you are missing any parts, please contact our customer service department (please refer to page 9 of 9).



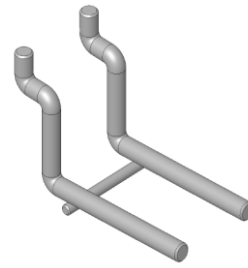
#100



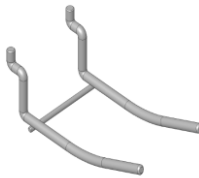
#101



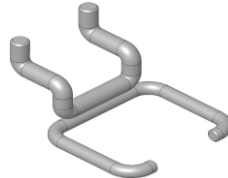
#103



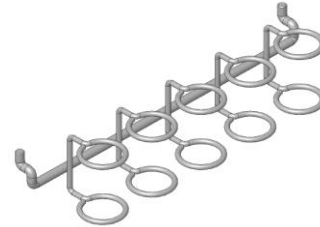
#104



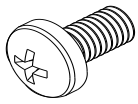
#105



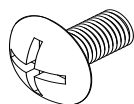
#106



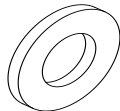
#107



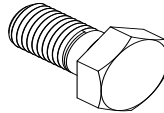
#15



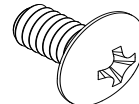
#50



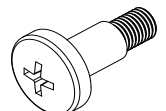
#27-B



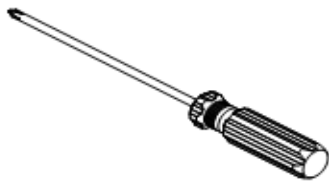
#40



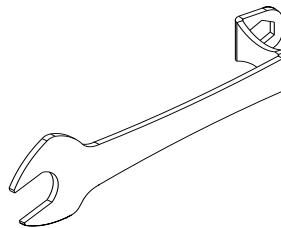
#41



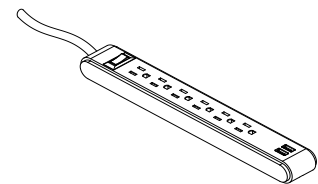
#51



#21



#25



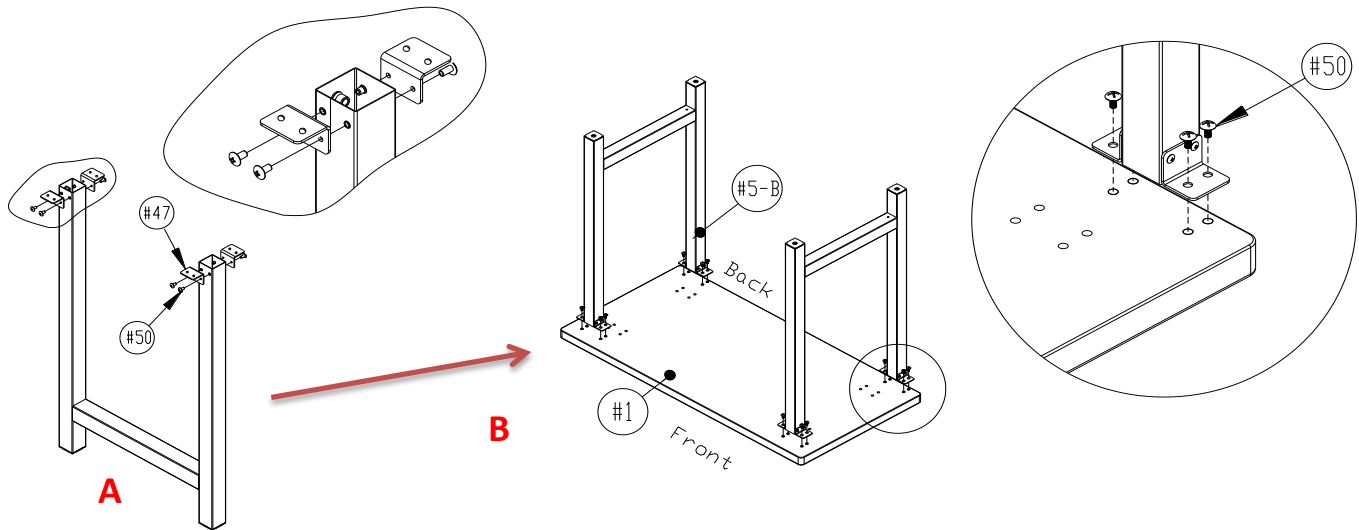
#45

No.	Parts	Qty.	No.	Parts	Qty.
#15	SCREW B (M4 x 8L)	36PCS	#100	1/2" CURVED	4PCS
#21	SCREW DRIVER	1PC	#101	1" CURVED	4PCS
#25	WRENCH	1PC	#103	1.5" STRAIGHT	8PCS
#27-B	WASHER	10PCS	#104	2" DOUBLE PRONG	2PCS
#40	SCREW E (M8 x 18L)	10PCS	#105	4" CURVED DOUBLE PRONG	2PCS
#41	SCREW F (M4 x 8L)	29PCS	#106	2" PLIER HOLDER	2PCS
#45	POWER STRIP W. USB PORTS	1PC	#107	2" MULTI-TOOL HOLDER	1PCS
#50	SCREW I (M6 x 15L)	48PCS			
#51	STUD SCREW J	4PCS			

# ASSEMBLY INSTRUCTIONS (pg 3 of 9)

**\*NOTE: We recommend TWO people to assemble the workbench.**

**TIP: A magnetic screwdriver is included for your convenience. If a power screwdriver is used, keep on a low torque setting.**



## **Step 1. Install (#5-B) Leg Piece.**

**A:** Open the package, and put the parts aside. Then, attach the (#47) "L" Bracket to the (#5-B) Leg Piece, use (#50) Screw I to tighten. Repeat Step A to install (#47) "L" Brackets to another one (#5-B) Leg Piece.

**Note:** Tighten the all the screws after the (#47) Brackets are flush with the (#5-B) Leg Piece.

**B:** Attach the (#5-B) Leg Pieces to the back of the (#1) Solid Hardwood Board Top, line up the screw holes, use (#50) Screw I and (#21) Screwdriver to tighten.

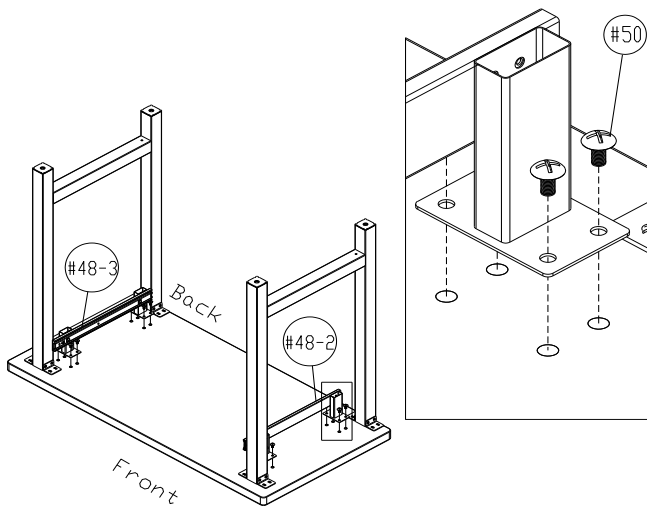
**Note:** Assemble the workcenter on top of the cardboard packaging to help avoid scratching the solid hardwood top.

## **Step 2. Install (#48-2) Small Drawer Left Support, (#48-3) Small Drawer Right Support.**

Attach the (#48-2) Small Drawer Left Support to the bottom of (#1) Solid Hardwood Board, line up the screw holes, use (#50) Screw I and (#21) Screwdriver to tighten.

Repeat this step to install (#48-3) Small Drawer Right Support.

**NOTE: Do not fully tighten the screws. This will help you make any adjustments for alignment.**

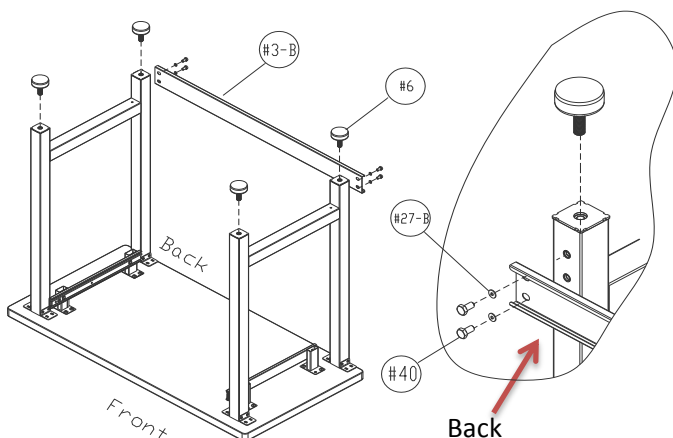


## **Step 3. Install (#3-B) Bottom Cross Bar and (#6) Leveling Feet.**

Attach the (#3-B) Bottom Cross Bar to the back of (#5-B) Leg Piece, line up the screw holes, use (#40) Screw E with (#27-B) Washer and (#25) Wrench to tighten.

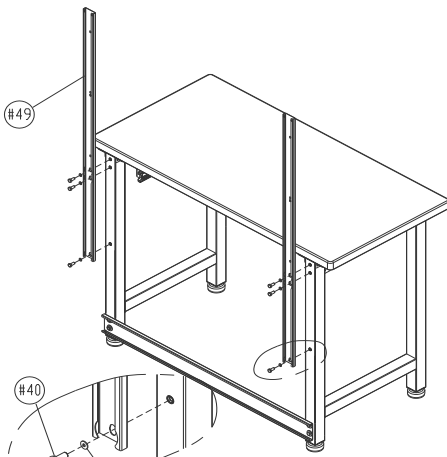
After installing (#5-B) Leg Pieces, attach (#6) Leveling Feet to (#5-B) Leg Pieces, use (#25) Wrench to tighten.

**NOTE: Turn the workbench upright once you finish this step.**



# ASSEMBLY INSTRUCTIONS (pg 4 of 9)

**\*NOTE: We recommend TWO people to assemble the workbench.**



## **Step 4. Install (#49) Pegboard Long Support Bar.**

Attach (#49) Pegboard Long Support Bar to the back of the workbench, line up the screw holes, use (#40) Screw E with (#27-B) Washer to tighten.

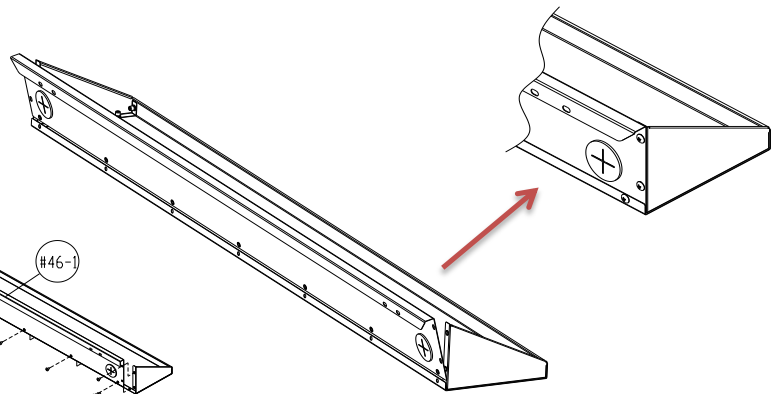
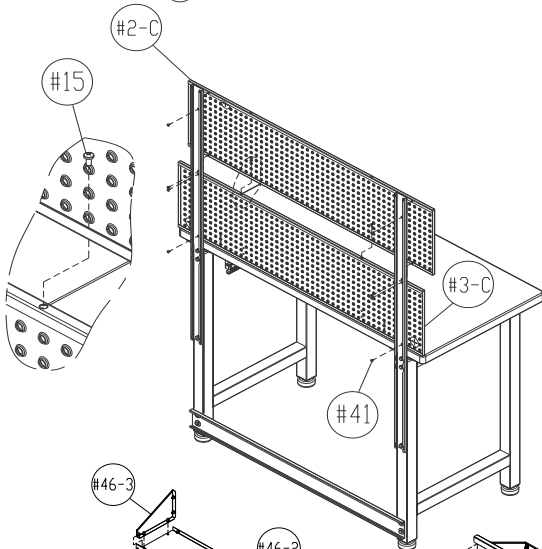
**NOTE: Do not fully tighten the screws. This will help you make any adjustments to alignment later.**

## **Step 5. Install (#3-C) Bottom Pegboard Panel and (#2-C) Top Pegboard Panel.**

Attach (#3-C) Bottom Pegboard Panel along the back top edge of workbench and against (#49) Pegboard Long Support Bar, line up the screw holes, use (#41) Screw F and (#21) Screwdriver to tighten. Use (#15) Screw B to fasten the (#2-C) & (#3-C) Top & Bottom Pegboard.

**NOTE: Do not fully tighten the screws. This will help you make any adjustments to alignment later.**

Attach (#2-C) Top Pegboard Panel to the top of (#3-C) Bottom Pegboard Panel and (#49) Pegboard Long Support Bar, line up the screw holes, use (#41) Screw F and (#21) Screwdriver to tighten.



## **Step 6. Install (#46) Top Cantilever Shelf .**

**A).** Attach the (#46-3) Top Cantilever Shelf Left Panel and the (#46-4) Top Cantilever Shelf Right Panel to (#46-2) Top Cantilever Shelf Base Panel. Use (#41) F screws to tighten.

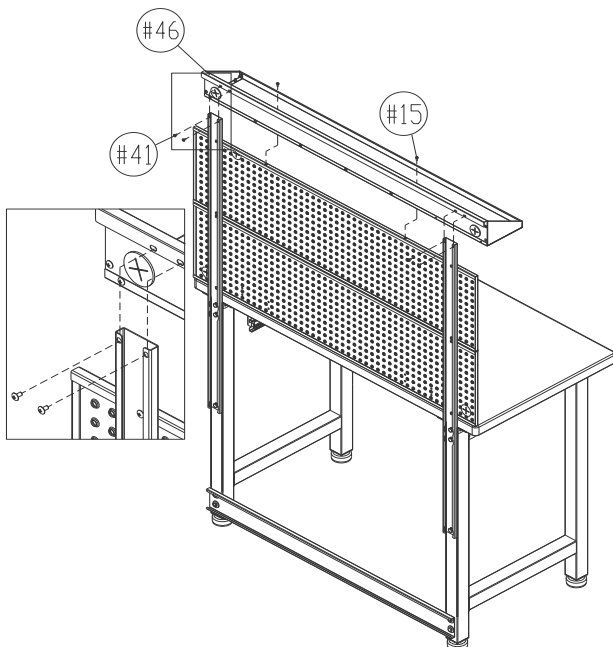
**NOTE: Do not fully tighten the screws. This will help you make any adjustments for alignment later.**

**B).** Make sure to slide the (#46-1) back panel underneath the edge of (#46-2) Top Cantilever Shelf Base Panel. Use (#41) F screws to tighten.

## **Step 7. Install Assembled (#46) Top Cantilever Shelf to workbench.**

Attach assembled (#46) Top Cantilever Shelf to (#2-C) Top Pegboard Panel and (#49) Pegboard Long Support Bars, line up the screw holes, use (#41) Screw F to tighten. Use (#15) Screw B to fasten the (#2-C) Top Pegboard and (#46) Top cantilever Shelf.

**NOTE: Do not fully tighten the screws. This will help you make any adjustments for alignment later.**



# ASSEMBLY INSTRUCTIONS (pg 5 of 9)

**\*NOTE:** We recommend TWO people to assemble the workbench.

## **Step 8.** Install (#20-3 & #20-4) Left & Right Drawer Side Panels and (#20-5) Drawer Back Panel.

Attach (#20-3 & #20-4) Left & Right Drawer Side Panels and (#20-5) Drawer Back Panel to the (#19-2) Drawer Base Panel. Line up the screw holes and use (#15) Screw B to tighten.

**NOTE:** Make sure the hook slots on the (#20-5) Drawer Back Panel are facing inward.

**NOTE:** Do not fully tighten the screws until next step had finish.

## **Step 9.** Install (#20-6) Drawer Front Panel Support Plate

Attach (#20-6) Drawer Front Panel Support Plate as the left arrow shows. Line up the screw holes and use (#15) Screw B to tighten.

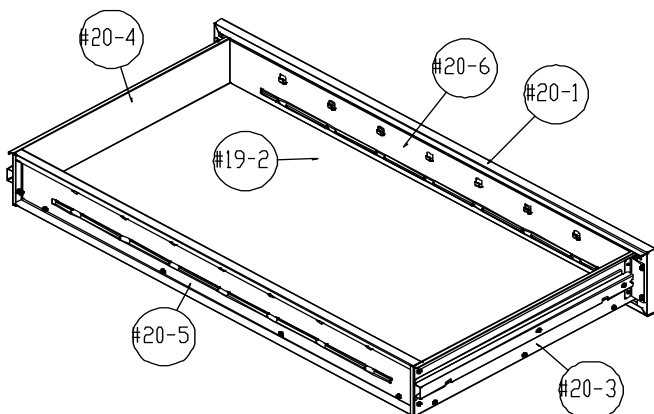
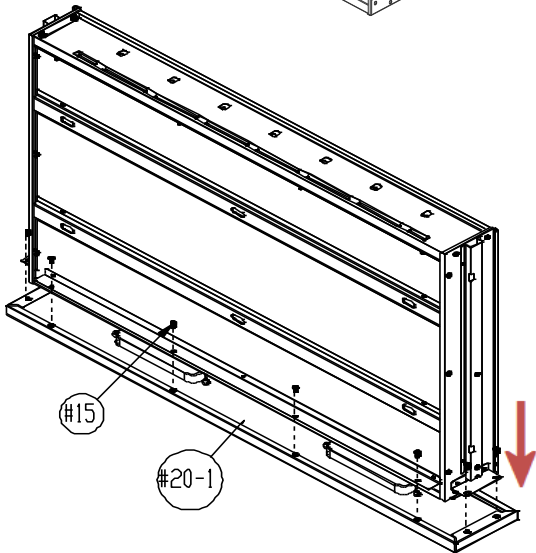
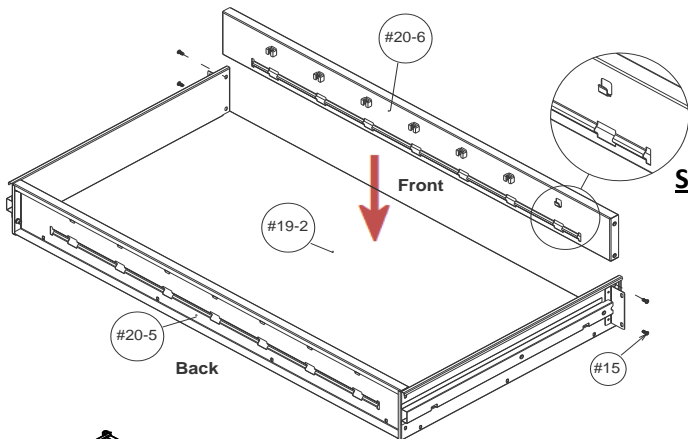
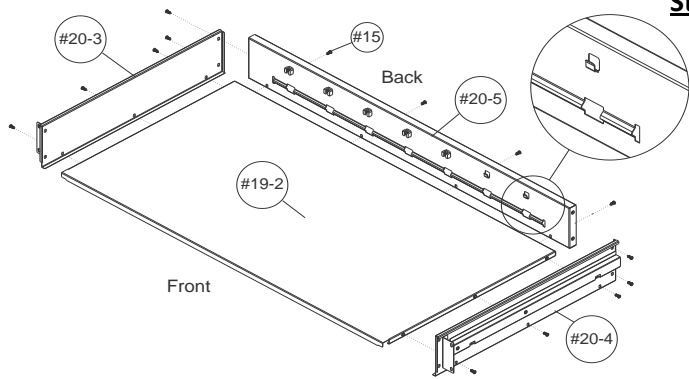
**NOTE:** Make sure the hook slots on the (#20-6) Drawer Front Panel Support Plate are facing inward.

**NOTE:** Once you adjust all the parts in position, tighten all screws.

## **Step 10.** Install (#20-1) Drawer Front Panel

Attach the Drawer Case to the (#20-1) Drawer Front Panel. Line up the screw holes and use (#15) Screw B to tighten.

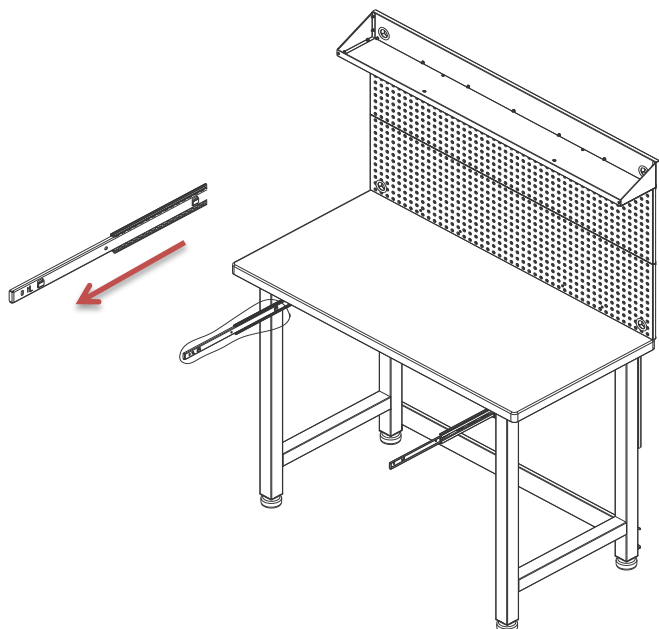
**Note:** Drawer's maximum loading capacity is 60 lbs to avoid the unit from tipping when drawer is fully extended.





# ASSEMBLY INSTRUCTIONS (pg 6 of 9)

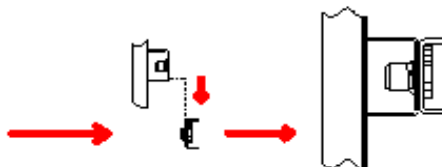
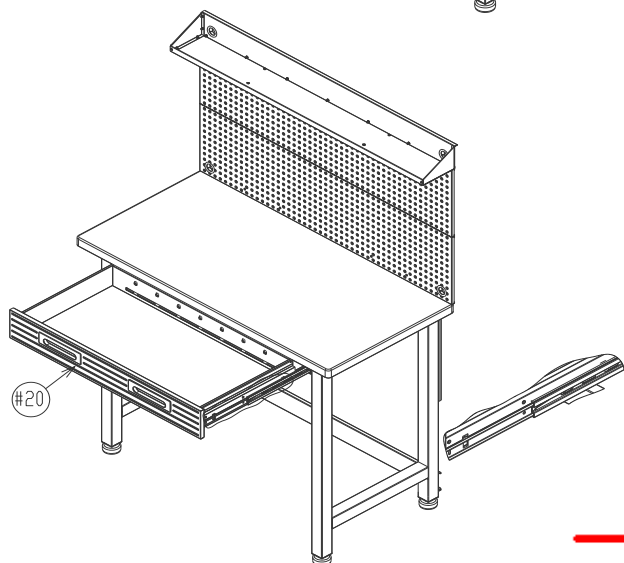
**\*NOTE:** We recommend TWO people to assemble the workbench.



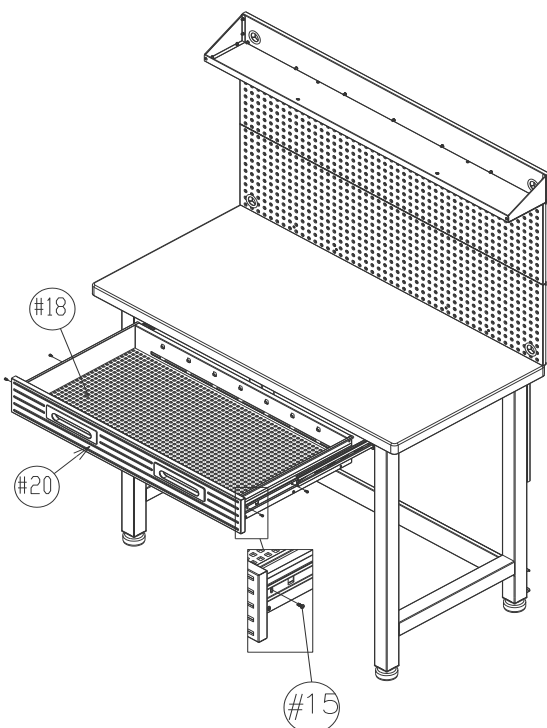
## **Step 11. Insert Drawer**

Pull out the drawer sliders to full length, then attach and fit the Drawer to the inner track of the sliders and slide drawers in.

**NOTE:** Make sure to remove the rubber guards on the hooks of the inner track before fitting the drawer in.



**NOTE:** Once you insert the drawers, tighten (#15) Screw B for (#48-2) Small Drawer Left Support and (#48-3) Small Drawer Right Support.

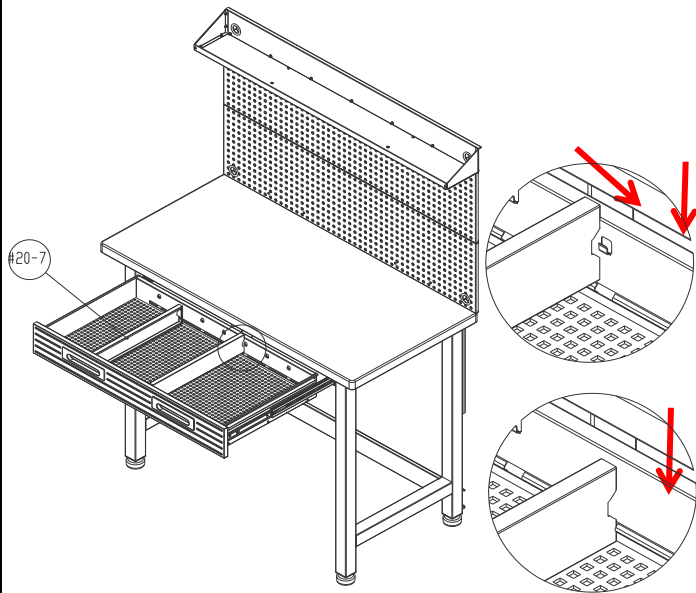


## **Step 12. Place (#18) Drawer Mat**

After sliding in the Drawer, place (#18) Drawer Mats inside the drawer or you can place the (#18) Drawer Mat inside the drawer before you slide them in.

# ASSEMBLY INSTRUCTIONS (pg 7 of 9)

**\*NOTE: We recommend TWO people to assemble the workbench.**



## **Step 13. Install (#20-7) Drawer Divider**

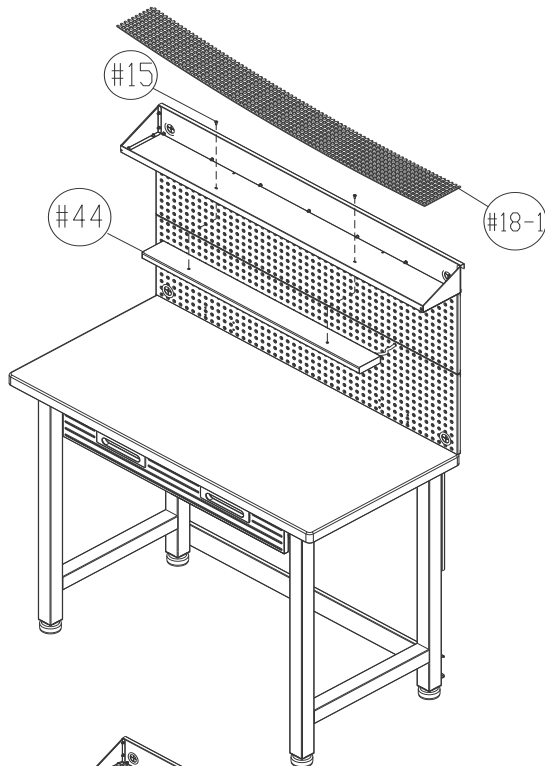
Insert Drawer Divider into the drawer. The solid wall of the divider should be facing the desired slot position. Slide the divider towards the slot, then push down into the slots.

**Repeat the above steps to assemble another Drawer Divider.**

**NOTE: You can assemble this step before or after the drawer is assembled on the Workbench**

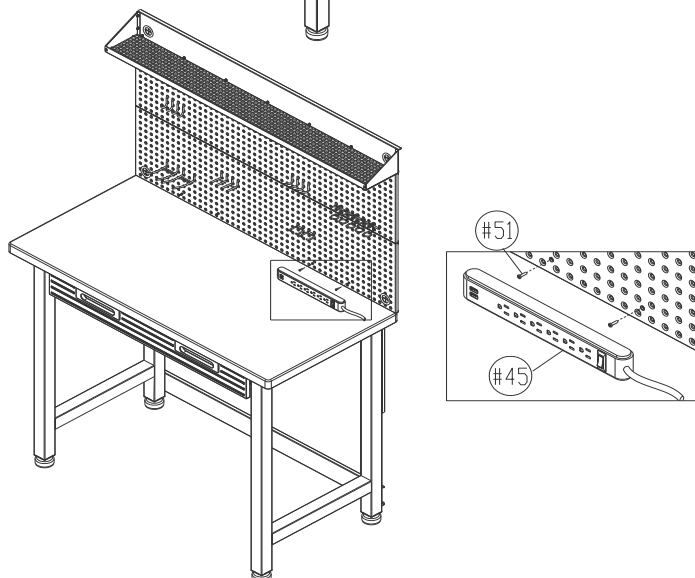
## **How to remove the Drawer Divider**

Lift the Drawer Divider up and to the side to remove from the slot.



## **Step 14. Install (#44) LED Lamp.**

Make sure the power cord goes through Rubber Grommet of (#2-C) Top Pegboard Panel. Attach (#44) LED Lamp under the assembled (#46) Top Cantilever Shelf. Line up the screw holes, use (#15) Screw B to tighten. Then place the (#18-1) Top Cantilever Mat in place.



## **Step 15. Place (#45) Power Strip.**

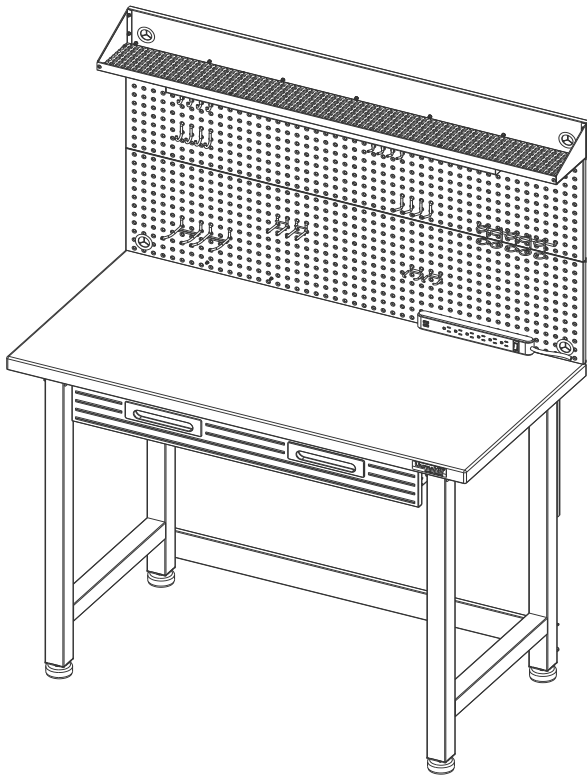
Insert and screw (#51) Stud Screw J to (#3-C) Bottom Pegboard Panel, then, hook (#45) Power Strip on and make sure the power cord goes through Rubber Grommet of (#3-C) Bottom Pegboard Panel.

**NOTE: You can position (#45) Power Strip on the left or right side of the (#3-C) Bottom Pegboard Panel.**



# ASSEMBLY INSTRUCTIONS (pg 8 of 9)

**\*NOTE: We recommend TWO people to assemble the workbench.**



**Step 16.** Place (#100), (#101), (#103), (#104), (#105), (#106), (#107) Hooks to Pegboard as you desire.



**[!] CAUTION:** Potential Shock or Fire Hazard. This unit is not intended for use in wet or potentially wet locations, such as showers, saunas, under or near fishtanks, sinks, etc.

## **Stainless Steel Maintenance:**

These parts have an UltraGuard™ fingerprint resistant finish. Do not use traditional stainless steel cleaners on this unit. Lightly wipe off once a month with clean warm water and a soft cloth (preferably a microfiber cloth). This is the safest formula to prevent new stains from appearing over time and manage unwanted fingerprints or grease marks. Remember to always wipe in the direction of the surface grain (NEVER ACROSS) and always use a lint-free cloth. Once the surface is clean, thoroughly wipe dry with a soft absorbent cloth.

## **UltraHD Wood Top**

Although great care is taken to hand select consistent wood top color and grain for UltraHD products, there can and will be natural variations in color and graining between finished products. These variations contribute to the beauty of using a natural material as a workbench and are considered standard quality. Variations of color within these standards and minor scratches in the clear coat finish will not be a reason for replacement. If the wood top is received with excessive damage or splitting, Seville Classics will guarantee replacement of the wood top.

## **Restore Shallow Scratches or Chips**

If the wood top becomes scratched and chipped over time or during assembly, a Polyurethane finish can be applied to help restore the wood's natural texture, as well as protect the surface from future damage.

## **Applying a Polyurethane Coating**

Please follow the manufacturer's instruction on the product for application.

## CONTACT INFORMATION (pg 9 of 9)

\*If you are missing any parts, have any questions, or need additional assistance in assembly, please contact our bilingual (English/Spanish) customer service department at:



**Seville Classics, Inc.**  
19401 South Harborgate Way  
Torrance, CA 90501  
USA

Telephone: (800) 323-5565 within USA

Hours: 9:00am - 4:30pm (Pacific Standard Time)

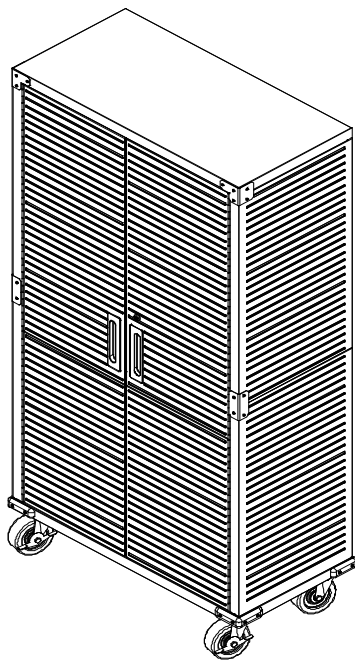
Fax: (310) 533-3899

E-mail: [support@sevilleclassics.com](mailto:support@sevilleclassics.com)

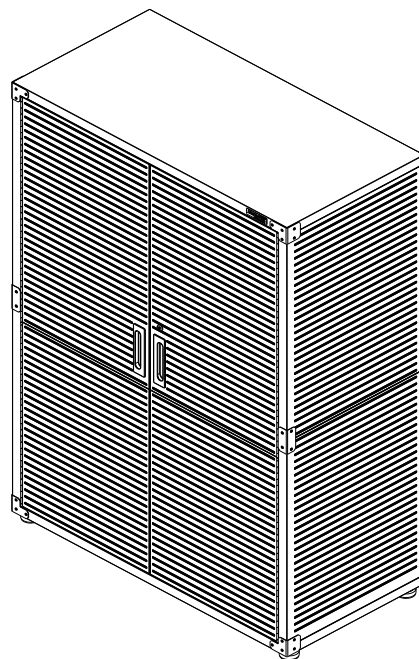
Website & Online Store: [www.sevilleclassics.com](http://www.sevilleclassics.com)

**\*\*\*Please visit our website or call and inquire about our additional UltraHD Line\*\*\***

### UltraHD Line

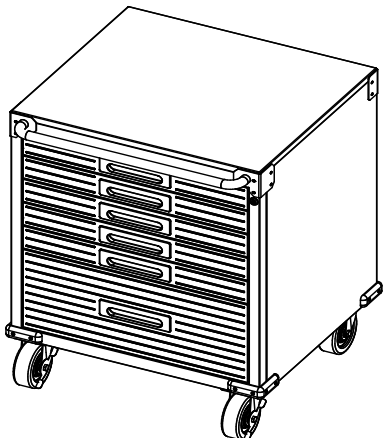


**Model No. 16236**  
**UltraHD Storage Cabinet**

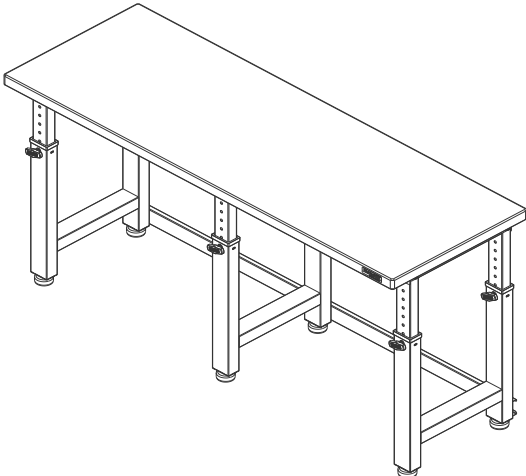


**Model No. 16238**  
**UltraHD Mega Storage Cabinet**

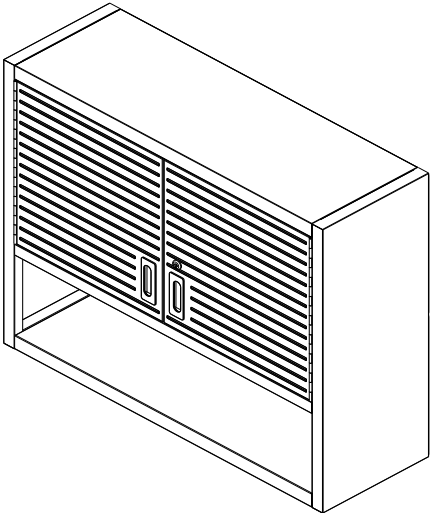
# UltraHD Line



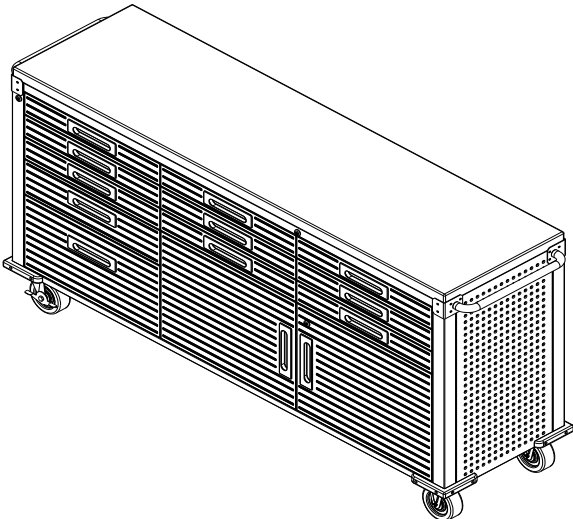
**Model No. 20184**  
**UltraHD Rolling Drawer Cabinet**



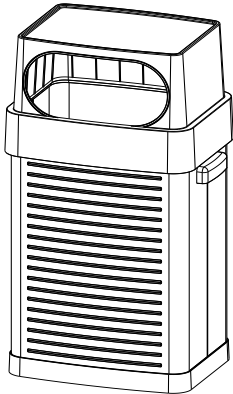
**Model No. 20296**  
**UltraHD Height Adjustable Workbench**



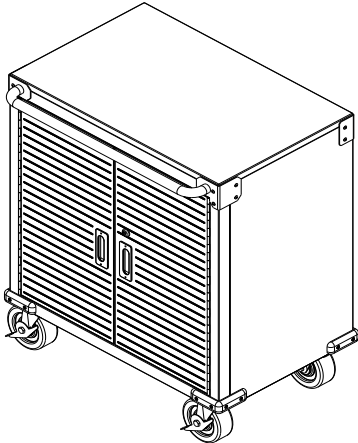
**Model No. 20230**  
**UltraHD Wall Cabinet**



**Model No. 20262**  
**UltraHD Rolling Workbench**



**Model No. 20217**  
**UltraHD Trash Bin**



**Model No. 20227**  
**UltraHD Rolling Cabinet**