



ASSEMBLY INSTRUCTIONS

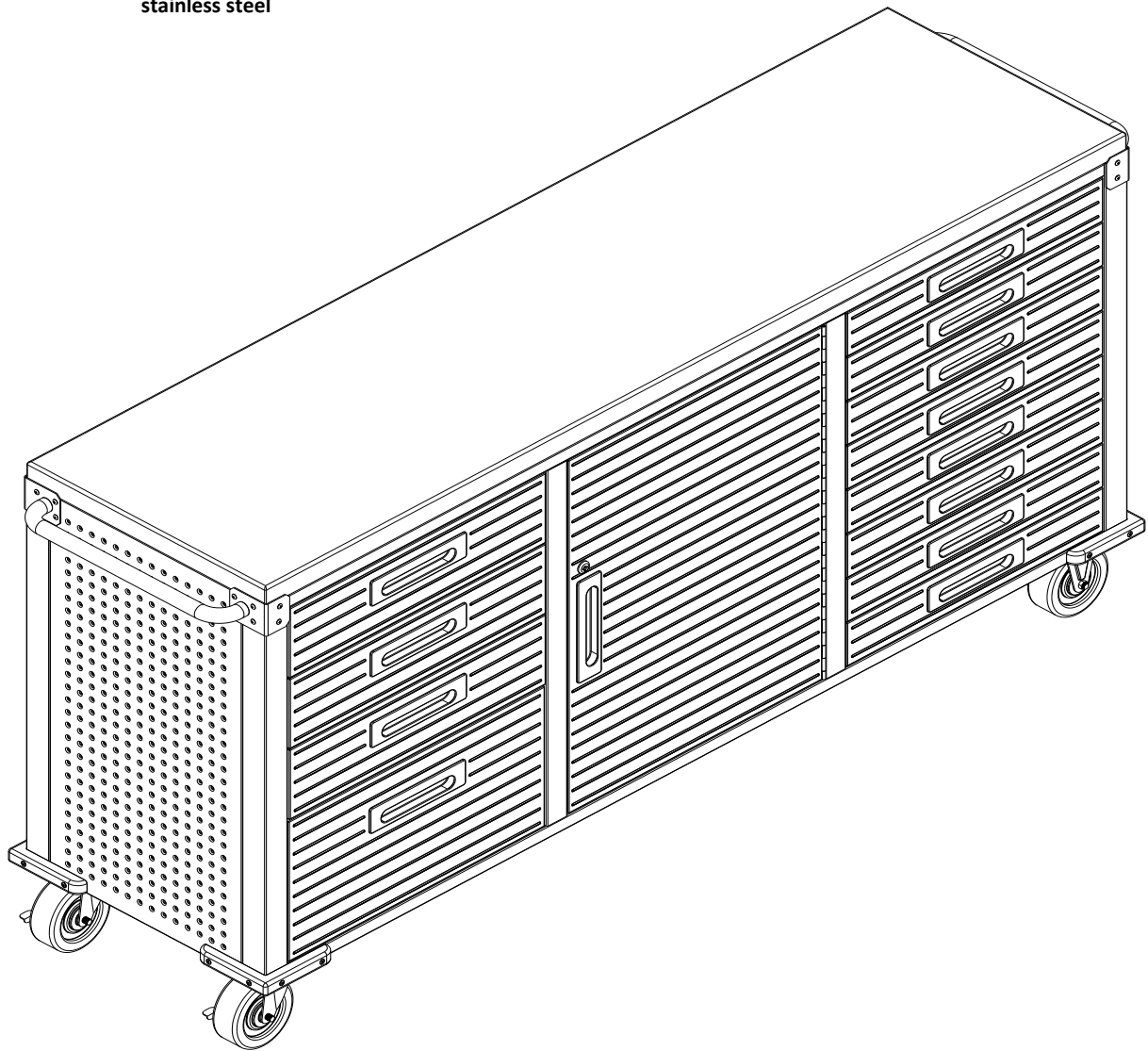
UltraHD Rolling Workbench Cabinet (Model No. 20242)

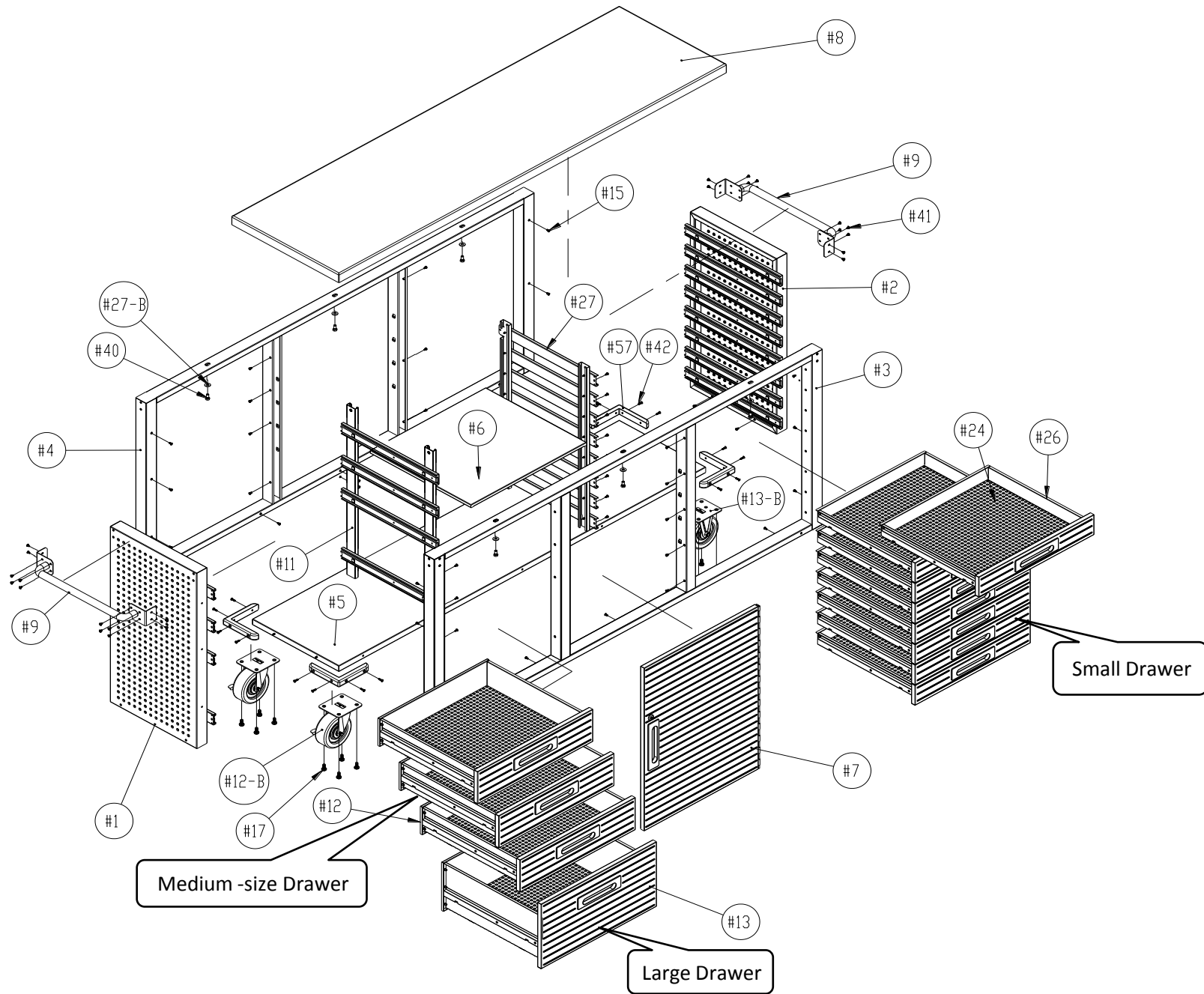
77in. w x 20in. D x 37.5in. H

(1.95m x 50.8cm x 95.2cm)

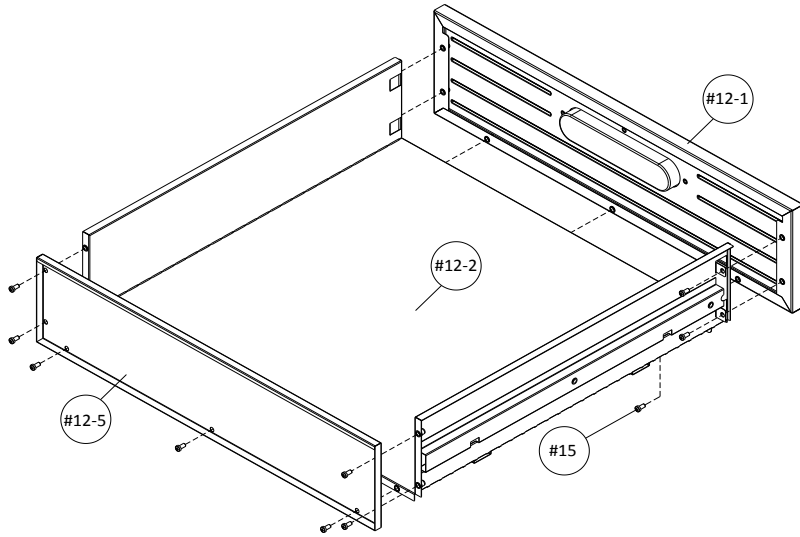
UltraGuard™
Fingerprint resistant surfaces

Reference page 13 for special
care and maintenance of
stainless steel

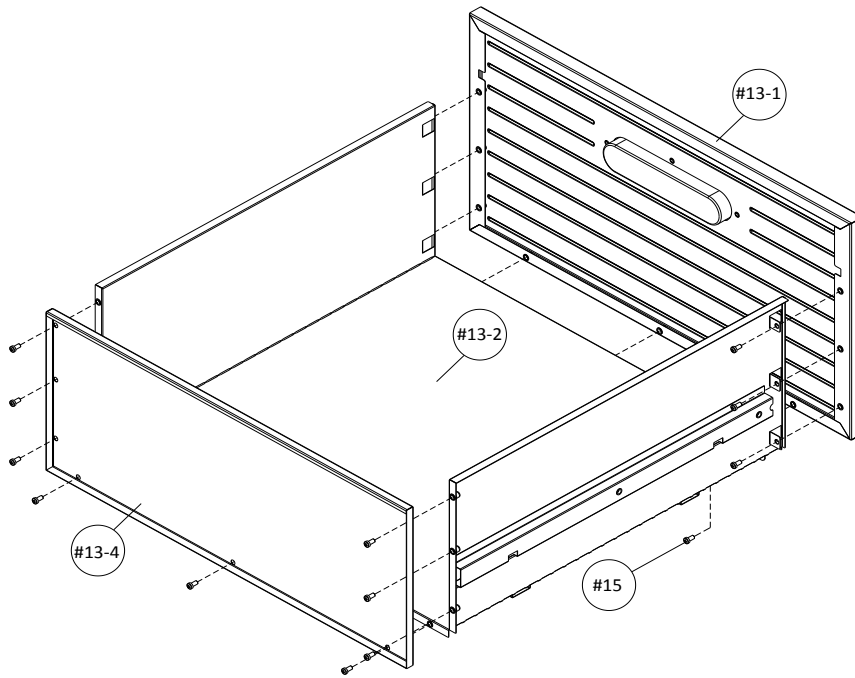




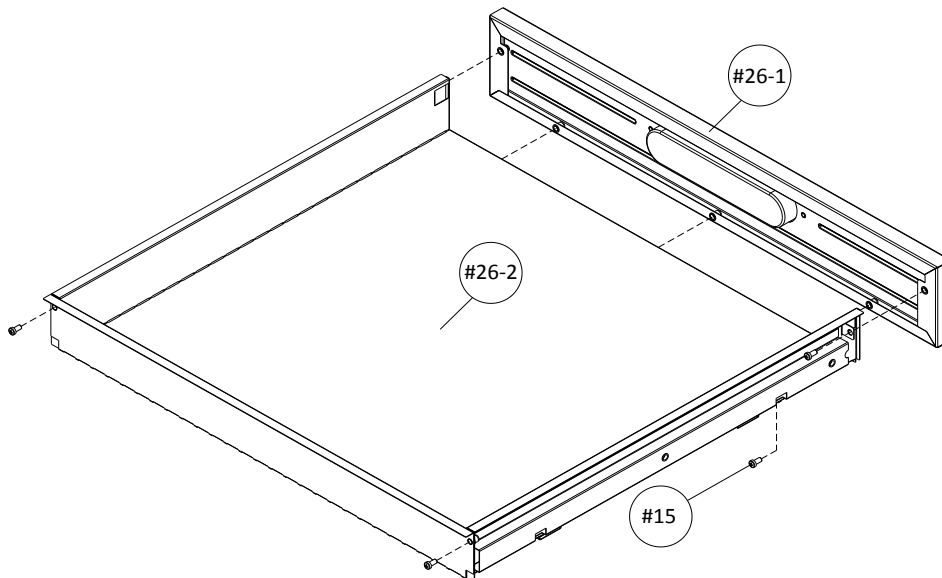
Medium-size Drawer



Large Drawer

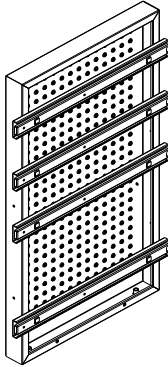


Small Drawer

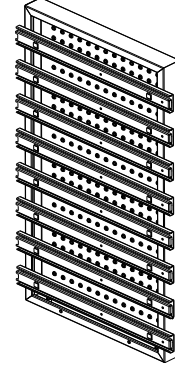


PARTS LIST (pg 3 of 14)

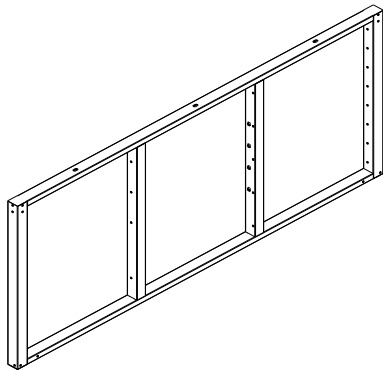
Please check the parts carefully according to the parts list. If you are missing any parts, please contact our customer service department (please refer to page 14 of 14).



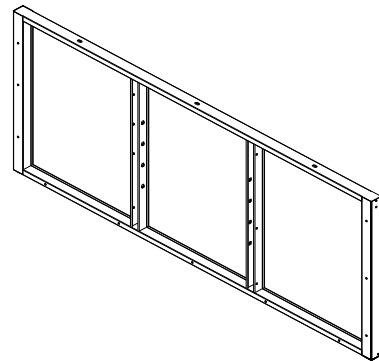
(#1) LEFT SIDE PANEL x 1 PC



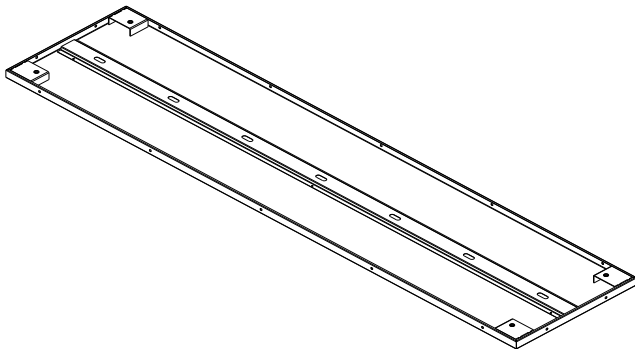
(#2) RIGHT SIDE PANEL x 1PC



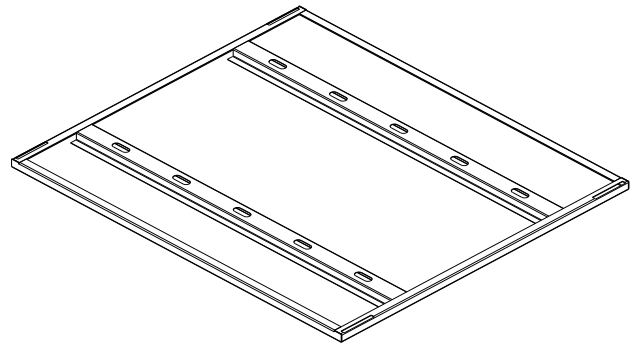
(#3) FRONT FRAME x 1 PC



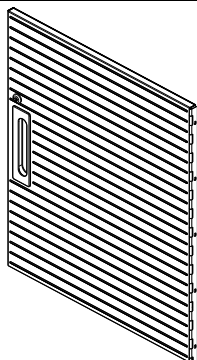
(#4) BACK FRAME x 1 PC



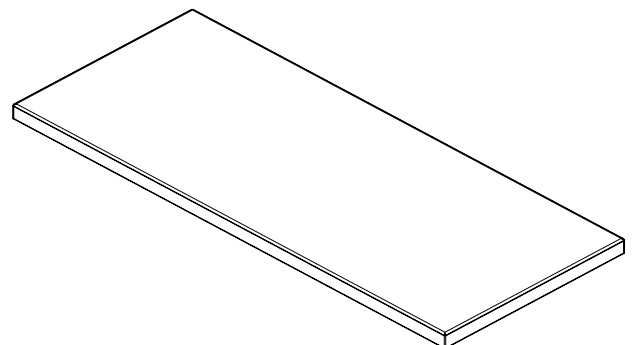
(#5) BASE PANEL x 1 PC



(#6) SHELF x 1 PC



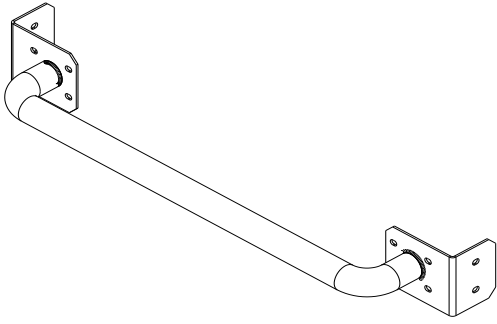
(#7) DOOR x 1 PC



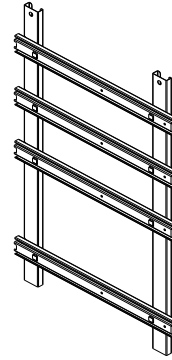
(#8) SOLID HARDWOOD TOP x 1 PC

PARTS LIST (pg 4 of 14)

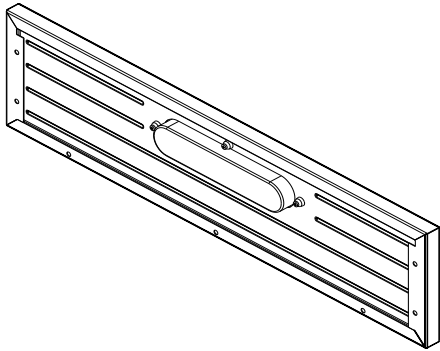
Please check the parts carefully according to the parts list. If you are missing any parts, please contact our customer service department (please refer to page 14 of 14).



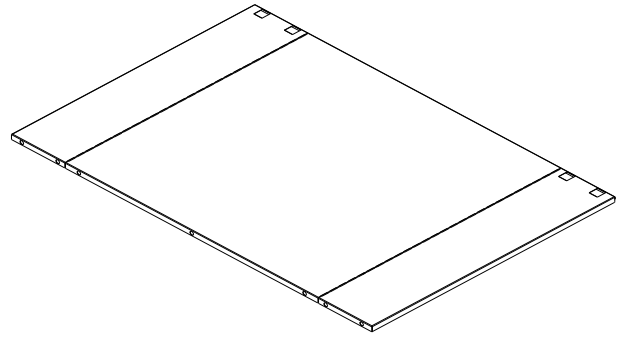
(#9) HANDLE BAR x 2 PCS



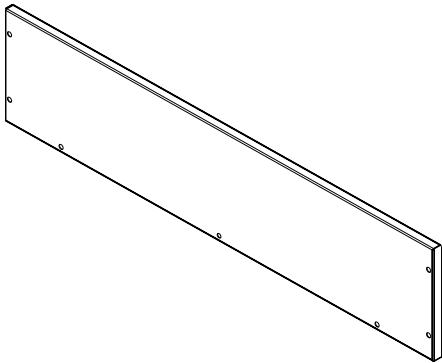
(#11) MEDIUM-SIZE & LARGE DRAWER SLIDER SUPPORT x 1 PC



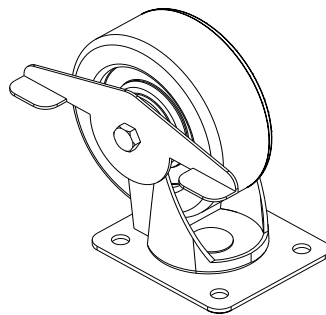
(#12-1) MEDIUM-SIZE DRAWER FRONT x 3 PCS



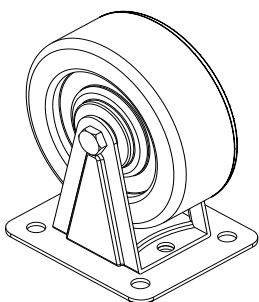
(#12-2) MEDIUM-SIZE DRAWER BOTTOM PANEL x 3 PCS



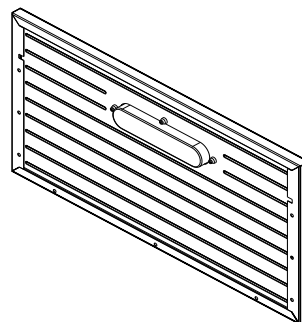
(#12-5) MEDIUM-SIZE DRAWER BACK PANEL x 3 PCS



(#12-B) SWIVEL WHEEL WITH BRAKE x 2 PCS



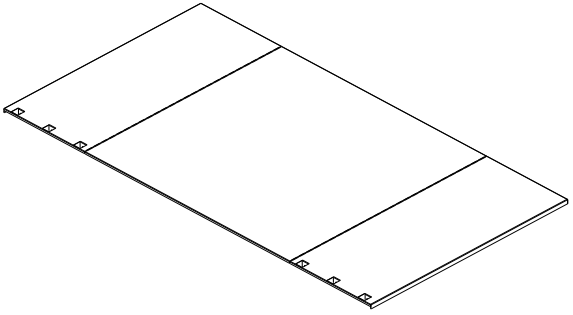
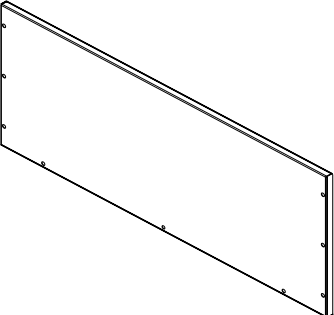
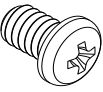
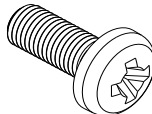
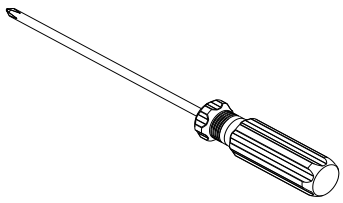
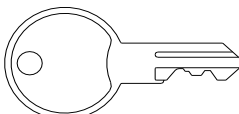
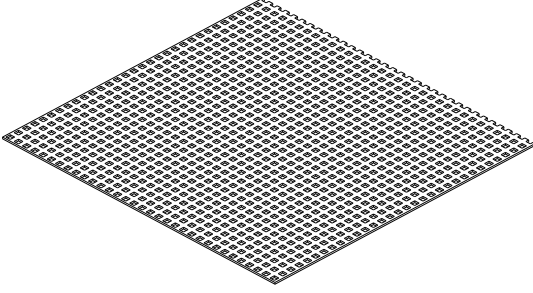
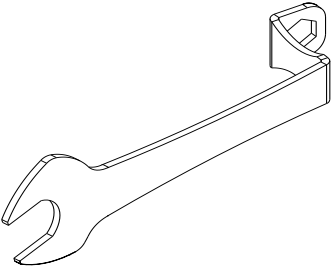
(#13-B) FIXED WHEEL W/O BRAKE x 2 PCS



(#13-1) LARGE DRAWER FRONT PANEL x 1 PC

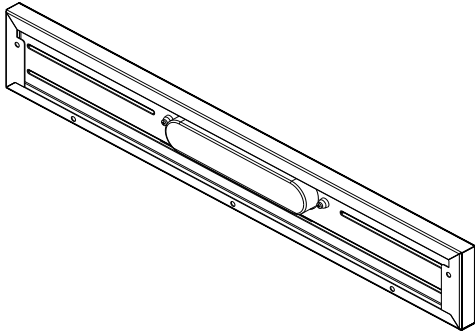
PARTS LIST (pg 5 of 14)

Please check the parts carefully according to the parts list. If you are missing any parts, please contact our customer service department (please refer to page 14 of 14).

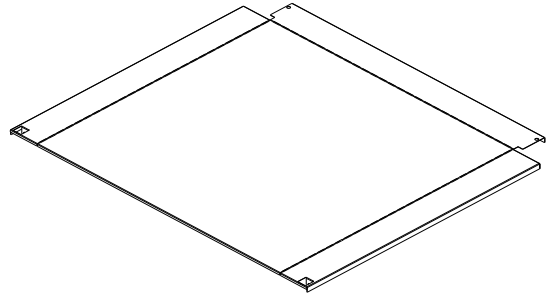
 A large, rectangular panel with a central vertical groove and four small rectangular tabs at the corners.	 A long, narrow rectangular panel with a series of small circular holes along its top and bottom edges.
<p>(#13-2) LARGE BOTTOM PANEL x 1 PC</p>	<p>(#13-4) LARGE DRAWER BACK PANEL x 1 PC</p>
 A small screw with a Phillips head and a short thread length.	 A medium-sized screw with a Phillips head and a longer thread length.
<p>(#15) SCREW B (M4 x 8L) x 226 PCS</p>	<p>(#17) SCREW D (M8 x 18L) x 16 PCS</p>
 A screwdriver with a long, thin shaft and a textured handle.	 A standard key with a circular head and a notched blade.
<p>(#21) SCREWDRIVER x 1 PC</p>	<p>(#22) KEY x 2 PCS</p>
 A square mat with a grid of small, raised rectangular bumps.	 A combination wrench with a long handle and a curved head.
<p>(#24) DRAWER MAT x 12 PCS</p>	<p>(#25) WRENCH x 1 PC</p>

PARTS LIST (pg 6 of 14)

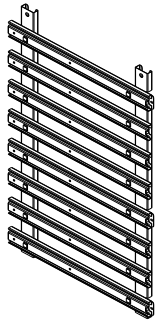
Please check the parts carefully according to the parts list. If you are missing any parts, please contact our customer service department (please refer to page 14 of 14).



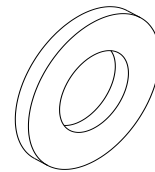
(#26-1) SMALL DRAWER FRONT x 8 PCS



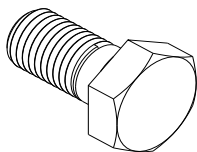
(#26-2) SMALL DRAWER CASE x 8 PCS



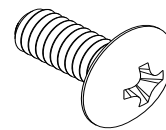
(#27) SMALL DRAWER SLIDER SUPPORT x 1 PC



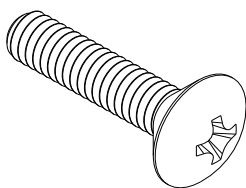
(#27-B) WASHER (M8) x 6 PCS



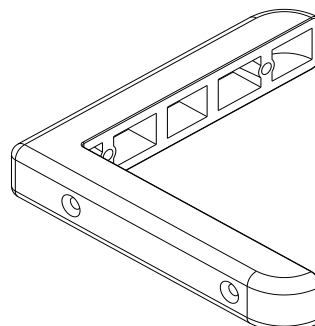
(#40) SCREW E (M8 x 18L) x 6 PCS



(#41) SCREW F (M4 x 8L) x 24 PCS



(#42) SCREW G (M4 x 30L) x 16 PCS



(#57) BUMPER x 4 PCS

UltraHD Rolling Workbench Cabinet (Model No. 20242)

(pg 7 of 14)

TIP: A magnetic screwdriver is included for your convenience. If a power screwdriver is used, keep on a low torque setting.

With our customers needs in mind, this package contains an updated folding drawer construction designed for faster easier assembly while maintaining a comparable rigid structure and loading capacity.

Step 1. Open both boxes, locate and remove the cardboard box containing the (#8) Solid Hardwood Top, and place the other parts to the side.

Step 2. Install Back Frame (#4) to Solid Hardwood Board (#8).

[Use the (#25) Wrench for this step] Open the cardboard box containing the (#8) Solid Hardwood Top. Assemble on top of the cardboard to avoid scratching the wood top. Locate the (#4) Back Frame and using (#40) Screw E and (#27-B) Washers, attach the "Top" of the (#4) Back Frame, as indicated by the attached sticker, to the (#8) Solid Hardwood Board (The Solid Hardwood Board has no set front or back end.).

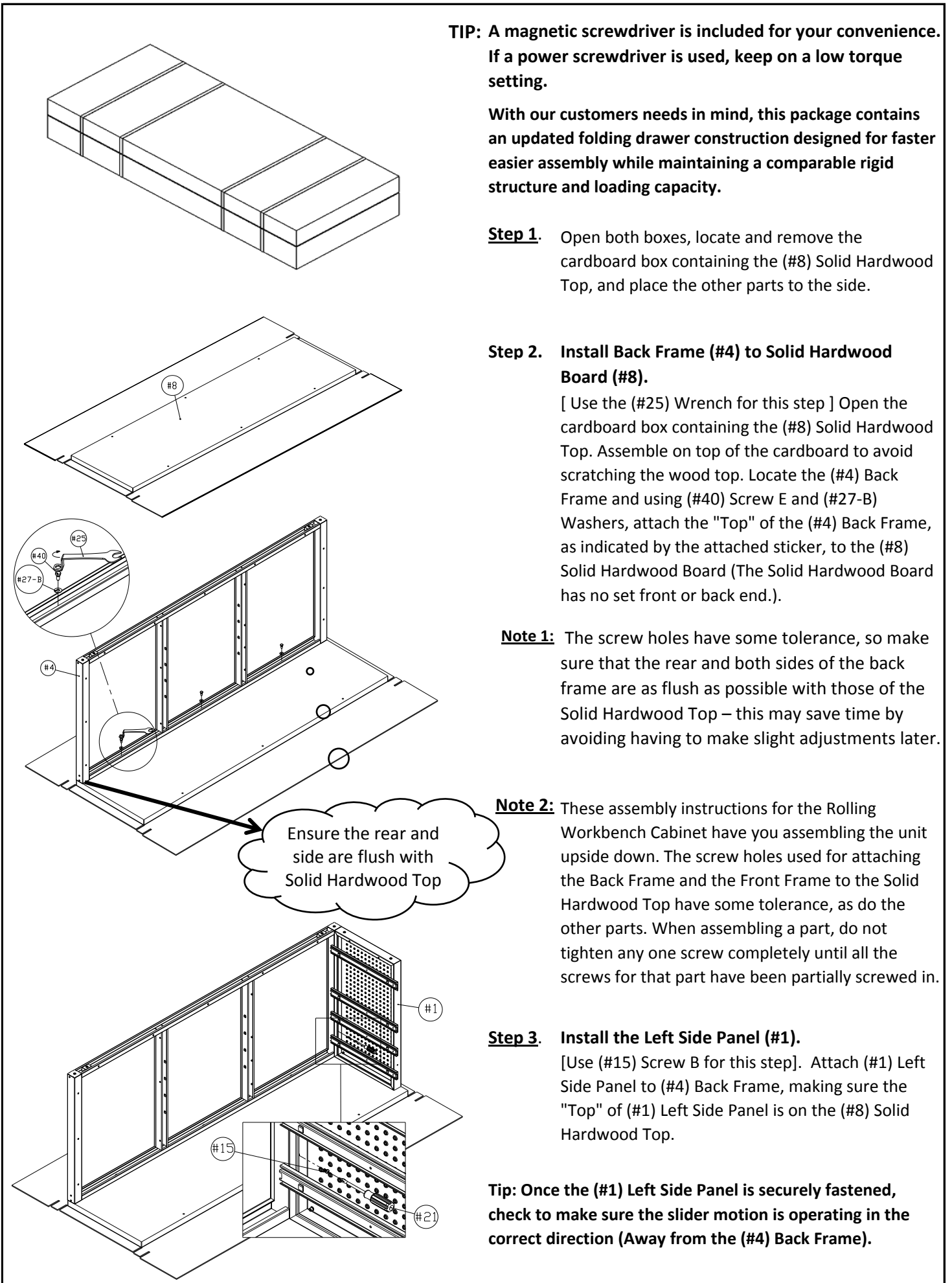
Note 1: The screw holes have some tolerance, so make sure that the rear and both sides of the back frame are as flush as possible with those of the Solid Hardwood Top – this may save time by avoiding having to make slight adjustments later.

Note 2: These assembly instructions for the Rolling Workbench Cabinet have you assembling the unit upside down. The screw holes used for attaching the Back Frame and the Front Frame to the Solid Hardwood Top have some tolerance, as do the other parts. When assembling a part, do not tighten any one screw completely until all the screws for that part have been partially screwed in.

Step 3. Install the Left Side Panel (#1).

[Use (#15) Screw B for this step]. Attach (#1) Left Side Panel to (#4) Back Frame, making sure the "Top" of (#1) Left Side Panel is on the (#8) Solid Hardwood Top.

Tip: Once the (#1) Left Side Panel is securely fastened, check to make sure the slider motion is operating in the correct direction (Away from the (#4) Back Frame).



UltraHD Rolling Workbench Cabinet (Model No. 20242)

(pg 8 of 14)

Step 4. Install the (#11) Medium Size & Large Drawer Slider Support .

[Use (#15) Screw B & (#21) Screwdriver for this step]. Attach (#11) Medium Size & Large Drawer Slider Support to the (#4) Back Frame, making sure the "Top" of Medium Size & Large Drawer Slider Support is close to the (#8) Solid Hardwood Top. Again, the "Top" is indicated by a sticker on one of the vertical columns.

Note: the Drawer Slides will face those on the (#1) Left Side Panel.

Step 5. Install the (#27) Small Drawer Slider Support.

[Use (#15) Screw B & the (#21) Screwdriver for this step]. Attach (#27) Small Drawer Slider Support to the (#4) Back Frame, making sure the "Top" of (#27) Small Drawer Slider Support is close to the Solid Hardwood Top. Again, the "Top" is indicated by a sticker on one of the vertical columns. **Note:** the Drawer Slide will face those on the (#2) Right Side Panel also.

Remove 3 Slides to create the space needed to use (#21) Screwdriver.

Step 6. Install the (#2) Right Side Panel.

[Use (#15) Screw B for this step]. Please remove 3 Drawer Slides (as shown in picture on the left) before attaching (#2) Right Side Panel to (#4) Back Frame. Again, place the "Top" of Side Panel on the Solid Hardwood Top and attach to Back Frame.

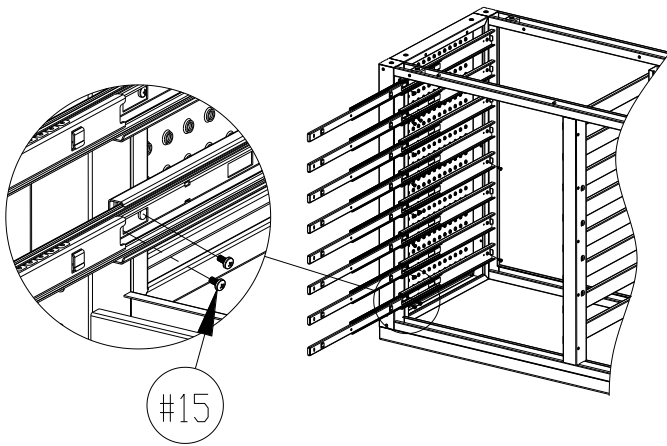
Step 7. Install the (#3) Front Frame.

[Use (#15) Screw B and (#40) Screw E & (#27-B) Washer for this step]. Using (#40) Screw E and (#27-B) Washer, attach the "Top" of the (#3) Front Frame to the (#8) Solid Hardwood Top. Then, using (#15) Screw B, attach the (#11) Medium-Size & Large Drawer Slider Support & (#27) Small Drawer Slider Support and both (#1 & 2) Left & Right Side Panels to the (#3) Front Frame.

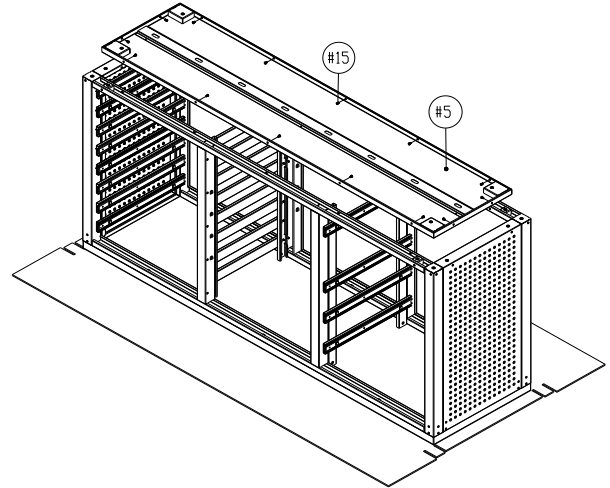
Note: The ball bearing track will have to be pulled out about 1" to expose the screw hole used for fastening to the (#3) Front Frame.

UltraHD Rolling Workbench Cabinet (Model No. 20242)

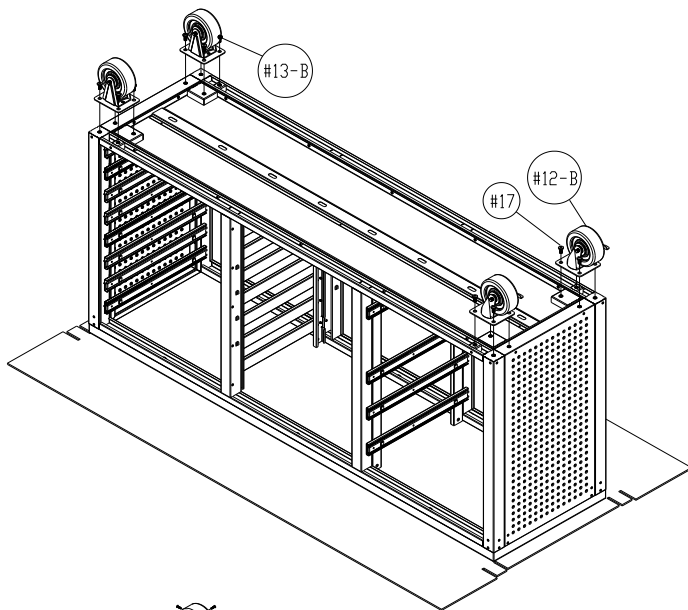
(pg 9 of 14)



Step 8. Fasten the 3 slides back onto the (#2) Right Side Panel that you removed in step 6.

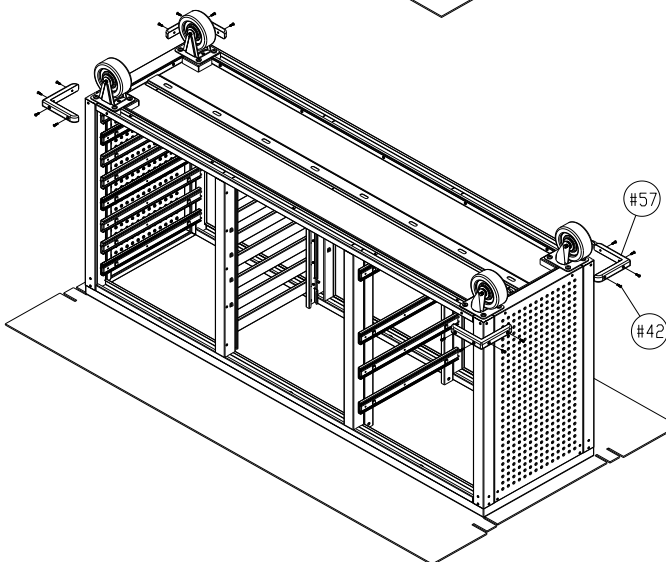


Step 9. [Use (#15) Screw B for this step] Attach the (#5) Base Panel to the rest of the unit.

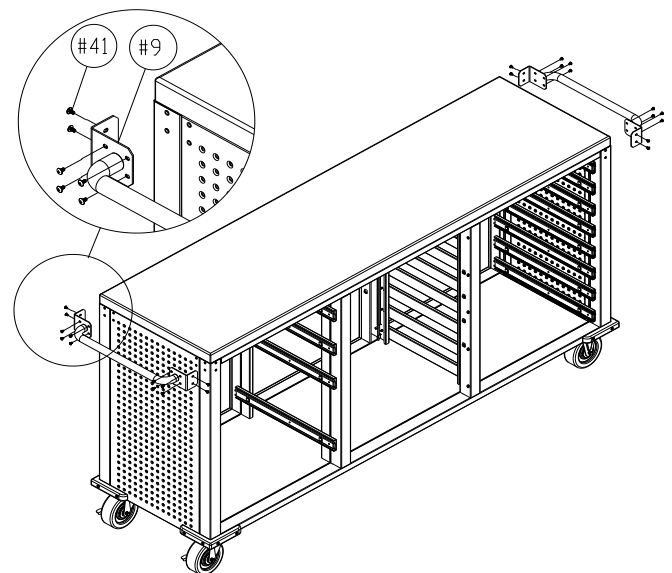


Step10. Install (#12-B & #13-B) Wheels.

Use (#17) Screw D for this step] Attach (#12-B & #13-B) Wheels. Make sure that the (#13-B) Fixed Wheels w/o Brakes are on the same end (right or left side) of the Workbench. Also, there is some tolerance in the holes of the wheel frame, so make sure that the two wheels w/o brakes are parallel both to each other and with the frame of the unit.



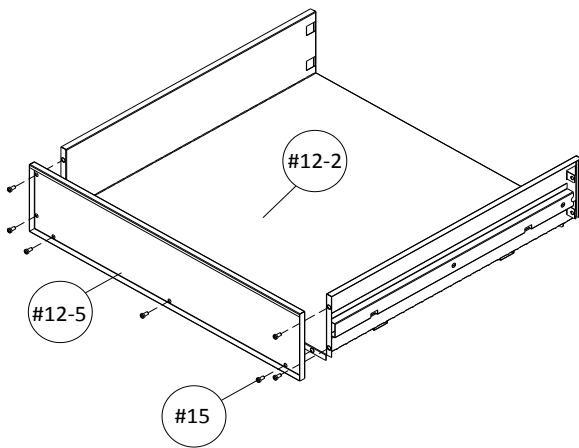
Step 11. [Use (#42) Screw G for this step] Attach (#57) Bumpers to the bottom four corners of Work Bench. Then, rotate/stand the Work Bench upright.



Step 12. [Use (#41) Screw F for this step] Attach (#9) Handle Bars on both the (#1 & #2) Left and Right Side Panels.

UltraHD Rolling Workbench Cabinet (Model No. 20242)

(pg 10 of 14)



Step 13. Install (#12-2) Medium-size Drawer Bottom and (#12-5) Medium-size Drawer Back Panel.

[Use (#15) Screw B for this step].

1. Fold the Left and Right panel up.
2. Attach the back panel to the folded drawer panel, use 7pcs (#15) Screw B to tighten.

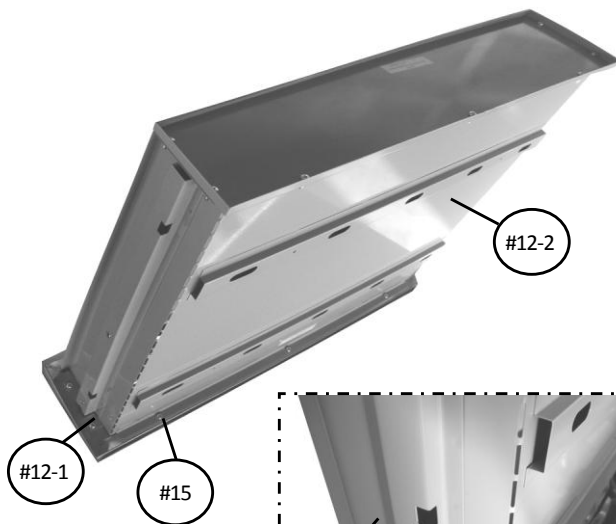
Note: Do not tighten the screws all the way, until step 14 is completed.

Scan for
Step by
Step Video
Instruction



https://www.sevilleclassics.com/12_drawer_rolling_workbench_ultra_hd

(CLICK on the product video tab)



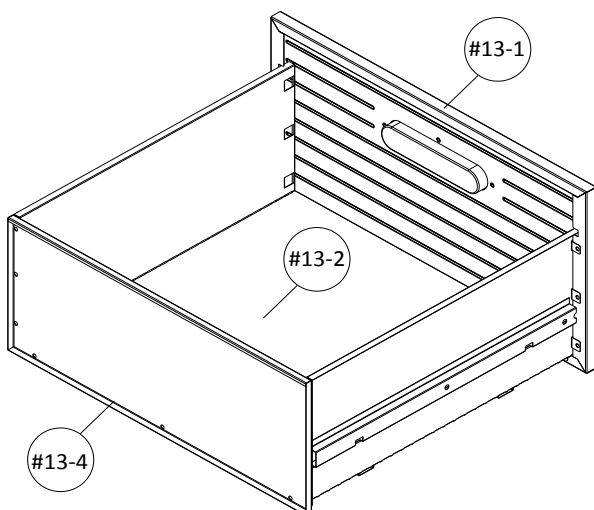
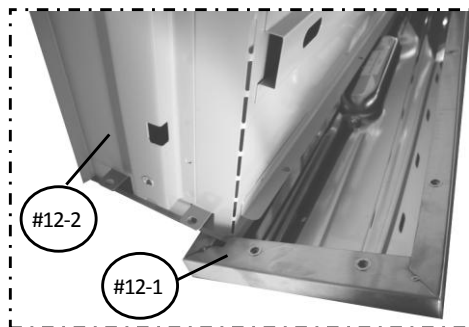
Step 14. Install (#12-1) Medium-size Drawer Front.

[Use (#15) Screw B for this step].

From above, slide Left and Right Drawer Panel into (#12-1) Medium-size Drawer Front as detail picture shown, use 7pcs (#15) Screw B to tighten.

Note: The drawer panel should be inserted behind the folded drawer front edge. The drawer face will overlap the drawer panel tabs.

Once all the drawer panels are aligned, tighten all the drawer screws.

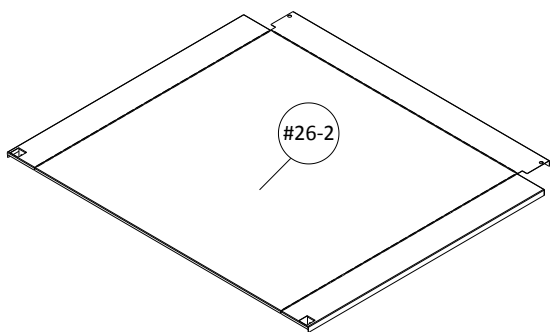


Assemble Large Drawer in the same way.

Repeat **Step 13** and **Step 14**, but using (#13-1) Large Drawer Front Panel, (#13-2) Large Drawer Bottom Panel.

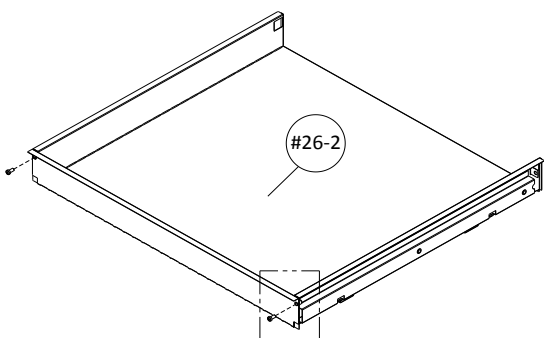
UltraHD Rolling Workbench Cabinet (Model No. 20242)

(pg 11 of 14)

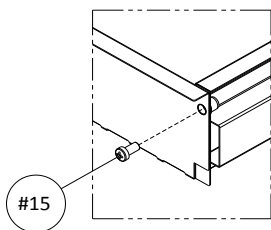


Step 15. Install Small Drawer Front (#26-1) to Small Drawer Body (#26-2).

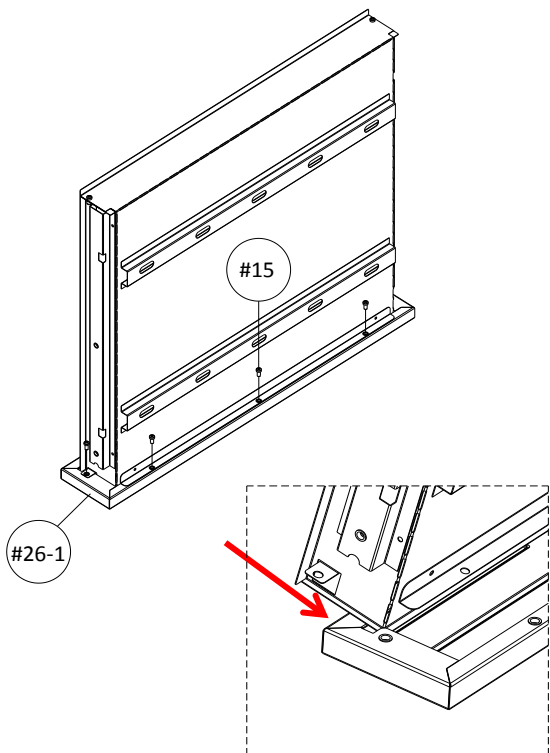
1. Fold (#26-2) Small Drawer Body left Panel and right panel, and back panel up.



2. After fold up each panels of (#26-2) Small Drawer Body, use (#15) Screw B to tighten the back panel to the Left and right panel.



Note: Do not tighten the screws all the way, until part 3 is completed.

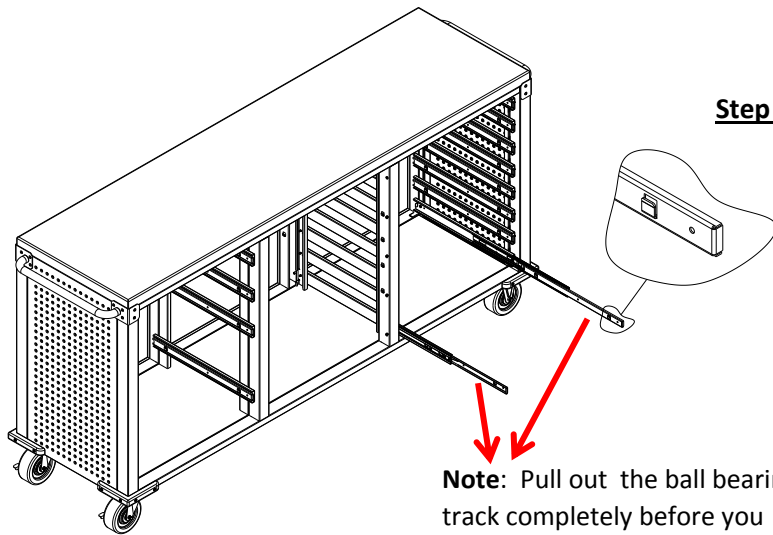


3. Slide Left and Right Drawer Panel into (#26-1) Small Drawer Front as detail picture shown, use 5pcs (#15) Screw B to tighten.

Once all the drawer panels are aligned, tighten all the drawer screws.

UltraHD Rolling Workbench Cabinet (Model No. 20242)

(pg 12 of 14)



Note: Pull out the ball bearing track completely before you attach drawer.

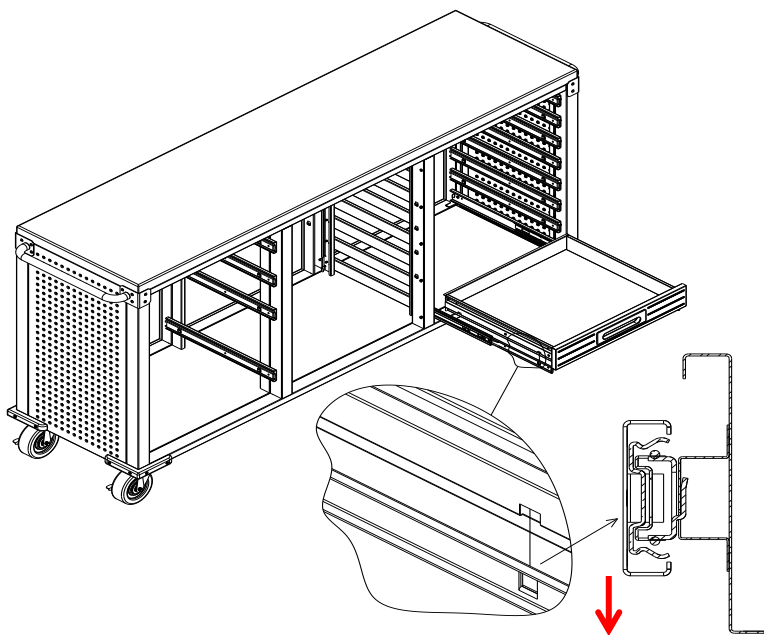
Step 16. Place the Drawers.

1. Pull out the sliders completely, then put the drawer to the sliders, make sure the square holes on the drawer side panels are line up, and the drawer is hook on the sliders completely.

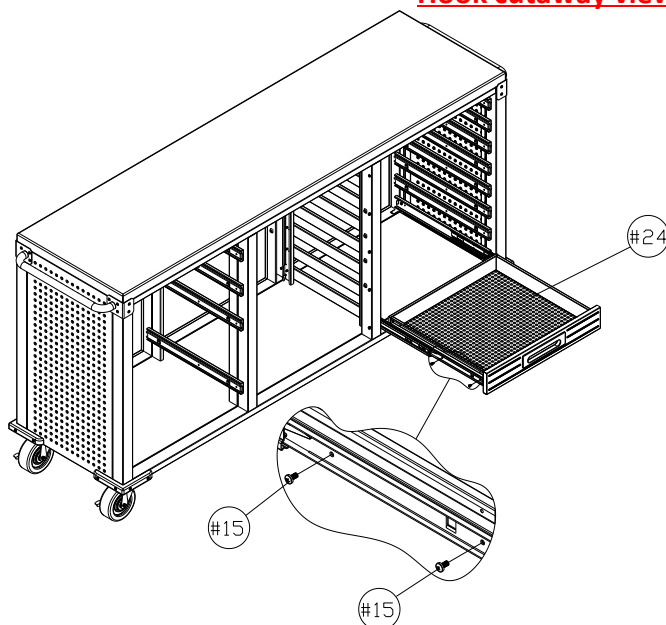
2. Use 4pcs (#15) Screw B to tighten the drawer, and put (#24) Drawer Mat into the drawer.

Repeat above steps to place other drawers.

Note: Do not tighten any screws completely until all the drawers are adjusted well.



Hook cutaway view



CAUTION



Only open one drawer at a time to avoid tipping. 40 lbs. maximum loading for each drawer.

UltraHD Rolling Workbench Cabinet (Model No. 20242)

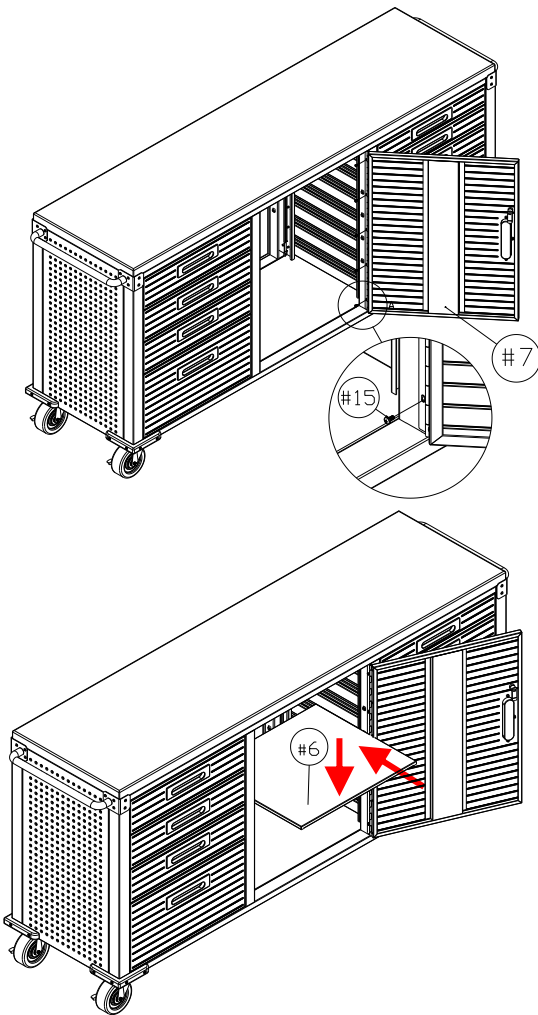
(pg 13 of 14)

Step 17. Install the stainless steel (#7) Door.

[Use (#15) Screw B for this step] Attach the stainless steel Door (#7) to the unit. Note that the screw holes on the door hinge have tolerance, enabling the door to be adjusted and centered in the door frame.

Step 18. Install the (#6) Shelf.

Place the Shelf (#6) in the unit at the desired height and ensure that all four corners are secured on the hooks on the front and back frame.



Stainless Steel Maintenance:

These parts have an UltraGuard™ fingerprint resistant finish. Do not use traditional stainless steel cleaners on this unit. Lightly wipe off once a month with clean warm water and a soft cloth (preferably a micro fiber cloth). This is the safest formula to prevent new stains from appearing over time and manage unwanted fingerprints or grease marks. Remember to always wipe in the direction of the surface grain (NEVER ACROSS) and always use a lint-free cloth. Once the surface is clean, thoroughly wipe dry with a soft absorbent cloth.

UltraHD Wood Top

Although great care is taken to hand select consistent wood top color and grain for UltraHD products, there can and will be natural variations in color and graining between finished products. These variations contribute to the beauty of using a natural material as a workbench and are considered standard quality. Variations of color within these standards and minor scratches in the clear coat finish will not be a reason for replacement. If the wood top is received with excessive damage or splitting, Seville Classics will guarantee replacement of the wood top.

Restore Shallow Scratches or Chips

If the wood top becomes scratched and chipped over time or during assembly, a Polyurethane finish can be applied to help restore the wood's natural texture, as well as protect the surface from future damage.

Applying a Polyurethane Coating

Please follow the manufacturer's instruction on the product for application.

*If you are missing any parts, have any questions, or need additional assistance in assembly please contact our **bilingual (English/Spanish) customer service department** at:

Seville Classics, Inc.

19401 South Harborgate Way
Torrance, CA 90501
USA

Telephone: (800) 323-5565 within USA

Hours: 9:00am - 4:30pm (Pacific Standard Time)

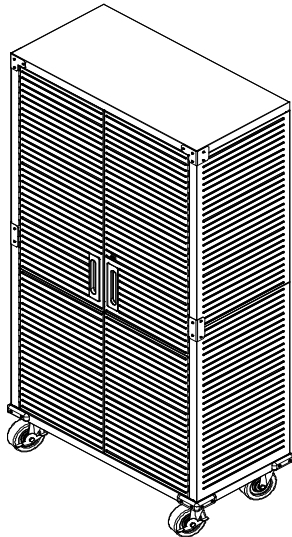
Fax: (310) 533-3899

E-mail: support@sevilleclassics.com

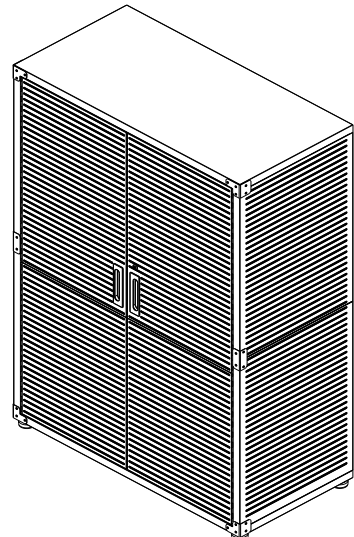
Website & Online Store: www.sevilleclassics.com

*****Please visit our website or call and inquire about our additional UltraHD Line*****

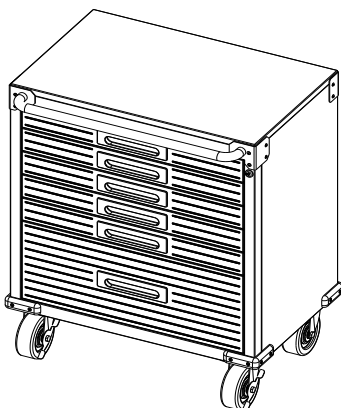
UltraHD Line



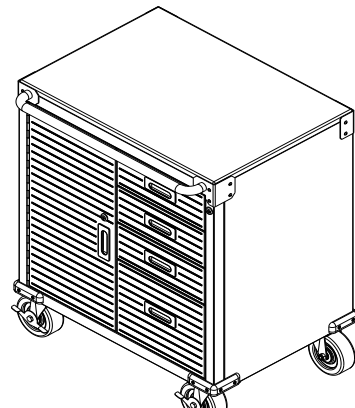
Model No. 16236
UltraHD Rolling Cabinet



Model No. 16238
UltraHD Mega Storage

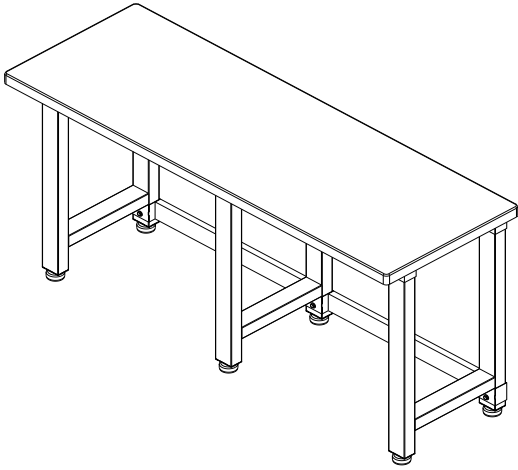


Model No. 20204
UltraHD 6-Drawer Rolling

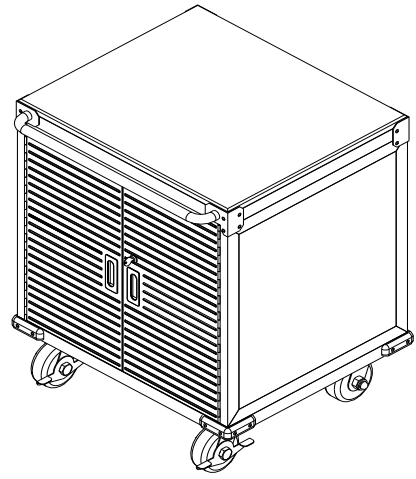


Model No. 20205
UltraHD Rolling Drawer

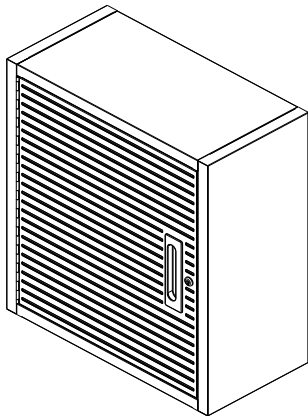
UltraHD Line



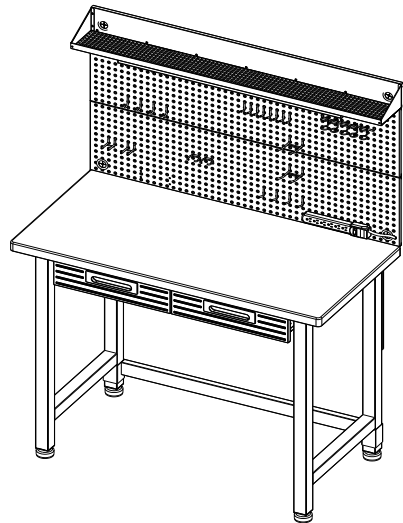
Model No. 20206
UltraHD Workbench



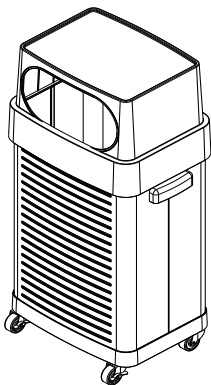
Model No. 20227
UltraHD Rolling Cabinet



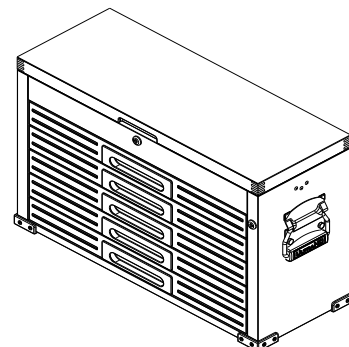
Model No. 20229
UltraHD Wall Cabinet



Model No. 20247
UltraHD Lighted Workcenter



Model No. 20215
UltraHD Trash Bin



Model No. 20254
UltraHD Tool Chest