



ASSEMBLY INSTRUCTIONS

UltraHD Rolling Cabinet (Model No. 20227)

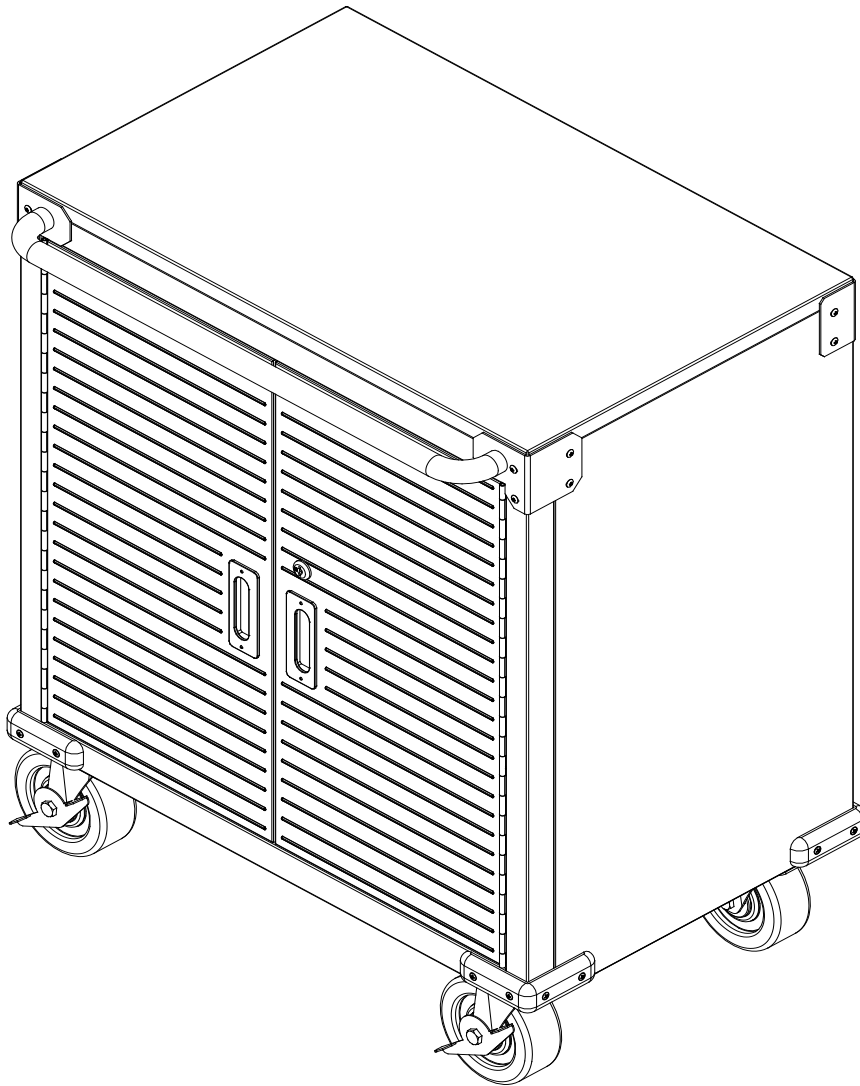
28in. W X 18in. D X 34.5in. H

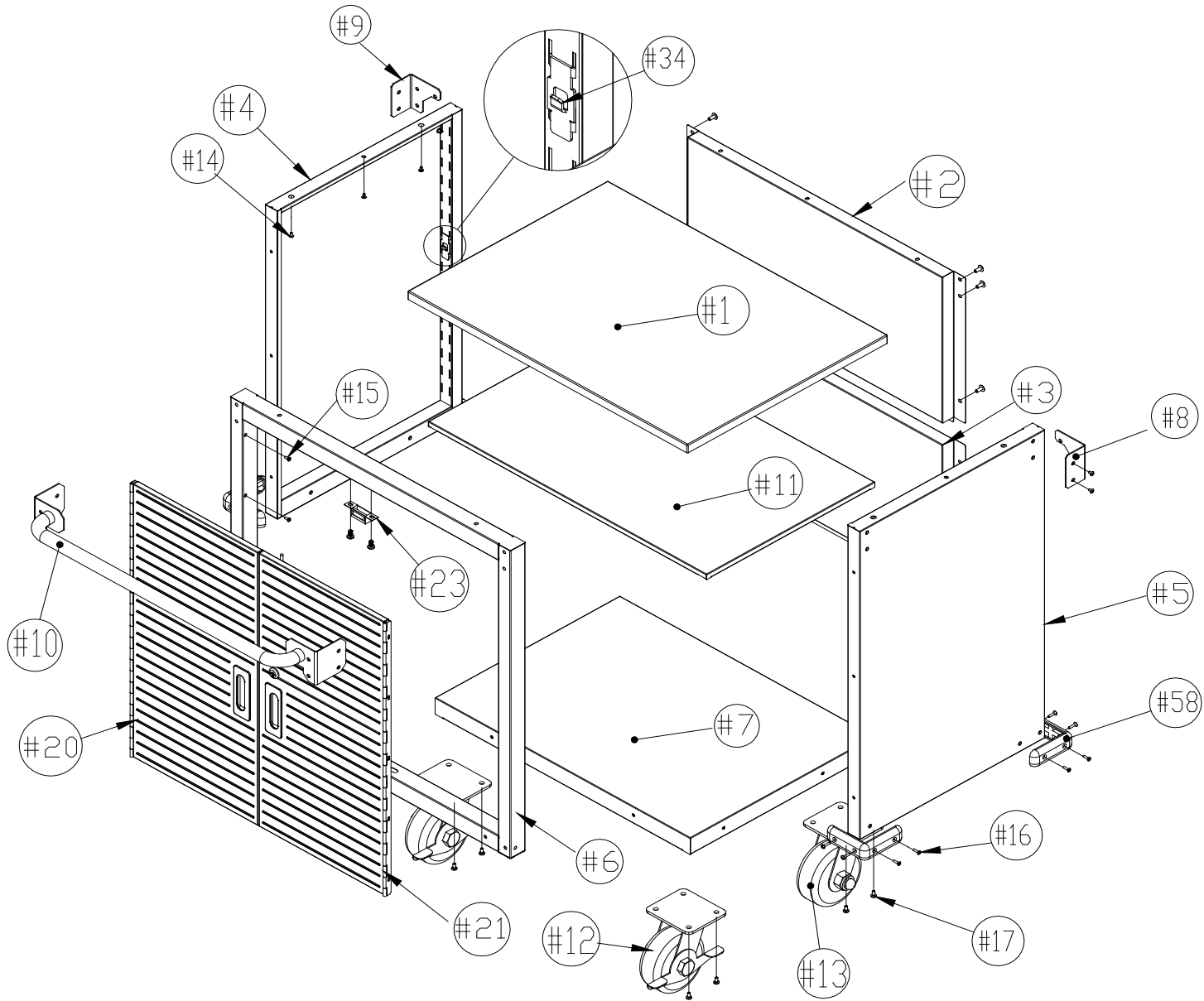
(71.1cm x 45.7cm x 87.6cm)

ULTRAGUARD®

FINGERPRINT RESISTANT SURFACES
AND INCREASED DURABILITY

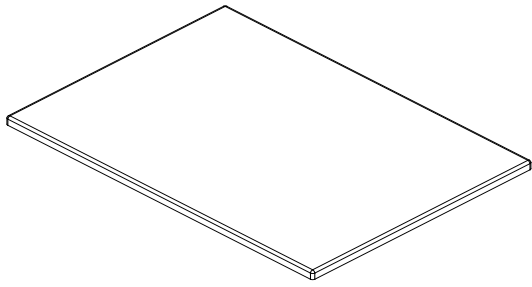
Reference page 8 for special
care and maintenance of
stainless steel



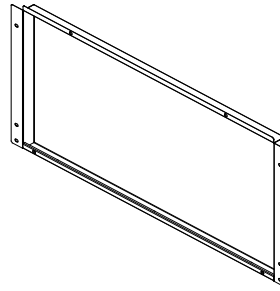


PARTS LIST (pg 2 of 9)

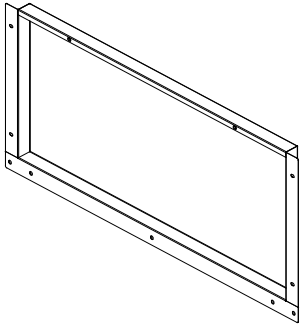
Please check the parts carefully according to the parts list. If you are missing any parts, please contact our customer service department. (please refer to page 9 of 9) .



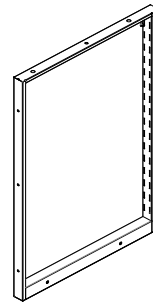
(#1) SOLID HARDWOOD BOARD x 1 PC



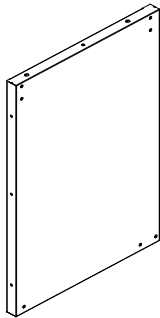
(#2) UPPER BACK PANEL x 1 PC



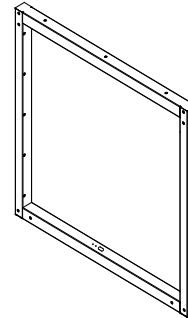
(#3) BOTTOM BACK PANEL x 1 PC



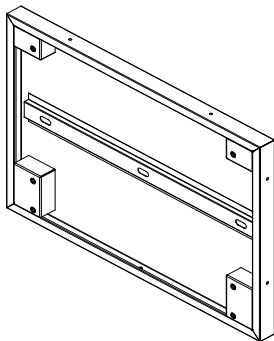
(#4) LEFT SIDE PANEL x 1 PC



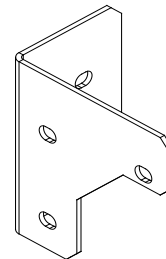
(#5) RIGHT SIDE PANEL x 1 PC



(#6) FRONT FRAME x 1 PC



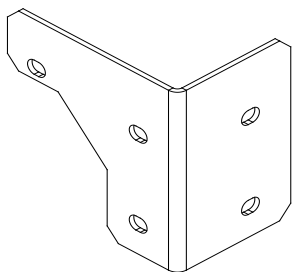
(#7) BOTTOM PANEL x 1 PC



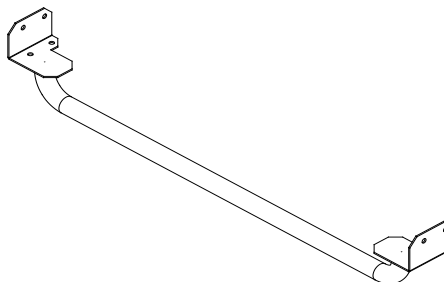
(#8) RIGHT BACK CORNER PROTECTOR x 1 PC

PARTS LIST (pg 3 of 9)

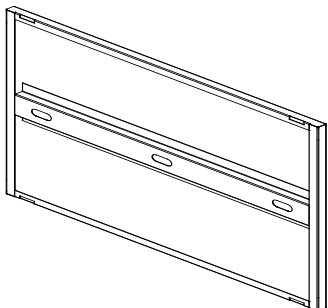
Please check the parts carefully according to the parts list. If you are missing any parts, please contact our customer service department. (please refer to page 9 of 9) .



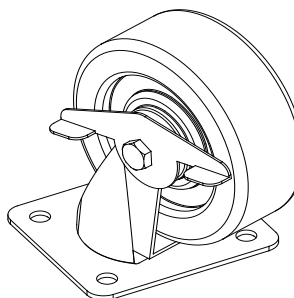
(#9) LEFT BACK CORNER PROTECTOR x 1 PC



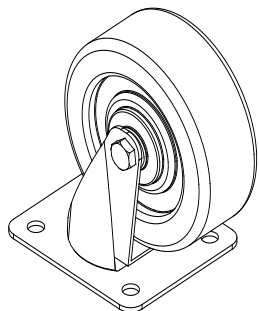
(#10) PUSH BAR x 1 PC



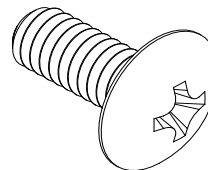
(#11) MIDDLE SHELF x 1 PC



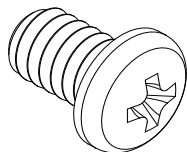
(#12) SWIVEL WHEEL WITH BRAKE x 2 PCS



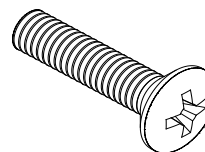
(#13) SWIVEL WHEEL W/O BRAKE x 2 PCS



(#14) SCREW A (M4 x 10) x 54 PCS



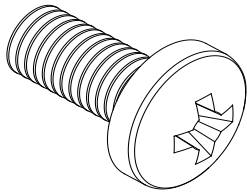
(#15) SCREW B (M4 x 8) x 10 PCS



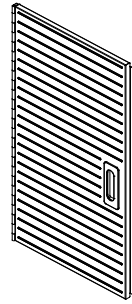
(#16) SCREW C (M4 x 18) x 16 PCS

PARTS LIST (pg 4 of 9)

Please check the parts carefully according to the parts list. If you are missing any parts, please contact our customer service department. (please refer to page 9 of 9) .



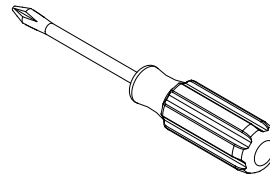
(#17) SCREW D (M8 x 18) x 16 PCS



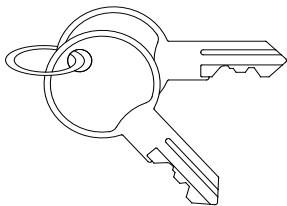
(#20) LEFT DOOR PANEL x 1 PC



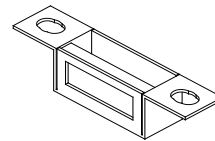
(#21) RIGHT DOOR PANEL x 1 PC



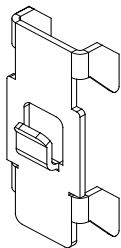
(#21-A) SCREWDRIVER x 1PC



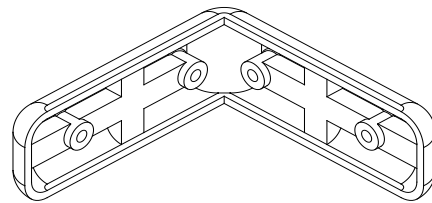
(#22) KEY x 2 PCS



(#23) MAGNET x 2 PCS



(#34) HOOK x 4 PCS



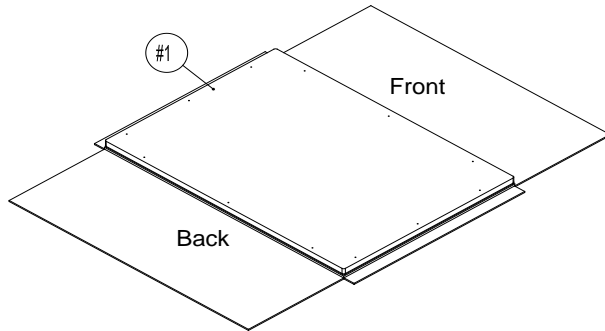
(#58) BUMPER x 4 PCS

ASSEMBLY INSTRUCTIONS (pg 5 of 9)

UltraHD Rolling Cabinet (Model No. 20227)

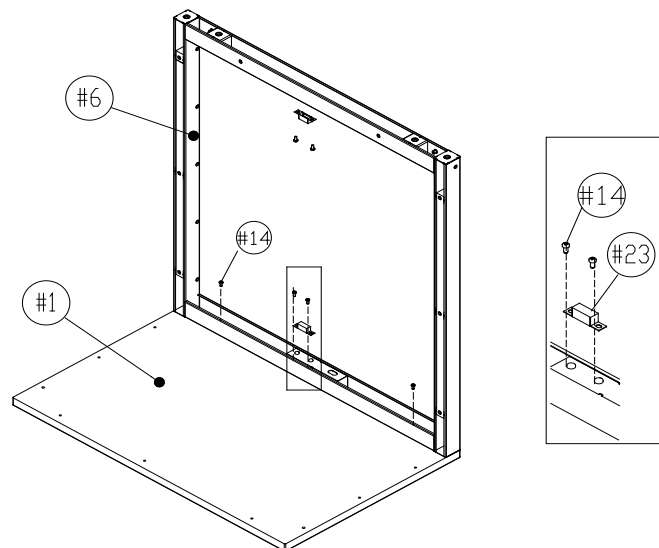
*NOTE: Recommend using 2 persons to assemble rolling cabinet

TIP: A magnetic screwdriver is included for your convenience. If a power screwdriver is used, keep on a low torque setting.



Step 1: Open the package, remove and place all parts to the side. Then open the package of the Solid Hardwood Board (#1).

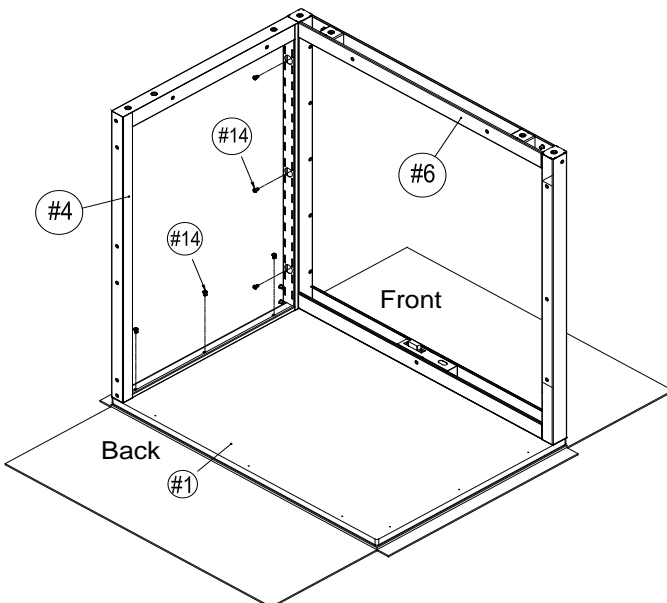
Note: The Solid Hardwood Board is packed within an inner cardboard box.



Step 2: Install Front Frame (#6) and Magnet (#23).

1). Attach the Magnet (#23) to the Front Frame (#6), one onto the top inside of the Front Frame, and another one on the bottom of the Front Frame (#6). Use Screw Driver (#21-A) and Screw A (#14) to tighten.

2). Attach the Front Frame (#6) onto the Solid Hardwood Board (#1), line up screw holes, use Screw Driver (#21-A) and Screw A (#14) to tighten.

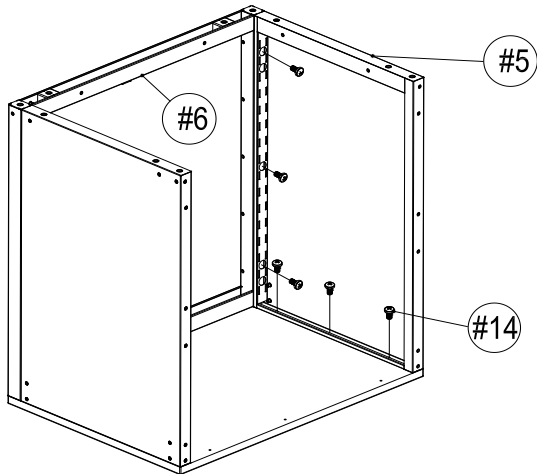


Step 3: Install the Left Side Panel (#4).

Attach the Left Side Panel (#4) to the Front Frame (#6) and Solid Hardwood Board (#1). Line up screw holes, use Screw A (#14) to tighten the Left Side Panel to the Front Frame (#6). Use Screw A (#14) to tighten the Left Side Panel to the Solid Hardwood Board (#1).

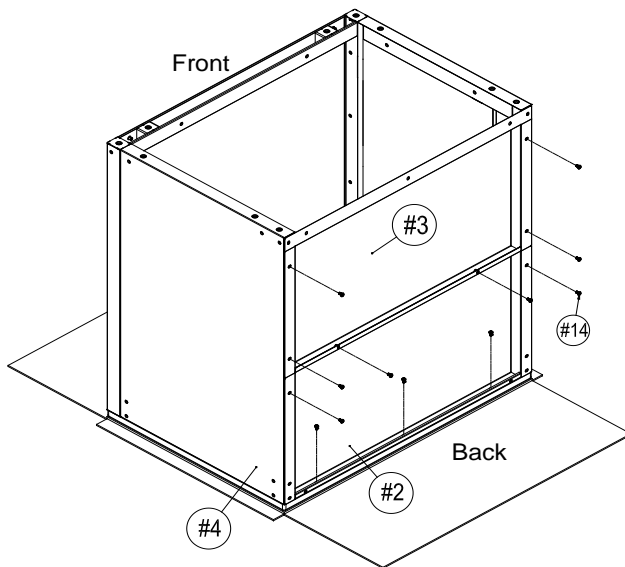
ASSEMBLY INSTRUCTIONS (pg 6 of 9)

UltraHD Rolling Cabinet (Model No. 20227)



Step 4: Install the Right Panel (#5).

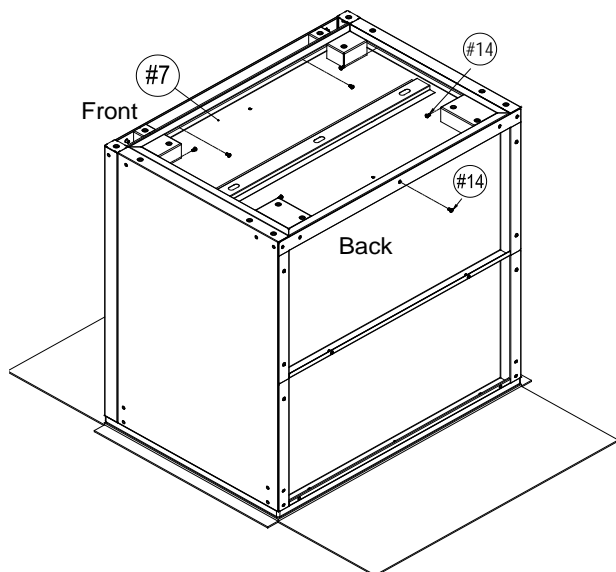
Attach the Right Side Panel (#5) to the Front Frame (#6) and Solid Hardwood Board (#1). Use Screw A (#14) to tighten the Right Side Panel (#5) to the Front Frame (#6). Use Screw A (#14) to tighten the Right Side Panel to the Solid Hardwood Board (#1).



Step 5: Install the Upper Back Panel (#2) and Bottom Back Panel (#3).

a). Attach the Upper Back Panel (#2) between the Left Panel (#4) and Right Panel (#5). Make sure the "Top" of the Upper Back Panel (#2) is against the Solid Hardwood Board (#1) as the sticker indicates. Line up the screw holes and use Screw A (#14) to tighten up the Upper Back Panel to the Solid Hardwood Board (#1), Left Panel (#4), and Right Panel (#5).

b). Attach Bottom Back Panel (#3) between the Left Panel (#4) and Right Panel (#5). Make sure the "Top" of the Bottom Back Panel (#3) is against the Upper Back Panel (#2) as the sticker indicates. Line up the screw holes and use Screw A (#14) to tighten the Bottom Back Panel (#3) to the Upper Back Panel (#2), Left Panel (#4) and Right Panel (#5).

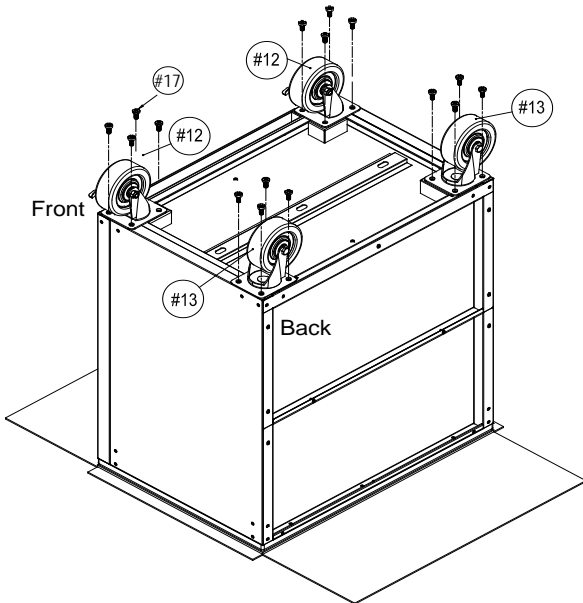


Step 6: Install the Bottom Panel (#7).

Attach the Bottom Panel (#7) to the Left Panel (#4), Right Panel (#5), Front Frame (#6) and Bottom Back Panel (#3). Line up the screw holes and use Screw A (#14) to tighten.

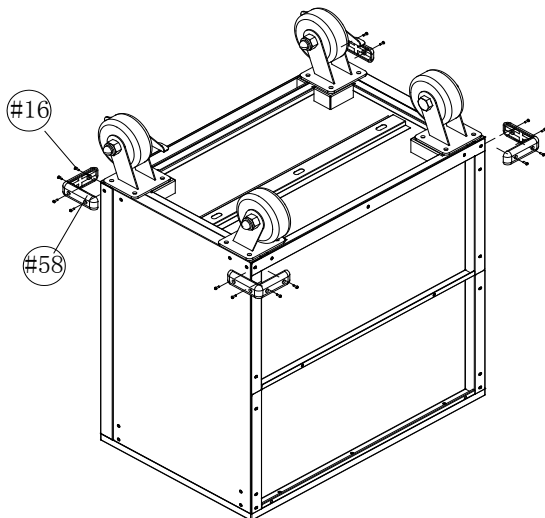
ASSEMBLY INSTRUCTIONS (pg 7 of 9)

UltraHD Rolling Cabinet (Model No. 20227)



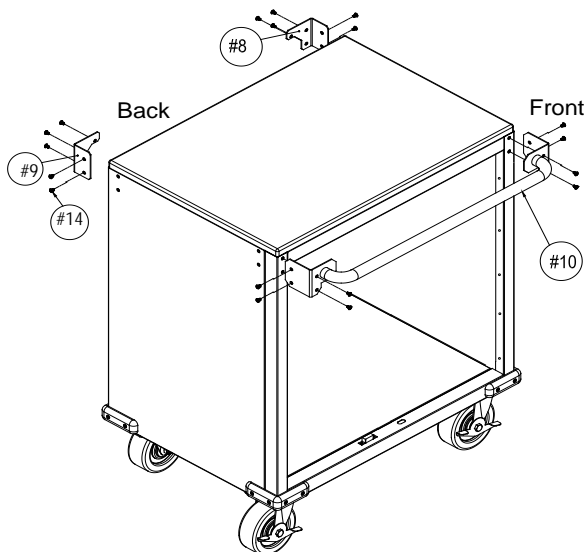
Step 7: Install Wheels (#12 and #13).

Attach Wheels (#12 and #13) to the Bottom Panel (#7) and surrounding frame. Make sure the Swivel Wheels with Brake are installed at the front side. Use Screw D (#17) to tighten them.



Step 8: Install Bumpers (#58).

Attach Bumpers (#58) to the bottom four corners of the cabinet. Use Screw C (#16) to tighten them.

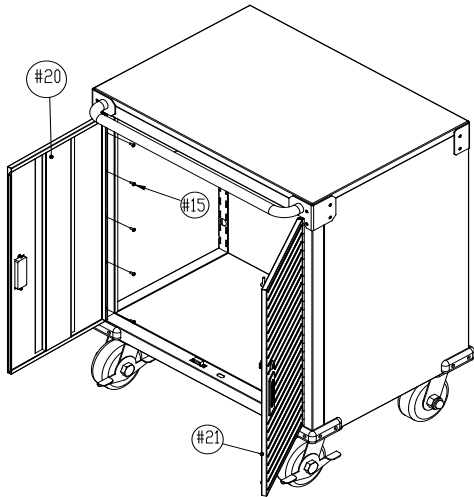


Step 9: Install Corner Protectors (#8 and #9) and Push Bar (#10).

Attach the Right Back Corner Protector (#8) and Left Back Corner Protector (#9) to the back side of the cabinet. Use Screw A (#14) to tighten them. Then attach the Push Bar (#10) to the front side of the cabinet. Use Screw A (#14) to tighten it.

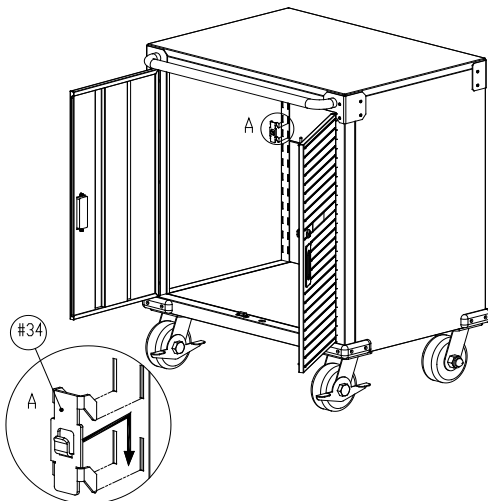
ASSEMBLY INSTRUCTIONS (pg 8 of 9)

UltraHD Rolling Cabinet (Model No. 20227)



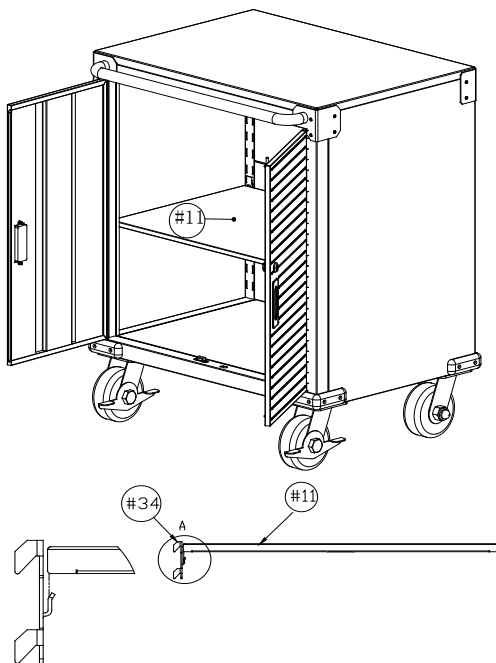
Step 10: Install the Left Door Panel (#20) and Right Door Panel (#21)

- a). Attach Left Door Panel (#20) to the Front Frame (#6), line up the screw holes, use Screw B (#15) to tighten.
- b). Attach Right Door Panel (#21) to the Front Frame (#6), line up the screw holes, use Screw B (#15) to tighten.



Step 11: Place the Hook (#34) and Middle Shelf (#11).

- a). Position the Hooks to the Left Side Panel (#4) and Right Side Panel (#5), make sure they are in the same height position.
- b). Place the Middle Shelf (#11) into the cabinet, and press down until secure on the Hooks (#34).



Stainless Steel Maintenance:

These parts have an UltraGuard® fingerprint resistant finish. Do not use traditional stainless steel cleaners on this unit. Lightly wipe off once a month with clean warm water and a soft cloth (preferably a micro fiber cloth). This is the safest formula to prevent new stains from appearing over time and manage unwanted fingerprints or grease marks. Remember to always wipe in the direction of the surface grain (NEVER ACROSS) and always use a lint-free cloth. Once the surface is clean, thoroughly wipe dry with a soft absorbent cloth.

CONTACT INFORMATION (pg 9 of 9)

*If you are missing any parts, have any questions, or need additional assistance in assembly, please contact our bilingual (English and Spanish) customer service department at:



Seville Classics, Inc.
19401 South Harborage Way
Torrance, CA 90501
USA

Telephone: (800) 323-5565 within USA

Hours: 9:00am - 4:30pm (Pacific Standard Time)

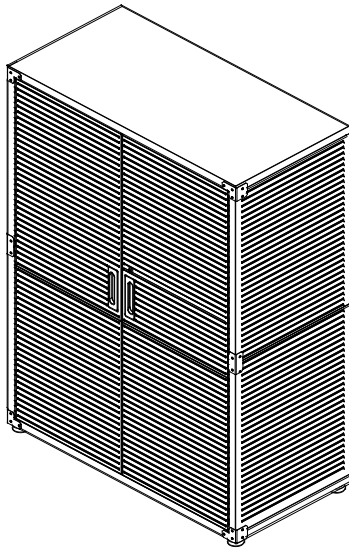
Fax: (310) 533-3899

E-mail: support@sevilleclassics.com

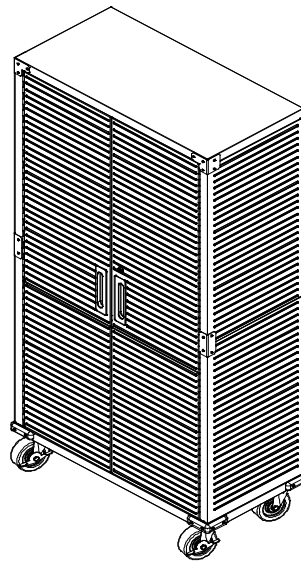
Website & Online Store: www.sevilleclassics.com

*****Please visit our website or call and inquire about our additional UltraHD Line*****

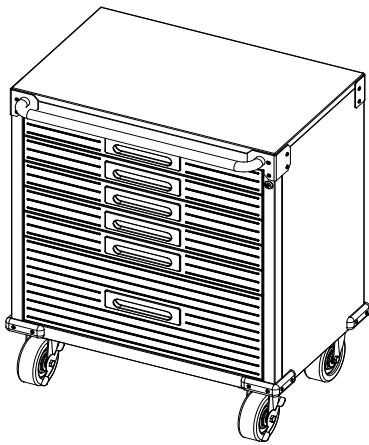
UltraHD Line



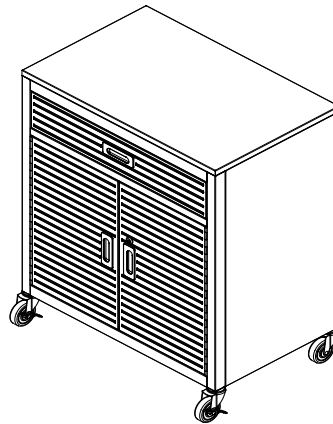
Model No. 16238
UltraHD Storage Cabinet



Model No. 16236
UltraHD Storage Cabinet

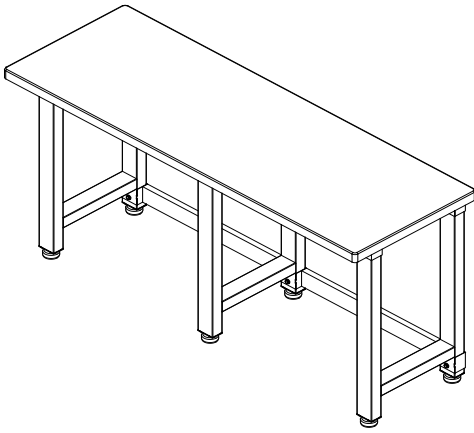


Model No. 20204
UltraHD 6-Drawer Rolling Cabinet

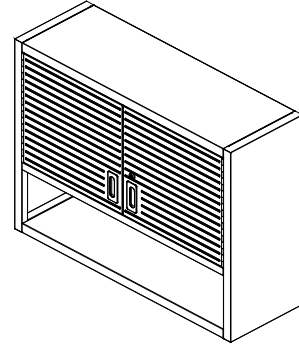


Model No. 20238
UltraHD Rolling Cabinet

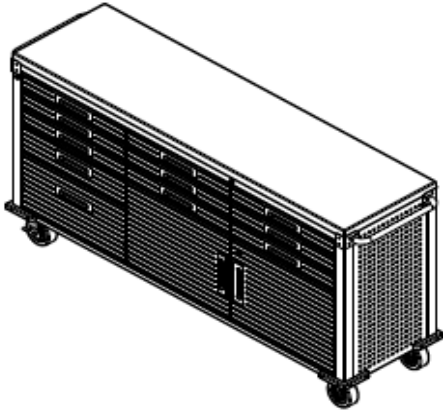
UltraHD Line



Model No. 20206
UltraHD Workbench



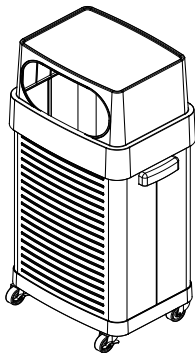
Model No. 20230
UltraHD Wall Cabinet



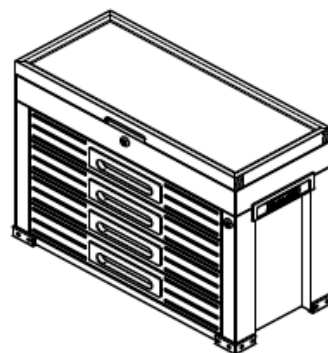
Model No. 20262
UltraHD Rolling Workbench



Model No. 20267
UltraHD Workcenter



Model No. 20215
UltraHD Trash Bin



Model No. 20255
UltraHD Tool Box