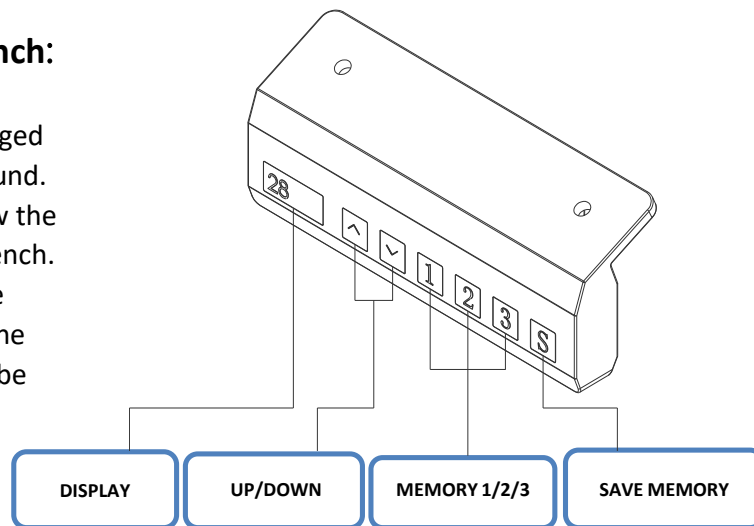


UltraHD® Dual Motor Electric Height Adjustable Workbench (Model No. 20200)


Quick Reference Guide

Power ON the workbench:

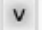
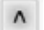
When the workbench is plugged in, you will hear a "Beep" sound. The Controller will then show the current height of the workbench. The number indicated on the display may be different to the actual height, it will need to be reset.



How to Reset

Press and HOLD the  button until the workbench reaches its lowest height. Continue to press and HOLD for about 5 seconds until you see a number (ie. 29.6) on the display AFTER it shows "rst" and makes the "beep-beep" sound.

How to Adjust the Height



Press and HOLD either the  or  to adjust to your desired height of the workbench.

How to Save the Height in Memory



There are 3 available memory heights you can save - 1, 2 & 3. Adjust the workbench to your desired height and press the "S" button to display "S-". Then press any of one of the 1, 2 or 3 number buttons. When a memory is saved, you will hear "beep-beep" sound.

By repeating the same steps, you can save or override an old saved memory with a new height.

How to Lock/Unlock the Controller

First adjust the workbench height to your desired lock height. Then press and HOLD the  and  buttons together for about 5 seconds until "Loc" is displayed.

At this moment, the Controller is locked and the workbench height can't be adjusted.

In order to unlock, press and HOLD the  and  buttons together for about 5 seconds until a number (previously locked height) is displayed.

Power Save Mode

If there is no action for 1 minute, the workbench will enter the power-saving mode. The display on the Controller will be turned off. Press any button on the Controller to wake the workbench from "Power Save Mode".

Please see reversed side for the complete list of error codes and troubleshooting steps for this workbench.

UltraHD® Dual Motor Electric Height Adjustable Workbench (Model No. 20200)

Quick Reference Guide

Error Code List		
Code	Meaning	Action
SC0	Self-Check Fail - Standby Mode Error	Re-plug the power supply. If the alert does not clear, please contact Customer Service.
SC1	Self-Check Fail - Main Power Error	Re-plug the power supply. If the alert does not clear, please contact Customer Service.
SC2	Self-Check Fail - Save Memory Error	Re-plug the power supply. If the alert does not clear, please contact Customer Service.
SC3	Self-Check Fail - Sensor Error	Re-plug the power supply. If the alert does not clear, please contact Customer Service.
R-2	Table Tilt Alert	The desk will run in the opposite direction for 2 inches automatically, then the alert will clear.
R-3	Sync Failure	Reset the Controller by following the How to Reset directions on page 14 of the Assembly Instructions.
HOT	Overheat Protection	Please let the motors cool down for 18 minutes.
R-5	Control system malfunction	Please check the connection between the Controller and the Control Box.
R-6	Voltage irregularity	Please contact Customer Service.
RST	Not reset completely	Reset the Controller by following the How to Reset directions on page 14 of the Assembly Instructions.
EX0	Driver Short-Circuit	Re-plug the power supply. If the alert do not clear, please contact Customer Service.
EX1	Over-Load Protection	Remove some weight from the workbench, then the alert will clear after 20 seconds.
EX2	Motor Phase Failure	Please check the connection of the motor cables.
EX3	Moving Direction Error	Please contact Customer Service.
EX4	Anti-collision	The workbench will run in the opposite direction for 2 inches automatically, then the alert will clear.
EX5	Motor Stalling Alarm	Please contact Customer Service.
EX6	Motor cables not connected	Check the motor cable connections to the Control Box - refer to page 8 of the Assembly Instructions.
EX7	Mechanical Malfunction	Please contact Customer Service.



Contact Customer Support

Email: Support@SevilleClassics.com

Telephone: 1 (800) 323-5565

Hours (M-F): 8:30 AM - 4:30 PM (PST)

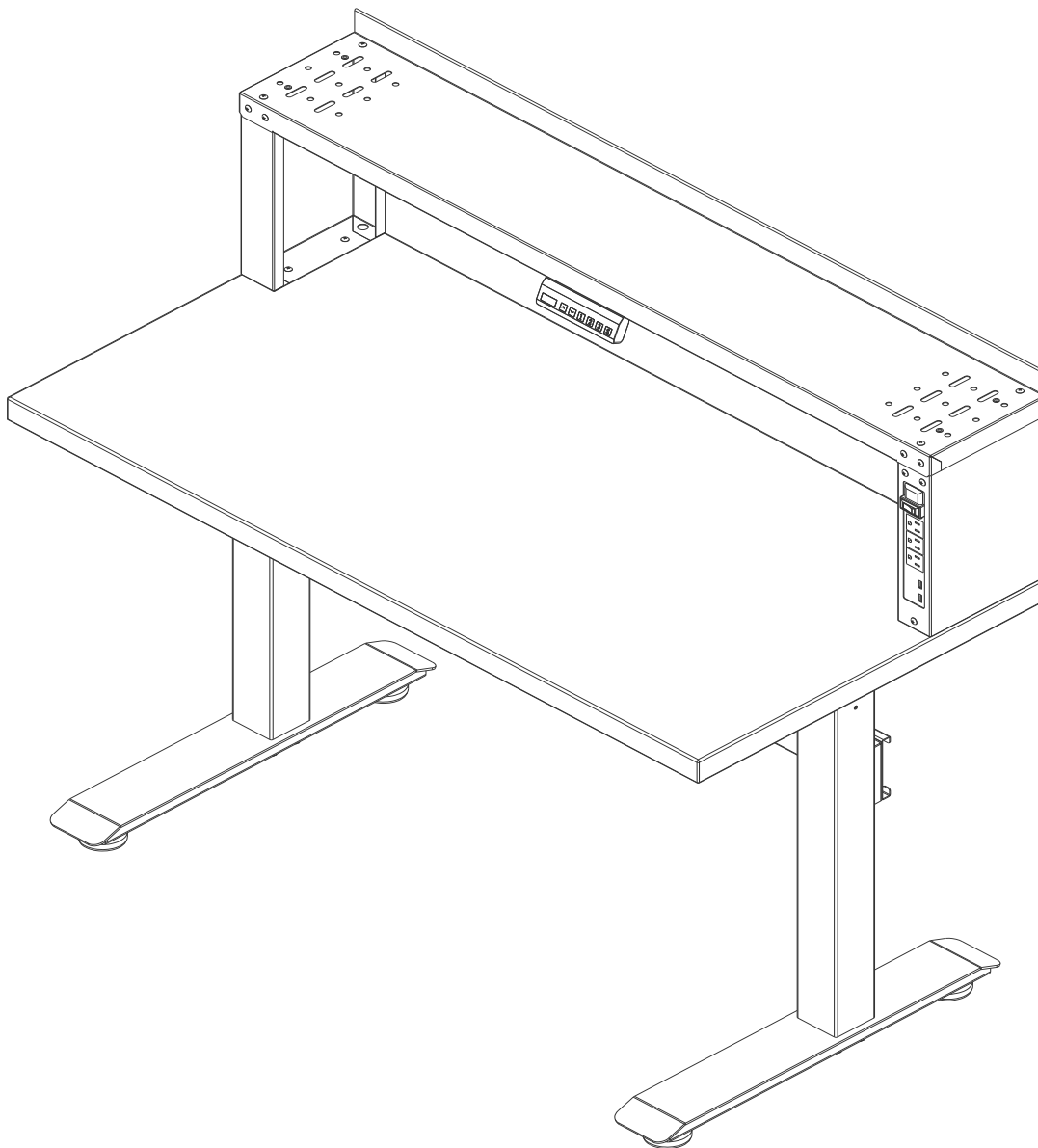


ASSEMBLY INSTRUCTIONS

UltraHD 20200 Dual Motor Electric Height Adjustable Workbench

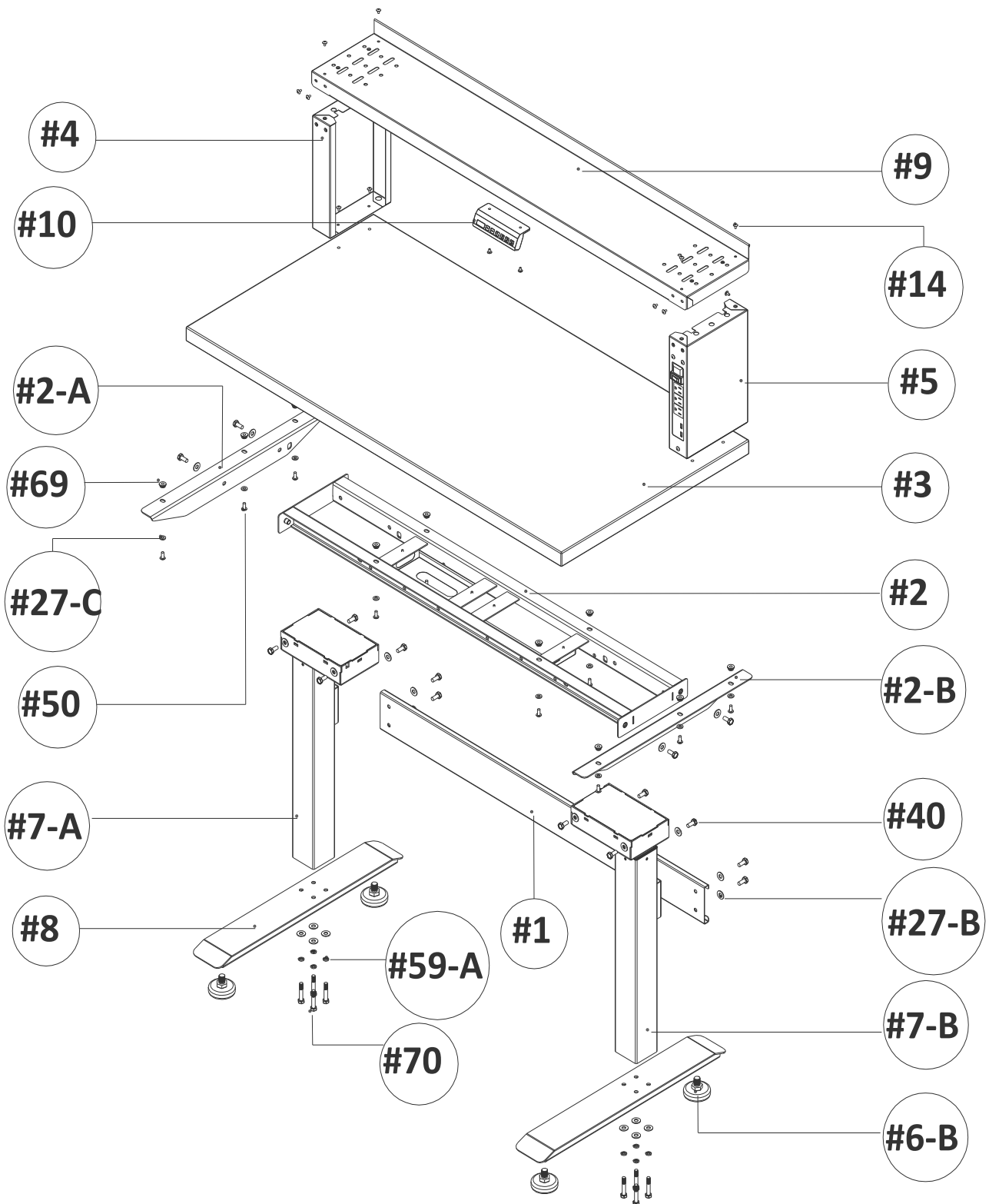
48" W x 24" D x 28" - 42" H (1.21m x 0.61 m x 0.71 - 1.06 m)

WARNING: Workbench Maximum Loading Capacity is 264 lbs. / 120 kgs.



**USER MANUAL
KEEP FOR FUTURE REFERENCE.**





Get help with assembly and report damaged or missing parts.

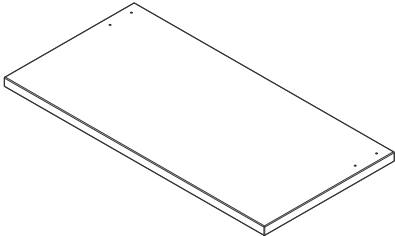
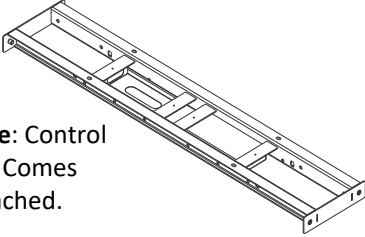
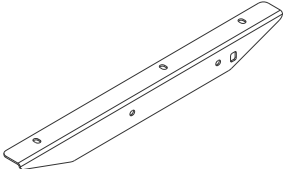
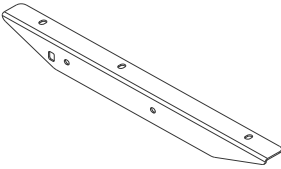
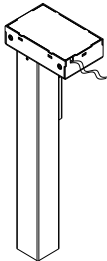
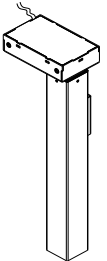
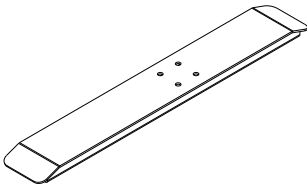
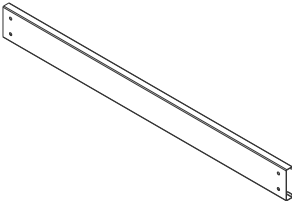
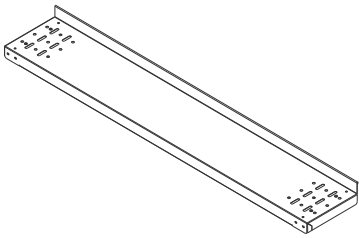
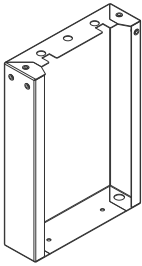
Email: Support@SevilleClassics.com

Telephone: 1 (800) 323-5565

Hours (M-F): 8:30 AM - 4:30 PM (PST)

PARTS LIST

Please check the parts carefully according to the parts list. If you are missing any parts, please contact our customer service department.

	 <p>Note: Control Box Comes Attached.</p>
<p>(#3) Solid Wood Top x 1 PC</p>	<p>(#2) Support Beam x 1 PC</p>
	
<p>(#2-A) Left Support Bracket x 1 PC</p>	<p>(#2-B) Right Support Bracket x 1 PC</p>
	
<p>(#7-A) Left Leg x 1 PC</p>	<p>(#7-B) Right Leg x 1 PC</p>
	
<p>(#8) Feet x 2 PCS</p>	<p>(#1) Bottom Connection Bar x 1 PC</p>
	
<p>(#9) Tool Rack Shelf - Top Panel x 1 PC</p>	<p>(#4) Tool Rack Shelf - Left Side Panel x 1 PC</p>



Get help with assembly and report damaged or missing parts.

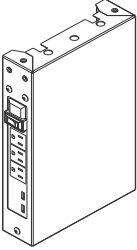
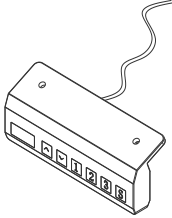
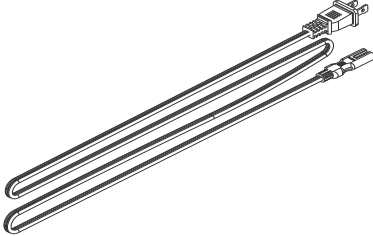
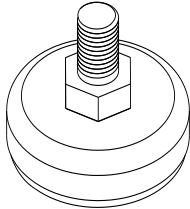
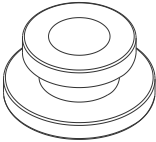
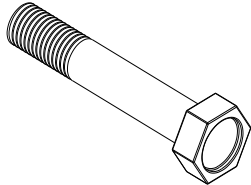
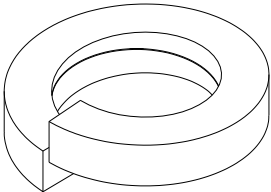
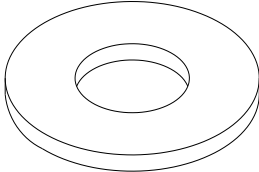
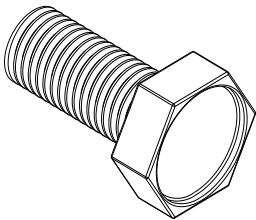
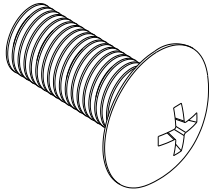
Email: Support@SevilleClassics.com

Telephone: 1 (800) 323-5565

Hours (M-F): 8:30 AM - 4:30 PM (PST)

PARTS LIST

Please check the parts carefully according to the parts list. If you are missing any parts, please contact our customer service department.

 <p>Note: Power Strip with 3 AC Outlets & 2 USB Ports Attached.</p>	
<p>(#5) Tool Rack Shelf - Right Side Panel x 1 PC</p>	<p>(#10) Controller x 1 PC</p>
	
<p>(#11) Power Cord x 1 PC</p>	<p>(#6-B) Leveling feet x 4 PCS</p>
	
<p>(#69) Rubber Buffer x 10 PCS</p>	<p>(#70) Hex Bolt (M8 x 45L) x 8 PCS</p>
	
<p>(#59-A) M8 Lock Washer x 8 PCS</p>	<p>(#27-B) M8 Flat Washer x 24 PCS</p>
	
<p>(#40) Hex Bolt (M8 x 18L) x 16 PCS</p>	<p>(#50) Screw (M6 x 15L) x 10 PCS</p>



Get help with assembly and report damaged or missing parts.

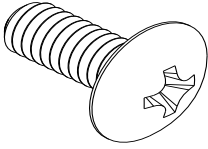
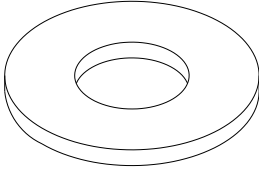
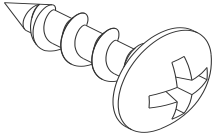
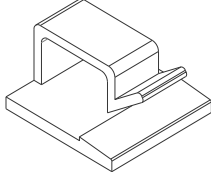
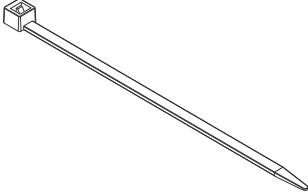
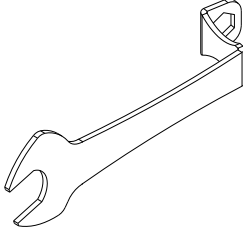
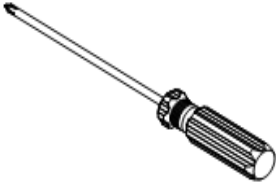
Email: Support@SevilleClassics.com

Telephone: 1 (800) 323-5565

Hours (M-F): 8:30 AM - 4:30 PM (PST)

PARTS LIST

Please check the parts carefully according to the parts list. If you are missing any parts, please contact our customer service department.

	
<p>(#14) Screw (M4x10L) x 16 PCS</p>	<p>(#27-C) M6 Flat Washer x 10 PCS</p>
	
<p>(#71) Wood Screw (M4x15L) x 2 PCS</p>	<p>(#72) Cable Clip x 2 PCS</p>
	
<p>(#73) Cable Tie x 3 PCS</p>	<p>(#25) Wrench x 1 PC</p>
	
<p>(#21) Screw Driver x 1 PC</p>	



Get help with assembly and report damaged or missing parts.

Email: Support@SevilleClassics.com

Telephone: 1 (800) 323-5565

Hours (M-F): 8:30 AM - 4:30 PM (PST)

UltraHD® Dual Motor Electric Height Adjustable Workbench (Model No. 20200)

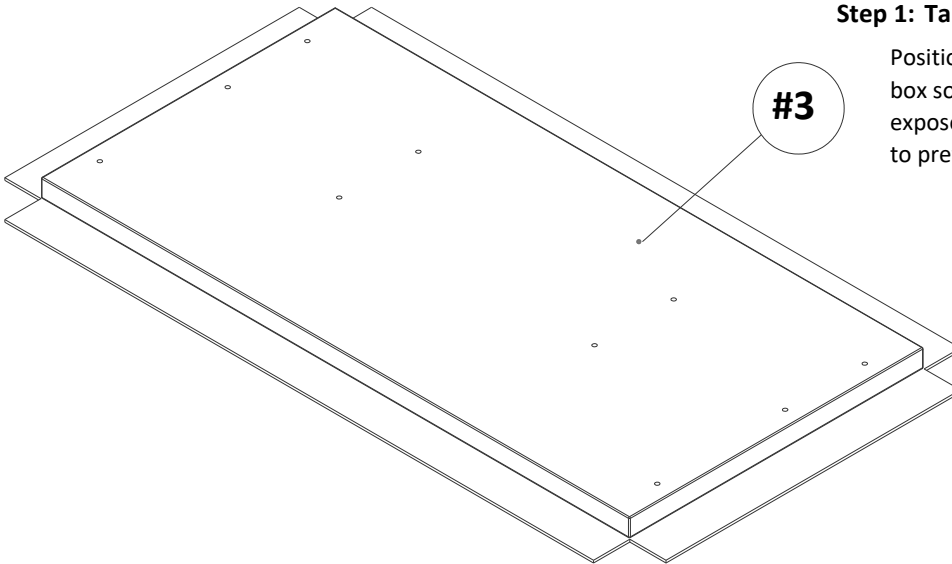


*NOTE: We recommend using TWO people to assemble the workbench.



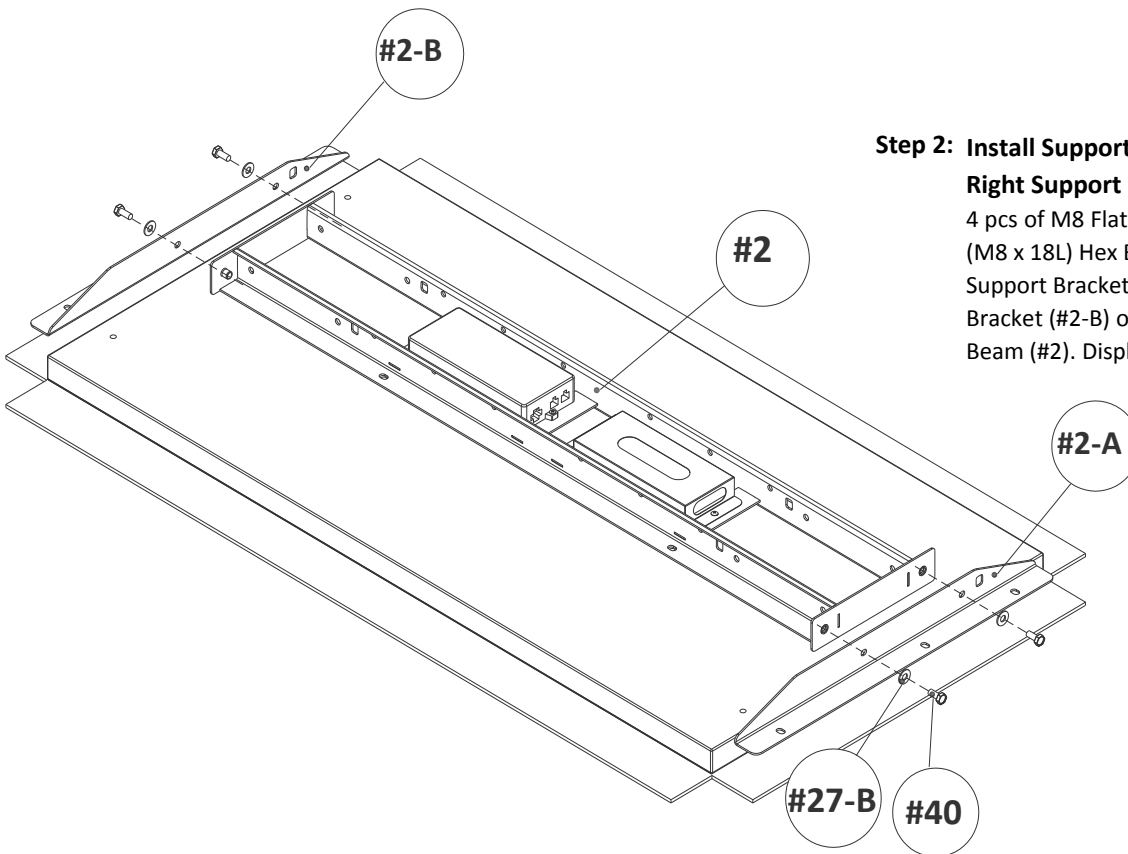
Step 1: Take Solid Wood Top (#3) from the box.

Position the Solid Wood Top (#3) within the box so that the holes for the screws become exposed, keep the top of the wood in the box to prevent scratching during the setup process.



Step 2: Install Support Beam (#2) and Left and Right Support Brackets (#2-A & #2-B).

Use 4 pcs of M8 Flat Washers (#27-B) and 4 pcs of (M8 x 18L) Hex Bolts (#40) to tighten Left Support Bracket (#2-A) and Right Support Bracket (#2-B) on each side of the Support Beam (#2). Displayed in the image on the left.



Get help with assembly and report damaged or missing parts.

Email: Support@SevilleClassics.com

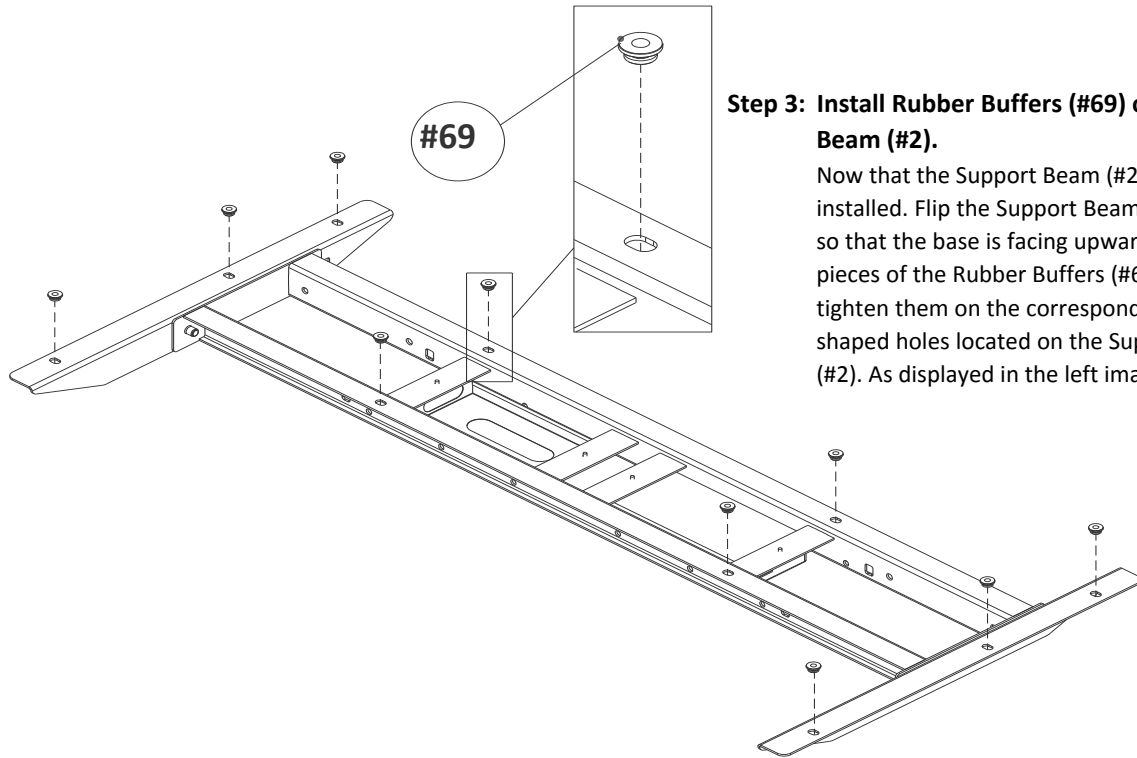
Telephone: 1 (800) 323-5565

Hours (M-F): 8:30 AM - 4:30 PM (PST)

UltraHD® Dual Motor Electric Height Adjustable Workbench (Model No. 20200)

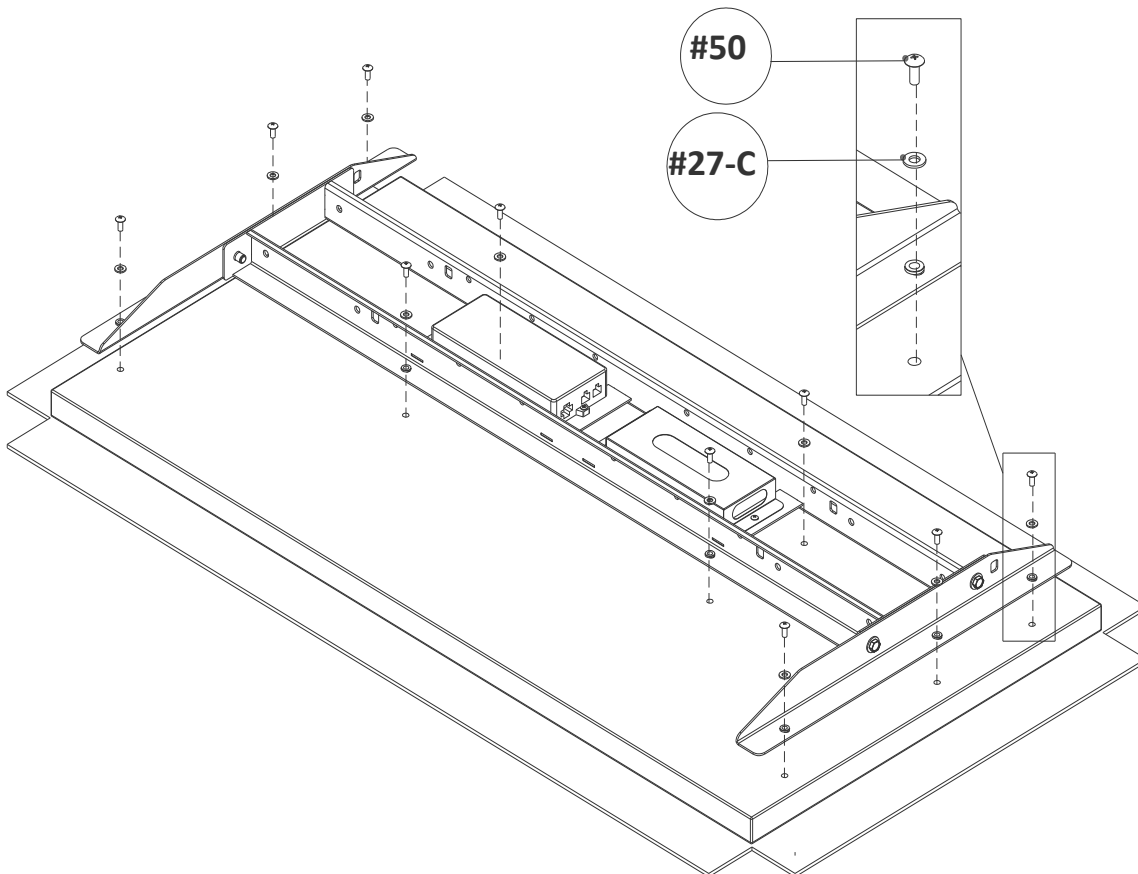


*NOTE: We recommend using TWO people to assemble the workbench.



Step 3: Install Rubber Buffers (#69) on Support Beam (#2).

Now that the Support Beam (#2) has been installed. Flip the Support Beam (#2) around so that the base is facing upward and take 10 pieces of the Rubber Buffers (#69), simply tighten them on the corresponding oval-shaped holes located on the Support Beam (#2). As displayed in the left image.



Step 4: Install Support Beam (#2) on the Solid Wood Top (#3).

Place the Support Beam (#2) on Solid Wood Top (#3), and align the screw holes on the Solid Wood Top (#3) to the corresponding holes on the Support Beam (#2). Use 10 pieces of M6 Flat Washers (#27-C) and 10 pieces of M6 x 15L Screw (#50) to install Support Beam (#2) on the Solid Wood Top (#3).



Get help with assembly and report damaged or missing parts.

Email: Support@SevilleClassics.com

Telephone: 1 (800) 323-5565

Hours (M-F): 8:30 AM - 4:30 PM (PST)

UltraHD® Dual Motor Electric Height Adjustable Workbench (Model No. 20200)



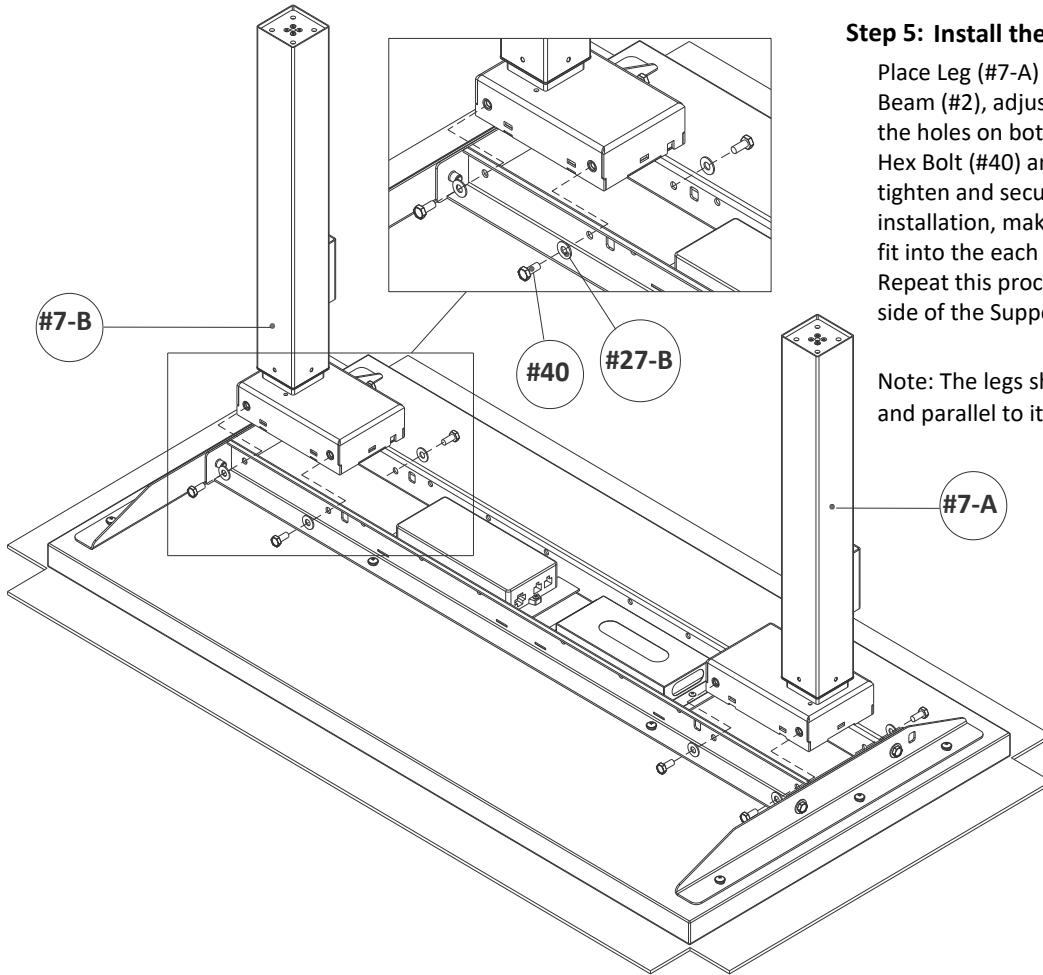
*NOTE: We recommend using TWO people to assemble the workbench.



Step 5: Install the legs (#7-A & #7-B).

Place Leg (#7-A) on the left hand side of the Support Beam (#2), adjust the position of the leg, ensuring that the holes on both the beam and leg line up. Use 4 pcs of Hex Bolt (#40) and 4 pcs of Flat Washer (#27-B) to tighten and secure the leg in place. During the installation, make sure that all 4 pcs of Hex Bolt (#40) can fit into the each hole first, then proceed to tighten them. Repeat this process to install leg (#7-B) on the right hand side of the Support Beam (#2).

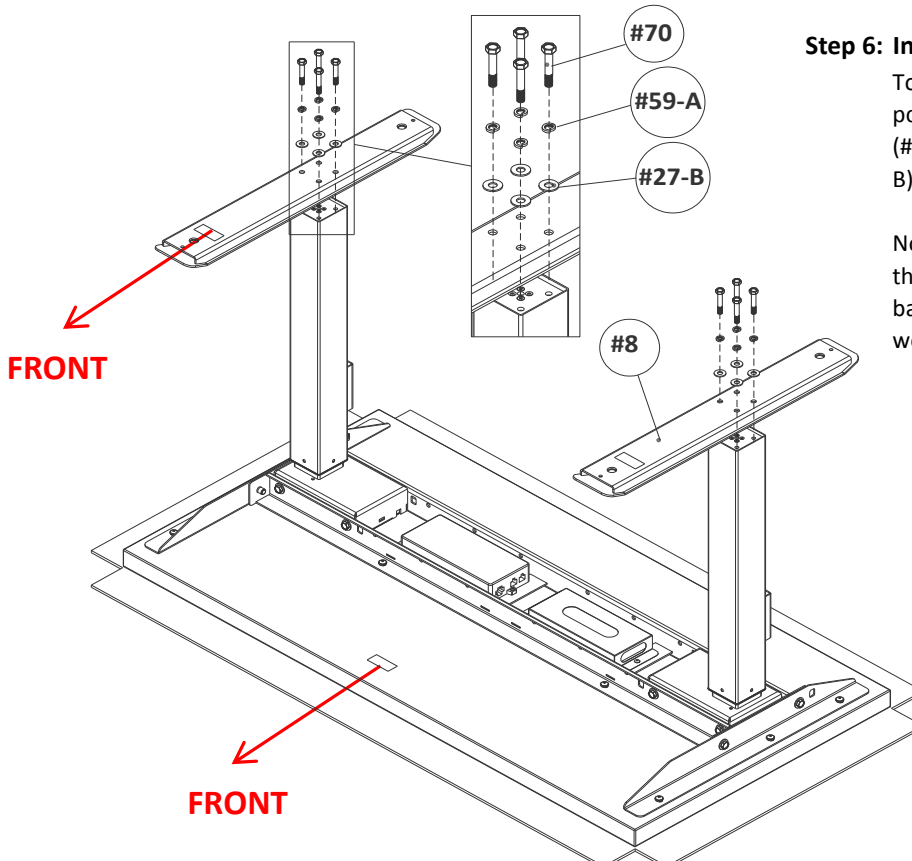
Note: The legs should be perpendicular to wood top and parallel to its counterpart.



Step 6: Install the Feet (#8)

To install the Feet (#8), use 8 pcs of Hex Bolt (#70), 8 pcs of Lock Washers (#59-A) and 8 pcs of Flat Washers (#27-B) to secure the Feet (#8) on the Legs (#7-A & #7-B) as displayed in the image to the left.

Note: Please refer to the label on both feet to identify the front side of the feet. and refer to the label on the base of the wood top to identify the front side of the workbench.



Get help with assembly and report damaged or missing parts.

Email: Support@SevilleClassics.com

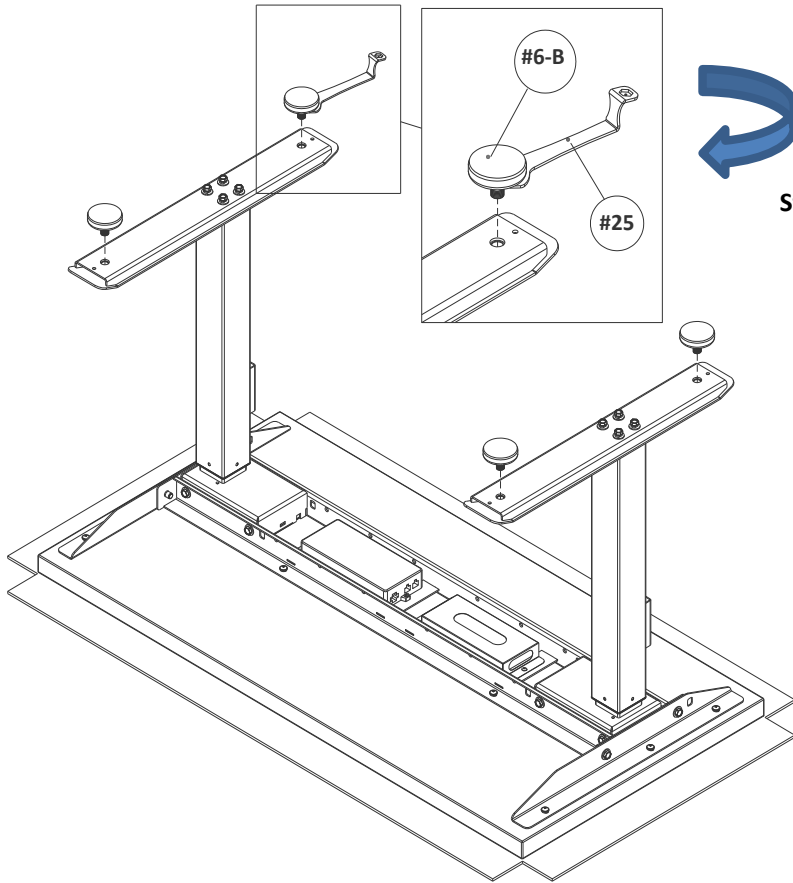
Telephone: 1 (800) 323-5565

Hours (M-F): 8:30 AM - 4:30 PM (PST)

UltraHD® Dual Motor Electric Height Adjustable Workbench (Model No. 20200)



*NOTE: We recommend using TWO people to assemble the workbench.

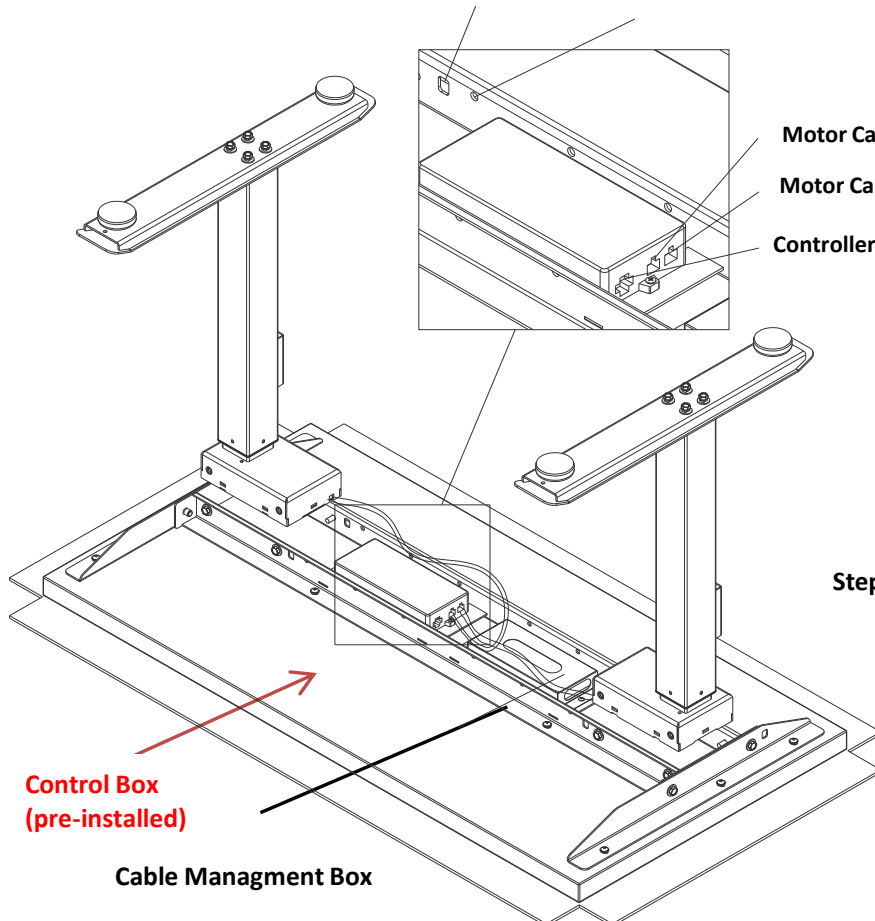


Step 7: Install the Leveling Feet (#6-B).

Take 4pcs of Leveling Feet (#6-B) and place 2 on each corresponding location on the Feet (#8.) Now use Wrench (#25) to fasten them in place, turning in a clockwise motion.

Controller Cable Port 1

Cable Tie Hole



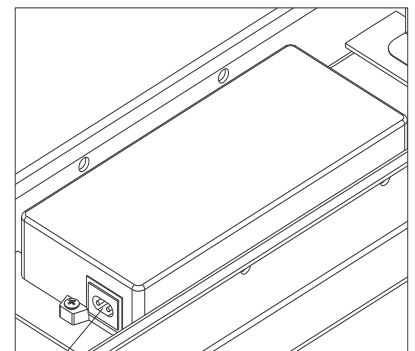
Control Box
(pre-installed)

Cable Management Box

Motor Cable Port 1

Motor Cable Port 2

Controller Cable Port 2



Power Cord Cable Port

Step 8: Depicted in the left image is the wiring diagram of the legs and motor.

Note: You may adjust the length of cables or organize them with using the cable management box. All the holes on the Support Beam (#2) with the exception of the screw holes are available for you to organize the wires with the included Cable Tie (#73). You may also use the Cable Clip (#72) to secure and direct the cables.



Get help with assembly and report damaged or missing parts.

Email: Support@SevilleClassics.com

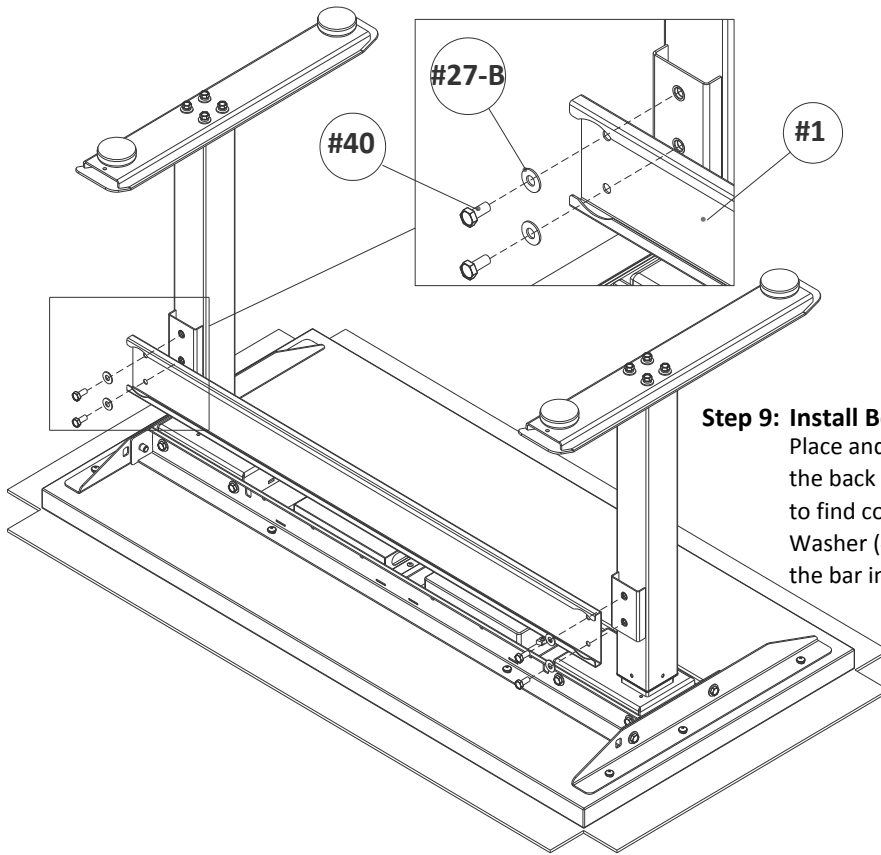
Telephone: 1 (800) 323-5565

Hours (M-F): 8:30 AM - 4:30 PM (PST)

UltraHD® Dual Motor Electric Height Adjustable Workbench (Model No. 20200)

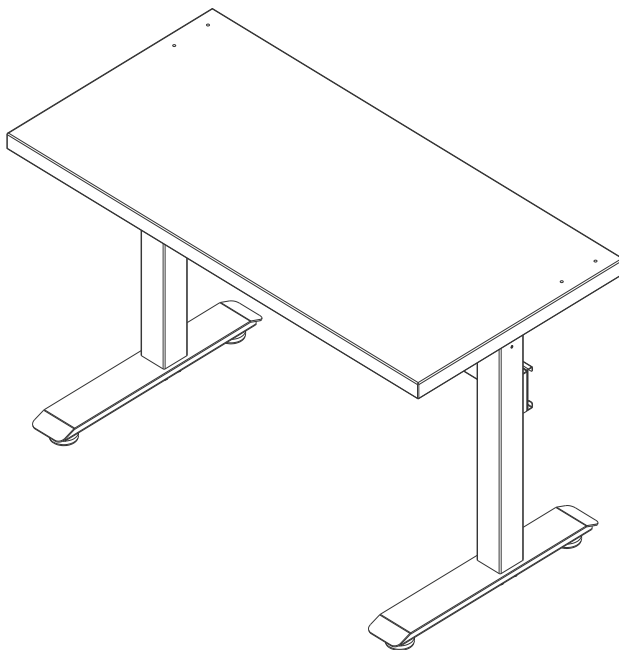


*NOTE: We recommend using TWO people to assemble the workbench.



Step 9: Install Bottom Connection Bar (#1)

Place and align the Bottom Connection Bar (#1) on the back side of the legs (please see the left image to find corresponding location), use 4pcs Flat Washer (#27-B) and 4pcs Hex Bolt (#40) to secure the bar in place.



Turn the workbench over, we recommend 2 people for this.



Get help with assembly and report damaged or missing parts.

Email: Support@SevilleClassics.com

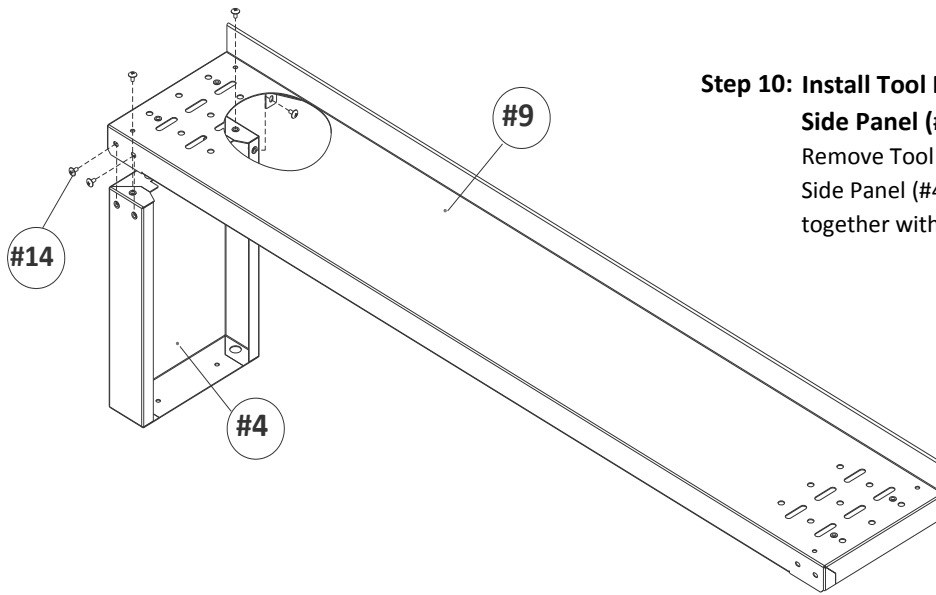
Telephone: 1 (800) 323-5565

Hours (M-F): 8:30 AM - 4:30 PM (PST)

UltraHD® Dual Motor Electric Height Adjustable Workbench (Model No. 20200)

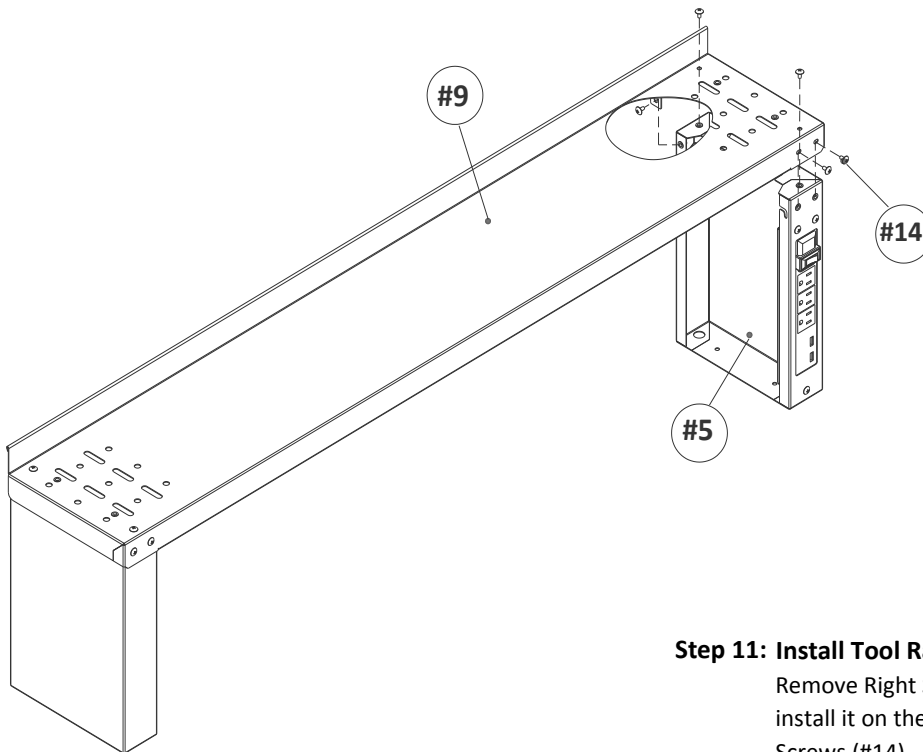


*NOTE: We recommend using TWO people to assemble the workbench.



Step 10: Install Tool Rack Shelf Top Panel (#9) and Left Side Panel (#4).

Remove Tool Rack Shelf Top Panel (#9) and its Left Side Panel (#4) from the box, and tighten them together with 5pcs of M4 x 10L Screws (#14).



Step 11: Install Tool Rack Shelf Right Side Panel (#5).

Remove Right Side Panel (#5) from the box, and install it on the tool rack with 5 pcs of M4 x 10L Screws (#14).



Get help with assembly and report damaged or missing parts.

Email: Support@SevilleClassics.com

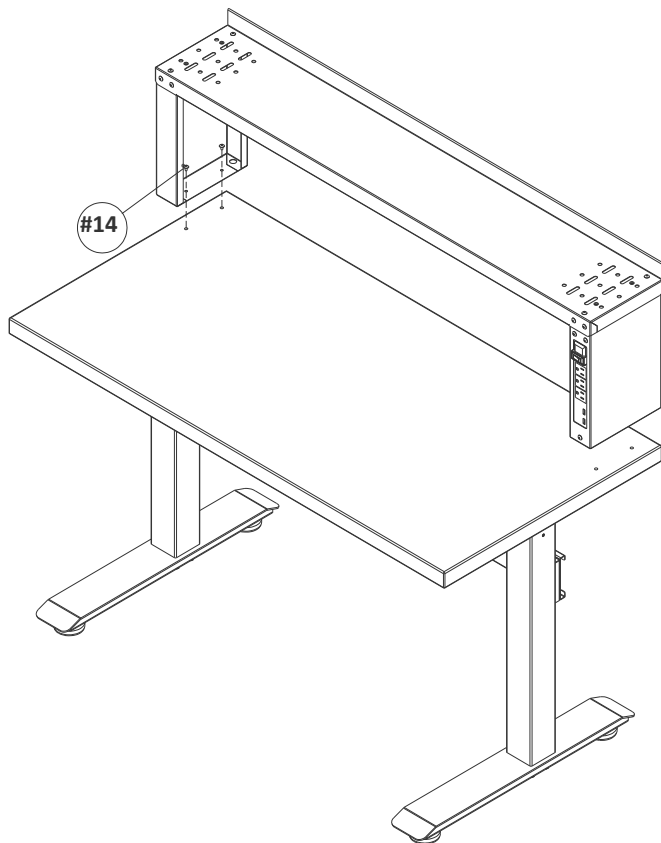
Telephone: 1 (800) 323-5565

Hours (M-F): 8:30 AM - 4:30 PM (PST)

UltraHD® Dual Motor Electric Height Adjustable Workbench (Model No. 20200)

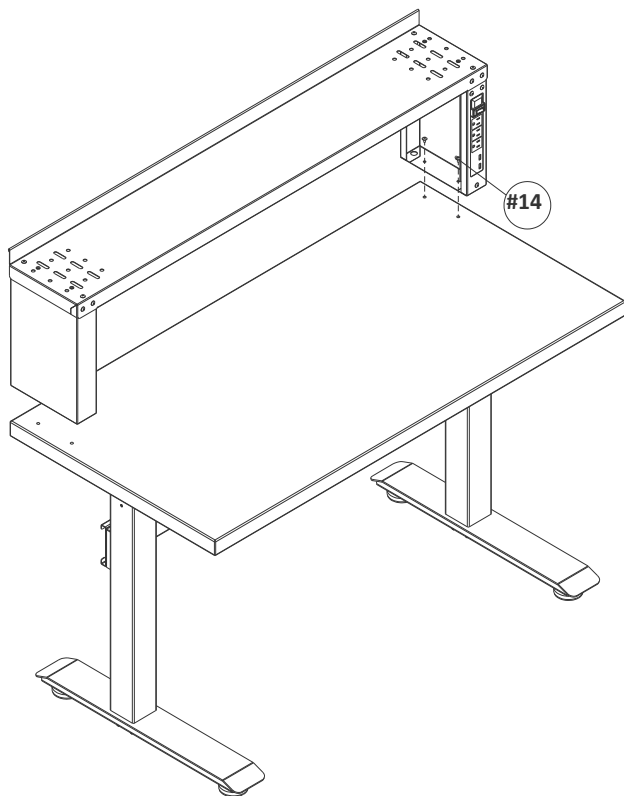


*NOTE: We recommend using TWO people to assemble the workbench.



Step 12: Install the Tool Rack Shelf on the workbench.

Place the completed Tool Rack Shelf on the workbench as shown on the left, and align the holes on the Solid Wood Top (#3) to the holes on the base of the Tool Rack Shelf Left and Right Side Panels (#4 & #5) install it using 4pcs of M4 x 10L Screws (#14).



Get help with assembly and report damaged or missing parts.

Email: Support@SevilleClassics.com

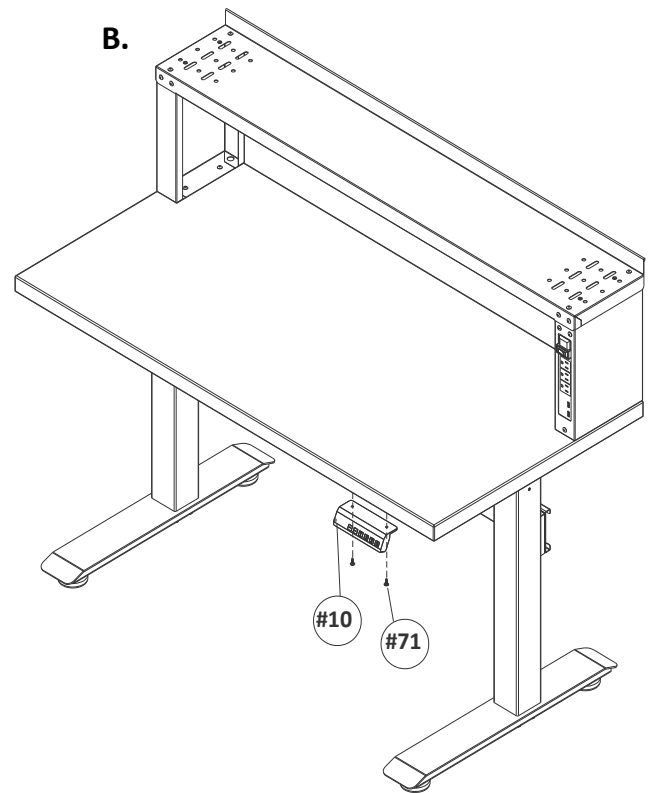
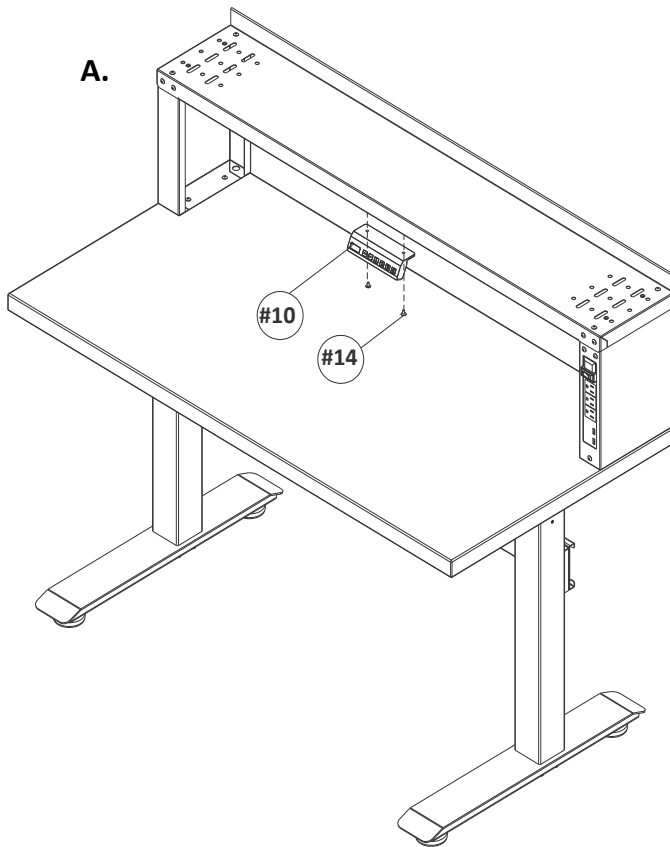
Telephone: 1 (800) 323-5565

Hours (M-F): 8:30 AM - 4:30 PM (PST)

UltraHD® Dual Motor Electric Height Adjustable Workbench (Model No. 20200)



*NOTE: We recommend using TWO people to assemble the workbench.



Step 13: Install Power Cord (#11) and Controller (#10).

Please refer to *STEP 8* for installing Power Cord (#11) and Insert the Power Cord (#11) on to the control box (pre-installed).

There are two ways to install the Controller (#10):
A. Install it on the top panel of the Tool Rack Shelf, place the Controller (#10) in the middle of the top panel and install it by 2 pcs of M4 x 10L Screws (#14).

B. Install the Controller (#10) under the Wood Board (#3) by 2pcs of M4 x 15L Wood Screws (#71). Now insert the cable of the control box (pre-installed) into the Controller (#10).

Note: In order to operate the Workbench, you must first initiate a "Reset" using the Controller (refer to Post Setup Quick Start Instructions or page 14).



Get help with assembly and report damaged or missing parts.

Email: Support@SevilleClassics.com

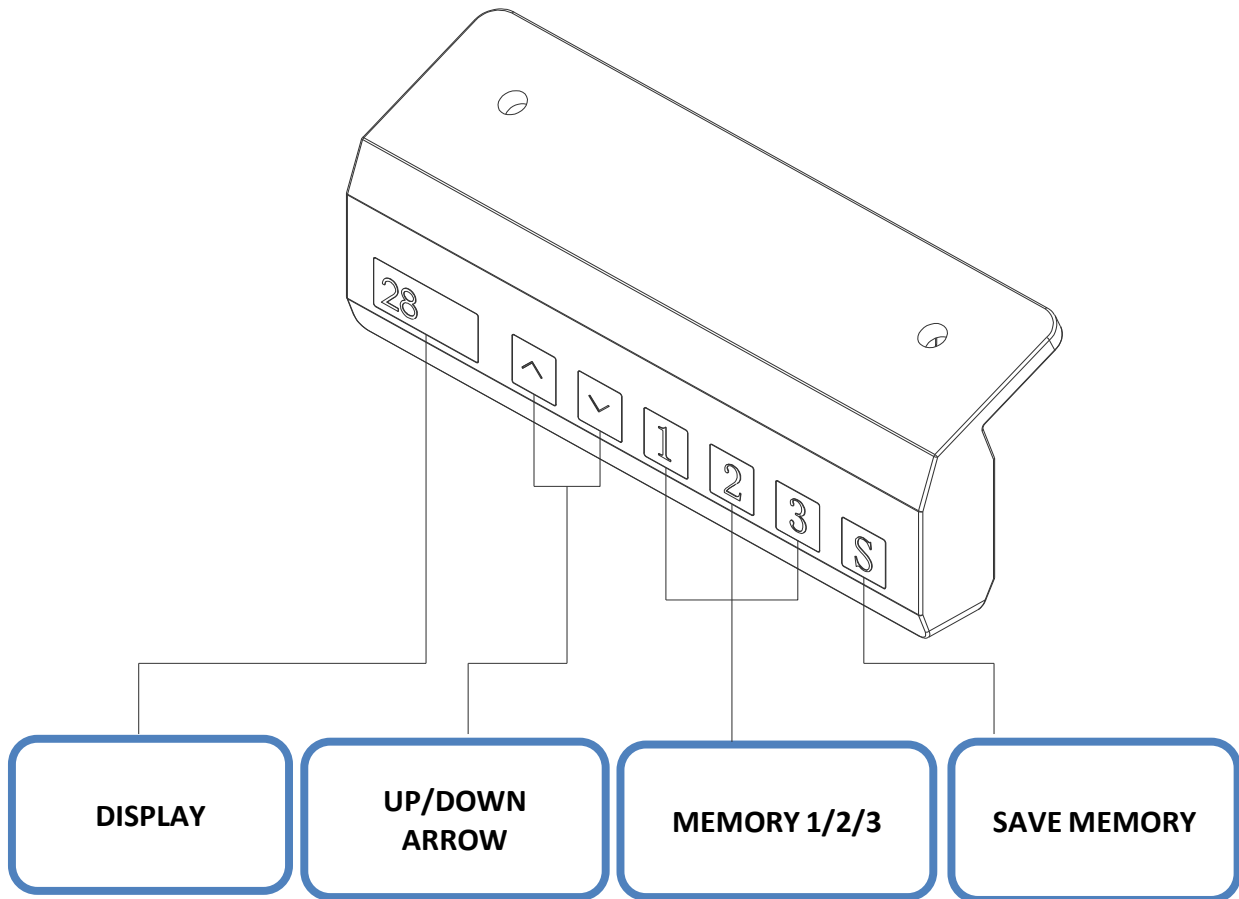
Telephone: 1 (800) 323-5565

Hours (M-F): 8:30 AM - 4:30 PM (PST)

UltraHD® Dual Motor Electric Height Adjustable Workbench (Model No. 20200)



*NOTE: We recommend using TWO people to assemble the workbench.



Power ON the workbench:

When the workbench is plugged in, you will hear a "Beep" sound. The Controller will then show the current height of the workbench. The number indicated on the display may be different to the actual height, it will need to be reset.



Get help with assembly and report damaged or missing parts.

Email: Support@SevilleClassics.com

Telephone: 1 (800) 323-5565

Hours (M-F): 8:30 AM - 4:30 PM (PST)

UltraHD® Dual Motor Electric Height Adjustable Workbench (Model No. 20200)



*NOTE: We recommend using TWO people to assemble the workbench.



UltraHD® Wood Top Care

Our solid wood tops are made with real wood, and while great care is taken to ensure consistent top color and graining, there may be natural variations between finished products. We hand select the wood for every workspace top to ensure the material is undamaged and naturally beautiful. If the wood top is received with excessive damage or splitting, please contact Seville Customer Service for warranty assistance. Variations of color, and minor scratches in the clear coat finish will not be reason for replacement.


Restore Shallow Scratches or Chips

The wood surface of this product is finished with a polyurethane coat. If the wood top becomes chipped or scratched, additional clear polyurethane coats can be reapplied to restore a smooth texture and protect from future damage.



Please follow the manufacturer's instruction on the product for application.

Post Setup Quick Start Instructions

How to Reset

Press and HOLD the  button until the workbench reaches it reaches the lowest height. Continue to press and HOLD for about 5 seconds until you see a number (ie. 29.6) on the display AFTER it shows "rst" and makes the "beep-beep" sound.





How to Adjust the Height

Press and HOLD either the  or  to adjust to your desired height of the workbench.

How to Save the Height in Memory

There are 3 available memory heights you can save - 1, 2 & 3. Adjust the workbench to your desired height and press the "S" button to display "S-". Then press any of one the 1, 2 or 3 number button. When a memory is saved, you will hear "beep-beep" sound. By repeating the same steps, you can save or override an old saved memory with a new height.

How to Lock/Unlock the Controller

First adjust the workbench height to your desired lock height. Then press and HOLD the  and  buttons together for about 5 seconds until "Loc" is displayed. At this moment, the Controller is locked and the workbench height can't be adjusted. In order to unlock, press and HOLD the  and  buttons together for about 5 seconds until a number (previously locked height) is displayed.



Get help with assembly and report damaged or missing parts.

Email: Support@SevilleClassics.com

Telephone: 1 (800) 323-5565

Hours (M-F): 8:30 AM - 4:30 PM (PST)

UltraHD® Dual Motor Electric Height Adjustable Workbench (Model No. 20200)



*NOTE: We recommend using TWO people to assemble the workbench.



Error Code List		
Code	Meaning	Action
SC0	Self-Check Fail - Standby Mode Error	Re-plug the power supply. If the alert does not clear, please contact Customer Service.
SC1	Self-Check Fail - Main Power Error	Re-plug the power supply. If the alert does not clear, please contact Customer Service.
SC2	Self-Check Fail - Save Memory Error	Re-plug the power supply. If the alert does not clear, please contact Customer Service.
SC3	Self-Check Fail - Sensor Error	Re-plug the power supply. If the alert does not clear, please contact Customer Service.
R-2	Table Tilt Alert	The desk will run in the opposite direction for 2 inches automatically, then the alert will clear.
R-3	Sync Failure	Reset the Controller by following the How to Reset instruction on page 14
HOT	Overheat Protection	Please let the motors cool down for 18 minutes.
R-5	Control system malfunction	Please check the connection between the Controller and the Control Box.
R-6	Voltage irregularity	Please contact Customer Service.
RST	Not reset completely	Reset the Controller by following the How to Reset instruction on page 14
EX0	Driver Short-Circuit	Re-plug the power supply. If the alert do not clear, please contact Customer Service.
EX1	Over-Load Protection	Remove some weight from the workbench, then the alert will clear after 20 seconds.
EX2	Motor Phase Failure	Please check the connection of the motor cables.
EX3	Moving Direction Error	Please contact Customer Service.
EX4	Anti-collision	The workbench will run in the opposite direction for 2 inches automatically, then the alert will clear.
EX5	Motor Stalling Alarm	Please contact Customer Service.
EX6	Motor cables not connected	Check the motor cable connections to the Control Box - refer to page 8.
EX7	Mechanical Malfunction	Please contact Customer Service.



Get help with assembly and report damaged or missing parts.

Email: Support@SevilleClassics.com

Telephone: 1 (800) 323-5565

Hours (M-F): 8:30 AM - 4:30 PM (PST)

CONTACT INFORMATION

If you are missing any parts, have any questions, or need additional assistance in assembly, please contact our bilingual (English and Spanish) customer service department at:



Seville Classics, Inc.

19401 Harborage Way Torrance, CA 90501 USA

Telephone: (800) 323-5565 within USA

Fax: (310) 533-3899

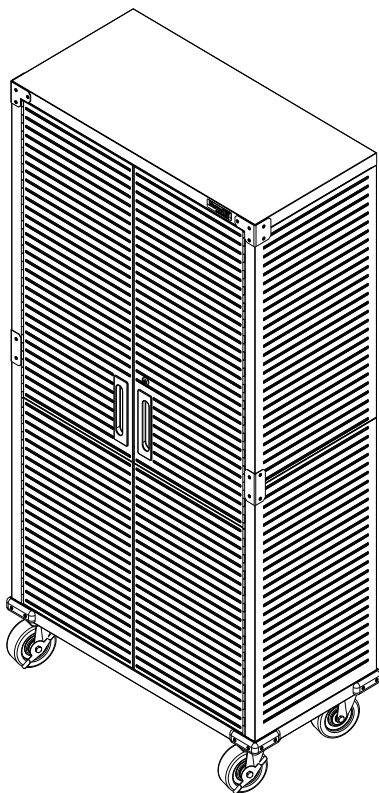
Hours (M-F): 9:00am - 4:30pm (Pacific Standard Time)

E-mail: support@sevilleclassics.com

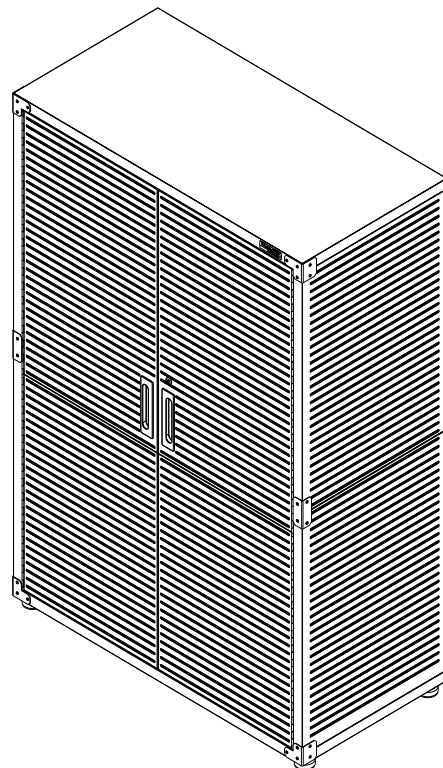
Website & Online Store: www.sevilleclassics.com

*****Please visit our website or call and inquire about our additional UltraHD Line*****

UltraHD® Line

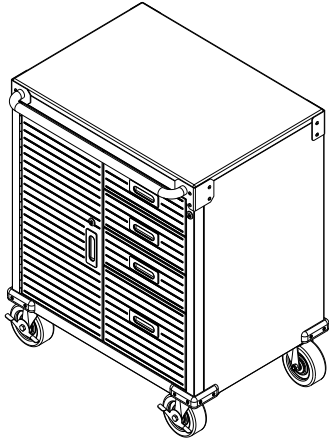


UltraHD® Tall Storage Cabinet
Model No. 16236 (Granite)
Model No. 20143 (Graphite)
Model No. 20153 (Red)
Model No. 20133 (White)

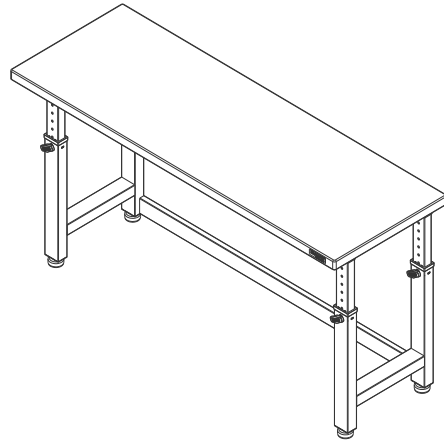


UltraHD® Mega Storage Cabinet
Model No. 16238 (Granite)
Model No. 20148 (Graphite)
Model No. 20158 (Red)

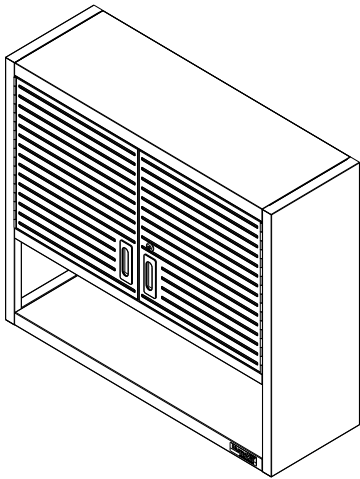
UltraHD® Line



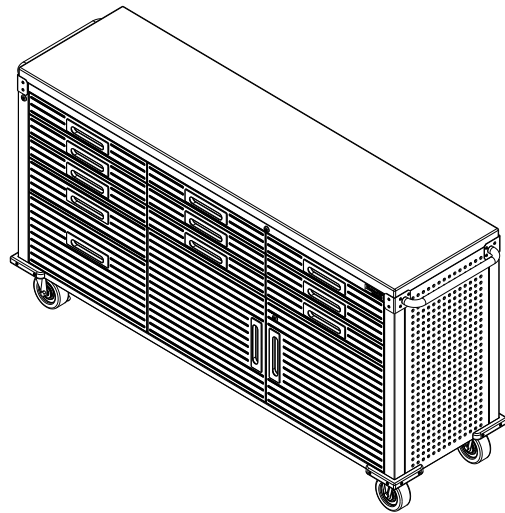
UltraHD® 4-Drawer Rolling Cabinet
Model No. 20205 (Granite)



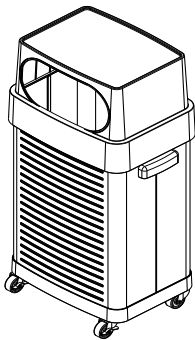
UltraHD® 6-Foot Height Adjustable Workbench
Model No. 20292 (Granite)
Model No. 20293 (Graphite)



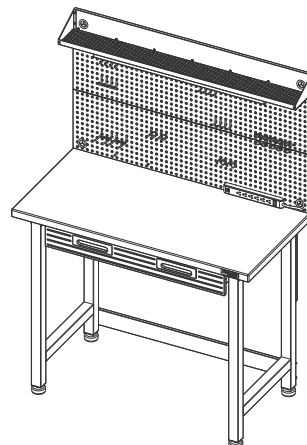
UltraHD® Wall Cabinet with Open Shelf
Model No. 20230 (Granite)
Model No. 20140 (Graphite)
Model No. 20150 (Red)



UltraHD® 2-Door Rolling Workbench
Model No. 20262 (Granite)
Model No. 20142 (Graphite)
Model No. 20152 (Red)



UltraHD® Rolling Trash Bin
Model No. 20215



UltraHD® Lighted Workcenter
Model No. 20247 (Granite)
Model No. 20246 (Graphite)
Model No. 20157 (Red)