



ASSEMBLY INSTRUCTIONS

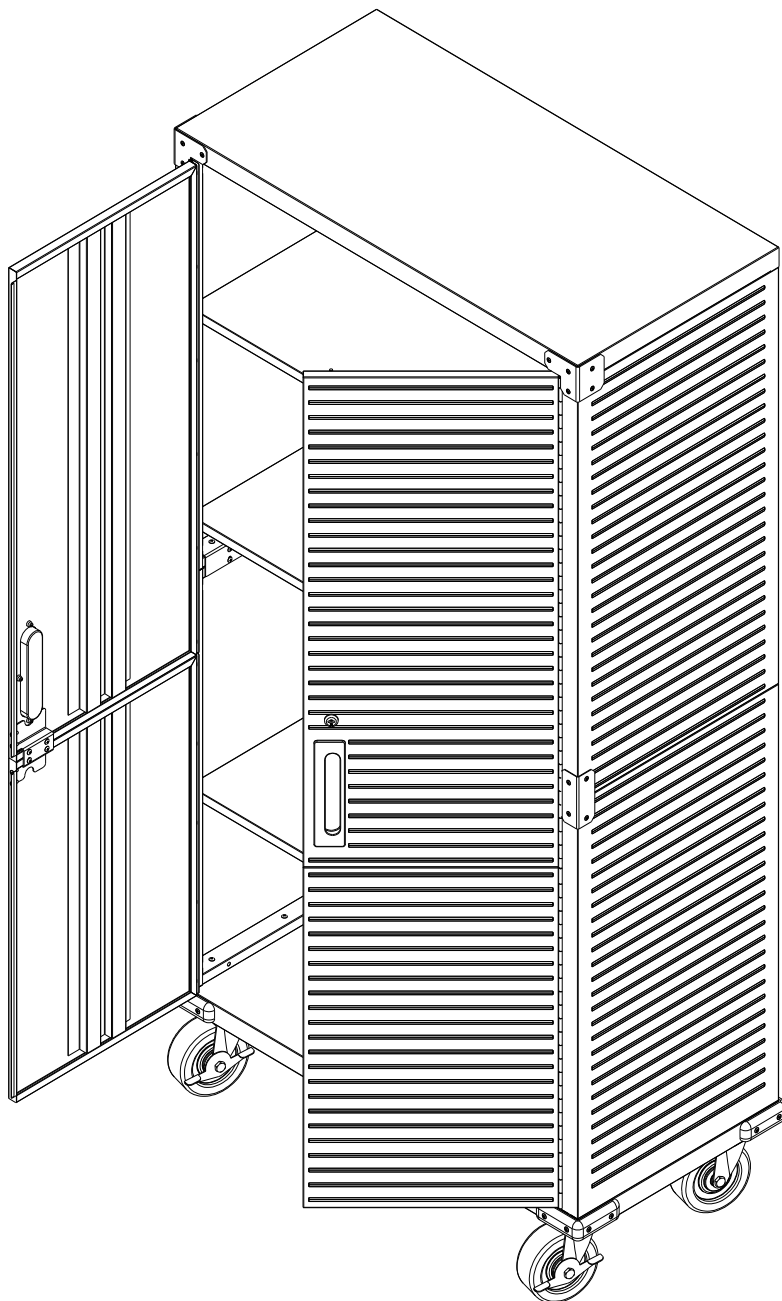
Storage Cabinet (Model No. 16236)

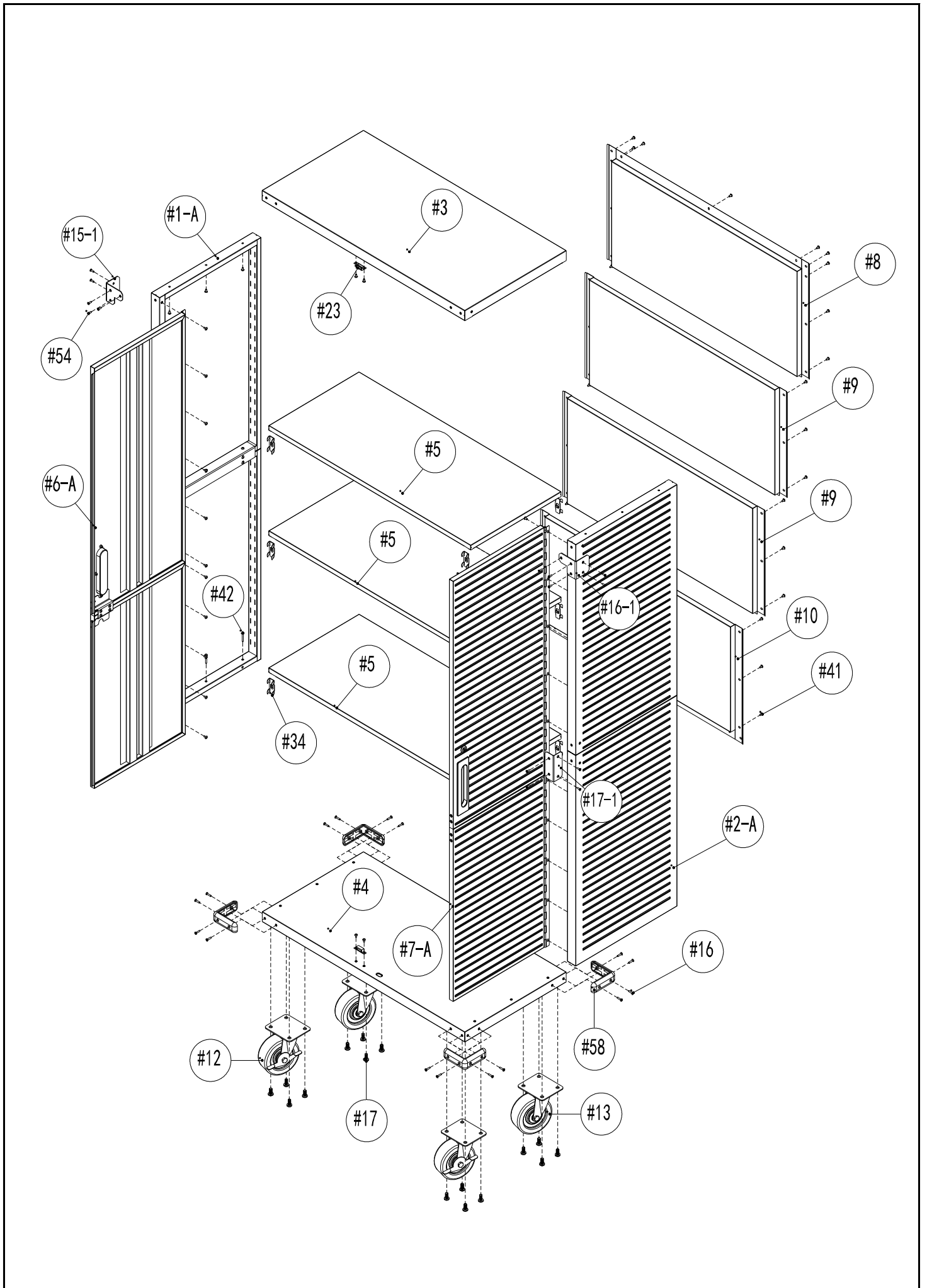
36in.W X 18in. D X 72in. H
(91.4cm x 45.7cm x 1.83m)

ULTRAGUARD®

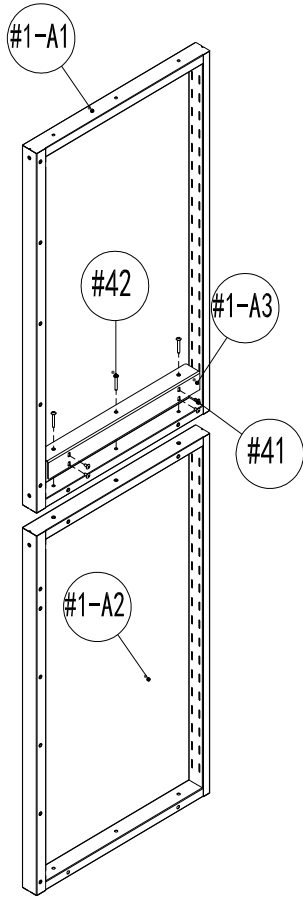
FINGERPRINT RESISTANT SURFACES
AND INCREASED DURABILITY

Reference page 11 for special care and
maintenance of stainless steel

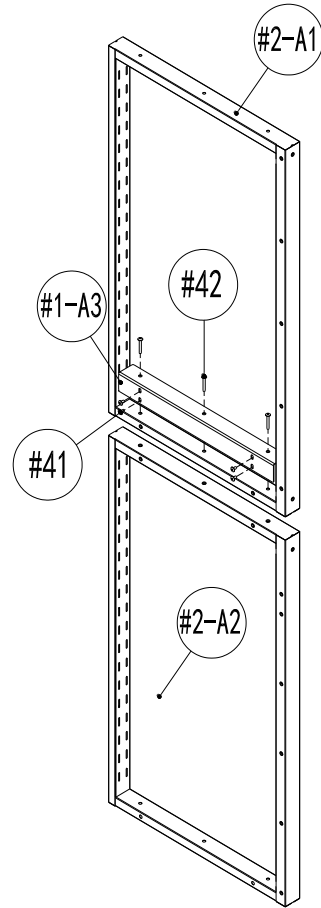




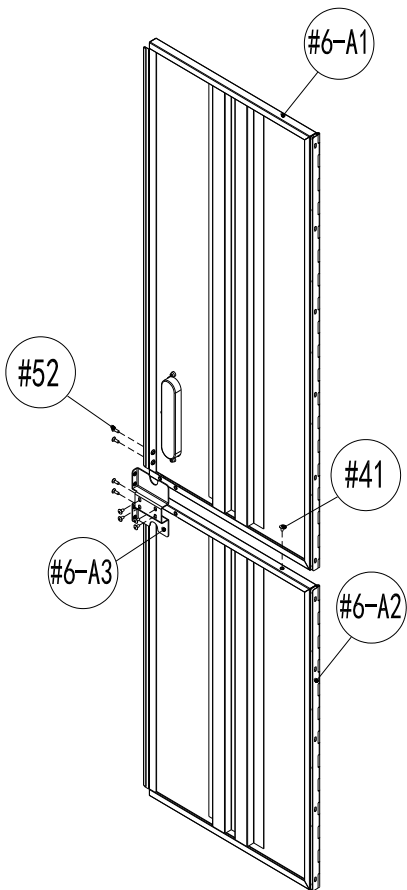
(#1-A) Left Side Panel



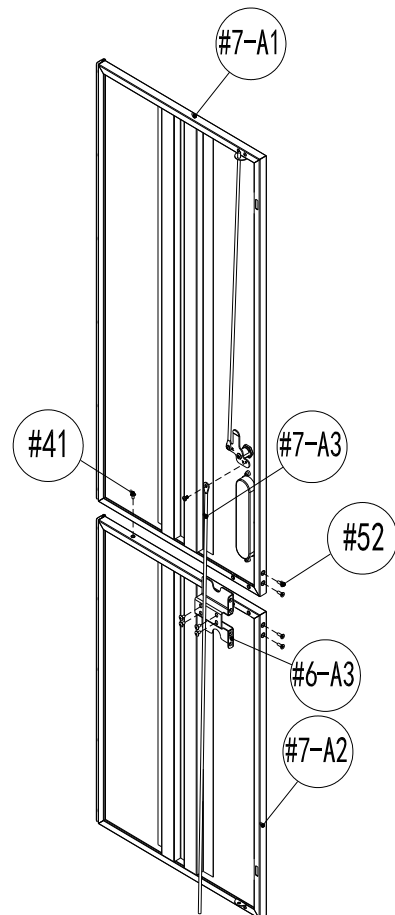
(#2-A) Right Side Panel



(#6-A) Left Door

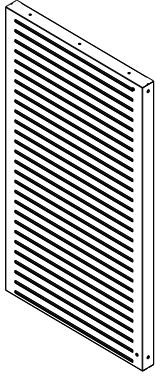


(#7-A) Right Door

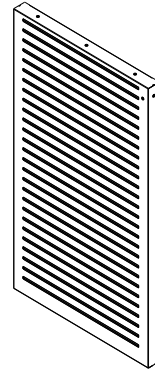


PARTS LIST (pg 3 of 12)

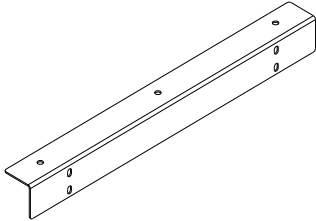
Please check the parts carefully according to the parts list. If you are missing any parts, please contact our customer service department. (please refer to page 12 of 12) .



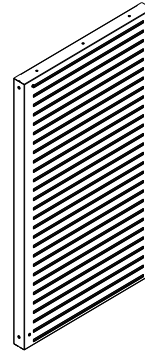
(#1-A1) Left Side - Upper Panel x 1 PC



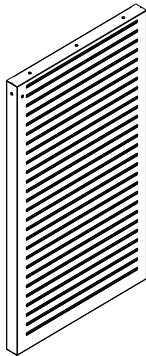
(#1-A2) Left Side - Bottom Panel x 1 PC



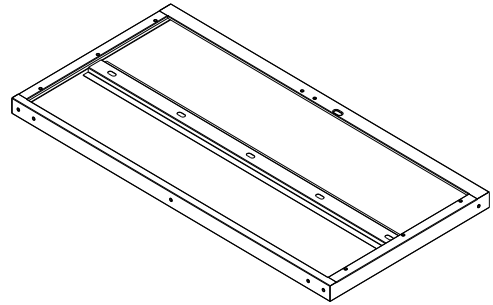
(#1-A3) Side Panel Reinforcement Connection Part x 2 PCS



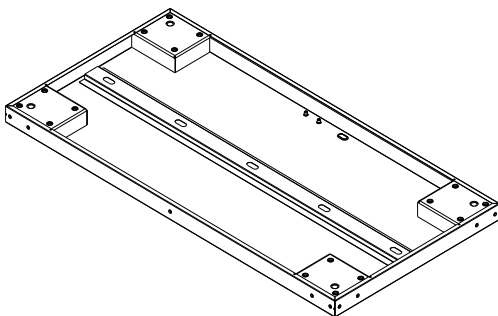
(#2-A1) Right Side - Upper Panel x 1 PC



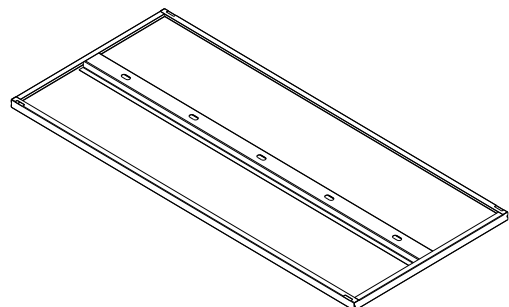
(#2-A2) Right Side - Bottom Panel x 1 PC



(#3) Top Panel x 1 PC



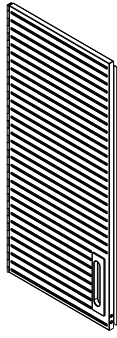
(#4) Bottom Panel x 1 PC



(#5) Middle Shelf x 3 PCS

PARTS LIST (pg 4 of 12)

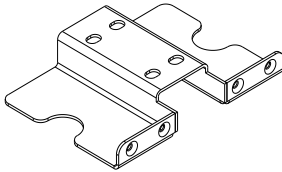
Please check the parts carefully according to the parts list. If you are missing any parts, please contact our customer service department. (please refer to page 12 of 12) .



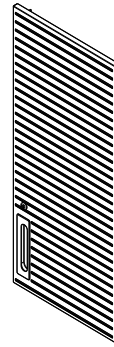
(#6-A1) Left Door - Upper Panel x 1 PC



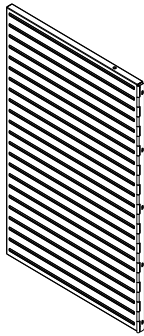
(#6-A2) Left Door - Bottom Panel x 1PC



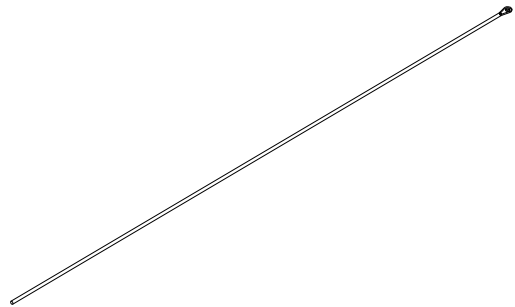
(#6-A3) Door Panel Connection Part x 2 PCS



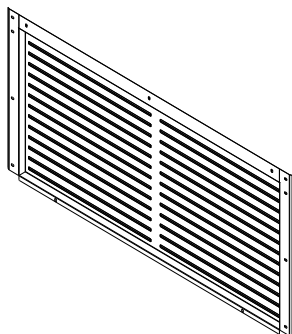
(#7-A1) Right Door - Upper Panel x 1 PC



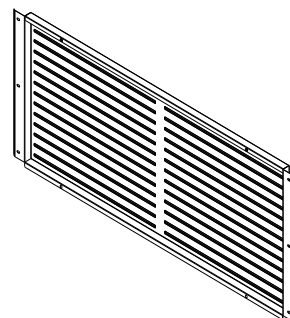
(#7-A2) Right Door - Bottom Panel x 1 PC



(#7-A3) Key Rod x 1 PC



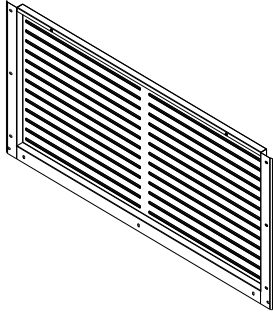
(#8) Upper Back Panel x 1 PC



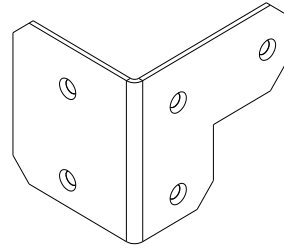
(#9) Middle Back Panel x 2 PCS

PARTS LIST (pg 5 of 12)

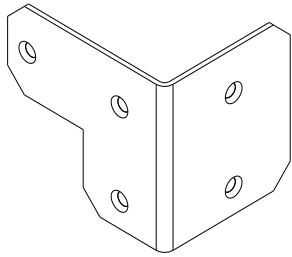
Please check the parts carefully according to the parts list. If you are missing any parts, please contact our customer service department. (please refer to page 12 of 12) .



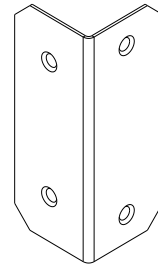
(#10) Bottom Back Panel x 1 PC



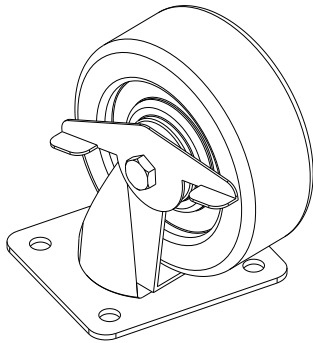
(#15-1) Corner Protection - A x 1 PC



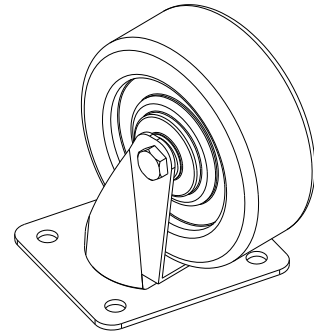
(#16-1) Corner Protection - B x 1 PC



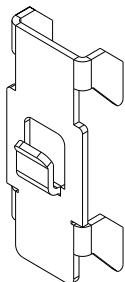
(#17-1) Middle Corner Protection x 2 PCS



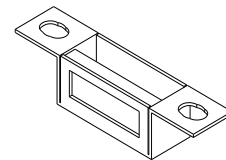
(#12) Wheel with Brake x 2 PCS



(#13) Wheel W/O Brake x 2 PCS



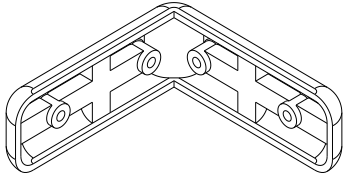
(#34) HOOK x 12 PCS



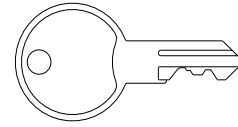
(#23) Magnet x 2 PCS

PARTS LIST (pg 6 of 12)

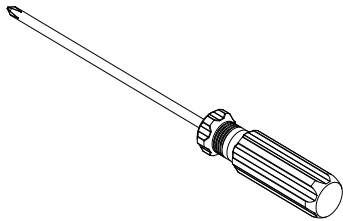
Please check the parts carefully according to the parts list. If you are missing any parts, please contact our customer service department. (please refer to page 12 of 12) .



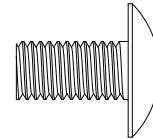
(#58) Bumper x 4 PCS



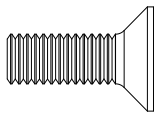
(#22) Key x 2 PCS



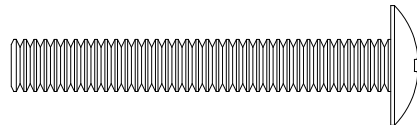
(#21) Screw Driver x 1 PC



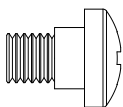
(#41) Screw F (M4 x 8L) x 86 PCS



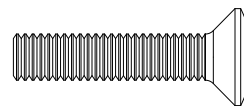
(#52) Screw K (M4 x 10L) x 8 PCS



(#42) Screw G (M4 x 30L) x 12 PCS



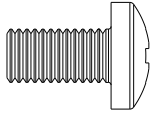
(#53) Screw L (M4 x 6L) x 1 PC



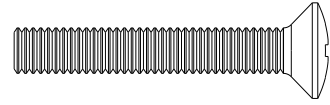
(#54) Screw N (M4 x 10L) x 18 PCS

PARTS LIST (pg 7 of 12)

Please check the parts carefully according to the parts list. If you are missing any parts, please contact our customer service department. (please refer to page 12 of 12) .



(#17) Screw D (M8x18L) x 16 PCS



(#16) Screw C (M4x18L) x 16 PCS

ASSEMBLY INSTRUCTIONS (pg 8 of 12)

Storage Cabinet (Model No. 16236)

TIP: A magnetic screwdriver is included for your convenience. If a power screwdriver is used, keep on a low torque setting.

This package contains an updated product construction designed for easier transportation while maintaining a rigid structure. Maximum loading capacity is 600LBS.

WARNING: Some parts may have sharp edges. To avoid injury, wearing gloves is recommended during assembly.

Step 1: Install (#1-A) Left Side Panel.

Place the (#1-A1) Left Side - Upper Panel and (#1-A2) Left Side - Bottom Panel together, place the (#1-A3) Side Panel Reinforcement Connection Part over the touching edges, line up screw holes, use 3pcs of (#42) Screw G to tighten from the side, then use 4pcs of (#41) Screw F to tighten from the top side.

Note: Make sure the (#1-A1) Left Side Upper Panel is flushed with (#1-A2) Left Side Bottom Panel.

Step 2: Install (#2-A) Right Side Panel.

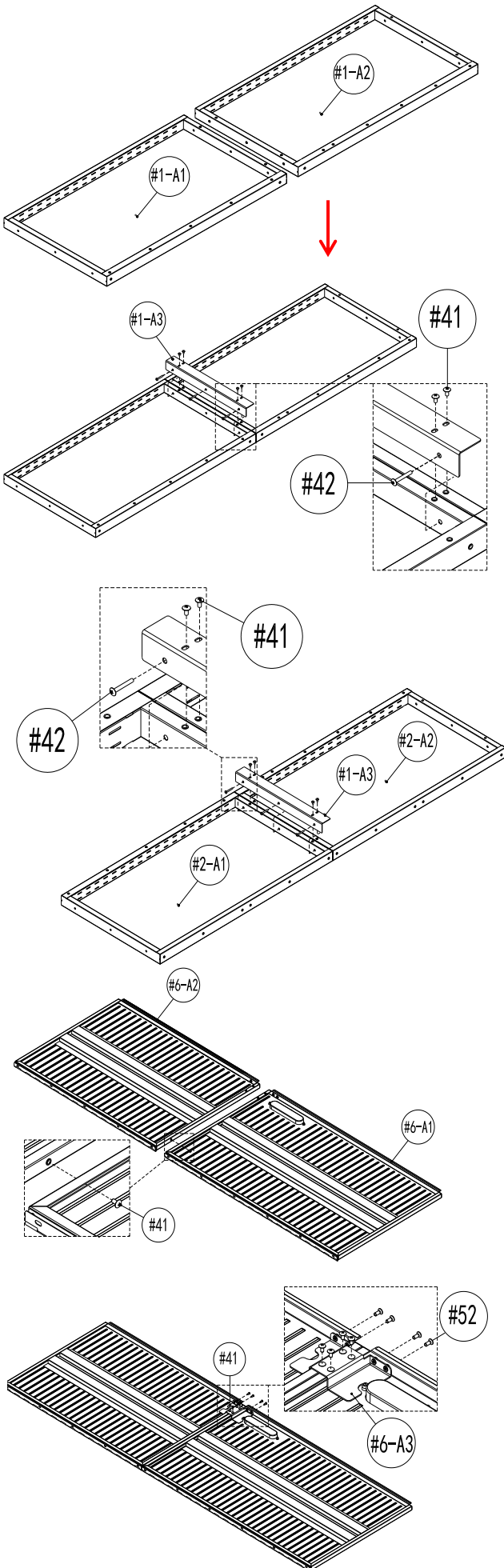
Repeat **Step 1**, use (#2-A1) Right Side Upper Panel, (#2-A2) Right Side Bottom Panel, (#1-A3) Side Panel Reinforcement Connection Part 3pcs (#42) Screw G to tighten from the side, then use 4pcs (#41) Screw F to tighten from the top side.

Step 3: Install (#6-A) Left Door.

1). Place (#6-A1) Left Door - Upper Panel and (#6-A2) Left Door - Bottom Panel together, line up screw holes, use 1pc (#41) Screw F to tighten from the side.

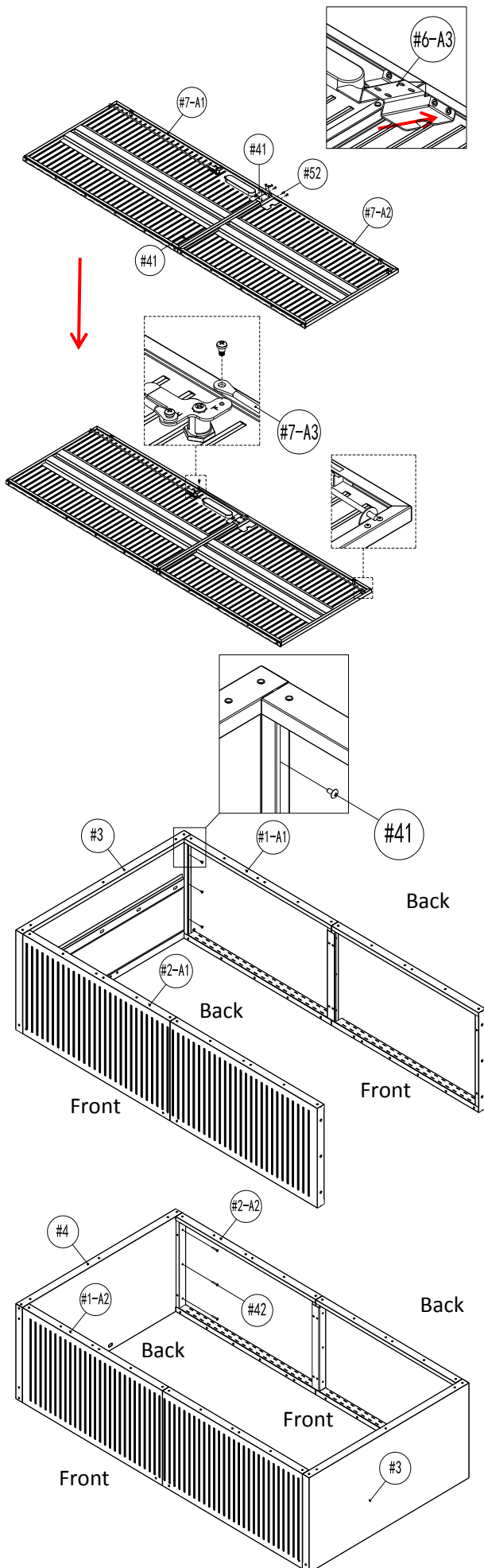
2). Place the (#6-A3) Door Panel Connection Part over the touching sides, line up the screw holes, use 4pcs (#41) Screw F to tighten from the top, and use 4pcs (#52) Screw K to tighten from outside edge.

Note: Make sure the (#6-A1) Left Door - Upper Panel is flushed with (#6-A2) Left Door - Bottom Panel.



ASSEMBLY INSTRUCTIONS (pg 9 of 12)

Storage Cabinet (Model No. 16236)



Step 4: Install (#7-A) Right Door.

Repeat **Step 3**, use (#7-A1) Right Door - Upper Panel, (#7-A2) Right Door - Bottom Panel, (#6-A3) Door Panel Connection Part, use 1pc (#41) Screw F to tighten the touching sides, use 4pcs (#41) Screw F to tighten from the top touching side, and 4pcs (#52) Screw K to tighten from outside edge.

Note: Make sure the (#7-A1) Right Door - Upper Panel is flushed with (#7-A2) Right Door - Bottom Panel.

Step 5: Install (#7-A3) Key Rod.

Insert (#7-A3) Key Rod into the bottom tab hole of (#7-A2) Right Door - Bottom Panel, twist out the Pre-assembled (#53) Screw L on the key rod linkage plate, attach (#7-A3) Key Rod by lining up the screw hole and tightening back in the (#53) Screw L.

Step 6: Install (#3) Top Panel to (#1-A1) Left Side Upper Panel and (#2-A1) Right Side Upper Panel.

Attach (#3) Top Panel to (#1-A1) Left Side Upper Panel and (#2-A1) Right Side Upper Panel. Make sure the front of the panel faces downward. Line up screw holes, use 6pcs (#41) Screw F to tighten.

Note: Before tightening screws, make sure the bottom corners of (#1-A1, #2-A1) Left Side Upper Panels are completely flushed with the back and front corners of (#3) Top Panel.

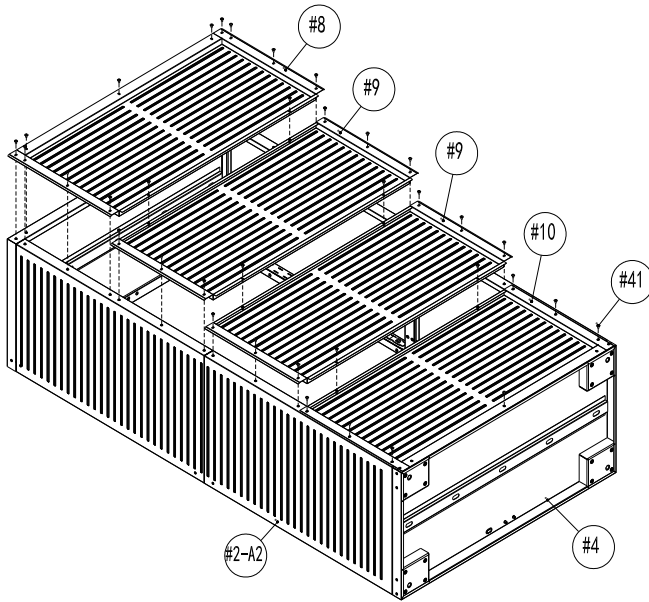
Step 7: Install (#4) Bottom Panel to (#1-A2) Left Side Bottom Panel and (#2-A2) Right Side Bottom Panel.

Attach (#4) Bottom Panel to (#1-A2) Left Side Bottom Panel and (#2-A2) Right Side Bottom Panel. Make sure the front of the bottom panel faces downward. Line up screw holes, use 6pcs (#42) Screw G to tighten.

Note: Before tightening screws, make sure the bottom corners of (#1-A2, #2-A2) Left Side Bottom Panel and Right Side Bottom Panels are completely flushed with the back and front corners of (#4) Bottom Panel.

ASSEMBLY INSTRUCTIONS (pg 10 of 12)

Storage Cabinet (Model No. 16236)

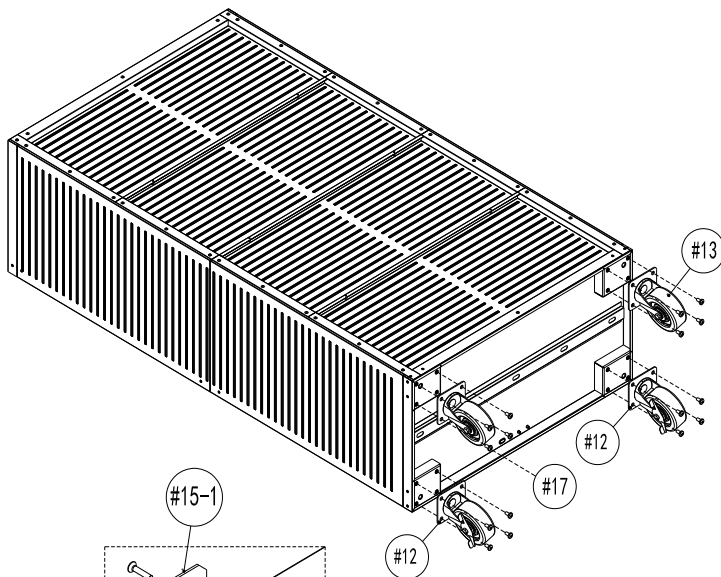


Step 8: Install (#8, #9 and #10) Back Panels.

1). Attach (#10) Bottom Back Panel onto both Bottom of Left and Right Side Panels (#1-A2 and #2-A2) and Bottom Panel (#4), line up screw holes, use 7pcs (#41) Screw F to tighten.

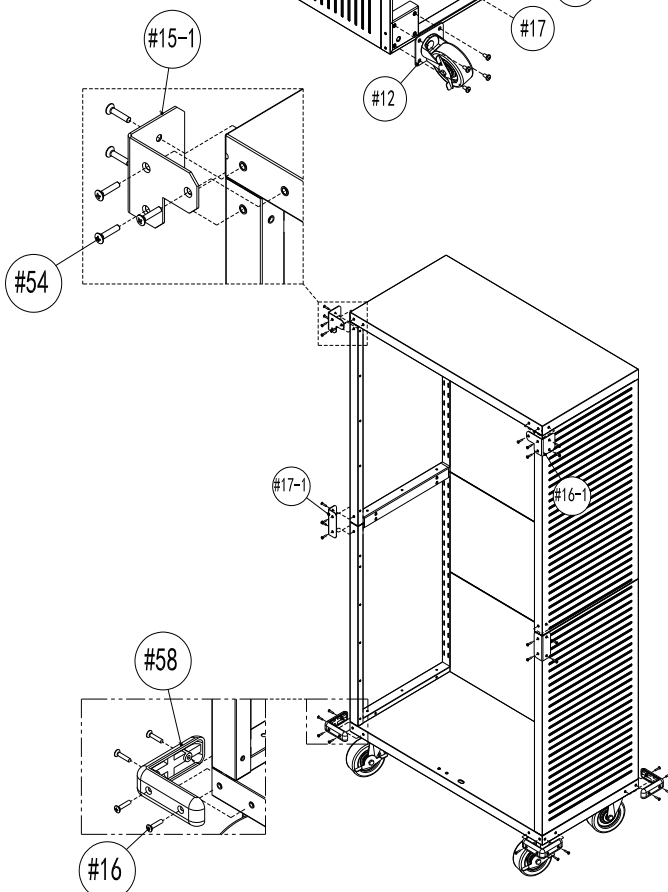
2). Attach both (#9) Middle Back Panel above (#10) Bottom Back Panel the same way. Place the groove of the (#9) Middle Back Panel onto the top edge of the (#10) Bottom Back Panel, use 16pcs (#41) Screw F to tighten.

3). Use 13pcs (#41) Screw F to install (#8) Upper Back Panel the same way.



Step 9: Install (#12 & #13) Wheels.

Install the Wheels with Brake (#12) onto the front of the cabinet and screw the Wheels W/O Brake (#13) onto the back of the cabinet. Use 16pcs (#17) Screws D to tighten.



Step 10: Install (#15-1, #16-1 and #17-1) Corner Protections.

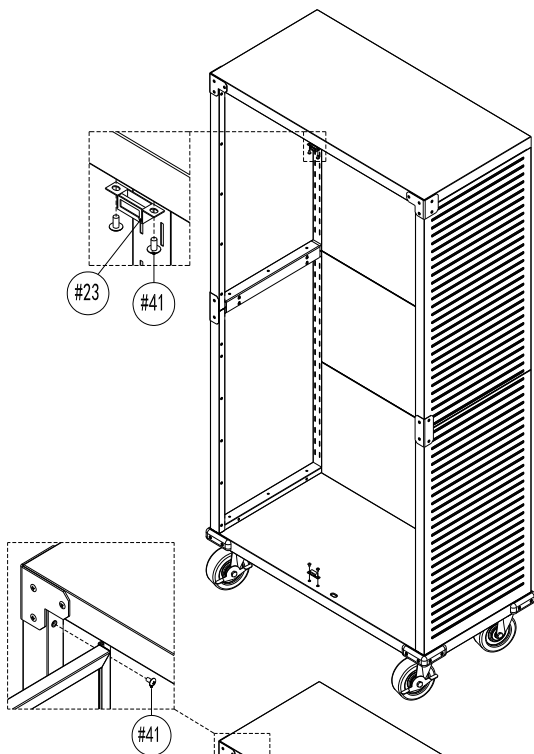
1). Attach (#15-1, #16-1) Corner Protection A, B onto Top of the cabinet, use 10pcs (#54) Screw N to tighten.

2). Attach (#17-1) Middle Corner Protection to the middle of (#1-A) Left Side Panel and (#2-A) Right Side Panel, use 8pcs (#54) Screw N to tighten.

3). Attach (#58) Bumper to the corner of (#4) Bottom panel, use 16pcs (#16) Screw C to tighten.

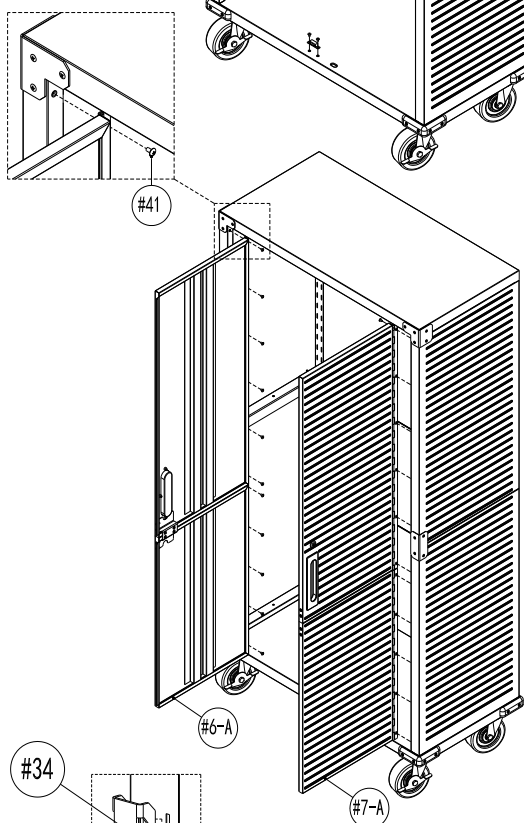
ASSEMBLY INSTRUCTIONS (pg 11 of 12)

Storage Cabinet (Model No. 16236)



Step 11: Install (#23) Magnet.

Place (#23) Magnet onto (#3) Top Panel and (#4) Bottom Panel facing the front, use 4pcs (#41) Screw F to tighten.

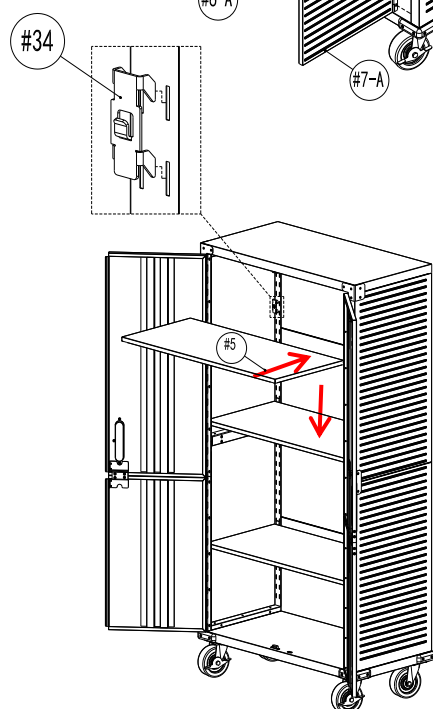


Step 12: Install (#6-A, #7-A) Left and Right Doors.

1). Attach (#6-A) Left Door to (#1-A) Left Side Panel, use 11pcs (#41) Screw F to tighten.

Note: The screw holes on the door hinge have tolerance, enabling the door to be adjusted and centered in the door frame. Place top, middle and bottom Screws first. Don't tighten screws completely - this may save time by avoiding having to make slight adjustments for leveling door panels later.

2). Install (#7-A) Right Door the same way.



Step 13: Install (#5) Middle Shelves.

1). Decide the height for the each Middle Shelf (#5). Place 1pc of (#34) Hook into the hook slot where each corner of shelf should be placed. Make sure the hooks supporting each shelf are at same height.

Note: All (#5) Middle Shelves need a hook at each corner to support it.

2). Place each (#5) Middle Shelf into cabinet and push down onto (#34) Hooks.

Note: 150 lbs. maximum loading for each shelf.

Stainless Steel Maintenance:

These parts have an UltraGuard® fingerprint resistant finish. Do not use traditional stainless steel cleaners on this unit. Lightly wipe off once a month with clean warm water and a soft cloth (preferably a micro fiber cloth). This is the safest formula to prevent new stains from appearing over time and manage unwanted fingerprints or grease marks. Remember to always wipe in the direction of the surface grain (NEVER ACROSS) and always use a lint-free cloth. Once the surface is clean, thoroughly wipe dry with a soft absorbent cloth.

CONTACT INFORMATION

(pg 12 of 12)

*If you are missing any parts, have any questions, or need additional assistance in assembly, please contact our bilingual (English and Spanish) customer service department at:

Seville Classics, Inc.
19401 South Harborgate Way
Torrance, CA 90501
USA

Telephone: (800) 323-5565 within USA

Hours: 9:00am - 4:30pm (Pacific Standard Time)

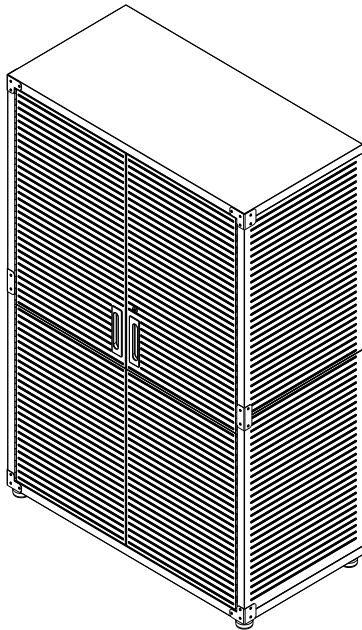
Fax: (310) 533-3899

E-mail: support@sevilleclassics.com

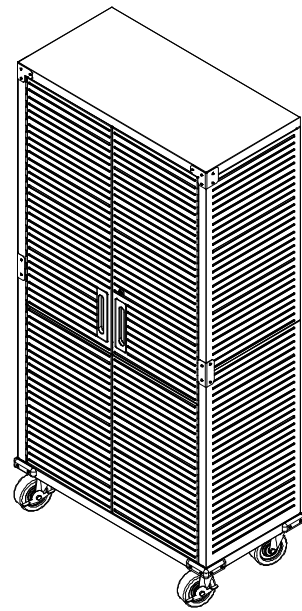
Website & Online Store: www.sevilleclassics.com

Please visit our website or call and inquire about our additional UltraHD Line

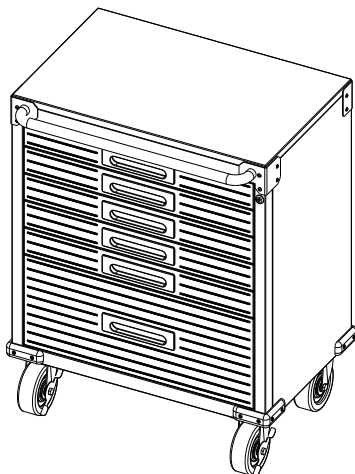
UltraHD Line



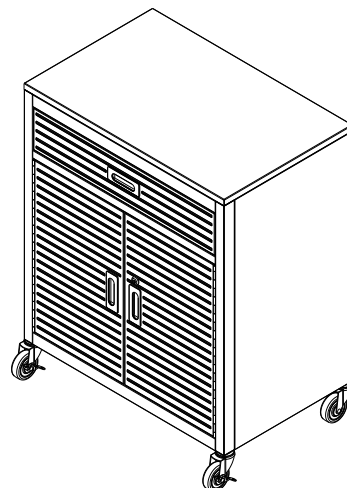
Model No. 16238
UltraHD Mega Cabinet



Model No. 16236
UltraHD Storage Cabinet

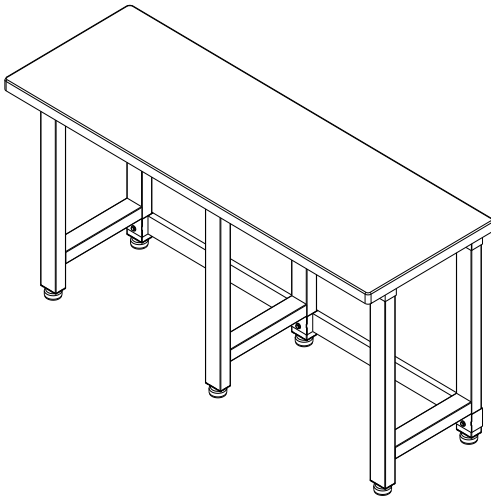


Model No. 20204
UltraHD 6-Drawer Rolling Cabinet

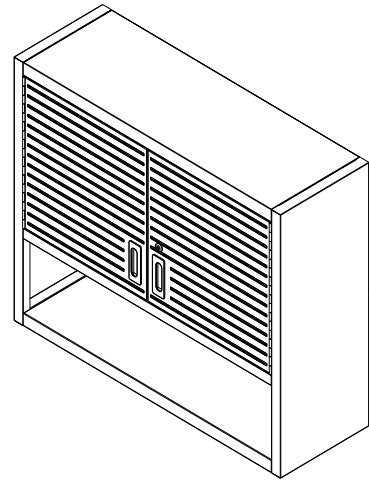


Model No. 20238
UltraHD Rolling Cabinet

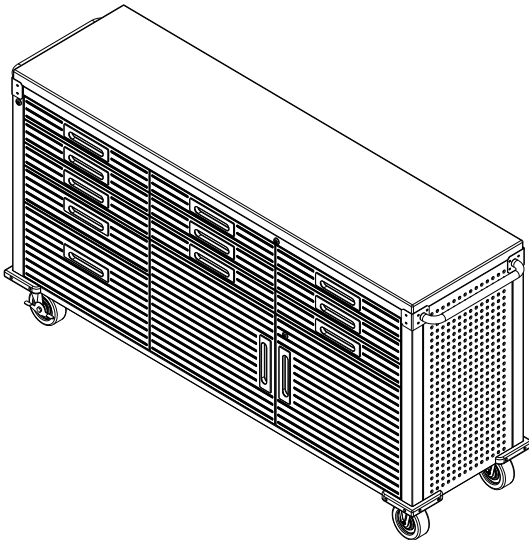
UltraHD Line



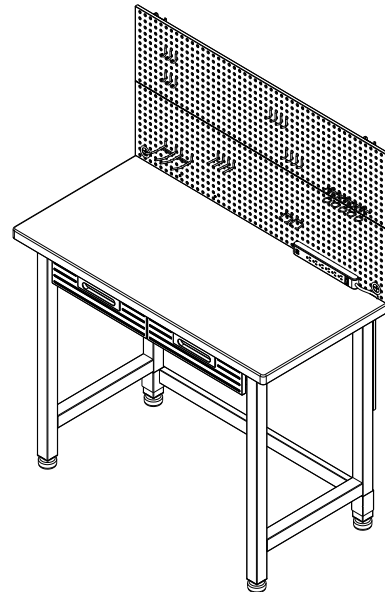
Model No. 20206
UltraHD Workbench



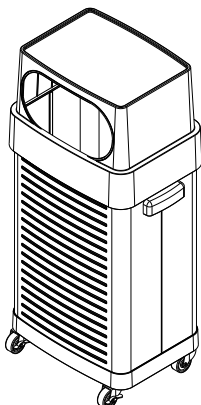
Model No. 20230
UltraHD Wall Cabinet



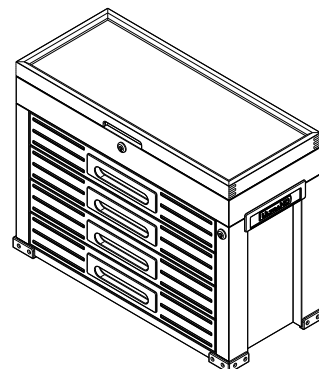
Model No. 20262
UltraHD Rolling Workbench



Model No. 20267
UltraHD Workcenter



Model No. 20215
UltraHD Trash Bin



Model No. 20255
UltraHD Tool Box