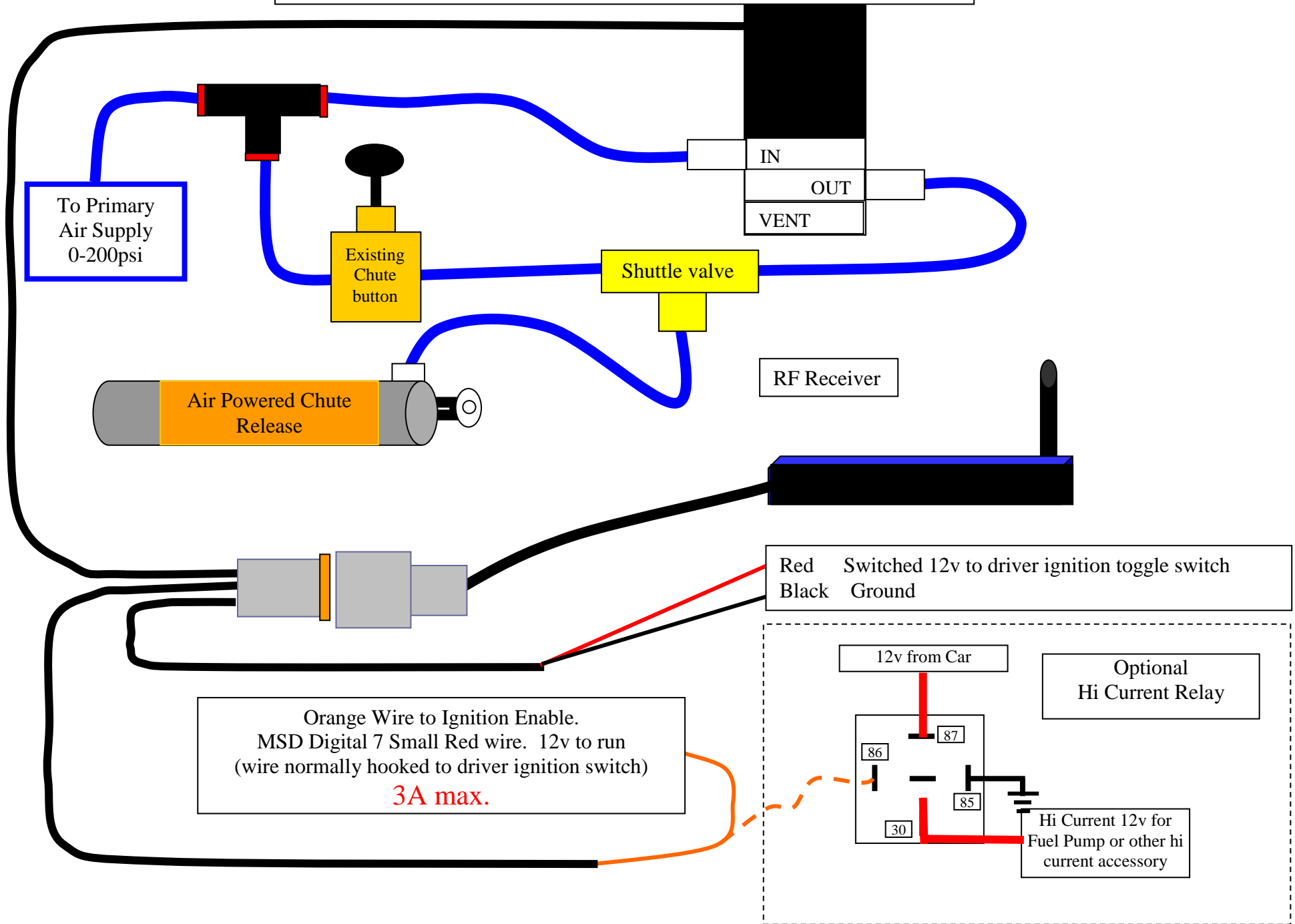


# Pro-Stock/ Comp / Nitrous Pro-Mod Safety Shutoff Controller



The Electrimotion Safety Shutoff receiver for Pro-Stock/Comp/ Nitrous Pro-Mod cars is designed to shut the car off and deploy the parachutes as the car passes the wall mounted shut off transmitter which is usually mounted 400ft beyond the finish line.

The system has 2 outputs, ignition power and parachute air. The parachute output is a hi flow air valve. To mechanically complete the system, an air cylinder is included. The Ignition power output is a 2 pin Deutsch connector. Connect Ignition enable (and Hi Current Relay) to the Ignition power output. **(Max Current 3A).**

The controller will receive power from the existing +12-16v battery pack that is already used.

**Both air valves must be connected to the primary air supply.**

Dimensions of the receiver are 2.5"W x 0.425H x 4.425"D. Weight of all parts is only 14oz.

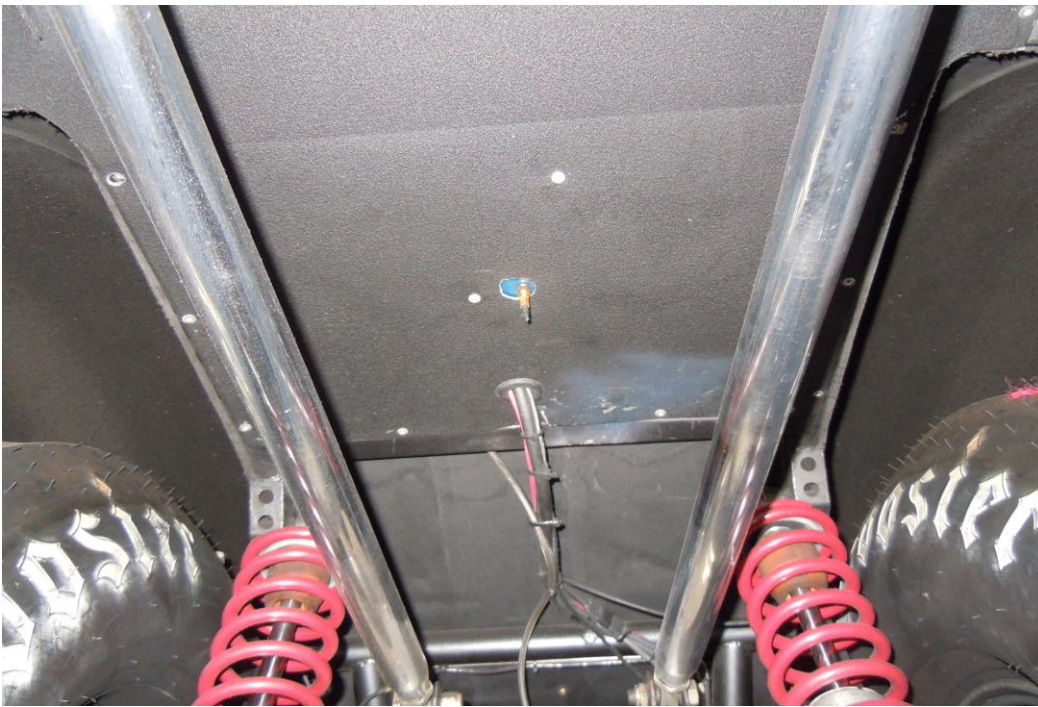
### Pro-Stock/Comp/ Safety Shutoff Kit PN RF001PS

Part	Qty	Part Number
Safety Box	1	n/a
High Flow Air Switch	1	n/a
Shuttle Valve	1	n/a
7/8" Bore Air Cylinder	Not Included	Fabco 7/8" F-0875D02-03A
PFA Teflon 1/4" Air Line	Not Included	Mc Master Carr PN 51805K86

- Do Not use Polypropylene or Polyurethane air lines

#### General Warnings:

IT IS THE RESPONSIBILITY OF THE PERSON INSTALLING ANY CONTROL SYSTEM COMPONENT OR KIT TO DETERMINE THE SUITABILITY OF THE COMPONENT OR KIT FOR THAT PARTICULAR APPLICATION. IF YOU ARE NOT SURE HOW TO SAFELY USE THIS COMPONENT OR KIT, YOU SHOULD NOT INSTALL OR USE IT. DO NOT ASSUME ANYTHING. IMPROPERLY INSTALLED OR MAINTAINED CONTROL SYSTEMS ARE DANGEROUS. IF YOU ARE NOT SURE, GET HELP OR RETURN THE PRODUCT. YOU MAY OBTAIN ADDITIONAL INFORMATION AND TECHNICAL SUPPORT BY CALLING ELECTRIMOTION AT (740) 362-0251, OR VISIT OUR WEB SITE AT WWW.ELECTRIMOTION.COM. USE OF ELECTRIMOTION TECHNICAL SUPPORT DOES NOT GUARANTEE PROPER INSTALLATION. YOU, OR THE PERSON WHO DOES THE INSTALLATION, MUST KNOW HOW TO PROPERLY USE THIS PRODUCT. IT IS NOT POSSIBLE OVER THE PHONE TO UNDERSTAND OR FORESEE ALL THE ISSUES THAT MIGHT ARISE IN YOUR INSTALLATION. LIABILITY ON DEFECTIVE MERCHANDISE OR MERCHANDISE NOT CONFORMING TO MANUFACTURER'S SPECIFICATIONS IS LIMITED TO THE REPAIR OR REPLACEMENT OF THE DEFECTIVE ITEM. RACING EQUIPMENT MUST BE MAINTAINED AND SHOULD BE CHECKED REGULARLY FOR FATIGUE, DAMAGE, AND WEAR. DO NOT OPERATE ANY VEHICLE ON UNTESTED CONTROL SYSTEMS!



Typical Mounting location

- Mount on rear of car and point antenna down towards the track.
- Mount inside rear roll pan
- Drill 1/2" hole and point antenna down thru roll pan toward the track
- Make sure you have line of sight to the rear of the car.
- Do Not Over tighten the antenna nut. ( NO LOCKTITE )
- Mount with at least 2 8-32 \* 5/16th screws.
- (Do Not Weld Tabs with unit in place.)