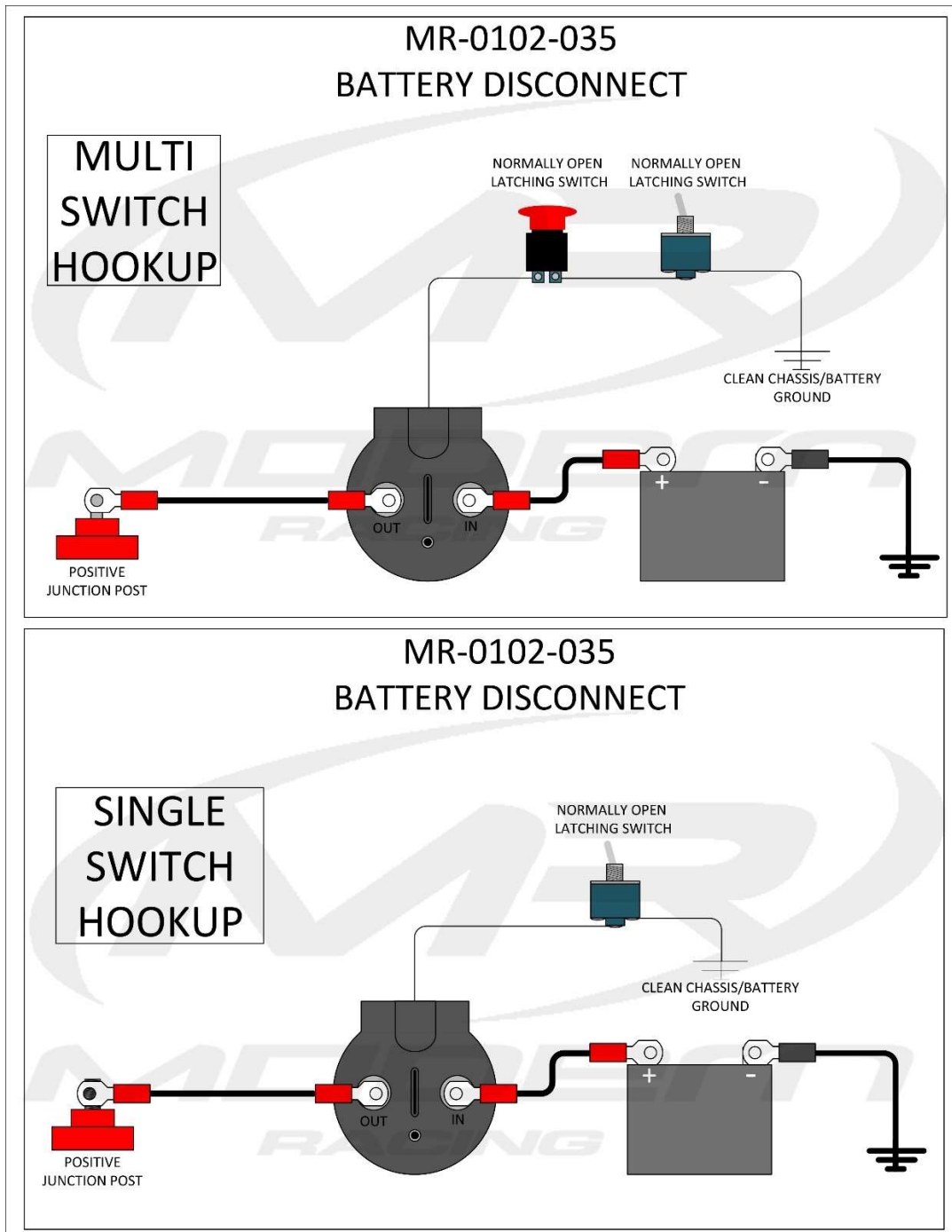


## MR Electric Battery Disconnect (750A) Install Diagram

NOTE: This diagram must be read and fully understood before beginning installation. If this diagram is not fully understood, installation should not be attempted. Failure to follow these instructions and pictures may result in subsequent system failure.





## MR Electric Battery Disconnect (750A) Install Diagram

NOTE: This diagram must be read and fully understood before beginning installation. If this diagram is not fully understood, installation should not be attempted. Failure to follow these instructions and pictures may result in subsequent system failure.

