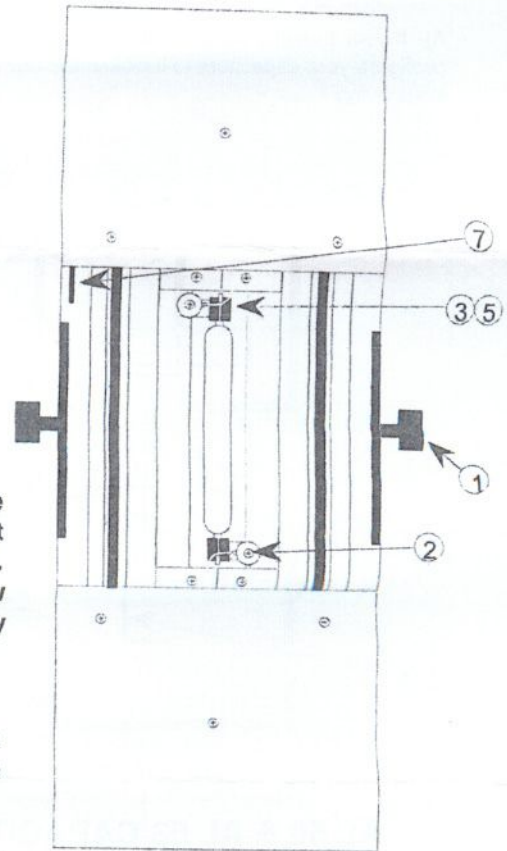
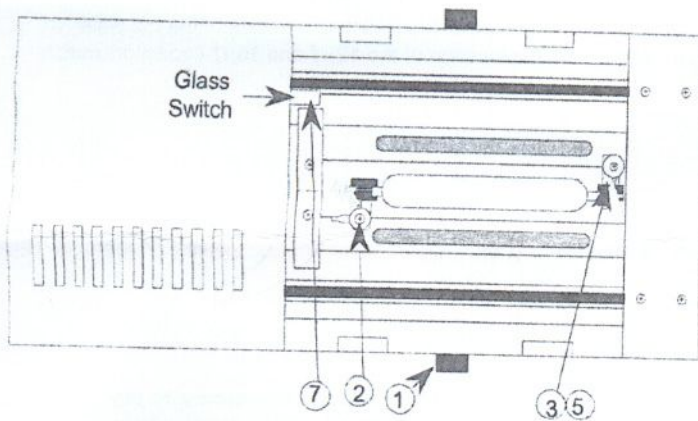


OLEC® L1261/ L1252 LAMP CHANGING INSTRUCTIONS



CAUTION: If lamphead is mounted over a vacuum frame, place some heavy cardboard or a piece wood over the glass to protect it from damage should something be accidentally dropped. Before changing the lamp make sure to turn the unit off and allow it to complete its cool down cycle. Then unplug the power supply from the wall outlet.

1) Remove Safety Glass

Loosen the two thumbscrews to release the glass and carefully slide the holding brackets away from the lamp. The safety glass will slide out on either side.

2) Lamp Leads/Holders

Caution: Lamp may still be hot. Loosen the thumbscrews and remove the lamp wires.

3) Disconnect and Remove Lamp

Remove the spadelugs and wires from under the thumbscrews then lift each end of the lamp out of the holder.

4) Clean Reflector and Safety Glass

Clean the reflector with a mild solvent such as rubbing alcohol and clean soft cloth. Use glass cleaner to remove dust from the safety glass. Dirty reflectors and glass can substantially reduce light output.

5) Install New Lamp

Unpack new OLITE lamp. DO NOT TOUCH LAMP with your hands. Contamination of the quartz tube of the lamp with skin oils will shorten the life considerably and may lead to failure. Handle the lamp with the white gloves that are provided. Clean with the alcohol wipe included and then insert the lamp into the holders.

6) Reconnection of Lamp

Fully insert the spade lugs on the connecting wires under BOTH thumbscrews and tighten. Make sure the wires are positioned in such a way that they do not touch the lamp body or the reflector and cooling tube.

7) Insert Safety Glass

Insert the safety glass into the holders and push against the housing, making sure that the safety interlock switch is firmly underneath the glass and not squeezed to the side. The light will not operate unless the safety glass is installed properly. When the safety glass is properly installed it will be able to move slightly. If it is too tight it may be damaged during use.

8) Reconnect

Check that all the above has been completed. Only then should you plug the power supply cable back into the power outlet. The equipment is now ready to operate.

Very Important

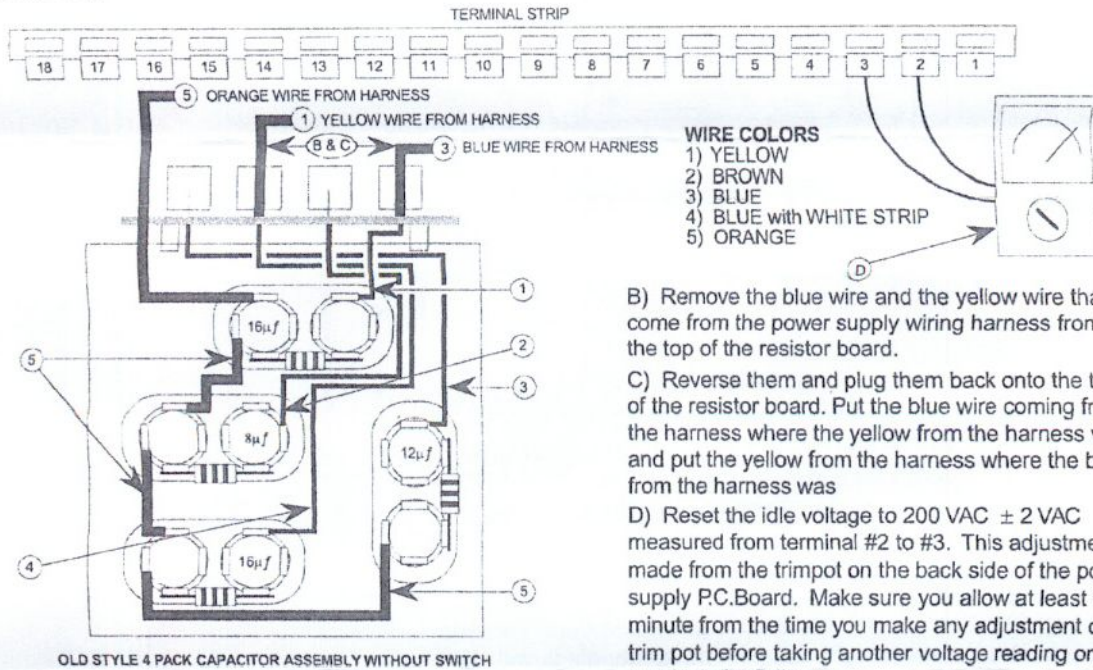
OLITE Lamps are specifically designed for OLEC and undergo careful testing and preparation before shipment. They carry the OLEC Warranty of Satisfaction. Substitutes and copies of lamps are not approved by OLEC, nor do they carry our Warranty. Use approved OLEC replacement parts ONLY!



L1261/ L1252 LAMP CHANGING INSTRUCTIONS

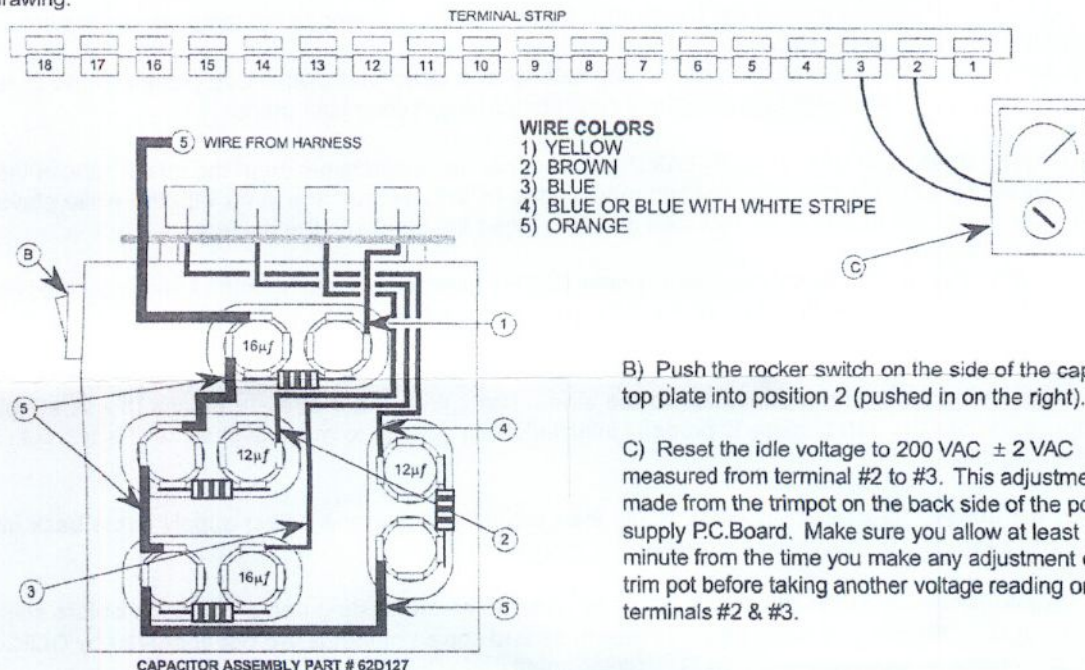
AL 50 & AL 53 CAPACITOR SETUP AND IDLE VOLTAGE SETTING

A) If your present capacitor assembly has four capacitors and there is **NOT** a switch on the side of the top plate configure your capacitors to look like the drawing below. Make sure the location of the $12\mu f$ and $16\mu f$ capacitors match the drawing.



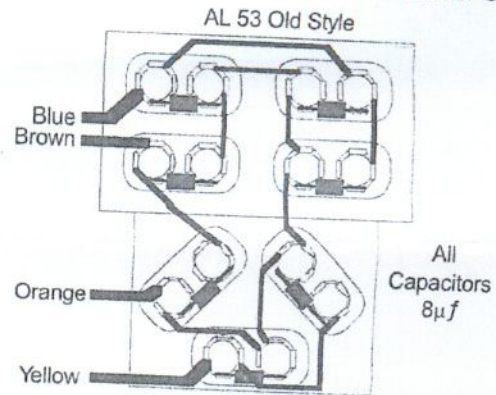
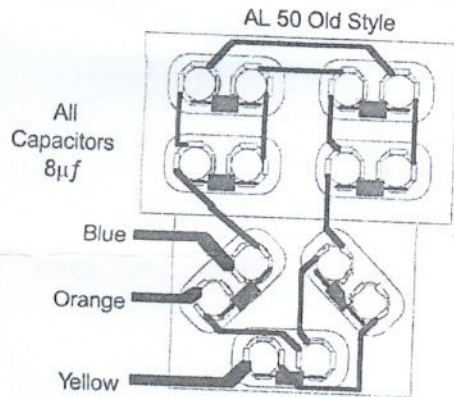
AL 50 & AL 53 CAPACITOR SETUP AND IDLE VOLTAGE SETTING

A) If your present capacitor assembly has four capacitors and there **IS** a switch on the side of the top plate configure your capacitors to look like the drawing below. Make sure the location of the $12\mu f$ and $16\mu f$ capacitors match the drawing.

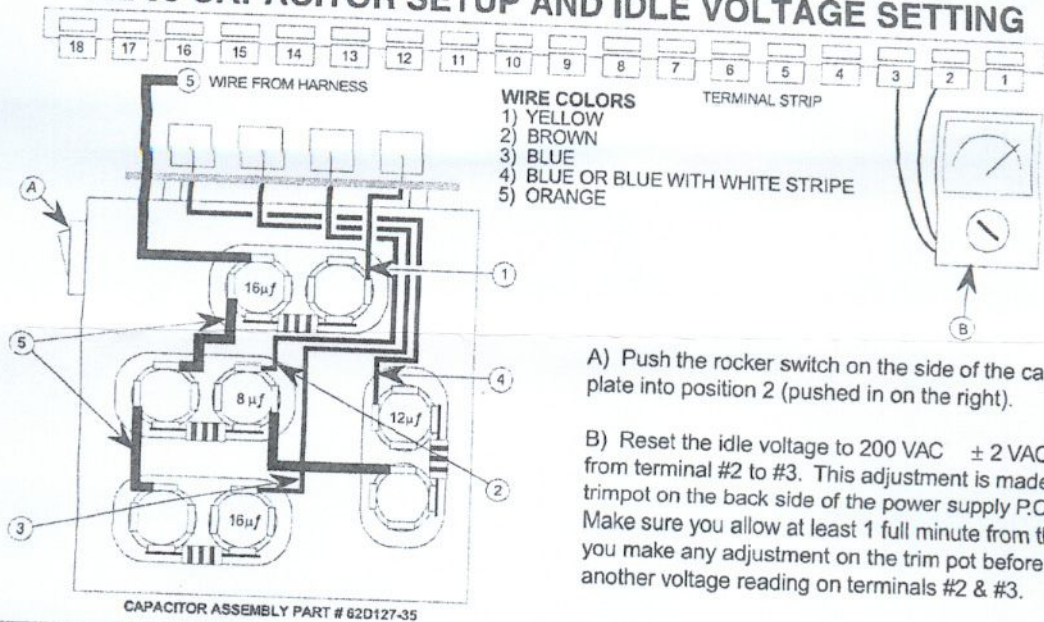


OLEE® L1261/ L1252 LAMP CHANGING INSTRUCTIONS

A) If your present capacitor assembly looks like either of these two pictures, it **MUST** be replaced with a 62D127 Cap Pac.

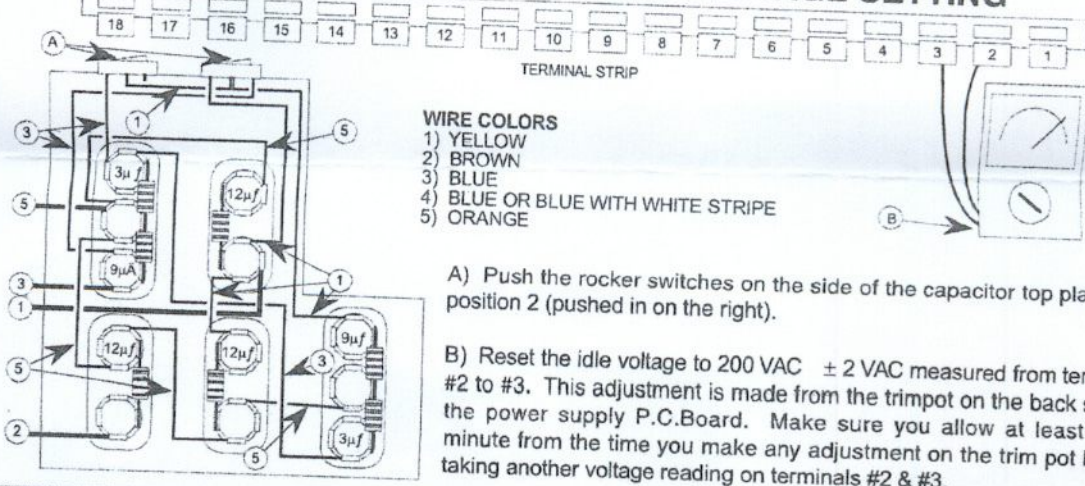


AL 35 CAPACITOR SETUP AND IDLE VOLTAGE SETTING



- A) Push the rocker switch on the side of the capacitor top plate into position 2 (pushed in on the right).
- B) Reset the idle voltage to 200 VAC \pm 2 VAC measured from terminal #2 to #3. This adjustment is made from the trimpot on the back side of the power supply P.C.Board. Make sure you allow at least 1 full minute from the time you make any adjustment on the trim pot before taking another voltage reading on terminals #2 & #3.

AL 23 CAPACITOR SETUP AND IDLE VOLTAGE SETTING



- A) Push the rocker switches on the side of the capacitor top plate into position 2 (pushed in on the right).
- B) Reset the idle voltage to 200 VAC \pm 2 VAC measured from terminal #2 to #3. This adjustment is made from the trimpot on the back side of the power supply P.C.Board. Make sure you allow at least 1 full minute from the time you make any adjustment on the trim pot before taking another voltage reading on terminals #2 & #3.