



**BLUETEC**

# Lamp Express USA

YOUR ULTRAVIOLET AND INFRARED SPECIALIST

CATALOG

[www.lexusa.com](http://www.lexusa.com) | 1-888-539-8847 | [sales@lexusa.com](mailto:sales@lexusa.com)

## High Quality Emitters for all Equipment at your Facility.

From time to time UV and IR system manufacturers will enforce their warranty or service agreements by invoking a rule that the use of non-OEM curing or drying lamps will void any warranty or system performance expectations. This creates a legitimate concern for any company considering an alternative lamp supplier. After designing and producing UV and IR lamps for over 50 years, Lamp Express is very comfortable offering our assurance that we are not aware of any instances of Lamp Express lamps causing equipment damage or sub-standard performance.

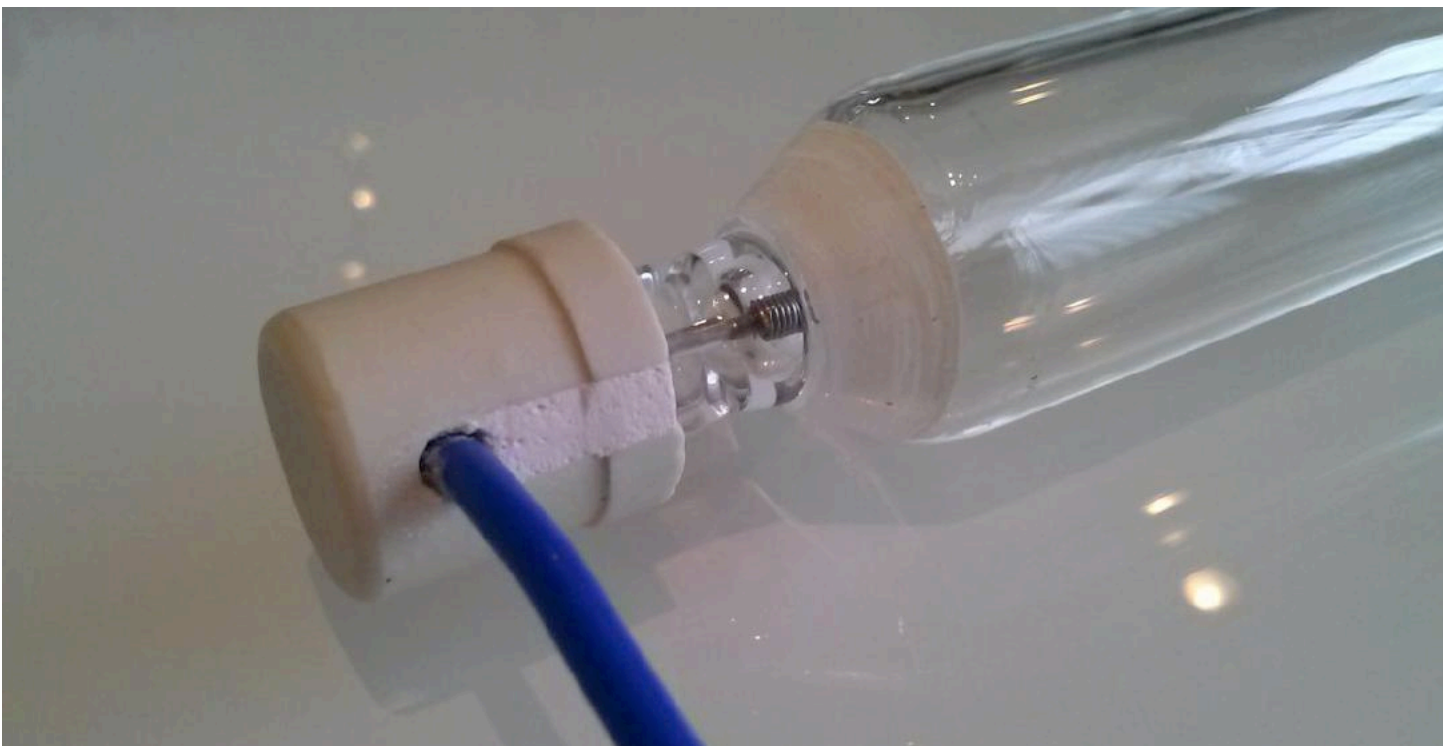
Lamp Express is the only lamp company founded as an independent partner of a UV system OEM. This important history has allowed Lamp Express to intimately learn about UV system intricacies and apply this knowledge to producing lamps for our partners as well as other OEM companies. As a result, we have experienced significant growth in both aftermarket lamp sales and repeat business for a variety of UV and IR curing system manufacturers.

There is no doubt that equipment manufacturers are very eager to retain the often lucrative spare parts market and often use the subject of warranties to do this. Our customers have typically dealt with this issue by continuing to rely on the consistency, reliability and competitiveness of Lamp Express product and service. The price you pay includes no compromises on raw materials or design steps, just elimination of additional markups. You may contact your Lamp Express sales representative for additional answers to your questions about UV curing lamps or IR drying lamps. We look forward to starting our new service or continuing our long support of your business.

# Lamp Express USA

YOUR ULTRAVIOLET AND INFRARED SPECIALIST

[Ultra Violet Technology](#) • [Infrared Technology](#) • [Xenon Technology](#) • [Measuring Technology](#)





## Environmentally Friendly UV Lamps

Lamp Express is the only UV lamp supplier that offers environmentally conscious UV Lamps. Our Bluetec Eco line of UV Lamp are identical in performance to our industry standard lamps but have been redesigned with only a loss of the overall lifetime. Most of our lamps are available in Bluetec Eco version depending on your application. Our standard Eco lamp lifetime warranty is 500 hours. This is just a 20-30% loss over our standard UV lamps. The benefits of our lamps

## Ozone Free Quartz

Tri-atomic oxygen or ozone is the only byproduct of a UV lamp. Ozone is formed by the oxygen around the lamp being exposed to 254 nanometer wavelengths of UV energy. By using our special ozone free quartz glass in the manufacturing process, we are able to eliminate the UV lamps ozone generation. Why switch to Ozone Free Quartz? Ozone can be harmful to health. The United States Environmental Protection Agency or EPA states that, "Breathing large doses of ozone can trigger a variety of health problems including chest pain, coughing, throat irritation, and congestion. It can worsen bronchitis, emphysema, and asthma. Ground level ozone also can reduce lung function and inflame the linings of the lungs. Repeated exposure may permanently scar lung tissue". The other Benefit of using Ozone Free Quartz is to protect your investments. Manufacturing equipment using UV systems are prone to the exposure. UV radiation is able to break down chemical bonds. This leads to rapid aging of plastics (insulations, gasket) and other materials such as metals, which will deteriorate and rust faster.

## Environmentally Conscious Mercury Dosing

At Lamp Express we engineer our lamps to contain the minimum amount of mercury required without sacrificing quality and performance. Many manufactures overdose the UV lamps due to incomplete lamp specifications. We take pride in our mercury efficient lamps and also encourage our customers to dispose of these lamps due to the mercury content correctly.

## Mercury Lamp Recycling

Remember, don't throw your lamps in the trash. Mercury lamps are considered Hazardous waste, it is important that any product containing mercury be properly managed when it becomes waste to protect public health and the environment. This is why we use high quality shipping boxes which can be reused to return your old lamps to our warehouse . We have regular pickups at our location from the local Hazardous Waste Authorities to ensure that our lamps are properly recycled. In case you would like to recycle the lamps locally and reduce your carbon footprint by not shipping them we recommend [lamprecycle.org](http://lamprecycle.org). They provide a complete list of recycle centers near you for proper mercury disposal.



## RoHs Compliant

Our UV Lamps are all manufactured using RoHs Compliant Components. This includes our Lead Wires, Terminals, Quartz and Ceramic end fittings. How do you identify a Bluetec Eco Lamp? Our Lamps are all etched as Bluetec Eco and lead wires are Neon Green. Make the environmentally conscious switch today.





## Medium Pressure UV Curing Lamps

Lamps sourced or manufactured by Lamp Express are the most commonly used type for industrial UV curing processes. We have thousands of lamp types in our database. We offer high quality replacements for every major system manufacturer on today's market. Lamp Express can manufacture lamps for any application with power ranging from 75 watts per cm up to 450 watts per cm and we can produce lamps in various sizes between 1 in and 150 in. In addition we can engineer a wide range of spectral outputs to meet your drying needs. Lamp Express can manufacture or source a replacement lamp for your UV drier! We can also work together with OEMs to manufacture your custom engineered lamps, for any equipment you are introducing into today's market.

## Technical Data for our UV Curing Lamps

UV Lamp	Mercury	Iron	Gallium	Other Gas Fills
Power Range (Kw)	0.4 - 10	0.4 - 10	0.4 - 10	0.4 - 10
Max Heated Length (mm)	4000	4000	4000	4000
Quartz Diameter (mm)	12 - 45	12 - 45	12 - 45	12 - 45
Electrode Temp (°C)	650 - 750	650 - 750	650 - 750	650 - 750
Effective Spectral Range (µm)	365	380	420	Varies
Typical Operating Life (Hrs)	500 - 1500	500 - 1500	500 - 1500	500 - 1500
Response Time (s)	1 - 5	1 - 5	1 - 5	1 - 5

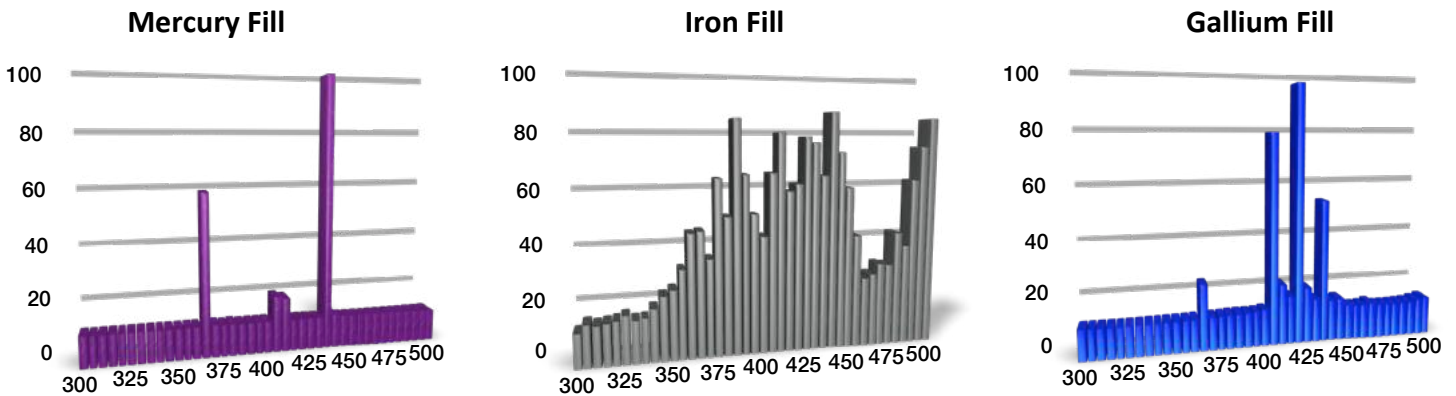
## Manufacturing And Distribution

We at Lamp Express manufacture our own lamps under the Bluetec Brand and in addition are also authorized agents for various leading UV manufacturers. Whatever lamp you require Lamp Express can manufacture to your specifications or source an OEM replacement lamp.



## Standard Spectral Outputs

The output of a medium pressure mercury UV lamp can be engineered to work with various coatings, varnishes and adhesives of different spectral regions. The vast majority of these applications are cured by exposure to energy at the 254nm and 365nm regions. Other coatings for special applications require wavelengths such as 385nm and 417nm. This can also be achieved by filling the lamps with other inert gases to achieve the desired result. Lamp Express offers a broad scope of abilities to match the spectral range you require.



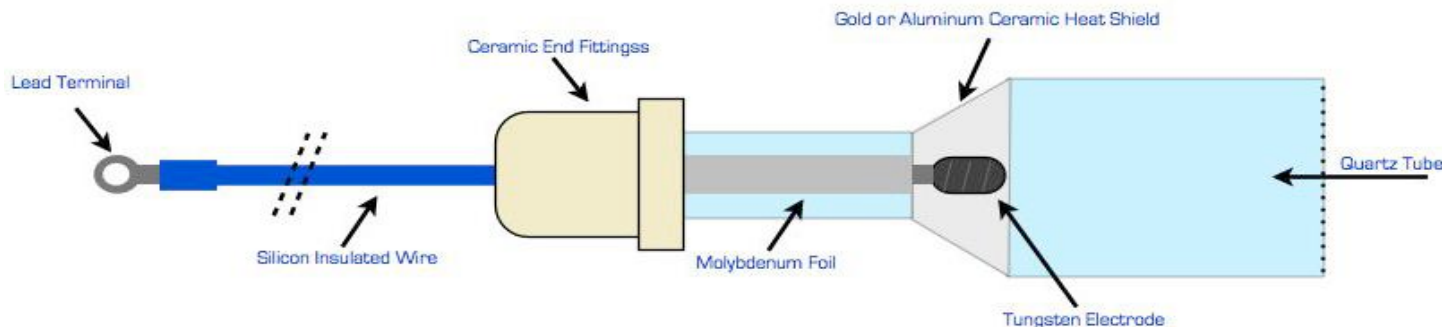
## Industries We Serve

We have provided end users resellers and OEMS with lamps in almost every manufacturing process imaginable. From Solar Panel Xenon Simulation lamps to Digital Printing UV Curing lamps. Due to the sheer size of our lamp portfolio and the even larger range of variables in what we could manufacture. Lamp Express has included lamp specification sheets in this catalog to assist our customers in finding the right UV lamps.

Digital Printing	Screen Printing	Adhesive Bonding	CD-DVD Replication	Bottle and Cup printing
Glass Lamination	Offset Printing	Wide Format Printing	Semiconductors	Printed Circuit Board
Rapid Prototyping (3D)	Wood Finishing	Engraving and Plating	Label and Sticker Printing	

## UV Lamp Construction

In the illustration below shows our roll down seal technology. We manufacture our lamps with two different seal types. A seal simply refers to how the lamp is closed at each end during the manufacturing process. A capillary seal or a pinch seal. Capillary sealed UV lamps, also known as “rolled” seals, are made by hand this method allows small production runs. Our Pinched Seal lamps are preferred when we do large production runs. This machine sealed process mechanically seals the lamp by hot stamping and forming a seal. We have the capabilities to complete any order volume with efficiency.



# Ultraviolet Lamp Overview

www.lexusa.com | 1-888-539-8847 | sales@lexusa.com



We manufacture virtually all Ultraviolet lamps regardless of design. In this section you will find many of our OEM cross references. We engineer and design of custom ultraviolet lamps per request. If you don't find your lamp here please call us. This is just a small overview of many lamps we carry. We have over ten thousand different UV lamps in our portfolio and couldn't possibly fit them all into our catalog

## Alpha Cure Cross Reference

AC 1773	AC 3747	AC 5001	AC 5713	AC 6190
AC 1843	AC 4057	AC 5074	AC 5714	AC 6192
AC 1858	AC 4255	AC 5075	AC 5790	AC 6336
AC 1977	AC 4347	AC 5076	AC 5951	AC 6366
AC 1999	AC 4366	AC 5146	AC 5952	AC 6433
AC 2014	AC 4466	AC 5194	AC 5953	AC 6463
AC 2174	AC 4697	AC 5263	AC 5954	AC 6467
AC 2215	AC 4711	AC 5346	AC 5959	AC 6468
AC 2292	AC 4735	AC 5365	AC 5969	AC 6469
AC 2296	AC 4737	AC 5668	AC 5977	AC 6568
AC 2661	AC 4816	AC 5688	AC 5993	AC 6569
AC 2738	AC 4844	AC 5695	AC 5997	AC 6570
AC 2779	AC 4845	AC 5697	AC 6067	AC 6573
AC 2937	AC 4850	AC 5705	AC 6096	AC 6582
AC 2982	AC 4865	AC 5706	AC 6170	AC 6683
AC 3217	AC 4866	AC 5707	AC 6187	ACP 4006
AC 3494	AC 4870	AC 5708	AC 6188	ACP 4091
AC 3666	AC 5000	AC 5709	AC 6189	ACP 4092

## Amba / Hereaus Cross Reference

AM1009X	AM1414X	AM1983X	AM3807X	AM5488X
AM1070X	AM1556X	AM1994X	AM3956X	AM5507X
AM1115X	AM1666X	AM2039X	AM4111X	AM5512X
AM1208X	AM1725X	AM2045X	AM4142X	AM5614X
AM1217X	AM1726X	AM2082X	AM4237X	AM5685X
AM1247X	AM1810X	AM2092X	AM4348X	AM5735X
AM1248X	AM1819X	AM2103X	AM4456X	AM5744X
AM1249X	AM1917X	AM2114X	AM4461X	AM5745X
AM1365X	AM1933X	AM2153X	AM4528X	AM5750X
AM1386X	AM1940X	AM2157X	AM4536X	AM5760X
AM1394X	AM1966X	AM2158X	AM4815X	AM5968X

Product names, Trades names and Trademarks remain the property of their respective owner.

All of our lamps are Replacements and not Original Lamps, unless otherwise noted. Prices and specifications are subject to error / change without notice. Version 1.2

**American Ultraviolet Cross Reference**

A94111FCB	A94201FCB	A94381MCB	A94601FCM	A9481FCB
A94111MCB	A94201MCB	A9441MCB	A94601MCB	A9481MCB
A94121FCB	A9421MCB	A94421MCB	A9461FCB	A94901FCB
A94121MCB	A94251FCB	A94481FCB	A9461MCB	A94901MCB
A94151MCB	A94251MCB	A94481MCB	A94651MCB	
A94152FCB	A94301FCB	A94501FCB	A94721MCB	
A94181FCB	A94301MCB	A94501MCB	A94771FCB	
A94181MCB	A94381FCB	A94551FCB	A94771MCB	

**Airmotion Systems Cross Reference**

V 001 507	M 000 071	M 000 742	M 000 660	M 000 389
M 000 195	M 000 194	M 001 626		

**Brewer Cross Reference**

830C	930CL	1130USR	1830C	2530S
830CL	930CLZ	1230C	1830S	3230S
830S	930S	1230CL	2030C	1030S
840C	940C	1230S	2030S	1530S
840CL	940CL	1530C	2140KURZ	2530C

**Eltosch Cross Reference**

12500358	12500077	12500392	12500075	10000109
12500025	12500230	12500495	12500412	171106
12500093	12500036	12500087	12500372	

**Gallus Cross Reference**

37601	37603	37884	R-200	R-300
37602	37882	R-160	R-250	

**GEW Cross Reference**

1416	9915	17448	24894	772810
1522	11176	17452	24895	772825
1537	11193	17506	24895	782913
5083	11366	17539	24896	739180
7537	11369	17729	24897	24894
7893	11371	18242	24898	17211
8477	11386	18316	24986	14704
9911	11643	19645	24987	40958
9912	11999	23305	24990	24893
9915	12484	23918	25308	17192
12494	14957	23919	25338	14703
13343	16594	24793	26039	
14702	17033	24831	27315	

**Grafix Cross Reference**

UVD1004003H	UVD1004003G	UVD1004008H	UVD1004008G	UVD1004011H
-------------	-------------	-------------	-------------	-------------



### IST Cross Reference

T1030K1	T1200U1	T550K2H	T730K2H54	T770NA3H
T1030K2H	T1200U1	T550K3H	T730K3H	T770NA3HA
T1030K2HB	T1330K1	T550KH3	T770K2H50	T800K1
T1050K2H	T1330K2H	T550N3H	T770K2H50	T800K3H
T1050K2HA	T1330K3H	T600K3H	T770K3H50	T800U3H
T1050K3H	T1400U	T600K3H	T770K3H50	T900K1
T1050K5H	T1420K3H	T650K	T770K3H50A	T900K3H
T1080NA3H	T1430K1	T700K1	T770K3H5C	T950K3H
T1100K1H-45	T330NA260	T700U1	T770N3H	
T1100U1	T400N380	T730K1	T770N3HA	
T1200K3H	T400NA275-1	T730K2H	T770NA2H	
T1200U	T550K1	T730K2H54	T770NA2HA	

### Primarc/ Nordson/ Baldwin Cross Reference

PM 411	PM 2016	PM 7098	PM 7250	PM 7290
PM 988	PM 2566	PM 7106	PM 7277	PM 7563

### Philips (Dr. Fischer) Cross Reference

HOK 4/120	HOK 35/120	HOK 65/80	HOK 80/120	HOK 140/80
HOK 20/100	HOK 50/80	HOK 65/120	HOK 105/80	HOK 140/120
HOK 35/80	HOK 50/120	HOK 80/80	HOK 105/120	

### Prime UV Cross Reference

16-1-18-22-4-0	16-1-25-22-6-0	16-1-25-26-6-0	16-1-30-25-6-0	16-1-30-32-6-0
16-1-21-22-6-0	16-1-25-25-6-0	16-1-30-22-4-0	16-1-30-26-6-0	16-1-30-36-6-0

**We manufacture any UV Curing lamp on Todays Market !**





# UV Lamps For Duplication



## UV curing lamps for the Optical Media Industry

We manufacture all lamps here in the USA. Don't buy cheap Chinese lamps when you can buy US made lamps at even better prices. It is our goal to provide our customer with the best products at affordable prices, without any sacrifice in performance. Call us today to find out how much you can save on your next purchase of UV curing lamps for your equipment. UV Lamps for Singulus, Kammann and more.

### 4M Finishing

DQ-1800	DQ-1700
---------	---------

### Arcure

150D270	OE400
---------	-------

### Convec

UVH-1522-0	UVH-1522-1	UVH-1022-0	UVH-1322-0
------------	------------	------------	------------

### Dainippon (DIC)

040124D	205602H	GA 6120 FL
---------	---------	------------

### Dubuit

508028	734703	215300	6MD	8MD2
--------	--------	--------	-----	------

### Fifo (Toolex)

558434	558432	UVH-1022-0	UVH-1322-0
--------	--------	------------	------------

### First Light Technology

205602H	558432
---------	--------

### Guann Yinn

18/150	36/150	UVH-1528-5
--------	--------	------------

### Hanky

36/150	UVH 1722/28-59	16/135	15700009	UVH-1528-1
15700217	UVH 1724/35 F-59	18/150	45/150	
15700189	15/120	15700104		

### Kammann

300.231.501.000	717.231.565.000	MC200	717.231.501.000	M200U/A
K-15				

**Kraus Maffei**

UVH-1322-0	UVH-1522-0	UVH-1722-0	UVH-1722/28-59	A34697N
------------	------------	------------	----------------	---------

**Lamin**

18/150	36/150	UVH-1528-1	040124D	
--------	--------	------------	---------	--

**Convec**

UVH-1522-0	UVH-1522-1	UVH-1022-0	UVH-1322-0	
------------	------------	------------	------------	--

**M2**

CS222825	200WKC/1	200WKC	200WKCX/1	DUV-35W
----------	----------	--------	-----------	---------

**Metronic**

UVH 1522-0	UVH-1524-1	UVH 2026-1	KU 300016	KU 300019
------------	------------	------------	-----------	-----------

**Miyakoshi**

M04-L41	M03-L31	M02-L41		
---------	---------	---------	--	--

**Nobler**

558434	558432			
--------	--------	--	--	--

**ODME / OMSO**

HOK 4/120 SE	OPUV 650/4C	OPUV 1000 C	M200S2	
--------------	-------------	-------------	--------	--

**Panasonic / Pioneer**

H04-L41	HOK 20/100			
---------	------------	--	--	--

**Robi Rondoline**

UVH-1522/28	UVH 1522/51			
-------------	-------------	--	--	--

**Singulus**

31102531-000	32100099-000	32100391-000	32101001-000	39101150-000
39101151-000	39101152-000	39101153-000	DQ-2223	GP991L
200BTZ/DF	ST2223/28	UVH2223/28	AM6706X	AM7813X

**Tapematic**

UVH 2022F-55				
--------------	--	--	--	--

**TES BV.**

411870	411811	411850	411908	411401
411515	411501	411302	411821	411516
411505	411506	411519	411543	411996
411812	411856	411851	411808	411997
411998	411402	411690	411815	

**Ton Hoa**

32/135				
--------	--	--	--	--

**Toolex Alpha**

UVH 2026-1	HOK 4/120 SE	D270/OE400	22390	
------------	--------------	------------	-------	--

**UV Lamps for your Duplicator?  
You need them. We have them!**



## UV curing lamps for Inkjet Flatbed and Wide format Printers

There are currently close to 500 Digital Wide Format printers on the market. Lamp Express manufactures non OEM lamps for almost 95% of these Printers. Over 75% Percent of all Curing Systems installed on Flatbed and wide format printers are manufactured by Integration Technologies. We provide all 42 Integration Technology lamps as non OEM replacements for a fraction of the cost, without sacrificing quality or a inferior warranty. Unlike Integration Technologies defined Pirate lamps our lamps are made to the exact OEM standard with the correct pinch seal. We manufacture lamps for all the following printers.

### Agfa Printers

Anapura X	Anapura XL	Anapura M	Anapura M4f	Anapura MV
Anapura MW	M-Press Tiger	1. Anapura M1600	Anapura M2050	Anapura M2500
Anapura M2540 FB	Anapura M3200 RTR	Jeti 1224 UV HDC	Jeti 5048 UV XL	Jeti 3020 Titan FTR

### CET Color

X-Press 500	X-Press 500H	X-Press 500Q	X-Press 500QE-4x	X-Press 1000 / 1000HL
-------------	--------------	--------------	------------------	-----------------------

### Colorspan (Now HP)

5460 UV	5465 UV	9840 UV	DisplayMaker 72 UVR	DisplayMaker 72 UVX
DisplayMaker 98 UVR	DisplayMaker 98 UVX			

### Digital Sign Technologies

Matrix 364UV				
--------------	--	--	--	--

### Dilli

1604 UV Titan	1606 UV Titan	2506 WS	Neo Plus	Venus
---------------	---------------	---------	----------	-------

### DuPont

Cromaprint 18 UV	Cromaprint 22 UV			
------------------	------------------	--	--	--

### Durst

Rho 160	Rho 205/8	Rho 205/16	Rho 350R	Rho 351 Rapid
Rho 500	Rho 500 Rapid	Rho 600	Rho 600 Rapid	Pictor

### DYSS

Apollo UV R160	Apollo UV R220	Apollo UV R320		
----------------	----------------	----------------	--	--

### EFI / Vutek

Rastek H650	Rastek H652	Rastek H700	Daytona H700	Rastek R3225
Rastek T660	Rastek T1000	Vutek GS2000	Vutek GS2000LX	Vutek GS3250
Vutek GS3250LX	Vutek GS3250r	Vutek GS5000r	Vutek QS2 / QS3 Pro	Vutek QS2000

**Flora**

2214 FUV	F1 180UV Turbo	F1 1250 UV-K	LJII 1800 Hybrid	
----------	----------------	--------------	------------------	--

**Fuji Film**

Acuity 250	Acuity HD 2504	Acuity HD 2545	Acuity HS X2	Acuity Advanced X2
Acuity Advance HD 2545	Acuity Adv. HD 2545W	Acuity Adv. HD 3545	Acuity Adv. HD 3545W	Acuity Adv. HD 2545 X2
Acuity Adv. HD 2545W X2	UV Star	UV Star II	UV Star Pro8	

**Gandi Innovations (Now Agfa)**

Jeti 1224 UV HDC	Jeti 1224 UV TF	Jeti 2030 UV	Jeti 2030 X-2 UV Conti.	Jeti 3348 Galaxy RTR
Jeti 3348 JetSpeed	Jeti 3150 UV	Jeti 3150 X-2 UV Flatbed	NanoJet UV	

**GCC**

Galaxy 3348	StellarJet 183UV	StellarJet 183UVK	StellarJet 250UV	StellarJet K72
-------------	------------------	-------------------	------------------	----------------

**Grapo /Gerber**

Solara Ion V	Solara Ion X	Solara UV2	Solara Z	Tech Manta UV
Tech Octopus I	Tech Octopus II			

**Hewlett Packard**

ColorSpan 5440 UV	ColorSpan 5445 UV	ColorSpan 5460 UV	ColorSpan 5465 UV	ColorSpan 9840 UV
Designjet H35000	Designjet H35100	Designjet H35500	Designjet H45000	Designjet H45100
Designjet H45550	Scitex FB 500	Scitex FB 910	Scitex FB 6100	Scitex FB 7600
Scitex FB 7500	Scitex TurboJet 8300	Scitex TurboJet 8500	Scitex TurboJet 8550	Scitex XP 2100
Scitex XP 2700	Scitex XP 2750	Scitex XP 5100	Scitex XP 5300	

**Inca Digital**

Eagle 44 UV	Eagle H	Spyder 320	Spyder 320 E	Spyder 320 Q
Spyder 320-8	Spyder 320+	Colombia Turbo	Onset S50i	Onset Q40i
Onset S40i	Onset S20i	Onset		

**IP&I**

Cube 1606 UV	Cube 1606S	Infiniti Fina 3360 UV	Infiniti Fina UV 160 Plus	Infiniti UV 1612S
--------------	------------	-----------------------	---------------------------	-------------------

**Jetrix**

2030FRK	2513FRQ	3015FQ	1212FK	
---------	---------	--------	--------	--

**Leggett and Platt**

Virtu 3600				
------------	--	--	--	--

**Lexjet / Digital Equipment Company**

Legend 72HUV				
--------------	--	--	--	--

**Matan**

Matan 4Q	Barak HS	Barak iQ	Barak 8Q	Barak 8QW
----------	----------	----------	----------	-----------

**Mimaki**

UJF-605	UJF-605CII	JF-1610	JF-1631	
---------	------------	---------	---------	--

**Mutoh**

Cobra S65 UV	Cobra S100 UV	Zephyr 65 UV		
--------------	---------------	--------------	--	--

**Nur**

Expedio 3200	Expedio 5000	Expedio Tempo Q	Tempo	Tempo I
--------------	--------------	-----------------	-------	---------

**Oasis Sign**

2506-GJ				
---------	--	--	--	--



**Océ**

Arizona 250 GT	Arizona 250 XT	Arizona 300 GT	Arizona 300 XT	Arizona 350 GT
Arizona 350 XT	Arizona 360 XT	Arizona 550 GT	Arizona 550 XT	Arizona T220UV

**Polytype Swiss Q-Print**

Oynx Flatbed	Oynx Oversize	Oynx Roll to Roll		
--------------	---------------	-------------------	--	--

**Printing Imaging Technologies**

FB-UV-2030	UV-XY-4	UV-UV-XY-5	UV-UV-XY-8	UV-UV-XY-10
------------	---------	------------	------------	-------------

**Raster Printers**

RP-720 UV	RP-720 UVZ			
-----------	------------	--	--	--

**Sky Jet**

241805-5C	241806-6C	301805-KMH	301807-7C	301808-4C
301808-5C	UV FlatMaster 2412	UV FlatMaster 2418	UV FlatMaster 3018	UV GlassMaster 3022

**Swiss Q-Print**

Qprint Impala	Qprint Oynx Flatbed	Qprint Oynx Oversize	Qprint Oynx Roll to Roll	
---------------	---------------------	----------------------	--------------------------	--

**Teckwin**

TeckSmart UV 1600	Tecksmart UV 2500	Tecksmart UV 3200	PQ300 Flatbed	TeckStorm TS300
TeckStorm TS600	Pro UV3200	Pro UV5000		

**Triangle Milano**

2054cS	2056cS	2504cS	2506cS	
--------	--------	--------	--------	--

**Vutek (Now EFI)**

PressVu UV	PressVu UV 180/360 EC	PressVu UV 180/600 EC	PressVu UV 320/400	PressVu UV 200/600
QS 2000	QS 3200	QS 3200r		

**Zund**

UVjet 215	UVjet 215-C	UVjet 215-Plus	UVjet 250	
-----------	-------------	----------------	-----------	--

Zünd • HP Scitex • Vutek • Raster • Fuji • Océ • Gandi •  
 Colorspan • Gerber • Mimaki • Durst

Whatever Printer you own, we are your source for powerful UV Bulbs!

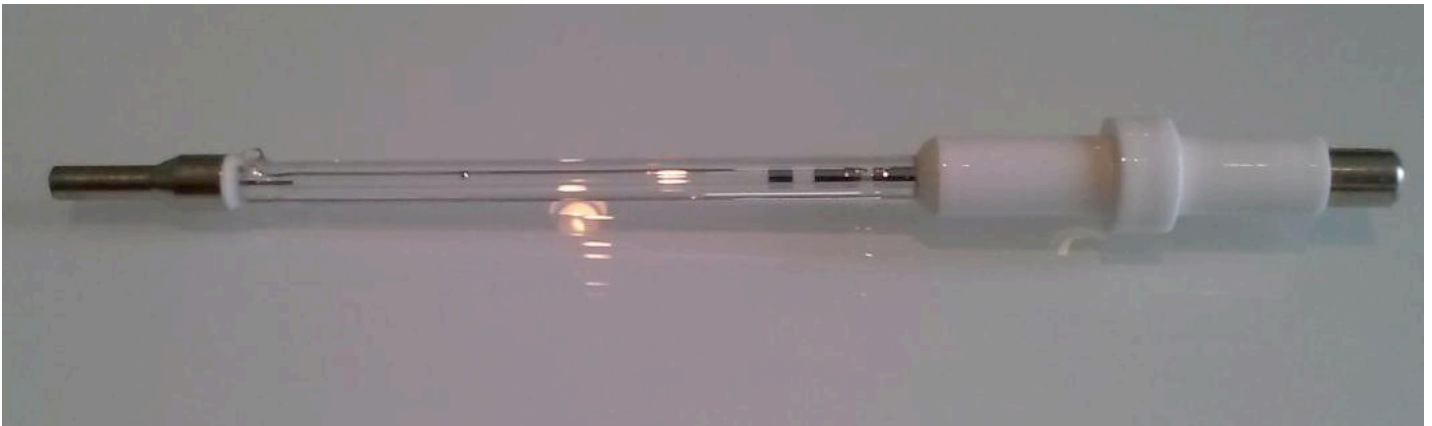


## Microwave / Electrodeless UV curing lamps for Fusion Equipment

Lamp Express produces microwave bulbs or more commonly Electrodeless UV lamps for use in various industries such as graphic arts, electronics, CD and DVD manufacturing, plastic forming and PCB Manufacturing. Electrodeless work by being irradiated with microwave energy rather than a current passing between the electrodes. Electrodeless bulbs have a mercury gas fill but other gases can be added to obtain various spectral outputs. We carry a complete cross reference for Fusion Lamps and also manufacture custom lamps to fit specific needs.

Equipment	Old Fusion #	New Fusion #	Length (mm)	Diameter (mm)	Gas Fill	Bulb Style
F300	205602	558432	152.4	9	Mercury	H bulb
F300	205601	558431	152.4	9	Mercury	H bulb
F300	40126	558437	152.4	9	Gallium	V bulb
F300	40124	558434	152.4	9	Iron	D bulb
F300	205608	558438	152.4	9	Indium	Q bulb
F300	40129	558439	152.4	9	Mercury	H bulb
HP6/F500	525632	558412	152.4	9	Mercury	H bulb
HP6/F500	525637	558417	152.4	9	Gallium	V bulb
F450/F455	274432	558492	254	9	Mercury	H bulb
F450/F456	274431	558491	254	9	Mercury	H bulb
F450/F457	274437	558497	254	9	Gallium	V bulb
F450/F458	274438	558498	254	9	Indium	Q bulb
F450/F459	274434	558494	254	9	Iron	D bulb
F600	213462	558472	254	13	Mercury	H bulb
F600	213461	558471	254	13	Mercury	H bulb
F600	213467	558477	254	13	Gallium	V bulb
F600	213468	558478	254	13	Indium	Q bulb
F600	213464	558474	254	13	Iron	D bulb
HP6/F500	525624	558394	152.4	11	Iron	D bulb
F450/F600	511004	558454	254	11	Iron	D bulb

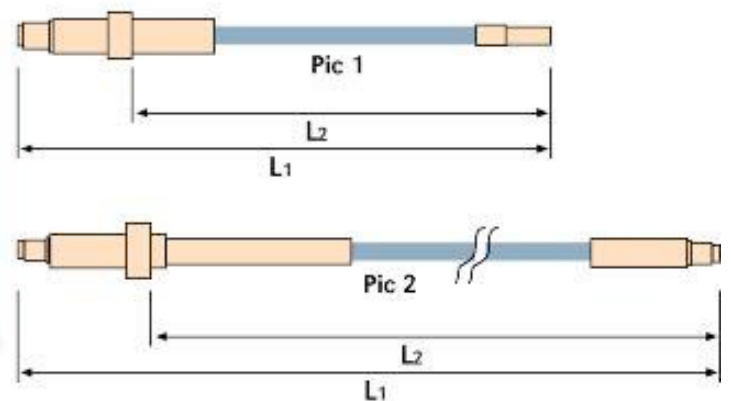
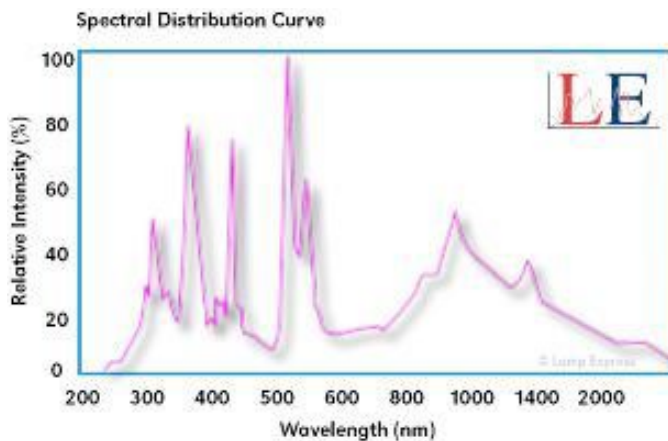
# Capillary Lamps



## Capillary Lamps for C-Sun , Colight , Dynachem , Fuji , Gyrex , Hi-Tek , Matrex , Mimir , ORC and Yumax

Lamp Express maintains a full inventory on high quality Mercury capillary lamps. These Mercury Capillary UV lamps are manufactured under the Bluetec brand with no sacrifice in quality. Our manufacturing process meets or exceeds the OEM standards. These lamps provide unsurpassed efficiency as they require no warming-up period for starting or restarting, and reach almost full brightness within a few seconds. They are available in a variety of arc lengths, radiant powers and mounting methods.

LE Code	Power (W)	Current (A)	Voltage (V)	Arc mm	Brightness
BT SMW-15	1,500	1.35	1150	45	35,000
BT SMW-20	2,000	1.50	1350	70	35,000
BT SMW-30	3,000	1.70	1,770	80	35,000
BT SMW-35	3,500	1.70	2,120	120	35,000
BT SMW-40	4,000	1.70	2,330	100	35,000
BT SMW-50	5,000	1.70	2,950	135	35,000
BT SMW-50U	5,000	1.70	2,950	135	35,000
BT TPI-30	3,000	1.70	1,770	90	35,000
BT TPI-40	4,000	1.70	2,350	125	35,000
BT TPI-50	5,000	1.70	3,050	135	35,000





## Highly Efficient Halogen Quartz Infrared Heaters for Countless Industrial Processes

Single Tube Halogen Infrared Lamps are used in countless heating and drying applications. Lamp Express is capable of manufacturing Infrared lamps in numerous configurations. No other lamp manufacturer offers the flexibility to meet your expectations. Our standard end fitting selection alone consists of ten different variations. Lamp Express has been able to source hundreds of Single Tube IR Lamps for many of our clients over the years. We carry lamps for personal, commercial and industrial use. Our single tube halogen lamps are manufactured under the Bluetec brand and we have direct fit replacements, identical to Dr. Fischer (Philips), Ushio, Osram/Sylvania, Hereaus, Italquartz, Toshiba, Eiko, GE and many more. In many cases Lamp Express can also source OEM lamps per our clients request.

## Technical Data for our Single Tube Lamps

Single Tube Lamp	Short Wave	Medium Wave	Carbon	Rapido
Max Power (W/cm)	< 200	35	80	200
Max Heated Length (mm)	1000	6000	1000	1000
Quartz Diameter (mm)	10 - 12	10 - 30	20	10 - 12
Filament Temp (°C)	1800 - 2400	800 - 950	1400 - 1800	1800 - 2400
Peak Wavelength (µm)	1.0 - 1.4	2.4 - 2.7	> 1.4	1.0 - 1.4
Surface Power (KW/m)	200	60	150	200
Response Time (s)	10	30 - 60	1 - 2	1 - 5

*\*Depending on configuration.*

## Standard Filament Options for our Halogen Infrared Lamps

### *Tungsten Filament*

These heaters are filled with halogen gas to allow the supported tungsten filament to reach temperatures as high as 2600°C (4712°F). With peak wavelength emissions of approximately 1 micron, they are extremely penetrative and allow rapid on/off cycles. These Filament Heaters are mainly active in the Short Wave Spectrum. This is the most standard version of all quartz heater lamps used in today's industrial and commercial applications.



## **Standard Quartz Finishes and Reflector Options** *(continued)*

### *Rapido Filament*

The rapido filament used in these heaters is a engineered coil, which can be operated at temperatures up to 1500°C (2732°F), with peak wavelength emissions of approximately 1.6 microns. It reaches top temperatures within seconds. As well as having excellent structural rigidity, this coil is designed to minimize light output and maximize IR emission thereby increasing IR radiant efficiency. These lamps are known for their Instant On/Off Technology

### *Carbon Filament*

The Carbon fiber infrared heat lamp is a continuation of the research and development invested into the rapido style lamp. Alternatives were needed for lamps with the same characteristics as a rapido but on a larger scale. At higher Watt density and voltages these Carbon Filament lamps have response times in terms of seconds. The carbon filament lamps is the most powerful and responsive lamp on the market.

## **Standard Quartz Finishes and Reflector Options**

### *Ruby Red and Helen Quartz*

Ruby quartz tubes functions primarily in the reduction of glare. The loss of infrared energy is minimal at 5%. Workers using Equipment where the IR radiation is visible will have a much better work environment with this alternative. Primarily in application such as Automotive Paint Drying, Plastic Preheating, Ink Drying. Due to the complete inward reflection of the Infrared Light by means of a 360 Degree Gold Reflector. Helen quartz technology is highly energy-efficient because they convert all the electrical power into heat, hardly any energy is wasted.

### *Aluminum Ceramic Coating*

The White Aluminum Ceramic Coating is a medium grade reflector that provides a significant increase in lamp output. The coating outlives the longevity of the lamp. In other words there is no wear on the reflectors performance during the lamp life. This also increases the production time.

### *Gold Reflector Coating*

The Gold reflector is a top of the line reflector with optimal characteristics. The gold coating offers maximum heat redirection and is unsurpassed by any other design. Corresponding with the aluminum ceramic reflector the gold coating does not wear prematurely during the actual lamp life. There is a superb increase in heating times.

## **Standard Quartz Finishes and Reflector Options**

Lamp Express can manufacture practically any single tube infrared lamp on the market. These are our standard lamp end fittings. There are countless more configuration we can manufacture. If your interested in having Lamp Express design OEM lamps for your company or possibly customize existing lamps, we are the solution. Please see our Lamp identification Data Sheet

# Single Tube Heat Lamps

www.lexusa.com | 1-888-539-8847 | sales@lexusa.com

We manufacture virtually all Halogen Quartz Heater lamps regardless of design. In this attachment you will find many of our OEM cross references. We engineer and design of custom quartz heater lamps per request. If you don't find your lamp here please call us.

## BLV Licht GmbH Cross Reference

310171	196101	191093	190703	311023
191705	196104	191099	190706	311011
196205	191305	310363	190708	190405
196291	190125	315563	190723	193585
311823	192901	198001	190796	311523
191505	193202	194226	197301	198202
190305	191005	194291	197391	198209
197702	191095	194292	196801	198985
195405	192601	194298	192701	195503
195429	192691	196791	194003	198301
195489	191003	311123	194007	199291
310510	191004	311223	194009	198401
192501	191009	192801	194026	198601
192504	191023	194126	194027	310123
192505	191024	194191	194029	194089
192507	191025	194192	194089	194093
192591	191029	194198	194093	194099
192509	191083	193992	194099	
192583	191085	196691	194501	

## Eiko Cross Reference

17000	17010	17022	17044	17006
17002	17012	17026	17046	17008
17004	17014	17028	17048	17016
17034	17036	17038	17050	17042
17030	17032	17040	17052	

## EYE Cross Reference

QIR115/125V300W	QIR240V600W	QIR200/220V1000W	QIR240V1000W/R7s	QIR240V2000W
QIR115/125V375W	QIR240V700W	QIR200/220V1000W/G	QIR240V1000W/L	QIR240V2000W/L
QIR120V500W	QIR240V700W/L	QIR220V1000W	QIR240V1500W	QIR480V2500W
QIR200/220V500W/G	QIR120V900W	QIR240V1000W	QIR240V1600W	QIR480V3650W

## General Electric (GE) Cross Reference

QH500T3/CL	QH1600T3/CL	QH2500T3/CL/7	QH1600T3/CL	QH2MT3/CL/VB
QH500T3/CL/7	QH1600T3/CL/7	QH2M/T3/1CL/HT	HH1035 230-240V 1500W	QH3650/CL/5
QH5M/T3/1CL/HT	QH1MT3/CL/MS-235V	QH2M/T3/1CL/HT/VB	HH210 500W CLEAR 230-240V	QH375T3/CL
QH1000T3/2CL/HT	QH1MT3/CL/R-235V	QH2M/T3/CL/HT	HH450 1000W RUBY 230-240V	QH375T3/CL/7
QH1000T3/CL	QH1MT3/CL/R/MS-235V	QH2MT3/CL/HT/R	HH451 1500W RUBY 230-240V	QH3800/CL
QH1000T3/CL	QH2500T3/CL	QH1200T3/CL	HH599 500W RUBY 230-240V	QH3800T3/CL/VB
QH1000T3/CL/1	QH1200T3/CL/HT	QH1600T3/CL	HH804 2000W RUBY 230-240V	

Product names, Trades names and Trademarks remain the property of their respective owner.

All of our lamps are Replacements and not Original Lamps, unless otherwise noted. Prices and specifications are subject to error / change without notice. Version 1.2

**E.Y.E Cross Reference**

IRS 230V / 500W	IRS 230V / 1000W	IRM 230V / 1500W	IRS 230V / 2000W	IRS 400V/2500W
IRS 230V / 500W	IRS 144V / 1200W	IRM 230V / 2000W	IRM 400V 2000W	IRS 400V / 2500W
IRS 230V / 1000W	IRM 230V / 1500W	IRS 230V / 2000W	IRS 230V / 2000W	IRS 400V 3000W

**Hereaus Cross Reference**

4513 1481	4513 1732	4513 1742	9751713	9751761
4513 1481	4513 1738	4513 1745	9751751	9751765
4513 1731	4513 1738	4513 1746	9751741	9751760
4513 1731	4513 1740	4513 1749	9751740	9751731
4513 1732	4513 1740	9751720	9751340	

**Osram / Sylvania Cross Reference**

ITT1200/235-0170	ITT500/235-08X0	ITT3000/400-0826K	ITT500/235-0870	RubyStar1300/235-0070
ITT2000/235-0103K	ITT1000/235-08X0	ITT3000/235-08Y0Z/K	RubyStar 1500/235-0028	RubyStar1500/235-0023
ITT2000/235-01Y0K	ITT1000/235-0826S	ITT2000/235-0826K/S	RubyStar1000/235-0023	
ITT2200/235-0102	ITT1200/235-0826	ITT2500/400-0826K	RubyStar1000/235-0028	
ITT3000/235-01Y0K	ITT1600/235-0826	ITT3000/235-01Y0Z/K	RubyStar1200/235-0028/PH	

**Philips / Dr. Fisher Cross Reference**

500T3	13214Z/98	13713Z/98	14137Z/98	2500T3
500T3/7	13230X	13713Z/98L	14142Z	2500T3/7
1000T3	13230X/98	13765X	14143Z/98	2500T3/CL
13168V	13245X	13765X/98	14144Z/98	3200T3/CL
13168V	13245X/98	13842Z	14155Z	375T3/7
13168X	13296C	13842Z	14157Z	3800T3
13168Z	13296C	13908R	14169Z	3800T3/CL/UB
13168Z/98	13296C2	13908Z	14173Z/98	13195Z/98
13168Z/98	13298C	13939F-V	14175Z	13213Z/98F
13169R	13393Z	13939F-V	14181Z	13214Z/98
13169X	13393Z	14103Z/98	14187Z/98	13713X
13169X/98	13561Y/00	14103Z/98	14188Z/98	13713X/98
13169Z	13561Y/98	14107Z	14189V	13713Z/98
13169Z/850	13561Z/98	14107Z/98	14190V	14134Z/98
13169Z/98	13565V	14107Z/98	14193Z/98	14135Z/98
13169Z/98	13565V	14117Z	14194Z/98	14136Z/98
13195X	13565X	14121Z/98	14482V	1600T3/CL
13195X/98	13568Y/00	14124Z	1600T3	17013Z/98
13195Z/98	13568Y/98	14132Z/98	1600T3/7	17018Z

**Toshiba Cross Reference**

JHC 235V 2000W 700 BfH	JHC 400V 2000W 410 BfU	JHS 230V 300W 60 IH	JHS 240V 700W 150 BfH1
JHC 235V 2500W 280 BfH3	JHC 400V 2000W 410 JH	JHS 230V 300W 60 RsH1-P	JHS 400V 2000W 280 BfU1
JHC 235V 2500W 280 BfU	JHC 400V 2000W 410 JU	JHS 235V 1000W 272 JU	JHS 400V 2000W 280 JU
JHC 235V 3000W 280 BfU	JHC 400V 2500W 280 BH	JHS 235V 1500W 280 BfH1	JHS 400V 2000W 410 JU
JHC 235V 3000W 280 JU	JHC 400V 2500W 315 BH	JHS 235V 1500W 385 RsH	JHS 400V 3000W 280 IU

**Toshiba Cross Reference ( continued )**

JHC 235V 3000W 700 BfH2	JHC 400V 3000W 280 BH	JHS 235V 2000W 280 BfU1	JHS 400V 3000W 280 JU
JHC 235V 500W 165 BfH1	JHC 400V 3000W 280 IU	JHS 235V 2000W 280 JU	JHS 400V 3000W 280 TU1
JHC 240V 1200W 406 BfH	JHC 400V 3000W 315 BH	JHS 235V 2000W 280 TU3	JHS 400V 3000W 410 JU
JHC 240V 1600W 406 BfH1	JHC 235V 2000W 280 BfU	JHC 240V 300W 165 BfH	JHC 400V 3000W 700 JU
JHC 400V 3000W 700 IU	JHC 235V 2000W 280 BfU4	JHC 240V 700W 150 BfH1	JHC 400V 4000W 700 BfH
JHS 235V 2200W 280 BfU1	JHC 235V 2000W 280 JU	JHC 400V 1000W 272 IU	JHC 400V 4000W 700 IU
JHS 400V 3000W 700 JU	JHC 235V 2000W 410 JH	JHC 400V 2000W 280 IU	JHC 400V 6000W 1000 BfH1
JHS 480V 6000W 290 TH1	JHS 235V 2200W 280 TU2	JHS 400V 4600W 236 TH	JHS 480V 6000W 245 TH
JHS 235V 500W 165 BfH	JHS 235V 3000W 280 JU	JHS 480V 2500W 635 JcH	JHS 480V 4600W 236 TH
JHS 235V 3000W 280 TU1			

**Ushio Cross Reference**

QIH104-600/S	QIH208-1600T/E	QIH240-1000R/VD3	QIH240-2000/ZH3	QIH400-3000/ZH
QIH105-500T/S	QIH208-1600T/S	QIH240-1000R/VD4	QIH240-2000/ZH5	QIH400-3000/ZH2
QIH115-1350/L	QIH216-900/S	QIH240-1000T/S	QIH240-2000R/D	QIH461-2400/S
QIH120-1000K/H	QIH220-1300/ZL	QIH240-1500/S	QIH240-2000T/S	QIH480-2500/L
QIH120-300T/S	QIH220-1350/L	QIH240-1500R/D	QIH240-2600R/D	QIH480-2500/S
QIH120-375T/E	QIH225-1500/S	QIH240-1500R/VD	QIH240-3000/S	QIH480-2500/VL
QIH120-375T/S	QIH225-1900/S	QIH240-1600/E	QIH240-3000/VC	QIH480-2500/VS
QIH120-500/B	QIH230-1200/ZH	QIH240-1600/L2	QIH240-500/D	QIH480-2500/ZH
QIH120-500/L	QIH230-1300/ZL	QIH240-1600/S	QIH240-500/ZD	QIH480-2500T/E
QIH120-500/S	QIH230-1500/E	QIH240-1600/S2	QIH240-500C/D	QIH480-2500T/L
QIH120-500/S2	QIH230-1500/ZL	QIH240-1600/VL2	QIH250-2200/C	QIH480-2500T/S
QIH120-500/ZB	QIH230-1600/ZH	QIH240-1600/VS	QIH277-1600/L	QIH480-3650/L
QIH120-500T/E	QIH240-1000/B	QIH240-1600T/E	QIH277-1600T/E	QIH480-3650/S
QIH120-500T/S	QIH240-1000/S	QIH240-1600T/L	QIH277-1600T/S	QIH480-3650/VS
QIH120-500T/S3	QIH240-1000/S2	QIH240-1600T/S	QIH384-3200/S	QIH480-3650T/L
QIH120-800T/S	QIH240-1000/S3	QIH240-2000/C	QIH400-1500/ZL	QIH575-2500/S
QIH120-850R/VD	QIH240-1000/VB	QIH240-2000/S	QIH400-2000/VB	QIH600-2500/L
QIH144-1200/S	QIH240-1000/VD	QIH240-2000/S2	QIH400-2000/ZB	QIH600-2500/VL
QIH144-1200/S2	QIH240-1000/VS2	QIH240-2000/VB	QIH400-2500/ZD	
QIH144-1600/S	QIH240-1000/VZD	QIH240-2000/VC	QIH400-2500/ZH	
QIH200-1000/VD	QIH240-1000/VZH	QIH240-2000/VC2	QIH400-2500/ZH2	
QIH200-1000/ZB	QIH240-1000/ZB	QIH240-2000/VS	QIH400-3000/B	
QIH200-1600/S	QIH240-1000/ZD	QIH240-2000/VZD	QIH400-3000/B2	
QIH208-1000T/S	QIH240-1000/ZH3	QIH240-2000/VZH	QIH400-3000/VZB	
QIH208-1600/L	QIH240-1000R/D	QIH240-2000/ZD4	QIH400-3000/ZD	

**Victory Lighting Cross Reference**

64243011	64241034	64241571	64382051	64243055
64243021	64241053	64241571	64382051	64383052
64245020	64241052	64241570	64402050	64233050
64245010	64241053	64241530	64242058	64383022
64255020	64241052	6424153k	64242052	64383022



### Victory Lighting Cross Reference ( continued )

64125050	64241027	6424153K	64242028	64403024
64245052	64241022	64141652	64242021	64243024
64245023	64241027	64141653	64242025	64483620
64125010	64241036	64141622	64382021	64573820
64125021	64141253	64231652	64382020	
64247022	64141252	64242070	64242025	
64118530	64231251	64242030	64242550	
64118530	64141222	64242052	64403052	
64248531	64241372	64242052	64402550	
64241030	64241332	64232022	64482500	

### Standard Ceramic and Metal End Fittings

Lamp Express can manufacture practically any single tube infrared lamp on the market. These are our standard lamp end fittings. There are countless more configuration we can manufacture. If your interested in having Lamp Express design OEM lamps for your company or possibly customize existing lamps, we are the solution. Please see our Lamp identification Data Sheet



**We manufacture any Infrared lamp and custom designed infrared lamps**

## Flash IR Lamps

At Lamp Express we are capable of manufacturing all Flash Cure Quartz Dryer lamps for screen printing shops. We offer lamps for Anatol, BBC, Calmat, Lawson, M&R, Quartz Express, sRoque, STS Industrial Solutions, Versi Flash and Workhorse Products. Our lamps are all manufactured under the Bluetec Label. We do not offer OEM lamps for these systems but we will save you money when you switch to our brand with no compromise in quality or performance.

### Anatol Flash Dryers

S960A0000999	S960A0000502	S960A0000155A	S960A0000183	S960A0000154
S960A0000085	S960A0000205	S960A0000202	S960A0000093	

# M&R IR and UV Lamps

M&R equipment is widely disbursed throughout the world. Such a large market calls for a large support staff. This in turn is overhead reflected back in pricing. At Lamp Express we keep our costs low and our prices for M&R lamps even lower. Feel free to contact us for Nuarc exposure equipment lamps, Infrared lamps for M&R Flash Cure systems but more importantly, UV Systems. Our lamps are build to the same specifications as their OEM counterparts, carry the same warranty and are manufactured by Bluetec for trouble free operation.

## M&R Infrared Lamp for Infrared Dryers and Flash Dryers

1007122	1007144	1007165	1007253	1007270
1007125	1007147	1007166	1007255	1007271
1007131	1007149	1007171	1007256	1007273
1007132	1007151	1007192	1007257	1007275
1007133	1007152	1007193	1007258	1007133A
1007134	1007154	1007202	1007259	1007205RP
1007135	1007158	1007210	1007260	1007210A
1007141	1007160	1007211	1007261	1007211A
1007142	1007162	1007251	1007262	1007252A
1007143	1007163	1007252	1007269	VE1276

## M&R Ultraviolet Lamp for UV Dryers and Screen Lines

1036024	1036115	1036171	1036001A	1036127A
1036028	1036116	1036172	1036002A	1036205A
1036029	1036117	1036173	1036002B	1036224B
1036054	1036127	1036177	1036003A	1036224C
1036073	1036130	1036205	1036010A	1036240A
1036074	1036131	1036239	1036087A	1036261A
1036075	1036132	1036257	1036087B	1036261C
1036081	1036160	1036259	1036087C	1036278A
1036089	1036163	1036000A	1036088A	1036279A
1036090	1036164	1036000E	1036088B	1036279E

## M&R Exposure Lamps for Platemakers

CN-42	HT-121	FFM/DXX	FS-90	PD-41
PM-78	JQ-30	LY-33	HE-15	KT-38
HT-28	NP-80	CU-71		



# PET IR Lamps

Replacement lamps for the Plastic Thermoforming Industry or P.E.T is one of our specialties. We carry infrared heat lamps for virtually all Plastic Forming Equipment on today's market. No matter who manufactured your equipment we have the lamp for you. We carry the highest quality lamps that meet or exceed the warranty and performance of the lamps your machines came with from the factory. Source your lamps from Lamp Express USA, Inc and never look back. We also carry an exclusive alternative to the expensive Sidel Eco Lamps.



## ADS Equipment Infrared Lamps

JHC235V1000W272BfU1	JHC235V2000W280BfU1	64241052	64242052
---------------------	---------------------	----------	----------

## Amsler Equipment Infrared Lamps

14107Z/98	JHC235V3000W700BfH2	64233050
-----------	---------------------	----------

## ADS Nissei Equipment Infrared Lamps

JHC220V1000W210BfH	JHC220V1500W350BfH	JHC220V2000W210BfH	64221058	64221558
64222058				

## Blowmax Equipment Infrared Lamps

JU400V2500WBPH1	JU400V3500WBPH1
-----------------	-----------------

## Bronco Equipment Infrared Lamps

13245X/98	13214Z/98	13393Z
-----------	-----------	--------

## Cincinnati Milacron Equipment Infrared Lamps

5030228	17002Z/98
---------	-----------

## Corpoplast Equipment Infrared Lamps

14134Z/98	14135Z/98	14136Z/98	14137Z/98	JHC235V2500W280BfH5
JHC235V1200W155BfH1	JHC235V1600W155BfH1	JHC235V2000W280BfH4		

## Husky Equipment Infrared Lamps

13213Z/98	13213Z/98F	JHC235V2000W280BH2	923854444534H	54242053
PV34620024CR				

## KHS Equipment Infrared Lamps

14134Z/98	14135Z/98	14136Z/98	14137Z/98	JHC235V2500W280BfH5
JHC235V1200W155BfH1	JHC235V1600W155BfH1	JHC235V2000W280BfH4		

## Krones Equipment Infrared Lamps

14143Z/98	14144Z/98	14134Z/98	14135Z/98	14136Z/98
14137Z/98	JHC235V1200W155BfH1	JHC235V1600W155BfH1	JHC400V2500W280BH	JHC400V3000W280BH
QH230-1200/ZH	QH230-1600/ZH	64242052	54242053	64231251

## Sidel Equipment Infrared Lamps

14192/LRP	14111Z/98	14106Z/98	13213Z/98	JHC240V1100W165BH
JHC235V2000W280BH2	JHC400V2500W315BH	JHC400V3000W315BH	54242053	64402555
64403055				

**Sig and Krupp Equipment Infrared Lamps**

14134Z/98	13561Z/98	13561Y/98	14135Z/98	13568Z/98
13568Y/98	14136Z/98	14137Z/98	JHC235V1200W155BfH1	JHC144V1200W155BfH1
JHC144V1200W155JcH	JHC235V1600W155BfH1	JHC144V1600W155BfH	JHC144V1600W155JcH	JHC235V2000W280BfH4
JHC235V2500W280BfH3	64231251	64141252	64141253	64231652
64141653	64141652	54242053	64242550	

**Sipa Equipment Infrared Lamps**

14103Z/98	13214Z/98	14121Z/98	14107Z/98	JHC235V2000W286BfH
JHC235V2000W280BfH	JHC230V2000W500BfH	JHC235V3000W280BH	JHC235V3000W700BfH2	54242053
64232022	64243055	64233050		

**Side Equipment Infrared Lamps**

13195Z/98	13213Z/98	JHC235V1000W280BfH	JHC235V2000W280BfH	64241052
64242052				

**SMI Equipment Infrared Lamps**

JHC400V2500W500NH	JHC400V3000W500NH	64402556	64403054
-------------------	-------------------	----------	----------

**Tetra Pak Equipment Infrared Lamps**

TTPK-2000-235
---------------

**We can stock and manufacturer additional lamps for listed equipment manufactures below:**

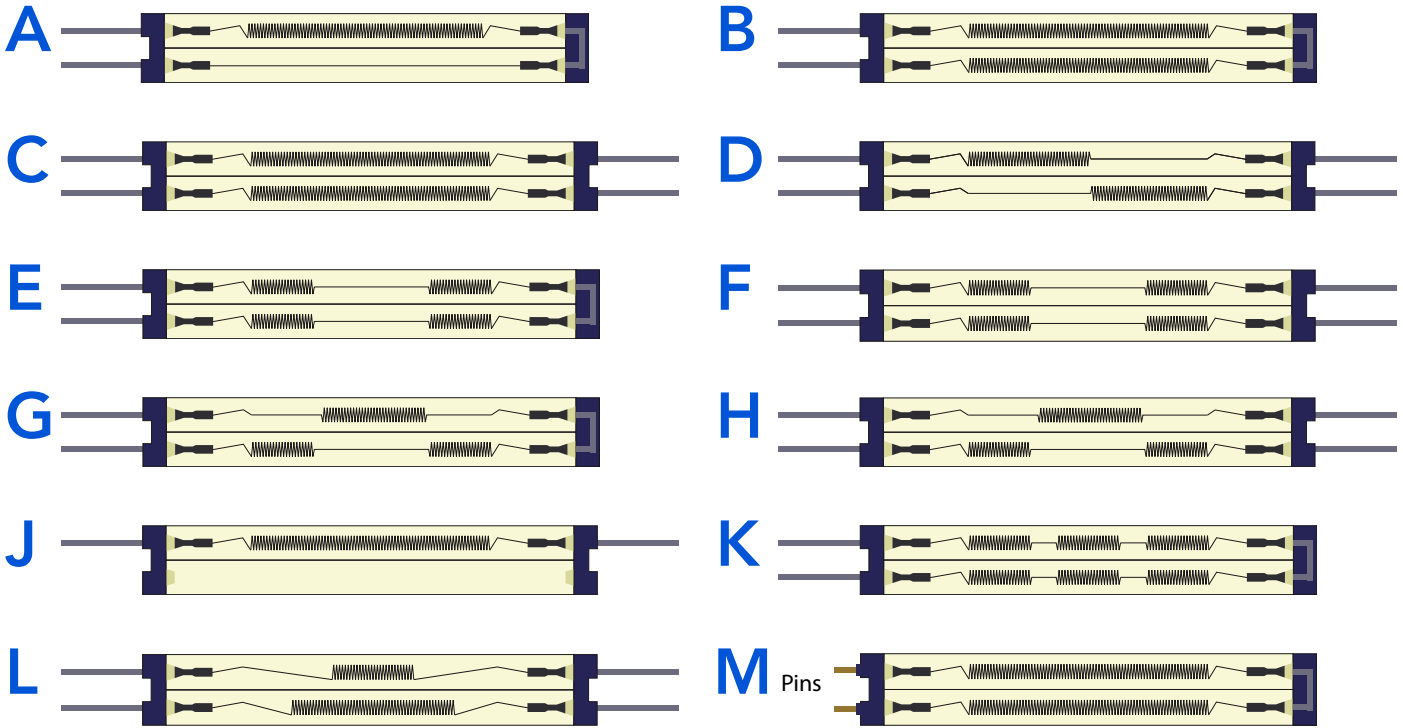
AOKI	Automa	Battenfeld Fischer	Bekum	Chanshengda
Fischer Mueller	Graham	Hartig	Hayssen	Heins
Impco	Jomar	JSW	Kautex	Leshan
Lyle	MTM Systems	Rock Valley	Sterling	Toyo
Uniloy				



**Is your equipment manufactured in Asia?                      Having Trouble getting the lamps you need?**

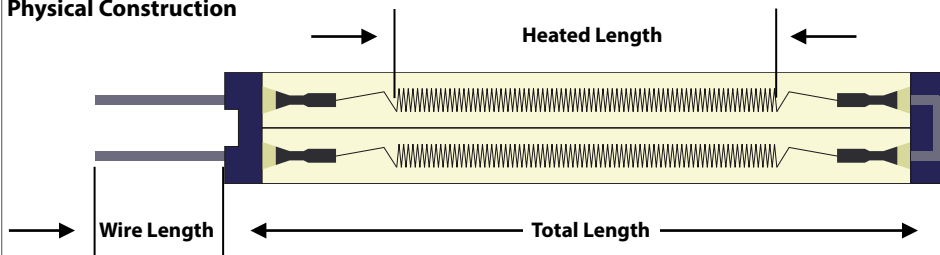
**Call us 888-539-8847 we can custom manufacture any lamp for your equipment.**

# Twin Tube Specification Sheet



Please email the completed form to [sales@lexusa.com](mailto:sales@lexusa.com) or call us @ 1.888.539.8847 with any questions.

## Physical Construction



This is standard selection of our most popular products. We can manufacture any lamp on today's market. If your lamp does not match these designs please call us at 1.888.839.8847. We will require a photo.

Machine Make / Model / Year: \_\_\_\_\_ / \_\_\_\_\_ / \_\_\_\_\_

Lamp Part Number or Description: \_\_\_\_\_ (Req.)

Lamp Type: \_\_\_\_\_ (Select From Above) Volts: \_\_\_\_\_ Watts: \_\_\_\_\_ Total Length: \_\_\_\_\_ mm

Heated Length: \_\_\_\_\_ mm Wire length, L: \_\_\_\_\_, R: \_\_\_\_\_ mm Wire Gauge: \_\_\_\_\_ AWG or mm

Filament Style:  Tungsten ( Silver )  Carbon ( Black )



Reflector Coating:  None  Gold  White Reflector Design:  None  180°  270°

Cross Section: Y= \_\_\_\_\_ mm  
X= \_\_\_\_\_ mm

Wavelength Style:  Short Wave  Medium Wave

Fast Medium Wave  Long Wave

Special Notes: \_\_\_\_\_

Reference#

Product names, Trades names and Trademarks remain the property of their respective owner.

All of our lamps are Replacements and not Original Lamps, unless otherwise noted. Prices and specifications are subject to error / change without notice. Version 1.2



# Single Tube Specification Sheet



Attn to: \_\_\_\_\_

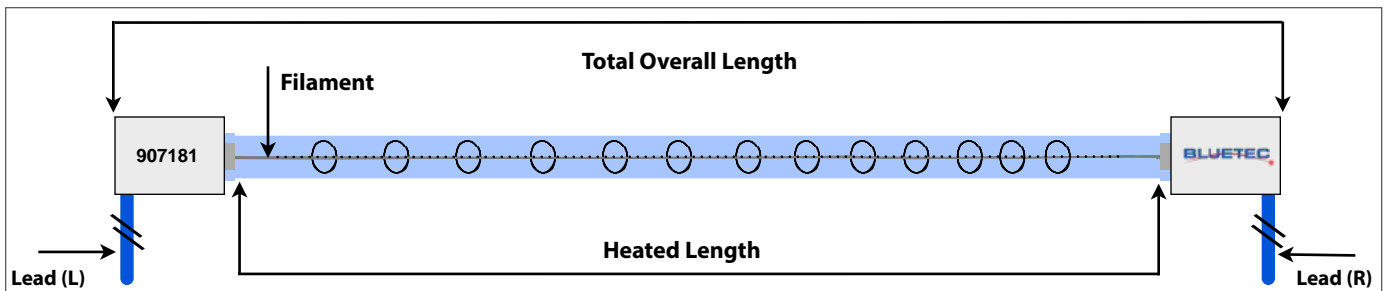
Phone/Fax: \_\_\_\_\_ / \_\_\_\_\_

Company Name: \_\_\_\_\_

This is standard selection of our most popular products. We can manufacture any lamp on todays market. If your lamp does not match these designs please call us at 1.888.839.8847. We will require a photo.



Please email the completed form to [sales@lexusa.com](mailto:sales@lexusa.com) or call us @ 1.888.539.8847 with any questions.



Machine Make / Model / Year: \_\_\_\_\_ / \_\_\_\_\_ / \_\_\_\_\_

Lamp Part Number or Description: \_\_\_\_\_

Lamp Type: \_\_\_\_\_ (Select Socket Style) Volts: \_\_\_\_\_ Watts: \_\_\_\_\_ Quartz Diameter: \_\_\_\_\_ mm

Lead length, L: \_\_\_\_\_, R: \_\_\_\_\_ mm Total Length: \_\_\_\_\_ mm ( Call if X-Clip) Heated Length: \_\_\_\_\_ mm

Wire Gauge: \_\_\_\_\_ AWG or mm Reflector Style:  None  Gold  White

Quartz Style:  Clear  Frosted  Ruby Red  Helen (Gold 360°)  Other: \_\_\_\_\_

Filament Style:  Tungsten  Carbon Coil  Rapido Wavelength:  Medium Wave  Short Wave



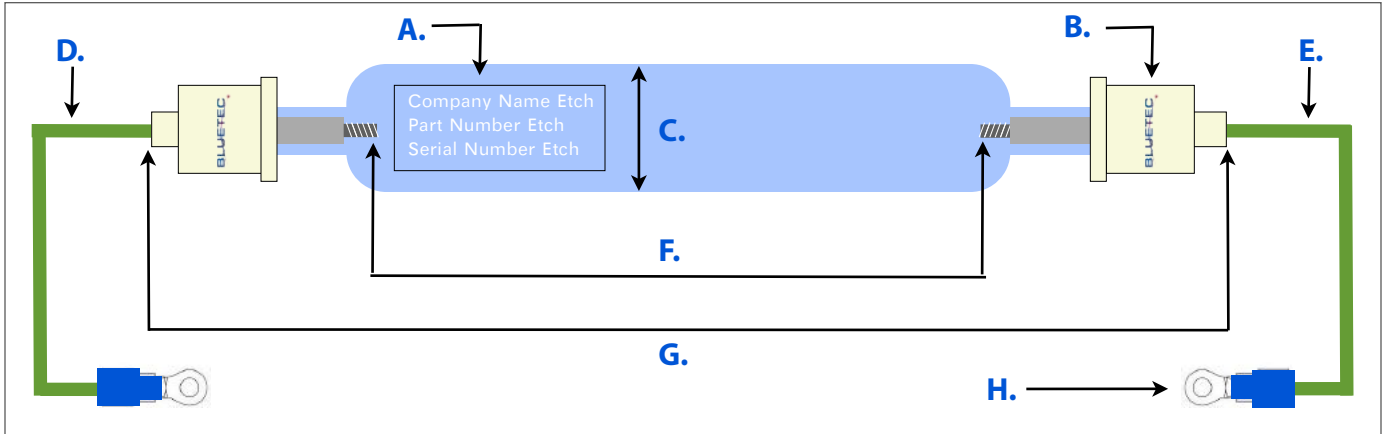
Reference#:

Product names, Trades names and Trademarks remain the property of their respective owner.

All of our lamps are Replacements and not Original Lamps, unless otherwise noted. Prices and specifications are subject to error / change without notice. Version 1.2



# UV Lamp Specification Sheet



Your Name: \_\_\_\_\_  
 Your Phone/Fax: \_\_\_\_\_ / \_\_\_\_\_  
 Your Email: \_\_\_\_\_  
 Your Company Name: \_\_\_\_\_

## Lamp Express USA, Inc.

P.O. Box 812080 Boca Raton, FL 33481-2080  
 Phone / Fax 888-539-8847  
 International Phone/Fax: +001(1)561-336-2928  
 Email: [sales@lexusa.com](mailto:sales@lexusa.com) Web: [www.lexusa.com](http://www.lexusa.com)

Please email the completed form to [sales@lexusa.com](mailto:sales@lexusa.com) or call us @ 1.888.539.8847 with any questions.

## UV Lamp Equipment Details

Machine Make / Model / Year: \_\_\_\_\_ / \_\_\_\_\_ / \_\_\_\_\_

Lamp Part Number or Description: \_\_\_\_\_

## UV Lamp Electrical Details

Volts: \_\_\_\_\_ V      Watts: \_\_\_\_\_ W      Amps: \_\_\_\_\_ A

## UV Lamp Physical Details

**A. Lamp Etching Requirements:** *(Only available for our Resellers.)*

Company Name Etch \_\_\_\_\_ (9 digits max)      Part Number Etch \_\_\_\_\_ (9 digits max)

*Our Serial numbers are always etched on all lamps in order to identify warranty claims.*

**B. Lamp Ceramic or Metal End:** \_\_\_\_\_ *(Select Socket Style from the Pictures Below)*

**C. Outer Quartz Tube Diameter:** \_\_\_\_\_ mm      **D. Lead Wire length, Left:** \_\_\_\_\_ mm

**E. Lead Wire length, Right :** \_\_\_\_\_ mm      **F. Total Overall Length:** \_\_\_\_\_ mm

**G. Arc Length:** \_\_\_\_\_ mm      **Bluetec Eco Version:**  *( Select for environmentally friendly Eco version of this lamp)*

**H. Terminal Style:**

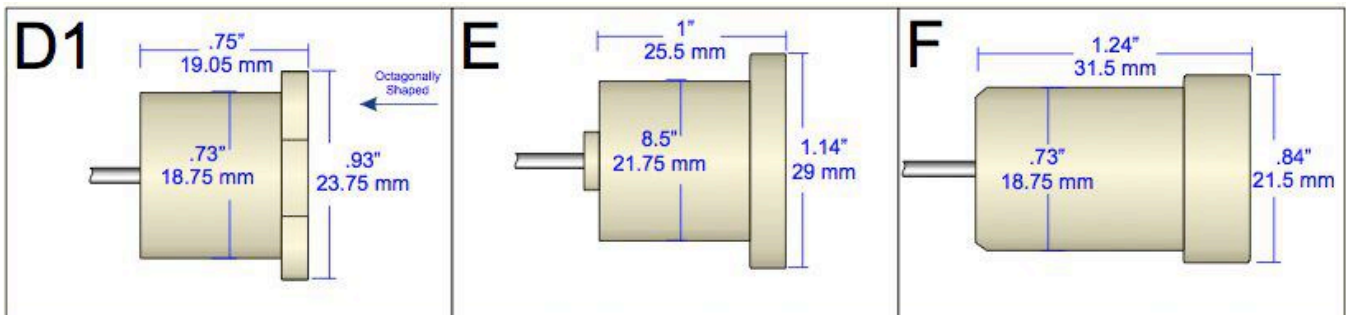
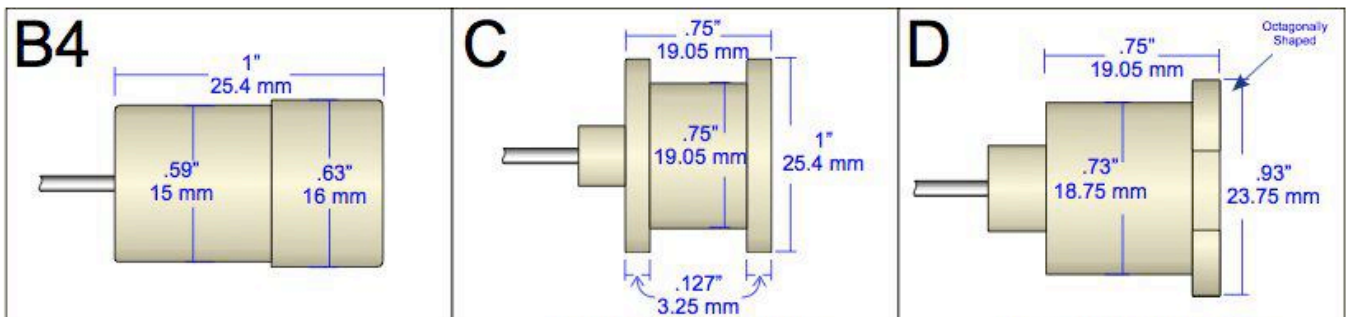
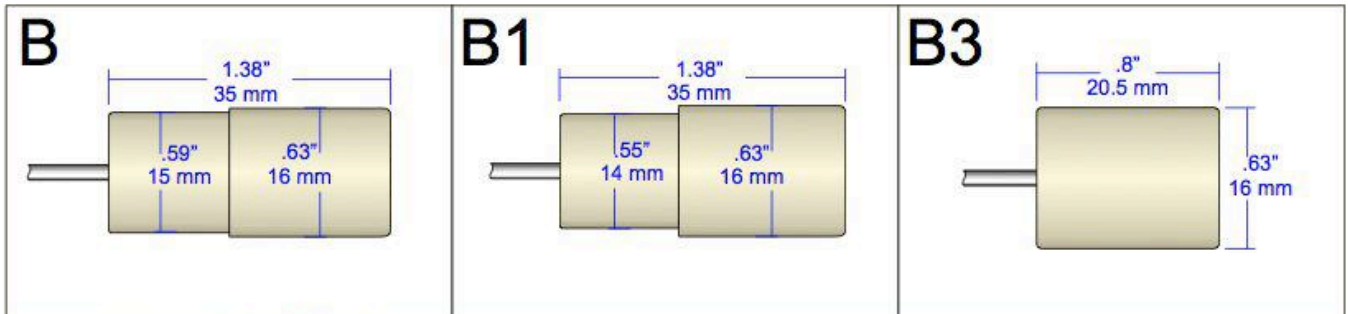
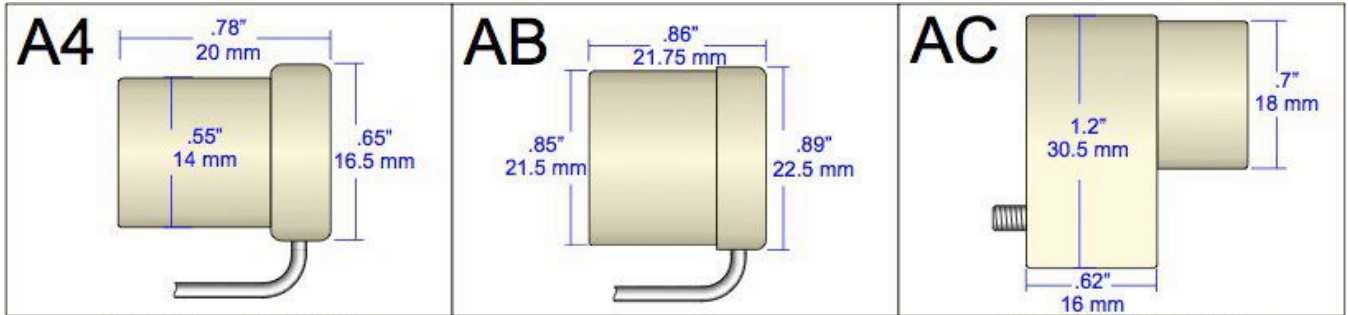
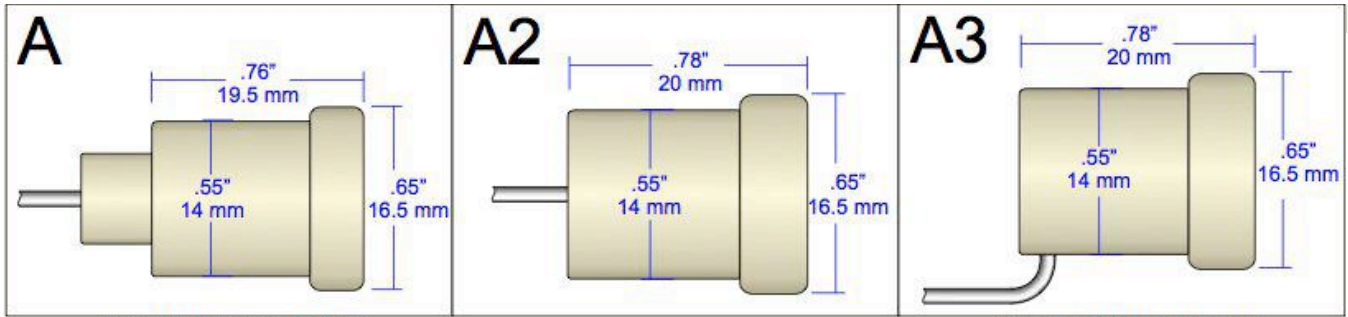
*(Check One)*



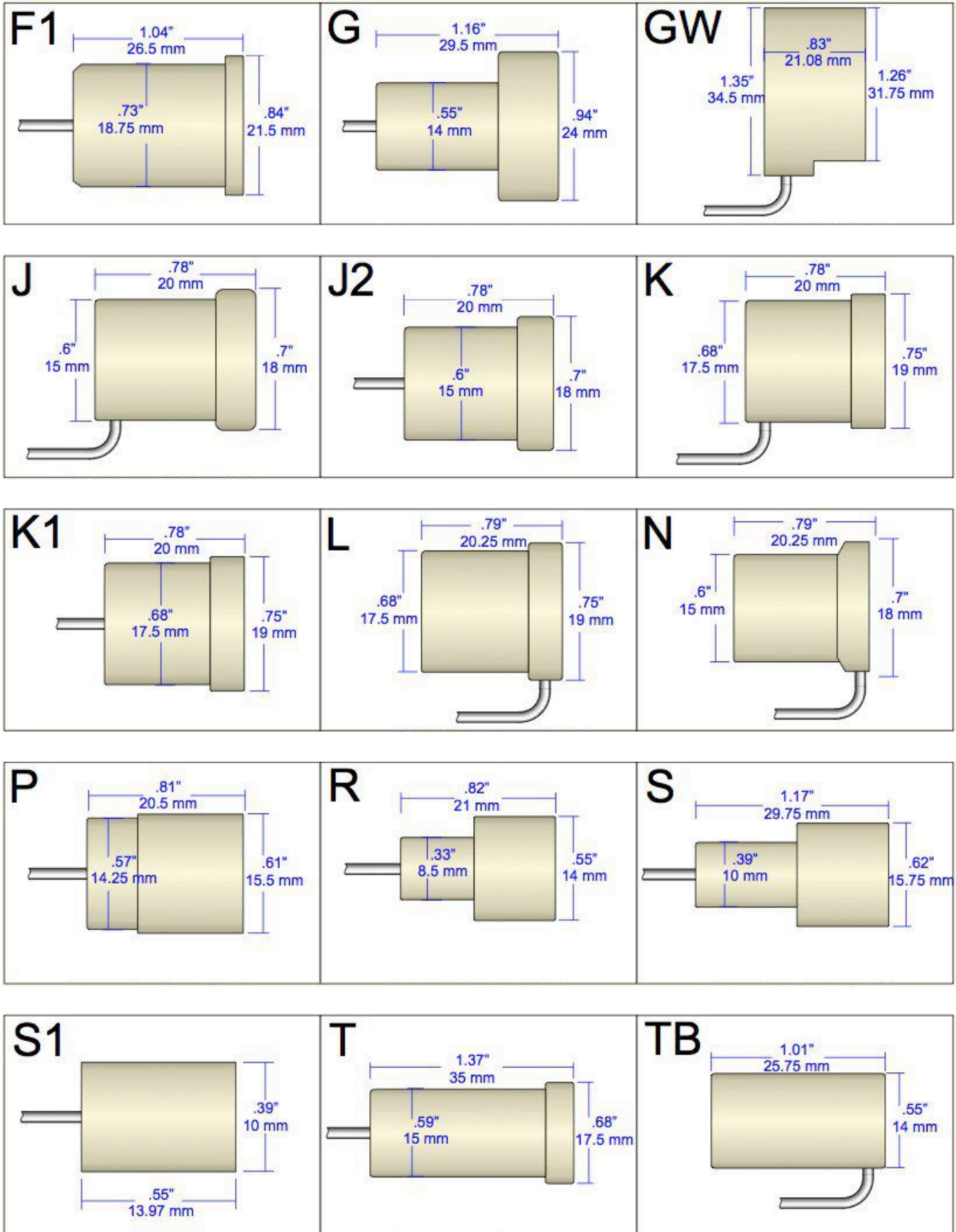
Product names, Trades names and Trademarks remain the property of their respective owner.

All of our lamps are Replacements and not Original Lamps, unless otherwise noted. Prices and specifications are subject to error / change without notice. Version 1.2

# UV Lamp End Cap Styles



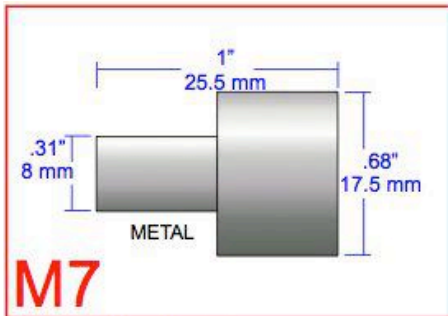
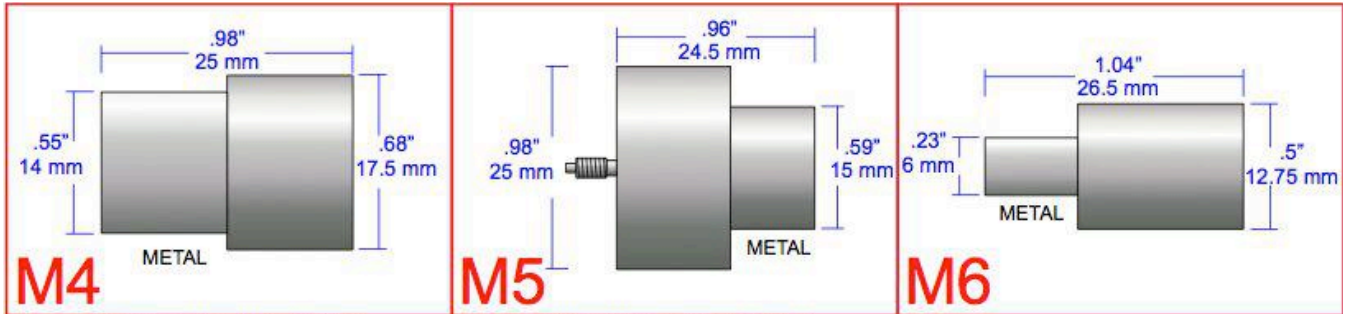
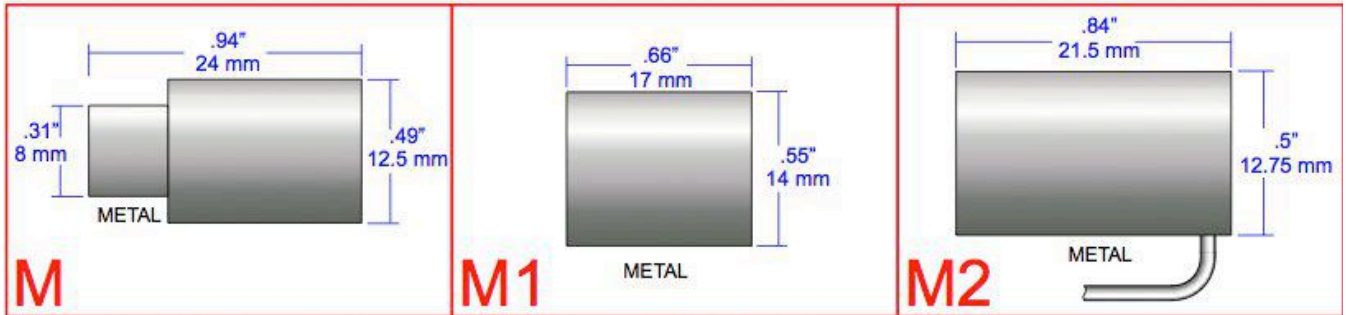
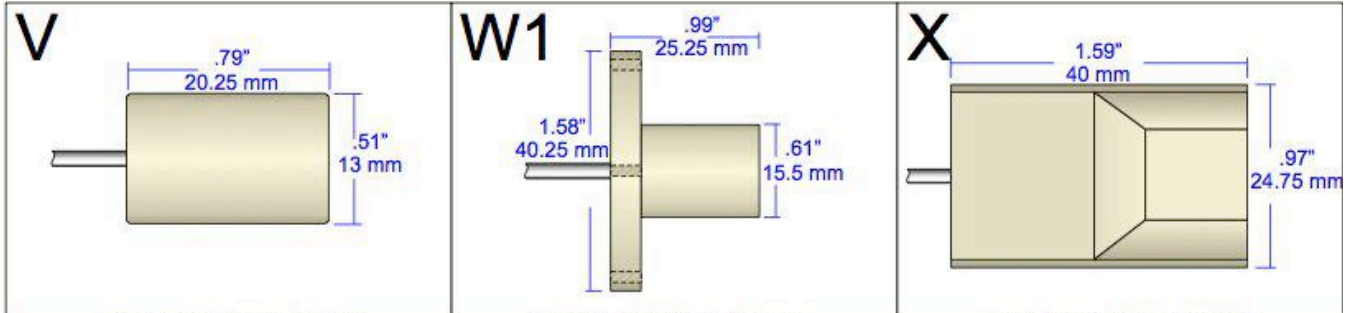
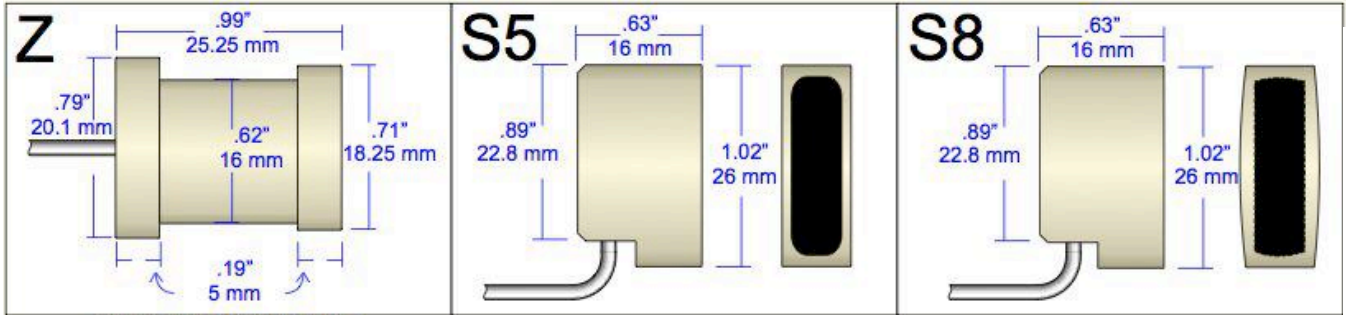
# UV Lamp End Cap Styles



Product names, Trades names and Trademarks remain the property of their respective owner.

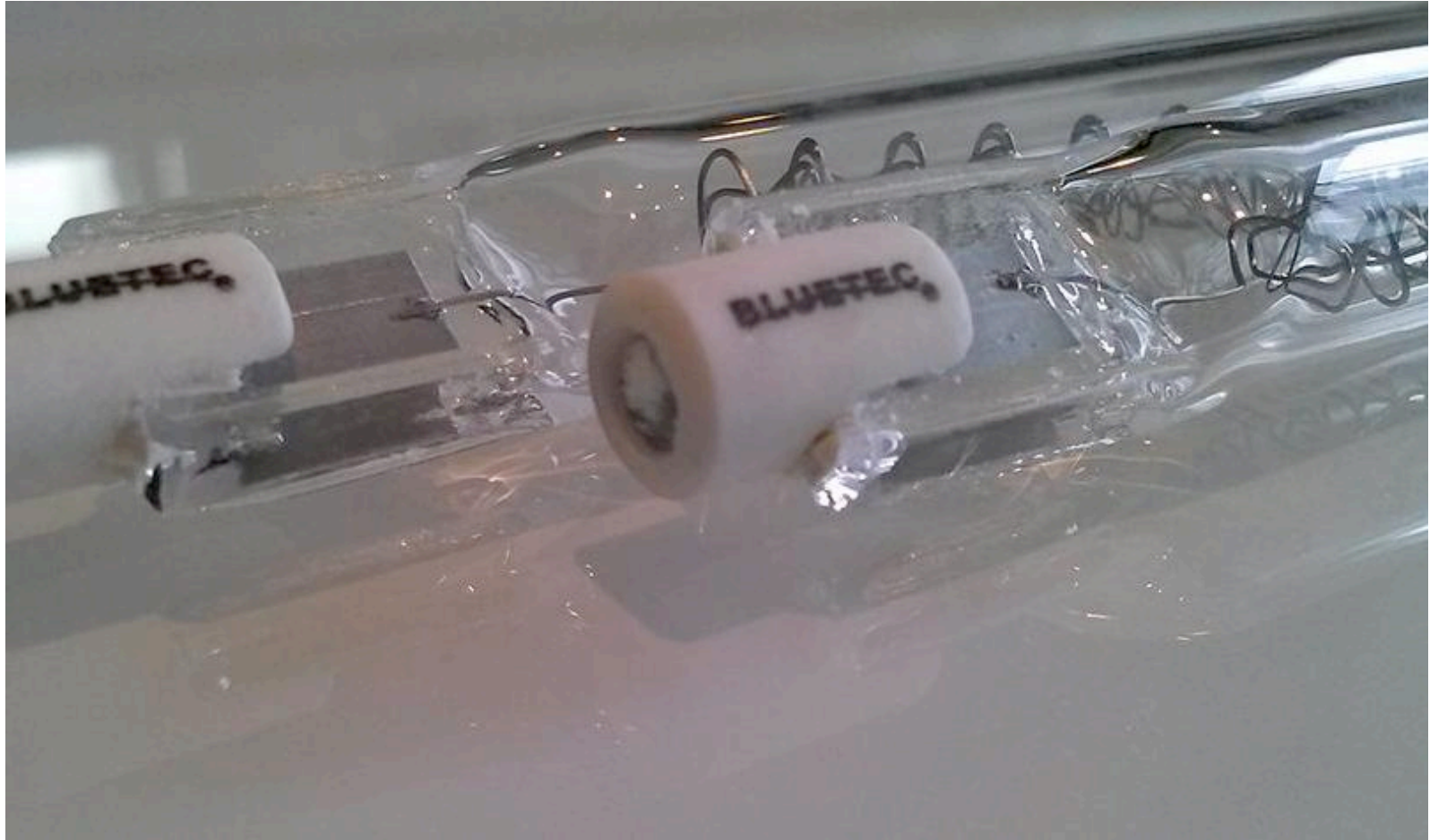
All of our lamps are Replacements and not Original Lamps, unless otherwise noted. Prices and specifications are subject to error / change without notice. Version 1.2

# UV Lamp End Cap Styles



**If your end cap is not listed. Please describe it in this field. Listed are the most popular end caps we carry, there are many more available:**





## YOUR ULTRAVIOLET AND INFRARED SPECIALIST



Distributed By Our Authorized Reseller: